



PREVENT SRL (Milano)

CF & PI 12915850965



ASSOLOMBARDA
Filiera Life Sciences

Who We Are

The Company's Exclusive Or Predominant Purpose Is The Development, Production And Marketing Of Innovative Products Or Services With High Technological Value Technology And In Particular

(A) Development, Production, Marketing, Study Of, Research And Research And Experimentation On, Medical Devices, Robotic And Robotic And Rehabilitation Products And Instruments, And All Those Products That Are Related Or Are Of Interest In The Rehab Field And Related Sectors With A High Tech Content;

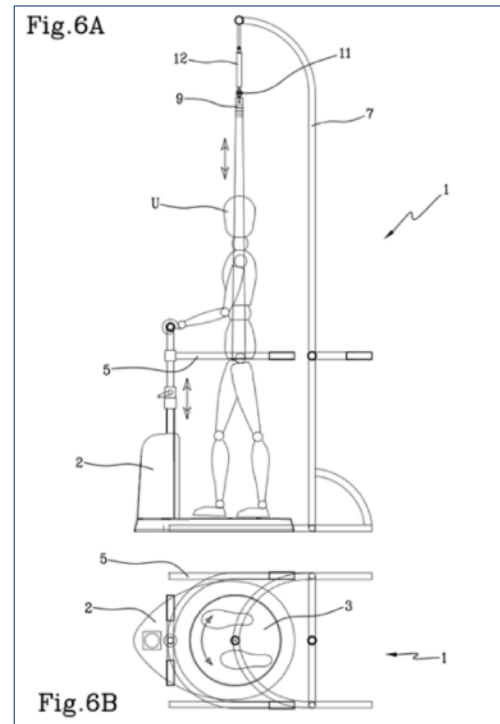
(B) Design, Realisation, Trade And Research Of Implants And Related Technologies In The Aforesaid Fields Of Activity

(C) Manufacture, Installation, Commissioning And Subsequent Maintenance Of Medical Equipment Services For Its Own Account And For Third Parties

(D) Consulting, Design, Clinical Trials And Technology Transfer Also For National And International Bodies Or Companies Of Medical And Robotic Technological Solutions Or Innovative Services With High Technological Content.

Product description

The device consists of a rotating horizontal disc on which the subject 'walks in place' with head and trunk stabilised in space by the grip of a fixed handrail. This device is able to train the rotational movements of the lower limbs that normally occur when walking in curved trajectories and allow the learning (or re-learning) of the underlying neuromuscular coordination. The relevant European patent application was filed on 26 Apr 2023 under No. 23169980.2 for: Device for Physiotherapy Treatments and prototype production and certification is underway.



The Figure belongs to the Patent filing

Tel.: 335.8000431

marco.schiepatti@icloud.com

www.step-turn.eu (in costruzione)