

NON-CONFIDENTIAL VERSION

**PETITION
FOR IMPOSITION OF
SAFEGUARD DUTIES
ON IMPORTS OF
CERTAIN SEAMLESS PIPES AND TUBES**

**REPRESENTING:
ISMT LTD. AND JINDAL SAW LTD**

THROUGH



***Economic Laws Practice
Advocates and Solicitors***

Ahmedabad • Delhi • Mumbai • Pune

| | |
|--|--|
| 1502, A Wing, Dalamal Towers, Nariman Point, Mumbai – 400021 Tel: +91 22 66367000 | 405, World Trade Centre, Barakhamba Lane, New Delhi – 110001 Tel: +91 11 41528400 |
|--|--|

Table of Contents

Information to be provided in an Application for Safeguard Investigation

| | |
|------------------|---|
| Section 1 | General Information |
| Section 2 | Product in respect of which increase in imports is noticed |
| Section 3 | Increased Imports |
| Section 4 | Domestic Production |
| Section 5 | Injury |
| Section 6 | Cause of Injury |
| Section 7 | Submissions |
| Section 8 | Annexes |

SECTION 1: GENERAL INFORMATION

1. **Date of Application:** November 26, 2012

2. **Applicant(s):**

The Applicants are:

1. ISMT Limited

Address:

Lunkad Towers,
Viman Nagar,
Pune - 411 014
Tel. : +91 20 41434100
Fax : +91 20 26630779

2. Jindal SAW Ltd.,

Address:

Jindal Centre,
12 Bhikaiji Cama Place,
New Delhi 110066
Phone: +91 (11) 26188345, 26188360-74
Fax: +91(11) 26170691

3. **Domestic Producers of the like or directly competitive products on whose behalf the application is filed (Give details of all domestic producers who support the application).**

Apart from the Petitioners listed above, This Petition is supported by:

Maharashtra Seamless Ltd. ("MSL")

Address:

Jindal Corporate Centre
Plot No 30, Institutional Sector-44,
Gurgaon – 122001
Haryana (India)
Tel. : +91 124 2574325 / 26, 4624000
Fax : +91 124 2574327

4. Information on production accounted for by the domestic producers of the like or directly competitive products (in respect of those domestic producers who support the application).

A statement is enclosed with the present petition at (“**Annexure 1**”). It can be clearly seen that the Petitioners along with the supporting domestic producer forms more than 80% share of the total produced of the total production of the said article in India. Since the Petitioners constitute majority share of the domestic production, they are eligible to be called “Domestic Industry” of the subject goods as defined under Section 8B(6) of the Customs Tariff Act, 1975 to file this petition.

5. Information on the total domestic production of the product concerned of the like or directly competitive products (in respect of all producers whether they support the application or not).

A statement is enclosed with the present petition at (“**Annexure 1**”). It can be clearly seen that the Petitioners are majority producers of the domestic production of the Product under consideration in India.

**SECTION 2: PRODUCT IN RESPECT OF WHICH INCREASE IN IMPORTS
ALLEGED**

1. Name of the product.

The product under consideration is defined as under:

“Tubes, Pipes and Hollow Profiles, Seamless of iron, alloy or non-alloy steel (other than cast iron and stainless steel), whether hot finished or cold drawn or cold rolled, of an external diameter not exceeding 273.1 mm (O.D) with the tolerances as specified under relevant standards, (hereinafter referred to as “the subject goods” / “product under consideration”) excluding:

- 1. Seamless alloy-steel pipes, tubes and hollow profiles of specifications of ASTM A213/ASME SA 213 and ASTM A335/ ASME SA 335 or equivalent BIS/DIN/BS/EN or any other equivalent specifications*
- 2. Non-API and Patented Premium Joints / Premium Connections / Premium Threaded Tubes & Pipes of grades Q-125, 13CR, L-80, P110, C-90, C-95, T-90 & T-95 .*
- 3. All 13 Chromium (13CR) Grade Tubes and Pipes not included in (2) above and*
- 4. Drill Collars*

The excluded alloy-steel pipes and tubes of the specifications as defined by ASTM A213/ASME SA 213 and ASTM A335/ASME SA 335 and equivalent BIS/DIN/BS/EN specifications are used in high-temperature requirements for power generation/boilers/super heaters/heat exchangers, etc. The standards, specifications and the equivalent grades are enclosed herewith as (“**Annexure 2**”). For other excluded products listed under serial nos. 2, 3 and 4 mentioned above, there are no standard equivalent grades.

2. **Description: Provide full description of the product including chemical formula, grade constituent materials / Components, process of manufacture in brief, uses and inter-changeability of various grades, etc.**

The product under consideration is defined above.

Description:

Seamless tubes are hollow sections made of steel bars / billets and are produced by hot rolling technology and cold-drawn technology

Chemical formula / Physical properties/ Grade constituent materials

The tubes & pipes are manufactured in consonance with various reputed international standards and tube specifications like API / ASTM / ASME / BS / JIS / DIN / EN etc. These specifications specify chemistry and mechanical properties of the product. Based on these requirements, the steel billet grade is decided by the manufacturer. The manufacturing route such as hot finished or cold finished/cold drawn is used to arrive at the final properties required by the specification.

Categories & Uses

Due to their varied uses, Seamless Pipes find usage in various critical applications and sectors some of which are as follows:

- Oil & Gas Exploration and Exploitation
- Refineries & Petrochemicals
- Fertilizer plants
- Steel Plants
- Bearing
- Automobile
- Railways
- Defense
- Power

The product under consideration includes boiler & line pipes used in hydrocarbon industry and casing & tubing of a kind used in drilling for oil and

gas exploration. Seamless tubes are used where strength, resistance to corrosion and product life is very crucial.

Seamless Casing, Tubing and Drill Pipe are also specifically used in the critical extraction of Crude Oil and Gas from offshore reserves as well as from onshore reserves. Seamless Line pipes/ Flow Lines are used in hydrocarbon processing industry, Refineries and Petrochemical Industries

Process of Manufacture

There are two different manufacturing processes for making a seamless tube.

1. The hot finished tube can be made using an Assel Mill / PQF Mill / Plug Mill/ CPE technology
2. The processes of cold drawing & cold pilgering are used after hot finishing process to achieve closer tolerances, surface quality & mechanical and metallurgical properties.

The process of manufacture is enclosed herewith under (**“Annexure 3”**).

Inter-changeability of various grades

Some of the non-alloy / alloy grades of steel can be allowed to use for a different specification if the properties required in such a specification are achievable by a combination of steel grade and process route. However this is always done with prior approval from the buyer. The alloy steel grades under SA 213 & SA 335 and other excluded products listed under Serial Nos. 2, 3, 4 under the Product under Consideration mentioned above are not inter-changeable.

- 3. Tariff classification: Provide the classification of the product under the HS classification as well as Indian customs Tariff Classification at 6/8/10 digit level.**

Seamless Pipes and Tubes are classified under Customs sub-heading No. 73.04 of Chapter 73 of the Customs Tariff Act, 1975. An indicative list of the various classifications under which the product under consideration may be classified into is provided below as the product under consideration is imported under different 6/8/10 digit level classification.

| Tariff Item | Description |
|-------------|---|
| 7304 | Tubes, pipes and hollow profiles, seamless, of iron (other than cast iron) or steel |
| | - <i>Line pipe of a kind used for oil and gas pipelines:</i> |
| 7304 19 | - <i>Other:</i> |
| 7304 19 10 | - Tubes and pipes |
| 7304 19 20 | - Blanks for tubes and pipes |
| 7304 19 90 | - Other |
| | - <i>Casing, tubing and drill pipe, of a kind used in drilling for oil or gas:</i> |
| 7304 23 | - <i>Other drill pipe:</i> |
| 7304 23 10 | - Of iron |
| 7304 23 90 | - Other |
| 7304 29 | - <i>Other:</i> |
| 7304 29 10 | - Of iron |
| 7304 29 90 | - Other |
| | - <i>Other, of circular cross-section, of iron or non-alloy steel:</i> |
| 7304 31 | - <i>Cold-drawn or cold-rolled (cold-reduced):</i> |
| | - <i>Up to 114.3 mm outer diameter:</i> |
| 7304 31 11 | - Of iron |
| 7304 31 19 | - Other |
| | - <i>Above 114.3 mm but up to 219.1 mm outer diameter:</i> |
| 7304 31 21 | - Of iron |
| 7304 31 29 | - Other |
| | - <i>Above 219.1 mm diameter:</i> |
| 7304 31 31 | - Of iron |
| 7304 31 39 | - Other |
| 7304 39 | - <i>Other:</i> |
| | - <i>Up to 114.3 mm outer diameter:</i> |
| 7304 39 11 | - Of iron |
| 7304 39 19 | - Other |
| | - <i>Above 114.3 mm but up to 219.1 mm outer diameters:</i> |
| 7304 39 21 | - Of iron |
| 3704 39 29 | - Other |
| | - <i>Above 219.1 mm diameter:</i> |

| | |
|------------|--|
| 7304 39 31 | - Of iron |
| 7304 39 39 | - Other |
| | - <i>Other, of circular cross-section, of alloy steel:</i> |
| 7304 51 | - <i>Cold-drawn or cold rolled (cold-reduced):</i> |
| 7304 51 10 | - Up to 114.3 mm diameter |
| 7304 51 20 | - Above 114.3 mm but up to 219.1 mm outer diameter |
| 7304 51 30 | - Above 219.1 mm outer diameter |
| 7304 59 | - <i>Other:</i> |
| 7304 59 10 | - Up to 114.3 mm diameter |
| 7304 59 20 | - Above 114.3 mm but up to 219.1 mm outer diameter |
| 7304 59 30 | - Above 219.1 mm outer diameter |
| 7304 90 00 | - Other..... |

As mentioned above, the customs classification is indicative and is no way binding on the scope of the product under consideration.

4. Import Duty: Provide information relating to rates of import duty levied during the past three years. If the product enjoys any concessional or preferential treatment, provide details.

The rates of Basic Customs Duties on import of the subject goods have been provided in the table below:

| Year | Basic Customs Duty |
|-----------|--------------------|
| 2009-2010 | 10% |
| 2010-2011 | 10% |
| 2011-2012 | 10% |
| 2012-2013 | 10% |

Table 1

5. Country(ies) of Origin: Provide name(s) of country(ies) where the product has originated (where the country of origin is different then the country of export, the name of the country of origin should also be provided).

It is submitted that some producers may be routing / transshipping the subject goods from other countries. The details of the same may be verified

by the Hon'ble Director General. The summary of the import of subject goods from all countries is enclosed herewith as ("**Annexure 4**"). The methodology applied in extracting the import data specifically for the subject goods is enclosed herewith as ("**Annexure 5**"). The import data is attached hereto as ("**Annexure 6**").

6. **Provide a list of all known foreign producers, exporters & importers of the imported product, country-wise, together with names and addresses of concerned trade associations and user associations etc.**

The Petition is against imports of the product under consideration from all countries. A list of known producers and exporters of the subject goods is provided at ("**Annexure 7**").

A list of the known importers of the product under consideration is provided at ("**Annexure 8**")

7. **Information on major industrial users, organization of industrial users and representative consumer organisations. (In case the product is commonly sold at retail level).**

A list of the known industrial users of the product under consideration is provided at ("**Annexure 8**").

8. **Export Price: Details of export price of the imported Product exporter / country-wise and the basis thereof (provide the f.o.b. / c.i.f. price at which the goods enter into India).**

A statement showing overall volume, value, average import price and share in imports of all countries as cumulated together is enclosed with this petition as ("**Annexure 4**").

SECTION 3: INCREASED IMPORTS

1. Provide full and detailed information regarding the imports of the said product in terms of quantity and value year wise for the last three years (or longer).

The detailed information is enclosed as (“**Annexure 4**”) with this petition.

Annual Analysis of Imports of Product under consideration

The summarized position with regard to increase in imports is tabulated below.

| Year | Quantity | Value | Price | Trend | Imports as %of Sales |
|--------------------------|----------|-----------|--------|-------|----------------------|
| | (MT) | (Rs.Lacs) | Rs./MT | MT | % |
| 2009-10 | 3,29,606 | 1,71,501 | 52,032 | 100 | 111 |
| 2010-11 | 3,54,821 | 1,71,213 | 48,253 | 108 | 113 |
| 2011-12 | 4,26,290 | 2,43,164 | 57,042 | 129 | 129 |
| 2012-13(Q1) | 1,10,463 | 63,895 | 57,843 | 34 | 155 |
| 2012-12 (Annualised)* | 4,41,853 | 2,55,580 | 57,843 | 134 | 155 |

Table 2

*The information for Q1-2012-13 (Apr-12 to Jun-12) have been extrapolated accordingly

It can be seen that the imports of the subject goods into India show a significant, sharp surge in the recent period. The trend of imports show a increase and sudden surge of imports as also the impact of the same on the share of these imports on the sales of the Domestic Industry.

Quarterly Analysis of Imports of Product under consideration

As can be seen from the table below while conducting the quarterly analysis, it is noted that the imports have significantly increased in an exponential

manner by about 59%. The Petitioners submit the analysis of the increase in imports by considering the trends in imports in a quarter by quarter basis:

| Quarter | Volume | Value | Average Price | Trend of Import Price | Imports as % of Sales | Trend in Increase in Imports |
|----------|----------|----------|---------------|-----------------------|-----------------------|------------------------------|
| Unit | (MT) | Rs. Lacs | Rs./MT | Rs./MT | % | MT |
| Q1-09-10 | 69,579 | 47,314 | 68,000 | 100 | 93 | 100 |
| Q2-09-10 | 91,163 | 46,643 | 51,164 | 75 | 128 | 131 |
| Q3-09-10 | 84,871 | 41,791 | 49,240 | 72 | 120 | 122 |
| Q4-09-10 | 83,993 | 35,754 | 42,568 | 63 | 107 | 121 |
| Q1-10-11 | 97,217 | 37,931 | 39,017 | 57 | 151 | 140 |
| Q2-10-11 | 86,842 | 44,459 | 51,196 | 75 | 103 | 125 |
| Q3-10-11 | 91,347 | 47,225 | 51,698 | 76 | 124 | 131 |
| Q4-10-11 | 79,415 | 41,598 | 52,381 | 77 | 87 | 114 |
| Q1-11-12 | 87,196 | 47,704 | 54,709 | 80 | 108 | 125 |
| Q2-11-12 | 1,39,644 | 74,004 | 52,995 | 78 | 165 | 201 |
| Q3-11-12 | 1,07,983 | 63,485 | 58,791 | 86 | 126 | 155 |
| Q4-11-12 | 91,467 | 57,971 | 63,379 | 93 | 114 | 131 |
| Q1-12-13 | 1,10,463 | 63,895 | 57,843 | 85 | 155 | 159 |

Table 3

Monthly Analysis of Imports of Product under consideration

The Petitioners have also examined the increase in imports by considering the imports on a month to month basis in the recent period and the imports have increased manifold by approx. 75% as can be seen in the table below:

| Month | Qty | Value | Price | Increase in imports |
|--------|--------|----------|--------|---------------------|
| Unit | (MT) | Rs. Lacs | Rs./MT | Trend |
| Mar-11 | 23,944 | 12,956 | 54,110 | 100 |
| Apr-11 | 24,424 | 12,558 | 51,419 | 102 |
| May-11 | 35,735 | 20,032 | 56,057 | 149 |
| Jun-11 | 27,037 | 15,113 | 55,898 | 113 |
| Jul-11 | 36,791 | 19,701 | 53,547 | 154 |
| Aug-11 | 44,285 | 23,659 | 53,424 | 185 |
| Sep-11 | 58,567 | 30,645 | 52,324 | 245 |

| | | | | |
|--------|--------|--------|--------|-----|
| Oct-11 | 30,246 | 18,544 | 61,310 | 126 |
| Nov-11 | 38,475 | 22,516 | 58,522 | 161 |
| Dec-11 | 39,263 | 22,425 | 57,115 | 164 |
| Jan-12 | 32,581 | 21,281 | 65,318 | 136 |
| Feb-12 | 32,914 | 20,243 | 61,504 | 137 |
| Mar-12 | 25,972 | 16,446 | 63,323 | 108 |
| Apr-12 | 33,307 | 18,838 | 56,558 | 139 |
| May-12 | 35,249 | 19,316 | 54,799 | 147 |
| Jun-12 | 41,907 | 25,741 | 61,424 | 175 |

Table 4

On the basis of the information presented in this presentation, it can be concluded that:

1. the imports of the Product under consideration have increased throughout the recent period in absolute terms with a sudden, significant and sharp surge. These imports now also demonstrate a trend of consistent and increased imports into India which is seriously injuring the Domestic Industry.
2. the imports of the subject goods have increased from end-point to end point comparison as well as in a year-wise, quarter-to-quarter and month-wise basis, clearly demonstrating a surge or increase in imports.
3. the rate of increase in imports has significantly increased in the recent past demonstrating the surge in imports
4. the imports have increased in relation to the production and consumption in India.
5. It is to be appreciated that while the capacity of the Domestic Industry increased and due to voluminous import the idle capacity of the DI is all time high.

2. Provide break up of (1) above country wise in absolute terms as well as a percentage of the total imports of the said product.

These details are provided as (“**Annexure 4**”) of the petition. The country-wise break down in imports in absolute terms as well as a percentage of total imports clearly shows that there is a sudden surge of imports in India.

3. Provide full and detailed information on the share of the imported products and the share of the domestic production of the like product and the directly competitive products in the total domestic consumption for the last three years (or longer) both in terms of quantity and value.

As can be seen from the information provided in the present petition, the market share of the imports of the product under consideration from has substantially increased. It can also be seen that the market share of the Domestic Industry has significantly declined.

The market share of the imports of the product under consideration has increased to 60% which has directly and adversely impacted the market share of the Domestic Industry by declining of their share to merely 38%. This is the lowest share of the Domestic Industry during the injury period. In absence of the protection of safeguard duties, the operations of the Domestic Industry will further worsen and clearly further threaten and jeopardize their already lowest market share in India.

| Demand | 2009-2010 | 2010-2011 | 2011-12 | 2012-13 (Annualized) |
|---------------------------|-----------|-----------|----------|----------------------|
| Total Imports | 3,29,606 | 3,54,821 | 4,26,290 | 4,41,853 |
| Domestic Industry | 2,95,670 | 3,13,264 | 3,31,303 | 2,85,002 |
| Other Domestic Producers* | 7,099 | 14,262 | 14,262 | 14,262 |
| Total Assessed Demand | 6,32,375 | 6,82,347 | 7,71,855 | 7,41,117 |
| | | | | |
| Market Share in Demand | 2009-2010 | 2010-2011 | 2011-12 | 2012-13 (Annualized) |
| Total Imports | 52 | 52 | 55 | 60 |
| Domestic Industry | 47 | 46 | 43 | 38 |

| | | | | |
|--------------------------|---|---|---|---|
| Other Domestic Producers | 1 | 2 | 2 | 2 |
|--------------------------|---|---|---|---|

Table 5

* - The information relating to sales for other domestic Producers for FY-2011-12 onwards is not available in the public domain and has been assumed as 1-2% of the Total Demand for the respective period.

4. Provide information on factors that may be attributing to increased imports.

The factors for that may be attributing to the increase imports are as under:

- a. The global prices of the raw materials have been increasing throughout the period under investigation, which has led to a global increase in the prices of the Product under consideration. However, the foreign producers have not increased to the extent of rise in raw materials, thus resulting in the subject goods being cheaper as compared to the Domestic Industry and other countries.
- b. The foreign producers have created significant production capacities and therefore are looking forward for alternate markets. It is also pertinent to note that the Indian Infrastructure Industry is poised to grow and there are many projects which are underway which has fuelled the demand of the subject goods in India.
- c. Further, the Chinese exports are liable to anti-dumping/countervailing duty in major consuming markets including European Union, Brazil, USA and some other jurisdictions are in the process of concluding anti-dumping/anti-subsidy investigations against the subject goods from China.

The Domestic Industry has relied upon the findings imposed by some of these jurisdictions which are enclosed herewith as (**“Annexure 9”**).

d. Considering the massive production capacities of the subject goods in foreign producers in China PR and the European Union, the export orientation of the foreign Producers and the growing demand in India, it is likely that the imports of the Product under consideration from foreign countries will only continue to increase further.

SECTION 4: DOMESTIC PRODUCTION

1. Details of the like product and directly competitive products produced by the domestic producers:

i. Name: The product under consideration is already defined under Section I of this Petition. The products produced by the Domestic Industry are identical in all respects and are technically and commercially substitutable with the imports of the subject products.

ii. Description: The imported subject goods and the product manufactured by the Domestic Industry are absolutely the same. The products are identical in all aspects and essential characteristics and compete with common customers in India.

iii. Tariff classification both under the Central Excise Tariff as well as under the Customs Tariff.

Seamless Pipes and Tubes are classified under Customs sub-heading No. 73.04 of Chapter 73 of the Customs Tariff Act, 1975. An indicative list of the various classifications under which the product under consideration may be classified into is provided below as the product under consideration is imported under different 6/8/10 digit level classification.

| Tariff Item | Description |
|-------------|---|
| 7304 | Tubes, pipes and hollow profiles, seamless, of iron (other than cast iron) or steel |
| | - <i>Line pipe of a kind used for oil and gas pipelines:</i> |
| 7304 19 | - <i>Other:</i> |
| 7304 19 10 | -Tubes and pipes |
| 7304 19 20 | - Blanks for tubes and pipes |

| | |
|------------|--|
| 7304 19 90 | - Other |
| | - <i>Casing, tubing and drill pipe, of a kind used in drilling for oil or gas:</i> |
| 7304 23 | - <i>Other drill pipe:</i> |
| 7304 23 10 | - Of iron |
| 7304 23 90 | - Other |
| 7304 29 | - <i>Other:</i> |
| 7304 29 10 | - Of iron |
| 7304 29 90 | - Other |
| | - <i>Other, of circular cross-section, of iron or non-alloy steel:</i> |
| 7304 31 | - <i>Cold-drawn or cold-rolled (cold-reduced):</i> |
| | - <i>Up to 114.3 mm outer diameter:</i> |
| 7304 31 11 | - Of iron |
| 7304 31 19 | - Other |
| | - <i>Above 114.3 mm but up to 219.1 mm outer diameter:</i> |
| 7304 31 21 | - Of iron |
| 7304 31 29 | - Other |
| | - <i>Above 219.1 mm diameter:</i> |
| 7304 31 31 | - Of iron |
| 7304 31 39 | - Other |
| 7304 39 | - <i>Other:</i> |
| | - <i>Up to 114.3 mm outer diameter:</i> |
| 7304 39 11 | - Of iron |
| 7304 39 19 | - Other |
| | - <i>Above 114.3 mm but up to 219.1 mm outer diameters:</i> |
| 7304 39 21 | - Of iron |
| 3704 39 29 | - Other |
| | - <i>Above 219.1 mm diameter:</i> |
| 7304 39 31 | - Of iron |
| 7304 39 39 | - Other |
| | - <i>Other, of circular cross-section, of alloy steel:</i> |
| 7304 51 | - <i>Cold-drawn or cold rolled (cold-reduced):</i> |
| 7304 51 10 | - Up to 114.3 mm diameter |
| 7304 51 20 | - Above 114.3 mm but up to 219.1 mm outer diameter |
| 7304 51 30 | - Above 219.1 mm outer diameter |
| 7304 59 | - <i>Other:</i> |
| 7304 59 10 | - Up to 114.3 mm diameter |
| 7304 59 20 | - Above 114.3 mm but up to 219.1 mm outer diameter |

| | |
|------------|---------------------------------------|
| 7304 59 30 | - Above 219.1 mm outer diameter |
| 7304 90 00 | - Other..... |

iv. Details of domestic producers:

The details of various producers of the Product under consideration in India are as follows.

| | |
|---|---|
| <p>ISMT Ltd.</p> <p>Lunkad Towers, Viman Nagar, Pune - 411 014 Tel. : +91 20 41434100 Fax : +91 20 26630779</p> | <p>Maharashtra Seamless Ltd.</p> <p>Jindal Corporate Centre Plot No 30, Institutional Sector-44, Gurgaon – 122001 Haryana (India) Tel. : +91 124 2574325 / 26</p> |
| <p>Jindal SAW Ltd.</p> <p>Jindal Centre, 12 Bhikaiji Cama Place, New Delhi 110066 Phone: +91 11 - 26188345, 26188360-74 Fax: +91 11 26170691</p> | <p>Oil Country Tubular Ltd.</p> <p>'KAMINENI', 3rd Floor, King Koti Hyderabad - 500 001, A.P., India Tel: +91 40 2478 5555, Fax : +91 40 2475 9299</p> |
| <p>Remi Metals Gujarat Limited</p> <p>Welspun House, 4th Floor, Kamala Mills Compound, Senapati Bapat Marg, Lower Parel (West), Mumbai - 400013. Phone : +91 22 66136000 Fax: +91 22 24908020</p> | <p>Bharat Heavy Electricals Ltd.</p> <p>BHEL House, Siri Fort, New Delhi - 110049, India. Telephone : +91 11 66337000 Fax : +91 11 26493021</p> |

2. Names and addresses of all known domestic producers and concerned trade associations and users associations etc.

The list of the names and addresses of known user associations is attached to the present petition as ("**Annexure 8**")

3. Details of production accounted for by each of the producers at 2 above.

A statement is enclosed with the present petition at ("**Annexure 1**"). It can be clearly seen that the Petitioners are majority producers of the domestic production of the Product under consideration in India and along with the supporting domestic producer forms a major share of the total produced of the total production of the said article in India and is hence, the Domestic Industry for the product under consideration in India.

4. Details of total domestic production.

A statement is enclosed with the present petition at ("**Annexure 1**"). It can be clearly seen that the Petitioners are majority producers of the domestic production of the product under consideration in India.

5. Installed capacity, capacity utilization and fall in capacity utilization etc.

Kindly refer to the ("**Annexure 10**") (**Non-Confidential**) enclosed with the Petition. It can be seen that the Domestic Industry has increased capacities in view of the increasing domestic demand for the Product under consideration in India. In other words, the Domestic Industry has the capacity to meet the domestic demand of the country. However, in view of the increased imports of the subject goods, the capacity utilization of the

Domestic Industry for the Product under consideration has been negatively impacted. The capacity utilisation has steeply declined since 2009-10 to merely 36% in 2012-13

| | Unit | 2009-2010 | 2010-2011 | 2011-12 | 2012-13 (Annualized) |
|----------------------|------|-----------|-----------|-----------|-------------------------|
| Installed capacity | MT | 7,25,000 | 10,35,000 | 10,51,667 | 12,35,000 |
| Total Production | MT | 3,66,020 | 4,53,125 | 4,99,182 | 4,43,254 |
| Capacity utilization | % | 50% | 44% | 47% | 36% |

Table 6

Although the Domestic Industry can full meet the growing demand in the country, the Domestic Industry has not been able to realize the full capacities due to the increased imports of the product under consideration. The idle capacity of the Domestic Industry has substantially increased by more than 100% due to the increased imports in to the country.

| | Unit | 2009-2010 | 2010-2011 | 2011-12 | 2012-13 (Annualized) |
|------------------------|------|-----------|-----------|----------|-------------------------|
| Idle Capacity | MT | 3,58,980 | 5,81,875 | 5,52,485 | 7,91,746 |
| Trend in Idle Capacity | MT | 100 | 162 | 154 | 221 |
| Total Imports | MT | 3,29,606 | 3,54,821 | 4,26,290 | 4,41,853 |
| Trend in Imports | MT | 100 | 108 | 129 | 134 |
| Total Assessed Demand | MT | 6,32,375 | 6,82,347 | 7,71,855 | 7,41,117 |

Table 7

SECTION 5: INJURY AND THREAT OF INJURY

- 1. Impact of increased imports on Domestic Industry: Detailed information on how the increased imports are causing serious injury or threat of injury to the domestic industry. This should, *inter alia*, include information on**
- a. Sale volumes, total domestic consumption and how the market share of domestic production has been affected.**

Although the sales of the Domestic Industry marginally increased, however, the increase has not been proportionate to the increase in the demand. While the domestic demand has increased, the growth in sales of the Domestic Industry has remained lower than the growth in demand. The sales volumes of the Domestic Industry have suffered with the increase in imports of the Product under consideration into India.

It can be seen that the market share of the Domestic Industry has significantly reduced, whereas, the market share of the imports of the subject goods has substantially increased.

Clearly, the market share of the Domestic Industry has suffered due to the unabated imports of the product under consideration and is likely to further affect the market share of the Domestic Industry.

| | 2009-2010 | 2010-2011 | 2011-12 | 2012-13 (Annualized) |
|------------------------------------|-----------|-----------|----------|-------------------------|
| Total Imports | 3,29,606 | 3,54,821 | 4,26,290 | 4,41,853 |
| Sales of Domestic Industry | 2,95,670 | 3,13,264 | 3,31,303 | 2,85,002 |
| Sales of Other Domestic Producers* | 7,099 | 14,262 | 14,262 | 14,262 |
| Demand | 6,32,375 | 6,82,347 | 7,71,855 | 7,41,117 |
| Trend in Imports | 100 | 108 | 129 | 134 |
| Trend in Domestic Industry Sales | 100 | 106 | 112 | 96 |
| Trend in Demand | 100 | 108 | 122 | 117 |
| Market Share in Demand | 2009-2010 | 2010-2011 | 2011-12 | 2012-13 (Annualized) |
| Total Imports | 52 | 52 | 55 | 60 |
| Domestic Industry | 47 | 46 | 43 | 38 |
| Other Domestic Producers | 1 | 2 | 2 | 2 |

Table 8

b. Price undercutting / price depression / prevention of rise in prices. Information on costs of production and how the increased imports have affected the prices of domestic production needs to be provided.

The relevant information is enclosed at (“**Annexure 10**”) (**Non-Confidential**) of the present Petition. It can be seen that the landed prices of the product under consideration are significantly lower than the prices sales of the Domestic Industry and are undercutting the prices of the Domestic Industry. The undercutting by the imports of subject goods is attributing to the increased imports and price effect suffered by the Domestic Industry.

| Particulars | Unit | 2009-2010 | 2010-2011 | 2011-12 | 2012-13 (Annualised) |
|---|--------|-----------|-----------|---------|----------------------|
| Trend - Domestic Selling Price (Applicants) | Rs./MT | 100 | 89 | 95 | 100 |
| Import Price | Rs./MT | 52,032 | 48,253 | 57,042 | 57,843 |
| Landed Price of Imports | Rs./MT | 57,808 | 53,610 | 63,373 | 64,263 |

Table 9

Further, it is submitted that the input prices and the cost of sales has substantially increased. However, the prices of the imports have not increased decreased. Consequently, the Domestic Industry has not been able to increase its prices in proportion to the increased input prices and cost of sales. Information pertaining to price under-cutting is provided at (“**Annexure 15**”)(**Non-Confidential**). Clearly the low import prices have caused severe price suppression/depression to the Domestic Industry.

| Particulars | Unit | 2009-2010 | 2010-2011 | 2011-12 | 2012-13 (Annualised) |
|---|--------|-----------|-----------|---------|----------------------|
| Cost of sales - Domestic | Rs./MT | **** | **** | **** | **** |
| Trend - Cost of sales - Domestic | Rs./MT | 100 | 107 | 117 | 117 |
| Domestic Selling Price (Applicants) | Rs./MT | **** | **** | **** | **** |
| Trend - Domestic Selling Price (Applicants) | Rs./MT | 100 | 89 | 95 | 100 |
| Landed Price of Imports | Rs./MT | 57,808 | 53,610 | 63,373 | 64,263 |

| | | | | | |
|---------------------------------|--------|-----|----|-----|-----|
| Trend - Landed Price of Imports | Rs./MT | 100 | 93 | 110 | 111 |
|---------------------------------|--------|-----|----|-----|-----|

Table 10

c. Loss of employment

There is no significant change in the level of employment and wages over the recent period as these parameters are dependent on several other parameters such labour laws in the country and are not reflective of the impact of imports on the Domestic Industry. The Petitioners submit that retrenchment or similar practices towards the workers is the last resort for the Domestic Industry however, if the increased imports continue unabated it is likely to lead to the an adverse effect on the employment of the Domestic Industry.

d. Financial situation

The relevant information is enclosed in the Petition at (“Annexure10”) (**Non-Confidential**). It can be seen that the inventories of the Domestic Industry have piled up and the stock of the product under consideration has significantly increased during the relevant period. It is submitted that the increased quantities of low priced imports of the subject goods have caused the accumulation of inventories of the Domestic Industry.

The Domestic Industry has been forced to export the excess accumulated stock in order to reduce the inventories that have piled up due to the availability of cheap imports of the subject goods.

| | Unit | 2009-2010 | 2010-2011 | 2012-2013 | 2012-2013 (Apr-May) |
|--------------------|------|-----------|-----------|-----------|------------------------|
| Inventory | MT | 11,703 | 21,650 | 20,593 | 23,039 |
| Trend in Inventory | MT | 100 | 185 | 176 | 197 |
| | Unit | 2009-2010 | 2010-2011 | 2012-2013 | 2012-2013 (Annualised) |
| Exports | MT | 1,65,475 | 1,89,351 | 2,50,793 | 2,23,512 |
| Trend in Exports | MT | 100 | 114 | 152 | 135 |

Table 11

The profitability of the Domestic Industry has severely been affected and has steeply declined in the recent period. The cost of sales and input prices of the product under consideration have continued to rise, however due to the low priced imports of the subject goods, the Domestic Industry could not increase its prices in proportion. In addition to the same, the Domestic Industry was forced to sell in the domestic prices at depressed prices, consequently, the profitability of the Domestic Industry has sharply deteriorated. This decline is clearly attributable to the increase in the imports of the cheap subject goods. The information in this behalf is made available in the injury statement presented under (**“Annexure 10”**) (**Non-Confidential**).

Further, the Petitioners have received letters from its distributors and customers demanding that the Domestic Industry reduce their domestic prices of the subject goods in line with the import prices. In light of the same, the consequent price suppression faced by the Domestic Industry on account of the imports of the subject goods is established. The same is attached herewith as (**“Annexure 11”**) (**Non-Confidential**)

Threat of Injury

Without prejudice to the fact that there is present and existing injury caused by the imports of the subject goods, there is a continuous threat that the situation will further deteriorate. Under Section 8B(6)(d) of the Customs Tariff Act, 1975 “threat of serious injury” has been defined as under:

“d. “threat of serious injury” means a clear and imminent danger of serious injury.”

Hence, it is required that in order to demonstrate a threat of serious injury, a clear and imminent danger of serious injury must be established. In light of the same, the Petitioners submit the below mentioned grounds which clearly

establish a clear and imminent danger of serious injury to continue in present facts and circumstances of the case at hand.

i. The Domestic Industry has already lost several opportunities in the form of tenders to Government of India / other private projects in the fields of oil exploration, etc. to foreign suppliers. The details of the some of these tenders are provided to the Hon'ble Director General of Safeguards at (“**Annexure 12**”). It is likely that in present factual scenario, further opportunities may be lost to imports increasing the losses suffered by the Domestic Industry

ii. The imports of the subject goods are entering the Indian market in large quantities, in absolute terms as well as in relation to the production and sales of the Domestic Industry.

iii. Major importing markets such as USA, European Union and Brazil have imposed anti-dumping/countervailing measures on the imports of the subject goods. This has facilitated the focus of the foreign producers to vigorously penetrate into the Indian market. Within the facts of the instant case at present, these imports are not amenable to any such anti-dumping/countervailing measures and hence the domestic Indian market is a profitable export destination for the subject goods.

iv. Considering the massive capacities of the subject goods in foreign countries and the increasing demand of the subject goods in India. It is clear that the imports of the subject goods into India shall continue to rise leading to a definite likelihood of serious injury to the Domestic Industry in India and continuation of the serious injury to the Domestic Industry in India.

v. The price difference between the imports and the sales of the Domestic Industry is very high and is likely to increase. Thus, the imports of the subject goods from are likely to remain lucrative.

vi. The price undercutting of the Domestic Industry by the imports of the subject goods is likely to remain significant in light of the increasing input prices and cost of sales. Hence, the price effect suffered by the Domestic Industry is likely to increase.

vii. The profitability of the Domestic Industry has steeply deteriorated due to increased imports in the recent period and in consideration of the continued availability of the cheap imports, the profitability of the Domestic Industry is likely to further decline.

viii. The market share of the Domestic Industry has been captured by the increased imports of the subject goods. In light of the unabated imports of the subject goods, a further decline in the market share of the Domestic Industry is likely.

ix. The sales, production, capacity utilization has suffered due to the increased imports of the subject goods and is likely to continue suffering.

x. In the absence of immediate protection to the Domestic Industry in the form of a safeguard duty on the imports of the Product under consideration, the serious injury suffered by the Domestic Industry is likely to increased

In light of the aforesaid, it is clear that there is imminent and clear danger of serious injury to the Domestic Industry in India. Hence, the threat of serious injury to the Domestic Industry in India is established.

- 2. Other Factors of Injury: Provide details of any other factors that may be attributing to the injury to the domestic industry and an explanation that injury caused by these other factors is not attributed to injury**

caused by increased imports. (Information on injury caused due to dumping or subsidization, if any, needs to be specifically provided here. Also mention if any application for anti-dumping or countervailing duty investigation has been filed).

There are no other factors that may have attributed to the injury caused to the Domestic Industry other than the increased imports of the product under consideration.

However, the Petitioners have examined some other possible factors to determine whether such other factors were causing injury to the Domestic Industry. The Petitioners have examined the below mentioned factors in consonance with the consistent practice of the Hon'ble Director General of Safeguards.

a. Contraction in Demand of the Product under consideration

The demand of the Product under consideration does not indicate any negative growth. There has been no contraction in the demand as such which may have attributed to the injury to the Domestic Industry – in fact as discussed above, there is an increase in demand.

b. Changes in Pattern of Consumption

The pattern of consumption of the Product under consideration has not undergone any change. Changes in the pattern of consumption have therefore not attributed to the injury to the Domestic Industry.

c. Trade restrictive practices of the Domestic Industry

There are no trade restrictive practices employed or adopted by the Domestic Industry. Hence the said factor has not attributed to the injury caused to the Domestic Industry

d. Developments in Technology

The technology for the production of the product under consideration has not undergone any change. In fact, the domestic product competes directly with the imported product. Clearly, change or developments in technology have not caused injury to the Domestic Industry.

e. Export Performance

In order to maintain the capacity utilization, the Petitioners are forced to increase their sales to the export market. and facilitate in reducing the piling inventory. In any case, the injury information relevant to the domestic sales has been made available to the Hon'ble Director General of Safeguards.

SECTION 6: CAUSE OF INJURY:

Please provide an analysis of data presented above bringing out a nexus between the increased imports, either actual or relative to domestic production, and the injury or threat of injury caused to the domestic industry and the basis for a request for initiation of safeguards investigation under Customs Tariff (Identification and Assessment of Safeguard Duty) Rules, 1997.

Injury to the Domestic Industry has been caused by the increased imports.

Following are relevant in this regard:

1. Surge in Imports

The import of the subject goods has exponentially increased both in absolute terms as well as in proportion to the production and sales of the Domestic Industry in the recent period.

2. Substantially Low Prices of the imports from Subject Country

The imports of the subject goods are available at substantially lower prices than the prices of the Domestic Industry. Consequently, domestic consumers are increasingly resorting to imports. Hence, the Domestic Industry is being forced to offer unfeasible and injurious prices.

In fact, the Domestic Industry has received letters from the domestic users to lower their prices due to the lower priced imports. The same has been attached hereto as ("**Annexure 11**") (**Non-Confidential**).

3. Decline in Sales, Capacity Utilization, Production and Market Share of the Domestic Industry

The increase in the imports has lead to a decline in the production, capacity utilization and sales of the Domestic Industry. The market share of the Domestic Industry has also reduced vis-à-vis the imports of the product under consideration.

4. Undercutting by the Imports

The imports of the Product under consideration are significantly undercutting the domestic prices. Consequently, the Domestic Industry is facing a decline in the profits and return on investment. (**Annexure 15**) ("**Non-Confidential**")

5. **Price Suppression/Price Depression**

Due to the increased lower priced imports of the subject goods the Domestic Industry is facing price suppression in the domestic market.

6. **Production and Capacity Utilization**

The Domestic Industry is facing significant drop in production of the product under consideration and Capacity Utilization. The idle capacity of the Domestic Industry has substantially increased.

7. **Threat of Serious Injury**

The imports of the product under consideration present an imminent and clear threat of serious injury to the Domestic Industry in India.

SECTION 7: SUBMISSION

a. A statement describing the measure requested including:

Nature and quantum of safeguard duty requested.

The Petitioners request a fixed quantum/*ad valorem* form of safeguard duty to the full extent of the injury margin. Further, the Petitioners humbly request the Hon'ble Director General of Safeguards to impose permissible quantitative/quota based restrictions on the imports of the Product under consideration.

Purpose of seeking the relief and how such objective will be achieved.

The purpose of seeking imposition of the safeguard duty is, *inter alia*, to –

- enable the Domestic Industry to improve its capacity utilization
- effectively compete with the increased imports of the Product under consideration
- ensure the survival of the Domestic Industry

Duration for which imposition of safeguard duty is requested and the reasons therefore.

In light of the reasons aforementioned, the Petitioners humble request the Hon'ble Director General of Safeguards to impose a safeguard duty on imports of the Product under consideration for a period of four years

b. If a request is made for provisional safeguard measures, full and detailed information regarding existence of critical circumstances and how delay would cause damage which it would be difficult to repair.

The Petitioners request for the imposition of a provisional safeguard duty. It is submitted that immediate interim measures are imperative in view of the steep deterioration in the performance of the Domestic Industry and grave threat of serious injury as a consequence of the increased imports of the Product under consideration.

The Domestic Industry has been forced to reduce production and the capacity utilization is severely affected.

The domestic sales of the Domestic Industry have declined significantly and the profitability of the Domestic Industry is grossly affected.

There is substantial accumulation of inventories which may continue to rise in light of the unabated imports of the Product under consideration.

The Domestic Industry is facing substantial financial losses due to increased imports of the Product under consideration.

In light of the present critical circumstances, the Hon'ble Director General of Safeguards may be pleased to impose provisional safeguard duties on the imports of the Product under consideration.

- c. **If the safeguard measures are requested to be imposed for more than one year, details on efforts being taken and planned to be taken or both to make a positive adjustment to import competition with details of progressive liberalization adequate to facilitate positive adjustment of the industry.**

The present petition is for the imposition of Safeguard Duty on imports of the Product under consideration as prescribed under the Safeguard Duty Rules and Section 8(B) of the Customs Tariff Act, 1975 the same is attached herewith as (“**Annexure 17**”)(“**Confidential**”)

SECTION 8: INDICATIVE LIST OF ANNEXES

All supporting information can be provided as annexes to the application. (The main information must be provided at the appropriate places. The details of the information can be provided in annexes).

Annexure 1 – Statement of Domestic Production

Annexure 2 – Listing of Equivalent Standard and Specifications of ASTM A/SA 213 and ASTM A/SA 335

Annexure 3 - Production process flowchart and process description of the product under consideration

Annexure 4 - Statement of Imports

Annexure 5 – Note on Import data analysis and conversion

Annexure 6 – Import Listing

Annexure 7 – Names and Addresses of known Producers/Exporters

Annexure 8 – Names and Addresses of known Importers/ Users

Annexure 9 – Anti-dumping/Countervailing measures in other jurisdictions

Annexure 10 – Injury Statement

Annexure 11– Letter received by Petitioners demanding Price reduction
(Confidential)

Annexure 12 – Information on recent tenders lost to Foreign Producers

Annexure 13 – Letters from Petitioners requesting Safeguard Duty on imports of the Product under consideration

Annexure 14 – Letter from MSL supporting the petition (Confidential)

Annexure 15 – Statement of Price Under-cutting
(Confidential)

Annexure 16 – Statement showing cost of production of the petitioners
(Confidential)

Annexure 17 –Adjustment Plan of the Domestic Industry
(Confidential)

STATEMENT OF CONFIDENTIALITY

| DOCUMENT | PARTICULARS | CONFIDENTIALITY | REASONS FOR CONFIDENTIALITY | PAGES |
|--------------------|---|------------------------|---|--------------|
| Petition Narrative | SECTION 5 - INJURY AND THREAT OF INJURY a. Selling Price b. Cost of Sales | Confidential | Business sensitive information which is not available in public domain and is not amenable to summarisation, the disclosure of which is harmful to the interests of the Petitioners. The information has been provided to the extent possible | 1 |
| Annexure 10 | INJURY STATEMENT | Confidential | Business sensitive information which is not available in public domain and is not amenable to summarisation, the disclosure of which is harmful to the interests of the Petitioners. The information has been provided to the extent possible | 1 |
| Annexure 11 | LETTER FOR PRICE REDUCTION | Confidential | Business sensitive information which is not available in public domain and is not amenable to summarisation, the disclosure of which is harmful to the interests of the Petitioners. The | 1 |

| | | | | |
|-------------|---|--------------|--|---|
| | | | information has been provided to the extent possible | |
| Annexure 14 | LETTER FROM MSL SUPPORTING THE PETITION | Confidential | Business Sensitive Information not available in the public domain and not amenable to summarization, the disclosure of which is harmful to the Petitioner has been claimed as Confidential | 2 |
| Annexure 15 | STATEMENT OF PRICE UNDERCUTTING | Confidential | Business Sensitive Information not available in the public domain and not amenable to summarization, The disclosure of which is harmful to the Petitioner has been claimed as Confidential | 1 |
| Annexure 16 | COST OF PRODUCTION | Confidential | The Annexure contains confidential business sensitive information concerning the costing and finances of the Petitioner, which is not available in the public domain and is not amenable to summarisation and the disclosure of which is harmful to the Petitioners, hence the same is claimed as Confidential | 2 |

| | | | | |
|-------------|--------------------|--------------|--|---|
| Annexure 17 | RESTRUCTURING PLAN | Confidential | The Annexure contains confidential business sensitive information concerning the costing and finances of the Petitioner, which is not available in the public domain and is not amenable to summarisation and the disclosure of which is harmful to the Petitioners, hence the same is claimed as Confidential | 1 |
|-------------|--------------------|--------------|--|---|

STATEMENT OF DOMESTIC PRODUCTION

Annexure - 1

| | 2009-10 | | 2010-11 | | 2011-12 | | Q1-2012-13 | | Q1-2011-12 - Q1-2013-13(Annualised) | |
|---------------------------------------|------------------------------|----------------------------------|------------------------------|----------------------------------|-------------------------------|----------------------------------|--------------------------------|----------------------------------|-------------------------------------|----------------------------------|
| | Total Production Volume (MT) | Share in Domestic Production (%) | Total Production Volume (MT) | Share in Domestic Production (%) | Total Production Volume (MT)* | Share in Domestic Production (%) | Total Production Volume (MT)** | Share in Domestic Production (%) | Total Production Volume (MT)* | Share in Domestic Production (%) |
| Producer | | | | | | | | | | |
| Petitioners | | | | | | | | | | |
| ISMT | 131679 | 31 | 166353 | 31 | 180506 | 31 | 23092 | 26 | 174513 | 30 |
| JINDAL SAW | 92537 | 22 | 117267 | 22 | 138462 | 24 | 25756 | 29 | 140759 | 24 |
| Production of Petitioners | 224216 | 53 | 283619 | 53 | 318968 | 55 | 48848 | 56 | 315272 | 55 |
| Supporter | | | | | | | | | | |
| MSL | 141804 | 34 | 169506 | 31 | 180213 | 31 | 25027 | 28 | 175921 | 30 |
| Total Domestic Industry | 366020 | 87 | 453125 | 84 | 499182 | 86 | 73876 | 84 | 491192 | 85 |
| Bharat Heavy Electricals Ltd.(BHEL)** | 32790 | 8 | 35220 | 7 | 35220 | 6 | 5870 | 7 | 35220 | 6 |
| Oil Country Tubular Ltd.(OCTL)*** | 18240 | 4 | 37839 | 7 | 37839 | 6 | 6307 | 7 | 37839 | 7 |
| Remi Metals Gujarat Ltd.(REMI) | 5770 | 1 | 12370 | 2 | 11540 | 2 | 1923 | 2 | 13463 | 2 |
| Total Domestic Production | 422820 | 100 | 538554 | 100 | 583781 | 100 | 87975 | 100 | 577715 | 100 |

Note:

* - The Production volumes of the BHEL and OCTL for FY-2011-12 has been assumed to be same as production for FY-2010-12 as the same is not available in the public domain.

** - BHEL produces about 35000 MT per annum, however as per the market intelligence of the Domestic Industry they import the subject goods from other countries and large quantities especially from China PR. This import volumes are currently estimated to be around 50000 tons per annum and also have majority as captive consumption.

*** - OCTL have commenced production starting June 2011 / July 2011 and almost all the production is for export and have negligible sales of the Product under consideration in India.

**** - The information provided for BHEL, OCTL and REMI is based on information available in the public domain and does not exclude the 2 grades i.e. ASTM SA213 and ASTM SA335. Hence, the actual production of the 'Other Indian Producers' of the Product under Consideration is lower.

Table C.3 — Process of manufacture and heat treatment

| Group | Grade | Type | Manufacturing process ^a | Heat treatment | Tempering temperature °C min |
|-------|-------|------|------------------------------------|----------------|------------------------------------|
| 1 | 2 | 3 | 4 | 5 | 6 |
| 1 | H40 | — | S or EW | — | — |
| | J55 | — | S or EW | — ^b | — |
| | K55 | — | S or EW | — ^b | — |
| | N80 | 1 | S or EW | c | — |
| | N80 | Q | S or EW | Q ^d | — |
| 2 | M65 | — | S or EW | Q ^e | — |
| | L80 | 1 | S or EW | Q | 566 |
| | L80 | 9Cr | S | Q ^f | 593 |
| | L80 | 13Cr | S | Q ^f | 593 |
| | C90 | 1 | S | Q | 621 |
| | T95 | 1 | S | Q | 649 |
| 3 | P110 | — | S or EW ^g | Q | — |
| 4 | Q125 | 1 | S or EW ^h | Q | — |

^a S = seamless process; EW = electric-welded process.

^b ~~Q110~~ full-length normalized, normalized and tempered or quenched and tempered at the manufacturer's option or as specified on the purchase agreement.

^c ~~Q110~~ full-length normalized, normalized and tempered or quenched and tempered at the manufacturer's option or as specified on the purchase agreement.

^d ~~Q110~~ full-length normalized, normalized and tempered or quenched and tempered at the manufacturer's option or as specified on the purchase agreement.

^e ~~Q110~~ full-length normalized, normalized and tempered or quenched and tempered at the manufacturer's option or as specified on the purchase agreement.

^f Type 9Cr and 13Cr may be air-quenched.

^g Special chemical requirements for electric-welded P110 ~~Q110~~ are specified in Table C.4.

^h Products shall be heat-treated ~~Q110~~ full-length. Special requirements unique to electric-welded P110 and Q125 are specified in A.B SR11.

Table C.4 — Chemical composition, mass fraction (%)

| Group | Grade | Type | C | | Mn | | Mo | | Cr | | Ni max. | Cu max. | P max. | S max. | Si max. | |
|----------------|----------------|--------------|--------------|-------------------|--------------|--------------|-------------------|--------------|--------------|--------------|--------------|--------------|--------------------|--------------------|--------------|--|
| | | | min. | max. | min. | max. | min. | max. | min. | max. | | | | | | |
| 1 | 2 | 3 | 4 | 5 | 6 | 7 | 8 | 9 | 10 | 11 | 12 | 13 | 14 | 15 | 16 | |
| 1 | H40 | — | — | — | — | — | — | — | — | — | — | — | 0,030 | 0,030 | — | |
| | J55 | — | — | — | — | — | — | — | — | — | — | — | 0,030 | 0,030 | — | |
| | K55 | — | — | — | — | — | — | — | — | — | — | — | 0,030 | 0,030 | — | |
| | N80 | 1 | — | — | — | — | — | — | — | — | — | — | 0,030 | 0,030 | — | |
| | N80 | Q | — | — | — | — | — | — | — | — | — | — | 0,030 | 0,030 | — | |
| | K55 | Q | — | — | — | — | — | — | — | — | — | — | 0,030 | 0,030 | — | |
| 2 | M65 | — | — | — | — | — | — | — | — | — | — | — | 0,030 | 0,030 | — | |
| | L80 | 1 | — | 0,43 ^a | — | 1,90 | — | — | — | — | 0,25 | 0,35 | 0,030 | 0,030 | 0,45 | |
| | L80 | 9Cr | — | 0,15 | 0,30 | 0,60 | 0,90 | 1,10 | 8,00 | 10,0 | 0,50 | 0,25 | 0,020 | 0,010 | 1,00 | |
| | L80 | 13Cr | 0,15 | 0,22 | 0,25 | 1,00 | — | — | 12,0 | 14,0 | 0,50 | 0,25 | 0,020 | 0,010 | 1,00 | |
| | C90 | 1 | — | 0,35 | — | 1,20 | 0,25 ^b | 0,85 | — | 1,50 | 0,99 | — | 0,020 | 0,010 | — | |
| | | | | | | | | | | | | | | | | |
| | T95 | 1 | — | 0,35 | — | 1,20 | 0,25 ^d | 0,85 | 0,40 | 1,50 | 0,99 | — | 0,020 | 0,010 | — | |
| K55 | Q | — | — | — | — | — | — | — | — | — | — | — | 0,020 | 0,010 | — | |
| 3 | P110 | e | — | — | — | — | — | — | — | — | — | — | 0,020 | 0,005 | — | |
| 4 | Q125 | 1 | — | 0,35 | — | 1,35 | — | 0,85 | — | 1,50 | 0,99 | — | 0,030 ^b | 0,030 ^e | — | |
| | | | | | | | | | | | | | 0,020 | 0,010 | — | |

^a The carbon content for L80 may be increased up to 0,50 % maximum if the product is oil-quenched.
^b The molybdenum content for Grade C90 Type 1 has no minimum tolerance if the wall thickness is less than 17,78 mm.
^c The carbon content for ~~K55~~ may be increased up to 0,55 % maximum if the product is oil-quenched.
^d The molybdenum content for T95 Type 1 may be decreased to 0,15 % minimum if the wall thickness is less than 17,78 mm.
^e For EW Grade P110, the phosphorus content shall be 0,020 % maximum and the sulfur content 0,010 % maximum.
 NL = no limit. Elements shown shall be reported in product analysis.

Table C.5 — Tensile and hardness requirements

| Group | Grade | Type | Total elongation under load % | Yield strength MPa | | Tensile strength min. MPa | Hardness ^a max. | | Specified wall thickness mm | Allowable hardness variation ^b HRC |
|-------|-------|------|----------------------------------|-----------------------|------|---------------------------------|-------------------------------|-----|--|--|
| | | | | min. | max. | | HRC | HBW | | |
| 1 | 2 | 3 | 4 | 5 | 6 | 7 | 8 | 9 | 10 | 11 |
| 1 | H40 | — | 0,5 | 276 | 552 | 414 | — | — | — | — |
| | J55 | — | 0,5 | 379 | 552 | 517 | — | — | — | — |
| | K55 | — | 0,5 | 379 | 552 | 655 | — | — | — | — |
| | N80 | 1 | 0,5 | 552 | 758 | 689 | — | — | — | — |
| | N80 | Q | 0,5 | 552 | 758 | 689 | — | — | — | — |
| 2 | M65 | — | 0,5 | 448 | 586 | 586 | 22 | 235 | — | — |
| | L80 | 1 | 0,5 | 552 | 655 | 655 | 23 | 241 | — | — |
| | L80 | 9Cr | 0,5 | 552 | 655 | 655 | 23 | 241 | — | — |
| | L80 | 13Cr | 0,5 | 552 | 655 | 655 | 23 | 241 | — | — |
| | C90 | 1 | 0,5 | 621 | 724 | 689 | 25,4 | 255 | ≤ 12,70 12,71 to 19,04 19,05 to 25,39 ≥ 25,40 | 3,0 4,0 5,0 6,0 |
| | T95 | 1 | 0,5 | 655 | 758 | 724 | 25,4 | 255 | ≤ 12,70 12,71 to 19,04 19,05 to 25,39 ≥ 25,40 | 3,0 4,0 5,0 6,0 |
| | 3 | P110 | — | 0,6 | 758 | 965 | 862 | — | — | — |
| 4 | Q125 | 1 | 0,65 | 862 | 1034 | 931 | b | — | ≤ 12,70 12,71 to 19,04 ≥ 19,05 | 3,0 4,0 5,0 |

^a In case of disputes, laboratory Rockwell C hardness testing shall be used as the referee method.

^b No hardness limits are specified, but the maximum variation is restricted as a manufacturing control in accordance with 7.8 and 7.9.



Standard Specification for Seamless Ferritic and Austenitic Alloy-Steel Boiler, Superheater, and Heat-Exchanger Tubes¹

This standard is issued under the fixed designation A213/A213M; the number immediately following the designation indicates the year of original adoption or, in the case of revision, the year of last revision. A number in parentheses indicates the year of last reappraisal. A superscript epsilon (ϵ) indicates an editorial change since the last revision or reappraisal.

This standard has been approved for use by agencies of the Department of Defense.

1. Scope*

1.1 This specification² covers seamless ferritic and austenitic steel boiler, superheater, and heat-exchanger tubes, designated Grades T5, TP304, etc. These steels are listed in [Tables 1 and 2](#).

1.2 Grades containing the letter, H, in their designation, have requirements different from those of similar grades not containing the letter, H. These different requirements provide higher creep-rupture strength than normally achievable in similar grades without these different requirements.

1.3 The tubing sizes and thicknesses usually furnished to this specification are $\frac{1}{8}$ in. [3.2 mm] in inside diameter to 5 in. [127 mm] in outside diameter and 0.015 to 0.500 in. [0.4 to 12.7 mm], inclusive, in minimum wall thickness or, if specified in the order, average wall thickness. Tubing having other diameters may be furnished, provided such tubes comply with all other requirements of this specification.

1.4 The values stated in either SI units or inch-pound units are to be regarded separately as standard. Within the text, the SI units are shown in brackets. The values stated in each system may not be exact equivalents; therefore, each system shall be used independently of the other. Combining values from the two systems may result in non-conformance with the standard. The inch-pound units shall apply unless the “M” designation of this specification is specified in the order.

2. Referenced Documents

2.1 *ASTM Standards*:³

[A262 Practices for Detecting Susceptibility to Intergranular](#)

¹ This specification is under the jurisdiction of ASTM Committee A01 on Steel, Stainless Steel and Related Alloys and is the direct responsibility of Subcommittee A01.10 on Stainless and Alloy Steel Tubular Products.

Current edition approved April 1, 2009. Published April 2009. Originally approved in 1939. Last previous edition approved in 2009 as A213/A213M – 09. DOI: 10.1520/A0213_A0213M-09A.

² For ASME Boiler and Pressure Vessel Code applications see related Specification SA-213 in Section II of that Code.

³ For referenced ASTM standards, visit the ASTM website, www.astm.org, or contact ASTM Customer Service at service@astm.org. For *Annual Book of ASTM Standards* volume information, refer to the standard’s Document Summary page on the ASTM website.

[Attack in Austenitic Stainless Steels](#)

[A941 Terminology Relating to Steel, Stainless Steel, Related Alloys, and Ferroalloys](#)

[A1016/A1016M Specification for General Requirements for Ferritic Alloy Steel, Austenitic Alloy Steel, and Stainless Steel Tubes](#)

[E112 Test Methods for Determining Average Grain Size](#)

3. Terminology

3.1 *Definitions*—For definitions of terms used in this specification, refer to Terminology [A941](#).

4. Ordering Information

4.1 It shall be the responsibility of the purchaser to specify all requirements that are necessary for products under this specification. Such requirements to be considered include, but are not limited to, the following:

4.1.1 Quantity (feet, metres, or number of lengths),

4.1.2 Name of material (seamless tubes),

4.1.3 Grade ([Tables 1 and 2](#)),

4.1.4 Condition (hot finished or cold finished),

4.1.5 Controlled structural characteristics (see [6.3](#)),

4.1.6 Size (outside diameter and minimum wall thickness, unless average wall thickness is specified),

4.1.7 Length (specific or random),

4.1.8 Hydrostatic Test or Nondestructive Electric Test (see [10.1](#)),

4.1.9 Specification designation and year of issue,

4.1.10 Increased sulfur (for machinability, see Note B, [Table 1](#), and [15.3](#)), and

4.1.11 Special requirements and any supplementary requirements selected.

5. General Requirements

5.1 Product furnished to this specification shall conform to the requirements of Specification [A1016/A1016M](#), including any supplementary requirements that are indicated in the purchase order. Failure to comply with the general requirements of Specification [A1016/A1016M](#) constitutes nonconformance with this specification. In case of conflict between the

*A Summary of Changes section appears at the end of this standard.

TABLE 1 Chemical Composition Limits, %^A, for Low Alloy Steel

| Grade | UNS Designation | Composition, % | | | | | | | | | | | | | | |
|-------|-----------------|----------------|-----------|------------|--------------------|-----------|-----------|------------|------------|-----------|--------------|-------------|-------------|----------|----------------|---------------------------------------|
| | | Carbon | Manganese | Phosphorus | Sulfur | Silicon | Nickel | Chromium | Molybdenum | Vanadium | Boron | Niobium | Nitrogen | Aluminum | Tungsten | Other Elements |
| T2 | K11547 | 0.10–0.20 | 0.30–0.61 | 0.025 | 0.025 ^B | 0.10–0.30 | ... | 0.50–0.81 | 0.44–0.65 | ... | ... | ... | ... | ... | ... | |
| T5 | K41545 | 0.15 | 0.30–0.60 | 0.025 | 0.025 | 0.50 | ... | 4.00–6.00 | 0.45–0.65 | ... | ... | ... | ... | ... | ... | |
| T5b | K51545 | 0.15 | 0.30–0.60 | 0.025 | 0.025 | 1.00–2.00 | ... | 4.00–6.00 | 0.45–0.65 | ... | ... | ... | ... | ... | ... | |
| T5c | K41245 | 0.12 | 0.30–0.60 | 0.025 | 0.025 | 0.50 | ... | 4.00–6.00 | 0.45–0.65 | ... | ... | ... | ... | ... | Ti 4xC–0.70 | |
| T9 | K90941 | 0.15 | 0.30–0.60 | 0.025 | 0.025 | 0.25–1.00 | ... | 8.00–10.00 | 0.90–1.10 | ... | ... | ... | ... | ... | ... | |
| T11 | K11597 | 0.05–0.15 | 0.30–0.60 | 0.025 | 0.025 | 0.50–1.00 | ... | 1.00–1.50 | 0.44–0.65 | ... | ... | ... | ... | ... | ... | |
| T12 | K11562 | 0.05–0.15 | 0.30–0.61 | 0.025 | 0.025 ^B | 0.50 | ... | 0.80–1.25 | 0.44–0.65 | ... | ... | ... | ... | ... | ... | |
| T17 | K12047 | 0.15–0.25 | 0.30–0.61 | 0.025 | 0.025 | 0.15–0.35 | ... | 0.80–1.25 | ... | 0.15 | ... | ... | ... | ... | ... | |
| T21 | K31545 | 0.05–0.15 | 0.30–0.60 | 0.025 | 0.025 | 0.50–1.00 | ... | 2.65–3.35 | 0.80–1.06 | ... | ... | ... | ... | ... | ... | |
| T22 | K21590 | 0.05–0.15 | 0.30–0.60 | 0.025 | 0.025 | 0.50 | ... | 1.90–2.60 | 0.87–1.13 | ... | ... | ... | ... | ... | ... | |
| T23 | K40712 | 0.04–0.10 | 0.10–0.60 | 0.030 | 0.010 | 0.50 | ... | 1.90–2.60 | 0.05–0.30 | 0.20–0.30 | 0.0005–0.006 | 0.02–0.08 | 0.03 | 0.030 | 1.45–1.75 | ... |
| T24 | K30736 | 0.05–0.10 | 0.30–0.70 | 0.020 | 0.010 | 0.15–0.45 | ... | 2.20–2.60 | 0.90–1.10 | 0.20–0.30 | 0.0015–0.007 | ... | 0.012 | 0.02 | ... | Ti 0.06–0.10 |
| T36 | K21001 | 0.10–0.17 | 0.80–1.20 | 0.030 | 0.025 | 0.25–0.50 | 1.00–1.30 | 0.30 | 0.25–0.50 | 0.02 | ... | 0.015–0.045 | 0.02 | 0.050 | ... | Cu 0.50–0.80 |
| T91 | K90901 | 0.07–0.14 | 0.30–0.60 | 0.020 | 0.010 | 0.20–0.50 | 0.40 | 8.0–9.5 | 0.85–1.05 | 0.18–0.25 | ... | 0.06–0.10 | 0.030–0.070 | 0.02 | ... | Ti 0.01 Zr 0.01 |
| T92 | K92460 | 0.07–0.13 | 0.30–0.60 | 0.020 | 0.010 | 0.50 | 0.40 | 8.5–9.5 | 0.30–0.60 | 0.15–0.25 | 0.001–0.006 | 0.04–0.09 | 0.030–0.070 | 0.02 | 1.5–2.00 | Ti 0.01 Zr 0.01 |
| T122 | K91271 | 0.07–0.14 | 0.70 | 0.020 | 0.010 | 0.50 | 0.50 | 10.0–11.5 | 0.25–0.60 | 0.15–0.30 | 0.0005–0.005 | 0.04–0.10 | 0.040–0.100 | 0.02 | 1.50–2.50 | Cu 0.30–1.70 Ti 0.01 Zr 0.01 |
| T911 | K91061 | 0.09–0.13 | 0.30–0.60 | 0.020 | 0.010 | 0.10–0.50 | 0.40 | 8.5–9.5 | 0.90–1.10 | 0.18–0.25 | 0.0003–0.006 | 0.06–0.10 | 0.040–0.090 | 0.02 | 0.90–1.10 | Ti 0.01 Zr 0.01 |

^A Maximum, unless range or minimum is indicated. Where ellipses (...) appear in this table, there is no requirement, and analysis for the element need not be determined or reported.

^B It is permissible to order T2 and T12 with a sulfur content of 0.045 max. See 15.3.

requirements of this specification and Specification **A1016/A1016M**, this specification shall prevail.

6. Materials and Manufacture

6.1 *Manufacture and Condition*—Tubes shall be made by the seamless process and shall be either hot finished or cold finished, as specified. Grade TP347HFG shall be cold finished.

6.2 *Heat Treatment:*

6.2.1 *Ferritic Alloy and Ferritic Stainless Steels*—The ferritic alloy and ferritic stainless steels shall be reheated for heat treatment in accordance with the requirements of Table 3. Heat treatment shall be carried out separately and in addition to heating for hot forming.

6.2.2 *Austenitic Stainless Steels*—All austenitic tubes shall be furnished in the heat-treated condition, and shall be heat treated in accordance with the requirements of Table 3. Alternatively, immediately after hot forming, while the temperature of the tubes is not less than the minimum solution treatment temperature specified in Table 3, tubes may be individually quenched in water or rapidly cooled by other means (direct quenched).

6.3 If any controlled structural characteristics are required, these shall be so specified in the order as to be a guide as to the most suitable heat treatment.

TABLE 2 Chemical Composition Limits, %^A, for Austenitic and Ferritic Stainless Steel

| Grade | UNS Designation | Composition | | | | | | | | | | | |
|------------------------|-----------------|--------------------|-----------|------------|--------|-----------|-----------|-----------|------------|-----------------------|------------------------|------------------------|--|
| | | Carbon | Manganese | Phosphorus | Sulfur | Silicon | Chromium | Nickel | Molybdenum | Nitrogen ^B | Niobium | Titanium | Other Elements |
| TP201 | S20100 | 0.15 | 5.5–7.5 | 0.060 | 0.030 | 1.00 | 16.0–18.0 | 3.5–5.5 | ... | 0.25 | ... | ... | ... |
| TP202 | S20200 | 0.15 | 7.5–10.0 | 0.060 | 0.030 | 1.00 | 17.0–19.0 | 4.0–6.0 | ... | .025 | ... | ... | ... |
| XM-19 ^C | S20910 | 0.06 | 4.0–6.0 | 0.045 | 0.030 | 1.00 | 20.5–23.5 | 11.5–13.5 | 1.50–3.00 | 0.20–0.40 | 0.10–0.30 | ... | V 0.10–0.30 |
| | S21500 | 0.06–0.15 | 5.5–7.0 | 0.045 | 0.030 | 0.20–1.00 | 14.0–16.0 | 9.0–11.0 | 0.80–1.20 | ... | 0.75–1.25 | ... | B 0.003–0.009, V 0.15–0.40 |
| ^C | S25700 | 0.02 | 2.00 | 0.025 | 0.010 | 6.5–8.0 | 8.0–11.5 | 22.0–25.0 | 0.50 | ... | ... | ... | ... |
| | S30400 | 0.08 | 2.00 | 0.045 | 0.030 | 1.00 | 18.0–20.0 | 8.0–11.0 | ... | ... | ... | ... | ... |
| TP304 | S30403 | 0.035 ^D | 2.00 | 0.045 | 0.030 | 1.00 | 18.0–20.0 | 8.0–12.0 | ... | ... | ... | ... | ... |
| TP304H ^C | S30409 | 0.04–0.10 | 2.00 | 0.045 | 0.030 | 1.00 | 18.0–20.0 | 8.0–11.0 | ... | ... | ... | ... | ... |
| | S30432 | 0.07–0.13 | 1.00 | 0.040 | 0.010 | 0.30 | 17.0–19.0 | 7.5–10.5 | ... | 0.05–0.12 | 0.30–0.60 | ... | Al 0.003–0.030, B 0.001–0.010, Cu 2.5–3.5 |
| ^C | S30434 | 0.07–0.14 | 2.00 | 0.040 | 0.010 | 1.00 | 17.5–19.5 | 9.0–12.0 | ... | ... | 0.10–0.40 ^E | 0.10–0.25 ^E | B 0.001–0.004 Cu 2.50–3.50 |
| | | | | | | | | | | | | | Al 0.8–1.5 Ce 0.03–0.08 |
| TP304N | S30451 | 0.08 | 2.00 | 0.045 | 0.030 | 1.00 | 18.0–20.0 | 8.0–11.0 | ... | 0.10–0.16 | ... | ... | ... |
| TP304LN ^C | S30453 | 0.035 ^D | 2.00 | 0.045 | 0.030 | 1.00 | 18.0–20.0 | 8.0–11.0 | ... | 0.10–0.16 | ... | ... | ... |
| | S30615 | 0.016–0.24 | 2.00 | 0.030 | 0.030 | 3.2–4.0 | 17.0–19.5 | 13.5–16.0 | ... | ... | ... | ... | Al 0.8–1.5 |
| ^C | S30815 | 0.05–0.10 | 0.80 | 0.040 | 0.030 | 1.40–2.00 | 20.0–22.0 | 10.0–12.0 | ... | 0.14–0.20 | ... | ... | Ce 0.03–0.08 |
| | S30908 | 0.08 | 2.00 | 0.045 | 0.030 | 1.00 | 22.0–24.0 | 12.0–15.0 | ... | ... | ... | ... | ... |
| TP309S | S30908 | 0.08 | 2.00 | 0.045 | 0.030 | 1.00 | 22.0–24.0 | 12.0–15.0 | ... | ... | ... | ... | ... |
| TP309H | S30909 | 0.04–0.10 | 2.00 | 0.045 | 0.030 | 1.00 | 22.0–24.0 | 12.0–15.0 | ... | ... | ... | ... | ... |
| TP309LMoN | S30925 | 0.025 | 2.00 | 0.040 | 0.030 | 0.70 | 23.0–26.0 | 13.0–16.0 | 0.5–1.2 | 0.25–0.40 | ... | ... | ... |
| TP309Cb | S30940 | 0.08 | 2.00 | 0.045 | 0.030 | 1.00 | 22.0–24.0 | 12.0–16.0 | ... | ... | 10xC–1.10 | ... | ... |
| TP309HCb ^C | S30941 | 0.04–0.10 | 2.00 | 0.045 | 0.030 | 1.00 | 22.0–24.0 | 12.0–16.0 | ... | ... | 10xC–1.10 | ... | ... |
| | S30942 | 0.03–0.10 | 2.00 | 0.040 | 0.030 | 1.00 | 21.0–23.0 | 14.5–16.5 | ... | 0.10–0.20 | 0.50–0.80 | ... | B=0.001–0.005 |
| ^C | S31002 | 0.02 | 2.00 | 0.020 | 0.015 | 0.15 | 24.0–26.0 | 19.0–22.0 | 0.10 | 0.10 | ... | ... | ... |
| | S31008 | 0.08 | 2.00 | 0.045 | 0.030 | 1.00 | 24.0–26.0 | 19.0–22.0 | ... | ... | ... | ... | ... |
| TP310S | S31008 | 0.08 | 2.00 | 0.045 | 0.030 | 1.00 | 24.0–26.0 | 19.0–22.0 | ... | ... | ... | ... | ... |
| TP310H | S31009 | 0.04–0.10 | 2.00 | 0.045 | 0.030 | 1.00 | 24.0–26.0 | 19.0–22.0 | ... | ... | ... | ... | ... |
| TP310MoCbN | S31025 | 0.10 | 1.50 | 0.030 | 0.030 | 1.00 | 19.5–23.0 | 23.0–26.0 | 1.0–2.0 | 0.10–0.25 | 0.10–0.40 | 0.20 | B 0.002–0.010 W 2.0–4.0 Co 1.0–2.0 Cu 2.0–3.5 |
| | S31035 | 0.04–0.10 | 0.60 | 0.030 | 0.015 | 0.40 | 21.5–23.5 | 23.5–26.5 | ... | 0.15–0.30 | 0.30–0.60 | ... | B 0.002–0.008 Cu 2.0–3.5 |
| TP310Cb | S31040 | 0.08 | 2.00 | 0.045 | 0.030 | 1.00 | 24.0–26.0 | 19.0–22.0 | ... | ... | 10xC–1.10 | ... | ... |
| TP310HCb | S31041 | 0.04–0.10 | 2.00 | 0.045 | 0.030 | 1.00 | 24.0–26.0 | 19.0–22.0 | ... | ... | 10xC–1.10 | ... | ... |
| TP310HCbN | S31042 | 0.04–0.10 | 2.00 | 0.045 | 0.030 | 1.00 | 24.0–26.0 | 19.0–22.0 | ... | 0.15–0.35 | 0.20–0.60 | ... | ... |
| TP310MoLN ^C | S31050 | 0.025 | 2.00 | 0.020 | 0.030 | 0.40 | 24.0–26.0 | 21.0–23.0 | 2.00–3.00 | 0.10–0.16 | ... | ... | ... |
| | S31060 | 0.05–0.10 | 1.00 | 0.040 | 0.030 | 0.50 | 22.0–24.0 | 10.0–12.5 | ... | 0.18–0.25 | ... | ... | Ce + La 0.025–0.070 B 0.001–0.010 |
| ^C | S31254 | 0.020 | 1.00 | 0.030 | 0.010 | 0.80 | 19.5–20.5 | 17.5–18.5 | 6.0–6.5 | 0.18–0.22 | ... | ... | Cu 0.50–1.00 |
| | S31272 | 0.08–0.12 | 1.50–2.00 | 0.030 | 0.015 | 0.30–0.70 | 14.0–16.0 | 14.0–16.0 | 1.00–1.40 | ... | ... | 0.30–0.60 | B 0.004–0.008 |
| ^C | S31277 | 0.020 | 3.00 | 0.030 | 0.010 | 0.50 | 20.5–23.0 | 26.0–28.0 | 6.5–8.0 | 0.30–0.40 | ... | ... | Cu 0.50–1.50 |
| | S31600 | 0.08 | 2.00 | 0.045 | 0.030 | 1.00 | 16.0–18.0 | 10.0–14.0 | 2.00–3.00 | ... | ... | ... | ... |

TABLE 2 Continued

| Grade | UNS Designation | Composition | | | | | | | | | | | |
|--------------|-----------------|--------------------|-----------|------------|--------|-----------|-----------|--------------|------------|-----------------------|------------------------|------------------------|-------------------------------|
| | | Carbon | Manganese | Phosphorus | Sulfur | Silicon | Chromium | Nickel | Molybdenum | Nitrogen ^B | Niobium | Titanium | Other Elements |
| TP316L | S31603 | 0.035 ^D | 2.00 | 0.045 | 0.030 | 1.00 | 16.0–18.0 | 10.0–14.0 | 2.00–3.00 | ... | ... | ... | ... |
| TP316H | S31609 | 0.04–0.10 | 2.00 | 0.045 | 0.030 | 1.00 | 16.0–18.0 | 11.0–14.0 | 2.00–3.00 | ... | ... | ... | ... |
| TP316Ti | S31635 | 0.08 | 2.00 | 0.045 | 0.030 | 0.75 | 16.0–18.0 | 10.0–14.0 | 2.00–3.00 | 0.10 | ... | 5X (C + N)– 0.70 | ... |
| TP316N | S31651 | 0.08 | 2.00 | 0.045 | 0.030 | 1.00 | 16.0–18.0 | 10.0–13.0 | 2.00–3.00 | 0.10–0.16 | ... | ... | ... |
| TP316LN | S31653 | 0.035 ^D | 2.00 | 0.045 | 0.030 | 1.00 | 16.0–18.0 | 10.0–13.0 | 2.00–3.00 | 0.10–0.16 | ... | ... | ... |
| TP317 | S31700 | 0.08 | 2.00 | 0.045 | 0.030 | 1.00 | 18.0–20.0 | 11.0–15.0 | 3.0–4.0 | ... | ... | ... | ... |
| TP317L | S31703 | 0.035 | 2.00 | 0.045 | 0.030 | 1.00 | 18.0–20.0 | 11.0–15.0 | 3.0–4.0 | ... | ... | ... | ... |
| TP317LM | S31725 | 0.03 | 2.00 | 0.045 | 0.030 | 1.00 | 18.0–20.0 | 13.5–17.5 | 4.0–5.0 | 0.20 | ... | ... | Cu 0.75 |
| TP317LMN | S31726 | 0.03 | 2.00 | 0.045 | 0.030 | 1.00 | 17.0–20.0 | 13.5–17.5 | 4.0–5.0 | 0.10–0.20 | ... | ... | Cu 0.75 |
| ^c | S32050 | 0.030 | 1.50 | 0.035 | 0.020 | 1.00 | 22.0–24.0 | 20.0–23.0 | 6.0–6.8 | 0.21–0.32 | ... | ... | Cu 0.40 |
| TP321 | S32100 | 0.08 | 2.00 | 0.045 | 0.030 | 1.00 | 17.0–19.0 | 9.0–12.0 | ... | ... | ... | 5(C + N)– 0.70 | ... |
| TP321H | S32109 | 0.04–0.10 | 2.00 | 0.045 | 0.030 | 1.00 | 17.0–19.0 | 9.0–12.0 | ... | ... | ... | 4(C + N)– 0.70 | ... |
| ^c | S32615 | 0.07 | 2.00 | 0.045 | 0.030 | 4.8–6.0 | 16.5–19.5 | 19.0–22.0 | 0.30–1.50 | ... | ... | ... | Cu 1.50– 2.50 |
| ^c | S33228 | 0.04–0.08 | 1.00 | 0.020 | 0.015 | 0.30 | 26.0–28.0 | 31.0–33.0 | ... | ... | 0.60–1.00 | ... | Ce 0.05– 0.10, Al 0.025 |
| ^c | S34565 | 0.030 | 5.0–7.0 | 0.030 | 0.010 | 1.00 | 23.0–25.0 | 16.0–18.0 | 4.0–5.0 | 0.40–0.60 | 0.10 | ... | ... |
| TP347 | S34700 | 0.08 | 2.00 | 0.045 | 0.030 | 1.00 | 17.0–20.0 | 9.0–13.0 | ... | ... | 10xC–1.10 | ... | ... |
| TP347W | S34705 | 0.05 | 2.00 | 0.040 | 0.030 | 1.00 | 17.0–20.0 | 8.00–11.0 | ... | 0.10–0.25 | 0.25–0.50 | ... | V 0.20–0.50 W 1.50–2.60 |
| TP347H | S34709 | 0.04–0.10 | 2.00 | 0.045 | 0.030 | 1.00 | 17.0–19.0 | 9.0–13.0 | ... | ... | 8xC–1.10 | ... | ... |
| TP347HFG | S34710 | 0.06–0.10 | 2.00 | 0.045 | 0.030 | 1.00 | 17.0–19.0 | 9.0–13.0 | ... | ... | 8xC–1.10 | ... | ... |
| TP347LN | S34751 | 0.005–0.020 | 2.00 | 0.045 | 0.030 | 1.00 | 17.0–19.0 | 9.0–12.0 | ... | 0.06–0.10 | 0.20–0.50 ^F | ... | ... |
| TP348 | S34800 | 0.08 | 2.00 | 0.045 | 0.030 | 1.00 | 17.0–19.0 | 9.0–13.0 | ... | ... | ^G | ... | Co 0.20, Ta 0.10 |
| TP348H | S34809 | 0.04–0.10 | 2.00 | 0.045 | 0.030 | 1.00 | 17.0–19.0 | 9.0–13.0 | ... | ... | ^H | ... | Co 0.20, Ta 0.10 |
| ... | S35045 | 0.06–0.10 | 1.50 | 0.045 | 0.015 | 1.00 | 25.0–29.0 | 32.0–37.0 | ... | ... | ... | 0.15–0.60 | Al 0.15–0.60 Cu 0.75 |
| XM-15 | S38100 | 0.08 | 2.00 | 0.030 | 0.030 | 1.50–2.50 | 17.0–19.0 | 17.5–18.5 | ... | ... | ... | ... | ... |
| ... | S38815 | 0.030 | 2.00 | 0.040 | 0.020 | 5.5–6.5 | 13.0–15.0 | 15.0–17.0 | 0.75–1.50 | ... | ... | ... | Cu 0.75–1.50 Al 0.30 |
| ... | N08925 | 0.020 | 1.00 | 0.045 | 0.030 | 0.50 | 19.0–21.0 | 24.0–26.0 | 6.0–7.0 | 0.10–0.20 | ... | ... | Cu 0.80–1.50 |
| ... | N08926 | 0.020 | 2.00 | 0.030 | 0.010 | 0.50 | 19.0–21.0 | 24.0–26.0 | 6.0–7.0 | 0.15–0.25 | ... | ... | Cu 0.50–1.50 |
| TP444 | S44400 | 0.03 | 1.00 | 0.040 | 0.030 | 1.00 | 17.5–19.5 | ^I | 1.75–2.50 | 0.035 | ... | ^J | ... |

^AMaximum, unless a range or minimum is indicated. Where ellipses (...) appear in this table, there is no minimum and analysis for the element need not be determined or reported.

^BThe method of analysis for Nitrogen shall be a matter of agreement between the purchaser and the producer.

^CFor these alloys, there is no common grade designation. The UNS number uniquely identifies these alloys.

^DFor small diameter or thin walls, or both, where many drawing passes are required, a carbon maximum of 0.040% is necessary in Grades TP304L, TP304LN, TP316L, and TP316LN.

^EGrade S30434 shall have (Ti + ½ Nb) of not less than 2 times and not more than 4 times the carbon content.

^FGrade TP347LN shall have an Nb content of not less than 15 times the carbon content.

^GGrade TP348 shall have an Nb + Ta content of not less than 10 times the carbon content and not more than 1.10%.

^HGrade TP348H shall have an Nb + Ta content of not less than 8 times the carbon content and not more than 1.10%.

^IGrade TP444 shall have Ni + Cu = 1.00 max.

^JGrade TP444 shall have Ti + Nb = 0.20 + 4(C + N)–0.80.

7. Chemical Composition

7.1 Composition Requirements:

7.1.1 The alloy steels shall conform to the chemical requirements given in [Table 1](#).

7.1.2 The stainless steels shall conform to the chemical requirements given in [Table 2](#).

7.2 Product Analysis:

7.2.1 An analysis of either one billet or one tube shall be made from each heat. The chemical composition thus determined shall conform to the requirements specified.

7.2.2 If the original test for product analysis fails, retests of two additional billets or tubes shall be made. Both retests, for the elements in question, shall meet the requirements of the specification; otherwise all remaining material in the heat shall be rejected or, at the option of the producer, each billet or tube may be individually tested for acceptance. Billets or tubes that do not meet the requirements of the specification shall be rejected.

8. Grain Size

8.1 Grain size shall be as given in [Table 3](#), as determined in accordance with Test Methods [E112](#).

8.2 Grain size determinations, to demonstrate compliance with [8.1](#), shall be made on one end of one finished tube from each lot. See [14.1](#).

9. Mechanical Properties

9.1 Tensile Requirements:

9.1.1 The material shall conform to the requirements as to tensile properties given in [Table 4](#).

9.1.2 [Table 5](#) gives the computed minimum elongation values for each $\frac{1}{32}$ -in. [0.8-mm] decrease in wall thickness. Where the wall thickness lies between two values shown in [Table 5](#), the minimum elongation value shall be determined by the following equations. For Grades T23, T24, T91, T92, T122, T911, and S44400: $E = 32t + 10.00$ [$E = 1.25t + 10.00$]. For Grade T36: $E = 32t + 5.0$ [$E = 1.25t + 5.0$]. For all other ferritic alloy grades: $E = 48t + 15.00$ [$E = 1.87t + 15.00$].

where:

E = elongation in 2 in. [50 mm], %, and

t = actual thickness of specimen, in. [mm].

9.1.3 One tension test shall be made on a specimen from one tube for lots of not more than 50 tubes. Tension tests shall be made on specimens from two tubes for lots of more than 50 tubes. See [14.2](#).

9.2 Hardness Requirements:

9.2.1 The material shall conform to the hardness requirements given in [Table 4](#). See [14.2](#).

9.2.2 Brinell, Vickers, or Rockwell hardness tests shall be made on specimens from two tubes from each lot. See [14.2](#).

9.3 *Flattening Test*—One flattening test shall be made on specimens from each end of one finished tube, not the one used for the flaring test, from each lot. See [14.1](#).

9.4 *Flaring Test*—One flaring test shall be made on specimens from each end of one finished tube, not the one used for the flattening test, from each lot. See [14.1](#).

9.5 Mechanical property requirements do not apply to tubing smaller than $\frac{1}{8}$ in. [3.2 mm] in inside diameter or thinner than 0.015 in. [0.4 mm] in thickness.

10. Hydrostatic or Nondestructive Electric Test

10.1 Each tube shall be subjected to the nondestructive electric test or the hydrostatic test. The type of test to be used shall be at the option of the manufacturer, unless otherwise specified in the purchase order.

11. Forming Operations

11.1 Tubes, when inserted in a boiler or tube sheet, shall stand expanding and beading without showing cracks or flaws. Superheater tubes when properly manipulated shall stand all forging, welding, and bending operations necessary for application without developing defects. See [Note 1](#).

NOTE 1—Certain of the ferritic steels covered by this specification will harden if cooled rapidly from above their critical temperature. Some will air harden, that is, become hardened to an undesirable degree when cooled in air from high temperatures, particularly chromium-containing steels with chromium of 4 % and higher. Therefore, operations that involve heating such steels above their critical temperatures, such as welding, flanging, and hot bending, should be followed by suitable heat treatment.

12. Permissible Variations from the Specified Wall Thickness

12.1 Permissible variations from the specified minimum wall thickness shall be in accordance with Specification [A1016/A1016M](#).

12.2 Permissible variations from the specified average wall thickness shall be $\pm 10\%$ of the specified average wall thickness for cold formed tubes and, unless otherwise specified by the purchaser, shall be in accordance with [Table 6](#) for hot formed tubes.

13. Surface Condition

13.1 Ferritic alloy cold-finished steel tubes shall be free of scale and suitable for inspection. A slight amount of oxidation is not considered scale.

13.2 Ferritic alloy hot-finished steel tubes shall be free of loose scale and suitable for inspection.

13.3 Stainless steel tubes shall be pickled free of scale. When bright annealing is used, pickling is not necessary.

13.4 Any special finish requirement shall be subject to agreement between the supplier and the purchaser.

14. Sampling

14.1 For flattening, flaring, and grain size requirements, the term lot applies to all tubes, prior to cutting, of the same size (see [4.1.6](#)) that are produced from the same heat of steel. When final heat treatment is in a batch-type furnace, a lot shall include only those tubes of the same size and from the same heat that are heat treated in the same furnace charge. When the final heat treatment is in a continuous furnace or when the heat-treated condition is obtained directly by quenching after hot forming, the number of tubes of the same size and from the same heat in a lot shall be determined from the size of the tubes as prescribed in [Table 7](#).

TABLE 3 Heat Treatment and Grain Size Requirements^A

| Grade | UNS Number | Heat Treat Type | Austenitizing/ Solutioning Temperature, min or range °F [°C] | Cooling Media | Subcritical Annealing or Tempering Temperature, min or range °F [°C] | ASTM Grain Size No. ^B |
|------------------------------------|------------|---|---|---------------------------|---|-------------------------------------|
| Ferritic Alloy Steels | | | | | | |
| T2 | K11547 | full or isothermal anneal normalize and temper subcritical anneal | | | 1200 to 1350 [650 to 730] | |
| T5 | K41545 | full or isothermal anneal normalize and temper | | | ... 1250 [675] | |
| T5b | K51545 | full or isothermal anneal normalize and temper | | | ... 1250 [675] | |
| T5c | K41245 | subcritical anneal | ... | air or furnace | 1350 [730] ^C | ... |
| T9 | S50400 | full or isothermal anneal normalize and temper | | | ... 1250 [675] | |
| T11 | K11597 | full or isothermal anneal normalize and temper | | | ... 1200 [650] | |
| T12 | K11562 | full or isothermal anneal normalize and temper subcritical anneal | | | 1200 to 1350 [650 to 730] | |
| T17 | K12047 | full or isothermal anneal normalize and temper | | | ... 1200 [650] | |
| T21 | K31545 | full or isothermal anneal normalize and temper | | | ... 1250 [675] | |
| T22 | K21590 | full or isothermal anneal normalize and temper | | | ... 1250 [675] | |
| T23 | K40712 | normalize and temper | 1900–1975 [1040–1080] | ... | 1350–1470 [730–800] | ... |
| T24 | K30736 | normalize and temper | 1800–1975 [980–1080] | ... | 1350–1470 [730–800] | ... |
| T36 | K21001 | normalize and temper | 1650 [900] | <i>D</i> | 1100 [595] | ... |
| T91 | K90901 | normalize and temper | 1900–1975 [1040–1080] | ... | 1350–1470 [730–800] | ... |
| T92 | K92460 | normalize and temper | 1900–1975 [1040–1080] | ... | 1350–1470 [730–800] | ... |
| T122 | K91261 | normalize and temper | 1900–1975 [1040–1080] | ... | 1350–1470 [730–800] | ... |
| T911 | K91061 | normalize and temper | 1900–1975 [1040–1080] | <i>E</i> | 1365–1435 [740–780] | ... |
| Austenitic Stainless Steels | | | | | | |
| TP201 | S20100 | solution treatment | 1900 [1040] ^F | water or other rapid cool | ... | ... |
| TP202 | S20200 | solution treatment | 1900 [1040] ^F | water or other rapid cool | ... | ... |
| XM-19 | S20910 | solution treatment | 1900 [1040] ^F | water or other rapid cool | ... | ... |
| ... | S21500 | solution treatment | 1900 [1040] ^{F,G} | water or other rapid cool | ... | ... |
| ... | S25700 | solution treatment | 1900 [1040] ^F | water or other rapid cool | ... | ... |
| ... | S30150 | solution treatment | 1900 [1040] ^F | water or other rapid cool | ... | ... |
| TP304 | S30400 | solution treatment | 1900 [1040] ^F | water or other rapid cool | ... | ... |
| TP304L | S30403 | solution treatment | 1900 [1040] ^F | water or other rapid cool | ... | ... |
| TP304H | S30409 | solution treatment | 1900 [1040] | water or other rapid cool | ... | 7 |
| ... | S30432 | solution treatment | 2000 [1100] ^F | water or other rapid cool | ... | ... |
| ... | S30434 | solution treatment | 2120 [1160] | water or other rapid cool | ... | ... |
| TP304N | S30451 | solution treatment | 1900 [1040] ^F | water or other rapid cool | ... | ... |
| TP304LN | S30453 | solution treatment | 1900 [1040] ^F | water or other rapid cool | ... | ... |
| ... | S30615 | solution treatment | 1900 [1040] ^F | water or other rapid cool | ... | ... |
| ... | S30815 | solution treatment | 1920 [1050] | water or other rapid cool | ... | ... |
| TP309S | S30908 | solution treatment | 1900 [1040] ^F | water or other rapid cool | ... | ... |
| TP309H | S30909 | solution treatment | 1900 [1040] | water or other rapid cool | ... | 7 |
| TP309LMoN | S30925 | solution treatment | 1920 [1050] | water or other rapid cool | ... | 7 |
| TP309Cb | S30940 | solution treatment | 1900 [1040] ^F | water or other rapid cool | ... | ... |
| TP309HCb | S30941 | solution treatment | 1900 [1040] ^H | water or other rapid cool | ... | 7 |
| ... | S30942 | solution treatment | 2120 [1160] | water or other rapid cool | ... | 6 |
| ... | S31002 | solution treatment | 1900 [1040] ^F | water or other rapid cool | ... | ... |
| TP310S | S31008 | solution treatment | 1900 [1040] ^F | water or other rapid cool | ... | ... |
| TP310H | S31009 | solution treatment | 1900 [1040] | water or other rapid cool | ... | 7 |
| TP310MoCbN | S31025 | solution treatment | 2100 [1150] | water or other rapid cool | ... | 7 |
| ... | S31035 | solution treatment | 2160–2280 [1180–1250] | water or other rapid cool | ... | 7 |
| TP310Cb | S31040 | solution treatment | 1900 [1040] ^F | water or other rapid cool | ... | ... |
| TP310HCb | S31041 | solution treatment | 1900 [1040] ^H | water or other rapid cool | ... | 7 |

TABLE 3 *Continued*

| Grade | UNS Number | Heat Treat Type | Austenitizing/ Solutioning Temperature, min or range °F [°C] | Cooling Media | Subcritical Annealing or Tempering Temperature, min or range °F [°C] | ASTM Grain Size No. ^B |
|---------------------------|------------|----------------------------------|--|---------------------------|---|-------------------------------------|
| TP310HCbN | S31042 | solution treatment | 1900 [1040] ^{F,H} | water or other rapid cool | ... | 7 |
| ... | S31060 | solution treatment | 1975–2160 [1080–1180] ^F | water or other rapid cool | ... | 7 |
| ... | S31254 | solution treatment | 2100 [1150] | water or other rapid cool | ... | ... |
| ... | S31272 | solution treatment | 1920 [1050] | water or other rapid cool | ... | ... |
| ... | S31277 | solution treatment | 2050 [1120] ^F | water or other rapid cool | ... | ... |
| TP316 | S31600 | solution treatment | 1900 [1040] ^F | water or other rapid cool | ... | ... |
| TP316L | S31603 | solution treatment | 1900 [1040] ^F | water or other rapid cool | ... | ... |
| TP316H | S31609 | solution treatment | 1900 [1040] | water or other rapid cool | ... | 7 |
| TP316Ti | S31635 | solution treatment | 1900 [1040] | water or other rapid cool | ... | ... |
| TP316N | S31651 | solution treatment | 1900 [1040] ^F | water or other rapid cool | ... | ... |
| TP316LN | S31653 | solution treatment | 1900 [1040] ^F | water or other rapid cool | ... | ... |
| TP317 | S31700 | solution treatment | 1900 [1040] ^F | water or other rapid cool | ... | ... |
| TP317L | S31703 | solution treatment | 1900 [1040] ^F | water or other rapid cool | ... | ... |
| ... | S31725 | solution treatment | 1900 [1040] ^F | water or other rapid cool | ... | ... |
| ... | S32050 | solution treatment | 2100 [1150] ^{F,H} | water or other rapid cool | ... | ... |
| TP321 | S32100 | solution treatment | 1900 [1040] ^{F,H} | water or other rapid cool | ... | ... |
| TP321H | S32109 | solution treatment | cold worked: 2000 [1090] hot rolled: 1925 [1050] ^H | water or other rapid cool | ... | 7 |
| ... | S32615 | solution treatment | 1900 [1040] ^F | water or other rapid cool | ... | 3 or finer |
| ... | S32716 | solution treatment | 1900 [1040] ^F | water or other rapid cool | ... | ... |
| ... | S33228 | solution treatment | 2050 [1120] | water or other rapid cool | ... | ... |
| ... | S34565 | solution treatment | 2050–2140 [1120–1170] | water or other rapid cool | ... | ... |
| TP347 | S34700 | solution treatment | 1900 [1040] ^{F,H} | water or other rapid cool | ... | ... |
| TP347W | S34705 | solution treatment | 2000 [1100] | water or other rapid cool | ... | 7-10 |
| TP347H | S34709 | solution treatment | cold worked: 2000 [1100] hot rolled: 1925 [1050] ^H | water or other rapid cool | ... | 7 |
| TP347HFG | S34710 | solution treatment, ^I | 2150 [1175] ^F | water or other rapid cool | ... | 7-10 |
| TP347LN | S34751 | solution treatment | 1900 [1040] ^F | water or other rapid cool | ... | ... |
| TP348 | S34800 | solution treatment | 1900 [1040] ^{F,H} | water or other rapid cool | ... | ... |
| TP348H | S34809 | solution treatment | cold worked: 2000 [1100] hot rolled: 1925 [1050] ^H | water or other rapid cool | ... | 7 |
| ... | S35045 | solution treatment | 2000 [1100] ^F | still air cool or faster | ... | ... |
| XM-15 | S38100 | solution treatment | 1900 [1040] ^F | water or other rapid cool | ... | ... |
| ... | S38815 | solution treatment | 1950 [1065] ^F | water or other rapid cool | ... | ... |
| ... | N08925 | solution treatment | 2010–2100 [1100–1150] | water or other rapid cool | ... | ... |
| ... | N08926 | solution treatment | 2010–2100 [1100–1150] | water or other rapid cool | ... | ... |
| Ferritic Stainless Steels | | | | | | |
| TP444 | S44400 | subcritical anneal | ... | ... | 1400 [760] | ... |

^A Where ellipses (...) appear in this table there is no requirement.

^B ASTM Grain Size No. listed, or coarser, unless otherwise indicated.

^C Approximately, to achieve properties.

^D Accelerated air cooling or liquid quenching shall be permitted for Class 2.

^E Accelerated cooling from the normalizing temperature shall be permitted for section thicknesses greater than 3 in. [75 mm].

^F Quenched in water or rapidly cooled by other means, at a rate sufficient to prevent re-precipitation of carbides, as demonstrable by the capability of tubes, heat treated by either separate solution annealing or by direct quenching, passing Practices A262, Practice E. The manufacturer is not required to run the test unless it is specified on the purchase order (see Supplementary Requirement S4). Note that Practices A262 requires the test to be performed on sensitized specimens in the low-carbon and stabilized types and on specimens representative of the as-shipped condition for other types. In the case of low-carbon types containing 3 % or more molybdenum, the applicability of the sensitizing treatment prior to testing shall be a matter for negotiation between the seller and the purchaser.

^G A maximum solution treating temperature of 2100 °F [1150 °C] is recommended for UNS S21500.

^H A solution treating temperature above 1950 °F [1065 °C] may impair resistance to intergranular corrosion after subsequent exposure to sensitizing conditions in the indicated grades. When specified by the purchaser, a lower temperature stabilization or resolution anneal shall be used subsequent to the higher-temperature solution anneal prescribed in this table.

^I Solution treatment shall be preceded by a softening heat treatment prior to cold-working. The softening temperature shall be at least 90 °F [50 °C] higher than the solution heat treatment temperature, which shall be at 2150 °F [1180 °C] minimum.



A213/A213M – 09a

TABLE 4 Tensile and Hardness Requirements

| Grade | UNS Designation | Tensile Strength, min, ksi [MPa] | Yield Strength, min, ksi [MPa] | Elongation in 2 in. or 50 mm, min, % ^{A,B} | Hardness, Max | |
|-------------------------------------|-----------------|----------------------------------|--------------------------------|---|--------------------|----------|
| | | | | | Brinell/Vickers | Rockwell |
| <i>Low Alloy Steels:</i> | | | | | | |
| T5b | K51545 | 60 [415] | 30 [205] | 30 | 179 HBW/ 190HV | 89 HRB |
| T9 | K90941 | 60 [415] | 30 [205] | 30 | 179 HBW/ 190HV | 89 HRB |
| T12 | K11562 | 60 [415] | 32 [220] | 30 | 163 HBW/ 170 HV | 85 HRB |
| T23 | K40712 | 74 [510] | 58 [400] | 20 | 220 HBW/ 230 HV | 97 HRB |
| T24 | K30736 | 85 [585] | 60 [415] | 20 | 250 HBW/ 265 HV | 25 HRC |
| T36 Class 1 | K21001 | 90 [620] | 64 [440] | 15 | 250 HBW/ 265 HV | 25 HRC |
| T36 Class 2 | K21001 | 95.5 [660] | 66.5 [460] | 15 | 250 HBW/ 265 HV | 25 HRC |
| T91 | K90901 | 85 [585] | 60 [415] | 20 | 250 HBW/ 265 HV | 25 HRC |
| T92 | K92460 | 90 [620] | 64 [440] | 20 | 250 HBW/ 265 HV | 25 HRC |
| T122 | K91271 | 90 [620] | 58 [400] | 20 | 250 HBW/ 265 HV | 25 HRC |
| T911 | K91061 | 90 [620] | 64 [440] | 20 | 250 HBW/ 265 HV | 25 HRC |
| All other low alloy grades | | 60 [415] | 30 [205] | 30 | 163 HB/ 170 HV | 85 HRB |
| <i>Austenitic Stainless Steels:</i> | | | | | | |
| TP201 | S20100 | 95 [655] | 38 [260] | 35 | 219 HBW/ 230 HV | 95 HRB |
| TP202 | S20200 | 90 [620] | 45 [310] | 35 | 219 HBW/ 230 HV | 95 HRB |
| XM-19 | S20910 | 100 [690] | 55 [380] | 35 | 250 HBW/ 265 HV | 25 HRC |
| ... | S21500 | 78 [540] | 33 [230] | 35 | 192 HBW/ 200 HV | 90 HRB |
| ... | S25700 | 78 [540] | 35 [240] | 50 | 217 HBW | 95 HRB |
| TP304 | S30400 | 75 [515] | 30 [205] | 35 | 192 HBW/ 200 HV | 90 HRB |
| TP304L | S30403 | 70 [485] | 25 [170] | 35 | 192 HBW/ 200 HV | 90 HRB |
| TP304H | S30409 | 75 [515] | 30 [205] | 35 | 192 HBW/ 200 HV | 90 HRB |
| ... | S30432 | 86 [590] | 34 [235] | 35 | 219 HBW/ 230 HV | 95 HRB |
| ... | S30434 | 73 [500] | 30 [205] | 35 | 192 HBW/ 200 HV | 90 HRB |
| TP304N | S30451 | 80 [550] | 35 [240] | 35 | 192 HBW/ 200 HV | 90 HRB |
| TP304LN | S30453 | 75 [515] | 30 [205] | 35 | 192 HBW/ 200 HV | 90 HRB |
| ... | S30615 | 90 [620] | 40 [275] | 35 | 192 HBW/ 200 HV | 90 HRB |
| ... | S30815 | 87 [600] | 45 [310] | 40 | 217 HBW | 95 HRB |
| TP309S | S30908 | 75 [515] | 30 [205] | 35 | 192 HBW/ 200 HV | 90 HRB |
| TP309H | S30909 | 75 [515] | 30 [205] | 35 | 192 HBW/ 200 HV | 90 HRB |
| TP309LMoN | S30925 | 93 [640] | 38 [260] | 30 | 256 HBW/270 HV | 100 HRB |
| TP309Cb | S30940 | 75 [515] | 30 [205] | 35 | 192 HBW/ 200 HV | 90 HRB |
| TP309HCb | S30941 | 75 [515] | 30 [205] | 35 | 192 HBW/ 200 HV | 90 HRB |
| ... | S30942 | 86 [590] | 34 [235] | 35 | 219 HBW/ 230 HV | 95 HRB |
| ... | S31002 | 73 [500] | 30 [205] | 35 | 192 HBW/ 200 HV | 90 HRB |
| TP310S | S31008 | 75 [515] | 30 [205] | 35 | 192 HBW/ 200 HV | 90 HRB |



A213/A213M – 09a

TABLE 4 Continued

| Grade | UNS Designation | Tensile Strength, min, ksi [MPa] | Yield Strength, min, ksi [MPa] | Elongation in 2 in. or 50 mm, min, % ^{A,B} | Hardness, Max | |
|----------------------|-----------------|----------------------------------|--------------------------------|---|--------------------|----------|
| | | | | | Brinell/Vickers | Rockwell |
| TP310H | S31009 | 75 [515] | 30 [205] | 35 | 192 HBW/ 200 HV | 90 HRB |
| TP310MoCbN | S31025 | 93 [640] | 39 [270] | 30 | 256 HBW/ 270 HV | 100 HRB |
| | S31035 | 95 [655] | 45 [310] | 40 | 220 HBW/ 230 HV | 96 HRB |
| TP310Cb | S31040 | 75 [515] | 30 [205] | 35 | 192 HBW/ 200 HV | 90 HRB |
| TP310HCb | S31041 | 75 [515] | 30 [205] | 35 | 192 HBW/ 200 HV | 90 HRB |
| TP310HCbN | S31042 | 95 [655] | 43 [295] | 30 | 256 HBW | 100 HRB |
| TP310MoLN | S31050 | | | | | |
| T ≤ 0.25 in. [6 mm] | | 84 [580] | 39 [270] | 25 | 217 HBW | 95 HRB |
| t > 0.25 in. [6 mm] | | 78 [540] | 37 [255] | 25 | 217 HBW | 95 HRB |
| ... | S31060 | 87 [600] | 41 [280] | 40 | 217 HBW | 95 HRB |
| ... | S31254 | | | | | |
| T ≤ 0.187 in. [5 mm] | | 98 [675] | 45 [310] | 35 | 220 HBW/ 230 HV | 96 HRB |
| T > 0.187 in. [5 mm] | | 95 [655] | 45 [310] | 35 | 220 HBW/ 230 HV | 96 HRB |
| ... | S31272 | 65 [450] | 29 [200] | 35 | 217 HBW | 95 HRB |
| ... | S31277 | 112 [770] | 52 [360] | 40 | 241 HBW | 100 HRB |
| TP316 | S31600 | 75 [515] | 30 [205] | 35 | 192 HBW/ 200 HV | 90 HRB |
| TP316L | S31603 | 70 [485] | 25 [170] | 35 | 192 HBW/ 200 HV | 90 HRB |
| TP316H | S31609 | 75 [515] | 30 [205] | 35 | 192 HBW/ 200 HV | 90 HRB |
| TP316Ti | S31635 | 75 [515] | 30 [205] | 35 | 192 HBW/ 200 HV | 90 HRB |
| TP316N | S31651 | 80 [550] | 35 [240] | 35 | 192 HBW/ 200 HV | 90 HRB |
| TP317 | S31700 | 75 [515] | 30 [205] | 34 | 192 HBW/ 200 HV | 90 HRB |
| TP317L | S31703 | 75 [515] | 30 [205] | 35 | 192 HBW/ 200 HV | 90 HRB |
| ... | S31725 | 75 [515] | 30 [205] | 35 | 192 HBW/ 200 HV | 90 HRB |
| ... | S32050 | 98 [675] | 48 [330] | 40 | 256 HBW | 100 HRB |
| TP321 | S32100 | 75 [515] | 30 [205] | 35 | 192 HBW/ 200 HV | 90 HRB |
| TP321H | S32109 | 75 [515] | 30 [205] | 35 | 192 HBW/ 200 HV | 90 HRB |
| ... | S32615 | 80 [550] | 32 [220] | 25 | 192 HBW/ 200 HV | 90 HRB |
| ... | S32716 | 80 [240] | 35 [240] | 35 | 192 HBW/ 200 HV | 90 HRB |
| ... | S33228 | 73 [500] | 27 [185] | 30 | 192 HBW/ 200 HV | 90 HRB |
| ... | S34565 | 115 [790] | 60 [415] | 35 | 241 HBW | 100 HRB |
| TP347 | S34700 | 75 [515] | 30 [205] | 35 | 192 HBW/ 200 HV | 90 HRB |
| TP347W | S34705 | 90 [620] | 38 [260] | 30 | 219 HBW/ 230 HV | 95 HRB |
| TP347H | S34709 | 75 [515] | 30 [205] | 35 | 192 HBW/ 200 HV | 90 HRB |
| TP347HFG | S34710 | 80 [550] | 30 [205] | 35 | 192 HBW/ 200 HV | 90 HRB |
| TP347LN | S34751 | 75 [515] | 30 [205] | 35 | 192 HBW/ 200 HV | 90 HRB |
| TP348 | S34800 | 75 [515] | 30 [205] | 35 | 192 HBW/ 200 HV | 90 HRB |
| TP348H | S34809 | 75 [515] | 30 [205] | 35 | 192 HBW/ 200 HV | 90 HRB |
| ... | S35045 | 70 [485] | 25 [170] | 35 | 192 HBW/ 200 HV | 90 HRB |
| XM-15 | S38100 | 75 [515] | 30 [205] | 35 | 192 HBW/ 200 HV | 90 HRB |
| ... | S38815 | 78 [540] | 37 [255] | 30 | 256 HBW | 100 HRB |
| ... | N08925 | 87 [600] | 43 [295] | 40 | 217 HBW | 95 HRB |



TABLE 4 Continued

| Grade | UNS Designation | Tensile Strength, min, ksi [MPa] | Yield Strength, min, ksi [MPa] | Elongation in 2 in. or 50 mm, min, % ^{A,B} | Hardness, Max | |
|---------------------------|-----------------|----------------------------------|--------------------------------|---|-----------------|----------|
| | | | | | Brinell/Vickers | Rockwell |
| ... | N08926 | 94 [650] | 43 [295] | 35 | 256 HBW | 100 HRB |
| Ferritic Stainless Steels | | | | | | |
| TP444 | S44400 | 60[415] | 40[275] | 20 | 217 HBW/ 230 HV | 96 HRB |

^A When standard round 2 in. or 50 mm gage length or smaller proportionally sized specimens with gage length equal to 4D (4 times the diameter) is used, the minimum elongation shall be 22 % for all low alloy grades except T23, T24, T91, T92, T122, and T911; and except for TP444.

^B For longitudinal strip tests, a deduction from the basic minimum elongation values of 1.00 % for TP444, T23, T24, T91, T92, T122, and T911, and of 1.50 % for all other low alloy grades for each 1/32-in. [0.8-mm] decrease in wall thickness below 5/16 in. [8 mm] shall be made.

14.2 For tensile and hardness test requirements, the term lot applies to all tubes prior to cutting, of the same size (see 4.1.6) that are produced from the same heat of steel. When final heat treatment is in a batch-type furnace, a lot shall include only those tubes of the same size and the same heat that are heat treated in the same furnace charge. When the final heat treatment is in a continuous furnace, or when the heat-treated condition is obtained directly by quenching after hot forming, a lot shall include all tubes of the same size and heat, heat treated in the same furnace at the same temperature, time at heat, and furnace speed; or all tubes of the same size and heat, hot formed and quenched in the same production run, except as prescribed in 9.1.3.

15. Product Marking

15.1 In addition to the marking prescribed in Specification A1016/A1016M, the marking shall include: the condition, hot finished or cold finished; and the wall designation, minimum wall or average wall.

15.2 For the austenitic stainless steels having a grain size requirement (see Table 3) the marking shall also include the heat number and heat-treatment lot identification.

15.3 When either T2 or T12 are ordered with higher sulfur contents as permitted by Note B of Table 1, the marking shall include the letter, S, following the grade designation: T2S or T12S.

16. Keywords

16.1 alloy steel tubes; austenitic stainless steel; boiler tubes; ferritic stainless steel; heat exchanger tubes; high-temperature applications; seamless steel tubes; steel tubes; superheater tubes; temperature service applications-high

TABLE 5 Computed Minimum Values^A

| Wall Thickness | | Elongation in 2 in. or 50 mm, min, % | | |
|----------------------|------------|--|------|---------------------------|
| in. | mm | S44400, T23, T24, T91, T92, T122, and T911 | T 36 | All Other Ferritic Grades |
| 5/16 [0.312] | 8 | 20 | 15 | 30 |
| 3/32 [0.281] | 7.2 | 19 | 14 | 29 |
| 1/4 [0.250] | 6.4 | 18 | 13 | 27 |
| 7/32 [0.219] | 5.6 | 17 | 12 | 26 |
| 3/16 [0.188] | 4.8 | 16 | 11 | 24 |
| 5/32 [0.156] | 4 | 15 | 10 | 23 |
| 1/8 [0.125] | 3.2 | 14 | 9 | 21 |
| 3/32 [0.094] | 2.4 | 13 | 8 | 20 |
| 1/16 [0.062] | 1.6 | 12 | 7 | 18 |
| 0.062 to 0.035, excl | 1.6 to 0.9 | 12 | 7 | 17 |
| 0.035 to 0.022, excl | 0.9 to 0.6 | 11 | 6 | 17 |
| 0.022 to 0.015 incl | 0.6 to 0.4 | 11 | 6 | 16 |

^A Calculated elongation requirements shall be rounded to the nearest whole number.

TABLE 6 Permitted Variations in Average Wall Thickness for Hot Formed Tubes

| NPS [DN] Designator | Tolerance in %, from specified | |
|--|--------------------------------|-------|
| | Over | Under |
| 1/8 to 2 1/2 [6 to 65] incl, all t/D ratios ^A | 20 | 12.5 |
| Above 2 1/2 [65], t/D ≤ 5 % ^A | 22.5 | 12.5 |
| Above 2 1/2 [65], t/D > 5 % ^A | 15 | 12.5 |

^A t = specified wall thickness D = specified outside diameter

**TABLE 7 Number of Tubes in a Lot Heat Treated by the Continuous Process or by Direct Quench After Hot Forming**

| Size of Tube | Size of Lot |
|--|-------------------------|
| 2 in. [50.8 mm] and over in outside diameter and 0.200 in. [5.1 mm] and over in wall thickness | not more than 50 tubes |
| 2 in. [50.8 mm] and over in outside diameter and under 0.200 in. [5.1 mm] in wall thickness | not more than 75 tubes |
| Less than 2 in. [50.8 mm] but over 1 in. [25.4 mm] in outside diameter | not more than 75 tubes |
| 1 in. [25.4 mm] or less in outside diameter | not more than 125 tubes |

SUPPLEMENTARY REQUIREMENTS

The following supplementary requirements shall apply only when specified by the purchaser in the inquiry, contract, or order.

S1. Stress-Relieved Annealed Tubes

S1.1 For use in certain corrosives, particularly chlorides where stress corrosion may occur, tubes in Grades TP304L, TP316L, TP321, TP347, and TP348 may be specified in the stress-relieved annealed condition.

S1.2 When stress-relieved tubes are specified, tubes shall be given a heat treatment at 1500 to 1650 °F [815 to 900 °C] after roll straightening. Cooling from this temperature range may be either in air or by slow cooling. No mechanical straightening is permitted after the stress-relief treatment.

S1.3 Straightness of the tubes shall be a matter of negotiation between the purchaser and supplier.

S2. Stabilizing Heat Treatment

S2.1 Subsequent to the solution anneal required in Section 6, Grades TP309HCb, TP310HCb, TP310HCbN, TP321, TP321H, TP347, TP347H, TP348, and TP348H shall be given a stabilization heat treatment at a temperature lower than that used for the initial solution annealing heat treatment. The temperature of stabilization heat treatment shall be at a temperature as agreed upon between the purchaser and vendor.

S3. Unstraightened Tubes

S3.1 When the purchaser specifies tubes unstraightened after final heat treatment (such as coils), the minimum yield strength of Table 4 shall be reduced by 5 ksi [35 MPa].

S3.2 On the certification, and wherever the grade designation for unstraightened tubing appears, it shall be identified with the suffix letter “U” (for example, 304-U, 321-U, etc.).

S4. Intergranular Corrosion Test

S4.1 When specified, material shall pass intergranular corrosion tests conducted by the manufacturer in accordance with Practices A262, Practice E.

NOTE S4.1—Practice E requires testing on the sensitized condition for low carbon or stabilized grades, and on the as-shipped condition for other grades.

S4.2 A stabilization heat treatment in accordance with Supplementary Requirement S2 may be necessary and is permitted in order to meet this requirement for the grades containing titanium or columbium, particularly in their H versions.

SUMMARY OF CHANGES

Committee A01 has identified the location of selected changes to this specification since the last issue, A213/A213M – 09, that may impact the use of this specification. (Approved April 1, 2009)

- (1) Introduced wall thickness tolerances for hot formed tubes ordered to average wall thickness in 12.2. (2) Added new Table 6 and renumbered subsequent tables.

Committee A01 has identified the location of selected changes to this specification since the last issue, A213/A213M – 08a, that may impact the use of this specification. (Approved March 15, 2009)

- (1) Added new grade TP310MoCbN to Tables 2-4. (2) Added new grade TP347W to Tables 2-4. (3) Added new grade TP309LMoN to Tables 2-4.

Committee A01 has identified the location of selected changes to this specification since the last issue, A213/A213M – 08, that may impact the use of this specification. (Approved October 15, 2008)

(I) Added UNS N08925 and N08926 to **Tables 2-4**.

Committee A01 has identified the location of selected changes to this specification since the last issue, A213/A213M – 07a, that may impact the use of this specification. (Approved March 1, 2008)

(I) Added new Grade S31035 to **Tables 2-4**.

ASTM International takes no position respecting the validity of any patent rights asserted in connection with any item mentioned in this standard. Users of this standard are expressly advised that determination of the validity of any such patent rights, and the risk of infringement of such rights, are entirely their own responsibility.

This standard is subject to revision at any time by the responsible technical committee and must be reviewed every five years and if not revised, either reapproved or withdrawn. Your comments are invited either for revision of this standard or for additional standards and should be addressed to ASTM International Headquarters. Your comments will receive careful consideration at a meeting of the responsible technical committee, which you may attend. If you feel that your comments have not received a fair hearing you should make your views known to the ASTM Committee on Standards, at the address shown below.

This standard is copyrighted by ASTM International, 100 Barr Harbor Drive, PO Box C700, West Conshohocken, PA 19428-2959, United States. Individual reprints (single or multiple copies) of this standard may be obtained by contacting ASTM at the above address or at 610-832-9585 (phone), 610-832-9555 (fax), or service@astm.org (e-mail); or through the ASTM website (www.astm.org).



Standard Specification for Seamless Ferritic Alloy-Steel Pipe for High-Temperature Service¹

This standard is issued under the fixed designation A335/A335M; the number immediately following the designation indicates the year of original adoption or, in the case of revision, the year of last revision. A number in parentheses indicates the year of last reappraisal. A superscript epsilon (ϵ) indicates an editorial change since the last revision or reappraisal.

This standard has been approved for use by agencies of the Department of Defense.

1. Scope*

1.1 This specification² covers nominal wall and minimum wall seamless ferritic alloy-steel pipe intended for high-temperature service. Pipe ordered to this specification shall be suitable for bending, flanging (vanstoning), and similar forming operations, and for fusion welding. Selection will depend upon design, service conditions, mechanical properties, and high-temperature characteristics.

1.2 Several grades of ferritic steels (see **Note 1**) are covered. Their compositions are given in **Table 1**.

NOTE 1—Ferritic steels in this specification are defined as low- and intermediate-alloy steels containing up to and including 10 % chromium.

1.3 Supplementary requirements (S1 to S7) of an optional nature are provided. These supplementary requirements call for additional tests to be made, and when desired, shall be so stated in the order together with the number of such tests required.

1.4 The values stated in either inch-pound units or SI units are to be regarded separately as standard. Within the text, the SI units are shown in brackets. The values stated in each system are not exact equivalents; therefore, each system must be used independently of the other. Combining values from the two systems may result in nonconformance with the specification. The inch-pound units shall apply unless the “M” designation of this specification is specified in the order.

NOTE 2—The dimensionless designator NPS (nominal pipe size) has been substituted in this standard for such traditional terms as “nominal diameter,” “size,” and “nominal size.”

2. Referenced Documents

2.1 ASTM Standards:³

¹ This specification is under the jurisdiction of ASTM Committee A01 on Steel, Stainless Steel and Related Alloys and is the direct responsibility of Subcommittee A01.10 on Stainless and Alloy Steel Tubular Products.

Current edition approved May 1, 2006. Published May 2006. Originally approved in 1951. Last previous edition approved in 2005 as A335/A335M-05a. DOI: 10.1520/A0335_A0335M-06.

² For ASME Boiler and Pressure Vessel Code applications see related Specification SA-335 in Section II of that Code.

³ For referenced ASTM standards, visit the ASTM website, www.astm.org, or contact ASTM Customer Service at service@astm.org. For *Annual Book of ASTM Standards* volume information, refer to the standard's Document Summary page on the ASTM website.

[A999/A999M Specification for General Requirements for Alloy and Stainless Steel Pipe](#)

[E213 Practice for Ultrasonic Testing of Metal Pipe and Tubing](#)

[E309 Practice for Eddy-Current Examination of Steel Tubular Products Using Magnetic Saturation](#)

[E381 Method of Macroetch Testing Steel Bars, Billets, Blooms, and Forgings](#)

[E527 Practice for Numbering Metals and Alloys in the Unified Numbering System \(UNS\)](#)

[E570 Practice for Flux Leakage Examination of Ferromagnetic Steel Tubular Products](#)

2.2 ASME Standard:

[B36.10M Welded and Seamless Wrought Steel Pipe](#)

2.3 Other Documents:

[SNT-TC-1A Recommended Practice for Nondestructive Personnel Qualification and Certification⁴](#)

[SAE J 1086 Practice for Numbering Metals and Alloys \(UNS\)⁵](#)

3. Ordering Information

3.1 Orders for material under this specification should include the following, as required, to describe the desired material adequately:

3.1.1 Quantity (feet, metres, or number of lengths),

3.1.2 Name of material (seamless alloy steel pipe),

3.1.3 Grade (**Table 1**),

3.1.4 Manufacture (hot-finished or cold-drawn),

3.1.5 Size using one of the following:

3.1.5.1 NPS and schedule number,

3.1.5.2 Outside diameter and nominal wall thickness,

3.1.5.3 Outside diameter and minimum wall thickness,

3.1.5.4 Inside diameter and nominal wall thickness, and

3.1.5.5 Inside diameter and minimum wall thickness.

3.1.6 Length (specific or random),

3.1.7 End finish (Ends Section of Specification [A999/A999M](#)),

⁴ Available from The American Society for Nondestructive Testing (ASNT), P.O. Box 28518, 1711 Arlington Ln., Columbus, OH 43228-0518.

⁵ Available from Society of Automotive Engineers (SAE), 400 Commonwealth Dr., Warrendale, PA 15096-0001.

*A Summary of Changes section appears at the end of this standard.



TABLE 1 Chemical Requirements

| Grade | UNS Designation ^A | Composition, % | | | | | | | |
|-------|------------------------------|----------------|-----------|-----------------|-------------|-----------|-------------|------------|--|
| | | Carbon | Manganese | Phosphorus, max | Sulfur, max | Silicon | Chromium | Molybdenum | Others |
| P1 | K11522 | 0.10–0.20 | 0.30–0.80 | 0.025 | 0.025 | 0.10–0.50 | ... | 0.44–0.65 | ... |
| P2 | K11547 | 0.10–0.20 | 0.30–0.61 | 0.025 | 0.025 | 0.10–0.30 | 0.50–0.81 | 0.44–0.65 | ... |
| P5 | K41545 | 0.15 max | 0.30–0.60 | 0.025 | 0.025 | 0.50 max | 4.00–6.00 | 0.45–0.65 | ... |
| P5b | K51545 | 0.15 max | 0.30–0.60 | 0.025 | 0.025 | 1.00–2.00 | 4.00–6.00 | 0.45–0.65 | ... |
| P5c | K41245 | 0.12 max | 0.30–0.60 | 0.025 | 0.025 | 0.50 max | 4.00–6.00 | 0.45–0.65 | ... ^B |
| P9 | S50400 | 0.15 max | 0.30–0.60 | 0.025 | 0.025 | 0.25–1.00 | 8.00–10.00 | 0.90–1.10 | ... |
| P11 | K11597 | 0.05–0.15 | 0.30–0.60 | 0.025 | 0.025 | 0.50–1.00 | 1.00–1.50 | 0.44–0.65 | ... |
| P12 | K11562 | 0.05–0.15 | 0.30–0.61 | 0.025 | 0.025 | 0.50 max | 0.80–1.25 | 0.44–0.65 | ... |
| P15 | K11578 | 0.05–0.15 | 0.30–0.60 | 0.025 | 0.025 | 1.15–1.65 | ... | 0.44–0.65 | ... |
| P21 | K31545 | 0.05–0.15 | 0.30–0.60 | 0.025 | 0.025 | 0.50 max | 2.65–3.35 | 0.80–1.06 | ... |
| P22 | K21590 | 0.05–0.15 | 0.30–0.60 | 0.025 | 0.025 | 0.50 max | 1.90–2.60 | 0.87–1.13 | ... |
| P23 | K41650 | 0.04–0.10 | 0.10–0.60 | 0.030 max | 0.010 max | 0.50 max | 1.90–2.60 | 0.05–0.30 | V 0.20–0.30 Cb 0.02–0.08 B 0.0005–0.006 N 0.030 max Al 0.030 max W 1.45–1.75 Ni 1.00–1.30 Cu 0.50–0.80 Cb 0.015–0.045 V 0.02 max N 0.02 max Al 0.050 max V 0.18–0.25 N 0.030–0.070 Ni 0.40 max Al 0.02 max Cb 0.06–0.10 Ti 0.01 max Zr 0.01 max V 0.15–0.25 N 0.03–0.07 Ni 0.40 max Al 0.02 max Cb 0.04–0.09 W 1.5–2.00 B 0.001–0.006 Ti 0.01 max Zr 0.01 max V 0.15–0.30 W 1.50–2.50 Cu 0.30–1.70 Cb 0.04–0.10 B 0.0005–0.005 N 0.040–0.100 Ni 0.50 max Al 0.020 max Ti 0.01 max Zr 0.01 max V 0.18–0.25 Ni 0.40 max Cb 0.060–0.10 B 0.0003–0.006 N 0.04–0.09 Al 0.02 max W 0.90–1.10 Ti 0.01 max Zr 0.01 max |
| P36 | K21001 | 0.10–0.17 | 0.80–1.20 | 0.030 max | 0.025 max | 0.25–0.50 | 0.30 max | 0.25–0.50 | ... |
| P91 | K91560 | 0.08–0.12 | 0.30–0.60 | 0.020 | 0.010 | 0.20–0.50 | 8.00–9.50 | 0.85–1.05 | ... |
| P92 | K92460 | 0.07–0.13 | 0.30–0.60 | 0.020 | 0.010 | 0.50 max | 8.50–9.50 | 0.30–0.60 | ... |
| P122 | K92930 | 0.07–0.14 | 0.70 max | 0.020 | 0.010 | 0.50 max | 10.00–11.50 | 0.25–0.60 | ... |
| P911 | K91061 | 0.09–0.13 | 0.30–0.60 | 0.020 max | 0.010 max | 0.10–0.50 | 8.5–9.5 | 0.90–1.10 | ... |

^A New designation established in accordance with Practice E527 and SAE J 1086, Practice for Numbering Metals and Alloys (UNS).

^B Grade P 5c shall have a titanium content of not less than 4 times the carbon content and not more than 0.70 %; or a columbium content of 8 to 10 times the carbon content.

3.1.8 Optional requirements (Section 8, 12 and 13 of this specification. See the Sections on Hydrostatic Test Requirements and Permissible Variation in Weight for Seamless Pipe in Specification A999/A999M),

3.1.9 Test report required (Certification Section of Specification A999/A999M),

3.1.10 Specification designation, and

3.1.11 Special requirements or any supplementary requirements selected, or both.

4. General Requirements

4.1 Material furnished to this specification shall conform to the applicable requirements of the current edition of Specification A999/A999M, unless otherwise provided herein.



5. Materials and Manufacture

5.1 Pipe may be either hot finished or cold drawn with the finishing treatment as required in 5.3.

5.2 *Grade P2 and P12*—The steel shall be made by coarse-grain melting practice. Specific limits, if any, on grain size or deoxidation practice shall be a matter of agreement between the manufacturer and purchaser.

5.3 Heat Treatment:

5.3.1 All pipe shall be reheated for heat treatment and heat treated in accordance with the requirements of Table 2.

NOTE 3—It is recommended that the temperature for tempering should be at least 100 °F [50 °C] above the intended service temperature; consequently, the purchaser should advise the manufacturer if the service temperature is to be over 1100 °F [600 °C].

NOTE 4—Certain of the ferritic steels covered by this specification will harden if cooled rapidly from above their critical temperature. Some will air harden, that is, become hardened to an undesirable degree when cooled in air from high temperatures. Therefore, operations involving heating such steels above their critical temperatures, such as welding, flanging, and hot bending, should be followed by suitable heat treatment.

6. Chemical Composition

6.1 The steel shall conform to the requirements as to chemical composition prescribed in Table 1.

7. Workmanship, Finish, and Appearance

7.1 The pipe manufacturer shall explore a sufficient number of visual surface imperfections to provide reasonable assurance that they have been properly evaluated with respect to depth. Exploration of all surface imperfections is not required but may be necessary to ensure compliance with 7.2.

7.2 Surface imperfections that penetrate more than 12½ % of the nominal wall thickness or encroach on the minimum wall thickness shall be considered defects. Pipe with such defects shall be given one of the following dispositions:

7.2.1 The defect may be removed by grinding provided that the remaining wall thickness is within specified limits.

7.2.2 Repaired in accordance with the repair welding provisions of 7.6.

7.2.3 The section of pipe containing the defect may be cut off within the limits of requirements on length.

7.2.4 Rejected.

7.3 To provide a workmanlike finish and basis for evaluating conformance with 7.2, the pipe manufacturer shall remove by grinding the following:

7.3.1 Mechanical marks, abrasions (see Note 5) and pits, any of which imperfections are deeper than ¼ in. [1.6 mm].

TABLE 2 Heat Treatment Requirements^A

| Grade | Heat Treat Type | Normalizing Temperature, min or range °F [°C] | Cooling Media | Subcritical Annealing or Tempering Temperature, min or range °F [°C] |
|-------|-----------------------------------|---|----------------------------|--|
| P1 | full or isothermal anneal | ... | ... | ... |
| | normalize and temper | ... | ... | 1200 [650] |
| | subcritical anneal | ... | ... | 1200-1300 [650-705] |
| P2 | full or isothermal anneal | ... | ... | ... |
| | normalize and temper | ... | ... | 1250 [675] |
| | subcritical anneal | ... | ... | 1200-1300 [650-705] |
| P5 | full or isothermal anneal | ... | ... | ... |
| P5b | normalize and temper | ... | ... | 1250 [675] |
| | subcritical anneal | ... | ... | 1325-1375 [715-745] |
| P5c | full or isothermal anneal | ... | ... | ... |
| | normalize and temper | ... | ... | 1250 [675] |
| P9 | full or isothermal anneal | ... | ... | ... |
| | normalize and temper | ... | ... | 1250 [675] |
| P11 | full or isothermal anneal | ... | ... | ... |
| | normalize and temper | ... | ... | 1200 [650] |
| P12 | full or isothermal anneal | ... | ... | ... |
| | normalize and temper | ... | ... | 1200 [650] |
| | subcritical anneal | ... | ... | 1200-1300 [650-705] |
| P15 | full or isothermal anneal | ... | ... | ... |
| | normalize and temper | ... | ... | 1200 [650] |
| P21 | full or isothermal anneal | ... | ... | ... |
| | normalize and temper | ... | ... | 1250 [675] |
| P22 | full or isothermal anneal | ... | ... | ... |
| | normalize and temper | ... | ... | 1250 [675] |
| P23 | normalize and temper | 1900-1975 [1040-1080] | air or accelerated cooling | 1350-1470 [730-800] |
| | normalize and temper ^B | 1650 [900] | ... | 1100 [595] |
| P91 | normalize and temper | 1900-1975 [1040-1080] | ... | 1350-1470 [730-800] ^C |
| | quench and temper ^D | 1900-1975 [1040-1080] | ... | 1350-1470 [730-800] |
| P92 | normalize and temper | 1900-1975 [1040-1080] | ... | 1350-1470 [730-800] |
| P122 | normalize and temper | 1900-1975 [1040-1080] | ... | 1350-1470 [730-800] |
| P911 | normalize and temper | 1900-1975 [1040-1080] | ^E | 1365-1435 [740-780] |

^AWhere ellipses (...) appear in this table there is no requirement.

^BAlternatively, Grade P36, Class 2 shall be cooled from the austenitizing temperature by accelerated cooling in air or by liquid quenching.

^CExcept when Supplementary Requirement S7 is specified by the purchaser.

^DWhen mutually agreed upon between the manufacturer and the purchaser, quenching and tempering shall be permitted for thicknesses greater than 3 in. [75 mm].

^EAccelerated cooling from the normalizing temperature shall be permitted for section thicknesses greater than 3 in. [75 mm].

NOTE 5—Marks and abrasions are defined as cable marks, dings, guide marks, roll marks, ball scratches, scores, die marks, and the like.

7.3.2 Visual imperfections, commonly referred to as scabs, seams, laps, tears, or slivers, found by exploration in accordance with 7.1 to be deeper than 5 % of the nominal wall thickness.

7.4 At the purchaser's discretion, pipe shall be subject to rejection if surface imperfections acceptable under 7.2 are not scattered, but appear over a large area in excess of what is considered a workmanlike finish. Disposition of such pipe shall be a matter of agreement between the manufacturer and the purchaser.

7.5 When imperfections or defects are removed by grinding, a smooth curved surface shall be maintained, and the wall thickness shall not be decreased below that permitted by this specification. The outside diameter at the point of grinding may be reduced by the amount so removed.

7.5.1 Wall thickness measurements shall be made with a mechanical caliper or with a properly calibrated nondestructive testing device of appropriate accuracy. In case of dispute, the measurement determined by use of the mechanical caliper shall govern.

7.6 Weld repair shall be permitted only subject to the approval of the purchaser and in accordance with Specification A999/A999M.

7.6.1 After weld repair, Grades P23, P91, P92, and P122 shall be heat treated at 1350-1470 °F [730-800 °C].

7.6.2 After weld repair, Grade P911 shall be heat treated at 1365-1435 °F [740-780 °C].

7.7 The finished pipe shall be reasonably straight.

8. Product Analysis

8.1 At the request of the purchaser, an analysis of two pipes from each lot shall be made by the manufacturer. A lot (see Note 6) of pipe shall consist of the following:

| | |
|----------------|-------------------------|
| NPS Designator | |
| Under 2 | 400 or fraction thereof |
| 2 to 5 | 200 or fraction thereof |
| 6 and over | 100 or fraction thereof |

NOTE 6—A lot shall consist of the number of lengths specified in 8.1 of the same size and wall thickness from any one heat of steel.

8.2 The results of these analyses shall be reported to the purchaser or the purchaser's representative, and shall conform to the requirements specified in Table 1.

8.3 For grade P 91 the carbon content may vary for the product analysis by -0.01 % and +0.02 % from the specified range as per Table 1.

8.4 If the analysis of one of the tests specified in 8.1 does not conform to the requirements specified in 6.1, an analysis of each billet or pipe from the same heat or lot may be made, and all billets or pipe conforming to the requirements shall be accepted.

9. Tensile and Hardness Requirements

9.1 The tensile properties of the material shall conform to the requirements prescribed in Table 3.

9.2 Table 4 lists elongation requirements.

9.3 Pipe of Grades P91, P92, P122, and P36 shall have a hardness not exceeding 250 HB/265 HV [25 HRC].

9.4 Table 5 gives the computed minimum elongation values for each 1/32-in. [0.8-mm] decrease in wall thickness. Where the wall thickness lies between two values above, the minimum elongation value is determined by the following formula:

| Direction of Test | Equation ^B |
|---|--|
| Longitudinal, all grades except P23, P91, P92, P122, and P911 | $E = 48t + 15.00$ [$E = 1.87t + 15.00$] |
| Transverse, all grades except P23, P91, P92, P122, and P911 | $E = 32t + 10.00$ [$E = 1.25t + 10.00$] |
| Longitudinal, P23, P91, P92, P122, and P911 | $E = 32t + 10.00$ [$E = 1.25t + 10.00$] |
| Longitudinal, P36 | $E = 32t + 5.0$ [$E = 1.25t + 5.0$] |

where:

E = elongation in 2 in. or 50 mm, %, and
t = actual thickness of specimens, in. [mm].

10. Permissible Variations in Diameter

10.1 For pipe ordered to NPS [DN] or outside diameter, variations in outside diameter shall not exceed those specified in Table 6.

10.2 For pipe ordered to inside diameter, the inside diameter shall not vary more than ± 1 % from the specified inside diameter.

11. Permissible Variations in Wall Thickness

11.1 In addition to the implicit limitation of wall thickness for pipe imposed by the limitation on weight in Specification A999/A999M, the wall thickness for pipe at any point shall be within the tolerances specified in Table 7. The minimum wall thickness and outside diameter for inspection for compliance with this requirement for pipe ordered by NPS [DN] and schedule number is shown in ASME B36.10M.

12. Hydrostatic Test

12.1 Each length of pipe shall be subjected to the hydrostatic test, except as provided for in 12.2 or 12.3.

TABLE 3 Tensile Requirements

| | Grade | | | | | | | |
|------------------------|--------|-----|-----|-----|--------------------------|------|-------------|------------|
| | P1, P2 | P12 | P23 | P91 | P92, P911 P36 Class 1 | P122 | P36 Class 2 | All Others |
| Tensile strength, min: | | | | | | | | |
| ksi | 55 | 60 | 74 | 85 | 90 | 90 | 95.5 | 60 |
| MPa | 380 | 415 | 510 | 585 | 620 | 620 | 660 | 415 |
| Yield strength, min: | | | | | | | | |
| ksi | 30 | 32 | 58 | 60 | 64 | 58 | 66.5 | 30 |
| MPa | 205 | 220 | 400 | 415 | 440 | 400 | 460 | 205 |



TABLE 4 Elongation Requirements

| Elongation Requirements | Elongation Requirements | | | | |
|--|---|-------------------|--------------------------------|--------------|-------------------|
| | All grades except P23, P36 P91, P92, P122, and P911 | | | | P36 |
| | Longitudinal | Transverse | P23, P91, P92, P122, and P 911 | | |
| Longitudinal | | | Transverse | Longitudinal | Transverse |
| Elongation in 2 in. or 50 mm, (or 4D), min, %: | | | | | |
| Basic minimum elongation for wall $\frac{5}{16}$ in. [8 mm] and over in thickness, strip tests, and for all small sizes tested in full section | 30 | 20 | 20 | ... | 15 |
| When standard round 2-in. or 50-mm gage length or proportionally smaller size specimen with the gage length equal to 4D (4 times the diameter) is used | 22 | 14 | 20 | 13 | ... |
| For strip tests a deduction for each $\frac{1}{32}$ -in. [0.8 mm] decrease in wall thickness below in. [8 mm] from the basic minimum elongation of the following percentage points shall be made | 1.50 ^A | 1.00 ^A | 1.00 ^A | ... | 1.00 ^A |

^A Table 5 gives the calculated minimum values.

12.2 Unless otherwise specified in the purchase order, each length of pipe shall, at the option of the manufacturer, be subjected to the nondestructive electric test as shown in Section 13 in lieu of the hydrostatic test.

12.3 When specified by the purchaser, pipe shall be furnished without hydrostatic test and without nondestructive examination.

12.4 When specified by the purchaser, pipe shall be furnished with both the hydrostatic test and a nondestructive examination having been performed.

13. Nondestructive Examination

13.1 When selected by the manufacturer or when specified in the order, as an alternative to the hydrostatic test (12.2), or when specified in the purchase order in addition to the hydrostatic test (12.4), each pipe shall be examined by a nondestructive examination method in accordance with Practice E213, Practice E309 or Practice E570. The range of pipe sizes that may be examined by each method shall be subject to the limitations in the scope of the respective practices.

13.2 The following information is for the benefit of the user of this specification:

13.2.1 The reference standards defined in 13.8 are convenient standards for standardization of nondestructive examination equipment. The dimensions of these standards should not be construed as the minimum size imperfection detectable by such equipment.

13.2.2 Ultrasonic examination can be performed to detect both longitudinally and transversely oriented discontinuities. It should be recognized that different techniques should be employed to detect differently oriented imperfections. The examination may not detect short, deep imperfections.

13.2.3 The eddy current examination referenced in this specification has the capability to detect significant discontinuities, especially of the short abrupt type.

13.2.4 The flux leakage examination referred to in this specification is capable of detecting the presence and location of significant longitudinally or transversely oriented discontinuities. It should be recognized that different techniques should be employed to detect differently oriented imperfections.

13.2.5 The hydrostatic test of Section 12 has the capability to find imperfections of a size that permit the test fluid to leak through the pipe wall so that it may be either visually seen or detected by a loss of fluid pressure. This test may not detect very tight, through-wall imperfections, or imperfections that extend into the wall without complete penetration.

13.2.6 A purchaser interested in ascertaining the nature (type, size, location, and orientation) of discontinuities that can be detected in the specific application of these examinations should discuss this with the manufacturer of the tubular products.

13.3 Time of Examination:

Nondestructive examination for specification acceptance shall be performed after all mechanical processing, heat treatments and straightening operations. This requirement does not preclude additional testing at earlier stages in the processing.

13.4 Surface Conditions:

13.4.1 All surfaces shall be clean and free of scale, dirt, grease, paint, or other foreign material that could interfere with interpretation of test results. The methods used for cleaning and preparing the surfaces for examination shall not be detrimental to the base metal or the surface finish.

13.4.2 Excessive surface roughness or deep scratches can produce signals that interfere with the test (see 13.10.2.3).

13.5 Extent of Examination:

13.5.1 The relative motion of the pipe and the transducer(s), coil(s), or sensor(s) shall be such that the entire pipe surface is scanned, except for end effects as noted in 13.5.2.

13.5.2 The existence of end effects is recognized, and the extent of such effects shall be determined by the manufacturer, and, if requested, shall be reported to the purchaser. Other nondestructive tests may be applied to the end areas, subject to agreement between the purchaser and the manufacturer.

13.6 Operator Qualifications—The test unit operator shall be certified in accordance with SNT-TC-1A, or an equivalent, recognized and documented standard.

13.7 Test Conditions:

13.7.1 For examination by the ultrasonic method, the minimum nominal transducer frequency shall be 2.25 MHz.

13.7.2 For eddy current testing, the excitation coil frequency shall be 10 kHz, or less.

13.8 Reference Standards:

13.8.1 Reference standards of convenient length shall be prepared from a length of pipe of the same grade, size (NPS or outside diameter and schedule or wall thickness), surface finish and heat treatment condition as the pipe to be examined.

13.8.2 For ultrasonic testing, the reference notches shall be any one of the three common notch shapes shown in Practice E213, at the option of the manufacturer. The depth of the notch



TABLE 5 Calculated Minimum Elongation Values

| Wall Thickness | Elongation in 2 in. or 50 mm, min, % | | | | |
|----------------|--------------------------------------|--------------|--|--------------|-------------------------------|
| | | | All grades except P23, P36, P91, P92, P122, and P911 | | P23, P91, P92, P122, and P911 |
| in. | mm | Longitudinal | Transverse | Longitudinal | Longitudinal |
| 5/16 (0.312) | 8 | 30 | 20 | 20 | 15 |
| 3/32 (0.281) | 7.2 | 28 | 19 | 19 | 14 |
| 1/4 (0.250) | 6.4 | 27 | 18 | 18 | 13 |
| 7/32 (0.219) | 5.6 | 26 | ... | 17 | 12 |
| 3/16 (0.188) | 4.8 | 24 | ... | 16 | 11 |
| 5/32 (0.156) | 4 | 22 | ... | 15 | 10 |
| 1/8 (0.125) | 3.2 | 21 | ... | 14 | 9 |
| 3/32 (0.094) | 2.4 | 20 | ... | 13 | 8 |
| 1/16 (0.062) | 1.6 | 18 | ... | 12 | 7 |

TABLE 6 Permissible Variations in Outside Diameter

| NPS [DN] Designator | Over | | Under | |
|------------------------------------|---|------|--------------|------|
| | in. | mm | in. | mm |
| 1/8 to 1 1/2 [6 to 40], incl. | 1/64 (0.015) | 0.40 | 1/64 (0.015) | 0.40 |
| Over 1 1/2 to 4 [40 to 100], incl. | 1/32 (0.031) | 0.79 | 1/32 (0.031) | 0.79 |
| Over 4 to 8 [100 to 200], incl. | 1/16 (0.062) | 1.59 | 1/32 (0.031) | 0.79 |
| Over 8 to 12 [200 to 300], incl. | 3/32 (0.093) | 2.38 | 1/32 (0.031) | 0.79 |
| Over 12 [300] | ± 1 % of the specified outside diameter | | | |

TABLE 7 Permitted Variations in Wall Thickness

| NPS [DN] Designator | Tolerance, % from Specified | |
|---|-----------------------------|-------|
| | Over | Under |
| 1/8 to 2 1/2 [6 to 65] incl., all t/D ratios ^A | 20.0 | 12.5 |
| Above 2 1/2 [65], t/D ≤ 5 % ^A | 22.5 | 12.5 |
| Above 2 1/2 [65], t/D > 5 % ^A | 15.0 | 12.5 |

^A t = Specified Wall Thickness; D = Specified Outside Diameter.

shall not exceed 12 1/2 % of the specified nominal wall thickness of the pipe or 0.004 in. (0.1 mm), whichever is greater. The length of the notch shall be at least twice the diameter of the transducer(s). The width of the notch shall not exceed the depth.

13.8.3 For eddy current testing, the reference standard shall contain, at the option of the manufacturer, any one of the following discontinuities:

13.8.3.1 *Drilled Hole*—The reference standard shall contain three or more holes, equally spaced circumferentially around the pipe and longitudinally separated by a sufficient distance to allow distinct identification of the signal from each hole. The holes shall be drilled radially and completely through the pipe wall, with care being taken to avoid distortion of the pipe while drilling. The hole diameter shall vary with NPS as follows:

NPS Designator
 1/2
 above 1/2 to 1 1/4
 above 1 1/4 to 2
 above 2 to 5
 above 5

Hole Diameter
 0.039 in. (1 mm)
 0.055 in. (1.4 mm)
 0.071 in. (1.8 mm)
 0.087 in. (2.2 mm)
 0.106 in. (2.7 mm)

13.8.3.2 *Transverse Tangential Notch*—Using a round tool or file with a 1/4 in. (6.4 mm) diameter, a notch shall be filed or milled tangential to the surface and transverse to the longitudinal axis of the pipe. Said notch shall have a depth not exceeding 12 1/2 % of the specified nominal wall thickness of the pipe or 0.004 in. (0.1 mm), whichever is greater.

13.8.3.3 *Longitudinal Notch*—A notch 0.031 in. or less in width shall be machined in a radial plane parallel to the tube axis on the outside surface of the pipe, to have a depth not exceeding 12 1/2 % of the specified nominal wall thickness of the pipe or 0.004 in. (0.1 mm), whichever is greater. The length of the notch shall be compatible with the testing method.

13.8.4 For flux leakage testing, the longitudinal reference notches shall be straight-sided notches machined in a radial plane parallel to the pipe axis. For wall thickness less than 1/2 in. (12.7 mm), outside and inside notches shall be used; for wall thicknesses equal to or greater than 1/2 in., only an outside notch shall be used. Notch depth shall not exceed 12 1/2 % of the specified nominal wall thickness or 0.004 in. (0.1 mm), whichever is greater. Notch length shall not exceed 1 in. (25.4 mm), and the width shall not exceed the depth. Outside and inside notches shall have sufficient separation to allow distinct identification of the signal from each notch.

13.8.5 More or smaller reference discontinuities, or both, may be used by agreement between the purchaser and the manufacturer.

13.9 *Standardization Procedure:*

13.9.1 The test apparatus shall be standardized at the beginning and end of each series of pipes of the same size (NPS or diameter and schedule or wall thickness), grade and heat treatment condition, and at intervals not exceeding 4 h

during the examination of such pipe. More frequent standardizations may be performed at the manufacturer's option or may be required upon agreement between the purchaser and the manufacturer.

13.9.2 The test apparatus shall also be standardized after any change in test system settings, change of operator, equipment repair, or interruption due to power loss, shutdown or operator breaks.

13.9.3 The reference standard shall be passed through the test apparatus at same speed and test system settings as the pipe to be tested.

13.9.4 The signal-to-noise ratio for the reference standard shall be 2.5 to 1 or greater and the reference signal amplitude for each discontinuity shall be at least 50 % of full scale of the display.

13.9.5 If upon any standardization, the reference signal amplitude has decreased by 25 % (2 db), the test apparatus shall be considered out of standardization. The test system settings may be changed, or the transducer(s), coil(s) or sensor(s) adjusted, and the unit restandardized, but all pipe tested since the last acceptable standardization must be retested.

13.10 Evaluation of Imperfections:

13.10.1 Pipes producing a signal equal to or greater than the signal produced by the reference standard shall be positively identified and they shall be separated from the acceptable pipes. The area producing the signal may be reexamined.

13.10.2 Such pipes shall be subject to one of the following three dispositions:

13.10.2.1 The pipes may be rejected without further examination, at the discretion of the manufacturer.

13.10.2.2 The pipes shall be rejected, but may be repaired, if the test signal was produced by imperfections which cannot be identified, or was produced by cracks or crack-like imperfections. These pipes may be repaired by grinding (in accordance with 7.2.1), welding (in accordance with 7.6) or sectioning (in accordance with 7.2.3). To be accepted, a repaired pipe must pass the same nondestructive examination by which it was rejected, and it must meet the remaining wall thickness requirements of this specification.

13.10.2.3 Such pipes may be evaluated in accordance with the provisions of Section 7, if the test signals were produced by visual imperfections such as those listed below:

- (1) Scratches,
- (2) Surface roughness,
- (3) Dings,
- (4) Straightener marks,
- (5) Cutting chips,
- (6) Steel die stamps,
- (7) Stop marks, or
- (8) Pipe reducer ripple.

14. Mechanical Tests Required

14.1 *Transverse or Longitudinal Tension Test and Flattening Test, Hardness Test, or Bend Test*—For material heat treated in a batch-type furnace, tests shall be made on 5 % of the pipe from each treated lot (see Note 7). For small lots, at least 1 pipe shall be tested. For material heat treated by the

continuous process, tests shall be made on a sufficient number of pipe to constitute 5 % of the lot (see Note 7), but in no case less than 2 pipe.

NOTE 7—The term “lot” applies to all pipe of the same nominal size and wall thickness (or schedule) which is produced from the same heat of steel and subjected to the same finishing treatment in a continuous furnace; when final heat treatment is in a batch-type furnace, the lot shall include only that pipe which is heat treated in the same furnace charge.

14.2 Hardness Test:

14.2.1 For pipe of Grades P91, P92, P122, P911, and P36, Brinell, Vickers, or Rockwell hardness tests shall be made on a specimen from each lot (see Note 7).

14.3 Bend Test:

14.3.1 For pipe whose diameter exceeds NPS 25 and whose diameter to wall thickness ratio is 7.0 or less shall be subjected to the bend test instead of the flattening test. Other pipe whose diameter equals or exceeds NPS 10 may be given the bend test in place of the flattening test subject to the approval of the purchaser.

14.3.2 The bend test specimens shall be bent at room temperature through 180° without cracking on the outside of the bent portion. The inside diameter of the bend shall be 1 in. [25 mm].

14.3.3 Test specimens for the bend test specified in 14.3 shall be cut from one end of the pipe and, unless otherwise specified, shall be taken in a transverse direction. One test specimen shall be taken as close to the outer surface as possible and another from as close to the inner surface as possible. The specimens shall be either ½ by ½ in. [12.5 by 12.5 mm] in section or 1 by ½ in. [25 by 12.5 mm] in section with the corners rounded to a radius not over 1/16 in. [1.6 mm] and need not exceed 6 in. [150 mm] in length. The side of the samples placed in tension during the bend shall be the side closest to the inner and outer surface of the pipe, respectively.

15. Certification

15.1 In addition to the information required by Specification A999/A999M, the certification shall state whether or not the pipe was hydrostatically tested. If the pipe was nondestructively examined, the certification shall so state and shall show which practice was followed and what reference discontinuities were used. In addition, the test method information as given in Table 8 shall be appended to the specification number and grade shown on the certification.

16. Product Marking

16.1 In addition to the marking prescribed in Specification A999/A999M, the marking shall include the length, an additional symbol “S”, if the pipe conforms to any of the Supplementary Requirements S1 to S6, the schedule number, if the pipe is ordered to a schedule number, and the heat number or

TABLE 8 Test Method Information for Certification and Marking

| Hydrostatic | Nondestructive | Marking |
|-------------|----------------|-------------------|
| YES | NO | Test Pressure |
| NO | YES | NDE |
| NO | NO | NH |
| YES | YES | Test Pressure/NDE |

manufacturer's number by which the heat can be identified. Furthermore, the marking designated in **Table 8** to indicate the test method(s) shall be included. Marking may be by stenciling, stamping, or rolling. Pipe that has been weld repaired in accordance with **7.6** shall be marked "WR."

17. Government Procurement

17.1 Scale Free Pipe:

17.1.1 When specified in the contract or order, the following requirements shall be considered in the inquiry contract or order, for agencies of the U.S. Government where scale free pipe is required. These requirements shall take precedence if there is a conflict between these requirements and the product specification.

17.1.2 The requirements of Specification **A999/A999M** for pipe shall be applicable when pipe is ordered to this specification.

17.1.3 Pipe shall be one of the following grades as specified herein:

| Grade | UNS Designation |
|-------|-----------------|
| P11 | K11597 |
| P22 | K21590 |
| P5 | K41545 |

17.1.4 Part Number:

17.1.4.1 Pipe shall be ordered to nominal pipe size and schedule specified in ASME **B36.10M**

Example: A335/A335M Pipe P-11 NPS 12 Sch 40

| | |
|----------------------|-----------------|
| Specification Number | ASTM A335/A335M |
| Pipe | P |
| Grade | P-11 |
| NPS | 12 |
| Wall | 0.375 |

17.1.4.2

| | |
|----------------------|-------------------|
| Specification Number | ASTM A335/A 335 M |
| Tube | T |
| Grade | P-11 |
| Outside Diameter | 0.250 |
| Wall | 0.035 |

17.1.5 *Ordering Information*—Orders for material under this specification shall include the following in addition to the requirements of Section **3**:

17.1.5.1 Pipe or tube,

17.1.5.2 Part number,

17.1.5.3 Ultrasonic inspection, if required,

17.1.5.4 If shear wave test is to be conducted in two opposite circumferential directions, and

17.1.5.5 Level of preservation and packing required.

18. Keywords

18.1 alloy steel pipe; high temperature service; seamless steel pipe; steel pipe; temperature service applications

SUPPLEMENTARY REQUIREMENTS

One or more of the following supplementary requirements shall apply only when specified in the purchase order. The purchaser may specify a different frequency of test or analysis than is provided in the supplementary requirement. Subject to agreement between the purchaser and manufacturer, retest and retreatment provisions of these supplementary requirements may also be modified.

S1. Product Analysis

S1.1 Product analysis shall be made on each length of pipe. Individual lengths failing to conform to the chemical composition requirements shall be rejected.

S2. Transverse Tension Tests

S2.1 A transverse tension test shall be made on a specimen from one end or both ends of each pipe NPS 8 and over. If this supplementary requirement is specified, the number of tests per pipe shall also be specified. If a specimen from any length fails to meet the required tensile properties (tensile, yield, and elongation), that length shall be rejected subject to retreatment in accordance with Specification **A999/A999M** and satisfactory retest.

S3. Flattening Test

S3.1 The flattening test of Specification **A999/A999M** shall be made on a specimen from one end or both ends of each pipe. Crop ends may be used. If this supplementary requirement is specified, the number of tests per pipe shall also be specified.

If a specimen from any length fails because of lack of ductility prior to satisfactory completion of the first step of the flattening test requirement, that pipe shall be rejected subject to retreatment in accordance with Specification **A999/A999M** and satisfactory retest. If a specimen from any length of pipe fails because of a lack of soundness that length shall be rejected, unless subsequent retesting indicates that the remaining length is sound. The bend test of **13.2** shall be substituted for the flattening test for pipe whose diameter exceeds NPS 25 and whose diameter to wall thickness ratio is 7.0 or less.

S4. Metal Structure and Etching Tests

S4.1 The steel shall be homogeneous as shown by etching tests conducted in accordance with the appropriate portions of Method **E381**. Etching tests shall be made on a cross section from one end or both ends of each pipe and shall show sound and reasonably uniform material free from injurious laminations, cracks, and similar objectionable defects. If this supplementary requirement is specified, the number of tests per pipe required shall also be specified. If a specimen from any length

shows objectionable defects, the length shall be rejected, subject to removal of the defective end and subsequent retests indicating the remainder of the length to be sound and reasonably uniform material.

NOTE S4.1—Pending development of etching methods applicable to the product covered by this specification, it is recommended that the Recommended Practice for a Standard Macro Etch Test for Routine Inspection of Iron and Steel, described in the *Metals Handbook*, Am. Soc. for Metals, 1948 edition, p. 389, be followed.

S5. Photomicrographs

S5.1 When requested by the purchaser and so stated in the order, the manufacturer shall furnish one photomicrograph at 100 diameters from a specimen of pipe in the as-finished condition for each individual size and wall thickness from each heat, for pipe NPS 3 and over. Such photomicrographs shall be suitably identified as to pipe size, wall thickness, and heat. No photomicrographs for the individual pieces purchased shall be required except as specified in Supplementary Requirement S6. Such photomicrographs are for information only, to show the actual metal structure of the pipe as finished.

S6. Photomicrographs for Individual Pieces

S6.1 In addition to the photomicrographs required in accordance with Supplementary Requirement S5, the purchaser may

specify that photomicrographs shall be furnished from each end of one or more pipes from each lot of pipe NPS 3 and larger in the as-finished condition. The purchaser shall state in the order the number of pipes to be tested from each lot. When photomicrographs are required on each length, the photomicrographs from each lot of pipe in the as-finished condition which may be required under Supplementary Requirement S5 may be omitted. All photo-micrographs required shall be properly identified as to heat number, size, and wall thickness of pipe from which the section was taken. Photomicrographs shall be further identified to permit association of each photomicrograph with the individual length of pipe it represents.

S7. Alternative Heat Treatment—Grade P91

S7.1 Grade P91 shall be normalized in accordance with **Table 2** and tempered at a temperature, to be specified by the purchaser, less than 1350 °F [730 °C]. It shall be purchaser's responsibility to subsequently temper at 1350-1470 °F [730-800 °C] minimum. All mechanical tests shall be made on material heat treated in accordance with **Table 2**. The certification shall reference this supplementary requirement indicating the tempering temperature applied. The notation "S7" shall be included with the required marking of the pipe.

SUMMARY OF CHANGES

Committee A01 has identified the location of selected changes to this specification since the last issue, A335/A335M-05a, that may impact the use of this specification. (Approved May 1, 2006)

- (1) Reduced Cr maximum for Grade 122 in **Table 1**.
- (2) Reduce Al maximum and added maximums for Ti and Zr for Grades P91, P92, P122, and P911 in **Table 1**.

Committee A01 has identified the location of selected changes to this specification since the last issue, A335/A335M-05, that may impact the use of this specification. (Approved May 1, 2005)

- (1) Revised **Table 1**, **Table 3**, **Table 4**, and **Table 5** and modified **9.3** and **13.2.1** to provide for new grade P36, Classes 1 and 2.
- (2) Revised **5.3**, Supplementary Requirement S7, and added **Table 2**, to tabularize the heat treatment requirements and to provide ranges of normalizing and tempering temperatures for Grades P23, P91, P92, P911, and P122. Added permission to

use quenching and tempering for P911 over 3 in. [75mm] in thickness.

- (3) Added **7.6.1** and **7.6.2** to require post-weld heat treatment (PWHT) after weld repair, and to specify temperature ranges for PWHT, for Grades P23, P91, P92, P911, and P122.

Committee A01 has identified the location of selected changes to this specification since the last issue, A335/A335M-03, that may impact the use of this specification. (Approved March 1, 2005)

- (1) Added ASME **B36.10M** to Referenced Documents and corrected the reference from ANSI B36.10 to ASME **B36.10M** in **17.1.4.1**.
- (2) Revised Chromium content of Grade P911 in **Table 1**.

- (3) Added DN SI-unit designator to **10.1** and **Table 6**.
- (4) Added new Section **11** and **Table 7** to address maximum wall thickness of pipe and renumbered subsequent paragraphs and tables accordingly.

ASTM International takes no position respecting the validity of any patent rights asserted in connection with any item mentioned in this standard. Users of this standard are expressly advised that determination of the validity of any such patent rights, and the risk of infringement of such rights, are entirely their own responsibility.

This standard is subject to revision at any time by the responsible technical committee and must be reviewed every five years and if not revised, either reapproved or withdrawn. Your comments are invited either for revision of this standard or for additional standards and should be addressed to ASTM International Headquarters. Your comments will receive careful consideration at a meeting of the responsible technical committee, which you may attend. If you feel that your comments have not received a fair hearing you should make your views known to the ASTM Committee on Standards, at the address shown below.

This standard is copyrighted by ASTM International, 100 Barr Harbor Drive, PO Box C700, West Conshohocken, PA 19428-2959, United States. Individual reprints (single or multiple copies) of this standard may be obtained by contacting ASTM at the above address or at 610-832-9585 (phone), 610-832-9555 (fax), or service@astm.org (e-mail); or through the ASTM website (www.astm.org).

Comparable / Equivalent specifications to SA 213 / SA 335

| COUNTRY | USA | | EUROPEAN UNION | GERMANY | | JAPAN | |
|----------------|-------------|---|--|-------------------------------------|---|---|--|
| STANDARDS | ASME / ASTM | | EN | DIN | | JIS | |
| SPECIFICATIONS | SA/A 209 | SA/A 213 SA/A 335 | EN 10216-2 | DIN 17176 | DIN 17175 | 3461 | 3456 |
| STEEL GRADES | T1 / T1A | P1 T5 / P5 T9 / P9 T11 / P11 T12 / P12 T22 / P22 T91 / P91 T92 / P92 T23 / P23 T36 / P36 | 16Mo3 X11CrMo5 X11CrMo9-10 10CrMo5-5 13CrMo4-5 10CrMo9-10 X10CrMoVNb9-1 X10CrWMoVNb9-2 7CrWVMoNb9-6 15NiCuMoNb5-6-4 | 12CrMo195 X12CrMo5 X12CrMo9-1 | 16Mo3 13CrMo4-4 10CrMo9-10 X10CrMoVNb9-1 | STBA 12 STBA 25 STBA 26 STBA 23 STBA 22 STBA 24 STBA 28 | STPA 12 STPA 25 STPA 26 STPA 23 STPA 22 STPA 24 STPA 28 STPA 29 |

| UK |
|------------------|
| BS |
| |
| 3606 – 625 |
| 3059/2 – 629-590 |
| 3604 – 629-590 |
| 3604 – 621 |
| 3606 – 621 |
| 3059/2-620 |
| 3606 – 620 |
| 3059/2 – 622-490 |
| 3604 – 622 |
| 3059/2 – 91 |



DRILL COLLARS

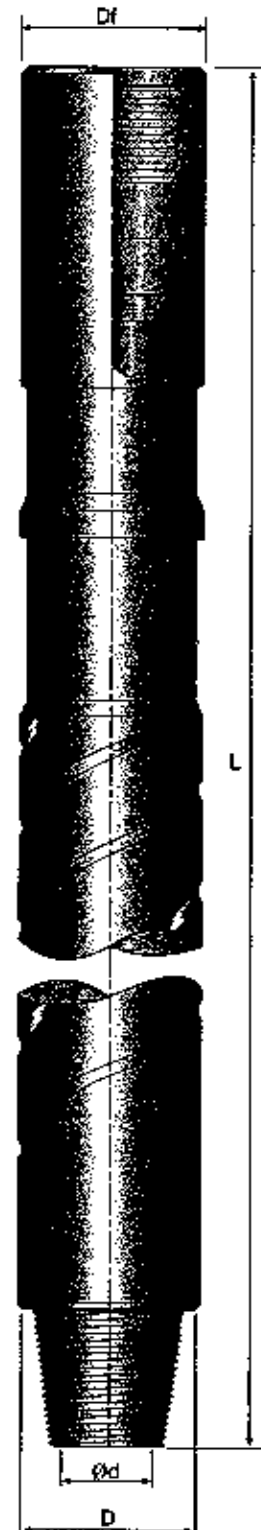
PARVEEN drill collars, are made from ultrasonically tested bars of Chrome Molybdenum Alloy Steel (AISI 4145H modified material) and available in all sizes and connections as per API std 7 & API-RP 7G in Range 2. Drill collar bars are fully heat treated to 285 to 341 BHN and Charpy impact value of 40 ft. Lb.

Physical Properties

| Size | Yield Strength (ksi) | Tensile Strength (ksi) | Elongation (%) | Brinell Hardness (BHN) | Charpy Impact (ft. Lb.) |
|------------------|----------------------|------------------------|----------------|------------------------|-------------------------|
| 3.1/8 THRU 6.7/8 | 110000 /758 | 140000 /965 | 13% | 285 | 40 |
| 7 THRU 10 | 100000 /689 | 135000 /931 | 13% | 277 | 40 |

Drill Collars can be furnished in sizes and dimensions given in the table below.

| NC | Size | Pin Point | Threads | Length | Ratio |
|---------------------|-------|-----------|----------|---------|--------|
| NC 23-31 | 3.1/8 | 1.1/4 | 30 | 3 | 2.57:1 |
| NC 26-35 (2.3/8 IF) | 3.1/2 | 1.1/2 | 30 | 3.17/64 | 2.42:1 |
| NC 31-41 (2.7/8 IF) | 4.1/8 | 2 | 30 or 31 | 3.61/64 | 2.43:1 |
| NC 35-47 | 4.3/4 | 2 | 30 or 31 | 4.83/64 | 2.56:1 |
| NC 38-50 (3.1/2 IF) | 5 | 2.1/4 | 30 or 31 | 4.49/64 | 2.38:1 |
| NC 44-60 | 6 | 2.1/4 | 30 or 31 | 5.11/16 | 2.49:1 |
| NC 44-60 | 6 | 2.13/16 | 30 or 31 | 5.11/16 | 2.84:1 |
| NC 44-62 | 6.1/4 | 2.1/4 | 30 or 31 | 5.7/8 | 2.91:1 |
| NC 46-62 (4 IF) | 6.1/4 | 2.13/16 | 30 or 31 | 5.29/32 | 2.63:1 |
| NC 46-65 (4 IF) | 6.1/2 | 2.1/4 | 30 or 31 | 6.3/32 | 2.76:1 |
| NC 46-65 (4 IF) | 6.1/2 | 2.13/16 | 30 or 31 | 6.3/32 | 3.05:1 |
| NC 46-67 (4 IF) | 6.3/4 | 2.1/4 | 30 or 31 | 6.9/32 | 3.18:1 |
| NC 50-70 (4.1/2 IF) | 7 | 2.1/4 | 30 or 31 | 6.31/64 | 2.54:1 |
| NC 50-70 (4.1/2 IF) | 7 | 2.13/16 | 30 or 31 | 6.91/64 | 2.73:1 |
| NC 50-72 (4.1/2 IF) | 7.1/4 | 2.13/16 | 30 or 31 | 6.43/64 | 3.12:1 |
| NC 56-77 | 7.3/4 | 2.13/16 | 30 or 31 | 7.19/64 | 2.70:1 |
| NC 56-80 | 8 | 2.13/16 | 30 or 31 | 7.31/64 | 3.02:1 |
| 6.5/8 REG | 8.1/4 | 2.13/16 | 30 or 31 | 7.45/64 | 2.93:1 |
| NC 61-90 | 9 | 2.13/16 | 30 or 31 | 8.3/8 | 3.17:1 |
| 7.5/8 REG | 9.1/2 | 3 | 30 or 31 | 8.13/16 | 2.81:1 |
| NC 70-97 | 9.3/4 | 3 | 30 or 31 | 9.5/32 | 2.57:1 |
| NC 70-100 | 10 | 3 | 30 or 31 | 9.31/32 | 2.81:1 |
| 8.5/8 REG | 11 | 3 | 30 or 31 | 10.1/2 | 2.84:1 |





DRILL COLLARS

PARVEEN provides three kinds of Drill Collars. These are:

1. Slick. 30 to 31 feet length.
2. Spiral. 30 to 31 feet length.
3. Short Drill Collars upto 20' length.

Following special Drill Collars features are also available on request:

- | | |
|--|-------------------------------------|
| 1. API stress relief grooves in pin & box. | 5. Drill collar hard banding. |
| 2. API bore back box. | 6. Phosphatising end connections. |
| 3. API slip & elevator recesses. | 7. Thread protectors for box & pin. |
| 4. Cold rolled thread roots. | |

A. STRESS RELIEF GROOVES

Stress relief Grooves at pin and box end reduce fatigue failure.

BORE BACK BOX

Bore back box is nothing but gradual reduction of internal dia by gradually increasing material cross sectional area at critical section. This will ultimately reduce drastically stress concentration during Static / Dynamic loading and prevents box connections from failure.

B. COLD ROLLED THREAD ROOTS

The cold working on thread roots of the Drill Collars thru inducing compressive stresses with the help of externally loaded roller will increase life of Drill Collar by protecting against bending stress in fatigue.

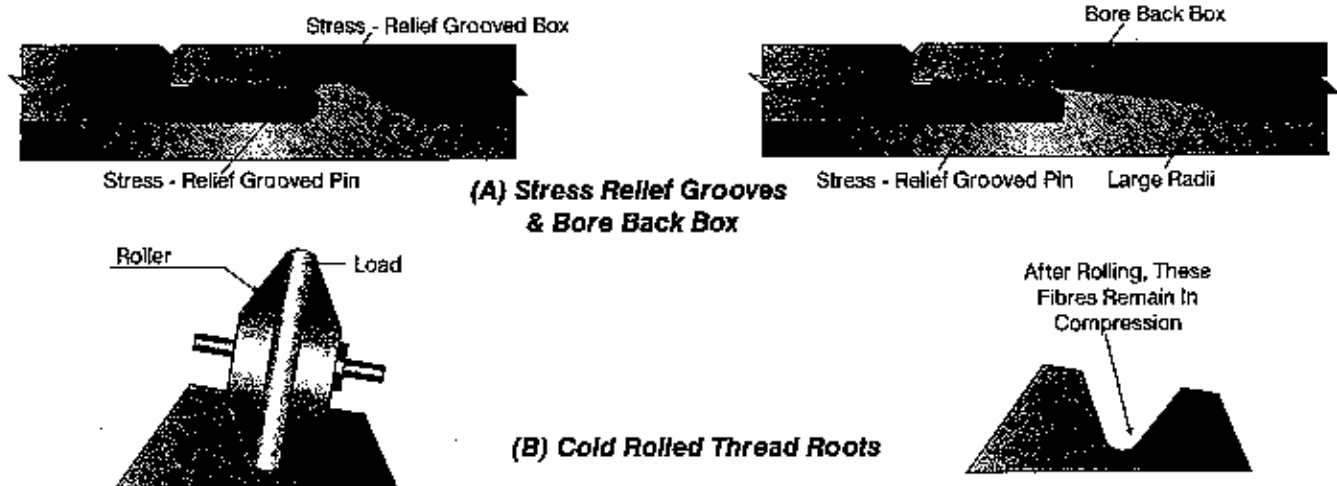
C. DRILL COLLAR HARD BANDING

Hard banding a Drill collar increases the life of Drill Collar while drilling in an abrasive medium. In hard banding, granular tungsten carbide is deposited upto 1/32" (0.8 mm) above Drill Collar O.D. by metal arc, inert gas shielded welding with controlled preheating & post heating.

NOTE: Hard Banding at other locations are also catered upon request

SHORT DRILL COLLARS

Short Drill Collars are made to suit material, sizes, properties & features as specified above except the length is smaller. Short Drill Collars in various lengths are available in slick or spiral. Standard Short Drill collar lengths are 10, 12, 15.1/2 & 20ft. long. For Dimensions, please refer to main Drill Collar section.





DRILL COLLARS

a. DRILL COLLAR GROOVE

FOR ELEVATOR AND SLIP (AS PER API-7G)

It is possible to add elevator and slip recess to PARVEEN Drill Collar. These recesses allow one to dispense with lift subs and safety clamps and to attain savings in operating time. Recommended Slip & Elevator recess dimensions are given below:

DRILL COLLAR SLIP AND ELEVATOR DIMENSIONS

| | | | | | |
|----------------|------|------|--------|------|--------|
| 4 ~ 4.5/8 | 7/32 | 1/8 | 4° | 3/16 | 3.1/2° |
| 4 3/4 ~ 5 5/8 | 1/4 | 1/8 | 5° | 3/16 | 3.1/2° |
| 5.3/4 ~ 6.5/8 | 5/16 | 1/8 | 6° | 1/4 | 5° |
| 6.3/4 ~ 8 5/8 | 3/8 | 3/16 | 7 1/2° | 1/4 | 5° |
| 8.3/4 & Larger | 7/16 | 1/4 | 9° | 1/4 | 5° |

A- ELEVATOR GROOVE

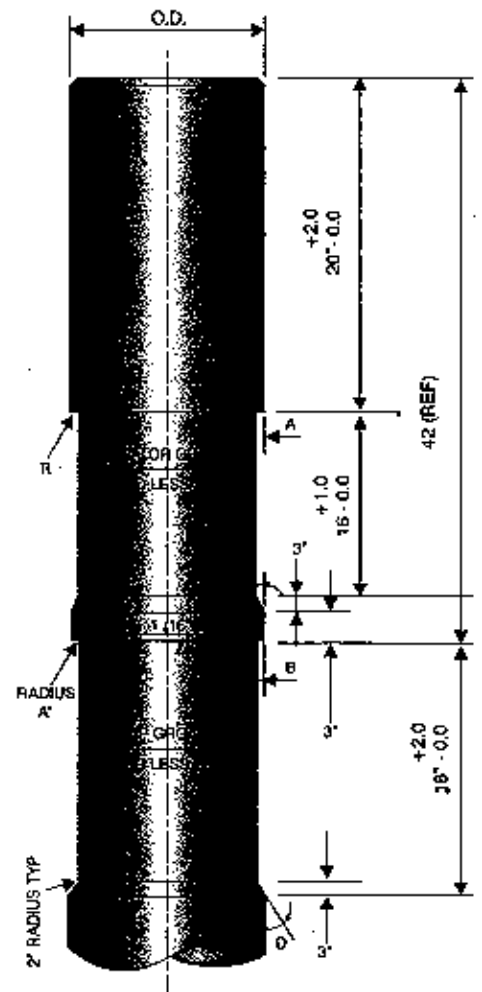
B- SLIP GROOVE

b. SPIRAL DRILL COLLARS

Minimize the potential for differential sticking with PARVEEN's Spiral Drill Collars. They reduce the amount of contact between the drill collar and the wall of hole.

DRILL COLLAR SPIRAL DIMENSIONS

| | | | |
|---------------|-----------------------|---|------------------|
| 4.1/2 ~ 5.1/8 | 7/32 ^{+1/32} | 3 | 38 ^{±1} |
| 5.3/8 ~ 5.7/8 | 1/4 | 3 | 42 ^{±1} |
| 5.7/8 ~ 6.3/8 | 9/32 ^{+1/16} | 3 | 42 ^{±1} |
| 6.1/2 ~ 6.7/8 | 5/16 | 3 | 46 ^{±1} |
| 7 | 5/16 ^{+1/16} | 3 | 64 ^{±1} |
| 7.1/8 ~ 7.7/8 | 1/2 | 3 | 64 ^{±1} |
| 8 ~ 8.7/8 | 3/8 ^{±1/16} | 3 | 68 ^{±1} |
| 9 ~ 9.7/8 | 11/32 | 3 | 72 ^{±1} |
| 10 ~ 10.7/8 | 7/16 ^{±3/32} | 3 | 76 ^{±1} |
| 11 ~ 12 | 1/2 | 3 | 80 ^{±1} |



* All dimensions are in inches U.S.

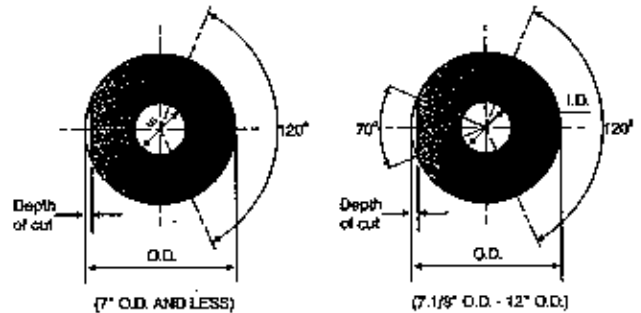


DRILL COLLARS

C. SECTIONAL VIEW OF DRILL COLLAR SPIRAL

When Ordering drill collars, Please specify:

1. Outside Diameter.
2. Inside Diameter.
3. Length.
4. Connection Size & Type:
Stress Relief Groove (SRG) Or without SRG Feature.
Bore Back Box or without.
5. Slip and/or elevator recess.
6. Spiral details.
7. Hard banding.
8. Standard or Heavy duty Thread Protectors.
9. Any Special Features, such as Phosphating etc.



NON MAGNETIC DRILL COLLARS

PARVEEN's Non magnetic drill collars meet the standards for chemical composition used in directional drilling and in addition have.

1. Extremely clean steel.
2. Low permeability, high mechanical properties and superior resistance to corrosion cracking.
3. Display high strength and low permeability throughout the product.

CHEMICAL COMPOSITION

These Non magnetic Drill Collars are of Cr-Mn Type. The Chemical Composition will be such so as to satisfy the following mechanical properties and permeability.

| Mechanical Properties | | | | |
|-----------------------|---------------------------|----------------------------|----|------------------|
| 3.1/2" THRU 6.7/8" | 110,000PSI (758N/MM2) | 120,000PSI (827 N/MM2) | 18 | MIN. 40 FT LB |
| 7" THRU 11" | 100,000PSI (689 N/MM2) | 110,000.PSI (758 N/MM2) | 20 | MIN.40 FT LB |



DRILL COLLARS

PERMEABILITY

Relative Magnetic permeability shall be less than 1.010 through the entire length and the level of such permeability to be uniform. This level of permeability remains stable despite fluctuation of local plastic deformation and temperature fluctuation during operation.

SIZES

Size conform to API Spec. 7.

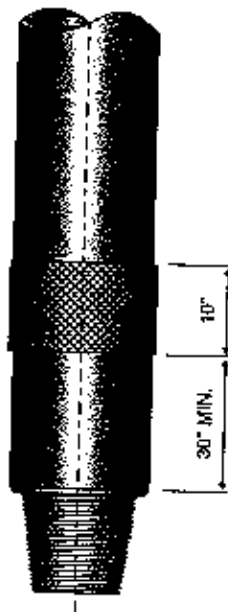
CORROSION RESISTANCE

Austenitic stainless steel drill collars are subject to cracking due to conjoint action of tensile stress and certain specific corrodents. This is called stress corrosion cracking.

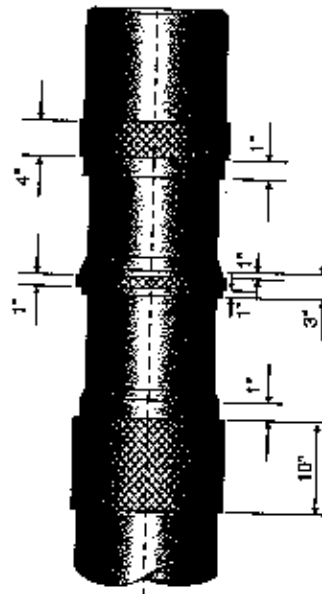
Resistance to Corrosion can be demonstrated by subjecting materials from each Drill Collar to the corrosion test as specified in ASTM A262 practice.

ULTRASONIC TESTING

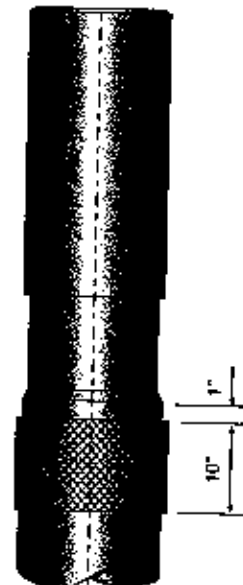
Drill collar bodies are inspected ultrasonically full length over the circumference of the body before boring. Examination Techniques are specified in ASTM E 114 (direct contact method) and ASTM E 214 and / or ASTM E 1001 (immersion method).



Type - A
Pin End



Type - B
Box End With Zip Lift
(Elevator And Slip Recess)



Type - C
(Slip Recess Only)

(c) Drill Collar Hard Banding





- Tubing and Casing
 - Application Guide
 - Highest Performance
 - VAM[®] 21
 - VAM[®] 21 HT
 - VAM[®] TOP
 - VAM[®] TOP HT
 - VAM[®] TOP HC
 - Fastest Running
 - Greatest Clearance
 - Specific Applications
 - Dope-free
- Riser
- Drilling Products
- Connection Data Sheet
- Blanking Dimensions
- Load Case Simulator

Oil & Gas organization and websites

VAM[®] TOP is globally recognised as setting the standard in reliability and performance, for threaded and coupled premium connections. The connection represents the output of 30 years of VAM TUBES[®] Research & Development activities and has a track record that stretches back over more than a decade. The connection minimises the risks that result from combined loads induced by:

GAS PRESSURE TEMPERATURE BENDING COMPRESSION

- BENEFITS**
- Excellent resistance to bending, compression and torque
 - Reliable gas-tight sealing under any kind of combined loads
 - Easy to use and repair
 - Successful field running experience for more than 10 years



Energized metal-to-metal seal

- A patented metal-to-metal seal system offers excellent gas-tight sealing, under even the most severe combined loads, as encountered in deviated or long horizontal wells.
- The seal integrity remains constant after repeated make-ups and break-outs.
- The seal geometry protects against galling.

Reverse Angle Torque Shoulder

- A reverse angle torque shoulder provides a positive torque stop which allows for accurate power-tight make-up and minimizes hoop stresses in the connection.
- The "wedge" effect caused by the reverse angle gives the connection superior structural strength.
- The shoulder design is optimized in order to resist adverse conditions such as combined compression and external pressure or combined bending, compression, and torque [see the corresponding gas-tight VME performance envelopes for tubing and casing sizes].

Improved hook thread design

- A modified hook thread profile with 3° reverse angle on the load flank, not only provides the connection with superior tension strength but also increases its resistance to compression.
- The excellent structural strength including increased bending and compression resistance, makes this connection especially suited for highly deviated and long horizontal wells.
- Optimized thread geometry minimizes the risk of galling, even when thread lubricants are poorly applied.

Coupling design

- The 100% efficient connection performance has been engineered through factors such as: the coverage of the vanishing threads, long internal shoulder, and coupling critical cross sections greater than those of the pipe body

Streamlined internal profile

- A pin ID chamfer, tight tolerances on the coupling center ID and a long shoulder combine to minimize turbulence and energy loss inside the connection for high-velocity gas flows.

Extensive testing to the limits

- The connection has been extensively tested through the whole range of diameters in accordance with the most stringent qualification procedures, including the latest ISO13679 standards.

Options

- Enhanced HP-HT qualified designs are available upon request, for the most extreme applications.
- VAM[®] TOP SC90 / VAM[®] TOP SC80 (special clearance): these extra-clearance couplings offer 90% and 80% tensile efficiency respectively.
- GRE liner: the combination of a GRE liner with a standard VAM[®] TOP connection has been tested and fully validated.
- CLEANWELL[®]: this option gives access to all the benefits coming from a dope-free solution: no storage dope, no running dope.
- VAM[®] TOP HT / VAM[®] TOP HC / VAM[®] TOP FE: Specific VAM[®] TOP designs are available for higher torque applications / higher compression applications / enhanced fatigue resistance. Please refer to the dedicated leaflets for details.

VAM Brochures

- CLEANWELL Leaflet (258) Kb
- OCTO Product Selection Guide 2010 (2548 Kb)
- VAM Book - ENGLISH (6519 Kb)
- VAM TOP Leaflet (1106 Kb)

Torque Tables

- Simplified rules for torques with mixed grades, weight (434 Kb)
- VAM TOP Torque Table (109 Kb)

General Information

- VAM Approved Storage and Running Compounds (18 Kb)



Fox Description

The oil industry trend towards deep, high pressure wells requires advanced tubular technology to meet increasingly severe operational requirements. Tubing and casing strings for deep wells are, in effect, pressure vessels of two to four miles in length, held together by threaded premium connections. These connections must provide gas leak tightness, joint strength, corrosion resistance and make and break capabilities, and operate efficiently in carbon steels, high chrome and other alloys.

Product Description

Fox is an advanced premium threaded connection for tubing, casing and line pipe. Its innovative thread geometry achieves substantial reductions in peak tooth loadings both on make-up and in tension. The patented triple radius contour seal ensures superior overtorque resistance and greatly increased seal stored energy. The result is a significantly reduced tendency to thread galling, combined with outstanding performance even under extreme loadings and rapid temperature change conditions.

Threaded line pipe requires high fatigue performance under long term exposure to cyclic bending in combination with internal and external pressure and axial loadings.

FOX has been jointly designed by Hunting and JFE (Kawasaki Steel Corporation) to meet these challenges, and has been well proven in use worldwide.

Sizes: 2.375 to 13.625

CONVENTIONAL PREMIUM JOINTS

The Problem

Metal-to-metal sealing premium joints generate their sealing preload by torquing after assembly. This sealing compressive load is only reacted by the teeth close to the seal. The resulting high loads on these first few teeth frequently lead to local thread galling. When the joints have to carry high tensile loads, those teeth closest to the end of the coupling transfer most of the loading. The concentration of the load on these few teeth can lead to coupling bellling, a tendency to unzipping of the thread, and high local stresses which can lead to pipe failure. Only the first few threads react to the make-up preload, placing a minimum length of the pin under axial compression and a similar length of the coupling under axial tension, thus severely restricting the stored energy induced in the connection.

Make-Up Torque Only:

Make-Up Torque Plus Axial Tension:

FOX PREMIUM CONNECTION

The Solution

By the use of innovative pitch change thread geometry, the FOX sealing preload is initially reacted by teeth near the centre of the thread. At full make-up Torque the preload is shared by more teeth, reducing peak tooth loads by 30% in comparison to conventional threads. These reduced tooth loads dramatically reduce the risk of thread galling.

Under tension, the thread teeth in the centre of a FOX connection share more of the axial load. Peak tooth loads

are reduced in comparison to conventional connections. The efficient sharing of axial load between the thread teeth gives a balanced connection - coupled bellings is reduced, and joint axial fatigue life is increased by reducing the local pipe stresses at the end of the coupling. The FOX design maintains an increased length of the pin in axial compression, leading to a substantial 80% increase in seal stored energy and enhanced sealing performance in comparison to conventional connections.

Make-Up Torque Only:

Make-Up Torque Plus Axial Tension:

THE FOX PITCH CHANGE CONCEPT

Double Pitch Change

The pin member retains a standard pitch over its entire length. The box member features three sections, each having a different pitch: increased pitch (in relation to the pin) in the outer part of the box, standard pitch in the centre, and reduced pitch in the inner section. This produces gaps at the load-bearing flanks of the thread teeth in the inner and outer regions of the thread, prior to make-up and running, as in the Single Pitch Change version.

When make-up torque is applied and the assembly is run into the well, the gaps between the load-bearing flanks of the thread teeth are closed by make-up torque and by the axial load imposed by pipe weight. The teeth are preferentially loaded in the centre of the connection, with reduced loads in the inner and outer regions.

The risk of thread galling is further reduced by the lower level of radial thread interference in the FOX connection in comparison to other designs.

THE TRIPLE RADIUS CONTOUR SEAL

The smooth, continuous profile of the FOX triple-radius seal improves sealing performance, reduces stress concentrations and provides for increased overtorque resistance.

A more gradual lead-in during make-up is achieved compared with the conventional double taper design, and the principle of tri-axial compression is included. Sealing is achieved as a result of combined radial and axial compression of the nib.

The smooth interior pin to coupling profile produces internally flush bores for tubing applications, maximising bore diameter and reducing turbulence.



Wedge 563™



A threaded and coupled connection providing performance, operational and cost benefits and supported by extensive field experience and customer testing.

FEATURES

Available in tubing sizes from 2 3/8" to 7".

Available in casing sizes from 5" to 16".

100% ratings in tension and compression provided by the dovetail threads.

100% collapse rated thread seal created by full form contact of the dovetail threads, also providing a secondary internal pressure seal rated at pipe body.

Wedge 563™ is interchangeable with Wedge 533™, Wedge 503™ and Wedge 553™.

REQUEST TECHNICAL INFO

TOOLS

Premium Connections Perform

Application Guide

Torque Tables

Blanking Dimensions

Threading and Repair Shops

RUNNING INFORMATION

 Torque Table

Running Manual

CASE STUDIES

BROCHURE AND CATALOGS

APPLICATIONS

Surface & Intermediate casing
Production casing, tie-backs & liners
Casing while Drilling
Horizontal and extended reach wells
SAGD & CSS
Shales
Geothermal
Corrosion protection & ID coating
HP/HT and deep wells

OPTIONS

Dopeless® technology
Matched strength
Recess free bore (RFB)
CB®ring



3SB™



BROCHURES AND CATALOG

[Premium Connections Summary](#)

RUNNING INFORMATION

[Torque Table Running Manual](#)

Specially suitable for use with corrosion-resistant alloys.

FEATURES

Available in sizes from 2 3/8" to 13 5/8".

Reliable and field-proven connection design, especially on chrome materials.

APPLICATIONS

Production Casing
Production Tubing

OPTIONS

Special clearance
Special bevel



MS™



A threaded and coupled connection for use in most carbon steel applications.

FEATURES

Available in sizes from 2 3/8" to 14".
Proven design provides excellent gas tightness with high mechanical properties.

APPLICATIONS

Production casing
Production Tubing

RUNNING INFORMATION

[Torque Table](#)
[Running Manual](#)

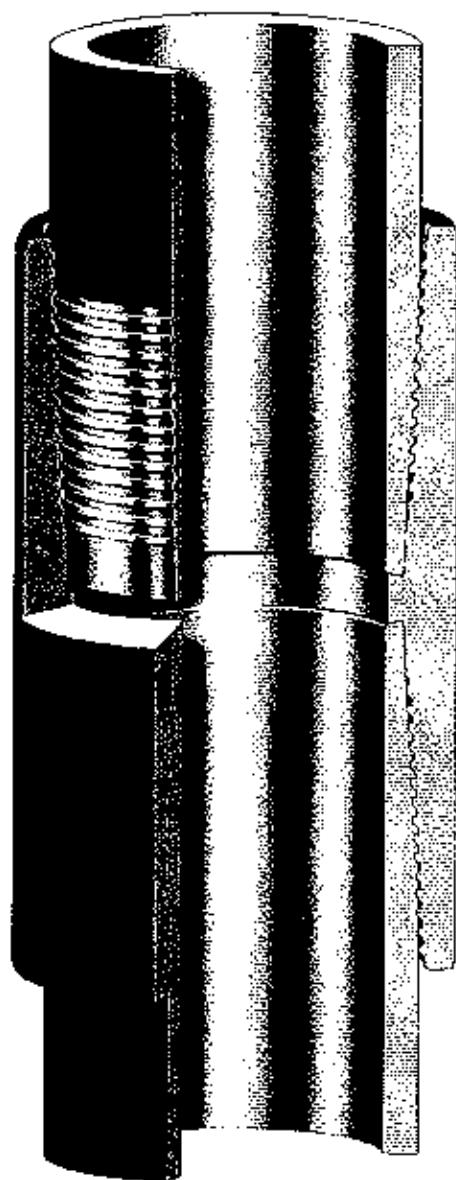
BROCHURE AND CATALOGS

[MS™ Brochure](#)
[Premium Connections Summary](#)

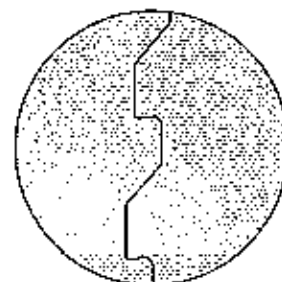
OPTIONS

Matched strength
Special clearance
Special bevel

SEAL-LOCK HC

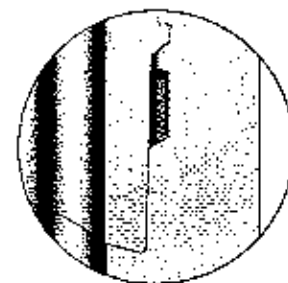
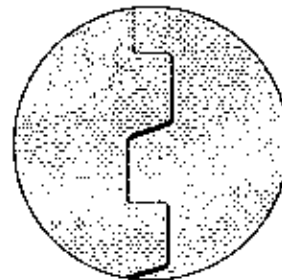


4%–10%



Hooked thread designs

11%–13%



*Internal trapped torque
shoulder, metal-to-metal
seal and lubricant reservoir*

SEAL-LOCK HC

Excellent for Horizontal Drilling

Hooked threads for tensile strength mated with a trapped shoulder for high-compressive loading give SEAL-LOCK HC superior bending and torque resistance necessary for highly deviated well designs. Thread jumpout is virtually eliminated even under the most severe applications.

Special Machined Seal Surface

A special phonograph finish on the metal-to-metal seal surface minimizes galling, holds lubricants and helps sealing with no need for special plating procedures.

Positive Torque Shoulder

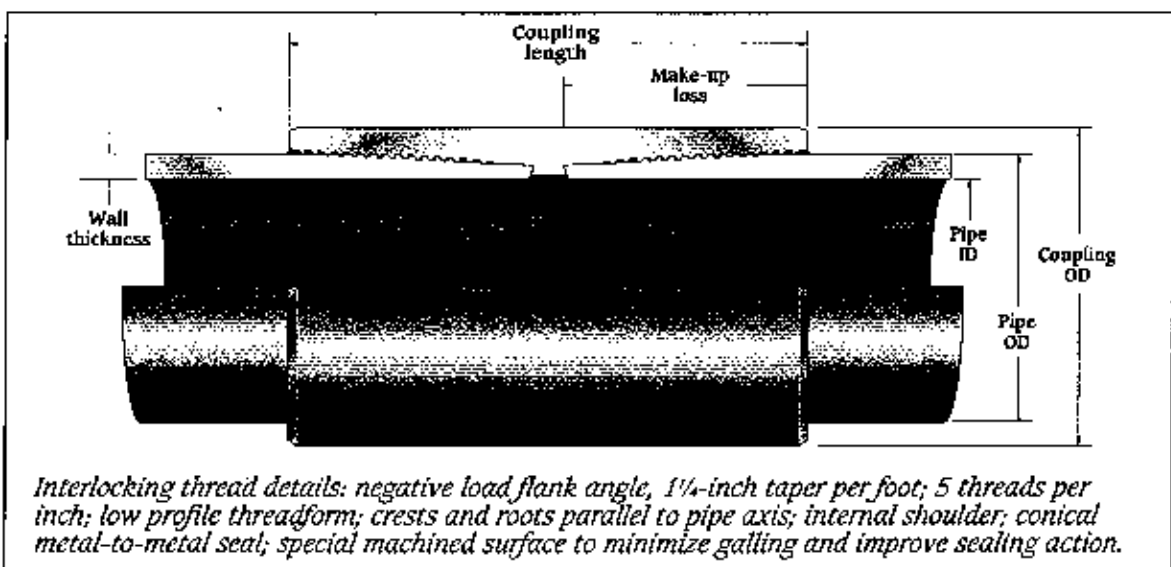
Trapped internal torque shoulder provides a positive torque stop to lessen the chance of over-torquing.

Cost Savings

Low profile, parallel root and crest, hooked thread design provides smooth stabbing and virtually eliminates cross threading. This results in faster running times.

Optimized Design

The time-proven SEAL-LOCK design has been optimized to meet the requirements of the most critical well applications. Assembly and operational stresses have been set at the optimum levels for certified performance. SEAL-LOCK HC has been designed to meet or exceed pipe body burst ratings, formation collapse loads and provide superior tensile strength.



SEAL-LOCK HC CASING CONNECTION DATA

| SIZE | Pipe | | | | | Connection | | | | | | Torque (Ft-Lb) | | | | | | | | | |
|-------|----------------|------------------|----------------|-----------------|--------------------|------------------|------------------------|--------------|-----------------|----------------------|----------------------|----------------|--------|--------|--------|---------|--------|-------|--------|-------|--------|
| | NOMINAL WEIGHT | PLAIN END WEIGHT | WALL THICKNESS | INSIDE DIAMETER | API DRIFT DIAMETER | THREADS PER INCH | CRITICAL CROSS SECTION | MAKE-UP LOSS | COUPLING LENGTH | STANDARD COUPLING OD | SPECIAL CLEARANCE OD | K-55 | | N/L-80 | | C-90/95 | | P-110 | | Q-125 | |
| | IN. | LB/FT | IN. | IN. | IN. | | SO. IN. | IN. | IN. | IN. | IN. | MIN | MAX | MIN | MAX | MIN | MAX | MIN | MAX | MIN | MAX |
| 4 1/2 | 11.60 | 11.55 | 0.250 | 4.000 | 3.875 | 5 | 3.358 | 3.294 | 7.250 | 5.000 | 4.882 | 3,600 | 4,400 | 3,800 | 4,600 | 3,900 | 4,700 | 4,100 | 4,900 | 4,800 | 5,600 |
| | 12.60 | 12.24 | 0.271 | 3.958 | 3.833 | 5 | 3.600 | 3.294 | 7.250 | 5.000 | 4.916 | 3,700 | 4,600 | 3,800 | 4,700 | 4,000 | 4,900 | 4,200 | 5,100 | 4,900 | 5,800 |
| | 13.50 | 13.04 | 0.290 | 3.920 | 3.795 | 5 | 3.667 | 3.294 | 7.250 | 5.000 | 4.947 | 3,800 | 4,700 | 3,900 | 4,900 | 4,100 | 5,000 | 4,300 | 5,200 | 5,000 | 5,900 |
| | 15.10 | 14.98 | 0.337 | 3.826 | 3.701 | 5 | 3.667 | 3.294 | 7.250 | 5.000 | N/A | 3,900 | 5,000 | 4,100 | 5,200 | 4,200 | 5,300 | 4,400 | 5,500 | 5,100 | 6,200 |
| 5 | 13.00 | 12.83 | 0.253 | 4.484 | 4.369 | 5 | 3.773 | 3.352 | 7.375 | 5.563 | 5.385 | 3,700 | 4,600 | 3,900 | 4,800 | 4,000 | 4,900 | 4,300 | 5,100 | 4,900 | 5,800 |
| | 15.00 | 14.87 | 0.296 | 4.408 | 4.283 | 5 | 4.287 | 3.352 | 7.375 | 5.563 | 5.456 | 3,900 | 5,000 | 4,100 | 5,100 | 4,200 | 5,300 | 4,400 | 5,500 | 5,100 | 6,200 |
| | 18.00 | 17.93 | 0.362 | 4.278 | 4.151 | 5 | 4.287 | 3.352 | 7.375 | 5.563 | N/A | 4,200 | 5,400 | 4,300 | 5,600 | 4,500 | 5,700 | 4,700 | 5,900 | 5,400 | 6,600 |
| 5 1/2 | 15.50 | 15.35 | 0.275 | 4.950 | 4.825 | 5 | 4.514 | 3.582 | 7.875 | 6.090 | 5.902 | 4,000 | 5,000 | 4,100 | 5,100 | 4,300 | 5,300 | 4,500 | 5,500 | 5,200 | 6,200 |
| | 17.00 | 16.67 | 0.304 | 4.892 | 4.767 | 5 | 4.962 | 3.582 | 7.875 | 6.090 | 5.951 | 4,100 | 5,200 | 4,300 | 5,400 | 4,400 | 5,500 | 4,600 | 5,700 | 5,300 | 6,400 |
| | 20.00 | 19.81 | 0.361 | 4.778 | 4.653 | 5 | 5.515 | 3.582 | 7.875 | 6.090 | N/A | 4,300 | 5,600 | 4,500 | 5,800 | 4,600 | 5,900 | 4,900 | 6,100 | 5,500 | 6,800 |
| | 23.00 | 22.54 | 0.415 | 4.670 | 4.545 | 5 | 5.515 | 3.582 | 7.875 | 6.090 | N/A | 4,500 | 6,000 | 4,700 | 6,100 | 4,800 | 6,300 | 5,000 | 6,500 | 5,700 | 7,200 |
| 6 | 20.00 | 19.49 | 0.288 | 5.049 | 4.924 | 5 | 5.734 | 3.928 | 8.500 | 7.390 | 7.022 | 4,100 | 5,700 | 4,300 | 5,800 | 4,400 | 6,000 | 4,600 | 6,200 | 5,300 | 6,900 |
| | 24.00 | 23.58 | 0.352 | 4.921 | 4.796 | 5 | 6.937 | 3.928 | 8.500 | 7.390 | 7.130 | 4,500 | 6,400 | 4,700 | 6,500 | 4,800 | 6,700 | 5,000 | 6,900 | 5,700 | 7,600 |
| | 28.00 | 27.65 | 0.417 | 4.791 | 4.666 | 5 | 8.123 | 3.928 | 8.500 | 7.390 | 7.237 | 4,800 | 7,000 | 5,000 | 7,100 | 5,100 | 7,300 | 5,300 | 7,500 | 6,000 | 8,200 |
| | 32.00 | 31.20 | 0.475 | 4.675 | 4.550 | 5 | 8.123 | 3.928 | 8.500 | 7.390 | 7.328 | 5,100 | 7,500 | 5,200 | 7,600 | 5,400 | 7,800 | 5,600 | 8,000 | 6,300 | 8,700 |
| 7 | 23.00 | 22.63 | 0.317 | 5.566 | 5.450* | 5 | 6.655 | 4.100 | 8.875 | 7.656 | 7.432 | 4,600 | 6,300 | 4,700 | 6,400 | 4,900 | 6,600 | 5,100 | 6,800 | 5,800 | 7,500 |
| | 26.00 | 25.66 | 0.362 | 5.276 | 5.151 | 5 | 7.549 | 4.100 | 8.875 | 7.656 | 7.509 | 4,900 | 6,800 | 5,000 | 6,900 | 5,200 | 7,100 | 5,400 | 7,300 | 6,100 | 8,000 |
| | 29.00 | 28.72 | 0.408 | 5.184 | 5.125* | 5 | 8.449 | 4.100 | 8.875 | 7.656 | 7.585 | 5,100 | 7,200 | 5,300 | 7,400 | 5,400 | 7,500 | 5,700 | 7,700 | 6,300 | 8,400 |
| | 32.00 | 31.67 | 0.453 | 5.094 | 5.000* | 5 | 9.317 | 4.100 | 8.875 | 7.656 | N/A | 5,400 | 7,600 | 5,500 | 7,800 | 5,700 | 7,900 | 5,900 | 8,100 | 6,600 | 8,800 |
| | 35.00 | 34.56 | 0.498 | 4.904 | 4.879 | 5 | 9.344 | 4.100 | 8.875 | 7.656 | N/A | 5,600 | 8,000 | 5,700 | 8,100 | 5,900 | 8,300 | 6,100 | 8,500 | 6,800 | 9,200 |
| | 38.00 | 37.26 | 0.540 | 4.820 | 4.795 | 5 | 9.344 | 4.100 | 8.875 | 7.656 | N/A | 5,700 | 8,300 | 5,900 | 8,400 | 6,000 | 8,600 | 6,200 | 8,800 | 6,900 | 9,500 |
| 7 1/2 | 26.40 | 25.56 | 0.378 | 6.969 | 6.844 | 5 | 7.519 | 4.313 | 9.250 | 8.500 | 8.125 | 5,000 | 7,000 | 5,200 | 7,100 | 5,300 | 7,300 | 5,500 | 7,500 | 6,200 | 8,200 |
| | 29.70 | 29.04 | 0.375 | 6.875 | 6.750 | 5 | 8.541 | 4.313 | 9.250 | 8.500 | 8.139 | 5,400 | 7,600 | 5,500 | 7,800 | 5,700 | 7,900 | 5,900 | 8,100 | 6,800 | 8,800 |
| | 33.70 | 33.04 | 0.430 | 6.763 | 6.640 | 5 | 9.720 | 4.313 | 9.250 | 8.500 | 8.230 | 5,800 | 8,300 | 5,900 | 8,400 | 6,100 | 8,600 | 6,300 | 8,800 | 7,000 | 9,500 |
| | 39.00 | 38.05 | 0.500 | 6.625 | 6.500 | 5 | 11.192 | 4.313 | 9.250 | 8.500 | 8.344 | 6,200 | 9,000 | 6,300 | 9,200 | 6,500 | 9,300 | 6,700 | 9,500 | 7,400 | 10,200 |
| 7 1/2 | 46.10 | 45.47 | 0.595 | 6.560 | 6.500* | 5 | 13.374 | 5.313 | 11.650 | 9.600 | 9.909 | 6,600 | 9,900 | 6,800 | 10,100 | 6,900 | 10,200 | 7,200 | 10,400 | 7,800 | 11,100 |
| 8 | 32.00 | 31.10 | 0.352 | 7.921 | 7.875* | 5 | 9.149 | 4.772 | 10.250 | 9.625 | 9.125 | 5,600 | 7,900 | 5,700 | 8,100 | 5,900 | 8,200 | 6,100 | 8,400 | 6,800 | 9,100 |
| | 36.00 | 35.14 | 0.400 | 7.825 | 7.700 | 5 | 10.336 | 4.772 | 10.250 | 9.625 | 9.142 | 6,000 | 8,700 | 6,300 | 8,800 | 6,300 | 9,000 | 6,500 | 9,200 | 7,200 | 9,900 |
| | 40.00 | 39.29 | 0.450 | 7.725 | 7.625* | 5 | 11.337 | 4.772 | 10.250 | 9.625 | 9.227 | 6,400 | 9,400 | 6,600 | 9,600 | 6,700 | 9,700 | 7,000 | 9,900 | 7,600 | 10,600 |
| | 44.00 | 43.39 | 0.500 | 7.625 | 7.500 | 5 | 12.763 | 4.772 | 10.250 | 9.625 | 9.310 | 6,800 | 10,100 | 7,000 | 10,200 | 7,100 | 10,400 | 7,300 | 10,600 | 8,000 | 11,300 |
| | 49.00 | 47.99 | 0.557 | 7.511 | 7.386 | 5 | 14.118 | 4.772 | 10.250 | 9.625 | 9.402 | 7,200 | 10,700 | 7,400 | 10,900 | 7,500 | 11,000 | 7,700 | 11,200 | 8,400 | 11,900 |

SEAL-LOCK HC CASING CONNECTION DATA (Continued)

| SIZE | Pipe | | | | | Connection | | | | | | Torque (Ft-Lb) | | | | | | | | | |
|--------|----------------|------------------|----------------|-----------------|--------------------|------------------|------------------------|--------------|-----------------|----------------------|----------------------|----------------|--------|--------|--------|---------|--------|--------|--------|--------|--------|
| | NOMINAL WEIGHT | PLAIN END WEIGHT | WALL THICKNESS | INSIDE DIAMETER | API DRIFT DIAMETER | THREADS PER INCH | CRITICAL CROSS SECTION | MAKE-UP LOSS | COUPLING LENGTH | STANDARD COUPLING OD | SPECIAL CLEARANCE OD | K-55 | | N/L-80 | | C-90/95 | | P-110 | | Q-125 | |
| | IN. LB/FT | LB/FT | IN. | IN. | IN. | | SQ. IN. | IN. | IN. | IN. | IN. | MIN | MAX | MIN | MAX | MIN | MAX | MIN | MAX | MIN | MAX |
| 9 1/2 | 36.00 | 34.86 | 0.352 | 8.921 | 8.765 | 5 | 10.254 | 4.772 | 10.250 | 10.625 | 10.125 | 6,600 | 9,500 | 6,800 | 9,600 | 7,000 | 9,800 | 7,200 | 10,000 | 7,900 | 10,800 |
| | 40.00 | 38.94 | 0.395 | 8.835 | 8.750* | 5 | 11.454 | 4.772 | 10.250 | 10.625 | 10.135 | 7,700 | 10,300 | 7,300 | 10,500 | 7,500 | 10,600 | 7,700 | 10,900 | 8,500 | 11,600 |
| | 43.50 | 42.70 | 0.435 | 8.755 | 8.625* | 5 | 12.559 | 4.772 | 10.250 | 10.625 | 10.205 | 7,500 | 11,000 | 7,700 | 11,200 | 7,900 | 11,400 | 8,100 | 11,600 | 9,900 | 12,300 |
| | 47.00 | 46.14 | 0.472 | 8.681 | 8.625* | 5 | 13.572 | 4.772 | 10.250 | 10.625 | 10.268 | 7,900 | 11,600 | 8,100 | 11,800 | 8,300 | 12,000 | 8,500 | 12,200 | 9,200 | 13,000 |
| | 53.50 | 52.85 | 0.545 | 8.535 | 8.500* | 5 | 15.546 | 4.772 | 10.250 | 10.625 | 10.390 | 8,600 | 12,700 | 8,700 | 12,900 | 8,900 | 13,000 | 9,100 | 13,300 | 9,900 | 14,000 |
| 9 3/4 | 59.20 | 58.18 | 0.595 | 8.560 | 8.500* | 5 | 17.113 | 5.972 | 12.650 | 10.825 | 10.485 | 8,700 | 13,000 | 8,900 | 13,200 | 9,000 | 13,400 | 9,300 | 13,600 | 10,000 | 14,300 |
| 9 7/8 | 62.80 | 61.74 | 0.625 | 8.625 | 8.500* | 5 | 16.162 | 7.172 | 15.050 | 10.625 | 10.549 | 8,900 | 13,500 | 9,100 | 13,700 | 9,200 | 13,800 | 9,500 | 14,100 | 10,200 | 14,600 |
| 10 | 40.50 | 38.88 | 0.350 | 10.050 | 9.894 | 5 | 11.435 | 4.772 | 10.250 | 11.750 | 11.250 | 7,800 | 10,700 | 8,000 | 10,900 | 8,300 | 11,100 | 8,500 | 11,400 | 9,500 | 12,300 |
| | 45.50 | 44.22 | 0.400 | 9.950 | 9.875* | 5 | 13.006 | 4.772 | 10.250 | 11.750 | 11.275 | 8,500 | 11,700 | 8,700 | 11,900 | 8,900 | 12,100 | 9,200 | 12,400 | 10,100 | 13,400 |
| | 51.00 | 49.30 | 0.450 | 9.850 | 9.894 | 5 | 14.561 | 4.772 | 10.250 | 11.750 | 11.361 | 9,100 | 12,700 | 9,300 | 12,900 | 9,500 | 13,100 | 9,800 | 13,300 | 10,700 | 14,300 |
| | 55.50 | 54.21 | 0.495 | 9.760 | 9.825* | 5 | 15.947 | 4.772 | 10.250 | 11.750 | 11.458 | 9,600 | 13,400 | 9,800 | 13,600 | 10,000 | 13,800 | 10,300 | 14,100 | 11,200 | 15,100 |
| | 60.70 | 59.40 | 0.545 | 9.660 | 9.804 | 5 | 17.473 | 4.772 | 10.250 | 11.750 | 11.523 | 10,000 | 14,200 | 10,200 | 14,400 | 10,400 | 14,600 | 10,700 | 14,900 | 11,700 | 15,800 |
| | 65.70 | 64.53 | 0.595 | 9.560 | 9.500* | 5 | 18.982 | 4.772 | 10.250 | 11.750 | 11.606 | 10,500 | 14,900 | 10,700 | 15,100 | 10,900 | 15,300 | 11,200 | 15,600 | 12,100 | 16,500 |
| 11 | 47.00 | 45.56 | 0.375 | 11.000 | 10.844 | 5 | 13.401 | 4.801 | 10.250 | 12.750 | N/A | 10,100 | 13,200 | 10,400 | 13,500 | 10,700 | 13,800 | 11,100 | 14,200 | 12,500 | 15,600 |
| | 54.00 | 53.57 | 0.455 | 10.880 | 10.724 | 5 | 15.455 | 4.801 | 10.250 | 12.750 | N/A | 10,900 | 14,400 | 11,200 | 14,700 | 11,500 | 15,000 | 11,900 | 15,400 | 13,300 | 16,800 |
| | 60.00 | 58.81 | 0.489 | 10.772 | 10.625* | 5 | 17.360 | 4.801 | 10.250 | 12.750 | N/A | 11,500 | 15,400 | 11,800 | 15,700 | 12,100 | 16,000 | 12,500 | 15,400 | 13,900 | 17,800 |
| | 65.00 | 63.97 | 0.534 | 10.682 | 10.525* | 5 | 18.816 | 4.801 | 10.250 | 12.750 | N/A | 12,000 | 16,100 | 12,300 | 16,400 | 12,600 | 16,700 | 13,000 | 17,100 | 14,400 | 18,500 |
| | 66.70 | 65.45 | 0.547 | 10.636 | 10.500* | 5 | 19.252 | 4.801 | 10.250 | 12.750 | N/A | 12,100 | 16,300 | 12,400 | 16,500 | 12,700 | 16,900 | 13,100 | 17,300 | 14,500 | 18,700 |
| | 71.00 | 69.42 | 0.582 | 10.586 | 10.430 | 5 | 20.420 | 4.801 | 10.250 | 12.750 | N/A | 12,400 | 16,800 | 12,700 | 17,100 | 13,000 | 17,400 | 13,400 | 17,800 | 14,800 | 19,200 |
| | 73.60 | 72.46 | 0.609 | 10.532 | 10.378 | 5 | 21.315 | 4.801 | 10.250 | 12.750 | N/A | 12,700 | 17,200 | 13,000 | 17,500 | 13,300 | 17,800 | 13,700 | 18,200 | 15,100 | 19,600 |
| | 80.50 | 79.51 | 0.672 | 10.406 | 10.250* | 5 | 23.283 | 4.801 | 10.250 | 12.750 | N/A | 13,200 | 18,000 | 13,500 | 18,300 | 13,800 | 18,600 | 14,300 | 19,000 | 15,600 | 20,400 |
| | 87.20 | 86.56 | 0.754 | 10.282 | 10.126 | 5 | 25.945 | 4.801 | 10.250 | 12.750 | N/A | 13,600 | 18,700 | 13,900 | 19,000 | 14,200 | 19,300 | 14,600 | 19,700 | 16,000 | 21,100 |
| 11 1/2 | 71.80 | 70.20 | 0.582 | 10.711 | 10.625* | 5 | 20.648 | 5.001 | 12.650 | 12.750 | N/A | 12,500 | 17,200 | 12,800 | 17,500 | 13,100 | 17,800 | 13,600 | 18,200 | 14,900 | 18,600 |
| 13 | 54.50 | 52.74 | 0.380 | 12.615 | 12.459 | 5 | 15.513 | 4.801 | 10.250 | 14.375 | N/A | 12,300 | 15,400 | 12,700 | 15,800 | 13,100 | 16,200 | 13,600 | 16,700 | 15,500 | 18,600 |
| | 61.00 | 59.45 | 0.430 | 12.515 | 12.359 | 5 | 17.487 | 4.801 | 10.250 | 14.375 | N/A | 12,900 | 16,400 | 13,300 | 16,800 | 13,700 | 17,200 | 14,300 | 17,800 | 16,200 | 19,600 |
| | 68.00 | 66.11 | 0.480 | 12.415 | 12.259 | 5 | 19.445 | 4.801 | 10.250 | 14.375 | N/A | 13,500 | 17,300 | 13,900 | 17,700 | 14,300 | 18,100 | 14,900 | 18,700 | 16,700 | 20,600 |
| | 72.00 | 70.60 | 0.514 | 12.347 | 12.250* | 5 | 20.768 | 4.801 | 10.250 | 14.375 | N/A | 13,800 | 17,900 | 14,300 | 18,300 | 14,700 | 18,700 | 15,200 | 19,300 | 17,100 | 21,100 |
| | 77.00 | 75.33 | 0.550 | 12.275 | 12.119 | 5 | 22.160 | 4.801 | 10.250 | 14.375 | N/A | 14,200 | 18,400 | 14,600 | 18,800 | 15,000 | 19,200 | 15,600 | 19,800 | 17,500 | 21,700 |
| | 85.00 | 82.90 | 0.606 | 12.159 | 12.003 | 5 | 24.386 | 4.801 | 10.250 | 14.375 | N/A | 14,700 | 19,300 | 15,100 | 19,700 | 15,500 | 20,100 | 16,100 | 20,700 | 18,000 | 22,500 |
| 13 1/2 | 88.20 | 86.78 | 0.625 | 12.375 | 12.250* | 5 | 25.525 | 7.201 | 15.063 | 14.375 | N/A | 16,100 | 22,100 | 16,500 | 22,500 | 16,900 | 22,900 | 17,500 | 23,500 | 19,400 | 25,400 |

*Special drift diameter

Notes: See SEAL-LOCK APEX catalog for heavy weight sizes not listed. HW SEAL-LOCK available upon request.
 Critical Cross Section—based on lesser of nominal pipe body area, thread flank area or critical section areas.
 Contact your Hunting representative for torque values on special clearance couplings.

SEAL-LOCK HC CASING PERFORMANCE DATA

| SIZE | NOMINAL WEIGHT LB/FT | Minimum Tensile Load (1000 Lb) | | | | | | | Setting Depth (Ft) | | | | | | |
|------|-------------------------|--------------------------------|--------|--------|--------|--------|--------|--------|--------------------|--------|--------|--------|--------|--------|--------|
| | | K-55 | L-80 | N-80 | C-90 | C-95 | P-110 | Q-125 | K-55 | L-80 | N-80 | C-90 | C-95 | P-110 | Q-125 |
| | | SF=2.0 | SF=1.5 | SF=1.6 | SF=1.5 | SF=1.5 | SF=1.5 | SF=1.5 | SF=2.0 | SF=1.5 | SF=1.6 | SF=1.5 | SF=1.5 | SF=1.5 | SF=1.5 |
| 4½ | 11.60 | 317 | 317 | 334 | 334 | 350 | 417 | 451 | 13,670 | 18,220 | 17,990 | 19,180 | 20,140 | 23,980 | 25,900 |
| | 12.60 | 342 | 342 | 360 | 360 | 378 | 450 | 486 | 13,570 | 18,100 | 17,860 | 19,050 | 20,000 | 23,810 | 25,720 |
| | 13.50 | 348 | 348 | 367 | 367 | 385 | 458 | 495 | 12,900 | 17,200 | 16,980 | 18,110 | 19,010 | 22,630 | 24,440 |
| | 15.10 | 348 | 348 | 367 | 367 | 385 | 458 | 495 | 11,540 | 15,380 | 15,180 | 16,190 | 17,000 | 20,230 | 21,860 |
| 5 | 13.00 | 358 | 358 | 377 | 377 | 396 | 472 | 509 | 13,790 | 18,380 | 18,140 | 19,350 | 20,320 | 24,190 | 26,120 |
| | 15.00 | 407 | 407 | 429 | 429 | 450 | 536 | 579 | 13,690 | 18,250 | 17,870 | 19,060 | 20,010 | 23,810 | 25,720 |
| | 18.00 | 407 | 407 | 429 | 429 | 450 | 536 | 579 | 11,320 | 15,080 | 14,890 | 15,880 | 16,680 | 19,850 | 21,440 |
| 5½ | 15.50 | 429 | 429 | 451 | 451 | 474 | 564 | 609 | 13,830 | 18,450 | 18,200 | 19,420 | 20,390 | 24,270 | 26,210 |
| | 17.00 | 471 | 471 | 496 | 496 | 521 | 620 | 670 | 13,870 | 18,490 | 18,240 | 19,460 | 20,430 | 24,330 | 26,270 |
| | 20.00 | 524 | 524 | 551 | 551 | 579 | 689 | 744 | 13,070 | 17,420 | 17,190 | 18,340 | 19,260 | 22,920 | 24,750 |
| | 23.00 | 524 | 524 | 551 | 551 | 579 | 689 | 744 | 11,360 | 15,140 | 14,950 | 15,940 | 16,740 | 19,930 | 21,520 |
| 6 | 20.00 | 545 | 545 | 573 | 573 | 602 | 717 | 774 | 13,620 | 18,160 | 17,920 | 19,110 | 20,070 | 23,890 | 25,800 |
| | 24.00 | 659 | 659 | 694 | 694 | 728 | 867 | 936 | 13,730 | 18,310 | 18,070 | 19,270 | 20,230 | 24,090 | 26,010 |
| | 28.00 | 772 | 772 | 812 | 812 | 853 | 1,015 | 1,097 | 13,780 | 18,380 | 18,130 | 19,340 | 20,310 | 24,170 | 26,110 |
| | 32.00 | 772 | 772 | 812 | 812 | 853 | 1,015 | 1,097 | 12,060 | 16,070 | 15,870 | 16,930 | 17,770 | 21,160 | 22,840 |
| 7 | 23.00 | 632 | 632 | 666 | 666 | 699 | 832 | 898 | 13,750 | 18,330 | 18,090 | 19,290 | 20,260 | 24,110 | 26,040 |
| | 26.00 | 717 | 717 | 755 | 755 | 793 | 944 | 1,019 | 13,790 | 18,390 | 18,150 | 19,360 | 20,330 | 24,200 | 26,130 |
| | 29.00 | 803 | 803 | 845 | 845 | 887 | 1,056 | 1,141 | 13,840 | 18,450 | 18,210 | 19,420 | 20,400 | 24,280 | 26,220 |
| | 32.00 | 885 | 885 | 932 | 932 | 978 | 1,165 | 1,258 | 13,830 | 18,440 | 18,200 | 19,410 | 20,390 | 24,280 | 26,200 |
| | 35.00 | 886 | 888 | 934 | 934 | 981 | 1,168 | 1,261 | 12,680 | 16,910 | 16,680 | 17,800 | 18,650 | 22,250 | 24,030 |
| | 38.00 | 888 | 888 | 934 | 934 | 981 | 1,168 | 1,261 | 11,680 | 15,570 | 15,370 | 16,400 | 17,210 | 20,490 | 22,130 |
| 7½ | 26.40 | 714 | 714 | 752 | 752 | 790 | 940 | 1,015 | 13,530 | 18,040 | 17,800 | 18,990 | 19,940 | 23,740 | 25,630 |
| | 29.70 | 811 | 811 | 854 | 854 | 897 | 1,068 | 1,153 | 13,660 | 18,210 | 17,970 | 19,170 | 20,130 | 23,970 | 25,880 |
| | 33.70 | 923 | 923 | 972 | 972 | 1,021 | 1,215 | 1,312 | 13,700 | 18,270 | 18,030 | 19,230 | 20,190 | 24,040 | 25,960 |
| | 39.00 | 1,063 | 1,063 | 1,119 | 1,119 | 1,175 | 1,399 | 1,511 | 13,630 | 18,170 | 17,940 | 19,130 | 20,090 | 23,920 | 25,830 |
| 7¾ | 46.10 | 1,271 | 1,271 | 1,337 | 1,337 | 1,404 | 1,672 | 1,806 | 13,780 | 18,370 | 18,130 | 19,340 | 20,310 | 24,180 | 26,110 |
| 8 | 32.00 | 869 | 869 | 915 | 915 | 961 | 1,144 | 1,235 | 13,580 | 18,110 | 17,870 | 19,060 | 20,010 | 23,830 | 25,730 |
| | 36.00 | 982 | 982 | 1,034 | 1,034 | 1,085 | 1,292 | 1,395 | 13,640 | 18,180 | 17,940 | 19,140 | 20,100 | 23,930 | 25,840 |
| | 40.00 | 1,098 | 1,098 | 1,156 | 1,156 | 1,213 | 1,445 | 1,560 | 13,720 | 18,300 | 18,060 | 19,260 | 20,230 | 24,080 | 26,000 |
| | 44.00 | 1,212 | 1,212 | 1,276 | 1,276 | 1,340 | 1,595 | 1,723 | 13,780 | 18,370 | 18,130 | 19,340 | 20,300 | 24,170 | 26,110 |
| | 49.00 | 1,341 | 1,341 | 1,412 | 1,412 | 1,482 | 1,765 | 1,906 | 13,690 | 18,250 | 18,010 | 19,210 | 20,170 | 24,010 | 25,930 |

SEAL-LOCK HC CASING PERFORMANCE DATA (Continued)

| SIZE | NOMINAL WEIGHT | Minimum Tensile Load (1000 Lb) | | | | | | | Setting Depth (Ft) | | | | | | |
|------|----------------|--------------------------------|-------|-------|-------|-------|-------|-------|--------------------|--------|--------|--------|--------|--------|--------|
| | | K-55 | L-80 | N-80 | C-90 | C-95 | P-110 | Q-125 | K-55 | L-80 | N-80 | C-90 | C-95 | P-110 | Q-125 |
| | | IN. | LB/FT | | | | | | SF=2.0 | SF=1.5 | SF=1.5 | SF=1.5 | SF=1.5 | SF=1.5 | SF=1.5 |
| 9% | 36.00 | 974 | 974 | 1,025 | 1,025 | 1,077 | 1,282 | 1,384 | 13,530 | 18,040 | 17,800 | 18,990 | 19,940 | 23,740 | 25,640 |
| | 40.00 | 1,088 | 1,088 | 1,145 | 1,145 | 1,205 | 1,432 | 1,546 | 13,600 | 18,140 | 17,900 | 19,090 | 20,040 | 23,860 | 25,770 |
| | 43.50 | 1,193 | 1,193 | 1,256 | 1,256 | 1,319 | 1,570 | 1,695 | 13,710 | 18,290 | 18,050 | 19,250 | 20,210 | 24,060 | 25,980 |
| | 47.00 | 1,289 | 1,289 | 1,357 | 1,357 | 1,425 | 1,697 | 1,832 | 13,720 | 18,290 | 18,050 | 19,250 | 20,210 | 24,060 | 25,990 |
| | 53.50 | 1,477 | 1,477 | 1,555 | 1,555 | 1,632 | 1,943 | 2,099 | 13,800 | 18,400 | 18,160 | 19,370 | 20,340 | 24,220 | 26,150 |
| 9% | 59.20 | 1,626 | 1,626 | 1,711 | 1,711 | 1,797 | 2,139 | 2,310 | 13,730 | 18,310 | 18,070 | 19,270 | 20,240 | 24,090 | 26,020 |
| 9% | 62.60 | 1,706 | 1,706 | 1,796 | 1,796 | 1,886 | 2,245 | 2,425 | 13,740 | 18,320 | 18,080 | 19,280 | 20,240 | 24,100 | 26,030 |
| 10% | 40.50 | 1,086 | 1,086 | 1,144 | 1,144 | 1,201 | 1,429 | 1,544 | 13,410 | 17,880 | 17,650 | 18,820 | 19,770 | 23,530 | 25,410 |
| | 45.50 | 1,236 | 1,236 | 1,301 | 1,301 | 1,366 | 1,626 | 1,756 | 13,580 | 18,100 | 17,870 | 19,060 | 20,010 | 23,820 | 25,730 |
| | 51.00 | 1,383 | 1,383 | 1,456 | 1,456 | 1,529 | 1,820 | 1,966 | 13,560 | 18,080 | 17,850 | 19,030 | 19,990 | 23,790 | 25,700 |
| | 55.50 | 1,515 | 1,515 | 1,595 | 1,595 | 1,674 | 1,993 | 2,153 | 13,650 | 18,200 | 17,960 | 19,160 | 20,110 | 23,950 | 25,860 |
| | 60.70 | 1,660 | 1,660 | 1,747 | 1,747 | 1,835 | 2,184 | 2,359 | 13,670 | 18,230 | 17,990 | 19,190 | 20,150 | 23,990 | 25,910 |
| | 65.70 | 1,803 | 1,803 | 1,898 | 1,898 | 1,993 | 2,373 | 2,563 | 13,720 | 18,300 | 18,060 | 19,260 | 20,220 | 24,080 | 26,000 |
| 11% | 47.00 | 1,273 | 1,273 | 1,340 | 1,340 | 1,407 | 1,675 | 1,809 | 13,540 | 18,060 | 17,820 | 19,010 | 19,960 | 23,760 | 25,600 |
| | 54.00 | 1,469 | 1,469 | 1,546 | 1,546 | 1,624 | 1,933 | 2,088 | 13,600 | 18,140 | 17,900 | 19,090 | 20,050 | 23,860 | 25,770 |
| | 60.00 | 1,643 | 1,643 | 1,730 | 1,730 | 1,816 | 2,162 | 2,335 | 13,700 | 18,260 | 18,020 | 19,220 | 20,180 | 24,030 | 25,950 |
| | 65.00 | 1,788 | 1,788 | 1,882 | 1,882 | 1,976 | 2,352 | 2,540 | 13,750 | 18,340 | 18,100 | 19,300 | 20,270 | 24,120 | 26,050 |
| | 66.70 | 1,829 | 1,829 | 1,925 | 1,925 | 2,021 | 2,406 | 2,599 | 13,710 | 18,280 | 18,040 | 19,240 | 20,200 | 24,050 | 25,980 |
| | 71.00 | 1,940 | 1,940 | 2,042 | 2,042 | 2,144 | 2,553 | 2,757 | 13,660 | 18,220 | 17,980 | 19,170 | 20,130 | 23,970 | 25,890 |
| | 73.60 | 2,025 | 2,025 | 2,132 | 2,132 | 2,238 | 2,664 | 2,878 | 13,780 | 18,340 | 18,100 | 19,310 | 20,270 | 24,130 | 26,070 |
| | 80.50 | 2,208 | 2,208 | 2,324 | 2,324 | 2,441 | 2,905 | 3,138 | 13,710 | 18,290 | 18,040 | 19,250 | 20,220 | 24,060 | 25,990 |
| | 87.20 | 2,208 | 2,208 | 2,324 | 2,324 | 2,441 | 2,905 | 3,138 | 12,660 | 16,880 | 16,660 | 17,770 | 18,660 | 22,210 | 23,990 |
| | 11% | 71.80 | 1,962 | 1,962 | 2,065 | 2,065 | 2,168 | 2,581 | 2,787 | 13,660 | 18,210 | 17,970 | 19,170 | 20,130 | 23,970 |
| 13% | 54.50 | 1,474 | 1,474 | 1,551 | 1,551 | 1,629 | 1,939 | 2,094 | 13,520 | 18,030 | 17,790 | 18,980 | 19,930 | 23,720 | 25,620 |
| | 61.00 | 1,661 | 1,661 | 1,749 | 1,749 | 1,836 | 2,186 | 2,361 | 13,620 | 18,160 | 17,920 | 19,110 | 20,070 | 23,850 | 25,800 |
| | 68.00 | 1,847 | 1,847 | 1,945 | 1,945 | 2,042 | 2,431 | 2,625 | 13,580 | 18,110 | 17,870 | 19,060 | 20,020 | 23,830 | 25,740 |
| | 72.00 | 1,973 | 1,973 | 2,077 | 2,077 | 2,181 | 2,596 | 2,804 | 13,700 | 18,270 | 18,030 | 19,230 | 20,190 | 24,040 | 25,960 |
| | 77.00 | 2,105 | 2,105 | 2,216 | 2,216 | 2,327 | 2,770 | 2,992 | 13,670 | 18,230 | 17,990 | 19,190 | 20,150 | 23,980 | 25,900 |
| | 85.00 | 2,317 | 2,317 | 2,439 | 2,439 | 2,561 | 3,048 | 3,292 | 13,630 | 18,170 | 17,930 | 19,130 | 20,080 | 23,910 | 25,820 |
| 13% | 88.20 | 2,425 | 2,425 | 2,553 | 2,553 | 2,680 | 3,191 | 3,446 | 13,750 | 18,330 | 18,090 | 19,290 | 20,260 | 24,120 | 26,050 |

Note: Tensile strengths calculated on ultimate—K-55=95,000 PSI, L-80=95,000 PSI, N-80=100,000 PSI, C-90=100,000 PSI, C-95=105,000 PSI, P-110=125,000 PSI, Q-125=135,000 PSI.



ARRIVE
PREPARED

[Request a demonstration](#) 1-888-928-9422 [Subscription benefits](#) [Log in](#)

Articles

[Company profiles](#)

[Industry reports](#)

[Business articles](#)

[Research Center](#)

[Business information](#) > [Business articles](#) > [Industry news](#)



Atlas Bradford TC-II. (2002 Tubing Reference Tables).(Brief Article)(Statistical Data Included)

Article from: [World Oil](#) | January 1, 2002 | [Copyright](#)

ATLAS BRADFORD TC-II is the latest generation premium threaded and coupled tubing and casing connection. Developed to replace the TC-4S, it features modified buttress tapered run-out thread, metal-to-metal internal radial flank seal, optional resilient Teflon seal ring as backup to primary metal-to-metal seal, 15[degrees] reverse internal torque shoulder, smooth ID bore and minimized coupling OD. Performance exceeds pipe body ratings in internal pressure, external pressure, tension and compression.

Atlas Bradford TC-II

Type: Coupled

Seal: Metal-to-metal, threaded, optional resilient

D W d t [D.sub.c] [D.sub.sc] [A.sub.t] [A.sub.c] ...

[Read all of this article - and millions more - with a FREE, 7-day trial!](#)

Ads by Google

[Stainless Steel Pipes](#)

www.alibaba.com

Search Largest China Supplier Base, Verified Global Exporters-Join Free

[NOV Video Resources](#)

www.nov.com/intelliserv

The IntelliServ Broadband Network for Downhole and Subsurface Data

[World Fasteners](#)

www.worldfasteners.com

Over 1 billion fasteners in stock Commercial, Military,MS-NAS-AN-Dlar

[Cleartrip™ Official Site](#)

www.cleartrip.com

Cheapest Flights. Quickest Search Simplest Booking Process. Book Now!

[Stainless steel fasteners](#)

www.lederer-online.com

from one of Europe's most specialised suppliers for screws & nuts.

[PVE Piling & Drilling Rig](#)

www.pvepiling.com

specialized piling & drilling rigs & hydraulic impact hammers

[Drill Force Motors](#)

National Oilwell Varco Drilling Motors

NOV.com/Power/Drill-Force

[Carbon Steel Endcap](#)

We Manufacture & Supply All Type of Quality Pipe Fitting @ Best Price !

dktmetal.com/Contact-Us-New

[Hardbanding](#)

Hardbanding is the process of hardfacing drill pipe tool joints

www.hardbandingsolutions.com

[Steel Fasteners](#)

We Manufacture & Supply All Type of High Quality Fasteners @ Best Price

dktmetal.com/Contact-Us-New

[Aerospace Compressors](#)

Compact air compressors to fit military and commercial needs!

dixieindustries.com

[NOV Video Resources](#)

The IntelliServ Broadband Network for Downhole and Subsurface Data

www.nov.com/intelliserv

Production process for Seamless Tube Manufacturing

A] Hot Finished Tubes:

Hot finished tubes are produced either through the Assel Mill process or through a PQF Mill. Round steel billets of specific lengths are first heated in a Rotary Hearth Furnace. After heating, these billets are descaled, end-faced centered and passed through a cross-roll Piercing Mill to produce rough hollow blooms.

The hollow blooms are then rolled over a mandrel either through a three roll Assel Mill or through a PQF Mill to produce hot finished tubes. These tubes are either delivered as-is or further cold processed.

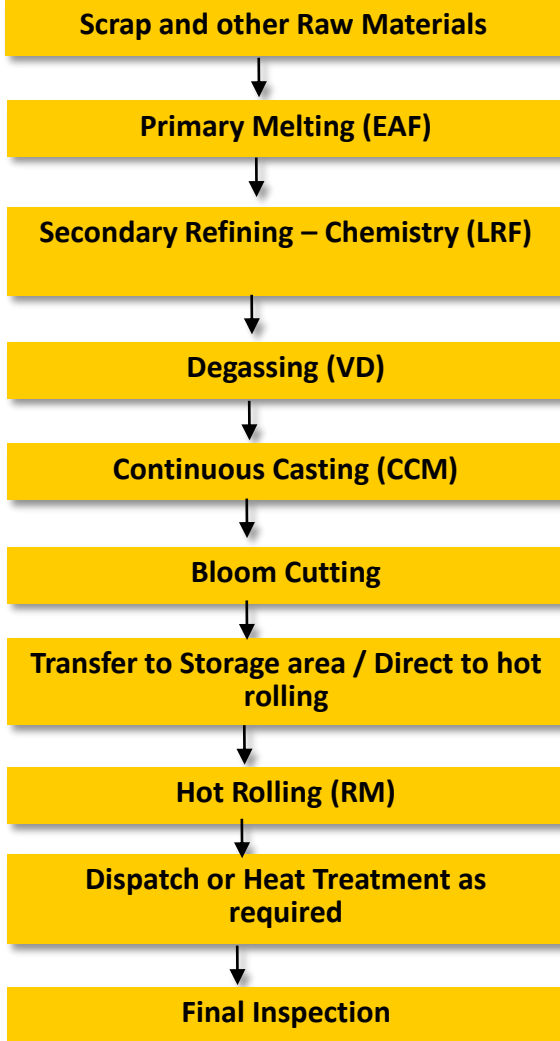
B] Cold Drawn Tubes:

In the Cold Drawing process, hot finished tubes are surface treated and then drawn through the gap between a reducing die and a central plug (or a mandrel) thereby reducing both the inside and outside diameters and polishing both internal and external surfaces of the tubes to achieve close final tolerances.

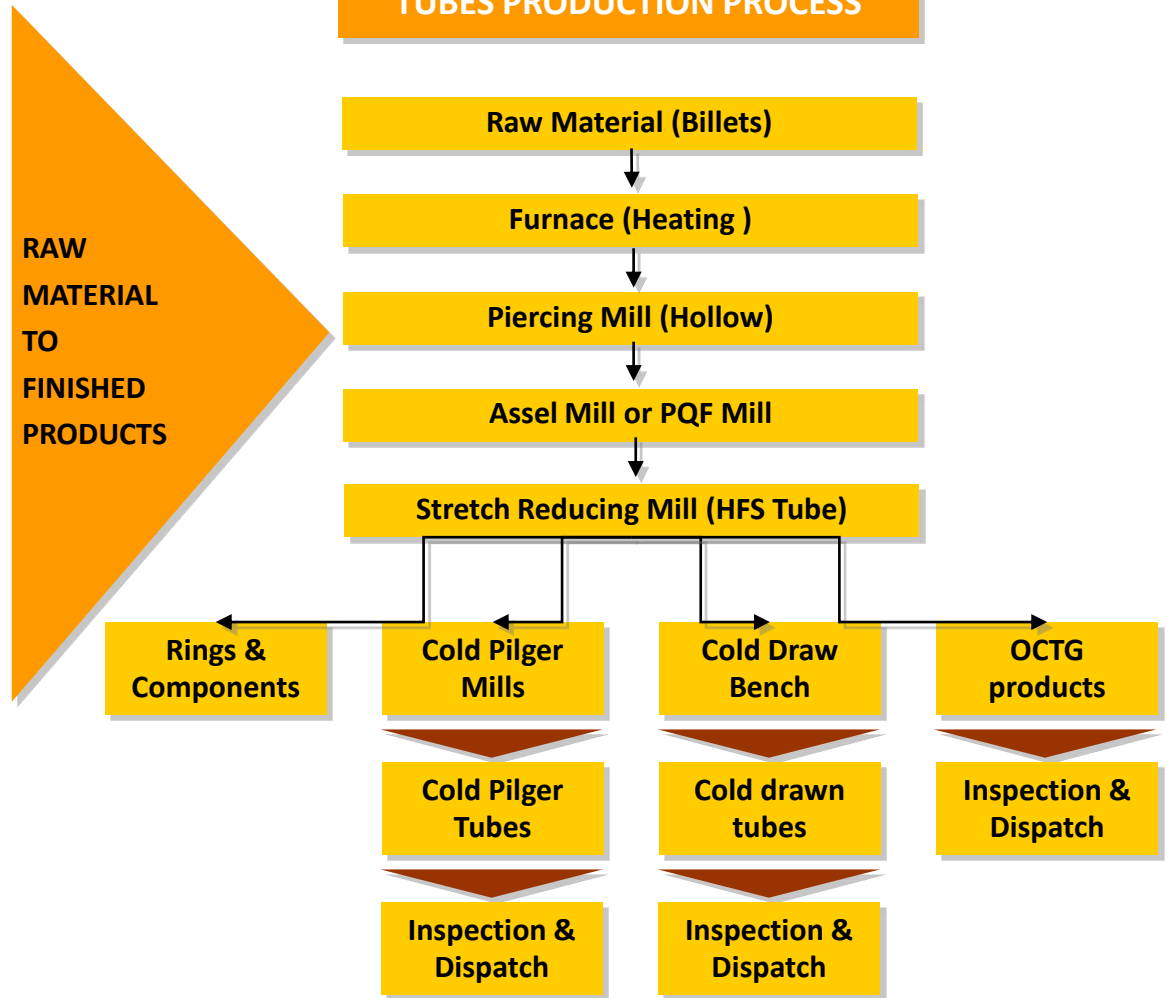
C] Cold Pilgered Tubes:

In the Cold Pilgering process, hot finished tube is reduced by rolling and elongating the tube stepwise over a stationery tapered mandrel. Two rolls, each with tapering semi-circular groove running along the circumference embrace the tube from above and below and rock back and forth over the tube (the pass length) while a stationery tapering mandrel is held in the centre of the tube. At the beginning of the stroke (pass), the circular section formed between the grooves of the two opposing rolls corresponds to the diameter of the ingoing tube and to the thickest section of the mandrel. As the rolls move forward over the tube, the circular section reduces in area until, at the end of the pass length the circular section corresponds to the finished inner diameter of the tube. The tube elongation is achieved by reduction of the outer diameter as well as the wall thickness of the ingoing tubes. The Cold Pilgered tube is characterized by very small dimensional variations and very high surface quality.

STEEL PRODUCTION PROCESS



TUBES PRODUCTION PROCESS



RAW
MATERIAL
TO
FINISHED
PRODUCTS

| Country | 2009-10 | | | | 2010-11 | | | | 2011-12 | | | | Apr-Jun 2012 | | | |
|----------------|---------------|-----------------|----------------|--------|---------------|-----------------|----------------|--------|---------------|-----------------|----------------|--------|---------------|----------------|----------------|--------|
| | Quantity (MT) | Value (Rs) | Price (Rs./MT) | Share% | Quantity (MT) | Value (Rs) | Price (Rs./MT) | Share% | Quantity (MT) | Value (Rs) | Price (Rs./MT) | Share% | Quantity (MT) | Value (Rs) | Price (Rs./MT) | Share% |
| ANGOLA | - | - | - | 0.00 | - | - | - | - | 308 | 75,75,749 | 24,596.59 | 0.07 | - | - | - | - |
| ARGENTINA | 2,503 | 14,20,59,293 | 56,760 | 0.76 | 710 | 4,09,69,427 | 57,677.97 | 0.20 | 60 | 58,67,691 | 98,269.82 | 0.01 | 93 | 1,09,27,370 | 1,17,498.60 | 0.08 |
| AUSTRALIA | 277 | 99,76,050 | 36,078 | 0.08 | 53 | 11,74,115 | 22,153.11 | 0.01 | 6 | 1,28,828 | 21,471.33 | 0.00 | - | - | - | - |
| AUSTRIA | 15 | 15,61,495 | 1,02,058 | 0.00 | 8 | 10,59,413 | 1,37,932.72 | 0.00 | 13 | 12,80,431 | 98,252.84 | 0.00 | 15 | 21,87,434 | 1,42,018.20 | 0.01 |
| BAHARAIN IS | - | - | - | 0.00 | 74 | 16,97,458 | 22,938.62 | 0.02 | 160 | 54,06,056 | 33,787.85 | 0.04 | 277 | 1,07,86,410 | 38,940.11 | 0.25 |
| BELARIUS | - | - | - | 0.00 | 231 | 52,93,715 | 22,916.52 | 0.07 | 440 | 1,42,58,981 | 32,406.78 | 0.10 | 124 | 40,59,406 | 32,737.15 | 0.11 |
| BELGIUM | 7,510 | 72,11,10,637 | 96,015 | 2.28 | 6,125 | 21,77,63,494 | 35,550.91 | 1.73 | 6,961 | 41,14,87,792 | 59,112.63 | 1.63 | 1,436 | 4,96,34,619 | 34,562.76 | 1.30 |
| BRAZIL | 296 | 62,61,311 | 21,146 | 0.09 | 12 | 9,86,967 | 83,754.84 | 0.00 | 16 | 40,16,924 | 2,44,680.76 | 0.00 | - | - | - | - |
| BULGARIA | - | - | - | 0.00 | - | - | - | - | 114 | 97,23,919 | 85,631.80 | 0.03 | - | - | - | - |
| CANADA | 330 | 64,75,818 | 19,634 | 0.10 | 681 | 1,64,80,085 | 24,194.32 | 0.19 | 99 | 66,82,516 | 67,684.76 | 0.02 | 5 | 1,07,14,167 | 22,03,654.26 | 0.00 |
| CHILE | - | - | - | 0.00 | 174 | 74,52,101 | 42,828.17 | 0.05 | - | - | - | - | 88 | 3,87,78,864 | 4,42,277.93 | 0.08 |
| CHINA P RP | 2,11,828 | 10,57,33,19,406 | 49,915 | 64.27 | 2,52,251 | 11,61,81,00,631 | 46,057.75 | 71.09 | 3,11,756 | 17,77,76,02,034 | 57,024.02 | 73.13 | 57,840 | 3,43,75,81,608 | 59,432.89 | 52.36 |
| CONGO P REP | 165 | 38,72,124 | 23,467 | 0.05 | 532 | 1,16,95,217 | 21,983.49 | 0.15 | 578 | 1,41,00,171 | 24,394.76 | 0.14 | 31 | 9,05,409 | 29,206.74 | 0.03 |
| COSTA RICA | - | - | - | 0.00 | - | - | - | - | 31 | 7,81,777 | 25,218.61 | 0.01 | - | - | - | - |
| CROATIA | 197 | 89,14,041 | 45,305 | 0.06 | - | - | - | - | 151 | 44,01,460 | 29,148.74 | 0.04 | - | - | - | - |
| CZECH REPUBLIC | 129 | 1,31,23,738 | 1,01,757 | 0.04 | 1,441 | 5,23,98,403 | 36,362.53 | 0.41 | 2,794 | 9,73,93,580 | 34,857.46 | 0.66 | 1,126 | 4,07,30,607 | 36,156.99 | 1.02 |
| DENMARK | - | - | - | 0.00 | - | - | - | - | 75 | 75,24,141 | 1,00,699.58 | 0.02 | - | - | - | - |
| DJIBOUTI | - | - | - | 0.00 | - | - | - | - | 50 | 14,15,515 | 28,310.30 | 0.01 | - | - | - | - |
| ECUADOR | - | - | - | 0.00 | 96 | 28,38,972 | 29,572.63 | 0.03 | 191 | 1,08,25,413 | 56,677.55 | 0.04 | - | - | - | - |
| EGYPT A RP | - | - | - | 0.00 | - | - | - | - | - | - | - | - | 4,866 | 13,77,95,747 | 28,316.51 | 4.41 |
| FINLAND | - | - | - | 0.00 | - | - | - | - | 9 | 19,23,983 | 2,10,828.55 | 0.00 | - | - | - | - |
| FRANCE | 3,561 | 73,12,39,100 | 2,05,372 | 1.08 | 5,177 | 43,68,69,870 | 84,385.70 | 1.46 | 3,010 | 25,71,99,711 | 85,448.07 | 0.71 | 1,666 | 13,24,91,471 | 79,519.23 | 1.51 |
| GABON | - | - | - | 0.00 | - | - | - | - | - | - | - | - | 11 | 3,55,722 | 32,338.36 | 0.01 |
| GERMANY | 9,385 | 51,56,70,585 | 54,947 | 2.85 | 9,179 | 55,08,41,449 | 60,014.02 | 2.59 | 11,124 | 59,90,78,606 | 53,854.64 | 2.61 | 10,843 | 64,00,70,233 | 59,033.17 | 9.82 |
| GHANA | - | - | - | 0.00 | - | - | - | - | 318 | 1,86,72,082 | 58,670.48 | 0.07 | - | - | - | - |
| GREECE | 1 | 1,41,969 | 1,41,969 | 0.00 | 4 | 3,68,728 | 1,01,021.37 | 0.00 | - | - | - | - | - | - | - | - |
| HONG KONG | - | - | - | 0.00 | 224 | 1,03,95,561 | 46,436.74 | 0.06 | 374 | 1,70,07,696 | 45,522.27 | 0.09 | 141 | 75,85,086 | 53,984.21 | 0.13 |
| HUNGARY | - | - | - | 0.00 | - | - | - | - | - | - | - | - | 2 | 1,45,820 | 91,023.72 | 0.00 |
| INDONESIA | 31 | 97,37,029 | 3,14,680 | 0.01 | 4 | 10,53,671 | 2,66,752.15 | 0.00 | 877 | 7,44,34,680 | 84,828.96 | 0.21 | 2,252 | 16,85,95,950 | 74,853.23 | 2.04 |
| IRAN | - | - | - | 0.00 | - | - | - | - | 30 | 23,25,303 | 77,883.94 | 0.01 | - | - | - | - |
| IRELAND | - | - | - | 0.00 | - | - | - | - | - | - | - | - | 0 | 1,63,195 | 3,77,766.20 | 0.00 |
| ISRAEL | 0 | 15,475 | 1,19,038 | 0.00 | - | - | - | - | - | - | - | - | 4 | 10,27,475 | 2,56,932.98 | 0.00 |
| ITALY | 7,226 | 37,63,11,233 | 52,076 | 2.19 | 15,486 | 86,33,12,599 | 55,746.79 | 4.36 | 10,101 | 71,88,31,084 | 71,161.62 | 2.37 | 4,178 | 33,40,05,741 | 79,944.82 | 3.78 |
| JAPAN | 7,165 | 51,47,99,833 | 71,850 | 2.17 | 10,629 | 89,78,06,527 | 84,468.18 | 3.00 | 5,433 | 49,22,46,127 | 90,604.05 | 1.27 | 1,318 | 17,43,67,898 | 1,32,289.04 | 1.19 |
| JORDAN | - | - | - | 0.00 | - | - | - | - | 47 | 21,52,382 | 45,795.36 | 0.01 | - | - | - | - |
| KENYA | - | - | - | 0.00 | - | - | - | - | 30 | 34,30,594 | 1,13,213.45 | 0.01 | - | - | - | - |
| KOREA RP | 945 | 3,32,90,942 | 35,237 | 0.09 | 331 | 2,53,79,338 | 76,687.52 | 0.09 | 5,857 | 43,03,77,031 | 73,477.95 | 1.37 | 535 | 5,38,42,242 | 1,00,715.29 | 0.48 |
| KUWAIT | 3,106 | 5,85,70,293 | 18,856 | 0.94 | 928 | 2,02,41,902 | 21,805.02 | 0.26 | 372 | 97,99,509 | 26,342.06 | 0.09 | 1,069 | 3,45,40,443 | 32,304.94 | 0.97 |
| LUXEMBOURG | - | - | - | 0.00 | - | - | - | - | 124 | 53,95,556 | 43,680.22 | 0.03 | - | - | - | - |
| MALAYSIA | 535 | 1,27,93,010 | 23,898 | 0.16 | 860 | 2,63,33,131 | 30,622.02 | 0.24 | 2,007 | 15,59,43,364 | 77,681.62 | 0.47 | 131 | 70,50,349 | 53,768.94 | 0.12 |
| MEXICO | 13 | 26,48,397 | 2,01,322 | 0.00 | - | - | - | - | 19 | 5,33,400 | 28,073.68 | 0.00 | - | - | - | - |
| MOROCCO | 25 | 9,66,474 | 38,659 | 0.01 | - | - | - | - | - | - | - | - | - | - | - | - |
| MOZAMBIQUE | - | - | - | 0.00 | - | - | - | - | 101 | 32,48,286 | 32,161.25 | 0.02 | - | - | - | - |
| MYANMAR | - | - | - | 0.00 | - | - | - | - | 5 | 8,07,590 | 1,47,617.75 | 0.00 | - | - | - | - |
| NEPAL | 59 | 16,03,135 | 27,172 | 0.02 | 15 | 4,88,598 | 32,573.20 | 0.00 | - | - | - | - | - | - | - | - |
| NETHERLAND | 295 | 92,56,862 | 31,408 | 0.09 | 135 | 1,05,92,539 | 78,450.16 | 0.04 | 648 | 3,04,64,563 | 47,039.45 | 0.15 | 1,075 | 3,30,64,621 | 30,751.90 | 0.97 |
| NEW ZEALAND | - | - | - | 0.00 | 186 | 64,19,651 | 34,477.18 | 0.05 | 25 | 9,94,888 | 39,795.52 | 0.01 | - | - | - | - |
| NORWAY | 541 | 90,72,978 | 16,770 | 0.16 | - | - | - | - | - | - | - | - | - | - | - | - |
| OMAN | 1,081 | 1,98,71,968 | 18,375 | 0.33 | 1,162 | 2,75,70,790 | 23,735.59 | 0.33 | 5,768 | 15,05,49,585 | 26,098.80 | 1.35 | 39 | 11,96,154 | 30,670.62 | 0.04 |
| PAKISTAN IR | - | - | - | 0.00 | - | - | - | - | - | - | - | - | 125 | 87,21,675 | 69,773.40 | 0.11 |
| POLAND | 1 | 33,176 | 47,394 | 0.00 | - | - | - | - | 96 | 28,02,123 | 29,131.73 | 0.02 | - | - | - | - |
| PORTUGAL | - | - | - | 0.00 | 18 | 10,67,655 | 57,750.71 | 0.01 | - | - | - | - | - | - | - | - |
| PUERTO RICO | - | - | - | 0.00 | - | - | - | - | 66 | 32,91,632 | 49,558.59 | 0.02 | - | - | - | - |
| QATAR | - | - | - | 0.00 | 1,033 | 2,95,99,563 | 28,650.99 | 0.29 | 1,567 | 4,16,98,537 | 26,610.43 | 0.37 | 364 | 1,06,70,248 | 29,288.12 | 0.33 |
| REUNION | - | - | - | 0.00 | 5 | 3,65,617 | 73,123.40 | 0.00 | - | - | - | - | - | - | - | - |
| ROMANIA | 4,137 | 24,61,59,675 | 59,500 | 1.26 | 3,849 | 26,87,39,696 | 69,826.57 | 1.08 | 3,914 | 27,35,53,803 | 69,899.74 | 0.92 | 123 | 2,61,45,002 | 2,12,691.13 | 0.11 |
| RUSSIA | 17,231 | 88,97,97,562 | 51,641 | 5.23 | 120 | 71,44,932 | 59,541.10 | 0.03 | 3,444 | 17,56,10,014 | 50,992.42 | 0.81 | - | - | - | - |
| SAUDI ARAB | 3,886 | 6,23,42,955 | 16,043 | 1.18 | 7,183 | 12,03,66,099 | 16,756.01 | 2.02 | 3,345 | 10,92,53,340 | 32,660.66 | 0.78 | 322 | 1,75,79,344 | 54,589.15 | 0.29 |
| SINGAPORE | 2,188 | 25,69,22,707 | 1,17,442 | 0.66 | 3,549 | 15,78,29,447 | 44,467.02 | 1.00 | 1,898 | 10,98,68,035 | 57,879.90 | 0.45 | 28 | 18,37,451 | 64,554.14 | 0.03 |
| SLOVENIA | - | - | - | 0.00 | - | - | - | - | 939 | 3,74,68,423 | 39,902.58 | 0.22 | 0 | 3,773 | 3,773,000.00 | 0.00 |
| SOUTH AFRICA | 54 | 11,16,819 | 20,682 | 0.02 | - | - | - | - | 769 | 1,85,95,900 | 24,189.82 | 0.18 | 78 | 27,55,222 | 35,323.36 | 0.07 |
| SPAIN | 3,428 | 46,26,82,042 | 1,34,972 | 1.04 | 9,253 | 74,92,29,736 | 80,975.61 | 2.61 | 3,869 | 42,46,26,710 | 1,09,751.54 | 0.91 | 1,120 | 10,13,13,785 | 90,434.76 | 1.01 |
| SRI LANKA DSR | - | - | - | 0.00 | - | - | - | - | 114 | 2,84,77,626 | 2,50,670.67 | 0.03 | - | - | - | - |
| SUDAN | - | - | - | 0.00 | - | - | - | - | 235 | 1,43,76,017 | 61,174.54 | 0.06 | - | - | - | - |
| SWAZILAND | - | - | - | 0.00 | - | - | - | - | 20 | 14,93,630 | 73,555.11 | 0.00 | - | - | - | - |
| SWEDEN | 3,311 | 6,97,85,165 | 21,078 | 1.00 | 2,998 | 10,01,86,527 | 33,413.12 | 0.85 | 1,780 | 6,40,14,662 | 35,957.38 | 0.42 | 299 | 1,41,57,831 | 47,379.65 | 0.27 |
| SWITZERLAND | 2,081 | 15,94,49,605 | 76,609 | 0.63 | 139 | 87,64,272 | 63,071.83 | 0.04 | 211 | 1,74,08,480 | 82,627.24 | 0.05 | - | - | - | - |
| TAIWAN | 480 | 2,54,63,978 | 53,064 | 0.15 | 48 | 34,60,584 | 71,643.13 | 0.01 | 1,543 | 2,94,10,669 | 19,059.17 | 0.36 | 59 | 34,67,927 | 58,389.49 | 0.05 |
| THAILAND | - | - | - | 0.00 | 333 | 1,25,18,796 | 37,638.88 | 0.09 | 3,875 | 12,86,89,777 | 33,206.20 | 0.91 | 253 | 2,41,22,741 | 95,332.23 | 0.23 |
| TRINIDAD | - | - | - | 0.00 | - | - | - | - | 24 | 17,79,319 | 73,815.35 | 0.01 | - | - | - | - |
| TURKEY | - | - | - | 0.00 | 4 | 11,81,205 | 2,95,893.04 | 0.00 | 333 | 1,66,71,263 | 50,023.71 | 0.08 | - | - | - | - |
| U ARAB EMTS | 10,240 | 26,10,65,754 | 25,496 | 3.11 | 9,367 | 28,73,98,795 | 30,682.96 | 2.64 | 7,359 | 23,00,55,783 | 31,262.36 | 1.73 | 3,123 | 17,97,64,098 | 57,570.50 | 2.83 |
| U K | 9,892 | 37,95,97,979 | 38,373 | 3.00 | 1,604 | 6,82,58,980 | 42,566.97 | 0.45 | 10,943 | 61,75,20,776 | 56,430.79 | 2.57 | 11,424 | 37,28,42,029 | 32,635.59 | 10.34 |
| U S A | 10,944 | 36,48,23,996 | 33,334 | 3.32 | 7,249 | 39,19,64,176 | 54,075.06 | 2.04 | 8,745 | 55,43,27,515 | 63,390.85 | 2.05 | 3,124 | 26,29,45,647 | 84,175.61 | 2.83 |
| UKRAINE | 1,524 | 3,95,05,930 | 25,918 | 0.46 | 1,203 | 3,70,21,444 | 30,774.82 | 0.34 | 622 | 1,7 | | | | | | |

Import Data from DGCIS [All Countries PUC]
Examples for Conversions

| DATA RECEIVED FROM DGCIS | | | | | | | | CONVERSION METHOD | CONVERSION FORMULA | | | | | |
|--------------------------|------------|--------------|---------|---------|-----|----------|---|--|--------------------|------|----------|----------|--------|----------|
| be_date | cntry_nm | val | qty | qty_org | uqc | itchs | item_desc | Formula for converiosn into Metris Tons (MT) | od | thk | mtrs. | MTS | Rs./MT | PUC/NPUC |
| 20100930 | CHINA P RP | 16,78,77,085 | 3370000 | 3370 | MTS | 73043911 | SEAMLESS CARBONSTEEL SEAMLESS HOLLOWES TO SPEC SA 210 & SA 192 | Unit is 'MTS' so quantity taken as per DGCIS | | | | 3,370.00 | 49,815 | PUC |
| 20110920 | RUSSIA | 16,53,89,874 | 33000 | 46847 | MTR | 73042390 | SEAMLESS STEEL CASING (9.5/8 X 47 PPF R3.BC) (USE IN OILWELL DRILLING OPERAT | Formula used is (1.488 x 47PPF x 46847MTRS)/1000 | | | | 3,276.29 | 50,481 | PUC |
| 20090626 | CHINA P RP | 10,91,51,968 | 96920 | 96920 | MTR | 73041990 | SEAMLESS PIPE 114.3 X 7.9MM X 46.3 LAYER P COATED (8081 PCS), EC NO.: ECIN20090 | Formula used is ((OD-THK) x THK X 0.02467 x MTRS.)/1000 (((114.30 x 7.90) x 7.90 x 0.02467 x 96920)/1000 | 114.30 | 7.90 | | 2,009.79 | 54,310 | PUC |
| 20110510 | CHINA P RP | 12,59,25,310 | 1566040 | 1597933 | KGS | 73042390 | SEAMLESS STEEL EUE TUBINGS (TUBING 2 7/8 OD 6.5 PPF, L-80 EUE) 17314 PCS | Unit is 'KGS' so DGCIS quantity is divided by 1000 | | | | 1,597.93 | 78,805 | PUC |
| 20091023 | CHINA P RP | 82,41,113 | 82400 | 8736 | NOS | 73043119 | SEAMLESS CARBON STEEL TUBE 28.575 OD X 2.77 WT X 12500 LG | Formula used is ((OD-THK) x THK X 0.02467 x MTRS.)/1000 ((28.58 x 2.77) x 2.77 x 0.02467 x 8736 PCS x 12.5 Mtrs per PC)/1000 | 28.58 | 2.77 | 1,09,200 | 192.56 | 42,797 | PUC |
| 20111104 | CHINA P RP | 1,16,73,862 | 53800 | 8550 | PCS | 73045910 | CARBON STEEL TUBES SA 179 (31.75MM OD X 2.11 MM (MIN)WT X 12400 LG) | Formula used is ((OD-THK) x THK X 0.02467 x MTRS.)/1000 (((31.75 x 2.11) x 2.11 x 0.02467 x 8550 PCS x 12.4 Mtrs per PC)/1000 | 31.75 | 2.11 | 1,06,020 | 163.58 | 71,367 | PUC |

Analysis of Import Data

Product under Consideration (PUC) –

“Tubes, Pipes and Hollow Profiles, Seamless of iron, alloy or non-alloy steel (other than cast iron and stainless steel) including Line pipe of a kind used for oil and gas pipelines and Casing, tubing and drill pipe, of a kind used in drilling for oil or gas, whether hot finished or cold drawn or cold rolled, of an external diameter not exceeding 273.1 mm (O.D) with the tolerances as specified under relevant standards, (hereinafter referred to as “the subject goods” / “product under consideration”) but excluding:

1. *Seamless alloy-steel pipes, tubes and hollow profiles of specifications of ASTM A213/ASME SA 213 and ASTM A335/ ASME SA 335 or equivalent BIS/DIN/BS/EN or any other equivalent specifications*
2. *Non-API and Patented Premium Joints / Premium Connections / Premium Threaded Tubes & Pipes of grades Q-125, 13CR, L-80, P110, C-90, C-95, T-90 & T-95 approved by ONGC (Annexure 2).*
3. *All 13 Chromium (13CR) Grade Tubes and Pipes not included in (2) above and*
4. *Drill Collars*

Import Data – The import data considered in the application is taken from DGCI&S (Directorate General of Commercial Intelligence & Statistics) located in Kolkata.

The data provided by DGCI&S consists of transaction-wise imports into India from all the countries under the relevant ITC-HS Chapter 7304, 7306 and 9801. This data was segregated between data which was identifiable to the Product under consideration. The data was firstly identified on the basis of parameters of ITC-HS Classification, Description and Outer diameter size.

The following descriptions were excluded from the import data and the remaining transactions were held to be PUC.

- (i) OD diameter sizes above 273.1mm
- (ii) Stainless Steel, ASTM A213/ASME SA 213 and ASTM A335/ ASME SA 335 (or equivalent BIS/DIN/BS/EN or any other equivalent specifications)
- (iii) Drill Collars, 13 Chromium Grade and Premium casings/tubing

There were certain transactions wherein the OD's sizes have not been mentioned but the items fall within the stated ITC HS.

- (1) All Entries where the O.D was not clearly mentioned and falling under ITC – HS Classification as under which is specifically for imports “Above 219.1 mm outer diameter” were excluded

| ITC-HS | Description |
|----------|----------------------------------|
| 73043130 | Above 219.1 mm diameter: |
| 73043131 | Above 219.1 mm diameter: Of iron |
| 73043139 | Above 219.1 mm diameter: Other |
| 73043931 | Above 219.1 mm diameter: Of iron |

| | |
|----------|--|
| 73043939 | Above 219.1 mm diameter: Other |
| 73045130 | Cold- drawn or cold rolled (cold reduced): Above 219.1 mm outer diameter |
| 73045930 | Other: Above 219.1 mm outer diameter |

(ii) Imports made under Nos, Mtr, Pcs, Bgs (except Kgs and MT) or the volumes could not be ascertained were excluded.

For those entries, where the O.D Size were provided in the Item Description, the following methodology was applied to ascertain the Volume in MT

$$((OD-THK)*THK*0.02467)*\text{quantity in meters} /1000 = \text{MT}$$

Note: Size in outer diameter (OD) & wall thickness (THK)

**Import Data from DGCIS [All Countries PUC]
Apr 2009 to Jun 2012**

| Year | Date | Country | ITC-HS | Item-Des | Quantity (MT) | Price (Rs./MT) | Value (Rs) | PUC/ NPUC |
|---------|----------|-------------|----------|---|---------------|----------------|--------------|--------------|
| 2009-10 | 20090428 | CHINA P RP | 73042990 | CASING PIPES 5-1/2 L-80 17PPF, BTC THREAD (ESSENTIAL CERTIFICATE NO.ECIN200901 | 1,175.00 | 88,593 | 10,40,97,464 | PUC |
| 2009-10 | 20090406 | CHINA P RP | 73042390 | PLAIN END SEAMLESS PIPES SIZE:5 OD [27630.87 METERS=738.028 METRIC TONS] | 989.46 | 74,100 | 7,33,19,438 | PUC |
| 2009-10 | 20090421 | CHINA P RP | 73043911 | SEAMLESS STEEL CYLINDER PIPE (JIS-G-3429-88 37MN) SIZE: 232MM X 5.4MM | 885.00 | 72,680 | 6,43,21,432 | PUC |
| 2009-10 | 20090406 | ROMANIA | 73042990 | SEAMLESS CASING PIPE-7 OD GRADE P110 | 545.13 | 1,58,386 | 8,63,41,432 | PUC |
| 2009-10 | 20090409 | CHINA P RP | 73042990 | HOT ROLLED CARBON MANGANESE (37MN) SEAMLESS STEEL TUBE OD 232 MM AND 5.4 MM (MI | 465.00 | 73,156 | 3,40,17,332 | PUC |
| 2009-10 | 20090416 | GERMANY | 73049000 | CARBON STEEL SECONDARY SEAMLESS PIPES | 353.00 | 21,429 | 75,64,512 | PUC |
| 2009-10 | 20090413 | CHINA P RP | 73049000 | HOT FINISHED SEAMLESS STEEL TUBE GRADE 37MN | 299.00 | 54,450 | 1,62,80,637 | PUC |
| 2009-10 | 20090421 | CHINA P RP | 73042390 | (OILFIELD CASING PIPES) 2 7/8 INCHES,TUBING PIPE, 6.5PPF, N-80, EUE, R2 | 275.39 | 1,03,248 | 2,84,32,940 | PUC |
| 2009-10 | 20090416 | BELGIUM | 73049000 | SECONDARY CARBON STEEL SEAMLESS PIPES | 254.00 | 28,214 | 71,66,286 | PUC |
| 2009-10 | 20090402 | CHINA P RP | 73042990 | TUBING 2-7/8 OD, 6.5P PF L-80, EUE | 248.97 | 68,680 | 1,70,99,032 | PUC |
| 2009-10 | 20090429 | CHINA P RP | 73069090 | SEAMLESS STEEL TUBE - OD37.40MM*ID24.20MM GRADE-SKF3S | 241.00 | 91,082 | 2,19,50,792 | PUC |
| 2009-10 | 20090421 | CHINA P RP | 73042390 | OILFIELD CASING PIPES 2 7/8 INCHES, TUBING PIPE, 6.5PPF, N-80, EUE, R2 | 230.04 | 1,03,248 | 2,37,51,538 | PUC |
| 2009-10 | 20090421 | CHINA P RP | 73042390 | OILFIELD CASING PIPES 2 7/8 INCHES, TUBING PIPE, 6.5PPF, N-80, EUE, R2 | 229.46 | 1,03,251 | 2,36,91,450 | PUC |
| 2009-10 | 20090416 | ITALY | 73049000 | HOT FINISHED SEAMLESS MECHANICAL TUBING | 215.00 | 31,026 | 66,70,604 | PUC |
| 2009-10 | 20090417 | CHINA P RP | 73043919 | SEAMLESS MOTHER TUBES(CARBON/NON ALLOY STEEL TUBES)(SPEC DIN 17175 ST35.8)(SIZE | 205.00 | 57,871 | 1,18,63,507 | PUC |
| 2009-10 | 20090421 | CHINA P RP | 73043911 | CARBON STEEL SEAMLESS PIPE (HOT FINISHED)(MOTHER HOLLOW) 26MM X 2.6 MM X 11000 | 203.00 | 45,802 | 92,97,848 | PUC |
| 2009-10 | 20090409 | CHINA P RP | 73042990 | 2-7/8 OD,6.5PPF, L-80 EUE TUBING | 201.82 | 68,680 | 1,38,61,284 | PUC |
| 2009-10 | 20090428 | CHINA P RP | 73044900 | SEAMLESS MEDIUM CARBON STEEL TUBES (CDS) PE (SA210GR.A1) (63.50 OD X 6.30 WT X | 199.47 | 21,687 | 43,25,894 | PUC |
| 2009-10 | 20090427 | CHINA P RP | 73043939 | CARBON STEEL SEAMLESS HOT FINISH MOTHER PIPES.GRADE:DIN17175 ST35.8 SIZE:33.4MM | 195.00 | 44,470 | 86,71,570 | PUC |
| 2009-10 | 20090413 | U ARAB EMTS | 73049000 | CARBON STEEL SEAMLESS PIPES SECONDARY DEFECTIVE | 185.04 | 22,046 | 40,79,426 | PUC |
| 2009-10 | 20090424 | CHINA P RP | 73042390 | DRILL PIPE 3-1/2 G105 13.3PPF (OIL WELL EQUIPMENT) (NET WT:22631.00 KGS) | 168.33 | 3,48,488 | 5,86,60,284 | PUC |
| 2009-10 | 20090417 | CHINA P RP | 73041110 | CARBON STEEL SEAMLESS TUBES SA 210 GR A1, 57X5.6X7292MM | 157.00 | 51,623 | 81,04,788 | PUC |
| 2009-10 | 20090429 | JAPAN | 73042990 | SEAMLESS STEEL TUBING 2-7/8 6.4 LBS,L80 13 CR FOX (ESSENTIAL CERTIFICATE NO.EC | 142.84 | 3,46,790 | 4,95,34,944 | PUC |
| 2009-10 | 20090427 | CHINA P RP | 73043911 | SEAMLESS STEEL TUBE(BALCO POWER PROJECT MATERIAL) | 133.97 | 77,684 | 1,04,07,494 | PUC |
| 2009-10 | 20090403 | CHINA P RP | 73045110 | BEARING QUALITY STEEL TUBE SAE-52100 SIZE 20.1 X 4.4MM | 132.00 | 54,447 | 71,87,004 | PUC |
| 2009-10 | 20090417 | U ARAB EMTS | 73049000 | CARBON STEEL SEAMLESS PIPES SECONDARY DEFECTIVE | 128.95 | 22,046 | 28,42,765 | PUC |
| 2009-10 | 20090421 | U ARAB EMTS | 73049000 | CARBON STEEL SEAMLESS PIPE (SECONDARY/DEFECTIVE) | 126.77 | 22,262 | 28,22,202 | PUC |
| 2009-10 | 20090413 | JAPAN | 73069090 | SECONDARY DEFECTIVE M.S.PIPES OF MIXED SIZES | 119.00 | 19,417 | 23,10,575 | PUC |
| 2009-10 | 20090420 | U S A | 73042390 | 3-1/2 DRILL PIPE G-105, NC-38 | 115.98 | 1,81,392 | 2,10,37,712 | PUC |
| 2009-10 | 20090403 | CHINA P RP | 73043119 | CARBON STEEL SEAMLESS TUBE - ASTM A179 - 48MM OD X 1.5MM THK X 13750MM LONG (55 | 108.70 | 63,833 | 69,38,658 | PUC |
| 2009-10 | 20090428 | CHINA P RP | 73049000 | SEAMLESS PIPE SIZE 25.4*2.5*9008 | 107.00 | 67,323 | 72,03,509 | PUC |
| 2009-10 | 20090416 | U ARAB EMTS | 73042390 | 3-1/2 OD IF RIGHT HAND DRILL PIPE OF 15.5 PPF PRIMUM CLASS | 105.94 | 1,72,753 | 1,83,00,570 | PUC |
| 2009-10 | 20090424 | BELGIUM | 73049000 | M.S.SEAMLESS PIPES SECONDARY SECOND CHOICE MIX | 105.24 | 20,077 | 21,12,767 | PUC |
| 2009-10 | 20090422 | BELGIUM | 73049000 | CARBON STEEL SEAMLESS PIPES SECONDARY DEFECTIVE | 104.00 | 20,916 | 21,75,240 | PUC |
| 2009-10 | 20090427 | CHINA P RP | 73043119 | CARBON STEEL SEAMLESS MOTHER PIPES(HOT FINISH) GRADE ASTM A106 GRADE B & SIZE O | 104.00 | 39,753 | 41,34,297 | PUC |
| 2009-10 | 20090403 | CHINA P RP | 73043119 | COLD DRAWN CARBON STEEL SEAMLESS TUBE - ASTM A179 - 48MM OD X 1.5MM THK X 13750 | 103.31 | 72,085 | 74,46,698 | PUC |
| 2009-10 | 20090421 | U ARAB EMTS | 73049000 | CARBON STEEL SEAMLESS PIPE SECONDARY/DEFECTIVE | 102.68 | 22,262 | 22,85,949 | PUC |
| 2009-10 | 20090420 | CHINA P RP | 73041190 | CARBON STEEL SEAMLESS MOTHER HOT FINISH PIPES AS PER DIN 17175 ST 35.8 (SIZE 65 | 102.00 | 36,466 | 37,19,549 | PUC |
| 2009-10 | 20090427 | U K | 73049000 | SECONDARY SECOND CHOICE CARBON STEEL SEAMLESS/WELDED PIPES | 101.00 | 18,101 | 18,28,243 | PUC |
| 2009-10 | 20090416 | U ARAB EMTS | 73049000 | CARBON STEEL PIPES (SECONDARY/DEFECTIVE) NON ALLOY SEAMLESS | 99.00 | 21,885 | 21,66,618 | PUC |
| 2009-10 | 20090415 | CHINA P RP | 73045920 | SEAM-LESS STEEL TUBES DIN1629 IN GRADE ST 52.3 (DIM: (MM) 134 X 4.5 X 6000) | 98.00 | 62,701 | 61,44,667 | PUC |

**Import Data from DGCIS [All Countries PUC]
Apr 2009 to Jun 2012**

| Year | Date | Country | ITC-HS | Item-Des | Quantity (MT) | Price (Rs./MT) | Value (Rs) | PUC/ NPUC |
|---------|----------|-------------|----------|---|---------------|----------------|-------------|--------------|
| 2009-10 | 20090411 | CHINA P RP | 73043119 | CARBON STEEL SEAMLESS TUBES CONFORMING TO SPECN SA 210 GRADE A1 (SIZE : 51.0 | 98.00 | 56,807 | 55,67,051 | PUC |
| 2009-10 | 20090417 | CHINA P RP | 73069090 | SEAMLESS STEEL TUBE-6203 OR CUT BLANKS SIZE: OD40.60 MM X ID 32.10 MM (TUBE MAD | 98.00 | 23,496 | 23,02,480 | PUC |
| 2009-10 | 20090413 | FRANCE | 73045110 | TUBES ASME SA 210 GR A1 SIZE IN MM - OD 19.050 X 2.770 (SEAMLESS TUBES OF ALLOY | 93.73 | 1,46,557 | 1,37,37,291 | PUC |
| 2009-10 | 20090403 | CHINA P RP | 73049000 | CABRON STEEL SEAMLESS HOT FINISH MOTHER PIPES SIZE:25MM X 2.3MM X 10 TO 12 MTR | 91.00 | 45,279 | 41,20,418 | PUC |
| 2009-10 | 20090404 | ITALY | 73042990 | OILFIELD EQUIPMENT: 10 PIPE SMLS BE ASME B36.10 ASTM A106 GR.B SCH 40 | 86.45 | 64,073 | 55,38,955 | PUC |
| 2009-10 | 20090420 | CHINA P RP | 73043119 | SEAMLESS CARBON STEEL TUBE ASME SA210 GR A1 44.5 OD X 6.35 WT X 11000 LG | 85.99 | 58,499 | 50,30,218 | PUC |
| 2009-10 | 20090409 | U ARAB EMTS | 73049000 | CARBON STEEL SEAMLESS PIPE SECONDARY DEFECTIVE | 81.00 | 21,797 | 17,65,548 | PUC |
| 2009-10 | 20090406 | KUWAIT | 73049000 | SECONDARY CARBON STEEL PIPES SEAMLESS | 81.00 | 15,396 | 12,47,085 | PUC |
| 2009-10 | 20090415 | CHINA P RP | 73049000 | SECONDARY CARBON STEEL SEAMLESS PIPES IN MIXED SIZES, IN MIXED LENGTHS | 81.00 | 23,399 | 18,95,313 | PUC |
| 2009-10 | 20090417 | U ARAB EMTS | 73049000 | CARBON STEEL PIPES (SECONDARY DEFECTIVE) NON ALLOY SEAMLESS | 79.00 | 21,993 | 17,37,443 | PUC |
| 2009-10 | 20090403 | CHINA P RP | 73069090 | SEAMLESS STEEL TUBE-6203 OR CUT BLANKS SIZE: OD40.60 MM X ID 32.10 MM (SAE 5 | 77.71 | 23,496 | 18,25,864 | PUC |
| 2009-10 | 20090424 | U ARAB EMTS | 73049000 | CARBON STEEL SEAMLESS PIPE (SECONDARY/DEFECTIVE) | 77.45 | 22,512 | 17,43,567 | PUC |
| 2009-10 | 20090408 | BRAZIL | 73049000 | CARBON STEEL SECONDARY SEAMLESS PIPES | 77.00 | 21,653 | 16,67,294 | PUC |
| 2009-10 | 20090423 | KUWAIT | 73049000 | SECONDARY CARBON STEEL SEAMLESS PIPES | 76.00 | 18,378 | 13,96,695 | PUC |
| 2009-10 | 20090420 | U K | 73049000 | SECONDARY SECOND CHOICE CARBON STEELSEAMLESS / WELDED PIPES MIXED LOT | 76.00 | 18,134 | 13,78,205 | PUC |
| 2009-10 | 20090406 | U ARAB EMTS | 73049000 | CARBON STEEL PIPE (SECONDARY DEFECTIVE) NON ALLOY.(SEAMLESS) | 75.83 | 22,276 | 16,89,198 | PUC |
| 2009-10 | 20090420 | SAUDI ARAB | 73049000 | SECONDARY CARBON STEEL SEAMLESS / WELDED PIPES, MIXED THICKNESS MIXED LOT. | 75.00 | 15,861 | 11,89,566 | PUC |
| 2009-10 | 20090413 | KUWAIT | 73049000 | SECONDARY CARBON STEEL PIPESSEAMLESS | 75.00 | 14,248 | 10,68,635 | PUC |
| 2009-10 | 20090429 | CHINA P RP | 73045110 | BEARING QUALITY STEEL TUBE SAE-52100 SIZE:76.3 X 8.7MM | 75.00 | 55,346 | 41,50,953 | PUC |
| 2009-10 | 20090406 | KUWAIT | 73049000 | SECONDARY CARBON STEEL PIPES SEAMLESS | 74.00 | 14,161 | 10,47,899 | PUC |
| 2009-10 | 20090429 | CHINA P RP | 73049000 | PRIME CARBON STEEL SEAMLESS PIPE TO ASTM A106/A53/APL 5L GR.B | 71.00 | 33,911 | 24,07,684 | PUC |
| 2009-10 | 20090416 | CHINA P RP | 73045110 | BEARING QUALITY STEEL TUBE SAE-52100 SIZE:33.20 X 25.04 MM | 65.43 | 50,827 | 33,25,843 | PUC |
| 2009-10 | 20090429 | BELGIUM | 73049000 | SEAMLESS/ WELDED SECONDARY CARBON STEEL PIPES | 65.00 | 18,322 | 11,90,898 | PUC |
| 2009-10 | 20090421 | CHINA P RP | 73043919 | SEAMLESS STEEL PIPE 530MMX10MM [API 5K GRB/ASTMA106B/ASTM A53B] | 65.00 | 53,591 | 34,83,385 | PUC |
| 2009-10 | 20090420 | CHINA P RP | 73049000 | PRIME CARBON STEEL SEAMLESS PIPES TO ASTM A106 GR B | 64.81 | 27,076 | 17,54,761 | PUC |
| 2009-10 | 20090421 | U S A | 73049000 | SECONDRY SECOND CHOICE CARBON STEEL SEAMLESS / WELDED PIPESMIX LOT | 62.29 | 18,101 | 11,27,501 | PUC |
| 2009-10 | 20090407 | SWEDEN | 73049000 | SECOND SEAMLESS TUBES | 62.00 | 25,633 | 15,89,227 | PUC |
| 2009-10 | 20090428 | CHINA P RP | 73049000 | PRIME CARBON STEEL SEAMLESS PIPES TO ASTM A 106 GRADE B48.3 5.08 5.8MM | 62.00 | 27,020 | 16,75,226 | PUC |
| 2009-10 | 20090407 | CHINA P RP | 73043119 | COLD DRAWN SEAMLESS CARBON STEEL TUBES ASME SA210 GR.A1 63.5 OD X 4.00 WT X 57 | 60.47 | 63,845 | 38,60,713 | PUC |
| 2009-10 | 20090427 | U S A | 73049000 | SECONDARY SECOND CHOICE CARBON STEELSEAMLESS /WELDED PIPES | 57.00 | 18,324 | 10,44,452 | PUC |
| 2009-10 | 20090421 | CHINA P RP | 73043911 | COLD DRAWN CARBON STEEL SEAMLESS TUBES(MOTHER HOLLOW) OD : 32 MM W.T : 3.5 MM, | 57.00 | 54,778 | 31,22,372 | PUC |
| 2009-10 | 20090413 | JAPAN | 73069090 | SECONDARY DEFECTIVE M.S.PIPES OF MIXED SIZES | 53.00 | 19,404 | 10,28,431 | PUC |
| 2009-10 | 20090422 | U K | 73049000 | SECONDARY SECOND CHOICE CARBON STEELSEAMLESS / WELDED PIPES | 52.33 | 18,450 | 9,65,517 | PUC |
| 2009-10 | 20090424 | CHINA P RP | 73043139 | HYDRAULIC CYLINDER TUBE SIZE : 220 X 200 CM | 52.12 | 32,340 | 16,85,515 | PUC |
| 2009-10 | 20090424 | CHINA P RP | 73043929 | SEAMLESS STEEL PIPES FOR CYLINDER (SIZE: 139MM X 4.5MM X 5480MM) 624 PCS | 52.00 | 65,020 | 33,81,022 | PUC |
| 2009-10 | 20090406 | U K | 73049000 | SECONDARY SURPLUS CARBON STEEL SEAMLESS PIPES | 51.94 | 21,989 | 11,42,091 | PUC |
| 2009-10 | 20090402 | U K | 73049000 | SECONDARY SURPLUSCARBON STEEL SEAMLESS PIPES | 51.94 | 21,858 | 11,35,313 | PUC |
| 2009-10 | 20090415 | JAPAN | 73049000 | BEARING QUALITY SEAMLESS COLD DRAWN STEEL TUBES SAE52100 58.45MM OD X 44.10MM I | 51.70 | 1,27,379 | 65,85,742 | PUC |
| 2009-10 | 20090420 | GERMANY | 73049000 | SECONDARY/DEFECTIVE CARBON STEEL SEAMLESS PIPE | 51.00 | 27,707 | 14,13,043 | PUC |
| 2009-10 | 20090422 | KUWAIT | 73049000 | SECONDARY CARBON STEEL PIPES SEAMLESS | 51.00 | 15,412 | 7,86,007 | PUC |
| 2009-10 | 20090427 | KUWAIT | 73049000 | SECONDARY CARBON STEEL PIPES SEAMLESS | 51.00 | 15,352 | 7,82,956 | PUC |

**Import Data from DGCIS [All Countries PUC]
Apr 2009 to Jun 2012**

| Year | Date | Country | ITC-HS | Item-Des | Quantity (MT) | Price (Rs./MT) | Value (Rs) | PUC/ NPUC |
|---------|----------|-------------|----------|---|---------------|----------------|------------|--------------|
| 2009-10 | 20090415 | U K | 73049000 | SECONDARY SURPLUS CARBON STEEL PIPES | 50.96 | 21,705 | 11,06,083 | PUC |
| 2009-10 | 20090424 | CHINA P RP | 73043919 | SEAMLESS STEEL PIPES FOR CYLINDER (SIZE: 108MM X 4.0MM X 5620MM) 880 PCS | 50.00 | 65,385 | 32,69,269 | PUC |
| 2009-10 | 20090415 | U K | 73049000 | SECONDARY SURPLUS CARBON STEEL SEAMLESS PIPES | 49.98 | 21,639 | 10,81,513 | PUC |
| 2009-10 | 20090403 | RUSSIA | 73049000 | SECONDARY CARBON STEEL SEAMLESS PIPES | 49.00 | 26,174 | 12,82,502 | PUC |
| 2009-10 | 20090403 | RUSSIA | 73049000 | SECONDARY CARBON STEEL SEAMLESS PIPES | 49.00 | 26,145 | 12,81,109 | PUC |
| 2009-10 | 20090403 | RUSSIA | 73049000 | SECONDARY CARBON STEEL SEAMLESS PIPES | 49.00 | 25,976 | 12,72,823 | PUC |
| 2009-10 | 20090416 | SWEDEN | 73049000 | SECONDARY/DEFECTIVE CARBON STEEL SEAMLESS PIPES | 49.00 | 24,665 | 12,08,585 | PUC |
| 2009-10 | 20090415 | U K | 73049000 | SECONDARY SURPLUS CARBON STEEL SEAMLESS PIPES | 49.00 | 21,752 | 10,65,839 | PUC |
| 2009-10 | 20090402 | U K | 73049000 | SECONDARY SECOND CHOICE CARBON STEEL SEAMLESS/WELDED PIPE | 49.00 | 18,418 | 9,02,501 | PUC |
| 2009-10 | 20090416 | GERMANY | 73049000 | CARBON STEEL SECONDARY SEAMLESS PIPES | 46.00 | 21,163 | 9,73,490 | PUC |
| 2009-10 | 20090421 | CHINA P RP | 73041190 | CARBON STEEL SEAMLESS MOTHER HOT FINISH PIPES ASTM A106 GR.B(SIZE 114MM OD X 6 | 45.00 | 42,609 | 19,17,427 | PUC |
| 2009-10 | 20090415 | ITALY | 73049000 | SECONDARY CARBON STEEL SEAMLESS PIPES | 44.00 | 21,643 | 9,52,311 | PUC |
| 2009-10 | 20090417 | CHINA P RP | 73041990 | SECONDARY DEFECTIVE SEAMLESS PIPE(MILD STEEL) | 44.00 | 21,870 | 9,62,271 | PUC |
| 2009-10 | 20090428 | GERMANY | 73049000 | OILWELL EQUIPMENT (OLD & USED) RE-EXPORT BASIS : 3.1/2 , 12.7 # OR HIGHER, PH6 | 43.00 | 29,784 | 12,80,724 | PUC |
| 2009-10 | 20090403 | MALAYSIA | 73049000 | MS PIPE. SIZE 8 X 20FT | 43.00 | 23,108 | 9,93,656 | PUC |
| 2009-10 | 20090421 | CHINA P RP | 73043919 | API 5L GR B ASTM A 106 B ASTM A 53B SEAMLESS STEEL PIPE 125MMX8MMX13000MM | 43.00 | 48,095 | 20,68,064 | PUC |
| 2009-10 | 20090430 | CHINA P RP | 73042990 | TUBING 2 3/8 (OD) AS PER API 5 CT,4.7 PPF J-55 WALL THICKNESS 0.19 THREAD CON | 41.11 | 1,69,783 | 69,80,390 | PUC |
| 2009-10 | 20090420 | BRAZIL | 73049000 | SECONDARY/DEFECTIVE CARBON STEEL SEAMLESS PIPE FITTING MIXED SIZE | 41.00 | 23,299 | 9,55,243 | PUC |
| 2009-10 | 20090416 | CHINA P RP | 73045110 | BEARING QUALITY STEEL TUBE SAE-52100 SIZE 101X7.25MM | 41.00 | 54,510 | 22,34,899 | PUC |
| 2009-10 | 20090406 | CHINA P RP | 73049000 | FRONT FORK INNER TUBE 30.25*3.15*564MM | 40.43 | 67,617 | 27,33,844 | PUC |
| 2009-10 | 20090413 | CHINA P RP | 73043119 | SURPLUS SEAMLESS CARBON STEEL PIPES AS PER ASTM A106 GRB SIZE 3 SCH40*5800MM | 40.00 | 35,796 | 14,31,825 | PUC |
| 2009-10 | 20090420 | CHINA P RP | 73049000 | FRONT FORK INNER TUBE 30.25* 3.15* 543 MM | 39.98 | 68,217 | 27,27,190 | PUC |
| 2009-10 | 20090420 | CHINA P RP | 73041110 | [CARBON STEEL] SEAMLESS STEEL TUBE API 5L/ASTM A106 GR.B 1-1/2 SCH 80(48.3*5.08 | 39.00 | 61,037 | 23,80,461 | PUC |
| 2009-10 | 20090428 | CHINA P RP | 73049000 | SEAMLESS CARBON STEEL PIPE (COLD DRAWN) PE (100 NB X SH80)(114.30 OD X 8.56 WT | 35.28 | 9,179 | 3,23,855 | PUC |
| 2009-10 | 20090409 | SPAIN | 73043911 | ALLOY STEEL TUBES (DIN 1.7335) SIZE: 48,3 X 8 MM | 29.92 | 1,65,516 | 49,52,478 | PUC |
| 2009-10 | 20090420 | CHINA P RP | 73065000 | STEEL PIPE B-36.10 ASTM A 106 GR.B,PE SEAMLESS IBR 1.0 XXS PI 21977Z 10619 Z | 27.24 | 66,604 | 18,14,024 | PUC |
| 2009-10 | 20090403 | MALAYSIA | 73049000 | MS PIPE. SIZE 8 X 20FT (FOR SAND AND WATER PUMP MACHINERY) | 27.00 | 40,265 | 10,87,168 | PUC |
| 2009-10 | 20090413 | U ARAB EMTS | 73049000 | SECONDARY/DEFECTIVE MS PIPE | 27.00 | 21,162 | 5,71,376 | PUC |
| 2009-10 | 20090428 | JAPAN | 73069090 | SECONDARY / DEFECTIVE M.S. PIPES | 26.00 | 23,744 | 6,17,352 | PUC |
| 2009-10 | 20090413 | U K | 73049000 | SECONDARY SURPLUS CARBON STEEL SEAMLESS PIPES | 26.00 | 21,621 | 5,62,149 | PUC |
| 2009-10 | 20090420 | SAUDI ARAB | 73049000 | SECONDARY CARBON STEEL SEAMLESS / WELDED PIPES, MIXED THICKNESS MIXED LOT. | 26.00 | 15,974 | 4,15,329 | PUC |
| 2009-10 | 20090415 | CHINA P RP | 73045110 | COLD DRAWN CARBON STEEL SEAMLESS TUBES 60.3X2.85X10400 | 26.00 | 48,169 | 12,52,399 | PUC |
| 2009-10 | 20090421 | ITALY | 73049000 | SECONDARY CARBON STEEL SEAMLESS PIPES | 25.00 | 21,762 | 5,44,055 | PUC |
| 2009-10 | 20090422 | AUSTRALIA | 73049000 | SECONDARY SECOND CHOICE CARBON STEEL SEAMLESS/WELDED PIPES | 25.00 | 18,413 | 4,60,319 | PUC |
| 2009-10 | 20090428 | KUWAIT | 73049000 | SECONDARY CARBON STEEL PIPES SEAMLESS | 25.00 | 16,212 | 4,05,299 | PUC |
| 2009-10 | 20090409 | CHINA P RP | 73042990 | SEAMLESS STEEL PIPE API 5L GRADE B (219.1MMX10.31MM) | 25.00 | 45,775 | 11,44,377 | PUC |
| 2009-10 | 20090422 | CHINA P RP | 73043119 | COLD DRAWN CARBON STEEL SEAMLESS TUBE ASTM A179 - 48MM X 1.5MM 13750MM | 23.67 | 72,085 | 17,06,534 | PUC |
| 2009-10 | 20090429 | ROMANIA | 98010019 | PIPES-B-36.10 ASTM A106 GR.B,PE SEAMLESS NACE-1.0 INCH (PROJ.IMPORT) | 23.44 | 51,908 | 12,16,520 | PUC |
| 2009-10 | 20090407 | CHINA P RP | 73043911 | GB8163-1999 16MN SEAMLESS MOTHER TUBES: 88.9MM * 9.5MM * 400 | 23.28 | 50,628 | 11,78,830 | PUC |
| 2009-10 | 20090408 | BRAZIL | 73049000 | CARBON STEEL SECONDARY SEAMLESS PIPES | 23.00 | 22,034 | 5,06,785 | PUC |
| 2009-10 | 20090409 | U K | 73049000 | SECONDARY SECOND CHOICE CARBON STEEL SEAMLESS/WELDED PIPES MIXED LOT | 22.00 | 18,096 | 3,98,109 | PUC |

**Import Data from DGCIS [All Countries PUC]
Apr 2009 to Jun 2012**

| Year | Date | Country | ITC-HS | Item-Des | Quantity (MT) | Price (Rs./MT) | Value (Rs) | PUC/ NPUC |
|---------|----------|------------|----------|---|---------------|----------------|------------|--------------|
| 2009-10 | 20090409 | CHINA P RP | 73045110 | BEARING QUALITY STEEL TUBE 30.5*3.0 | 21.59 | 66,127 | 14,27,808 | PUC |
| 2009-10 | 20090415 | CHINA P RP | 73045910 | COLD DRAWN PRECISION TUBE (90X108MM) | 21.10 | 39,604 | 8,35,719 | PUC |
| 2009-10 | 20090428 | CHINA P RP | 73049000 | PRIME CARBON STEEL SEAMLESS PIPES TO ASTM A 106 GRADE B | 21.00 | 27,668 | 5,81,023 | PUC |
| 2009-10 | 20090413 | CHINA P RP | 73043139 | HYDRAULIC CYLINDER TUBE SIZE : 95 X 80 MM | 20.38 | 76,091 | 15,50,951 | PUC |
| 2009-10 | 20090403 | CHINA P RP | 73069090 | SEAMLESS STEEL TUBE -6203 OR CUT BLANKS SIZE: OD40.60 MM X ID 32.10 MM (SAE | 20.29 | 23,496 | 4,76,615 | PUC |
| 2009-10 | 20090409 | CHINA P RP | 73049000 | SEAMLESS SPL STEEL TUBE SCM 415H 17.35MMX11.90MM | 20.28 | 1,18,462 | 24,02,297 | PUC |
| 2009-10 | 20090406 | CHINA P RP | 73043139 | 20 CDS HONED TUBE 137X125 H8X 4500 MM | 20.22 | 90,673 | 18,33,417 | PUC |
| 2009-10 | 20090417 | UKRAINE | 73043129 | SEAMLESS CARBON COLD DRAWN DIN 2391 (ST 52 BKS 120MM X 99.50MM) | 20.11 | 88,331 | 17,76,212 | PUC |
| 2009-10 | 20090421 | JAPAN | 73049000 | SEAMLESS CARBON STEEL PIPES | 20.00 | 41,360 | 8,27,206 | PUC |
| 2009-10 | 20090420 | GERMANY | 73043919 | SEAMLESS COLD-DRAWN SINGLE-WALL STEEL TUBES (O.D.6.00 X I.D.1.60MM) | 20.00 | 26,994 | 5,39,889 | PUC |
| 2009-10 | 20090421 | CHINA P RP | 73049000 | FRONT FORK INNER TUBE 30.25* 3.15* 543 MM | 19.99 | 68,217 | 13,63,595 | PUC |
| 2009-10 | 20090427 | JAPAN | 73041110 | C.R.ALLOY STEEL TUBE SIZE:OD 64.7MMXWT 8.35MM | 19.00 | 1,18,102 | 22,43,946 | PUC |
| 2009-10 | 20090428 | CHINA P RP | 73043119 | SEAMLESS STEEL PIPES ASTM A 106/API 5L GR.B 48.3*3.68*5800MM | 19.00 | 34,082 | 6,47,557 | PUC |
| 2009-10 | 20090415 | JAPAN | 73049000 | SEAMLESS ALLOY STEEL TUBES JIS G3441 SCM415TK 30.70MM OD X 24.90MM ID X 4M | 17.65 | 1,36,091 | 24,02,136 | PUC |
| 2009-10 | 20090428 | CHINA P RP | 73042990 | TUBING 2-7/8 OD 6.5PPF, N-80, EUE(ESENCIAL CERTIFICATE NO - ECIN200904170001 | 17.36 | 62,770 | 10,89,846 | PUC |
| 2009-10 | 20090416 | JAPAN | 73049000 | ALLOY STEEL SEAMLESS STEELTUBES O.D.51.55MM X W/TH.6.35 MM | 17.19 | 1,88,312 | 32,36,152 | PUC |
| 2009-10 | 20090409 | KOREA RP | 73043119 | SEAMLES PIPES | 16.00 | 2,13,296 | 34,12,729 | PUC |
| 2009-10 | 20090422 | CHINA P RP | 73041190 | Z15B0803 YOKE BODY | 16.00 | 59,430 | 9,50,884 | PUC |
| 2009-10 | 20090415 | CHINA P RP | 73045920 | COLD DRAWN PRECISION TUBE(160X190MM) | 15.28 | 34,573 | 5,28,377 | PUC |
| 2009-10 | 20090406 | NEPAL | 73041990 | MS BLACK PIPES | 15.00 | 28,911 | 4,33,662 | PUC |
| 2009-10 | 20090406 | NEPAL | 73041990 | MS BLACK PIPES | 15.00 | 27,120 | 4,06,803 | PUC |
| 2009-10 | 20090406 | NEPAL | 73041990 | MS BLACK PIPES | 15.00 | 26,465 | 3,96,970 | PUC |
| 2009-10 | 20090415 | CHINA P RP | 73049000 | CARBON STEEL SEAMLESS MOTHER PIPES[HOT FINISHED] [114.3MM(4.1/2) X 12.7MM | 14.05 | 59,927 | 8,41,979 | PUC |
| 2009-10 | 20090406 | NEPAL | 73041990 | MS BLACK PIPES | 14.00 | 26,121 | 3,65,700 | PUC |
| 2009-10 | 20090427 | CHINA P RP | 73043939 | CARBON STEEL SEAMLESS HOT FINISH MOTHER PIPES,GRADE:DIN17175 ST35.8 SIZE:33.4MM | 14.00 | 45,271 | 6,33,794 | PUC |
| 2009-10 | 20090427 | ITALY | 73043129 | SEAMLESS STEEL TUBES(OD210.00MM X ID164.00MM) | 13.69 | 1,07,656 | 14,73,552 | PUC |
| 2009-10 | 20090406 | CHINA P RP | 73049000 | PRIME CARBON STEEL SEAMLESS TUBES (SA210 GR.A-1) (76.2MM X 10MM X 5000-5800MM) | 13.00 | 55,407 | 7,20,291 | PUC |
| 2009-10 | 20090427 | ITALY | 73043139 | SEAMLESS STEEL TUBES(OD232.00MM X ID202.70MM) | 12.02 | 1,70,922 | 20,54,265 | PUC |
| 2009-10 | 20090421 | SPAIN | 73041110 | SEAMLESS STEEL TUBES, 193.70 X 32.00 X 6.00-8.50 M, SA-106 (11.220 M.TON) | 11.87 | 1,20,971 | 14,36,130 | PUC |
| 2009-10 | 20090403 | CHINA P RP | 73049000 | CABRON STEEL SEAMLESS HOT FINISH MOTHER PIPES SIZE:25MM X 2.3MM X 10 TO 12 MTR | 11.00 | 46,930 | 5,16,228 | PUC |
| 2009-10 | 20090408 | JAPAN | 73049000 | COLD DRAWN SEAMLESS TUBE ITEM NO. RGPP002 18.4(+/-0.05) X12.0(+/-0.1) MM GRADE | 10.92 | 2,56,399 | 27,99,618 | PUC |
| 2009-10 | 20090406 | CHINA P RP | 73043939 | CARBON SEAMLESS STEEL PIPE(18 X7.92MMX6000-8600MM NT.WT.10.808 MTS) | 10.81 | 68,228 | 7,37,406 | PUC |
| 2009-10 | 20090415 | JAPAN | 73049000 | SEAMLESS ALLOY STEEL TUBES JIS G3441 SCM415TK 32.80MM OD X 24.60MM ID X 4M | 10.35 | 1,38,677 | 14,35,585 | PUC |
| 2009-10 | 20090403 | GERMANY | 73043939 | STEEL TUBES STD. WALL SMLS DIN 1629 DIN 2448 EN 10216 P235TR2 ST 37.0 139,70X4 | 10.00 | 1,66,067 | 16,60,666 | PUC |
| 2009-10 | 20090408 | U S A | 73041990 | SMLS PIPE 2 S/40 X 18-20 R/L -SEAMLESS PIPE (CP TITANIUM GRADE 2) | 10.00 | 64,799 | 6,47,992 | PUC |
| 2009-10 | 20090406 | CHINA P RP | 73049000 | SEAMLESS STEEL TUBES GRADE 20 CR .21.2MMX11.0MM (OD X ID) | 10.00 | 79,108 | 7,91,083 | PUC |
| 2009-10 | 20090429 | CHINA P RP | 73041910 | SEAMLESS STEEL TUBES GRADE SAE52100/GCR15 (SIZE: 44.00 X 31.00 X 6.50 MM) | 10.00 | 56,956 | 5,69,555 | PUC |
| 2009-10 | 20090413 | CHINA P RP | 73069090 | PRIME CDS HOLLOW SEAMLESS TUBES SAE 1040 50.80X7.5 LENGTH-5400MM | 10.00 | 49,429 | 4,94,289 | PUC |
| 2009-10 | 20090413 | CHINA P RP | 73043919 | CARBON STEEL SEAMLESS PIPE OUTER DIAMETER 365.0 MM WALL THICKNESS 21.5 MM | 9.00 | 60,770 | 5,46,930 | PUC |
| 2009-10 | 20090413 | MALAYSIA | 73049000 | CARBON STEEL SECONDARY / DEFECTIVE SEAMLESS PIPES | 8.00 | 23,877 | 1,91,018 | PUC |
| 2009-10 | 20090413 | MALAYSIA | 73049000 | CARBON STEEL SECONDARY / DEFECTIVE SEAMLESS PIPES | 8.00 | 23,466 | 1,87,725 | PUC |

**Import Data from DGCIS [All Countries PUC]
Apr 2009 to Jun 2012**

| Year | Date | Country | ITC-HS | Item-Des | Quantity (MT) | Price (Rs./MT) | Value (Rs) | PUC/ NPUC |
|---------|----------|-------------|----------|---|---------------|----------------|--------------|--------------|
| 2009-10 | 20090429 | JAPAN | 73043129 | SEAMLESS STEEL TUBES (OD 216.3 MM X ID 150.00 MM) | 7.79 | 2,49,085 | 19,40,036 | PUC |
| 2009-10 | 20090413 | CHINA P RP | 73049000 | COLD DRAWN SEAMLESS SPL STEEL TUBE SCM 415H.15.35MMX10.50MM | 6.11 | 1,20,286 | 7,34,705 | PUC |
| 2009-10 | 20090413 | MALAYSIA | 73049000 | CARBON STEEL SECONDARY / DEFECTIVE SEAMLESS PIPES | 6.00 | 23,448 | 1,40,690 | PUC |
| 2009-10 | 20090417 | CHINA P RP | 73041110 | CARBON STEEL SEAMLESS TUBES SA192, 50.8X4.47X6200MM | 6.00 | 58,917 | 3,53,502 | PUC |
| 2009-10 | 20090428 | CHINA P RP | 73043119 | STEEL SEAMLESS PIPES SAF 1040 | 6.00 | 33,871 | 2,03,226 | PUC |
| 2009-10 | 20090401 | GERMANY | 73042390 | RVS PIPES-TWH-SPECIAL GRADE TWH-1.4462-10-40S 273*9.27MM, WLD PIPES HEAT NO 48 | 5.40 | 1,00,896 | 5,44,841 | PUC |
| 2009-10 | 20090421 | CHINA P RP | 73049000 | CARBON STEEL SEAMLESS MOTHER PIPES[HOT FINISHED][9.25 DIA X 25.4MM] | 5.31 | 66,127 | 3,50,868 | PUC |
| 2009-10 | 20090427 | UNSPECIFIED | 73049000 | MS PIPES/RETRIEVE PIPES(MT)3 1/2 TDS TUBING PIPE CASING(SIZE)LENGTH 30/32 FT. A | 5.00 | 13,865 | 69,323 | PUC |
| 2009-10 | 20090417 | CHINA P RP | 73041110 | CARBON STEEL SEAMLESS TUBES SA210GR.A1 50.8X4.06X6160MM | 5.00 | 70,410 | 3,52,051 | PUC |
| 2009-10 | 20090428 | CHINA P RP | 73043119 | SEAMLESS STEEL PIPES ASTM A 106/API 5L GR.B 60.3*3.91*5800MM | 5.00 | 36,199 | 1,80,996 | PUC |
| 2009-10 | 20090417 | JAPAN | 73049000 | COLD DRAWN SEAMLESS STEEL TUBE | 3.96 | 2,75,993 | 10,93,483 | PUC |
| 2009-10 | 20090414 | ITALY | 73041910 | PXA106000000C0002 SMLS STEEL PIPES HF ACC. TO : ASTM A106 B NACE MR01.75/ISO 1 | 3.00 | 1,75,145 | 5,25,434 | PUC |
| 2009-10 | 20090428 | JAPAN | 73042390 | DRIFTER ROD SIZE 3.7 MTR (MADE OF ALLOY STEEL) | 3.00 | 88,813 | 2,66,438 | PUC |
| 2009-10 | 20090415 | FRANCE | 73045920 | PIPES SA333 GR.6 6 SCH XXS (SIZE IN MM 168.30 X 22.00) (SEAMLESS CARBON STEEL | 2.35 | 1,20,048 | 2,81,993 | PUC |
| 2009-10 | 20090415 | FRANCE | 73045910 | PIPES SA333 GR.6 3 SCH XXS (SIZE IN MM 88.90 X 15.20) (SEAMLESS CARBON STEEL | 2.35 | 54,982 | 1,29,153 | PUC |
| 2009-10 | 20090413 | JAPAN | 73049000 | OD42.7MM X WT1.2MM 1.519 CARBON STEEL TUBES FOR MACHINE STRUCTURAL PURPOSES | 2.00 | 3,38,212 | 6,76,423 | PUC |
| 2009-10 | 20090420 | JAPAN | 73045110 | PIN STEEL TUBE - COLD DRAWN SEAMLESS TUBE-GRADE:SCM 415H | 1.87 | 2,99,658 | 5,58,862 | PUC |
| 2009-10 | 20090404 | NETHERLAND | 73049000 | HOLLOW SECTION (200 X 120 X 8) (ROCK DRILL PARTS) | 1.00 | 1,13,396 | 1,13,396 | PUC |
| 2009-10 | 20090413 | ITALY | 73041990 | SEAMLESS PIPES (33.4X3.38X4180MM) | 1.00 | 70,163 | 70,163 | PUC |
| 2009-10 | 20090420 | SAUDI ARAB | 73049000 | SECONDARY CARBON STEEL SEAMLESS / WELDED PIPES, MIXED THICKNESS MIXED LOT. | 1.00 | 15,673 | 15,673 | PUC |
| 2009-10 | 20090420 | SAUDI ARAB | 73049000 | SECONDARY CARBON STEEL SEAMLESS / WELDED PIPES, MIXED THICKNESS MIXED LOT. | 1.00 | 15,673 | 15,673 | PUC |
| 2009-10 | 20090427 | CHINA P RP | 73049000 | OILWELL EQUIPMENT: ELEVATOR CENTRE LATCH TUBING 3-1/2 EUE 100T MAKE OILMAN. | 1.00 | 1,21,424 | 1,21,424 | PUC |
| 2009-10 | 20090417 | CHINA P RP | 73041110 | CARBON STEEL SEAMLESS TUBES SA 210, GRAI 60.3X5.6X3150MM | 1.00 | 1,05,163 | 1,05,163 | PUC |
| 2009-10 | 20090413 | MALAYSIA | 73049000 | CARBON STEEL SECONDARY / DEFECTIVE SEAMLESS PIPES | 0.20 | 27,480 | 5,496 | PUC |
| 2009-10 | 20090413 | MALAYSIA | 73049000 | CARBON STEEL SECONDARY / DEFECTIVE SEAMLESS PIPES | 0.20 | 27,445 | 5,489 | PUC |
| 2009-10 | 20090413 | MALAYSIA | 73049000 | CARBON STEEL SECONDARY / DEFECTIVE SEAMLESS PIPES | 0.20 | 21,955 | 4,391 | PUC |
| 2009-10 | 20090420 | CHINA P RP | 73043119 | SEAMLESS CARBON STEEL TUBE ASME SA210 GR A1 44.5 OD X 4.0 WT X 11000 LG | 0.13 | 77,560 | 10,229 | PUC |
| 2009-10 | 20090408 | ITALY | 73042990 | DMV 25.22.2 ODXWT 26,00MM 3,00MM - COLD FINISHED SEAMLESS TUBE | 0.10 | 2,71,710 | 27,171 | PUC |
| 2009-10 | 20090420 | GERMANY | 73049000 | SECONDARY/DEFECTIVE CARBON STEEL SEAMLESS PIPE | 0.10 | 20,730 | 2,073 | PUC |
| 2009-10 | 20090420 | BRAZIL | 73049000 | SECONDARY/DEFECTIVE CARBON STEEL SEAMLESS PIPE FITTING MIXED SIZE | 0.10 | 18,620 | 1,862 | PUC |
| 2009-10 | 20090413 | U S A | 73049000 | COLD DRAWN SEAMLESS STEEL TUBE DIA 1/2 X .035 X 24 | 0.07 | 2,88,583 | 20,778 | PUC |
| 2009-10 | 20090427 | U S A | 73049000 | SECONDARY SECON CHOICE CARBON STEELSEAMLESS /WELDED PIPES | 0.06 | 18,417 | 1,105 | PUC |
| 2009-10 | 20090421 | JAPAN | 73049000 | SEAMLESS CARBON STEEL PIPES | 0.05 | 1,15,800 | 5,790 | PUC |
| 2009-10 | 20090429 | ROMANIA | 73049000 | PIPES-B-36.10 ASTM A106 GR.B.PE SEAMLESS NACE-1.0 INCH (PROJ.IMPORT) | 0.03 | 1,10,767 | 3,323 | PUC |
| 2009-10 | 20090427 | U K | 73049000 | SECONDARY SECON CHOICE CARBON STEEL SEAMLESS/WELDED PIPES | 0.02 | 18,100 | 362 | PUC |
| 2009-10 | 20090424 | BELGIUM | 73049000 | M.S.SEAMLESS PIPES SECONDARY SECON CHOICE MIX | 0.01 | 20,000 | 100 | PUC |
| 2009-10 | 20090422 | U K | 73049000 | SECONDARY SECON CHOICE CARBON STEELSEAMLESS/WELDED PIPES | 0.002 | 18,000 | 36 | PUC |
| 2009-10 | 20090421 | U S A | 73049000 | SECONDRY SECON CHOICE CARBON STEEL SEAMLESS / WELDED PIPESMIX LOT | 0.002 | 18,000 | 36 | PUC |
| 2009-10 | 20090512 | CHINA P RP | 73041990 | SEAMLESS PIPE 88.9 X 7.6 MM X 46.3 LAYER P COATED (7498 PCS), EC NO.: ECIN20090 | 1,371.22 | 58,025 | 7,95,65,736 | PUC |
| 2009-10 | 20090506 | RUSSIA | 73042990 | 9 5/8 CASING PIPE N-80,43.5 PPF BTC - ESSENTIAL CERTIFICATE NO.ECIN20090331003 | 982.77 | 1,08,696 | 10,68,22,560 | PUC |
| 2009-10 | 20090512 | CHINA P RP | 73041990 | SEAMLESS PIPE 114.3 X 7.9 MM X 46.3 LAYER P COATED (3840 PCS), EC NO.: ECIN2009 | 955.54 | 57,314 | 5,47,66,124 | PUC |

**Import Data from DGCIS [All Countries PUC]
Apr 2009 to Jun 2012**

| Year | Date | Country | ITC-HS | Item-Des | Quantity (MT) | Price (Rs./MT) | Value (Rs) | PUC/ NPUC |
|---------|----------|-------------|----------|---|---------------|----------------|-------------|--------------|
| 2009-10 | 20090512 | CHINA P RP | 73041990 | SEAMLESS PIPE 88.9 X 7.6 MM X 46.3 LAYER P COATED (4998 PCS), EC NO.: ECIN20090 | 913.55 | 58,025 | 5,30,09,132 | PUC |
| 2009-10 | 20090529 | SWITZERLAND | 73062919 | CASING PIPE GRADE:N80 TYPE Q (9 5/8 X43.5PPFXR3, BC (NWT:858.262MTS) | 840.10 | 1,08,761 | 9,13,70,696 | PUC |
| 2009-10 | 20090506 | RUSSIA | 73042990 | 9 5/8 CASING PIPES, GRADE:N-80 43.5 PPF, BTC - ESSENTIAL CERTIFICATE NO. ECIN2 | 711.30 | 1,08,693 | 7,73,13,184 | PUC |
| 2009-10 | 20090518 | CHINA P RP | 73041990 | SEAMLESS PIPE (60.3 X 5.5 MM X 46.3 LAYER POLYTHYLENE COATED, 7510 PCS) | 669.19 | 62,878 | 4,20,77,536 | PUC |
| 2009-10 | 20090502 | CHINA P RP | 73042990 | TUBING 2-7/8 OD 6.5 L-80, EUE - ESSENTIAL CERTIFICATE NO. ECIN200904200056 DT | 611.09 | 67,874 | 4,14,77,328 | PUC |
| 2009-10 | 20090529 | SPAIN | 73043911 | RIFLE TUBES TO SPEC SA 210 (CARBON STEEL) | 599.09 | 1,51,542 | 9,07,87,672 | PUC |
| 2009-10 | 20090520 | CHINA P RP | 73042990 | TUBING 2-7/8 OD, 6.5 PPF, L-80, EUE | 527.86 | 67,875 | 3,58,28,200 | PUC |
| 2009-10 | 20090518 | CHINA P RP | 73041990 | SEAMLESS PIPE 60.3 X 5.5 MM X 46.3 LAYER POLYTHYLENE COATED, 5755 PCS) | 512.87 | 62,879 | 3,22,48,728 | PUC |
| 2009-10 | 20090528 | SPAIN | 73043911 | 73043911 SEAMLESS STEEL TUBES(COPPER STEEL)SA 210 | 412.00 | 1,29,078 | 5,31,80,324 | PUC |
| 2009-10 | 20090508 | CHINA P RP | 73042990 | TUBING 2-7/8 OD 6.5PPF, N-80, EUE (E.C.NO.- ECIN200904290051 DTD.29/04/2009) (| 411.46 | 62,028 | 2,55,21,834 | PUC |
| 2009-10 | 20090508 | CHINA P RP | 73049000 | C S SEAMLESS PIPES AS PER PONO.2008/200906/01 DT.12.3.2009 | 399.00 | 43,415 | 1,73,22,504 | PUC |
| 2009-10 | 20090515 | CHINA P RP | 73042990 | 2-7/8 OD, 6.5PPF, L-80, EUE TUBING | 348.66 | 67,875 | 2,36,65,556 | PUC |
| 2009-10 | 20090509 | UKRAINE | 73049000 | SECONDARY CARBON STEEL SEAMLESS PIPES IN MIXED SIZES | 328.00 | 22,212 | 72,85,442 | PUC |
| 2009-10 | 20090513 | UNSPECIFIED | 73049000 | LINE PIPE WITH 70MM PU FOAM FOR INSULATION ONLY COATING CHARGES | 281.81 | 76,885 | 2,16,66,989 | PUC |
| 2009-10 | 20090514 | CHINA P RP | 73049000 | PRIME CARBON STEEL SEAMLESS PIPES GRADE : ASTM A 106 GR B / AP1 5L GR.B | 270.00 | 40,091 | 1,08,24,620 | PUC |
| 2009-10 | 20090526 | CHINA P RP | 73043119 | CARBON STEEL SEAMLESS MOTHER PIPES(HOT FINISH) GRADE ASTM A106 GRADE-B SIZE ODX | 266.00 | 40,895 | 1,08,78,089 | PUC |
| 2009-10 | 20090514 | UNSPECIFIED | 73049000 | LINE PIPE WITH 70MM PU FOAM FOR INSULATION ONLY COATING CHARRES EXP INV NO /SB | 264.62 | 76,969 | 2,03,67,351 | PUC |
| 2009-10 | 20090508 | CHINA P RP | 73045930 | HOT FINISHED SEAMLESS STEEL TUBESOD 232 X WT 5.7 X 1545MM (MUL) | 264.00 | 80,804 | 2,13,32,320 | PUC |
| 2009-10 | 20090529 | CHINA P RP | 73045110 | BEARING QUALITY STEEL TUBE SAE-52100 SIZE 121.1 X 9.1MM | 239.00 | 50,707 | 1,21,18,862 | PUC |
| 2009-10 | 20090513 | CHINA P RP | 73049000 | CARBON STEEL SEAMLESS PIPE ASTM 106 GR.B | 232.00 | 33,311 | 77,28,041 | PUC |
| 2009-10 | 20090521 | CHINA P RP | 73045110 | CS SEAMLESS TUBES (MATERIAL:SA179 AS PER ASME SECII A ED'07+'08, SIZE:20 OD X W | 227.40 | 38,893 | 88,44,308 | PUC |
| 2009-10 | 20090523 | JAPAN | 73041910 | PIPE SMLS A 106 GR.B CS NACE OD-0.5 SCH-XXS | 227.09 | 56,644 | 1,28,62,941 | PUC |
| 2009-10 | 20090529 | GERMANY | 73049000 | SEAMLESS STEEL TUBES OD 63.5 X 7.49 WT X 10000 MM | 209.30 | 1,15,405 | 2,41,53,779 | PUC |
| 2009-10 | 20090525 | FRANCE | 73043911 | SEAMLESS RIFLED BOILER TUBES TO SPEC SA 210 (CARBON STEEL) | 205.00 | 1,48,464 | 3,04,35,090 | PUC |
| 2009-10 | 20090525 | CHINA P RP | 73043911 | HOT FINISHED SEAMLESS STEEL TUBES SIZE: 139.7MM X 4.5MM | 203.00 | 61,461 | 1,24,76,613 | PUC |
| 2009-10 | 20090511 | CHINA P RP | 73069090 | SEAMLESS STEEL TUBE - OR 6004(BEARING QUALITY) | 194.00 | 92,581 | 1,79,60,697 | PUC |
| 2009-10 | 20090521 | SINGAPORE | 73042390 | 5 OD, DRILL PIPE, S-135; 26 PPF | 192.20 | 2,72,220 | 5,23,21,281 | PUC |
| 2009-10 | 20090511 | CHINA P RP | 73043119 | NON ALLOY STEEL SEAMLESS PIPES 114.3*8.56MM | 183.00 | 39,100 | 71,55,356 | PUC |
| 2009-10 | 20090505 | UNSPECIFIED | 73049000 | CARBON STEEL SEAMLESS PIPE SECONDARY DEFECTIVE | 170.00 | 20,498 | 34,84,599 | PUC |
| 2009-10 | 20090526 | CHINA P RP | 73049000 | PRIME CARBON STEEL SEAMLESS PIPES GRADE : ASTM A 106 / API 5L GR.B | 166.00 | 37,667 | 62,52,698 | PUC |
| 2009-10 | 20090515 | JAPAN | 73045910 | 162275KG TUBE SEAMLESS ALLOY STEEL BEARING TUBE (OTHER SEAMLESS TUBES HAVING OU | 162.00 | 1,08,395 | 1,75,59,986 | PUC |
| 2009-10 | 20090512 | U ARAB EMTS | 73041990 | SEAMLESS CASING PIPE 5 1/2 K55 GRADE 15.5 PPF BTC R-3(FOR COAL BED METHANE OP | 161.45 | 84,893 | 1,37,05,849 | PUC |
| 2009-10 | 20090513 | CHINA P RP | 73043119 | CS SEAMLESS TUBES ASTM A179 - 48MM OD X 1.5MM THK X 13750MM LONG (82500 MTR | 151.42 | 66,763 | 1,01,08,988 | PUC |
| 2009-10 | 20090504 | CHINA P RP | 73042990 | SEAMLESS STEEL PIPES ASTMA 106GR.B/API 5L GR.B (114.3 MM X 7 MM) | 150.00 | 39,557 | 59,33,530 | PUC |
| 2009-10 | 20090520 | CHINA P RP | 73043119 | SEAMLESS CARBON STEEL TUBE AS PER PURCHASE ORDER NO.08HIM0118 DATED 12.03.2009 | 132.00 | 48,334 | 63,80,033 | PUC |
| 2009-10 | 20090520 | CHINA P RP | 73045110 | BEARING QUALITY STEEL TUBE SAE-52100 SIZE 27.9X4.3 MM | 128.00 | 53,296 | 68,21,868 | PUC |
| 2009-10 | 20090526 | UKRAINE | 73049000 | SECONDARY CARBON STEEL SEAMLESS PIPES IN MIXED SIZES | 119.00 | 25,708 | 30,59,246 | PUC |
| 2009-10 | 20090519 | CHINA P RP | 73042990 | CASING PIPE 5 1/2 INCH OD, J-55, 17 PPF, BTC (356 PCS), EC NO. ECIN200905130028 | 117.41 | 81,360 | 95,52,510 | PUC |
| 2009-10 | 20090520 | CHINA P RP | 73049000 | COLD DRAWN SEAMLESS CARBON STEEL TUBES OD 63.5X4.5WTX11000 LG | 113.48 | 56,776 | 64,42,765 | PUC |
| 2009-10 | 20090522 | OMAN | 73049000 | SECONDARY/DEFECTIVE MS PIPES MIX SIZE | 110.00 | 17,188 | 18,90,691 | PUC |
| 2009-10 | 20090525 | CHINA P RP | 73041110 | CORBON STEEL SEAMLESS TUBES CONFORMING TO SA210GR A1 60.3X8.74X9600MM | 110.00 | 53,612 | 58,97,268 | PUC |

**Import Data from DGCIS [All Countries PUC]
Apr 2009 to Jun 2012**

| Year | Date | Country | ITC-HS | Item-Des | Quantity (MT) | Price (Rs./MT) | Value (Rs) | PUC/ NPUC |
|---------|----------|-------------|----------|---|---------------|----------------|-------------|--------------|
| 2009-10 | 20090512 | CHINA P RP | 73049000 | PRIME CARBON STEEL SEAMLESS PIPES GRADE : ASTM A106 GR.B / API 5L | 109.00 | 37,897 | 41,30,793 | PUC |
| 2009-10 | 20090527 | U K | 73049000 | SECONDARY SECOND CHOICE CARBON STEEL SEAMLESS / WELDED PIPES | 108.78 | 18,690 | 20,33,065 | PUC |
| 2009-10 | 20090521 | TAIWAN | 73042990 | DO ORIGINAL MATERIAL PIPES STKM 13C DIA 99.7MM X 155MM | 108.21 | 16,496 | 17,85,011 | PUC |
| 2009-10 | 20090505 | UNSPECIFIED | 73049000 | SECONDARY CARBON STEEL SEAMLESS PIPES | 108.00 | 23,154 | 25,00,628 | PUC |
| 2009-10 | 20090512 | CHINA P RP | 73043119 | CDS CARBON STEEL SEAMLESS TUBES CONF. TO SPEC. SA 192 (SIZE : 51.00 X 4.0 X 60 | 106.00 | 58,649 | 62,16,759 | PUC |
| 2009-10 | 20090512 | CHINA P RP | 73049000 | CARBON STEEL SEAMLESS PIPE GB816220# | 106.00 | 25,744 | 27,28,916 | PUC |
| 2009-10 | 20090504 | U K | 73049000 | SCONDARY SURPLUS CARBON STEEL SEAMLESS PIPES | 104.86 | 21,384 | 22,42,317 | PUC |
| 2009-10 | 20090513 | CHINA P RP | 73043119 | CS SEAMLESS TUBES ASTM A179 - 48MM OD X 1.5MM THK X 13750MM LONG (53790 MT | 104.13 | 63,296 | 65,91,061 | PUC |
| 2009-10 | 20090515 | SAUDI ARAB | 73049000 | SECONDARY SECOND CARBON STEEL SEAMLESS / WELDED PIPES MIXED THICKNESS MIXED LO | 104.00 | 15,489 | 16,10,852 | PUC |
| 2009-10 | 20090525 | CHINA P RP | 73049000 | CARBON STEEL SEAMLESS PIPES ASTM 106 A GRADE B | 104.00 | 28,081 | 29,20,374 | PUC |
| 2009-10 | 20090515 | SAUDI ARAB | 73049000 | SECONDARY SECOND CARBON STEEL SEAMLESS/ WELDED PIPES MIXED THICKNESS MIXED LOT. | 103.00 | 15,564 | 16,03,108 | PUC |
| 2009-10 | 20090522 | CHINA P RP | 73069090 | SEAMLESS STEEL TUBE - IR 6000-BEARING QUALITY | 103.00 | 92,449 | 95,22,239 | PUC |
| 2009-10 | 20090514 | CHINA P RP | 73042990 | TUBING 2-7/8 OD 6.5PPF L-80, EUE (E.C. NO - ECIN200905110007 DT-11/05/2009) (I | 101.41 | 67,878 | 68,83,680 | PUC |
| 2009-10 | 20090515 | CHINA P RP | 73042990 | 94050KG SEAMLESS CARBON STEEL PIPE ASTM A106 GR.B 38MM OD X 12MM THK X 5900MM | 99.91 | 51,634 | 51,58,626 | PUC |
| 2009-10 | 20090519 | CHINA P RP | 73049000 | CARBON STEEL SEAMLESS PIPE ACCORDING TO API-5L/ASTM A106 GRB WITH BV-IBR SIZE 1 | 99.00 | 33,940 | 33,60,075 | PUC |
| 2009-10 | 20090515 | SAUDI ARAB | 73049000 | SECONDARY SECOND CARBON STEEL SEAMLESS/ WELDED PIPES MIXED THICKNESS MIXED LOT. | 97.00 | 15,569 | 15,10,174 | PUC |
| 2009-10 | 20090513 | OMAN | 73049000 | SECONDARY /DEFECTIVE MS PIPES MIX SIZE | 94.47 | 15,805 | 14,93,136 | PUC |
| 2009-10 | 20090526 | CHINA P RP | 73049000 | SEAMLESS PIPE SIZE OD 219MM*WT 32MM | 89.00 | 50,260 | 44,73,151 | PUC |
| 2009-10 | 20090522 | CHINA P RP | 73042390 | DRILL PIPE, 5 OD 19.50, GRADE:G-105, CONNECTION:NC-50 | 86.18 | 1,46,775 | 1,26,48,697 | PUC |
| 2009-10 | 20090506 | CHINA P RP | 73049000 | COLD DRAWN CARBON STEEL SEAMLESS HEAT EXCHANGER TUBES TO ASTM A 179/ASME SA 179 | 86.00 | 48,466 | 41,68,118 | PUC |
| 2009-10 | 20090528 | CHINA P RP | 73045110 | BEARING QUALITY STEEL TUBE SAE-52100 SIZE 32.65 X 3.7MM | 84.00 | 51,840 | 43,54,571 | PUC |
| 2009-10 | 20090525 | CHINA P RP | 73049000 | PRIME CARBON STEEL SEAMLESS PIPES TO ASTM A106 GRADE B | 82.00 | 28,081 | 23,02,603 | PUC |
| 2009-10 | 20090506 | MALAYSIA | 73049000 | SECONDARY SECOND CHOICE CARBON STEEL SEAMLESS/WELDED PIPES | 81.00 | 17,889 | 14,49,016 | PUC |
| 2009-10 | 20090528 | ITALY | 73043129 | CARBON STEEL PIPES SA-106 GR.P 200 MM X 23.01 MM = 1 NO | 79.67 | 16,885 | 13,45,232 | PUC |
| 2009-10 | 20090520 | U ARAB EMTS | 73049000 | SECONDARY/DEFECTIVE CARBON STEEL PIPES | 79.38 | 22,267 | 17,67,593 | PUC |
| 2009-10 | 20090526 | U ARAB EMTS | 73049000 | CARBON STEEL PIPES (SECONDARY/DEFECTIVE) | 78.40 | 22,465 | 17,61,270 | PUC |
| 2009-10 | 20090505 | UNSPECIFIED | 73049000 | SECONDARY CARBON STEEL PIPES SEAMLESS | 78.00 | 15,095 | 11,77,430 | PUC |
| 2009-10 | 20090513 | CHINA P RP | 73041990 | SEAMLESS LINE PIPE OF SIZE 60.3 X 4.4 MM X 46 (1047 PCS), EC NO.: ECIN200905110 | 76.24 | 47,999 | 36,59,254 | PUC |
| 2009-10 | 20090511 | SINGAPORE | 73069090 | SECONDARY/ DEFECTIVE M.S. PIPES | 76.00 | 23,270 | 17,68,530 | PUC |
| 2009-10 | 20090522 | CHINA P RP | 73045110 | BEARING QUALITY STEEL TUBE SAE-52100 SIZE 90.25 X 75.79 MM | 76.00 | 53,351 | 40,54,651 | PUC |
| 2009-10 | 20090515 | CHINA P RP | 73049000 | CARBON STEEL SEAMLESS PIPES ASTM A 106 GRADE B | 74.00 | 37,673 | 27,87,810 | PUC |
| 2009-10 | 20090522 | CHINA P RP | 73049000 | PRIME EX-STOCK M.S.SEAMLESS PIPE SCH 40/SCH80 ASTM GR.B | 72.60 | 25,528 | 18,53,315 | PUC |
| 2009-10 | 20090529 | SAUDI ARAB | 73049000 | SECONDARY SECOND CARBON STEEL PIPE FITTINGS | 71.00 | 15,489 | 10,99,716 | PUC |
| 2009-10 | 20090526 | CHINA P RP | 73043119 | CS SEAMLESS TUBE - ASTM A179 - 48MM OD X 1.5MM THK X 13750MM LONG (40040 MTR) | 68.87 | 68,271 | 47,01,803 | PUC |
| 2009-10 | 20090515 | ROMANIA | 73042200 | CARBON STEEL SEAMLESS PIPES 16 SCH STD MEANT FOR EXECUTIONOF IOCL VADODARA REF | 62.00 | 1,15,134 | 71,38,294 | PUC |
| 2009-10 | 20090529 | CHINA P RP | 73045110 | BEARING QUALITY STEEL TUBE SAE-52100 SIZE 92.4X 9.25MM | 61.00 | 55,664 | 33,95,483 | PUC |
| 2009-10 | 20090508 | CHINA P RP | 73049000 | CS SEAMLESS PIPES AND DTD:12.03.09 ASRO 2008/200906/01 DT:12.03.09 | 60.00 | 43,970 | 26,38,201 | PUC |
| 2009-10 | 20090515 | SINGAPORE | 73061929 | SECONDARYSTEEL PIPES | 59.00 | 20,687 | 12,20,541 | PUC |
| 2009-10 | 20090529 | SPAIN | 73043911 | SEAMLESS STEEL TUBES TO SPEC SA 210 (CARBON STEEL) | 57.00 | 1,68,491 | 96,03,960 | PUC |
| 2009-10 | 20090514 | KOREA RP | 73043129 | COLD DRAWN STEEL TUBE (110 X 128) | 56.65 | 80,633 | 45,67,703 | PUC |
| 2009-10 | 20090512 | JAPAN | 73062919 | SECONDARY DEFECTIVE M.S.PIPES OF MIXED SIZES | 55.00 | 19,361 | 10,64,866 | PUC |

**Import Data from DGCIS [All Countries PUC]
Apr 2009 to Jun 2012**

| Year | Date | Country | ITC-HS | Item-Des | Quantity (MT) | Price (Rs./MT) | Value (Rs) | PUC/ NPUC |
|---------|----------|-------------|----------|---|---------------|----------------|-------------|--------------|
| 2009-10 | 20090506 | BELGIUM | 73049000 | M.S.SEAMLESS PIPES SECONDARY SECOND CHOICE MIX | 53.00 | 19,227 | 10,19,052 | PUC |
| 2009-10 | 20090506 | CHINA P RP | 73069090 | SEAMLESS STEEL TUBE - OD39.70MM*ID29.09MM(BEARINGQUALITY) | 53.00 | 77,558 | 41,10,569 | PUC |
| 2009-10 | 20090508 | U ARAB EMTS | 73049000 | CARBON STEEL SEAMLESS PIPE (SECONDARY/DEFECTIVE) | 52.92 | 22,446 | 11,87,844 | PUC |
| 2009-10 | 20090504 | U ARAB EMTS | 73049000 | CARBON STEEL SEAMLESS PIPE (SECONDARY/DEFECTIVE) | 52.92 | 22,285 | 11,79,340 | PUC |
| 2009-10 | 20090513 | U K | 73049000 | SECONDARY SURPLUS CARBON STEEL SEAMLESS PIPE | 52.92 | 21,384 | 11,31,625 | PUC |
| 2009-10 | 20090521 | CHINA P RP | 73045110 | CS TUBES (ASME SA179 AS PER ASME SEC II AED 07+AD'08, 250DX2.5MIN WT X 6000LG) | 52.20 | 68,433 | 35,72,517 | PUC |
| 2009-10 | 20090504 | JAPAN | 73062919 | SECONDARY DEFECTIVE M.S.PIPES OF MIXED SIZES | 52.00 | 19,384 | 10,07,960 | PUC |
| 2009-10 | 20090529 | SAUDI ARAB | 73049000 | SECONDARY SECOND CARBON STEEL SEAMLESS / WELDED PIPES MIXED THICKNESS MIXED LO | 52.00 | 15,489 | 8,05,426 | PUC |
| 2009-10 | 20090505 | CHINA P RP | 73045110 | BEARING QUALITY STEEL TUBE SAE-52100 SIZE 40.75 X 4.5MM | 52.00 | 55,602 | 28,91,291 | PUC |
| 2009-10 | 20090513 | CHINA P RP | 73043911 | COLD DRAWN CARBON STEEL SEAMLESS TUBES(MOTHER HOLLOW) OD : 32 MM W.T : 3.6 MM, | 52.00 | 48,235 | 25,08,215 | PUC |
| 2009-10 | 20090521 | CHINA P RP | 73049000 | CARBON STEEL SEAMLESS PIPE ASTM A106 GRADE B | 52.00 | 36,901 | 19,18,855 | PUC |
| 2009-10 | 20090523 | CHINA P RP | 73049000 | PRIME CARBON STEEL SEAMLESS PIPES GRADE : ASTM A 106 GR.B / API 5L GR.B | 52.00 | 36,635 | 19,05,025 | PUC |
| 2009-10 | 20090527 | CHINA P RP | 73049000 | PRIME CARBON STEEL SEAMLESS PIPES GRADE : ASTM A 106 GR.B / API 5L GR.B | 51.95 | 35,228 | 18,29,969 | PUC |
| 2009-10 | 20090526 | U ARAB EMTS | 73049000 | CARBON STEEL PIPES (SECONDARY DEFECTIVE) | 51.94 | 22,324 | 11,59,499 | PUC |
| 2009-10 | 20090513 | ITALY | 73049000 | SECONDARY CARBON STEEL SEAMLESS PIPES | 51.00 | 23,276 | 11,87,084 | PUC |
| 2009-10 | 20090513 | U K | 73049000 | SECONDARY SECOND CHOICE CARBON STEEL SEAMLESS / WELDED PIPES | 51.00 | 17,889 | 9,12,343 | PUC |
| 2009-10 | 20090518 | SWEDEN | 73045110 | SECONDARY AND DEFECTIVE SEAMLESS STEEL TUBES, GRADE: 100CR6 THICK XWIDTHXLENGTH | 50.00 | 29,999 | 14,99,934 | PUC |
| 2009-10 | 20090518 | CHINA P RP | 73049000 | PRIME EX-STOCK M.S.SEAMLESS PIPE SCH.40/SCH80 ASTM GR.B | 48.40 | 25,528 | 12,35,543 | PUC |
| 2009-10 | 20090527 | CHINA P RP | 73049000 | PRIME CARBON STEEL SEAMLESS PIPES GRADE : ASTM A 106 GR.B / API 5L GR.B | 47.85 | 35,228 | 16,85,533 | PUC |
| 2009-10 | 20090515 | CHINA P RP | 73043119 | NON ALLOY STEEL SEAMLESS PIPES | 47.00 | 37,549 | 17,64,826 | PUC |
| 2009-10 | 20090514 | U K | 73049000 | CARBON STEEL SEAMLESS PIPE SECONDARY DEFECTIVE | 46.00 | 21,288 | 9,79,243 | PUC |
| 2009-10 | 20090515 | SAUDI ARAB | 73049000 | SECONDARY SECOND CARBON STEEL PIPE FITTINGS | 46.00 | 15,489 | 7,12,492 | PUC |
| 2009-10 | 20090522 | CHINA P RP | 73045120 | SEAMLESS STEEL TUBE GRADE :GCR 15/SAE 52100,SIZE:80.7X5.75MM(ODX WT) (COLD DRAW | 45.76 | 49,013 | 22,42,651 | PUC |
| 2009-10 | 20090512 | CHINA P RP | 73045110 | HOT FINISHED SEAMLESS CARBON STEEL PIPE - GRADE:ASME SA 530/106 GRADE B SIZE | 45.00 | 65,866 | 29,63,969 | PUC |
| 2009-10 | 20090518 | CHINA P RP | 73043119 | CARBON STEEL SEAMLESS TUBES ASME SA210 GR.A1-63.5MM ODX4.06MM WTX9000MM LG 3456 | 44.00 | 47,396 | 20,85,442 | PUC |
| 2009-10 | 20090522 | CHINA P RP | 73043119 | CARBON STEEL SEAMLESS PIPES GRDE ASTM A106(60.3*5.54MM) | 44.00 | 45,591 | 20,06,013 | PUC |
| 2009-10 | 20090526 | CHINA P RP | 73043119 | CARBON STEEL SEAMLESS MOTHER PIPES(HOT FINISH) GRADE ASTM A106 GRADE-B SIZEODXW | 43.00 | 41,316 | 17,76,568 | PUC |
| 2009-10 | 20090507 | CHINA P RP | 73043119 | SEAMLESS STEEL PIPES ASTM A 106/API 5L GR.A 42.2*3.56*5800MM | 42.00 | 38,720 | 16,26,219 | PUC |
| 2009-10 | 20090522 | CHINA P RP | 73043119 | CARBON STEEL SEAMLESS PIPES GRADE ASTM A106 | 42.00 | 36,075 | 15,15,148 | PUC |
| 2009-10 | 20090514 | JAPAN | 73049000 | SECONDARY SECOND CHOICE CARBON STEEL SEAMLESS/WELDED PIPE MIX LOT | 40.93 | 20,652 | 8,45,243 | PUC |
| 2009-10 | 20090522 | CHINA P RP | 73045110 | BEARING QUALITY STEEL TUBE SAE-52100 SIZE 90.25 X 75.79 MM | 40.00 | 52,261 | 20,90,457 | PUC |
| 2009-10 | 20090520 | CHINA P RP | 73042990 | CASING PIPES 5-1/2 , L-80, 17PPF, BTC | 36.27 | 87,575 | 31,76,430 | PUC |
| 2009-10 | 20090520 | U S A | 73049000 | SECONDARY / DEFECTIVE CARBON STEEL SEAMLESS PIPES | 36.00 | 24,762 | 8,91,429 | PUC |
| 2009-10 | 20090522 | SINGAPORE | 73042390 | 5 , DRILL PIPE, S-135, 26PPF | 35.75 | 3,41,093 | 1,21,93,303 | PUC |
| 2009-10 | 20090515 | SINGAPORE | 73049000 | DRILLING PIPES: 5 OD, HEAVY WEIGHT PIPE DRILL; SPIRAL | 34.56 | 71,285 | 24,63,268 | PUC |
| 2009-10 | 20090508 | UNSPECIFIED | 73049000 | MS PIPES/RETRIEVE PIPES (MT)3 1/2 TDS TUBING PIPE CASING (SIZE) LENGTH 30/32 FT | 33.00 | 12,915 | 4,26,187 | PUC |
| 2009-10 | 20090512 | SWEDEN | 73043139 | COLD DRAWN SEAMLESS STEEL TUBES (VCE162 190X160,00H8) | 32.38 | 52,395 | 16,96,515 | PUC |
| 2009-10 | 20090521 | MALAYSIA | 73049000 | M.S.SEC/DEF PIPE FITTING MIX SIZE | 27.00 | 60,695 | 16,38,764 | PUC |
| 2009-10 | 20090505 | UNSPECIFIED | 73049000 | CARBON STEEL PIPES (SECONDARY DEFECTIVE) NON ALLOY SEAMLESS. | 27.00 | 21,587 | 5,82,850 | PUC |
| 2009-10 | 20090525 | U K | 73049000 | SECONDARY SURPLUS CARBON STEEL PIPES | 26.00 | 21,577 | 5,60,998 | PUC |
| 2009-10 | 20090522 | CHINA P RP | 73043919 | SEAMLESS TUBES AS PER API STANDARD J - 55 OD 115 MM X 14 MM THICK (9.850 MTS | 25.95 | 33,657 | 8,73,500 | PUC |

Import Data from DGCIS [All Countries PUC]

Apr 2009 to Jun 2012

| Year | Date | Country | ITC-HS | Item-Des | Quantity (MT) | Price (Rs./MT) | Value (Rs) | PUC/ NPUC |
|---------|----------|-------------|----------|---|---------------|----------------|------------|--------------|
| 2009-10 | 20090527 | CHINA P RP | 73042990 | CARBON STEEL SEAMLESS CASING PIPES (OUTER DIAMETER 244.48XWALL THICKNESS 20.5) | 25.00 | 37,851 | 9,46,264 | PUC |
| 2009-10 | 20090505 | UNSPECIFIED | 73049000 | SECONDARY DEFECTIVE MS SEAMLESS PIPES | 24.00 | 14,397 | 3,45,518 | PUC |
| 2009-10 | 20090505 | CHINA P RP | 73042400 | SEAMLESS STEEL PIPE API 5L GRADE B 219.1MMX8.18MM | 24.00 | 49,817 | 11,95,607 | PUC |
| 2009-10 | 20090527 | CHINA P RP | 73049000 | CARBON STEEL SEAMLESS PIPE ASTM A106 GR.B | 24.00 | 26,283 | 6,30,791 | PUC |
| 2009-10 | 20090515 | CHINA P RP | 73045110 | BEARING QUALITY STEEL TUBE - SAE 52100 - 35.7 X 3.9 | 23.37 | 61,267 | 14,31,862 | PUC |
| 2009-10 | 20090526 | KUWAIT | 73049000 | SECONDARY CARBON STEEL PIPES SEAMLESS | 23.00 | 20,690 | 4,75,867 | PUC |
| 2009-10 | 20090505 | UNSPECIFIED | 73049000 | CARBON STEEL SEAMLESS PIPE SECONDARY DEFECTIVE | 23.00 | 20,422 | 4,69,711 | PUC |
| 2009-10 | 20090519 | CHINA P RP | 73043119 | SEAMLESS CARBON STEEL TUBE:50NB*80S*5500-5800MM | 23.00 | 51,602 | 11,86,852 | PUC |
| 2009-10 | 20090518 | CHINA P RP | 73043119 | SEAMLESS STEEL PIPES AS PER ASTM A106/API 5L.GRA | 22.76 | 32,858 | 7,47,771 | PUC |
| 2009-10 | 20090518 | CHINA P RP | 73041990 | BEARING QUALITY STEEL TUBE- 28.6*3.6 GRADE GCR15 | 22.41 | 50,416 | 11,29,729 | PUC |
| 2009-10 | 20090518 | CHINA P RP | 73043119 | SEAMLESS STEEL PIPES AS PER ASTM A106/API 5L.GRA | 22.25 | 32,858 | 7,31,211 | PUC |
| 2009-10 | 20090528 | U S A | 73049000 | SECONDARY DEFECTIVE MS SEAMLESS PIPE (PRESHIPMENT INSPECTIONCERTIFICATE NO. US- | 22.00 | 14,926 | 3,28,382 | PUC |
| 2009-10 | 20090504 | CHINA P RP | 73049000 | SEAMLESS STEEL TUBE (OD 16MMXW/T1.9MMX6100 MM) ASTM A179 | 22.00 | 46,208 | 10,16,579 | PUC |
| 2009-10 | 20090518 | CHINA P RP | 73043119 | SEAMLESS STEEL PIPES AS PER ASTM A.106/API 5L GR-A | 22.00 | 33,754 | 7,42,580 | PUC |
| 2009-10 | 20090527 | SINGAPORE | 73042390 | 5 OD,HEAVY WEIGHT PIPE DRILL; SLICK | 21.30 | 1,61,930 | 34,49,107 | PUC |
| 2009-10 | 20090518 | CHINA P RP | 73043119 | SAE52100 COLD REDUCED SPHERODIZED ANNEALED SEAMLESS TUBES OD.WALL THICKNESS 38. | 21.00 | 77,478 | 16,27,043 | PUC |
| 2009-10 | 20090516 | CHINA P RP | 73049000 | CARBON STEEL SEAMLESS PIPE | 21.00 | 41,957 | 8,81,102 | PUC |
| 2009-10 | 20090518 | CHINA P RP | 73043119 | SEAMLESS STEEL PIPES ASTM A 106/API 5L GR.A | 21.00 | 34,203 | 7,18,265 | PUC |
| 2009-10 | 20090513 | CHINA P RP | 73041990 | SEAMLESS LINE PIPE OF SIZE 60.3 X 4.4 MM X 46 (289 PCS), EC NO.: ECIN2009051100 | 20.94 | 48,009 | 10,05,317 | PUC |
| 2009-10 | 20090521 | CHINA P RP | 73043119 | SAE52100 COLD REDUCED SPHERODISED ANNEALED SEAMLESS TUBES OD.WALL THICKNESS 30. | 20.00 | 80,432 | 16,08,633 | PUC |
| 2009-10 | 20090506 | CHINA P RP | 73041190 | SEAMLESS CARBON STEEL PIPES AS PER A106 GR B API 5L GR.B (OD X WT : 1 SCH40 , | 20.00 | 45,621 | 9,12,419 | PUC |
| 2009-10 | 20090511 | CHINA P RP | 73043119 | NON ALLOY STEEL SEAMLESS PIPES | 20.00 | 45,342 | 9,06,845 | PUC |
| 2009-10 | 20090508 | CHINA P RP | 73042990 | 42176.2KG SEAMLESS CARBON STEEL PIPE ASTM A106 GR.B 38 G BF DRILL BAR 38MM OD | 19.37 | 1,18,300 | 22,91,852 | PUC |
| 2009-10 | 20090508 | JAPAN | 73049000 | ALLOY STEEL SEAMLESS STEEL TUBES O.D.51.55MMXW/TH.6.35MM | 19.12 | 1,54,377 | 29,51,389 | PUC |
| 2009-10 | 20090521 | CHINA P RP | 73043119 | NON ALLOY STEEL SEAMLESS PIPES | 18.00 | 57,413 | 10,33,434 | PUC |
| 2009-10 | 20090514 | CHINA P RP | 73045110 | BEARING QUALITY STEEL TUBE SAE-52100 SIZE 33.82X24.78 MM | 18.00 | 56,842 | 10,23,158 | PUC |
| 2009-10 | 20090515 | CHINA P RP | 73042990 | TUBING 2-7/8 OD 6.5PPF, N-80, EUE | 16.32 | 62,055 | 10,12,502 | PUC |
| 2009-10 | 20090520 | UNSPECIFIED | 73042390 | 5-1/2 HEAVY WEIGHT DRILL PIPE 5-1/2 NORMAL DIA X 3-1/4 LONG W/5 FH OSTJ CONN | 15.98 | 3,04,581 | 48,67,427 | PUC |
| 2009-10 | 20090512 | CHINA P RP | 73041990 | SEAMLESS PIPE 114.3 X 7.9 MM X 46.3 LAYER P COATED (62 PCS), EC NO.: ECIN200905 | 15.30 | 57,321 | 8,77,223 | PUC |
| 2009-10 | 20090512 | CHINA P RP | 73045110 | STEEL TUBES 79.00X7.50MM | 15.00 | 74,041 | 11,10,609 | PUC |
| 2009-10 | 20090526 | CHINA P RP | 73043119 | PIPE (DIA 4X0.5THK) (ZINC COATED PIPE) (50000 MTR) | 14.78 | 79,313 | 11,71,852 | PUC |
| 2009-10 | 20090511 | CHINA P RP | 73043119 | NON ALLOY STEEL SEAMLESS PIPES 88.9*5.49 MM | 14.70 | 39,370 | 5,78,743 | PUC |
| 2009-10 | 20090506 | JAPAN | 73049000 | SECONDARY DEFECTIVE CARBON STEEL SEAMLESS PIPES | 13.00 | 21,750 | 2,82,745 | PUC |
| 2009-10 | 20090514 | ITALY | 73062919 | SEAMLESS CARBON STEEL PIPES-ASTM A 106 STEEL GR.B,219.10 X 10.31MM. | 12.75 | 3,29,132 | 41,94,878 | PUC |
| 2009-10 | 20090529 | JAPAN | 73049000 | ALLOY STEEL SEAMLESS STEEL TUBES OD 51.55MMXW/TH.5.30MM | 11.77 | 1,98,777 | 23,39,196 | PUC |
| 2009-10 | 20090520 | CHINA P RP | 73049000 | SEAMLESS PIPE | 11.76 | 61,052 | 7,17,849 | PUC |
| 2009-10 | 20090504 | JAPAN | 73049000 | BEARING QUALITY STEEL TUBES SAE52100 38.95MM OD X 3.85MM WT. | 9.72 | 1,09,746 | 10,66,508 | PUC |
| 2009-10 | 20090509 | UKRAINE | 73049000 | SECONDARY CARBON STEEL SEAMLESS PIPES IN MIXED SIZES | 9.00 | 23,690 | 2,13,208 | PUC |
| 2009-10 | 20090525 | SINGAPORE | 73049000 | OILFIELD EQUIPMENT : QRD TBLR, XQVR 7.6 29.7# VTSC80 B X 4.5 COMM NO. SR NO. | 8.64 | 1,22,559 | 10,59,402 | PUC |
| 2009-10 | 20090518 | SINGAPORE | 73042990 | 23/8 4.7#J55 EUE + TKC COUPLING OD 2.91 | 8.60 | 1,70,680 | 14,67,845 | PUC |
| 2009-10 | 20090518 | CHINA P RP | 73041190 | SEAMLESS TUBES AS PER SA 179 AND BS 3059 G.360-PART-II (19.05 X 1.83 X 6100MM) | 8.18 | 71,588 | 5,85,922 | PUC |

Import Data from DGCIS [All Countries PUC]

Apr 2009 to Jun 2012

| Year | Date | Country | ITC-HS | Item-Des | Quantity (MT) | Price (Rs./MT) | Value (Rs) | PUC/ NPUC |
|---------|----------|-------------|----------|---|---------------|----------------|--------------|--------------|
| 2009-10 | 20090504 | CHINA P RP | 73045110 | HOT FINISHED SEAMLESS CARBON STEEL PIPE - GRADE:ASME SA 530/106 GRADE B SIZE | 8.00 | 1,80,007 | 14,40,052 | PUC |
| 2009-10 | 20090514 | CHINA P RP | 73049000 | PRIME CARBON STEEL SEAMLESS PIPES GRADE : ASTM A 106 GR B / AP1 5L GR.B | 8.00 | 41,181 | 3,29,446 | PUC |
| 2009-10 | 20090504 | GERMANY | 73043911 | INTEGRAL FIN TUBES (1.4558) SIZE: O.D. 48,3MM | 7.00 | 1,10,726 | 7,75,079 | PUC |
| 2009-10 | 20090501 | JAPAN | 73049000 | COLD DRAWN SEAMLESS STEEL TUBE ITEM NO.RGPS021 O.D. 18.40MM X I.D. 11.00MM GRA | 5.99 | 2,97,163 | 17,79,707 | PUC |
| 2009-10 | 20090505 | UNSPECIFIED | 73049000 | CARBON STEEL TUBES (1721 PCS)SIZE 0.75 14BWG (19.05MM OD X 2.11 MM) | 5.59 | 1,89,425 | 10,58,320 | PUC |
| 2009-10 | 20090506 | CHINA P RP | 73041910 | PALIN MILD STEEL TUBE 6 MM X 0.8 MM X 5 M | 5.00 | 71,800 | 3,58,998 | PUC |
| 2009-10 | 20090522 | CHINA P RP | 73043919 | SEAMLESS TUBES AS PER API STANDARD J-55 OD 128 MM X 13 MM THICK (147 MTR) | 5.00 | 51,442 | 2,57,211 | PUC |
| 2009-10 | 20090515 | JAPAN | 73049000 | COLO DRAWN SEAMLESS TUBE SCM 415H (OD 13.40 X ID 9.10) | 3.97 | 2,74,680 | 10,89,379 | PUC |
| 2009-10 | 20090504 | JAPAN | 73041910 | 142MMODX121.60IDXRL COLD DRAWN SEAMLESS STEEL TUBES | 3.45 | 2,77,096 | 9,55,759 | PUC |
| 2009-10 | 20090522 | CHINA P RP | 73043119 | CARBON STEEL SEAMLESS PIPES GRDE ASTM A106(26.7*3.91MM) | 3.00 | 58,820 | 1,76,461 | PUC |
| 2009-10 | 20090529 | JAPAN | 73049000 | PIN STEEL TUBE SCM 415H 15.85MM X 11.2MM [COLD DRAWN SEAMLESS TUBE] | 2.01 | 2,85,141 | 5,73,989 | PUC |
| 2009-10 | 20090526 | U S A | 73049000 | OILWELL EQUIPMENT (OLD & USED) RE-EXPORT BASIS : OUTER TUBE HD 6-3/4 X 11 FEET | 2.00 | 1,43,549 | 2,87,097 | PUC |
| 2009-10 | 20090528 | GERMANY | 73049000 | SQUARE TUBES DIM : 35 X 35 X 3MM LENGTH 655 MM | 1.16 | 88,991 | 1,03,230 | PUC |
| 2009-10 | 20090505 | UNSPECIFIED | 73041110 | FUEL PIPES (MODEL NO - E280CDI) | 1.00 | 1,34,561 | 1,34,561 | PUC |
| 2009-10 | 20090513 | U K | 73049000 | SECONDARY SECOND CHOICE CARBON STEEL SEAMLESS / WELDED PIPES | 1.00 | 21,467 | 21,467 | PUC |
| 2009-10 | 20090515 | SAUDI ARAB | 73049000 | SECONDARY SECOND CARBON STEEL PIPE FITTINGS | 1.00 | 15,489 | 15,489 | PUC |
| 2009-10 | 20090529 | SAUDI ARAB | 73049000 | SECONDARY SECOND CARBON STEEL PIPE FITTINGS | 1.00 | 15,489 | 15,489 | PUC |
| 2009-10 | 20090515 | SAUDI ARAB | 73049000 | SECONDARY SECOND CARBON STEEL SEAMLESS / WELDED PIPES MIXED THICKNESS MIXED LO | 1.00 | 15,489 | 15,489 | PUC |
| 2009-10 | 20090529 | SAUDI ARAB | 73049000 | SECONDARY SECOND CARBON STEEL SEAMLESS / WELDED PIPES MIXED THICKNESS MIXED LO | 1.00 | 15,489 | 15,489 | PUC |
| 2009-10 | 20090515 | SAUDI ARAB | 73049000 | SECONDARY SECOND CARBON STEEL SEAMLESS/ WELDED PIPES MIXED THICKNESS MIXED LOT. | 1.00 | 15,489 | 15,489 | PUC |
| 2009-10 | 20090515 | SAUDI ARAB | 73049000 | SECONDARY SECOND CARBON STEEL SEAMLESS/ WELDED PIPES MIXED THICKNESS MIXED LOT. | 1.00 | 15,489 | 15,489 | PUC |
| 2009-10 | 20090519 | CHINA P RP | 73049000 | CARBON STEEL SECONDARY/DEFECTIVE SEAMLESS PIPE | 1.00 | 46,144 | 46,144 | PUC |
| 2009-10 | 20090528 | U S A | 73042390 | GUIDE, STABBING, FOR 5 DRILL PIPE, 6-5/8 TOOL JOINT WITH 4-1/2 IF CONNECTION | 1.00 | 1,40,310 | 1,40,170 | PUC |
| 2009-10 | 20090506 | ITALY | 73049000 | SMLS CYLINDER TUBES,HOT ROLLED E355 EN 10297 INSIDE H 8 MM-229 X 24.5 | 0.56 | 2,15,036 | 1,21,065 | PUC |
| 2009-10 | 20090526 | SWEDEN | 73041990 | PIPE 28 X 2 L=3000 (PARTS FOR FAN) | 0.48 | 1,01,792 | 48,860 | PUC |
| 2009-10 | 20090505 | CHINA P RP | 73049000 | CARBON STEEL BACKED PTFE STRIPS 2.4X200X1000MM | 0.41 | 1,16,122 | 47,550 | PUC |
| 2009-10 | 20090512 | JAPAN | 73062919 | SECONDARY DEFECTIVE M.S.PIPES OF MIXED SIZES | 0.10 | 1,58,760 | 15,876 | PUC |
| 2009-10 | 20090520 | U S A | 73049000 | SECONDARY / DEFECTIVE CARBON STEEL SEAMLESS PIPES | 0.09 | 54,128 | 4,655 | PUC |
| 2009-10 | 20090522 | CHINA P RP | 73049000 | PRIME EX-STOCK M.S.SEAMLESS PIPE SCH 40/SCH80 ASTM GR.B | 0.05 | 25,740 | 1,287 | PUC |
| 2009-10 | 20090518 | CHINA P RP | 73049000 | PRIME EX-STOCK M.S.SEAMLESS PIPE SCH.40/SCH80 ASTM GR.B | 0.03 | 26,000 | 858 | PUC |
| 2009-10 | 20090520 | JAPAN | 73041990 | TUBE (HX81X1935ODX) (SPARE PARTS FOR KOBELCO EXCAVATOR) | 0.02 | 1,47,800 | 2,956 | PUC |
| 2009-10 | 20090504 | JAPAN | 73062919 | SECONDARY DEFECTIVE M.S.PIPES OF MIXED SIZES | 0.01 | 1,93,100 | 1,931 | PUC |
| 2009-10 | 20090514 | JAPAN | 73049000 | SECONDARY SECOND CHOICE CARBON STEEL SEAMLESS/WELDED PIPE MIX LOT | 0.002 | 20,500 | 41 | PUC |
| 2009-10 | 20090617 | CHINA P RP | 98010013 | BOILER PRESSURE TUBES | 3,774.30 | 1,17,597 | 44,38,48,278 | PUC |
| 2009-10 | 20090626 | CHINA P RP | 73041990 | SEAMLESS PIPE 114.3 X 7.9MM X 46.3 LAYER P COATED (8081 PCS), EC NO.: ECIN20090 | 2,009.79 | 54,310 | 10,91,51,968 | PUC |
| 2009-10 | 20090602 | CHINA P RP | 73049000 | SEAMLESS PIPE, BE, 10 INCH B36.10, SCH 40, ASTM A 106 GR.B | 1,413.68 | 59,141 | 8,36,06,244 | PUC |
| 2009-10 | 20090617 | CHINA P RP | 73049000 | SEAMLESS PIPE, BE, 10 INCH, B36.10, SCH 40, ASTM A 106 GR.B | 1,329.03 | 63,363 | 8,42,12,056 | PUC |
| 2009-10 | 20090619 | CHINA P RP | 73042390 | (OILFIELD SEAMLESS CASING PIPES) CASING 9-5/8 X 47 PPF X R3, GRADE N80, TYPE : | 1,045.63 | 63,691 | 6,65,97,768 | PUC |
| 2009-10 | 20090616 | CHINA P RP | 73042990 | CASING PIPES 9-5/8 J-55, 40PPF BTC | 1,043.12 | 82,654 | 8,62,17,792 | PUC |
| 2009-10 | 20090617 | UNSPECIFIED | 73049000 | LINE PIPE WITH 70MM PU FOAM FOR INSULATION ONLY COATING CHARGES EXP INV EXP-RJ/ | 853.00 | 7,103 | 60,59,023 | PUC |
| 2009-10 | 20090626 | CHINA P RP | 73041990 | SEAMLESS PIPE 168.3 X 6.4MM X 46.3 LAYER P COATED (2505 PCS), EC NO.: ECIN20090 | 766.56 | 56,559 | 4,33,55,684 | PUC |

**Import Data from DGCIS [All Countries PUC]
Apr 2009 to Jun 2012**

| Year | Date | Country | ITC-HS | Item-Des | Quantity (MT) | Price (Rs./MT) | Value (Rs) | PUC/ NPUC |
|---------|----------|-------------|----------|---|---------------|----------------|--------------|--------------|
| 2009-10 | 20090623 | CHINA P RP | 73041990 | HOT FINISHED SEAMLESS CARBON STEEL PIPES- 273.1*30*5-7M (2BDL = 4 PCS) | 693.00 | 42,682 | 2,95,78,956 | PUC |
| 2009-10 | 20090605 | RUSSIA | 73042990 | CASING PIPES. 9 5/8 OD X 43.5 PPF X R3, BC, GRADE N80(TYPE Q) (133 BDLS = 732 | 581.97 | 1,01,953 | 5,93,33,528 | PUC |
| 2009-10 | 20090626 | CHINA P RP | 73049000 | SEAMLESS PIPE, BE, 10 INCH, B 36.10 SCH 40, ASTM A 106 GR.B | 493.96 | 77,060 | 3,80,64,061 | PUC |
| 2009-10 | 20090626 | CHINA P RP | 73041990 | LINE PIPES & SEAMLESS PIPES (60.3 X 5.5MM X 46.3 LAYER POLYETHYLENE COATED, 551 | 491.20 | 59,582 | 2,92,66,572 | PUC |
| 2009-10 | 20090617 | CHINA P RP | 73062919 | TUBING 2-7/8 6.5PPF N80 EUE R2 (20237.14 MTR) | 469.00 | 48,992 | 2,29,77,431 | PUC |
| 2009-10 | 20090619 | CHINA P RP | 73042390 | (OILFIELD SEAMLESS CASING PIPES) CASING 9-5/8 X 47 PPF X R3, GRADE N80, TYPE : | 446.93 | 63,746 | 2,84,90,058 | PUC |
| 2009-10 | 20090611 | SINGAPORE | 73042990 | TUBING 3-1/2 9.2 PPF L-80 13 CR NSCT | 438.01 | 2,94,343 | 12,89,25,792 | PUC |
| 2009-10 | 20090619 | CHINA P RP | 73042390 | (OILFIELD SEAMLESS CASING PIPES) CASING 9-5/8 47 PPF X R3, GRADE N80, TYPE : BT | 426.16 | 65,199 | 2,77,85,113 | PUC |
| 2009-10 | 20090618 | CHINA P RP | 73041990 | STEEL SEAMLESS COLD DRAWN ANNEALED & STRAIGHTENED TUBES OD*ID*LENGTH 48.30MM*8M | 410.00 | 48,504 | 1,98,86,672 | PUC |
| 2009-10 | 20090623 | CHINA P RP | 73043939 | SEAMLESS STEEL CYLINDER PIPE (JIS-G-3429-88 37MN)O.D 232MMX5.4MM | 382.00 | 55,872 | 2,13,43,106 | PUC |
| 2009-10 | 20090619 | CHINA P RP | 73049000 | SEAMLESS STEEL PIPES ACCORDING TO ASTM 106,GR.B/A53 GR.B/API 5L GR.B | 337.00 | 27,526 | 92,76,286 | PUC |
| 2009-10 | 20090623 | JAPAN | 73045910 | TUBES SEAMLESS ALLOY STEEL (BOILER TUBES) | 297.00 | 1,45,540 | 4,32,25,488 | PUC |
| 2009-10 | 20090630 | CHINA P RP | 73041990 | SEAMLESS CARBON STEEL PIPES API 6 8 XSCH 60,80,100,120,160 INVOICE ITM 15 TO | 289.00 | 25,065 | 72,43,847 | PUC |
| 2009-10 | 20090612 | CHINA P RP | 73045930 | HOT FINISHED SEAMLESS STEEL TUBES 232MMX5.4MM | 288.00 | 50,204 | 1,44,58,689 | PUC |
| 2009-10 | 20090605 | CHINA P RP | 73049000 | HOT ROLLED SEAMLESS STEEL PIPES 37MN | 280.68 | 56,749 | 1,59,28,301 | PUC |
| 2009-10 | 20090629 | CHINA P RP | 73041110 | COLD DRAWN SEAMLESS STEEL TUBES SIZE : OD31.8 X WT. 4.5 X L8600MM (5375 MTR) | 268.00 | 1,47,323 | 3,94,82,609 | PUC |
| 2009-10 | 20090609 | CHINA P RP | 73042990 | TUBING 4-1/2 12.6 PPF L-80 NSCT | 267.76 | 2,23,230 | 5,97,70,868 | PUC |
| 2009-10 | 20090612 | UNSPECIFIED | 73049000 | LINE PIPE WITH 70 MM PU FOAM INSULATION ONLY COATING CHARGES EXP INV/EXP-RJ/EXP | 248.67 | 73,154 | 1,81,91,365 | PUC |
| 2009-10 | 20090623 | CHINA P RP | 73043911 | SEAMLESS STEEL CYLINDER PIPES (34CRMO04)SIZE 232MMX5.4MM | 246.00 | 60,640 | 1,49,17,380 | PUC |
| 2009-10 | 20090608 | CHINA P RP | 73049000 | COLD DRAWN CARBON STEEL SEAMLESS PIPES AS PER ASTM A 106 GR.B/API 5L GR.B PIPES | 234.80 | 32,414 | 76,10,823 | PUC |
| 2009-10 | 20090623 | CHINA P RP | 73043911 | SEAMLESS STEEL CYLINDER PIPES (34CRMO4)SIZE 267MMX6.5MM | 232.00 | 60,554 | 1,40,48,493 | PUC |
| 2009-10 | 20090611 | CHINA P RP | 73042990 | TUBING 4-1/2 12.6 PPF L-80 NSCT | 223.23 | 2,23,234 | 4,98,32,468 | PUC |
| 2009-10 | 20090608 | UNSPECIFIED | 73049000 | LINE PIPE WITH 70MM PU FOAM INSULATION-ONLY COATING CHARGESEXP INV/EXP-RJ/EXP/1 | 206.20 | 70,562 | 1,45,49,865 | PUC |
| 2009-10 | 20090623 | U S A | 73042390 | SECONDARY / DEFECTIVE M.S PIPES | 202.27 | 20,561 | 41,58,827 | PUC |
| 2009-10 | 20090618 | SPAIN | 73043911 | RIFLE TUBES TO SPEC SA 210 (CARBON STEEL) | 200.48 | 1,52,203 | 3,05,13,934 | PUC |
| 2009-10 | 20090630 | CHINA P RP | 73041110 | SEAMLESS STEEL TUBE(34 CRM04 OD325.00 MM WT 7.50 MM) | 200.00 | 60,474 | 1,20,94,750 | PUC |
| 2009-10 | 20090601 | JAPAN | 73049000 | SEAMLESS CARBON STEEL PIPES MIX SIZE, STOCK LOT ASTM A106 GR-B, SIZE OD 23 MM- | 188.00 | 30,153 | 56,68,812 | PUC |
| 2009-10 | 20090617 | CHINA P RP | 73043939 | HIGH PRESSURE CYLINDER TUBE ACCORDING TO JISG 342988(2.34CRM 04 GRADE SIZE:OD 2 | 187.00 | 54,583 | 1,02,07,047 | PUC |
| 2009-10 | 20090620 | CHINA P RP | 73041190 | CARBON STEEL TUBES ASME SA179 SIZE (MM) 20.00 OD X 2.00 WT X 6000 LG | 183.69 | 69,902 | 1,28,39,982 | PUC |
| 2009-10 | 20090608 | CHINA P RP | 73049000 | CARBON STEEL SEAMLESS PIPES AS PER ASTM A 106 A53/API 5L GR. B | 181.00 | 31,585 | 57,16,946 | PUC |
| 2009-10 | 20090616 | CHINA P RP | 73049000 | TUBE SEAMLESS (OD31.8 X WT 4.5 X L8600MM) | 175.62 | 1,59,914 | 2,80,84,587 | PUC |
| 2009-10 | 20090610 | CHINA P RP | 73065000 | STEEL PIPE,B-36.10,ASTM A 106 GR.B.PE SEAMLESS NACE,1.5INCH,S160 PI 21977 Z 208 | 172.15 | 37,769 | 65,01,707 | PUC |
| 2009-10 | 20090619 | CHINA P RP | 73049000 | SEAMLESS STEEL PIPES AS PER ASTM A106/API 5L GR B | 164.00 | 33,886 | 55,57,296 | PUC |
| 2009-10 | 20090629 | U S A | 73042390 | SECONDARY / DEFECTIVE M.S PIPES | 162.65 | 20,561 | 33,44,280 | PUC |
| 2009-10 | 20090604 | CHINA P RP | 73042990 | TUBING 4-1/2,12.6 PPF L-80 NSCT | 158.38 | 2,23,255 | 3,53,60,072 | PUC |
| 2009-10 | 20090610 | UKRAINE | 73049000 | PRIME CARBON STEEL SEAMLESS PIPES GRADE : ASTM A 106 / A53 STEEL GRADE GR.B | 155.88 | 32,945 | 51,35,487 | PUC |
| 2009-10 | 20090629 | CHINA P RP | 73041990 | HOT FINISHED SEAMLESS CARBON STEEL PIPES-1143* 12*5-7M (4 BDL = 32 PCS) | 152.00 | 43,217 | 65,69,033 | PUC |
| 2009-10 | 20090608 | CHINA P RP | 73041190 | CARBON STEEL SEAMLESS MOTHER HOT FINISHED PIPES DIN 17175 ST35.8 (SIZE 65 MM OD | 150.00 | 34,049 | 51,07,341 | PUC |
| 2009-10 | 20090608 | CHINA P RP | 73041190 | CARBON STEEL SEAMLESS MOTHER HOT FINISHED PIPES DIN 17175 ST35.8 (SIZE 65 MM OD | 130.00 | 34,004 | 44,20,468 | PUC |
| 2009-10 | 20090630 | SWEDEN | 73045110 | SECONDARY AND DEFECTIVE SEAMLESS STEEL TUBES, GRADE: 100CR6THICK XWIDTHXLENGTH | 127.00 | 28,874 | 36,66,976 | PUC |
| 2009-10 | 20090610 | U ARAB EMTS | 73049000 | SECONDARY REJECTED PIPES M.S. SEAMLESS & WELDED PIPES MIX | 126.00 | 20,145 | 25,38,208 | PUC |

**Import Data from DGCIS [All Countries PUC]
Apr 2009 to Jun 2012**

| Year | Date | Country | ITC-HS | Item-Des | Quantity (MT) | Price (Rs./MT) | Value (Rs) | PUC/ NPUC |
|---------|----------|-------------|----------|---|---------------|----------------|-------------|--------------|
| 2009-10 | 20090601 | CHINA P RP | 73049000 | CARBON STEEL SEAMLESS PIPES | 125.00 | 31,648 | 39,55,951 | PUC |
| 2009-10 | 20090618 | FRANCE | 73043911 | 73043911 SEAMLESS TUBES (CARBON STEEL) | 124.00 | 1,55,080 | 1,92,29,964 | PUC |
| 2009-10 | 20090622 | U ARAB EMTS | 73049000 | SECONDARY SECOND CHOICE CARBON STEEL SEAMLESS / WELDED PIPES | 123.48 | 17,473 | 21,57,516 | PUC |
| 2009-10 | 20090604 | CHINA P RP | 73041910 | SEAMLESS STEEL PIPE ASTM A106 GR.B 273MMX30MM,32MM | 123.00 | 34,547 | 42,49,328 | PUC |
| 2009-10 | 20090617 | U S A | 73043911 | SECONDARY DEFECTIVE MS SEAMLESS PIPE | 122.00 | 21,619 | 26,37,566 | PUC |
| 2009-10 | 20090623 | CHINA P RP | 73045110 | BEARING QUALITY STEEL TUBE SAE-52100 AND SUJ-3 SIZE 62.7 X 4.85MM | 122.00 | 51,331 | 62,62,385 | PUC |
| 2009-10 | 20090630 | CHINA P RP | 73045110 | BEARING QUALITY STEEL TUBE SAE-52100 AND SUJ-3 SIZE : 62.7 X 4.85MM | 122.00 | 50,813 | 61,99,224 | PUC |
| 2009-10 | 20090602 | GERMANY | 73045110 | SECONDARY AND DEFECTIVE SEAMLESS STEEL TUBES, GRADE: 100CR6THICK XWIDTHXLENGTH | 119.00 | 29,374 | 34,95,490 | PUC |
| 2009-10 | 20090602 | CHINA P RP | 73049000 | SEAMLESS STEEL PIPES API 5L/ASTM A106/A53 GR.B | 118.00 | 36,028 | 42,51,267 | PUC |
| 2009-10 | 20090630 | CHINA P RP | 73049000 | CARBON STEEL SEAMLESS PIPES AS PER ASTM A 106 GR-B | 113.00 | 31,484 | 35,57,746 | PUC |
| 2009-10 | 20090601 | CHINA P RP | 73049000 | CARBON STEEL SEAMLESS PIPES API 5L/ASTM A106/A53 GR.B | 110.00 | 34,355 | 37,79,077 | PUC |
| 2009-10 | 20090604 | CHINA P RP | 73069090 | SEAMLESS STEEL TUBE - IR 6205(BEARING QUALITY) | 109.00 | 87,093 | 94,93,124 | PUC |
| 2009-10 | 20090623 | CHINA P RP | 73043119 | SEAMLESS CARBON STEEL PIPES API 5L/B83059 STEEL-320(51 MM X 6.3 MM) | 108.00 | 36,821 | 39,76,658 | PUC |
| 2009-10 | 20090603 | SINGAPORE | 73042390 | 5 OD, HEAVY WEIGHT PIPE DRILL SLICK | 105.95 | 1,49,684 | 1,58,59,198 | PUC |
| 2009-10 | 20090612 | CHINA P RP | 73042990 | TUBING 2-7/8 OD,6.5 PPF, L-80 EUE | 101.62 | 64,321 | 65,36,526 | PUC |
| 2009-10 | 20090617 | AUSTRALIA | 73043119 | ROD NQ, 3.0M ENHANCED, [PART NO. 3548212] [ORIG PARTS - DRILL RODS] | 100.00 | 23,627 | 23,62,653 | PUC |
| 2009-10 | 20090624 | CHINA P RP | 73049000 | SEAMLESS STEEL PIPES AS PER ASTM A106/APL 5L GR B (114.3MM, 141.3MM X 3.96MM) | 100.00 | 36,467 | 36,46,670 | PUC |
| 2009-10 | 20090611 | CHINA P RP | 73049000 | PRIME CARBON STEEL SEAMLESS PIPES GRADE : ASTM A 106 / API5L GR.B (SIZE 60.3*3. | 99.00 | 35,860 | 35,50,161 | PUC |
| 2009-10 | 20090617 | CHINA P RP | 73045920 | SEAM-LESS STEEL TUBES DIN1629 IN GRADE ST 52.3 (DIM: (MM) 134 X 4.5 X 6000) | 98.00 | 58,717 | 57,54,244 | PUC |
| 2009-10 | 20090630 | CHINA P RP | 73049000 | CARBON STEEL SEAMLESS PIPE | 98.00 | 44,018 | 43,13,763 | PUC |
| 2009-10 | 20090602 | GERMANY | 73049000 | SECONDARY CARBON STEEL PIPES,SECOND CHOICE,STOCK LOT | 97.00 | 22,504 | 21,82,867 | PUC |
| 2009-10 | 20090602 | CHINA P RP | 73041990 | C.S SEAMLESS PIPE ASTM A-106/API 5L GR.B(88.9MM*7.62MM) | 97.00 | 28,934 | 28,06,583 | PUC |
| 2009-10 | 20090617 | CHINA P RP | 73043119 | CARBON STEEL SEAMLESS TUBE ASME SA 192 - 50.8MM OD X 4.06MMWT X 4410MM LG | 95.00 | 45,657 | 43,37,443 | PUC |
| 2009-10 | 20090608 | GERMANY | 73049000 | SEAMLESS STEEL TUBES SA210 GR.C OD 50.8X6.35 THK X10000 LG | 94.01 | 76,543 | 71,95,879 | PUC |
| 2009-10 | 20090613 | CHINA P RP | 73041990 | CARBON SEAMLESS PIPE ASTM A106 GRADE B OD 114 MM THK 4 MM | 94.00 | 55,667 | 52,32,678 | PUC |
| 2009-10 | 20090611 | GERMANY | 73045110 | SECONDARY AND DEFECTIVE SEAMLESS STEEL TUBES, GRADE: 100CR6, OD 20-80MM,LENGTH: | 92.00 | 29,307 | 26,96,242 | PUC |
| 2009-10 | 20090601 | CHINA P RP | 73049000 | CARBON STEEL SEAMLESS PIPE ACCORDING TO API-5L/ASTM A106 GRB WITH BV-IBR SIZE - | 92.00 | 34,501 | 31,74,055 | PUC |
| 2009-10 | 20090615 | CHINA P RP | 73049000 | SEAMLESS STEEL PIPES API 5L/ASTM A106/A53 GR.B | 92.00 | 34,181 | 31,44,684 | PUC |
| 2009-10 | 20090622 | CHINA P RP | 73043911 | CARBON STEEL SEAMLESS PIPE (HOT FINISHED)38.10 X 4.5 X 11800 MM | 90.00 | 41,049 | 36,94,435 | PUC |
| 2009-10 | 20090619 | CHINA P RP | 73049000 | CARBON STEEL SEAMLESS PIPES CONFARMING TO API 5L GR.B / ASTM A106 GR.B. | 90.00 | 26,638 | 23,97,421 | PUC |
| 2009-10 | 20090626 | CHINA P RP | 73041990 | CARBON SEAMLESS PIPE ASTM A106 GRADE B OD48MM THK 9.0MM | 89.00 | 54,292 | 48,31,952 | PUC |
| 2009-10 | 20090630 | CHINA P RP | 73049000 | CARBON STEEL SEAMLESS PIPES AS PER ASTM A 106 GR.B | 88.00 | 31,597 | 27,80,549 | PUC |
| 2009-10 | 20090611 | CHINA P RP | 73043931 | HIGH PRESSURE CYLINDER TUBE 1.37 MN GRADE SIZE OD 232MM*5.4MM | 87.00 | 49,062 | 42,68,386 | PUC |
| 2009-10 | 20090623 | CHINA P RP | 73045110 | BEARING QUALITY STEEL TUBE SAE-52100 AND SUJ-3 SIZE : 43.6 X 9.7 MM | 83.00 | 51,093 | 42,40,754 | PUC |
| 2009-10 | 20090603 | CHINA P RP | 73043119 | CARBON SEAMLESS STEEL TUBES ASME SA210 GR.A1 44.5 OD X 4.5 WT X 11800 LG | 82.26 | 28,938 | 23,80,382 | PUC |
| 2009-10 | 20090617 | U S A | 73043911 | SECONDARY DEFECTIVE MS SEAMLESS PIPE | 82.00 | 21,474 | 17,60,830 | PUC |
| 2009-10 | 20090630 | U S A | 73042390 | SECONDARY / DEFECTIVE M.S PIPES | 80.87 | 20,561 | 16,62,702 | PUC |
| 2009-10 | 20090623 | CHINA P RP | 73049000 | SEAMLESS PIPE OD 365MM*WT*42MM | 80.00 | 75,362 | 60,28,991 | PUC |
| 2009-10 | 20090612 | CHINA P RP | 73045930 | HOT FINISHED SEAMLESS TUBES 267MMX6.5MM | 80.00 | 55,377 | 44,30,164 | PUC |
| 2009-10 | 20090623 | CHINA P RP | 73045110 | BEARING QUALITY STEEL TUBE SAE-52100 SIZE 28.6 X 4.65MM | 80.00 | 51,201 | 40,96,102 | PUC |
| 2009-10 | 20090605 | U ARAB EMTS | 73049000 | SECONDARY SECOND CHOICE CARBON STEEL SEAMLESS / WELDED PIPES | 79.38 | 17,645 | 14,00,673 | PUC |

**Import Data from DGCIS [All Countries PUC]
Apr 2009 to Jun 2012**

| Year | Date | Country | ITC-HS | Item-Des | Quantity (MT) | Price (Rs./MT) | Value (Rs) | PUC/ NPUC |
|---------|----------|-------------|----------|--|---------------|----------------|------------|--------------|
| 2009-10 | 20090625 | U K | 73049000 | CARBON STEEL SEAMLESS PIPE SECONDARY DEFECTIVE | 79.00 | 20,094 | 15,87,433 | PUC |
| 2009-10 | 20090630 | ITALY | 73049000 | SECONDARY / DEFECTIVE CARBON STEEL PIPES MIXED LOT | 79.00 | 15,054 | 11,89,251 | PUC |
| 2009-10 | 20090615 | CHINA P RP | 73049000 | SEAMLESS STEEL PIPES API 5L/ASTM A106/A53 GR.B | 79.00 | 35,106 | 27,73,413 | PUC |
| 2009-10 | 20090603 | ITALY | 73043119 | COLD DRAWN TUBES (210X180) - HONED OR SKIVED BURNISHED | 76.85 | 29,094 | 22,35,901 | PUC |
| 2009-10 | 20090603 | ITALY | 73043911 | FINNED TUBES (A312) D.219.1 X 16.6 L.3724 | 76.00 | 62,071 | 47,17,431 | PUC |
| 2009-10 | 20090626 | U ARAB EMTS | 73049000 | CARBON STEEL PIPE (SECONDARY & DEFECTIVE)-PSI.CFT.NO.0008/U/D/106266G | 76.00 | 20,290 | 15,42,046 | PUC |
| 2009-10 | 20090630 | CHINA P RP | 73043911 | CARBON STEEL SEAMLESS MOTHER PIPE (HOT FINISHED)26 X 3.00 X 8600 MM (STC 73 PCS | 74.00 | 40,420 | 29,91,077 | PUC |
| 2009-10 | 20090619 | CHINA P RP | 73043119 | CARBON STEEL SEAMLESS PIPE ASTM A106B/API5L/A53B -88.9MM X 7.62MM X 5800MM | 74.00 | 34,663 | 25,65,083 | PUC |
| 2009-10 | 20090630 | CHINA P RP | 73043119 | CARBON STEEL SEAMLESS LINE PIPES API 5L GR.B/ASTM A 106 GR.B8 XSCH40 NOT VARNISH | 74.00 | 30,685 | 22,70,699 | PUC |
| 2009-10 | 20090624 | GERMANY | 73045110 | SECONDARY AND DEFECTIVE SEAMLESS STEEL TUBES, GRADE: 100CR6 , OD 20-ABOUT 80MM, | 73.00 | 29,669 | 21,65,841 | PUC |
| 2009-10 | 20090619 | GERMANY | 73049000 | SECONDARY CARBON STEEL PIPES,SECOND CHOICE,STOCK LOT | 73.00 | 22,660 | 16,54,211 | PUC |
| 2009-10 | 20090619 | GERMANY | 73049000 | SECONDARY CARBON STEEL PIPES,SECOND CHOICE,STOCK LOT | 73.00 | 22,525 | 16,44,321 | PUC |
| 2009-10 | 20090617 | U ARAB EMTS | 73043911 | M.S.SECONDARY & DEFECTIVE PIPES SEAMLESS | 72.00 | 21,798 | 15,69,462 | PUC |
| 2009-10 | 20090615 | JAPAN | 73049000 | HOT FINISHED SEAMLESS ALLOY STEEL PIPES (IN BREAK BULK) SIZE : NB14 X SCH160 X | 71.00 | 1,36,953 | 97,23,690 | PUC |
| 2009-10 | 20090619 | SAUDI ARAB | 73049000 | SECONDARY SECOND CARBON STEEL SEAMLESS/ WELDED PIPES, AND PIPES FITTINGS MIXED | 69.00 | 14,783 | 10,20,050 | PUC |
| 2009-10 | 20090613 | CHINA P RP | 73049000 | CARBON STEEL SEAMLESS PIPE | 68.00 | 36,521 | 24,83,424 | PUC |
| 2009-10 | 20090608 | CHINA P RP | 73049000 | CARBON STEEL SEAMLESS PIPE API5L/ASTM A106/A53 GR.B | 65.00 | 29,324 | 19,06,084 | PUC |
| 2009-10 | 20090619 | CHINA P RP | 73043919 | SEAMLESS STEEL PIPES FOR CYLINDER (SIZE 139.7MMX4.5MMX5480MM) | 64.00 | 58,058 | 37,15,727 | PUC |
| 2009-10 | 20090617 | CHINA P RP | 73049000 | SEAMLESS STEEL PIPES API 5L/ASTM A106/A53 | 64.00 | 35,400 | 22,65,606 | PUC |
| 2009-10 | 20090612 | CHINA P RP | 73045930 | HOT FINISHED SEAMLESS TUBES 267MMX6.5MM | 62.00 | 55,571 | 34,45,377 | PUC |
| 2009-10 | 20090618 | CHINA P RP | 73049000 | COLD DRAWN CARBON SEAMLESS STEEL PIPE SA210 GR.A1 51MMX5MMX7.1M | 62.00 | 51,936 | 32,20,052 | PUC |
| 2009-10 | 20090601 | CHINA P RP | 73041190 | SEAMLESS STEEL PIPES 76.2MMX4.06MMX5.5M 1132PCS | 62.00 | 38,193 | 23,67,971 | PUC |
| 2009-10 | 20090619 | CHINA P RP | 73049000 | SEAMLESS STEEL PIPES ACCORDING TO ASTM 106,GR.B/A53 GR.B/API 5L GR.B | 61.00 | 26,608 | 16,23,116 | PUC |
| 2009-10 | 20090604 | U S A | 73043911 | MS SEAMLESS PIPE SECONDARY/DEFECTIVE | 59.00 | 22,449 | 13,24,475 | PUC |
| 2009-10 | 20090604 | CHINA P RP | 73041910 | C.S. SEAMLESS PIPES ASTM A 106, GR. B SMLS, BE B 36.10 NACE SIZE 6 (MADE OF C | 57.72 | 56,111 | 32,38,565 | PUC |
| 2009-10 | 20090623 | CHINA P RP | 73045110 | BEARING QUALITY STEEL TUBE SAE-52100 SIZE 33.96 X 24.78 MM | 55.00 | 54,456 | 29,95,068 | PUC |
| 2009-10 | 20090617 | CHINA P RP | 73043119 | SEAMLESS STEEL PIPES AS PER ASTM A 106/API 5L GR-A | 55.00 | 31,536 | 17,34,469 | PUC |
| 2009-10 | 20090623 | U ARAB EMTS | 73043911 | M.S.SECONDARY DEFECTIVE SEAMLESS PIPES | 52.00 | 22,011 | 11,44,589 | PUC |
| 2009-10 | 20090626 | U ARAB EMTS | 73049000 | CARBON STEEL PIPE (SECONDARY & DEFECTIVE)PSI CFT.NO.0008/U/D/106779/G | 52.00 | 20,399 | 10,60,764 | PUC |
| 2009-10 | 20090603 | U ARAB EMTS | 73049000 | SECONDARY SECOND CHOICE CARBON STEEL SEAMLESS / WELDED PIPES | 52.00 | 17,380 | 9,03,759 | PUC |
| 2009-10 | 20090612 | CHINA P RP | 73045930 | HOT FINISHED SEAMLESS TUBES 267MMX6.5MM | 52.00 | 56,146 | 29,19,605 | PUC |
| 2009-10 | 20090625 | CHINA P RP | 73041910 | PLAIN END SEAMLESS PIPES 5-1/2 OD(609.02 METERS= 51.554 MTS) | 51.55 | 48,379 | 24,94,132 | PUC |
| 2009-10 | 20090608 | CHINA P RP | 73049000 | CARBON STEEL SEAMLESS TUBES ASTM A 106 GR. B/API 5L GR.B | 51.00 | 40,546 | 20,67,865 | PUC |
| 2009-10 | 20090604 | CHINA P RP | 73049000 | CARBON STEEL SEAMLESS HOT FINISHED MOTHER PIPE. (33.4 MM X 3.38 MM X 8000-1200 | 50.26 | 40,655 | 20,43,117 | PUC |
| 2009-10 | 20090602 | U ARAB EMTS | 73043911 | M.S SECONDARY & DEFECTIVE PIPES SEAMLESS | 50.00 | 19,399 | 9,69,969 | PUC |
| 2009-10 | 20090630 | CHINA P RP | 73049000 | CRBON STEEL SEAMLESS PIPES ASTM A 106 GR-B | 50.00 | 36,186 | 18,09,285 | PUC |
| 2009-10 | 20090622 | CHINA P RP | 73049000 | CARBON STEEL SEAMLESS PIPES AS PER API 5L GR.B/ASTM A106/A53 GR.B(CARBON STEEL) | 50.00 | 34,591 | 17,29,550 | PUC |
| 2009-10 | 20090629 | CHINA P RP | 73049000 | CARBON STEEL SEAMLESS LINE PIPES API 5L GR.B/ASTM A106 GR.B | 50.00 | 32,494 | 16,24,688 | PUC |
| 2009-10 | 20090630 | CHINA P RP | 73041990 | SECONDARY DEFECTIVE M.S PIPE OF VARIOUS SIZE AND LENGTH | 50.00 | 18,403 | 9,20,155 | PUC |
| 2009-10 | 20090624 | UNSPECIFIED | 73049000 | LINE PIPE WITH 70MM PU FOAM FOR INSULATION-ONLY COATING CHARGES EXP INV EXP-RJ/ | 49.70 | 71,314 | 35,44,281 | PUC |
| 2009-10 | 20090623 | U ARAB EMTS | 73043911 | M.S.SECONDARY & DEFECTIVE SEAMLESS PIPES | 49.00 | 22,007 | 10,78,325 | PUC |

**Import Data from DGCIS [All Countries PUC]
Apr 2009 to Jun 2012**

| Year | Date | Country | ITC-HS | Item-Des | Quantity (MT) | Price (Rs./MT) | Value (Rs) | PUC/ NPUC |
|---------|----------|-------------|----------|---|---------------|----------------|------------|--------------|
| 2009-10 | 20090619 | CHINA P RP | 73043119 | SEAMLESS STEEL LINE PIPES AS PER ASTM A106/A53/API15L.GR.B SIZE 273.1 X 7.10MM | 48.00 | 32,273 | 15,49,112 | PUC |
| 2009-10 | 20090616 | CHINA P RP | 73049000 | SEAMLESS STEEL TUBE: 50NB SCH80 (SIZE: OD 60.30 WALL THK: 5.54) | 47.84 | 37,736 | 18,05,347 | PUC |
| 2009-10 | 20090630 | U S A | 73041110 | SEAM LESS CARBON STEEL TUBES - OD 31.75MM BWG 12 MIN LENGT 3051MM ASME SA 179 | 46.00 | 1,12,198 | 51,61,125 | PUC |
| 2009-10 | 20090612 | CHINA P RP | 73045930 | HOT FINISHED SEAMLESS TUBES 267MMX6.5MM | 46.00 | 55,578 | 25,56,586 | PUC |
| 2009-10 | 20090619 | CHINA P RP | 73049000 | CARBON STEEL SEAMLESS PIPES SECOND CHOICE | 46.00 | 24,190 | 11,12,717 | PUC |
| 2009-10 | 20090617 | U ARAB EMTS | 73043911 | M.S SECONDARY & DEFECTIVE SEAMLESS PIPES | 45.00 | 22,094 | 9,94,211 | PUC |
| 2009-10 | 20090602 | CHINA P RP | 73049000 | CARBON STEEL SEAMLESS PIPE ACCORDING TO API-5L/ASTM A106 GRB WITH BV-IBR-SIZE-1 | 45.00 | 34,719 | 15,62,377 | PUC |
| 2009-10 | 20090618 | CHINA P RP | 73043939 | HYDRAULIC CYLINDER HONED TUBE-115*90 | 44.60 | 31,333 | 13,97,429 | PUC |
| 2009-10 | 20090609 | OMAN | 73049000 | SECONDARY/DEFECTIVE MS PIPES OF MIX SIZE | 44.00 | 16,369 | 7,20,214 | PUC |
| 2009-10 | 20090610 | UKRAINE | 73049000 | PRIME CARBON STEEL SEAMLESS PIPES GRADE : ASTM A 106 / A53 STEEL GRADE GR.B | 43.94 | 32,945 | 14,47,609 | PUC |
| 2009-10 | 20090619 | CHINA P RP | 73043919 | SEAMLESS STEEL PIPES FOR CYLINDER (SIZE 139.7MMX4.5MMX5480MM) | 43.00 | 58,710 | 25,24,550 | PUC |
| 2009-10 | 20090619 | CHINA P RP | 73043119 | SURPLUS SEAMLESS CARBON STEEL PIPES AS PER ASTM A106 GRB, SIZE:22X2X4000MM | 43.00 | 32,449 | 13,95,308 | PUC |
| 2009-10 | 20090608 | CHINA P RP | 73049000 | CARBON STEEL SEAMLESS LINE PIPE CONFIRMING TO ASTM A106/ASTM A53/ API 5L GR B | 42.00 | 43,901 | 18,43,856 | PUC |
| 2009-10 | 20090622 | CHINA P RP | 73043939 | CARBON STEEL SEAMLESS PIPE SIZE:42.16 MM OD 8-12 MTR LGTH GRADE:DIN 17175 ST 35 | 42.00 | 38,137 | 16,01,754 | PUC |
| 2009-10 | 20090601 | CHINA P RP | 73049000 | PRIME CARBON STEEL SEAMLESS PIPES (ASTM A106 GR.B)(1-1/2 X SCH80MM X 5800MM) | 42.00 | 37,951 | 15,93,929 | PUC |
| 2009-10 | 20090622 | CHINA P RP | 73041990 | CARBON STEEL SEAMLESS LINE PIPE SECONDARY / EX-STOCK | 42.00 | 20,983 | 8,81,289 | PUC |
| 2009-10 | 20090619 | CHINA P RP | 73049000 | CARBON STEEL SEAMLESS PIPE ASTM A106GR B WITH IBR TC SIZE : 273 X 6.35 X5-7M | 41.00 | 42,109 | 17,26,466 | PUC |
| 2009-10 | 20090601 | CHINA P RP | 73043119 | CARBON STEEL SEAMLESS LINE PIPES ASTM A106 GR.B/API 5L GR.B/A53-4 NBXSCH40 X 58 | 40.00 | 32,263 | 12,90,527 | PUC |
| 2009-10 | 20090615 | U S A | 73042390 | SECONDARY / DEFECTIVE M.S PIPES | 39.95 | 20,561 | 8,21,398 | PUC |
| 2009-10 | 20090612 | CHINA P RP | 73045110 | COLD DRAWN SEAMLESS CARBON STEEL TUBES GRADE 37 MN5 (SIZE: 114.30 X 4.80 X 2905 | 39.00 | 50,857 | 19,83,406 | PUC |
| 2009-10 | 20090617 | CHINA P RP | 73049000 | CARBON STEEL SEAMLESS PIPES | 38.00 | 35,822 | 13,61,252 | PUC |
| 2009-10 | 20090627 | CHINA P RP | 73042390 | 5 STANDARD HEAVY WEIGHT DRILL PIPE, TOOL JOINT : 6.625 OD X 3 ID, CONNECTION: | 37.48 | 67,187 | 25,18,471 | PUC |
| 2009-10 | 20090619 | CHINA P RP | 73043919 | SEAMLESS STEEL PIPES FOR CYLINDER (SIZE 139.7MMX4.5MMX5480MM) | 37.00 | 57,704 | 21,35,054 | PUC |
| 2009-10 | 20090624 | CHINA P RP | 73041190 | CARBON STEEL TUBES ASME SA179 SIZE (MM) 20.00 OD X 2.10 WT X 9335 LG | 31.77 | 71,401 | 22,68,396 | PUC |
| 2009-10 | 20090601 | CHINA P RP | 73042990 | OILWELL EQUIPMENT : ROUND BAR 6.5/8 INCH OD X 3.1/4 ID X 31FT L-ONG AISI 4145 H | 30.13 | 1,00,639 | 30,32,522 | PUC |
| 2009-10 | 20090608 | CHINA P RP | 73041190 | SEAMLESS TUBES AS PER BS 3059 G.360-PART II (114.3X9.53X7600-8000MM) | 27.62 | 92,575 | 25,56,920 | PUC |
| 2009-10 | 20090601 | JAPAN | 73049000 | CARBON SEAMLESS STEEL PIPES (STOCKLOT). | 27.00 | 35,145 | 9,48,928 | PUC |
| 2009-10 | 20090625 | U K | 73049000 | CARON STEEL SECONDARY PIPES | 27.00 | 20,073 | 5,41,982 | PUC |
| 2009-10 | 20090622 | U K | 73049000 | SECONDARY SURPLUS CARBON STEEL PIPES | 26.00 | 20,197 | 5,25,132 | PUC |
| 2009-10 | 20090618 | U ARAB EMTS | 73049000 | SECONDARY CARBON STEEL PIPES FITTING | 26.00 | 15,094 | 3,92,438 | PUC |
| 2009-10 | 20090604 | CHINA P RP | 73043919 | SEAMLESS TUBES AS PER API STANDARD J - 55 OD 94 MM X 13.5 MM THICK (10.809 | 25.36 | 34,551 | 8,76,308 | PUC |
| 2009-10 | 20090624 | U K | 73049000 | SECONDARY SECON CHOICE CARBON STEEL SEAMLESS / WELDED PIPES | 25.00 | 16,951 | 4,23,782 | PUC |
| 2009-10 | 20090601 | CHINA P RP | 73049000 | CARBON STEEL SEAMLESS PIPES AS PER ASTM A106 GR.B | 25.00 | 32,333 | 8,08,328 | PUC |
| 2009-10 | 20090629 | CHINA P RP | 73042990 | DEFECTIVE CARBON SEAMLESS STEEL PIPES (SIZE: 194MMX38MM , 219MMX35MM) | 25.00 | 31,435 | 7,85,865 | PUC |
| 2009-10 | 20090625 | CHINA P RP | 73041990 | SEAMLESS STEEL TUBES, 38OD X 5.0 (PART NO.5221747-12) | 24.33 | 44,103 | 10,72,825 | PUC |
| 2009-10 | 20090618 | CHINA P RP | 73043129 | COLD DRAWN SEAMLESS STEEL TUBES(OD 120MM X ID 103MM X2980MM) | 24.23 | 91,736 | 22,23,048 | PUC |
| 2009-10 | 20090615 | GERMANY | 73069090 | M S SECOND DEFECTIVE PIPES | 24.00 | 22,768 | 5,46,424 | PUC |
| 2009-10 | 20090601 | U ARAB EMTS | 73049000 | SECONDARY DEFECTIVE CARBON STEEL MS VALVES | 24.00 | 20,925 | 5,02,209 | PUC |
| 2009-10 | 20090630 | U ARAB EMTS | 73049000 | SECONDARY M.S. PIPES | 24.00 | 20,359 | 4,88,626 | PUC |
| 2009-10 | 20090619 | U ARAB EMTS | 73049000 | SECONDARY /DEFECTIVE CARBON STEEL PIPES MIXED LOT. | 24.00 | 15,232 | 3,65,579 | PUC |
| 2009-10 | 20090629 | CHINA P RP | 73045110 | COLD DRAWN CARBON STEEL SEAMLESS TUBES/PIPES(MOTHER HOLLOW)60.3X2.85X10400 | 24.00 | 42,257 | 10,14,160 | PUC |

Import Data from DGCIS [All Countries PUC]

Apr 2009 to Jun 2012

| Year | Date | Country | ITC-HS | Item-Des | Quantity (MT) | Price (Rs./MT) | Value (Rs) | PUC/ NPUC |
|---------|----------|------------|----------|---|---------------|----------------|------------|--------------|
| 2009-10 | 20090630 | JAPAN | 73049000 | SEAMLESS ALLOY STEEL TUBES JIS G3441 SCM415TK 36.70MM OD X 28.10MM ID X 4M | 23.30 | 1,29,573 | 30,18,406 | PUC |
| 2009-10 | 20090606 | CHINA P RP | 73043939 | HYDRAULIC CYLINDER HONED TUBE 140*125 | 23.09 | 70,345 | 16,24,548 | PUC |
| 2009-10 | 20090616 | CHINA P RP | 73042990 | SEAMLESS STEEL PIPE API 5L GRADE B 273.1MMX12.7MM | 23.00 | 44,919 | 10,33,142 | PUC |
| 2009-10 | 20090609 | CHINA P RP | 73041990 | CARBON STEEL SEAMLESS TUBE OD114.3X5.21 MM WALL THICKNESS KGS GRADE AS PER ISRI | 23.00 | 42,903 | 9,86,769 | PUC |
| 2009-10 | 20090616 | CHINA P RP | 73043119 | CARBON STEEL SEAMLESS PIPE/TUBES ASTM A106 GR-A | 23.00 | 40,486 | 9,31,176 | PUC |
| 2009-10 | 20090603 | CHINA P RP | 73049000 | CARBON SEAMLESS STEEL PIPES(33.38X6.35X5.1-5.8M) | 23.00 | 40,231 | 9,25,323 | PUC |
| 2009-10 | 20090608 | GERMANY | 73049000 | SEAMLESS STEEL TUBES SA210 GR.C3 50.8X6.35 THK X10000 LG | 22.59 | 76,067 | 17,18,271 | PUC |
| 2009-10 | 20090619 | CHINA P RP | 73045110 | BEARING QUALITY STEEL TUBE SAE 52100 SIZE 35.7 X 3.9 | 21.43 | 58,055 | 12,44,114 | PUC |
| 2009-10 | 20090616 | CHINA P RP | 73043119 | SAE 52100 COLD REDUCED SPHERODIZED ANNEALED SEAMLESS TUBES OD. WALL THICKNESS 3 | 21.00 | 73,077 | 15,34,611 | PUC |
| 2009-10 | 20090630 | CHINA P RP | 73043119 | SEAMLESS CARBON STEEL PIPE AS PER ASTM A106/API 5L GRB 60.3X3.91X5.8M | 21.00 | 43,183 | 9,06,852 | PUC |
| 2009-10 | 20090630 | CHINA P RP | 73049000 | CARBON STEEL SEAMLESS LINE PIPE ASTM A 106/ASTM A 53 API 5L GR B | 21.00 | 32,645 | 6,85,547 | PUC |
| 2009-10 | 20090616 | CHINA P RP | 73043119 | SEAMLESS CARBON STEEL PIPE AS API 5L A | 21.00 | 32,640 | 6,85,437 | PUC |
| 2009-10 | 20090608 | CHINA P RP | 73043119 | CARBON STEEL SEAMLESS TUBES/PIPES ASTM A 106 GR.A | 21.00 | 32,229 | 6,76,813 | PUC |
| 2009-10 | 20090617 | CHINA P RP | 73043119 | SEAMLESS CARBON STEEL PIPE ASAPI 5L B 44.5X6.35X5.8M | 21.00 | 31,008 | 6,51,161 | PUC |
| 2009-10 | 20090623 | CHINA P RP | 73042390 | 5 STANDARD HEAVY WEIGHT DRILL PIPE, TOOL JOINT : 6.625 OD X 3 ID, CONNECTION: | 20.82 | 66,884 | 13,92,827 | PUC |
| 2009-10 | 20090609 | SAUDI ARAB | 73043911 | SECONDARY SECOND CHOICE CABRON STEEL SEAMLESS /WELDED PIPE MIX LOT | 20.00 | 19,392 | 3,87,845 | PUC |
| 2009-10 | 20090620 | CHINA P RP | 73045110 | SEAMLESS STEEL TUBES GRADE SAE52100 67MMX41MMX13MM(38 PCS) | 20.00 | 58,090 | 11,61,790 | PUC |
| 2009-10 | 20090629 | CHINA P RP | 73049000 | CARBON STEEL SEAMLESS TUBE ASTM A 106 GRADE B | 20.00 | 33,971 | 6,79,418 | PUC |
| 2009-10 | 20090602 | CHINA P RP | 73043119 | SEAMLESS CARBON STEEL PIPE AS API 5L B 42.2X3.56X4.400M, 42.2X3.56X3.900M,42.2 | 20.00 | 33,357 | 6,67,146 | PUC |
| 2009-10 | 20090624 | JAPAN | 73049000 | SEAMLESS ALLOY STEEL TUBES JIS G3441 SCM415TK 30.70MM OD X 24.90MM ID X 4M | 19.51 | 1,29,149 | 25,20,093 | PUC |
| 2009-10 | 20090617 | JAPAN | 73049000 | SEAMLESS ALLOY STEEL TUBES JIS G3441 SCM415TK 30.70MM OD X 24.90MM ID X 4M | 19.46 | 1,27,964 | 24,89,533 | PUC |
| 2009-10 | 20090605 | CHINA P RP | 73049000 | HOT ROLLED SEAMLESS STEEL PIPES 37MN | 19.29 | 56,749 | 10,94,566 | PUC |
| 2009-10 | 20090612 | SWEDEN | 73049000 | NON ALLOY SEAMLESS TUBES (SURPLUS) AS PER M.T.C. | 19.00 | 45,571 | 8,65,854 | PUC |
| 2009-10 | 20090630 | CHINA P RP | 73043119 | SPHERODIZED ANNEALED SAE52100 SEAMLESS COLD-DRAWN TUBES OD. WALL THICKNESS 30.8 | 19.00 | 63,460 | 12,05,740 | PUC |
| 2009-10 | 20090615 | CHINA P RP | 73049000 | CARBON SEAMLESS STEEL TUBES ASME SA210 GRAI 50.8 OD X4.5 WTX 11000 LG | 18.43 | 75,086 | 13,83,985 | PUC |
| 2009-10 | 20090626 | JAPAN | 73045120 | ALLOY STEEL SEAMLESS PIPES(O.D 50.8MM-168.3MM THCK. 5.74MM-21.00MM C0.11,MN0.4, | 18.00 | 82,826 | 14,90,872 | PUC |
| 2009-10 | 20090612 | CHINA P RP | 73049000 | PARTS OF REFRIGERATOR - SINGLE WALL STEEL TUBE (ZINCCOATED) | 18.00 | 66,623 | 11,99,210 | PUC |
| 2009-10 | 20090605 | CHINA P RP | 73043119 | CARBON STEEL SEAMLESS PIPES/TUBES 88.9X4.5X5800MM | 18.00 | 47,158 | 8,48,848 | PUC |
| 2009-10 | 20090604 | CHINA P RP | 73043929 | STEEL TUBE GRADE ST 52 (170X150) | 17.00 | 47,644 | 8,09,943 | PUC |
| 2009-10 | 20090605 | JAPAN | 73049000 | COLD DRAWN SEAMLESS TUBE ITEM NO.RGPC320 15.4(+/-0.05) X 11.0(+0.2/-0)MM GRADE | 16.77 | 2,48,879 | 41,73,204 | PUC |
| 2009-10 | 20090604 | CHINA P RP | 73049000 | PARTS OF REFRIGERATOR - SINGLE WALL STEEL TUBE (ZINCCOATED) | 16.00 | 58,566 | 9,37,053 | PUC |
| 2009-10 | 20090625 | GERMANY | 73043139 | RIFLED TUBE-OD 44.45MMX5.59MM W/T (11200 MM LGX253 NOS) | 15.18 | 1,72,471 | 26,18,466 | PUC |
| 2009-10 | 20090629 | CHINA P RP | 73049000 | CARBON STEEL SEAMLESS MOTHER PIPES[HOT FINISHED] [114.3MM X 19.05MM X 9860 | 13.00 | 59,136 | 7,68,762 | PUC |
| 2009-10 | 20090602 | CHINA P RP | 73049000 | CARBON STEEL SEAMLESS MOTHER PIPES[HOT FINISHED] [114.3MM X 12.7MM] | 13.00 | 57,717 | 7,50,320 | PUC |
| 2009-10 | 20090617 | JAPAN | 73049000 | SEAMLESS ALLOY STEEL PIPES AS PER THE P.O.NO:680009957 DT:21.10.08(SIZE:BS 3059 | 12.00 | 1,310 | 15,714 | PUC |
| 2009-10 | 20090615 | CHINA P RP | 73049000 | SEAMLESS CARBON STEEL PIPE (COLD DRAWN) PE (300MM X SCH140)(34.80 MTR) | 12.00 | 69,880 | 8,38,561 | PUC |
| 2009-10 | 20090617 | JAPAN | 73041110 | CARBON STEEL TUBES FOR MACHINE FOR STRUCTURAL PURPOSES,-USS791601 STKM13A 190.7 | 11.20 | 1,37,036 | 15,34,800 | PUC |
| 2009-10 | 20090616 | CHINA P RP | 73043119 | SEAMLESS CARBON STEEL PIPE ASAPI 5L B | 11.00 | 32,014 | 3,52,158 | PUC |
| 2009-10 | 20090601 | CHINA P RP | 73045110 | BEARING QUALITY STEEL TUBE SAE 52100 35.7 X 4.8 | 10.39 | 58,055 | 6,03,073 | PUC |
| 2009-10 | 20090602 | CHINA P RP | 73041190 | C. S SEAMLESS PIPE AS PER ASTM A106 GRB SIZE : 127MM X 8MM | 10.03 | 36,545 | 3,66,485 | PUC |
| 2009-10 | 20090626 | CHINA P RP | 73049000 | ALLOY SEAMLESS STEEL TUBE GRADE 20CR 20.4 X 8.00 (OD X ID IN MM) | 10.00 | 67,012 | 6,70,124 | PUC |

Import Data from DGCIS [All Countries PUC]

Apr 2009 to Jun 2012

| Year | Date | Country | ITC-HS | Item-Des | Quantity (MT) | Price (Rs./MT) | Value (Rs) | PUC/ NPUC |
|---------|----------|-------------|----------|---|---------------|----------------|------------|--------------|
| 2009-10 | 20090616 | CHINA P RP | 73043119 | SEAMLESS CARBON STEEL PIPE ASAPI 5L B | 10.00 | 34,507 | 3,45,066 | PUC |
| 2009-10 | 20090617 | CHINA P RP | 73043119 | SEAMLESS STEEL PIPES AS PER ASTM A 106/API 5L GR-A | 10.00 | 31,496 | 3,14,962 | PUC |
| 2009-10 | 20090619 | CHINA P RP | 73041190 | CARBON STEEL TUBES ASME SA179 SIZE (MM) 20.00 OD X 2.10 WT X 13656 LG | 9.19 | 80,987 | 7,44,515 | PUC |
| 2009-10 | 20090615 | SINGAPORE | 73049000 | MS CARBON STEEL SEAMLESS TUBES (GRADE BS 3059 HFS 320) (SIZE38.100 MM X 3 MM X | 9.00 | 41,959 | 3,77,627 | PUC |
| 2009-10 | 20090630 | CHINA P RP | 73043129 | COLD DRAWN SAMLESS STEEL TUBES (OD 142 MM X ID 124 MM X 1490 MM) | 8.65 | 91,741 | 7,93,378 | PUC |
| 2009-10 | 20090603 | JAPAN | 73041110 | PIPES CS SEAMLESS 3/4 -24 | 7.76 | 1,58,989 | 12,33,122 | PUC |
| 2009-10 | 20090608 | CHINA P RP | 73045110 | COLD DRAWN PRECISION TUBE (80X100MM) | 7.30 | 27,656 | 2,02,019 | PUC |
| 2009-10 | 20090609 | SAUDI ARAB | 73043911 | SECONDARY SECOND CHOICE CABRON STEEL SEAMLESS /WELDED PIPE MIX LOT | 7.00 | 21,387 | 1,49,708 | PUC |
| 2009-10 | 20090626 | SWEDEN | 73049000 | HOT ROLLED TUBES, GRADE OVAKO 280T, 111.70 X 85.00 MM | 6.30 | 1,06,852 | 6,73,274 | PUC |
| 2009-10 | 20090602 | JAPAN | 73049000 | COLD DRAWN SEAMLESS STEEL TUBE ITEM CODE RGPS021 O.D.18.40MM X I.D. 11.00MM GRA | 6.13 | 2,88,328 | 17,66,874 | PUC |
| 2009-10 | 20090601 | CHINA P RP | 73041190 | SEAMLESS STEEL PIPES 33.4MMX3.38MMX5.8M 354PCS | 5.00 | 38,906 | 1,94,531 | PUC |
| 2009-10 | 20090604 | GERMANY | 73043119 | SEAMLESS STEEL TUBES 50.80 OD X 6.35 WALL THK X 9400MMLLENGTH (68 PIECES) | 4.45 | 2,44,654 | 10,88,597 | PUC |
| 2009-10 | 20090604 | CHINA P RP | 73043919 | SEAMLESS TUBES AS PER API STANDARD J-55 OD 128 MM X 12.5MM THICK (137 MTR) | 4.00 | 51,371 | 2,05,482 | PUC |
| 2009-10 | 20090619 | SINGAPORE | 73041110 | PIPES CS SEAMLESS 3/4 -24 | 3.95 | 2,04,013 | 8,06,667 | PUC |
| 2009-10 | 20090630 | JAPAN | 73042990 | CROSS OVER 2 7/8 6.4 PPF L 80 13 CR FOX PIN X 2 7/8 6.5 PPF EURPIN EC NO.ECIN2 | 3.00 | 3,32,536 | 9,97,609 | PUC |
| 2009-10 | 20090605 | GERMANY | 73049000 | SEAMLESS P+P PRECISION STEEL TUBES DIN2391-C 25CRM04 16900MMOD 13000MM ID 1950M | 2.99 | 1,67,111 | 4,99,328 | PUC |
| 2009-10 | 20090608 | CHINA P RP | 73045120 | COLD DRAWN PRECISION TUBE (115X135MM) | 2.93 | 59,537 | 1,74,418 | PUC |
| 2009-10 | 20090604 | CHINA P RP | 73049000 | CARBON STEEL SEAMLESS HOT FINISHED MOTHER PIPE. (33.4 MM X 3.38 MM X 8000-1200 | 2.84 | 40,655 | 1,15,500 | PUC |
| 2009-10 | 20090623 | GERMANY | 73043119 | COLD DRAWN SEAMLESS PRECISION STEEL TUBES FOR HYDRAULIC(ROUND 28X24X2 / COO:AU | 2.65 | 2,00,062 | 5,29,564 | PUC |
| 2009-10 | 20090617 | BELGIUM | 73049000 | SECONDARY CABRON STEEL PIPES | 2.20 | 1,98,354 | 4,36,379 | PUC |
| 2009-10 | 20090609 | SINGAPORE | 73041110 | PIPES CS SEAMLESS 3/4 -34 | 2.00 | 1,28,450 | 2,56,900 | PUC |
| 2009-10 | 20090624 | GERMANY | 73043939 | RON 219, 1X6.3 ST35.8I SEAMLESS STEEL PIPE DIN 2448 219,1X6.3MM IN ST35.8I 4PCS | 2.00 | 88,180 | 1,76,359 | PUC |
| 2009-10 | 20090617 | U ARAB EMTS | 73043911 | M.S.SECONDARY & DEFECTIVE PIPES SEAMLESS | 2.00 | 29,428 | 58,855 | PUC |
| 2009-10 | 20090617 | U S A | 73043911 | SECONDARY DEFECTIVE MS SEAMLESS PIPE | 2.00 | 26,894 | 53,788 | PUC |
| 2009-10 | 20090629 | GERMANY | 73041910 | IRON TUBES AND PIPES (COMP. FOR ENGINE & TRANSMISSION MANUAL/ AUTO. MODEL C 200 | 2.00 | 11,932 | 23,863 | PUC |
| 2009-10 | 20090627 | CHINA P RP | 73045110 | CARBON SEAMLESS STEEL TUBE ASME SA 192 OD 60.3 X 3.65THK LG 6000 MM- 60 NOS | 1.84 | 66,596 | 1,22,297 | PUC |
| 2009-10 | 20090606 | GERMANY | 73049000 | SEAMLESS P+P-PRECISION STEEL TUBES GRADE-ST52,OD-6.350MM ID-3.000MM WT.1.675MMF | 1.31 | 1,70,359 | 2,23,511 | PUC |
| 2009-10 | 20090618 | CHINA P RP | 73041990 | SEAMLESS CARBON STEEL PIPES , B36. 10M, BW ENDS,SCH 20,ASTM A 106 GR B SIZE 10 | 1.29 | 73,380 | 95,018 | PUC |
| 2009-10 | 20090619 | JAPAN | 73049000 | COLD DRAWN SEAMLESS PIN STEEL TUBE SCM415H 19.35 X 12.0MM | 1.26 | 2,96,230 | 3,72,953 | PUC |
| 2009-10 | 20090624 | U K | 73049000 | SECONDARY SECOND CHOICE CARBON STEEL SEAMLESS / WELDED PIPES | 1.00 | 17,629 | 17,629 | PUC |
| 2009-10 | 20090626 | CHINA P RP | 73041990 | LINE PIPE, 60.30 MM, 4.4 MM X 46 SEAMLESS (10 PCS), EC NO.: ECIN200906190021 DT | 0.67 | 45,814 | 30,579 | PUC |
| 2009-10 | 20090619 | CHINA P RP | 73041190 | CARBON STEEL TUBES ASME SA179 SIZE (MM) 20.00 OD X 2.10 WT X 13656 LG | 0.56 | 81,338 | 45,224 | PUC |
| 2009-10 | 20090626 | CHINA P RP | 73041990 | SEAMLESS PIPE, 88.9 X 7.6 MM X 46.3 LAYER P COATED (3 PCS), EC NO.: ECIN2009061 | 0.55 | 54,983 | 30,172 | PUC |
| 2009-10 | 20090624 | CHINA P RP | 73049000 | RM00200040B SPL STEEL TUBE SCM415H OD12.35+0.10MM X ID7.90+0.10MM | 0.34 | 1,33,532 | 45,401 | PUC |
| 2009-10 | 20090612 | CHINA P RP | 73042310 | DRILL BITS 10X110 | 0.25 | 2,02,520 | 50,630 | PUC |
| 2009-10 | 20090630 | ITALY | 73049000 | SECONDARY / DEFECTIVE CARBON STEEL PIPES MIXED LOT | 0.10 | 74,610 | 7,461 | PUC |
| 2009-10 | 20090602 | U ARAB EMTS | 73043911 | M.S SECONDARY & DEFECTIVE PIPES SEAMLESS | 0.10 | 67,900 | 6,790 | PUC |
| 2009-10 | 20090604 | U S A | 73043911 | MS SEAMLESS PIPE SECONDARY/DEFECTIVE | 0.10 | 51,200 | 5,120 | PUC |
| 2009-10 | 20090623 | U ARAB EMTS | 73043911 | M.S.SECONDARY & DEFECTIVE SEAMLESS PIPES | 0.10 | 32,700 | 3,270 | PUC |
| 2009-10 | 20090623 | U ARAB EMTS | 73043911 | M.S.SECONDARY DEFECTIVE SEAMLESS PIPES | 0.10 | 32,700 | 3,270 | PUC |
| 2009-10 | 20090608 | CHINA P RP | 73049000 | COLD DRAWN CARBON STEEL SEAMLESS PIPES AS PER ASTM A 106 GR.B/API 5L GR.B PIPES | 0.10 | 32,594 | 3,129 | PUC |

**Import Data from DGCIS [All Countries PUC]
Apr 2009 to Jun 2012**

| Year | Date | Country | ITC-HS | Item-Des | Quantity (MT) | Price (Rs./MT) | Value (Rs) | PUC/ NPUC |
|---------|----------|-------------|----------|---|---------------|----------------|--------------|--------------|
| 2009-10 | 20090610 | CHINA P RP | 73043119 | STEEL PIPE,B-36.10,ASTM A106 GR.B,PE,SEAMLESS,NACE,0.5 INCH,XXS,PI 21977 Z 2042 | 0.04 | 21,77,851 | 79,056 | PUC |
| 2009-10 | 20090626 | JAPAN | 73045120 | ALLOY STEEL SEAMLESS PIPES(O.D 50.8MM-168.3MM THCK. 5.74MM-21.00MM C0.11,MN0.4, | 0.02 | 78,600 | 1,572 | PUC |
| 2009-10 | 20090616 | U S A | 73049000 | SECONDARY CARBON STEEL SECOND CHOICE SEAMLESS / WELDED PIPES | 0.02 | 67,250 | 1,345 | PUC |
| 2009-10 | 20090615 | FRANCE | 73045110 | TUBES SA 210 GR A1 SIZE IN MM-OD 19,050 X 2,770 (SEAMLESS TUBES OF ALLOY STEEL) | 0.01 | 1,86,444 | 1,678 | PUC |
| 2009-10 | 20090717 | CHINA P RP | 73049000 | SEAMLESS PIPE, BE, 10 INCH, B36.10, SCH 40, ASTM A106 GR.B | 1,876.77 | 34,364 | 6,44,93,281 | PUC |
| 2009-10 | 20090710 | CHINA P RP | 73041990 | CASING PIPE 4-1/2 13.5 PPF P110 BTC R3 (10131.49 MTR) | 1,328.00 | 42,316 | 5,61,95,310 | PUC |
| 2009-10 | 20090722 | RUSSIA | 73042990 | CASING PIPES - GRADE: N80 (9 5/8 X 43.5 PPF, BTC) (ESSENTIAL CERTIFICATE NO.EC | 1,264.07 | 57,326 | 7,24,64,576 | PUC |
| 2009-10 | 20090709 | CHINA P RP | 73042990 | CASING PIPES 5-1/2 , L-80, 17PPF, BTC, (3877 PCS), EC NO.: ECIN200903250004 DT: | 1,206.40 | 83,943 | 10,12,68,760 | PUC |
| 2009-10 | 20090715 | RUSSIA | 73042990 | CASING PIPES - GRADE: N80 (9 5/8 X 43.5 PPF X R3, BC) (ESSENTIAL CERTIFICATE N | 1,165.04 | 57,324 | 6,67,84,340 | PUC |
| 2009-10 | 20090701 | CHINA P RP | 73041190 | MS SEAMLESS PIPES CONFIRMING TO DIN 2448 ST.42.O/DIN17175 (SIZE:-273 X 16)VESSE | 1,127.44 | 8,553 | 96,43,330 | PUC |
| 2009-10 | 20090722 | RUSSIA | 73042990 | CASING PIPES - GRADE: N80 (9 5/8 X 43.5 PPF X R3, BTC) - ESSENTIAL CERTIFICATE | 1,067.43 | 57,325 | 6,11,90,036 | PUC |
| 2009-10 | 20090729 | CHINA P RP | 73041990 | SEAMLESS PIPE 114.3 X 7.9MM X 46.3 LAYER POLYTHYLENE COATED (3098 PCS), EC NO.: | 770.90 | 54,951 | 4,23,61,600 | PUC |
| 2009-10 | 20090729 | CHINA P RP | 73041990 | SEAMLESS PIPE 88.9 X 7.6MM X 46.3 LAYER POLYTHYLENE COATED (4169 PCS), EC NO.: | 761.24 | 55,632 | 4,23,49,292 | PUC |
| 2009-10 | 20090706 | CHINA P RP | 73042390 | (OILFIELD SEAMLESS CASING & TUBING PIPES) CASING, OD 7 X 29 PPF X R3, GRADE N- | 615.47 | 49,282 | 3,03,31,378 | PUC |
| 2009-10 | 20090721 | CHINA P RP | 73049000 | SEAMLESS PIPE,BE,6 INCH, B36.10,SCH 40, ASTM A 106 GR.B | 561.02 | 79,939 | 4,48,47,329 | PUC |
| 2009-10 | 20090731 | SPAIN | 73043911 | 73043911 SEAMLESS STEEL TUBES (CARBON STEEL) | 494.00 | 1,50,625 | 7,44,08,824 | PUC |
| 2009-10 | 20090728 | CHINA P RP | 73042990 | HOT ROLLED CARBON-MANGANESE (37MN) SEAMLESS STEEL TUBE, OD 232 MM AND 5.4 MM (M | 480.00 | 69,295 | 3,32,61,586 | PUC |
| 2009-10 | 20090725 | CHINA P RP | 73043119 | CARBON STEEL SEAMLESS MOTHER PIPES(HOT FINISH)ASTM A106 GRADE B SIZE:(OD X THK | 467.00 | 33,486 | 1,56,38,162 | PUC |
| 2009-10 | 20090727 | CHINA P RP | 73042310 | (HEAVY WEIGHT DRILL PIPE) 5 ODX3 ID,49.3PPF,W/NC50(4-1/2 IF) TOOL JOINT:6-1/2 O | 443.45 | 48,030 | 2,12,98,970 | PUC |
| 2009-10 | 20090703 | CHINA P RP | 73049000 | SEAMLESS CARBON STEEL PIPE API 5L GRADE B STOCK LOT | 431.00 | 32,558 | 1,40,32,604 | PUC |
| 2009-10 | 20090704 | CHINA P RP | 73049000 | SEAMLESS CARBON STEEL PIPES ASTM A 106 GR B | 401.00 | 31,875 | 1,27,81,885 | PUC |
| 2009-10 | 20090715 | SPAIN | 73043911 | SEAMLESS STEEL TUBES SPEC SA 210 | 391.00 | 1,29,733 | 5,07,25,582 | PUC |
| 2009-10 | 20090706 | CHINA P RP | 73042390 | (OILFIELD SEAMLESS CASING & TUBING PIPES) TUBING OD 2 7/8 6.5 PPF X R2, GRADE | 390.27 | 1,93,841 | 7,56,49,975 | PUC |
| 2009-10 | 20090724 | CHINA P RP | 73041190 | CARBON STEEL SEAMLESS HOT FINISHED PIPES ASTM A106/API 5L GR B PSL 1 SIZE 6 INC | 331.00 | 30,993 | 1,02,58,657 | PUC |
| 2009-10 | 20090729 | CHINA P RP | 73041990 | SEAMLESS PIPE 60.3 X 7.1MM X 46.3 LAYER POLYTHYLENE COATED (2501 PCS), EC NO.: | 279.42 | 56,832 | 1,58,79,957 | PUC |
| 2009-10 | 20090727 | CHINA P RP | 73043119 | SEAMLESS STEEL TUBES ACC.TO API 5L/A 106 GR B IBR WITH BV 10 XSCH20 X 5.8M | 244.00 | 34,334 | 83,77,585 | PUC |
| 2009-10 | 20090706 | CHINA P RP | 73042390 | (OILFIELD SEAMLESS CASING & TUBING PIPES) TUBING OD 2 7/8 X 6.5 PPF X R2, GRAD | 238.84 | 1,61,626 | 3,86,03,172 | PUC |
| 2009-10 | 20090708 | CHINA P RP | 73045930 | HOT FINISHED SEAMLESS STEEL TUBES232 MM X 5.4 MM | 228.00 | 51,796 | 1,18,09,467 | PUC |
| 2009-10 | 20090717 | CHINA P RP | 73043119 | SEAMLESS CARBON STEEL PIPES AS PER ASTM A106 GRB SIZE 1 1/2 SCH40*5800MM | 207.00 | 32,676 | 67,63,859 | PUC |
| 2009-10 | 20090722 | RUSSIA | 73042990 | CASING PIPES - GRADE: N80 (9 5/8 X 43.5 PPF X R3, BTC) (ESSENTIAL CERTIFICATE | 204.99 | 57,329 | 1,17,52,036 | PUC |
| 2009-10 | 20090731 | CHINA P RP | 73043119 | SEAMLESS CARBON STEEL LINE PIPES AS PER ASME SA 106 GR.B/API5L PSL 1 GR.B SIZE. | 199.00 | 40,597 | 80,78,748 | PUC |
| 2009-10 | 20090714 | CHINA P RP | 73041910 | SEAMLESS STEEL PIPE ASTM A106GR.B/API5L GR.B 42.5MMX4.85MM | 199.00 | 36,193 | 72,02,308 | PUC |
| 2009-10 | 20090725 | ITALY | 73049000 | SECONDARY SECOND CHOICE CARBON STEEL SEAMLESS PIPES DEFECTIVE/STOCK LOT/MIXED S | 195.00 | 20,383 | 39,74,628 | PUC |
| 2009-10 | 20090718 | CHINA P RP | 73041990 | CASING PIPE 5 21.40 PPF P 110 BTC R3 (6095.11 MTR) DGH CERTIFICATE NO.ECIN20090 | 191.00 | 51,548 | 98,45,736 | PUC |
| 2009-10 | 20090728 | CHINA P RP | 73049000 | SEAMLESS CARBON STEEL PIPES (A106 GR.B) (10 ,12 X SCH 20 X 5 - 7 M) | 191.00 | 41,062 | 78,42,810 | PUC |
| 2009-10 | 20090713 | U K | 73049000 | SECONDARY SECOND CHOICE CARBON STEEL SEAMLESS/WELDED PIPES | 189.00 | 17,233 | 32,56,955 | PUC |
| 2009-10 | 20090713 | ARGENTINA | 73043939 | SEAMLESS STEEL PIPE (GRADE DS-202) O.D 267.00MM X 7.50 MM | 187.67 | 79,459 | 1,49,12,107 | PUC |
| 2009-10 | 20090710 | CHINA P RP | 73045930 | HOT FINISHED SEAMLESS TUBES 267 MM X 6.5 MM | 187.00 | 56,515 | 1,05,68,306 | PUC |
| 2009-10 | 20090709 | CHINA P RP | 73042990 | HOLLOW BARS OF SIZE: 4-3/4 ODX2-1/4 IDX30 FEET LENGTH | 186.56 | 1,01,012 | 1,88,44,825 | PUC |
| 2009-10 | 20090710 | U ARAB EMTS | 73049000 | SECONDARY DEFECTIVE CARBON STEEL SEAMLESS PIPES | 183.00 | 19,593 | 35,85,490 | PUC |
| 2009-10 | 20090728 | FRANCE | 98010013 | 98010013 HOT FINISHED SEAMLESS TUBES TO SPEC SA106 C/S | 182.00 | 2,17,425 | 3,95,71,327 | PUC |

**Import Data from DGCIS [All Countries PUC]
Apr 2009 to Jun 2012**

| Year | Date | Country | ITC-HS | Item-Des | Quantity (MT) | Price (Rs./MT) | Value (Rs) | PUC/ NPUC |
|---------|----------|-------------|----------|---|---------------|----------------|-------------|--------------|
| 2009-10 | 20090716 | U S A | 73049000 | SECONDARY SECOND CHOICE CARBON STEEL SEAMLESS / WELDED PIPES | 181.00 | 17,552 | 31,76,978 | PUC |
| 2009-10 | 20090720 | NETHERLAND | 73049000 | SECONDARY SECOND CHOICE CARBON STEEL SEAMLESS PIPES (MIX LOT) | 174.00 | 20,569 | 35,78,964 | PUC |
| 2009-10 | 20090702 | CHINA P RP | 73043911 | HOT FINISHED SEAMLESS TUBES (SIZE: 139.7MM X 4.5 MM X 5720 MM) | 168.51 | 49,947 | 84,16,332 | PUC |
| 2009-10 | 20090701 | U K | 73049000 | SECONDARY DEFECTIVE NON ALLOY STEEL WIRE RODS | 167.00 | 22,315 | 37,26,659 | PUC |
| 2009-10 | 20090715 | UNSPECIFIED | 73049000 | LINE PIPE WITH 70MM PU FOAM FOR INSULATION ONLY COATING CHARGES EXP INVE EXP-RJ | 166.00 | 10,439 | 17,32,802 | PUC |
| 2009-10 | 20090731 | UKRAINE | 73049000 | CARBON STEEL SEAMLESS PIPE [SECONDARY/DEFECTIVE] | 164.00 | 19,837 | 32,53,304 | PUC |
| 2009-10 | 20090716 | SPAIN | 73043911 | RIFLE TUBES TO SPEC SA 210 | 163.00 | 1,51,610 | 2,47,12,395 | PUC |
| 2009-10 | 20090731 | SWEDEN | 73045110 | SECONDARY AND DEFECTIVE SEAMLESS STEEL TUBES, GRADE: 100CR6THICK XWIDTHXLENGTH | 156.00 | 29,548 | 46,09,558 | PUC |
| 2009-10 | 20090731 | SWEDEN | 73045110 | SECONDARY AND DEFECTIVE SEAMLESS STEEL TUBES, GRADE: 100CR6THICK XWIDTHXLENGTH | 155.00 | 29,631 | 45,92,790 | PUC |
| 2009-10 | 20090731 | GERMANY | 73049000 | CARBON STEEL SEAMLESS PIPE [SECONDARY/DEFECTIVE] | 155.00 | 19,580 | 30,34,900 | PUC |
| 2009-10 | 20090701 | CHINA P RP | 73049000 | CARBON STEEL SEAMLESS PIPES | 154.00 | 35,920 | 55,31,708 | PUC |
| 2009-10 | 20090730 | CHINA P RP | 73045910 | SEAMLESS STEEL PIPES FOR CYLINDERS139.70MM X 4.5MM X 5.480MM | 151.00 | 46,899 | 70,81,722 | PUC |
| 2009-10 | 20090713 | CHINA P RP | 73049000 | CARBON STEEL SEAMLESS PIPE AS PER API-5L/ASTM A106/ A 53 GRB WITH BV-IBR , 5-7 | 150.00 | 34,842 | 52,26,270 | PUC |
| 2009-10 | 20090717 | CHINA P RP | 73045110 | BEARING QUALITY STEEL TUBE SAE-52100 SIZE 72.7 X 6.7 MM | 148.00 | 49,357 | 73,04,806 | PUC |
| 2009-10 | 20090730 | U S A | 73043911 | SECONDARY DEFECTIVE MS SEAMLESS PIPE | 144.00 | 23,822 | 34,30,436 | PUC |
| 2009-10 | 20090727 | U ARAB EMTS | 73049000 | SEAMLESS CARBON STEEL TUBES ASME SA 210 GR.A1(SIZE OD 38.1 X 3.25MM X 11.103 MT | 142.00 | 37,820 | 53,70,459 | PUC |
| 2009-10 | 20090722 | FRANCE | 73042310 | DRILL PIPE 5 56PPF SPIRAL THICK WALL R-II | 141.99 | 2,89,866 | 4,11,58,315 | PUC |
| 2009-10 | 20090703 | U K | 73049000 | CARBON STEEL SECONDARY PIPES | 133.00 | 20,414 | 27,15,103 | PUC |
| 2009-10 | 20090708 | ITALY | 73049000 | SECONDARY / DEFECTIVE CARBON STEEL PIPES MIXED LOT | 130.00 | 15,135 | 19,67,534 | PUC |
| 2009-10 | 20090725 | CHINA P RP | 73045110 | COLD DRAWN SEAMLESS CARBON STEEL TUBES ASTM A 519 SAE 1541/37 MN5 GRADE (SIZE: | 129.00 | 57,184 | 73,76,799 | PUC |
| 2009-10 | 20090708 | ITALY | 73049000 | SECONDARY / DEFECTIVE CARBON STEEL PIPES MIXED LOT | 128.00 | 15,145 | 19,38,546 | PUC |
| 2009-10 | 20090721 | U ARAB EMTS | 73049000 | SECONDARY CARBON STEEL SEAMLESS PIPES,MIXED LOT,MIX SIZES,MIX THICKNESS | 125.00 | 19,712 | 24,63,947 | PUC |
| 2009-10 | 20090709 | CHINA P RP | 73045110 | BEARING QUALITY STEEL TUBE SAE-52100 & SUJ-3 SIZE 43.6 X 9.7MM | 122.00 | 51,773 | 63,16,292 | PUC |
| 2009-10 | 20090729 | CHINA P RP | 73041910 | SEAMLESS STEEL PIPE ASTM A160 GR.B/API 5L GR.B 141.3MMX12.7MMX5800MM | 120.00 | 38,200 | 45,84,007 | PUC |
| 2009-10 | 20090725 | CHINA P RP | 73041990 | DRILL PIPE 088.9MM 13.3PPF G-105 3-1/2 1F EU L EQAUAL TO 9.6M ACCRD TO API 5D-D | 117.00 | 4,39,295 | 5,13,97,500 | PUC |
| 2009-10 | 20090717 | CHINA P RP | 73049000 | SEAMLESS STEEL PIPE- ASTM A106 GRADE B [SIZE: 3/4 SCH80 LENGTH 5.8M] | 117.00 | 34,591 | 40,47,181 | PUC |
| 2009-10 | 20090727 | CHINA P RP | 73043119 | CS SEAMLESS TUBES - 48MM OD X 1.5MM THK X 13750MM LONG (77893.75 MTR) | 115.94 | 65,937 | 76,45,042 | PUC |
| 2009-10 | 20090716 | CHINA P RP | 73049000 | PRIME CARBON STEEL SEAMLESS PIPES GRADE : ASTM A 106 GRADE B | 115.30 | 34,265 | 39,50,618 | PUC |
| 2009-10 | 20090720 | ITALY | 98010013 | PROJECT PIPES (ALLOY STEEL)(S37/8/09)CIF:72447744/- | 113.00 | 6,41,130 | 7,24,47,744 | PUC |
| 2009-10 | 20090701 | U K | 73049000 | SECONDERY DEFECTIVE NON ALLOY BRIGHT BARS | 111.00 | 19,818 | 21,99,810 | PUC |
| 2009-10 | 20090714 | CHINA P RP | 73043919 | SEAMLESS CARBON STEEL PIPES ASTM A106 GR B 24 XSCH 80X5-7M | 111.00 | 42,354 | 47,01,284 | PUC |
| 2009-10 | 20090710 | U ARAB EMTS | 73049000 | CARBON STEEL SEAMLESS PIPES STOCK LOT | 108.00 | 22,296 | 24,07,961 | PUC |
| 2009-10 | 20090720 | U ARAB EMTS | 73049000 | SECONDARY SECOND CHOICE CARBON STEEL SEAMLESS PIPES DEFECTIVE / STOCK LOT / MI | 108.00 | 20,382 | 22,01,226 | PUC |
| 2009-10 | 20090709 | CHINA P RP | 73041110 | SEAMLESS STEEL TUBES (34CRM 04 OD:267.00MM WT:6.30MM)LENGTH:1200MM (SINGLE MULT | 108.00 | 61,054 | 65,93,874 | PUC |
| 2009-10 | 20090720 | U ARAB EMTS | 73049000 | SECONDARY SECOND CHOICE CARBON STEEL SEAMLESS PIPES DEFECTIVE / STOCK LOT / MI | 106.00 | 20,357 | 21,57,794 | PUC |
| 2009-10 | 20090713 | U ARAB EMTS | 73049000 | SECONDARY/DEFECTIVE CARBON STEELSEAMLESS & WELDED PIPES | 106.00 | 17,820 | 18,88,946 | PUC |
| 2009-10 | 20090717 | U ARAB EMTS | 73049000 | SECONDARY DEFECTIVE CARBON STEEL SEAMLESS PIPES MIXED LOT MIX SIZES, MIX THICKN | 103.00 | 19,755 | 20,34,754 | PUC |
| 2009-10 | 20090730 | KUWAIT | 73049000 | SECONDARY CARBON STEEL PIPES SEAMLESS | 103.00 | 18,463 | 19,01,673 | PUC |
| 2009-10 | 20090729 | CHINA P RP | 73069090 | C.S. PIPE SEAMLESS (SIZES AS PER ATTACHED PACKING LIST) | 103.00 | 46,363 | 47,75,440 | PUC |
| 2009-10 | 20090720 | UNSPECIFIED | 73043129 | PROCESSED TUBES | 102.41 | 47,446 | 48,58,900 | PUC |
| 2009-10 | 20090731 | SWEDEN | 73045110 | SECONDARY AND DEFECTIVE SEAMLESS STEEL TUBES, GRADE: 100CR6THICK XWIDTHXLENGTH | 102.00 | 30,350 | 30,95,711 | PUC |

**Import Data from DGCIS [All Countries PUC]
Apr 2009 to Jun 2012**

| Year | Date | Country | ITC-HS | Item-Des | Quantity (MT) | Price (Rs./MT) | Value (Rs) | PUC/ NPUC |
|---------|----------|-------------|----------|---|---------------|----------------|-------------|--------------|
| 2009-10 | 20090730 | CHINA P RP | 73041990 | C.S.SEAMLESS LINE PIPES (ASTM A106/A53/API 5L GRB) | 102.00 | 36,621 | 37,35,364 | PUC |
| 2009-10 | 20090715 | GERMANY | 73049000 | CARBON STEEL SECONDARY STEEL PIPE | 101.00 | 20,975 | 21,18,483 | PUC |
| 2009-10 | 20090704 | U ARAB EMTS | 73049000 | SECONDARY SECOND CHOICE CARBON STEEL SEAMLESS / WELDED PIPES | 101.00 | 17,469 | 17,64,402 | PUC |
| 2009-10 | 20090723 | JAPAN | 73049000 | SECONDARY CARBON STEEL SEAMLESS PIPE | 100.00 | 19,800 | 19,80,028 | PUC |
| 2009-10 | 20090703 | GERMANY | 73049000 | CARBON STEEL SEAMLESS PIPE SECONDARY/DEFECTIVE | 99.00 | 20,441 | 20,23,704 | PUC |
| 2009-10 | 20090727 | CHINA P RP | 73049000 | CARBON STEEL SEAMLESS PIPES CONFIRMING TO DIN 17175, ST35.8SIZE 1 INCHE SCH 40 | 99.00 | 40,991 | 40,58,119 | PUC |
| 2009-10 | 20090729 | CHINA P RP | 73043919 | SEAMLESS MOTHER TUBES TO DIN17175 ST35.8(CARBON/NON ALLOY STEEL TUBES)(SIZE27. | 98.82 | 38,565 | 38,10,946 | PUC |
| 2009-10 | 20090731 | CHINA P RP | 73041190 | CARBON STEEL TUBES ASME SA179 SIZE (MM) 20.00 OD X 2.00 WT X 6750 LG | 98.76 | 78,673 | 77,69,637 | PUC |
| 2009-10 | 20090703 | GERMANY | 73049000 | SECONDARY CARBON STEEL SEAMLESS PIPE | 98.00 | 19,732 | 19,33,732 | PUC |
| 2009-10 | 20090709 | GERMANY | 73049000 | CARBON STEEL SECONDARY PIPES | 94.00 | 20,302 | 19,08,365 | PUC |
| 2009-10 | 20090727 | U ARAB EMTS | 73049000 | SECONDARY CARBON STEEL SEAMLESS PIPE MIXED LOT,MIX SIZES MIXTHICKNESS | 94.00 | 18,216 | 17,12,261 | PUC |
| 2009-10 | 20090718 | CHINA P RP | 73041910 | C.S SEAMLESS STEEL PIPES | 94.00 | 41,268 | 38,79,191 | PUC |
| 2009-10 | 20090714 | CHINA P RP | 73045110 | BEARING QUALITY STEEL TUBE SAE-52100 SIZE 90.25 X 75.79 MM | 92.00 | 52,985 | 48,74,647 | PUC |
| 2009-10 | 20090706 | CHINA P RP | 73041990 | DRILL PIPE 3 1/2 X 13.3 IB/FT(WALL THICKNESS 9.35 MM)GRADEG EU TOOL JOINT DETA | 91.75 | 5,60,210 | 5,13,97,500 | PUC |
| 2009-10 | 20090727 | CHINA P RP | 73061921 | PIPE,B-36,10,ASTM A 106 GR.B ,BE,SEAMLESS,NACE,10.0 INCH,XS | 91.63 | 37,566 | 34,42,175 | PUC |
| 2009-10 | 20090730 | CHINA P RP | 73041190 | CARBON STEEL TUBES ASME SA 179 SIZE : (MM) 20.00 OD X 2.00 WT X 6750 LG | 90.81 | 76,912 | 69,84,184 | PUC |
| 2009-10 | 20090728 | SAUDI ARAB | 73049000 | SECONDARY SECOND CARBON STEEL SEAMLESS/WELDED PIPE FITTINGS MIXED LOT | 86.00 | 14,937 | 12,84,542 | PUC |
| 2009-10 | 20090723 | CHINA P RP | 73069090 | SEAMLESS STEEL TUBES - 37.9MM*28.5MM(BEARING QUALITY) | 84.48 | 61,813 | 52,21,861 | PUC |
| 2009-10 | 20090714 | KUWAIT | 73042990 | M.S. OLD AND REJECTED PIPES | 83.00 | 20,591 | 17,09,016 | PUC |
| 2009-10 | 20090720 | U K | 73049000 | SECONDARY SECOND CHOICE CARBON STEEL SEAMLESS / WELDED PIPES | 81.00 | 17,151 | 13,89,259 | PUC |
| 2009-10 | 20090716 | CHINA P RP | 73041110 | CARBON STEEL SEAMLESS PIPES ASTM A106 GR.B88.9MM X 5.49MM X 5800M | 80.00 | 37,125 | 29,69,983 | PUC |
| 2009-10 | 20090717 | ITALY | 73049000 | SECONDARY / DEFECTIVE CARBON STEEL PIPES MIXED LOT | 79.00 | 15,098 | 11,92,719 | PUC |
| 2009-10 | 20090728 | CHINA P RP | 73045110 | BEARING QUALITY STEEL TUBE SAE-52100 AND SUJ-3 SIZE 62.7 X 4.85 MM | 79.00 | 54,315 | 42,90,863 | PUC |
| 2009-10 | 20090720 | CHINA P RP | 73041190 | CARBON STEEL TUBES ASME SA 179 SIZE (MM) 25.00 OD X 2.50 WT X 6000 LG | 78.50 | 72,071 | 56,57,887 | PUC |
| 2009-10 | 20090715 | JAPAN | 73062919 | SECONDARY DEFECTIVE M.S. PIPES OF MIXED SIZES | 78.00 | 18,658 | 14,55,327 | PUC |
| 2009-10 | 20090731 | CHINA P RP | 73049000 | HOT FINISHED SEAMLESS STEEL TUBE GRADE.CHROMIUM MOLYBDENUM STEEL (34CRM04) | 78.00 | 61,474 | 47,94,976 | PUC |
| 2009-10 | 20090730 | CHINA P RP | 73045920 | SEAMLESS STEEL PIPES FOR CYLINDERS139.70MM X 4.5MM X 5.480MM | 77.00 | 46,625 | 35,90,146 | PUC |
| 2009-10 | 20090703 | U K | 73049000 | SECONDARY SURPLUS CARBON STEEL PIPES | 76.00 | 20,075 | 15,25,683 | PUC |
| 2009-10 | 20090717 | CHINA P RP | 73049000 | SEAMLESS STEEL PIPE- ASTM A106 GRADE B [SIZE:1 SCH160 LENGTH 5.8M] | 75.00 | 34,616 | 25,96,171 | PUC |
| 2009-10 | 20090702 | CANADA | 73049000 | SECONDERY DEFECTIVE NON ALLOY BRIGHT BARS IN ROUND HEX SQUARE SHAPES | 71.00 | 21,355 | 15,16,236 | PUC |
| 2009-10 | 20090718 | CHINA P RP | 73041910 | C.S. SEAMLESS STEEL PIPES | 71.00 | 41,373 | 29,37,455 | PUC |
| 2009-10 | 20090708 | CHINA P RP | 73043911 | CARBON STEEL SEAMLESS MOTHER PIPE (HOT FINISHED)28 X 3.00 X 9000 MM (STC 202 PC | 69.00 | 42,541 | 29,35,295 | PUC |
| 2009-10 | 20090706 | CHINA P RP | 73043119 | CS SEAMLESS TUBES - 48MM OD X 1.5MM THK X 13750MM LONG (40040 MTR) | 68.87 | 65,455 | 45,07,904 | PUC |
| 2009-10 | 20090725 | CHINA P RP | 73045110 | COLD DRAWN SEAMLESS CARBON STEEL TUBES ASTM A519 GRADE SAE 1040 (SIZE: 35.75X2. | 68.00 | 57,267 | 38,94,162 | PUC |
| 2009-10 | 20090730 | CHINA P RP | 73045910 | SEAMLESS STEEL PIPES FOR CYLINDERS139.70MM X 4.5MM X 5.480MM | 68.00 | 47,157 | 32,06,701 | PUC |
| 2009-10 | 20090704 | CHINA P RP | 73049000 | CARBON STEEL SEAMLESS PIPES | 64.00 | 37,091 | 23,73,848 | PUC |
| 2009-10 | 20090729 | CHINA P RP | 73041990 | SEAMLESS PIPE 114.3 X 7.9MM X 46.3 LAYER POLYTHYLENE COATED (256 PCS), EC NO.: | 63.70 | 54,951 | 35,00,507 | PUC |
| 2009-10 | 20090722 | CHINA P RP | 73043911 | CARBON STEEL SEAMLESS PIPE 610X10X6800-7000MM | 63.00 | 36,107 | 22,74,735 | PUC |
| 2009-10 | 20090731 | CHINA P RP | 73045110 | BEARING QUALITY STEEL TUBE SAE-52100, 6304 OR , 52.17 X 42.01 MM | 62.69 | 46,623 | 29,22,782 | PUC |
| 2009-10 | 20090727 | CHINA P RP | 73049000 | CARBON STEEL SEAMLESS PIPES AS PER API5LGR.B/ASTM A 106 GR.B, BEVELLED ENDS | 62.47 | 36,712 | 22,93,503 | PUC |
| 2009-10 | 20090723 | CHINA P RP | 73042990 | 9 5/8 47# P110 BTC SMLS R3 (891.20 MTR @ \$ 97.90/MTR) (OIL FIELD EQUIPMENT) | 62.33 | 68,519 | 42,70,813 | PUC |

**Import Data from DGCIS [All Countries PUC]
Apr 2009 to Jun 2012**

| Year | Date | Country | ITC-HS | Item-Des | Quantity (MT) | Price (Rs./MT) | Value (Rs) | PUC/ NPUC |
|---------|----------|-------------|----------|---|---------------|----------------|------------|--------------|
| 2009-10 | 20090715 | CHINA P RP | 73043119 | CDS MEDIUM CARBON STEEL TUBES CONF.TO SPECN SA 210 GRADE A1 (SIZE : 63.5 X 4.88 | 61.29 | 33,981 | 20,82,553 | PUC |
| 2009-10 | 20090731 | CHINA P RP | 73043911 | SEAMLESS CARBON STEEL HOLLOWES SPEC SA-210 | 60.00 | 37,227 | 22,33,643 | PUC |
| 2009-10 | 20090725 | RUSSIA | 73042990 | CASING PIPES - GRADE:L80 (9 5/8 X 47 PPF X R3, BC) - ESSENTIAL CERTIFICATE NO. | 59.73 | 65,661 | 39,21,618 | PUC |
| 2009-10 | 20090716 | CHINA P RP | 73041990 | TUBE 51 X 5.6MM THK., (UNIT LENGTH: 6 METER) | 55.36 | 66,547 | 36,83,899 | PUC |
| 2009-10 | 20090724 | U K | 73049000 | SECONDARY SURPLUS CARBON STEEL SEAMLESS PIPE. | 54.00 | 20,107 | 10,85,760 | PUC |
| 2009-10 | 20090715 | U ARAB EMTS | 73049000 | MILD STEEL DEFECTIVE SEAMLESS PIPE | 52.00 | 20,295 | 10,55,355 | PUC |
| 2009-10 | 20090713 | JAPAN | 73069090 | SECONDARY / DEFECTIVE M.S. PIPES | 52.00 | 20,148 | 10,47,697 | PUC |
| 2009-10 | 20090708 | SAUDI ARAB | 73049000 | SECONDARY SECOND CARBON STEEL SEAMLESS/WELDED PIPES MIXED THICKNESS MIXED LOT | 52.00 | 15,098 | 7,85,081 | PUC |
| 2009-10 | 20090713 | CHINA P RP | 73041190 | CARBON SEAMLESS STEEL PIPES (219MMX25MMX8-10M) | 52.00 | 39,802 | 20,69,679 | PUC |
| 2009-10 | 20090727 | CHINA P RP | 73043119 | CARBON STEEL SEAMLESS LINE PIPES API 5L GR.B/ASTM A106 GR.BNO VARNISH NO BEVELD | 52.00 | 33,007 | 17,16,372 | PUC |
| 2009-10 | 20090715 | CHINA P RP | 73049000 | COLD ROLLED STEEL TUBES 30.25*3.15*564 MM | 51.07 | 60,840 | 31,07,297 | PUC |
| 2009-10 | 20090716 | JAPAN | 73049000 | SEAMLESS CARBON STEEL PIPES | 51.00 | 39,863 | 20,33,020 | PUC |
| 2009-10 | 20090729 | U ARAB EMTS | 73049000 | CARBON STEEL PIPES (SECONDARY/DEFECTIVE) | 51.00 | 21,257 | 10,84,089 | PUC |
| 2009-10 | 20090723 | U ARAB EMTS | 73049000 | CARBON STEEL PIPE (SECONDARY/DEFECTIVE) | 51.00 | 21,043 | 10,73,218 | PUC |
| 2009-10 | 20090703 | U K | 73049000 | CARBON STEEL SEAMLESS PIPE SECONDARY/DEFECTIVE | 51.00 | 20,407 | 10,40,742 | PUC |
| 2009-10 | 20090729 | U ARAB EMTS | 73049000 | CARBON STEEL PIPES (SECONDARY/DEFECTIVE) | 50.00 | 21,306 | 10,65,275 | PUC |
| 2009-10 | 20090720 | U ARAB EMTS | 73049000 | CARBON STEEL PIPES (SECONDARY DEFECTIVE) | 50.00 | 21,159 | 10,57,958 | PUC |
| 2009-10 | 20090710 | ITALY | 73049000 | SECONDARY / DEFECTIVE CARBON STEEL PIPES MIXED LOT | 50.00 | 15,206 | 7,60,321 | PUC |
| 2009-10 | 20090724 | CHINA P RP | 73049000 | CARBON STEEL COLD DRAWN SEAMLESS TUBES DIN 17175 ST 35.8 IBR WITH BV | 50.00 | 43,967 | 21,98,347 | PUC |
| 2009-10 | 20090725 | CHINA P RP | 73049000 | COLD DRAWN CARBON STEEL SEAMLESS TUBE OD:42MM X WIDTH 4.5MMX LENGTH:11-11.8M (G | 50.00 | 40,021 | 20,01,044 | PUC |
| 2009-10 | 20090728 | CHINA P RP | 73049000 | COLD DRAWN SEAMLESS PIPES SAE 1040 CDS 5 SIZE 70 MM X 8.73 MM X 5650 MM | 50.00 | 38,181 | 19,09,050 | PUC |
| 2009-10 | 20090714 | CHINA P RP | 73041110 | CARBON STEEL SEAMLESS TUBES SA 210 GR A1 38.1X2.9X6290 | 49.00 | 42,516 | 20,83,305 | PUC |
| 2009-10 | 20090731 | CHINA P RP | 73049000 | CARBON STEEL SEAMLESS PIPE AS API 5L/A106/A53 GRB, | 49.00 | 28,817 | 14,12,055 | PUC |
| 2009-10 | 20090730 | AUSTRALIA | 73042200 | ROD HQ 3.0M ENHANCED - ESSENTIAL CERTIFICATE NO.ECIN200907160042 DTD.16/07/2009 | 47.50 | 98,106 | 46,60,035 | PUC |
| 2009-10 | 20090727 | ITALY | 73049000 | OILWELL EQUIPMENT : PRODUCTION TUBING-SMLS PIPE 400 NB SCH 80 A 106 GR B,SPEC D | 47.08 | 1,15,636 | 54,43,682 | PUC |
| 2009-10 | 20090713 | CHINA P RP | 73043911 | CARBON STEEL SEAMLESS PIPE (HOT FINISHED)8 SCH 40 5 TO 7 M | 46.00 | 29,768 | 13,69,318 | PUC |
| 2009-10 | 20090706 | ITALY | 73049000 | SECONDARY CARBON STEEL SEAMLESS PIPES MIX LOT | 45.00 | 22,533 | 10,13,972 | PUC |
| 2009-10 | 20090729 | U ARAB EMTS | 73049000 | CARBON STEEL PIPES (SECONDARY/DEFECTIVE) | 45.00 | 21,257 | 9,56,573 | PUC |
| 2009-10 | 20090731 | U ARAB EMTS | 73049000 | SECONDARY CARBON STEEL SEAMLESS WELDED PIPES MIXED LOT MIX SIZES MIX THICKNESS | 45.00 | 18,377 | 8,26,971 | PUC |
| 2009-10 | 20090713 | CHINA P RP | 73041190 | CARBON STEEL SEAMLESS MOTHER HOT FINISH PIPES - ASTM A106 GR - B (SIZE - 60.3 M | 45.00 | 37,512 | 16,88,041 | PUC |
| 2009-10 | 20090731 | U ARAB EMTS | 73049000 | SECONDARY CARBON STEEL SEAMLESS WELDED PIPES MIXED LOT MIX SIZES MIX THICKNESS | 44.00 | 18,260 | 8,03,426 | PUC |
| 2009-10 | 20090716 | U S A | 73049000 | M.S SECONDARY DEFECTIVE MIXED SEAMLESS PIPES | 43.00 | 28,348 | 12,18,975 | PUC |
| 2009-10 | 20090731 | U ARAB EMTS | 73049000 | SECONDARY CARBON STEEL SEAMLESS WELDED PIPES MIXED LOT MIXSIZES MIX THICKNESS | 43.00 | 18,145 | 7,80,243 | PUC |
| 2009-10 | 20090731 | U ARAB EMTS | 73049000 | SECONDARY CARBON STEEL SEAMLESS WELDED PIPES MIXED LOT MIXSIZES MIX THICKNESS | 42.00 | 18,344 | 7,70,463 | PUC |
| 2009-10 | 20090724 | CHINA P RP | 73041910 | ASTM A 106 GRADE B C.S.SEAMLESS STEEL PIPES:- OD(MM) 273.00/ WALL THK(MM) 15.0 | 42.00 | 44,566 | 18,71,786 | PUC |
| 2009-10 | 20090714 | CHINA P RP | 73049000 | COLD ROLLED PRECISION STEEL TUBE 30.25*3.15*349.3MM | 41.34 | 91,882 | 37,98,501 | PUC |
| 2009-10 | 20090710 | JAPAN | 73049000 | MILD STEEL SEAMLESS STEEL PIPES (STOCK LOT) | 41.00 | 36,610 | 15,01,009 | PUC |
| 2009-10 | 20090727 | U S A | 73043911 | SECONDARY DEFECTIVE MS SEAMLESS PIPE | 41.00 | 21,979 | 9,01,148 | PUC |
| 2009-10 | 20090727 | U ARAB EMTS | 73043911 | M.S.SECONDARY & DEFECTIVE SEAMLESS PIPES | 41.00 | 19,628 | 8,04,760 | PUC |
| 2009-10 | 20090721 | CHINA P RP | 73041990 | SECONDARY DEFECTIVE SEAMLESS PIPE | 41.00 | 20,184 | 8,27,546 | PUC |
| 2009-10 | 20090710 | CHINA P RP | 73045930 | HOT FINISHED SEAMLESS TUBES 267 MM X 6.5 MM | 40.00 | 57,365 | 22,94,610 | PUC |

**Import Data from DGCIS [All Countries PUC]
Apr 2009 to Jun 2012**

| Year | Date | Country | ITC-HS | Item-Des | Quantity (MT) | Price (Rs./MT) | Value (Rs) | PUC/ NPUC |
|---------|----------|-------------|----------|---|---------------|----------------|------------|--------------|
| 2009-10 | 20090721 | CHINA P RP | 73041990 | COLD DRAWN SEAMLESS CARBON STEEL PIPES AS PER ASTM A106 GRB 114.3X5X3050MM | 35.00 | 33,840 | 11,84,416 | PUC |
| 2009-10 | 20090729 | CHINA P RP | 73045110 | COLD DRAWN SEAMLESS TUBES ASME SA 106 GR. B IBR WITH BV (88.9MM X 5.49MM X 5800 | 29.00 | 37,941 | 11,00,298 | PUC |
| 2009-10 | 20090727 | ITALY | 73043129 | SEAMLESS COLD DRAWN TUBES FOR MFG HYD CYLINDERS (160X12.50MM) | 28.56 | 96,361 | 27,52,541 | PUC |
| 2009-10 | 20090720 | U ARAB EMTS | 73049000 | CARBON STEEL PIPES (SECONDARY DEFECTIVE) | 27.00 | 21,663 | 5,84,898 | PUC |
| 2009-10 | 20090703 | U K | 73049000 | CARBON STEEL SECONDARY PIPES | 27.00 | 20,307 | 5,48,299 | PUC |
| 2009-10 | 20090702 | CHINA P RP | 73043911 | HOT FINISHED SEAMLESS TUBES (SIZE: 139.7MM X 4.5 MM X 5720 MM) | 26.88 | 49,947 | 13,42,570 | PUC |
| 2009-10 | 20090721 | AUSTRALIA | 73042310 | USED/OLD MILD STEEL TUBING & CASING CUT PIPES DIMENSION & CONDITION:114.3MM ODX | 26.00 | 31,797 | 8,26,715 | PUC |
| 2009-10 | 20090714 | U ARAB EMTS | 73049000 | CARBON STEEL SEAMLESS PIPES STOCK LOT | 26.00 | 22,516 | 5,85,417 | PUC |
| 2009-10 | 20090709 | U K | 73049000 | SECONDARY SURPLUS CARBON STEEL PIPES | 26.00 | 20,394 | 5,30,236 | PUC |
| 2009-10 | 20090721 | CHINA P RP | 73042990 | SEAMLESS STEEL PIPE API 5L GRADE B 219.1MMX18.26MM | 26.00 | 41,123 | 10,69,201 | PUC |
| 2009-10 | 20090715 | CHINA P RP | 73045110 | BEARING QUALITY STEEL TUBES- SAE 52100 SIZE 55.8 X 7.7 | 25.98 | 58,740 | 15,26,006 | PUC |
| 2009-10 | 20090711 | CHINA P RP | 73043911 | SEAMLESS HOLLOW TUBES (GB3087-1999 (SAE 1010) SIZE 51 X 5.5 (L< 5000 MM) | 25.11 | 40,451 | 10,15,798 | PUC |
| 2009-10 | 20090723 | U ARAB EMTS | 73049000 | CARBON STEEL PIPE SECONDARY/DEFECTIVE | 25.00 | 21,540 | 5,38,491 | PUC |
| 2009-10 | 20090722 | U ARAB EMTS | 73049000 | SECONDARY SECOND ORDER SEAMLESS/WELDED PIPE CARBON STEEL | 25.00 | 17,672 | 4,41,794 | PUC |
| 2009-10 | 20090711 | SAUDI ARAB | 73049000 | SECONDARY SECOND CARBON STEEL SEAMLESS WELDED PIPES MIXED THICKNESS MIXED LOT) | 25.00 | 15,400 | 3,84,992 | PUC |
| 2009-10 | 20090725 | CHINA P RP | 73041990 | SEAMLESS CARBON STEEL PIPE PRIME(CS PIPE 4 INCH API5LB SCH40) | 25.00 | 37,596 | 9,39,893 | PUC |
| 2009-10 | 20090725 | CHINA P RP | 73041990 | SEAMLESS CARBON STEEL PIPE PRIME(CS PIPE 4 INCH API5LB SCH40) | 25.00 | 37,596 | 9,39,893 | PUC |
| 2009-10 | 20090725 | CHINA P RP | 73041990 | SEAMLESS CARBON STEEL PIPE PRIME(CS PIPE 1 INCH API 5LB SCH 40] | 25.00 | 36,827 | 9,20,671 | PUC |
| 2009-10 | 20090725 | CHINA P RP | 73041990 | SEAMLESS CARBON STEEL PIPE PRIME (CS PIPE 4 INCH API 5LB SCH 40) | 25.00 | 35,351 | 8,83,763 | PUC |
| 2009-10 | 20090721 | CHINA P RP | 73043139 | SEAMLESS CARBON STEEL TUBE (133X4X6000MM 10 BUNDLES / 165 PCS) | 25.00 | 31,935 | 7,98,383 | PUC |
| 2009-10 | 20090710 | CHINA P RP | 73043119 | CARBON STEEL SEAMLESS LINE PIPES API 5L GR. B/ASTM A 106 GR. B 6 X SCH 40 NOT | 25.00 | 30,758 | 7,68,943 | PUC |
| 2009-10 | 20090702 | ITALY | 73049000 | SECONDARY DEFECTIVE M.S.PIPES SEAMLESS & WELDED | 24.00 | 17,754 | 4,26,085 | PUC |
| 2009-10 | 20090702 | ITALY | 73049000 | SECONDARY DEFECTIVE M.S.PIPES SEAMLESS & WELDED | 24.00 | 17,275 | 4,14,606 | PUC |
| 2009-10 | 20090721 | CHINA P RP | 73042990 | SEAMLESS STEEL PIPE API 5L GRADE B 219.1MMX15.09MM | 24.00 | 48,606 | 11,66,546 | PUC |
| 2009-10 | 20090720 | CHINA P RP | 73049000 | CARBON STEEL SEAMLESS TUBES AS PER DIN 1629 ST52 (OILED SURFACE) SIZE 50 MM X 6 | 24.00 | 37,898 | 9,09,559 | PUC |
| 2009-10 | 20090727 | CHINA P RP | 73041990 | SEAMLESS CARBON STEEL PIPE PRIME (CS PIPE 6 INCH API 5LB, SCH 40) | 24.00 | 36,659 | 8,79,825 | PUC |
| 2009-10 | 20090727 | CHINA P RP | 73041990 | SEAMLESS CARBON STEEL PIPE PRIME (CS PIPE 6 INCH API 5LB, SCH 40) | 24.00 | 36,553 | 8,77,266 | PUC |
| 2009-10 | 20090727 | CHINA P RP | 73041990 | SEAMLESS CARBON STEEL PIPE PRIME (CS PIPE 6 INCH API 5LB, SCH 40) | 24.00 | 36,553 | 8,77,266 | PUC |
| 2009-10 | 20090728 | CHINA P RP | 73041990 | SEAMLESS CARBON STEEL PIPE PRIME (CS PIPE 6 INCH API 5LB, SCH 40) | 24.00 | 36,553 | 8,77,266 | PUC |
| 2009-10 | 20090721 | CHINA P RP | 73045110 | BEARING QUALITY STEEL TUBES SAE 52100 38.6X4.0 | 23.66 | 58,740 | 13,90,023 | PUC |
| 2009-10 | 20090720 | CHINA P RP | 73049000 | C,S,SEAMLESS PIPE | 23.47 | 39,551 | 9,28,309 | PUC |
| 2009-10 | 20090703 | U K | 73049000 | CARBON STEEL SECONDARY PIPES | 23.00 | 20,348 | 4,68,009 | PUC |
| 2009-10 | 20090724 | CHINA P RP | 73049000 | COLD DRAWN SEAMLESS CARBON STEEL TUBES(21.4X2.50X5100-5800MM) | 23.00 | 44,453 | 10,22,408 | PUC |
| 2009-10 | 20090731 | CHINA P RP | 73043119 | SEAMLESS STEEL TUBES ACC TO API 5L/A 106 GR B IBR WITH BV 6 XSCH40 | 23.00 | 38,493 | 8,85,330 | PUC |
| 2009-10 | 20090713 | CHINA P RP | 73043911 | CARBON STEEL SEAMLESS PIPE (HOT FINISHED)63.5*5.2*4000-7000 MM STC 378 PCS | 23.00 | 38,301 | 8,80,913 | PUC |
| 2009-10 | 20090702 | ITALY | 73049000 | SECONDARY DEFECTIVE M.S.PIPES SEAMLESS & WELDED | 22.00 | 17,810 | 3,91,820 | PUC |
| 2009-10 | 20090713 | CHINA P RP | 73042910 | 4.76 MM*0.65MM SINGLE SIDE COPPER COATED STEEL TUBE | 22.00 | 52,299 | 11,50,584 | PUC |
| 2009-10 | 20090728 | CHINA P RP | 73045110 | BEARING QUALITY STEEL TUBE SAE-52100 SIZE:25.1 X 4.4MM | 22.00 | 48,314 | 10,62,918 | PUC |
| 2009-10 | 20090717 | CHINA P RP | 73043119 | CARBON STEEL RIFFLE TUBES 57.15MM X 7.62MM X 6100MM | 21.75 | 54,633 | 11,88,432 | PUC |
| 2009-10 | 20090724 | U ARAB EMTS | 73049000 | SECONDARY/ DEFECTIVE CARBON STEEL PIPES MIXED LOT. | 21.00 | 15,098 | 3,17,052 | PUC |
| 2009-10 | 20090710 | CHINA P RP | 73043119 | SAE52100 COLD REDUCED SPHERODIZED ANNEALED SEAMLESS TUBES OD. WALL THICKNESS 30 | 21.00 | 59,355 | 12,46,463 | PUC |

**Import Data from DGCIS [All Countries PUC]
Apr 2009 to Jun 2012**

| Year | Date | Country | ITC-HS | Item-Des | Quantity (MT) | Price (Rs./MT) | Value (Rs) | PUC/ NPUC |
|---------|----------|-------------|----------|---|---------------|----------------|------------|--------------|
| 2009-10 | 20090717 | CHINA P RP | 73045110 | BEARING QUALITY STEEL TUBE SAE-52100 SIZE 25.1 X 4.4MM | 21.00 | 48,137 | 10,10,873 | PUC |
| 2009-10 | 20090718 | CHINA P RP | 73041190 | SEAMLESS STEEL PIPES ACC TO ASTM A 106 GRB OD 219.1X12.7MM | 21.00 | 39,130 | 8,21,736 | PUC |
| 2009-10 | 20090715 | CHINA P RP | 73041110 | SEAMLESS PIPES /TUBES (OD)2 X(W/T)SCH80X5800MM (MILD STEEL) | 21.00 | 24,584 | 5,16,254 | PUC |
| 2009-10 | 20090711 | CHINA P RP | 73045110 | COLD DRAWN SEAMLESS CARBON STEEL TUBES GRADE 37 MN5 (SIZE: 114.30 X 4.80 X 2905 | 20.00 | 51,781 | 10,35,611 | PUC |
| 2009-10 | 20090725 | CHINA P RP | 73043119 | SINGLE WALL STEEL TUBE ZN COATED (SIZE:4.76MMX T 0.7MMX PIPE) (280000M) | 19.04 | 59,907 | 11,40,633 | PUC |
| 2009-10 | 20090727 | JAPAN | 73045120 | ALLOY STEEL SEAMLESS PIPES | 19.00 | 80,008 | 15,20,161 | PUC |
| 2009-10 | 20090728 | CHINA P RP | 73045110 | BEARING QUALITY STEEL TUBE SAE-52100 SIZE 19.15 X 3.95 MM | 19.00 | 54,527 | 10,36,015 | PUC |
| 2009-10 | 20090725 | CHINA P RP | 73049000 | CARBON STEEL SEAMLESS PIPES | 19.00 | 39,503 | 7,50,556 | PUC |
| 2009-10 | 20090727 | CHINA P RP | 73043119 | CARBON STEEL SEAMLESS PIPE ASTM A106 GR-B | 19.00 | 33,455 | 6,35,650 | PUC |
| 2009-10 | 20090723 | CHINA P RP | 73043939 | HYDRAULIC CYLINDER HONED TUBE - 93*80 | 18.43 | 92,494 | 17,05,047 | PUC |
| 2009-10 | 20090706 | CHINA P RP | 73041190 | CARBON STEEL SEAMLESS PIPE (48.3 MM X 3.68 MM) | 18.00 | 37,045 | 6,66,816 | PUC |
| 2009-10 | 20090713 | CHINA P RP | 73049000 | SEAMLESS PIPE | 17.80 | 47,804 | 8,50,869 | PUC |
| 2009-10 | 20090727 | CHINA P RP | 73043119 | CS SEAMLESS TUBES - 48MM OD X 1.5MM THK X 13750MM LONG (77893.75 MTR) | 17.06 | 65,937 | 11,24,628 | PUC |
| 2009-10 | 20090728 | U ARAB EMTS | 73049000 | MS SECONDARY DEFECTIVE PIPES | 17.00 | 17,794 | 3,02,499 | PUC |
| 2009-10 | 20090728 | CHINA P RP | 73045110 | COLD DRAWN SEAMLESS CARBON STEEL TUBES PLAIN ENDS (SIZE: OD 66.8MM X ID 51MM) | 17.00 | 88,369 | 15,02,276 | PUC |
| 2009-10 | 20090724 | CHINA P RP | 73043939 | NON ALLOY SEAMLESS STEEL TUBES CARBON CONTENT UPTO 0.60 (51.47 OD X 38.03 ID)GR | 16.00 | 51,734 | 8,27,744 | PUC |
| 2009-10 | 20090723 | CHINA P RP | 73043139 | HYDRAULIC CYLINDER TUBE SIZE : 76 X 63 MM (READY TO HONED) | 15.03 | 96,980 | 14,58,020 | PUC |
| 2009-10 | 20090727 | AUSTRIA | 73041190 | DOUBLE BOTTOM M.S. SEAMLESS STEEL PIPES (FOR FUEL OIL CARGO SYSTEM) SIZE:168,3 | 15.00 | 1,01,292 | 15,19,387 | PUC |
| 2009-10 | 20090729 | CHINA P RP | 73042390 | EXTERNAL UPSETED DRILL PIPE CONFIRMING API 5D, GRADE E-75, 3 - 1/2 OD (88.9 MM | 15.00 | 1,47,850 | 22,17,756 | PUC |
| 2009-10 | 20090724 | CHINA P RP | 73049000 | COLD DRAWN SEAMLESS CARBON STEEL TUBES(15.88X1.60X5100-5800MM) | 14.00 | 48,875 | 6,84,243 | PUC |
| 2009-10 | 20090720 | CHINA P RP | 73041990 | CARBON STEEL SEAMLESS LINE PIPES SECONDARY / EX-STOCK | 14.00 | 21,617 | 3,02,632 | PUC |
| 2009-10 | 20090730 | GERMANY | 73043119 | SEAMLESS ALLOY STEEL BOILER, SUPERHEATER AND HEAT EXCHANGER TUBES (SIZE: 25,00 | 13.64 | 1,75,817 | 23,97,270 | PUC |
| 2009-10 | 20090703 | GERMANY | 73041910 | 1422425 / 03MT-CDS-00618-08 AIRFREE SEAMLESS P+P-HIGHPRESSURE STEEL TUBES (OD-6 | 13.14 | 1,72,360 | 22,64,810 | PUC |
| 2009-10 | 20090721 | JAPAN | 73049000 | SEAMLESS PIPES (SA106 GR.B) (12 OD X SCH60) (C S NACE PIPES) | 13.00 | 1,03,757 | 13,48,847 | PUC |
| 2009-10 | 20090708 | GERMANY | 73045910 | ALLOY STEEL SEAMLESS PIPE GR P91 | 13.00 | 36,633 | 4,76,231 | PUC |
| 2009-10 | 20090728 | INDONESIA | 73049000 | OILWELL EQUIPMENT : (NEW & UNUSED) 5 OD X 19.50 PPF API 5D GRADE S135 MINIMUM R | 12.19 | 3,63,408 | 44,28,751 | PUC |
| 2009-10 | 20090724 | JAPAN | 73045910 | 73045910 SEAMLESS TUBES(ALLOY STEEL) | 12.00 | 1,91,746 | 23,00,954 | PUC |
| 2009-10 | 20090720 | CHINA P RP | 73041910 | C.S.SEAMLESS STEEL PIPES:- 250 NB SCH40 | 12.00 | 54,707 | 6,56,484 | PUC |
| 2009-10 | 20090729 | CHINA P RP | 73045120 | COLD DRAWN SEAMLESS TUBES ASME SA 106 GR. B IBR WITH BV(219.1MM X 6.35MM X 5800 | 12.00 | 39,368 | 4,72,410 | PUC |
| 2009-10 | 20090716 | CHINA P RP | 73049000 | PRIME CARBON STEEL SEAMLESS PIPES GRADE : ASTM A 106 GRADE B | 11.12 | 34,265 | 3,81,061 | PUC |
| 2009-10 | 20090718 | U K | 73041990 | PIPE,B-36.19,ASTM B 165 ANNLD(UNS N04400),BE SEAMLESS4.0 INCH 10S | 11.00 | 1,02,953 | 11,32,481 | PUC |
| 2009-10 | 20090709 | CHINA P RP | 73049000 | COLD DRAWN SEAMLESS STEEL TUBE SCM415H 13.35MM X 8.90MM | 10.76 | 1,15,058 | 12,38,368 | PUC |
| 2009-10 | 20090729 | SINGAPORE | 73049000 | SECONDARY CARBON STEEL SEAMLESS PIPES. | 10.00 | 1,00,105 | 10,01,054 | PUC |
| 2009-10 | 20090731 | U ARAB EMTS | 73049000 | SECONDARY CARBON STEEL SEAMLESS WELDED PIPES MIXED LOT MIX SIZES MIX THICKNESS | 10.00 | 18,112 | 1,81,115 | PUC |
| 2009-10 | 20090731 | U ARAB EMTS | 73049000 | SECONDARY CARBON STEEL SEAMLESS WELDED PIPES MIXED LOT MIX SIZES MIX THICKNESS | 10.00 | 18,112 | 1,81,115 | PUC |
| 2009-10 | 20090731 | U ARAB EMTS | 73049000 | SECONDARY CARBON STEEL SEAMLESS WELDED PIPES MIXED LOT MIX SIZES MIX THICKNESS | 10.00 | 18,112 | 1,81,115 | PUC |
| 2009-10 | 20090731 | U ARAB EMTS | 73049000 | SECONDARY CARBON STEEL SEAMLESS WELDED PIPES MIXED LOT MIX SIZES MIX THICKNESS | 10.00 | 18,112 | 1,81,115 | PUC |
| 2009-10 | 20090713 | SPAIN | 73041110 | SEAMLESS STEEL TUBES, 193.70 X 32 MM (3.3 M. TONS) ASME-SA-106 | 9.06 | 1,19,986 | 10,87,468 | PUC |
| 2009-10 | 20090714 | CHINA P RP | 73045120 | SEAMLESS CARBON STEEL PIPE 20 # 168*10 | 9.00 | 45,919 | 4,13,273 | PUC |
| 2009-10 | 20090722 | GERMANY | 73041190 | OILWELL EQUIPMENT : 219.10MM X 31.80MM SMLS API 5L X 65 BEV ENDS SR NO: 2 SAP C | 8.38 | 4,33,262 | 36,28,770 | PUC |
| 2009-10 | 20090727 | U ARAB EMTS | 73049000 | SECONDARY CARBON STEEL SEAMLESS PIPE MIXED LOT,MIX SIZES MIXTHICKNESS | 8.00 | 18,338 | 1,46,703 | PUC |

**Import Data from DGCIS [All Countries PUC]
Apr 2009 to Jun 2012**

| Year | Date | Country | ITC-HS | Item-Des | Quantity (MT) | Price (Rs./MT) | Value (Rs) | PUC/ NPUC |
|---------|----------|-------------|----------|---|---------------|----------------|------------|--------------|
| 2009-10 | 20090720 | CHINA P RP | 73041190 | CARBON STEEL TUBES ASME SA 179 SIZE (MM) 20.00 OD X 2.10 WT X 2591 LG | 7.68 | 68,476 | 5,25,625 | PUC |
| 2009-10 | 20090715 | CHINA P RP | 73043129 | COLD DRAWN READY TO HONE PRECISION TUBE (140X159MM) | 7.36 | 69,948 | 5,14,666 | PUC |
| 2009-10 | 20090709 | ITALY | 73043911 | COLD DRAWN SEAMLESS STEEL TUBES 136.00X8.00X4000.00ST523 | 7.33 | 93,206 | 6,82,830 | PUC |
| 2009-10 | 20090730 | CHINA P RP | 73041990 | C.S.SEAMLESS LINE PIPES (ASTM A106/A53/API 5L GRB) | 7.00 | 39,128 | 2,73,894 | PUC |
| 2009-10 | 20090720 | CHINA P RP | 73041990 | CARBON STEEL SEAMLESS LINE PIPES SECONDARY / EX-STOCK | 7.00 | 21,556 | 1,50,890 | PUC |
| 2009-10 | 20090724 | GERMANY | 73043129 | SEAMLESS PRECISION STEEL TUBES (256.00X210,00MM) STEEL TUBES FOR HYD EXCAVATO | 6.00 | 1,13,826 | 6,82,958 | PUC |
| 2009-10 | 20090723 | JAPAN | 73049000 | SECONDARY CARBON STEEL SEAMLESS PIPE | 6.00 | 21,648 | 1,29,890 | PUC |
| 2009-10 | 20090724 | CHINA P RP | 73049000 | COLD DRAWN SEAMLESS CARBON STEEL TUBES(15.88X1.60X5100-5800MM) | 6.00 | 60,954 | 3,65,725 | PUC |
| 2009-10 | 20090713 | CHINA P RP | 73043911 | CARBON STEEL SEAMLESS MOTHER PIPE (HOT FINISHED)32 * 5.5 * 10.5 MTR | 6.00 | 44,715 | 2,68,289 | PUC |
| 2009-10 | 20090713 | CHINA P RP | 73041190 | CARBON STEEL SEAMLESS MOTHER HOT FINISH PIPES - ASTM A106 GR - B (SIZE - 60.3 M | 6.00 | 37,936 | 2,27,618 | PUC |
| 2009-10 | 20090722 | CHINA P RP | 73041190 | SEAMLESS STEEL TUBES ST 20.3 X 8.102 SCM415H | 6.00 | 1,06,466 | 6,38,585 | PUC |
| 2009-10 | 20090722 | TAIWAN | 73049000 | STEEL HONED TUBE STKM 13C 125MM * 140MM (48 MTR) (9 PCS) | 5.68 | 1,24,488 | 7,06,843 | PUC |
| 2009-10 | 20090724 | CHINA P RP | 73041910 | ASTM A 106 GRADE B C.S.SEAMLESS STEEL PIPES:- OD(MM) 73.00 / WALL THK(MM) 7.01 | 5.00 | 57,959 | 2,89,794 | PUC |
| 2009-10 | 20090709 | ITALY | 73043911 | SEAMLESS COLD DRAWN TUBES FOR HYDRAULIC CYLINDERS190.00X15.00MM | 4.60 | 1,09,159 | 5,02,351 | PUC |
| 2009-10 | 20090720 | SWEDEN | 73042990 | TUBE XT-2RE69/ZR702-26.5-2.7 + FL-10-6445 | 4.00 | 1,00,992 | 4,03,969 | PUC |
| 2009-10 | 20090715 | JAPAN | 73049000 | COLD DRAWN SEAMLESS PIN STEEL TUBE SCM415H 18.35 X 12.0MM | 3.92 | 2,34,677 | 9,20,636 | PUC |
| 2009-10 | 20090713 | ARGENTINA | 73043939 | SEAMLESS STEEL PIPE (GRADE DS-202) O.D 267.00MM X 7.50 MM | 3.58 | 79,458 | 2,84,698 | PUC |
| 2009-10 | 20090710 | GERMANY | 73049000 | SEAMLESS P+P PRECISION STEEL TUBES DIN2391C EN10083 (660KGS)25CRMO4 16,900 X 13 | 3.12 | 1,68,076 | 5,24,398 | PUC |
| 2009-10 | 20090710 | JAPAN | 73049000 | MILD STEEL SEAMLESS STEEL PIPES (STOCK LOT) | 3.00 | 47,899 | 1,43,697 | PUC |
| 2009-10 | 20090728 | SAUDI ARAB | 73049000 | SECONDARY SECOND CARBON STEEL SEAMLESS/WELDED PIPES MIXED LOT MIXED THICKNESS | 3.00 | 17,325 | 51,976 | PUC |
| 2009-10 | 20090714 | CHINA P RP | 73044900 | SEAMLESS CARBON STEEL PIPE 20 # 89*7 | 3.00 | 1,07,894 | 3,23,683 | PUC |
| 2009-10 | 20090730 | CHINA P RP | 73041910 | SEAMLESS STEEL TUBE GRADE:SAE52100/GCR15 (SIZE:55 X 6.5) | 2.98 | 50,027 | 1,49,130 | PUC |
| 2009-10 | 20090710 | NETHERLAND | 73049000 | HOLLOW SECTION 180X100X10 EN 10219, S355J2H+CERT, CUTTING STAT. NO. 73066199, (| 2.50 | 98,548 | 2,46,370 | PUC |
| 2009-10 | 20090720 | U S A | 73049000 | OILWELL EQUIPMENT : CASING ASSY, 4 IN SUCTION, 3 IN DISCHARGE, BRZ, FITS | 1.60 | 1,02,034 | 1,63,255 | PUC |
| 2009-10 | 20090708 | CHINA P RP | 73049000 | CARBON STEEL BACKED PTFE STRIPS 2.4MMX200MMX500MM | 1.60 | 1,04,678 | 1,67,484 | PUC |
| 2009-10 | 20090715 | CHINA P RP | 73045910 | HOT ROLLED TUBE (57X9.50MM (57X38) | 1.15 | 71,629 | 82,132 | PUC |
| 2009-10 | 20090730 | NETHERLAND | 73049000 | HOLLOW SCTION 180X100X10 EN10219, S355J2H+CERT, CUTTING STAT.NO.73066199 (FREE | 1.12 | 1,00,096 | 1,12,107 | PUC |
| 2009-10 | 20090730 | JAPAN | 73049000 | CARBON STEEL SEAMLESS TUBE SIZE : 22MM OD X 2.0MM T X 6MTR L | 1.03 | 1,95,407 | 2,01,660 | PUC |
| 2009-10 | 20090706 | CHINA P RP | 73049000 | GB/T 14976-94 OCR18NI10TI TUBE F45*6.5** C-004-0067 (NCV) | 1.02 | 42,097 | 42,969 | PUC |
| 2009-10 | 20090728 | U S A | 73042390 | GUIDE, STABBING, FOR 5 DRILL PIPE, 6-5/8 TOOL JOINT WITH 4-1/2 IF CONNECTION | 1.00 | 68,548 | 68,548 | PUC |
| 2009-10 | 20090728 | U S A | 73042390 | GUIDE, STABBING, FOR 5 DRILL PIPE, 6-5/8 TOOL JOINT WITH 4-1/2 IF CONNECTION | 1.00 | 67,165 | 67,165 | PUC |
| 2009-10 | 20090711 | SAUDI ARAB | 73049000 | SECONDARY SECOND CARBON STEEL SEAMLESS WELDED PIPES MIXED THICKNESS MIXED LOT) | 1.00 | 15,098 | 15,098 | PUC |
| 2009-10 | 20090708 | SAUDI ARAB | 73049000 | SECONDARY SECOND CARBON STEEL SEAMLESS/ WELDED PIPES MIXED THICKNESS MIXED LO | 1.00 | 15,098 | 15,098 | PUC |
| 2009-10 | 20090713 | CHINA P RP | 73041190 | CARBON SEAMLESS STEEL PIPES (219MMX25MMX8-10M) | 1.00 | 38,915 | 38,915 | PUC |
| 2009-10 | 20090706 | CHINA P RP | 73041190 | CARBON STEEL SEAMLESS PIPE (48.3 MM X3.68 MM) | 1.00 | 35,244 | 35,244 | PUC |
| 2009-10 | 20090723 | JAPAN | 73045910 | TUBES SEAMLESS TUBES(ALLOY STEEL) | 0.70 | 1,02,306 | 71,614 | PUC |
| 2009-10 | 20090703 | NETHERLAND | 73049000 | SEAMLESS STEEL TUBE 273 X 45 MM - (F.O.C.) | 0.35 | 98,729 | 34,259 | PUC |
| 2009-10 | 20090724 | FRANCE | 73044900 | SCHED.S-XS PIPE A333-6PE CARBON STEEL SEAMLESS PIPE SIZE: 2 (JAPAN) | 0.13 | 2,93,254 | 39,296 | PUC |
| 2009-10 | 20090717 | SINGAPORE | 73042390 | INSERT, SLIP, DRILL PIPE, 3-1/2 , VARCO P/N 2162-36 | 0.10 | 1,31,340 | 13,134 | PUC |
| 2009-10 | 20090724 | U ARAB EMTS | 73049000 | SECONDARY/ DEFECTIVE CARBON STEEL PIPES MIXED LOT. | 0.10 | 36,230 | 3,623 | PUC |
| 2009-10 | 20090722 | U ARAB EMTS | 73049000 | SECONDARY SECOND ORDER SEAMLESS/WELDED PIPE CARBON STEEL | 0.10 | 31,190 | 3,119 | PUC |

**Import Data from DGCIS [All Countries PUC]
Apr 2009 to Jun 2012**

| Year | Date | Country | ITC-HS | Item-Des | Quantity (MT) | Price (Rs./MT) | Value (Rs) | PUC/ NPUC |
|---------|----------|-------------|----------|---|---------------|----------------|-------------|--------------|
| 2009-10 | 20090727 | CHINA P RP | 73041910 | PIPE,B-36,10,ASTM A 106 GR.B ,BE,SEAMLESS,NACE,10.0 INCH,XS | 0.10 | 97,260 | 9,726 | PUC |
| 2009-10 | 20090731 | UKRAINE | 73049000 | CARBON STEEL SEAMLESS PIPE [SECONDARY/DEFECTIVE] | 0.10 | 1,00,000 | 9,900 | PUC |
| 2009-10 | 20090727 | FRANCE | 73041190 | TUBE DIA 5 9MM (MADE OF STEEL)(USE IN AUTOMOBILES) (CAPTIVE CONSUMPTION) | 0.07 | 1,01,886 | 7,132 | PUC |
| 2009-10 | 20090720 | U K | 73049000 | SECONDARY SECOND CHOICE CARBON STEEL SEAMLESS / WELDED PIPES | 0.06 | 1,02,900 | 6,174 | PUC |
| 2009-10 | 20090731 | GERMANY | 73049000 | CARBON STEEL SEAMLESS PIPE [SECONDARY/DEFECTIVE] | 0.06 | 1,02,800 | 6,168 | PUC |
| 2009-10 | 20090703 | GERMANY | 73049000 | SECONDARY CARBON STEEL SEAMLESS PIPE | 0.04 | 1,01,179 | 3,946 | PUC |
| 2009-10 | 20090717 | ITALY | 73049000 | SECONDARY / DEFECTIVE CARBON STEEL PIPES MIXED LOT | 0.04 | 1,00,639 | 3,623 | PUC |
| 2009-10 | 20090708 | ITALY | 73049000 | SECONDARY / DEFECTIVE CARBON STEEL PIPES MIXED LOT | 0.03 | 1,00,667 | 3,020 | PUC |
| 2009-10 | 20090708 | ITALY | 73049000 | SECONDARY / DEFECTIVE CARBON STEEL PIPES MIXED LOT | 0.03 | 1,00,667 | 3,020 | PUC |
| 2009-10 | 20090710 | ITALY | 73049000 | SECONDARY / DEFECTIVE CARBON STEEL PIPES MIXED LOT | 0.03 | 1,00,667 | 3,020 | PUC |
| 2009-10 | 20090701 | U K | 73049000 | SECONDERY DEFECTIVE NON ALLOY BRIGHT BARS | 0.03 | 52,800 | 1,584 | PUC |
| 2009-10 | 20090701 | U K | 73049000 | SECONDARY DEFECTIVE NON ALLOY STEEL WIRE RODS | 0.03 | 51,967 | 1,559 | PUC |
| 2009-10 | 20090714 | CHINA P RP | 73041110 | PIPE 20-128 MODEL NO 240 PART NO 331648-0 | 0.03 | 1,01,167 | 3,035 | PUC |
| 2009-10 | 20090706 | ITALY | 73049000 | SECONDARY CARBON STEEL SEAMLESS PIPES MIX LOT | 0.03 | 89,120 | 2,228 | PUC |
| 2009-10 | 20090727 | CHINA P RP | 73049000 | CARBON STEEL SEAMLESS PIPES AS PER API5LGR.B/ASTM A 106 GR.B, BEVELLED ENDS | 0.03 | 36,720 | 918 | PUC |
| 2009-10 | 20090710 | U ARAB EMTS | 73049000 | CARBON STEEL SEAMLESS PIPES STOCK LOT | 0.02 | 1,00,250 | 2,005 | PUC |
| 2009-10 | 20090727 | JAPAN | 73045120 | ALLOY STEEL SEAMLESS PIPES | 0.02 | 99,450 | 1,989 | PUC |
| 2009-10 | 20090704 | U ARAB EMTS | 73049000 | SECONDARY SECOND CHOICE CARBON STEEL SEAMLESS / WELDED PIPES | 0.02 | 1,01,941 | 1,733 | PUC |
| 2009-10 | 20090702 | ITALY | 73049000 | SECONDARY DEFECTIVE M.S.PIPES SEAMLESS & WELDED | 0.01 | 1,05,462 | 1,371 | PUC |
| 2009-10 | 20090702 | CANADA | 73049000 | SECONDERY DEFECTIVE NON ALLOY BRIGHT BARS IN ROUND HEX SQUARE SHAPES | 0.01 | 1,06,167 | 1,274 | PUC |
| 2009-10 | 20090702 | ITALY | 73049000 | SECONDARY DEFECTIVE M.S.PIPES SEAMLESS & WELDED | 0.01 | 1,07,125 | 857 | PUC |
| 2009-10 | 20090702 | ITALY | 73049000 | SECONDARY DEFECTIVE M.S.PIPES SEAMLESS & WELDED | 0.01 | 1,07,125 | 857 | PUC |
| 2009-10 | 20090824 | CHINA P RP | 73043911 | SEAMLESS CARBON STEEL HOLLOWES (TO SPEC SA 192) | 1,766.00 | 44,279 | 7,81,95,837 | PUC |
| 2009-10 | 20090820 | CHINA P RP | 73041910 | PLAIN END SEAMLESS PIPES =3 1/2 OD (11380.56 MTRS) | 1,194.00 | 55,820 | 6,66,49,381 | PUC |
| 2009-10 | 20090831 | CHINA P RP | 73042390 | (OILFIELD SEAMLESS CASING PIPES) OD 9-5/8 X47 PPF X R3, GRADE N-80, TYPE: BTC (| 1,068.81 | 63,130 | 6,74,73,582 | PUC |
| 2009-10 | 20090811 | CHINA P RP | 73043911 | CARBON STEEL SEAMLESS HOLLOWES | 951.00 | 43,872 | 4,17,22,476 | PUC |
| 2009-10 | 20090811 | CHINA P RP | 73043911 | CARBON STEEL SEAMLESS HOLLOWES | 889.00 | 43,864 | 3,89,94,664 | PUC |
| 2009-10 | 20090831 | CHINA P RP | 73042390 | [OILFIELD SEAMLESS CASING PIPES] OD 9-5/8 X 47 PPF X R3, GRADE N-80,TYPE BTC (| 875.15 | 60,404 | 5,28,62,943 | PUC |
| 2009-10 | 20090805 | CHINA P RP | 73043911 | HOT FINISHED SEAMLESS STEEL TUBES JIS G3429 (1988) GRADE 37MN SIZE: OD 232 MM X | 506.00 | 51,177 | 2,58,95,642 | PUC |
| 2009-10 | 20090826 | CHINA P RP | 73042990 | CASING PIPE 5 1/2 OD,J-55,17PPF,BTC | 493.17 | 30,656 | 1,51,18,669 | PUC |
| 2009-10 | 20090806 | FRANCE | 73049000 | HOT FINISHED SEAMLESS STEEL TUBES ITEM 50 MARK NO E-061/E ASME SA 210M, 450M GR | 492.00 | 92,801 | 4,56,58,226 | PUC |
| 2009-10 | 20090804 | CHINA P RP | 73062919 | SEAMLESS STEEL CASING PIPES DIMENSION (9-5/8 X47 PPF X R3) USED IN OILWELL OPE | 491.16 | 65,481 | 3,21,61,706 | PUC |
| 2009-10 | 20090831 | U S A | 73049000 | CARBON STEEL SEAMLESS PIPE STOCK LOT | 458.00 | 21,477 | 98,36,408 | PUC |
| 2009-10 | 20090814 | SPAIN | 73043911 | CARBON STEEL TUBES (RIFLE TUBE) TO SPECM SA 210 | 453.00 | 1,35,441 | 6,13,54,600 | PUC |
| 2009-10 | 20090831 | CHINA P RP | 73042390 | (OILFIELD SEAMLESS CASING PIPES) OD 9-5/8 X47 PPF X R3, GRADE N-80, TYPE: BTC (| 420.00 | 39,526 | 1,66,01,015 | PUC |
| 2009-10 | 20090827 | CHINA P RP | 73041990 | PIPE B-36.10,ASTM A106 GRB, BE SEAMLESS,8.0INCH STD | 413.60 | 23,546 | 97,38,730 | PUC |
| 2009-10 | 20090827 | CHINA P RP | 73041990 | PIPE B-36.10 STM A106 GR.B.BE SEAMLESS PIPES 14 STD | 413.55 | 21,609 | 89,36,445 | PUC |
| 2009-10 | 20090810 | CHINA P RP | 73049000 | SEAMLESS CARBON STEEL PIPES ASTMA 106, GR,B. | 401.00 | 31,712 | 1,27,16,605 | PUC |
| 2009-10 | 20090812 | U S A | 73049000 | OILWELL SUPPLIES : 7 INFLATABLE PACKER-SHORT-10 FT: EXTERNAL CASING PACKER W/F | 339.80 | 46,971 | 1,59,60,841 | PUC |
| 2009-10 | 20090829 | CHINA P RP | 73049000 | 44.5 OD X 4.5 WT X 12000 LG / SEAMLESS TUBE | 326.36 | 39,348 | 1,28,41,694 | PUC |
| 2009-10 | 20090827 | CHINA P RP | 73043911 | HOT FINISHED SEAMLESS TUBES (GB 18248-2000 37MN) SIZE: 139.7MM X 4.5MM X 5720MM | 309.00 | 45,365 | 1,40,17,886 | PUC |

**Import Data from DGCIS [All Countries PUC]
Apr 2009 to Jun 2012**

| Year | Date | Country | ITC-HS | Item-Des | Quantity (MT) | Price (Rs./MT) | Value (Rs) | PUC/ NPUC |
|---------|----------|-------------|----------|---|---------------|----------------|-------------|--------------|
| 2009-10 | 20090803 | CHINA P RP | 73041190 | CARBON STEEL SEAMLESS HOT FINISHED PIPES ASTM A106/API 5L GR B PSL 1 SIZE 6 16 | 298.00 | 30,868 | 91,98,684 | PUC |
| 2009-10 | 20090827 | CHINA P RP | 73065000 | STEEL PIPE, B-36.10, ASTM A 106 GR.B,PE,SEAMLESS,IBR,1.5 INCH,XS.PI 21977 Z 108 | 296.21 | 73,161 | 2,16,71,203 | PUC |
| 2009-10 | 20090824 | CHINA P RP | 73043911 | SEAMLESS CARBON STEEL HOLLOW (TO SPEC SA 192) | 255.00 | 43,855 | 1,11,83,039 | PUC |
| 2009-10 | 20090814 | CHINA P RP | 73043919 | CARBON STEEL SEAMLESS HOT FINISHED MOTHER PIPES GRADE DIN 17175 ST.35.8 , SIZE | 253.00 | 38,610 | 97,68,368 | PUC |
| 2009-10 | 20090817 | CHINA P RP | 73043911 | CARBON STEEL SEAMLESS TUBE/PIPE (HOT FINISHED)OD : 26 MM, W.T: 2.7 MM, | 249.00 | 36,892 | 91,86,091 | PUC |
| 2009-10 | 20090808 | CHINA P RP | 73043939 | CARBON STEEL SEAMLESS TUBES TO DIN 17175 ST 35.8, (33.40 OD X 3.40 THK X10500 - | 242.00 | 38,083 | 92,16,012 | PUC |
| 2009-10 | 20090828 | CHINA P RP | 73045930 | SEAMLESS STEEL GAS CYLINDER TUBE232 MM X 5.4 MM | 240.00 | 46,893 | 1,12,54,310 | PUC |
| 2009-10 | 20090821 | CHINA P RP | 73049000 | SEAMLESS CARBON STEEL PIPES (ASTM A106 GR.B/API 5L GR.B) (141.3 X 4.5MM) | 238.00 | 35,682 | 84,92,240 | PUC |
| 2009-10 | 20090814 | CHINA P RP | 73049000 | PRIME CARBON STEEL SEAMLESS PIPES GRADE : API5L/X 42PSLI ASTM A53 / A106 ASME S | 225.00 | 34,213 | 76,97,944 | PUC |
| 2009-10 | 20090831 | CHINA P RP | 73049000 | CARBON STEEL SEAMLESS PIPES TO ASTM A 106 GR.B SURPLUS STOCK | 218.00 | 24,350 | 53,08,300 | PUC |
| 2009-10 | 20090814 | SPAIN | 73043911 | RIFLE TUBES [CARBON STEEL] SPECM SA 210 GB-C | 211.00 | 1,53,481 | 3,23,84,478 | PUC |
| 2009-10 | 20090801 | CHINA P RP | 73049000 | HOT FINISHED SEAMLESS STEEL TUBES GRADE.CHROMIUM MOLYBDENUMSTEEL (34CRM04) | 203.00 | 60,769 | 1,23,36,085 | PUC |
| 2009-10 | 20090818 | CHINA P RP | 73043911 | CARBON STEEL SEAMLESS TUBES MOTHER PIPE (HOT FINISHED)OD:32MM. .W.T.: 3.45MM | 202.00 | 37,121 | 74,98,482 | PUC |
| 2009-10 | 20090817 | BELGIUM | 73049000 | M.S.SEAMLESS PIPES SECONDARY SECOND CHOICE MIX | 201.00 | 20,045 | 40,28,994 | PUC |
| 2009-10 | 20090812 | CHINA P RP | 73049000 | PRIME CARBON STEEL SEAMLESS PIPES GRADE : ASTM A 106 GR.B / API5L GR.B | 199.00 | 34,687 | 69,02,744 | PUC |
| 2009-10 | 20090803 | U K | 73049000 | SECONDARY SECOND CHOICE CARBON STEEL SEAMLESS / WELDED PIPES | 187.00 | 17,102 | 31,98,088 | PUC |
| 2009-10 | 20090801 | CHINA P RP | 73049000 | HOT FINISHED SEAMLESS STEEL TUBE GRADE.CHROMIUM MOLYBDENUMSTEEL (34CRM04) | 184.00 | 60,661 | 1,11,61,653 | PUC |
| 2009-10 | 20090812 | CHINA P RP | 73043119 | COLD DRAWN SEAMLESS CARBON STEEL TUBES AS PER DIN 1629/84 ST 37.4 SIZE : 30.00 | 171.00 | 42,202 | 72,16,520 | PUC |
| 2009-10 | 20090827 | CHINA P RP | 73045110 | BEARING QUALITY STEEL TUBE SAE-52100 SIZE 33.87X24.78MM | 161.00 | 52,138 | 83,94,269 | PUC |
| 2009-10 | 20090807 | CHINA P RP | 73041190 | CARBON STEEL SEAMLESS HOT FINISHED PIPES ASTM A106 GR B SIZE 55MM OD X 4.5MM W | 159.00 | 33,623 | 53,45,979 | PUC |
| 2009-10 | 20090818 | CHINA P RP | 73041910 | SEAMLESS STEEL PIPE ASTM A160 GR.B/API GR.B.325MMX45MM | 158.00 | 38,655 | 61,07,427 | PUC |
| 2009-10 | 20090813 | CHINA P RP | 73049000 | CARBON STEEL SEAMLESS PIPES AS PER API 5LA/A53/ASTM A106 GR.B.PIPES | 150.10 | 32,274 | 48,44,433 | PUC |
| 2009-10 | 20090810 | U S A | 73049000 | SECONDARY SECOND CHOICE CARBON STEEL SEAMLESS / WELDED PIPES | 143.00 | 17,141 | 24,51,208 | PUC |
| 2009-10 | 20090821 | CHINA P RP | 73045110 | BEARING QUALITY STEEL TUBE SAE-52100 SIZE 51.7 X 5.95 MM | 143.00 | 49,836 | 71,26,536 | PUC |
| 2009-10 | 20090828 | CHINA P RP | 73041190 | SEAMLESS CARBON STEEL PIPE ASTM A 106 SIZE 30.5 X 5 (CARBON MILD STEEL) | 135.00 | 28,361 | 38,28,708 | PUC |
| 2009-10 | 20090820 | U ARAB EMTS | 73062919 | SECONDRY SECOND CHOICE CARBON STEEL PIPES | 132.00 | 20,112 | 26,54,832 | PUC |
| 2009-10 | 20090824 | ITALY | 73043911 | COLD DRAWN SEAMLESS STEEL TUBES 128.00X9.00X3500.00ST523 | 131.08 | 60,152 | 78,84,574 | PUC |
| 2009-10 | 20090820 | KUWAIT | 73049000 | SECONDARY CARBON STEEL PIPES SEAMLESS | 130.00 | 18,284 | 23,76,950 | PUC |
| 2009-10 | 20090811 | CHINA P RP | 73043911 | CARBON STEEL SEAMLESS HOLLOW | 129.00 | 43,983 | 56,73,843 | PUC |
| 2009-10 | 20090831 | CHINA P RP | 73049000 | SEAMLESS CARBON STEEL PI | 127.00 | 35,169 | 44,66,507 | PUC |
| 2009-10 | 20090811 | CHINA P RP | 73049000 | CARBON STEEL SEAMLESS PIPES CONFIRMING TO ASTM A106 GR.B | 126.00 | 40,954 | 51,60,254 | PUC |
| 2009-10 | 20090829 | BELGIUM | 73049000 | SECONDARY CARBON STEEL PIPES IN MIXED SIZES, AND LENGTHS | 125.00 | 22,662 | 28,32,723 | PUC |
| 2009-10 | 20090831 | BELGIUM | 73049000 | M.S.SEAMLESS PIPES SECONDARY SECOND CHOICE MIX | 125.00 | 20,073 | 25,09,101 | PUC |
| 2009-10 | 20090813 | CHINA P RP | 73049000 | CARBON STEEL SEAMLESS PIPES AS PER API 5L/ASME SA 106/ASTM A 106 GR.B PIPES | 124.55 | 34,172 | 42,55,917 | PUC |
| 2009-10 | 20090814 | BELGIUM | 73049000 | SECONDARY CARBON STEEL SEAMLESS PIPES IN MIXED SIZES AND LENGTHS | 124.00 | 22,637 | 28,07,009 | PUC |
| 2009-10 | 20090831 | U ARAB EMTS | 73049000 | CARBON STEEL SECONDARY SEAMLESS PIPES | 123.00 | 20,198 | 24,84,378 | PUC |
| 2009-10 | 20090822 | CHINA P RP | 73043919 | CARBON STEEL SEAMLESS TUBES (SPEC. DIN 17175 ST 35.8)(SIZE 60.03MM OD X 49.6MM | 123.00 | 39,835 | 48,99,696 | PUC |
| 2009-10 | 20090831 | U S A | 73049000 | SECONDARY SECOND CHOICE CARBON STEEL SEAMLESS/WELDED PIPE | 117.00 | 17,064 | 19,96,459 | PUC |
| 2009-10 | 20090801 | CHINA P RP | 73049000 | PRIME CARBON STEEL SEAMLESS PIPES GRADE : ASTM A 106 / GRADE B | 116.00 | 34,352 | 39,84,780 | PUC |
| 2009-10 | 20090812 | CHINA P RP | 73045110 | BEARING QUALITY STEEL TUBE SAE-52100 SIZE 24.67 X 16.81MM | 114.00 | 48,068 | 54,79,769 | PUC |
| 2009-10 | 20090826 | CHINA P RP | 73049000 | CARBON STEEL SEAMLESS PIPES CONFIRMING ASTM A 106 GRADE B | 112.00 | 42,274 | 47,34,728 | PUC |

**Import Data from DGCIS [All Countries PUC]
Apr 2009 to Jun 2012**

| Year | Date | Country | ITC-HS | Item-Des | Quantity (MT) | Price (Rs./MT) | Value (Rs) | PUC/ NPUC |
|---------|----------|-------------|----------|---|---------------|----------------|------------|--------------|
| 2009-10 | 20090824 | CHINA P RP | 73041190 | SEAMLESS STEEL PIPES 88.9MM X 7.62MM X 5800MM 110PCS | 109.00 | 37,098 | 40,43,647 | PUC |
| 2009-10 | 20090808 | CHINA P RP | 73049000 | CARBON STEEL SEAMLESS PIPE STOCK LOT. AS PER ASTM A106 GR.B/ API 5L GR. B (MIX | 109.00 | 28,607 | 31,18,212 | PUC |
| 2009-10 | 20090806 | CHINA P RP | 73041190 | CARBON STEEL TUBES ASME SA179 SIZE (MM) 20.00 OD X 2.00 WT X 6000 LG | 108.72 | 76,596 | 83,27,165 | PUC |
| 2009-10 | 20090813 | CHINA P RP | 73049000 | CARBON STEEL SEAMLESS COLD DRAWN PIPES ASTM A 106 GRADE B. / API 5L GR.B | 107.00 | 32,039 | 34,28,158 | PUC |
| 2009-10 | 20090820 | U ARAB EMTS | 73049000 | CARBON STEEL SECONDARY PIPE | 106.00 | 20,317 | 21,53,639 | PUC |
| 2009-10 | 20090819 | U ARAB EMTS | 73062919 | SECONDRY SECOND CHOICE CARBON STEEL PIPES | 106.00 | 20,076 | 21,28,092 | PUC |
| 2009-10 | 20090831 | U ARAB EMTS | 73049000 | SECONDARY CARBON STEEL PIPES SEAMLESS | 105.00 | 20,355 | 21,37,284 | PUC |
| 2009-10 | 20090814 | BELGIUM | 73049000 | SECONDARY CARBON STEEL SEAMLESS PIPES IN MIXED SIZES AND LENGTHS | 104.67 | 22,634 | 23,68,938 | PUC |
| 2009-10 | 20090810 | UNSPECIFIED | 73043129 | PROCESSED TUBES | 104.00 | 35,117 | 36,52,135 | PUC |
| 2009-10 | 20090819 | UNSPECIFIED | 73043129 | PROCESSED TUBES | 104.00 | 35,117 | 36,52,135 | PUC |
| 2009-10 | 20090811 | U K | 73049000 | SECONDARY SURPLUS CARBON STEEL PIPES | 104.00 | 20,250 | 21,05,987 | PUC |
| 2009-10 | 20090813 | CHINA P RP | 73049000 | CARBON STEEL SEAMLESS PIPES CONFIRMING ASTM A 106 GRADE B | 103.00 | 31,705 | 32,65,593 | PUC |
| 2009-10 | 20090827 | U ARAB EMTS | 73049000 | SECONDARY CARBON STEEL PIPES FITTING | 102.00 | 22,315 | 22,76,093 | PUC |
| 2009-10 | 20090804 | U K | 73049000 | SECONDARY SURPLUS CARBON STEEL PIPES | 102.00 | 20,275 | 20,68,027 | PUC |
| 2009-10 | 20090818 | MALAYSIA | 73049000 | CARBON STEEL SECONDARY DEFECTIVE SEAMLESS PIPES | 102.00 | 19,609 | 20,00,098 | PUC |
| 2009-10 | 20090813 | KUWAIT | 73049000 | SECONDARY CARBON STEEL PIPES SEAMLESS | 102.00 | 18,376 | 18,74,377 | PUC |
| 2009-10 | 20090803 | U K | 73049000 | SECONDARY SECOND CHOICE CARBON STEEL SEAMLESS / WELDED PIPES | 102.00 | 17,184 | 17,52,788 | PUC |
| 2009-10 | 20090804 | CHINA P RP | 73045110 | BEARING QUALITY STEEL TUBE SAE-52100 & SUJ-3.6212OR, 111X8.3MM | 101.00 | 51,568 | 52,08,387 | PUC |
| 2009-10 | 20090813 | CHINA P RP | 73049000 | CARBON STEEL SEAMLESS PIPES CONFIRMING ASTM A 106 GR B. | 101.00 | 31,886 | 32,20,485 | PUC |
| 2009-10 | 20090817 | U K | 73049000 | SECONDARY SECOND CHOICE CARBON STEEL SEAMLESS / WELDED PIPES | 100.00 | 18,667 | 18,66,716 | PUC |
| 2009-10 | 20090811 | CHINA P RP | 73043119 | SEAMLESS CARBON STEEL PIPES AS PER ASTM A106 GRB 3/4 SCH40*5800MM | 100.00 | 32,628 | 32,62,807 | PUC |
| 2009-10 | 20090813 | CHINA P RP | 73049000 | COLD DRAWN SEAMLESS CARBON STEEL PIPES ASTM A106 GR.B / API5L GR.B SIZE 114.3 X | 99.94 | 32,143 | 32,12,285 | PUC |
| 2009-10 | 20090812 | JAPAN | 73049000 | SECONDARY/DEFECTIVE CARBON STEEL SEAMLESS PIPE | 99.00 | 29,533 | 29,23,790 | PUC |
| 2009-10 | 20090817 | CHINA P RP | 73045110 | BEARING QUALITY STEEL TUBE SAE-52100 AND SUJ-3 SIZE 43.6 X 9.7 MM | 99.00 | 52,067 | 51,54,635 | PUC |
| 2009-10 | 20090811 | CHINA P RP | 73043119 | SEAMLESS COLD DRAWN PIPES ASTM A 106 GR.B /API 5L.GR.B SIZE :4 XSCH40 X 5800MM | 98.52 | 32,143 | 31,66,790 | PUC |
| 2009-10 | 20090824 | SAUDI ARAB | 73049000 | SECONDARY SECOND CARBON STEEL SEAMLESS/WELDED PIPES MIXED THICKNESS MIXED LOT | 98.00 | 14,853 | 14,55,570 | PUC |
| 2009-10 | 20090825 | SAUDI ARAB | 73049000 | SECONDARY SECOND CARBON STEEL SEAMLESS / WELDED PIPES MIXED THICKNESS MIXED LO | 98.00 | 14,814 | 14,51,818 | PUC |
| 2009-10 | 20090827 | U ARAB EMTS | 73062919 | SECONDRY SECOND CHOICE CARBON STEEL PIPES | 97.00 | 20,002 | 19,40,208 | PUC |
| 2009-10 | 20090828 | CHINA P RP | 73045930 | HOT FINISHED SEAMLESS TUBE267 MM X 7.5 MM | 96.00 | 51,976 | 49,89,703 | PUC |
| 2009-10 | 20090814 | BELGIUM | 73049000 | SECONDARY CARBON STEEL SEAMLESS PIPES IN MIXED SIZES AND LENGTHS | 88.72 | 22,634 | 20,07,933 | PUC |
| 2009-10 | 20090828 | CHINA P RP | 73045930 | SEAMLESS STEEL GAS CYLINDER TUBE232 MM X 5.4 MM | 88.00 | 47,262 | 41,59,072 | PUC |
| 2009-10 | 20090812 | CHINA P RP | 73045110 | BEARING QUALITY STEEL TUBE SAE-52100 SIZE 24.67 X 16.81MM | 87.00 | 47,100 | 40,97,701 | PUC |
| 2009-10 | 20090821 | CHINA P RP | 73045110 | BEARING QUALITY STEEL TUBE SAE-52100, 6904 OR .37.25 X 31.50MM | 85.50 | 47,957 | 41,00,238 | PUC |
| 2009-10 | 20090824 | CHINA P RP | 73042390 | 73980KG SEAMLESS CARBON STEEL PIPE ASTM A106 GR.B 38MM OD X 12MM THK X 5900MM | 85.15 | 42,752 | 36,40,241 | PUC |
| 2009-10 | 20090827 | U K | 73049000 | SECONDARY/SURPLUS CARBON STEEL SEAMLESS PIPE. | 84.00 | 20,321 | 17,07,000 | PUC |
| 2009-10 | 20090804 | GERMANY | 73049000 | CARBON STEEL SECONDARY PIPES AND BARS MIX LOT | 80.00 | 26,075 | 20,86,018 | PUC |
| 2009-10 | 20090819 | CHINA P RP | 73049000 | CS SEAMLESS PIPES (SIZE OD 168.3 X7.11) | 79.41 | 27,054 | 21,48,269 | PUC |
| 2009-10 | 20090804 | U K | 73049000 | SECONDARY SURPLUS CARBON STEEL PIPES | 79.00 | 20,386 | 16,10,484 | PUC |
| 2009-10 | 20090827 | U K | 73049000 | CARBON STEEL SECONDARY SEAMLESS PIPE. | 78.00 | 20,326 | 15,85,447 | PUC |
| 2009-10 | 20090819 | CHINA P RP | 73041190 | CARBON STEEL TUBES ASME SA 179 SIZE:(MM) 20.00 OD X 2.00WT X 6000 LG | 77.89 | 70,131 | 54,62,436 | PUC |
| 2009-10 | 20090818 | MALAYSIA | 73049000 | CARBON STEEL SECONDARY DEFECTIVE SEAMLESS PIPES | 77.00 | 19,633 | 15,11,728 | PUC |

**Import Data from DGCIS [All Countries PUC]
Apr 2009 to Jun 2012**

| Year | Date | Country | ITC-HS | Item-Des | Quantity (MT) | Price (Rs./MT) | Value (Rs) | PUC/ NPUC |
|---------|----------|--------------|----------|---|---------------|----------------|-------------|--------------|
| 2009-10 | 20090804 | JAPAN | 73045110 | HOT FINISHED SEAMLESS CARBON STEEL PIPES - GRADE:ASME SA106B GR.B, SIZE:ODXWT | 76.00 | 74,224 | 56,41,028 | PUC |
| 2009-10 | 20090817 | U ARAB EMTS | 73049000 | SECONDARY CARBON STEEL WELDED SEAMLESS PIPES MIXED LOT,MIX SIZES,MIX THICKNESS | 72.00 | 22,012 | 15,84,893 | PUC |
| 2009-10 | 20090821 | CHINA P RP | 73042390 | PLAIN END SEAMLESS PIPES AISI 1340 5-1/2 OD [OD 139.7MMXWT31.75MMXLENGTH 8230M | 71.62 | 48,199 | 34,51,856 | PUC |
| 2009-10 | 20090828 | CHINA P RP | 73045930 | HOT FINISHED SEAMLESS TUBE267 MM X 7.5 MM | 69.00 | 52,162 | 35,99,200 | PUC |
| 2009-10 | 20090803 | CHINA P RP | 73043939 | HOT FINISHED SEAMLESS TUBES 232MM X 5.4MM | 68.00 | 51,341 | 34,91,216 | PUC |
| 2009-10 | 20090814 | CHINA P RP | 73041910 | SEAMLESS PIPES API 5L/A 106 GR.B 42.2X4.05X5800MM | 67.91 | 21,354 | 14,50,070 | PUC |
| 2009-10 | 20090825 | SAUDI ARAB | 73049000 | SECONDARY SECOND CARBON STEEL SEAMLESS / WELDED PIPES FITTINGS MIXED THICKNESS | 66.00 | 14,866 | 9,81,165 | PUC |
| 2009-10 | 20090819 | JAPAN | 73049000 | NON ALLOYS SECONDARY SEAMLESS PIPES | 65.00 | 15,974 | 10,38,284 | PUC |
| 2009-10 | 20090821 | U S A | 73043911 | SECONDARY DEFECTIVE MS SEAMLESS PIPE | 63.00 | 23,258 | 14,65,266 | PUC |
| 2009-10 | 20090811 | U S A | 73043911 | SECONDARY DEFECTIVE M.S SEAMLESS PIPE | 63.00 | 22,003 | 13,86,200 | PUC |
| 2009-10 | 20090819 | CHINA P RP | 73041190 | CARBON STEEL TUBES ASME SA 179 SIZE:(MM) 20.00 OD X 2.00 WT X 6000 LG | 61.05 | 73,792 | 45,05,240 | PUC |
| 2009-10 | 20090827 | CHINA P RP | 73043119 | SEAMLESS CARBON STEEL TUBES AS PER DIN STD 2391 36 MM | 61.00 | 49,173 | 29,99,582 | PUC |
| 2009-10 | 20090801 | CHINA P RP | 73043119 | SEAMLESS CARBON STEEL TUBES AS PER DIN STD 2391 36 MM | 61.00 | 48,382 | 29,51,283 | PUC |
| 2009-10 | 20090803 | CHINA P RP | 73045110 | BEARING QUALITY STEEL TUBE SAE-52100 & SUJ-3,TMB6205MOR,52.7X4.45MM | 60.00 | 51,396 | 30,83,762 | PUC |
| 2009-10 | 20090810 | CHINA P RP | 73041910 | SEAMLESS STEEL PIPE ASTM A160 GR.B/API 5L GR.B 42.2MMX4.85MMX5800MM | 60.00 | 41,833 | 25,09,950 | PUC |
| 2009-10 | 20090821 | CHINA P RP | 73049000 | CARBON STEEL SEAMLESS PIPE | 60.00 | 38,393 | 23,03,562 | PUC |
| 2009-10 | 20090825 | CHINA P RP | 73049000 | INNER TUBE 30.25*3.15*543 MM | 56.60 | 47,485 | 26,87,875 | PUC |
| 2009-10 | 20090804 | JAPAN | 73049000 | CARBON STEEL SECONDARY PIPE | 56.00 | 20,321 | 11,37,960 | PUC |
| 2009-10 | 20090807 | CHINA P RP | 73045110 | BEARING QUALITY STEEL TUBE SAE-52100 AND SUJ-3 SIZE 47.7 X 3.9 MM | 56.00 | 55,530 | 31,09,658 | PUC |
| 2009-10 | 20090825 | U ARAB EMTS | 73049000 | CARBON STEEL SECONDARY PIPES | 55.00 | 20,405 | 11,22,251 | PUC |
| 2009-10 | 20090810 | U ARAB EMTS | 73049000 | CARBON STEEL PIPE (SECONDARY & DEFECTIVE)-PSI CFT.NO.:0008/U/D/101296/H,DT:24/0 | 54.00 | 20,730 | 11,19,446 | PUC |
| 2009-10 | 20090818 | SOUTH AFRICA | 73049000 | SECONDARY DEFECTIVE CARBON PIPE | 54.00 | 20,682 | 11,16,819 | PUC |
| 2009-10 | 20090827 | U K | 73049000 | CARBON STEEL SEAMLESS PIPE SECONDARY/DEFECTIVE | 54.00 | 20,349 | 10,98,828 | PUC |
| 2009-10 | 20090812 | SINGAPORE | 73041910 | SECONDARY STEEL PIPES | 53.00 | 20,740 | 10,99,244 | PUC |
| 2009-10 | 20090827 | U ARAB EMTS | 73049000 | CARBON STEEL PIPES SECONDARY/DEFECTIVE | 53.00 | 20,660 | 10,94,982 | PUC |
| 2009-10 | 20090825 | CHINA P RP | 73043939 | HYDRAULIC CYLINDER HONED TUBE - 177.8*152.5 | 52.66 | 25,603 | 13,48,199 | PUC |
| 2009-10 | 20090827 | U K | 73049000 | SECONDARY SURPLUS CARBON STEEL SEAMLESS PIPE. | 52.00 | 20,378 | 10,59,657 | PUC |
| 2009-10 | 20090803 | U K | 73049000 | SECONDARY SECOND CHOICE CARBON STEEL SEAMLESS / WELDED PIPES | 52.00 | 17,293 | 8,99,260 | PUC |
| 2009-10 | 20090813 | CHINA P RP | 73049000 | CARBON STEEL SEAMLESS PIPES AS PER API 5L/A53/ASTM A106 GR.B PIPES | 51.30 | 32,824 | 16,83,796 | PUC |
| 2009-10 | 20090810 | CHINA P RP | 73049000 | PRIME CARBON STEEL SEAMLESS PIPES (ASTM A106/A53/API 5L GR.BPSL1) (406.4MM X 21 | 51.00 | 40,366 | 20,58,687 | PUC |
| 2009-10 | 20090805 | SINGAPORE | 73041910 | SEC/DEF STEEL PIPES | 50.00 | 19,823 | 9,91,142 | PUC |
| 2009-10 | 20090821 | CHINA P RP | 73049000 | CARBON STEEL SEAMLESS PIPES ASTM A106 GR.B SIZE 139.7 MM X12.5 MM | 50.00 | 35,292 | 17,64,620 | PUC |
| 2009-10 | 20090807 | CHINA P RP | 73041190 | CARBON STEEL SEAMLESS HOT FINISHED PIPES ASTM A106 GR B SIZE 55MM OD X 4.5MM W | 50.00 | 33,489 | 16,74,428 | PUC |
| 2009-10 | 20090803 | CHINA P RP | 73041990 | SECONDARY DEFECTIVE M.S PIPE OF VARIOUS SIZE AND LENGTH | 49.00 | 18,342 | 8,98,752 | PUC |
| 2009-10 | 20090827 | U K | 73049000 | SECONDARY SURPLUS CARBON STEEL SEAMLESS PIPE. | 48.00 | 20,562 | 9,86,967 | PUC |
| 2009-10 | 20090822 | CHINA P RP | 73043919 | CARBON STEEL SEAMLESS TUBES (SPEC. DIN 17175 ST 35.8)(SIZE 30.0MM OD X 2.50MM X | 48.00 | 38,956 | 18,69,864 | PUC |
| 2009-10 | 20090812 | UNSPECIFIED | 73042390 | DRILL PIPE 5-1/2 S-135/24.7 PPF/RANGE-II/RH/IEU TOOL JOINT: 5-1/2 FH TOOL JOI | 46.31 | 3,44,026 | 1,59,31,689 | PUC |
| 2009-10 | 20090813 | CHINA P RP | 73049000 | CARBON STEEL SEAMLESS PIPES AS PER ASTM 106, GR.B/A53 GR B/API 5L GRB | 46.00 | 28,246 | 12,99,316 | PUC |
| 2009-10 | 20090831 | ITALY | 73043129 | SEAMLESS STEEL TUBES (128.00X9.00X3500.00 ST523) | 45.02 | 69,658 | 31,36,149 | PUC |
| 2009-10 | 20090817 | CHINA P RP | 73049000 | CARBON STEEL SEAMLESS HOT FINISH MOTHER PIPES(114.3X6.02X5000-7000MM | 45.00 | 40,198 | 18,08,907 | PUC |
| 2009-10 | 20090813 | CHINA P RP | 73041190 | PIPES (ASTM A106 GRB/A53 SIZE:4 OD TH:114.3*7 WT/PC:90.505TOTAL PCS 500) | 45.00 | 38,604 | 17,37,163 | PUC |

**Import Data from DGCIS [All Countries PUC]
Apr 2009 to Jun 2012**

| Year | Date | Country | ITC-HS | Item-Des | Quantity (MT) | Price (Rs./MT) | Value (Rs) | PUC/ NPUC |
|---------|----------|-------------|----------|--|---------------|----------------|------------|--------------|
| 2009-10 | 20090820 | CHINA P RP | 73049000 | CARBON SEAMLESS STEEL PIPE(40MN2)(33.38X3.4X5100/5800MM) | 44.00 | 43,834 | 19,28,717 | PUC |
| 2009-10 | 20090812 | CHINA P RP | 73043119 | COLD DRAWN SEAMLESS CARBON STEEL TUBES AS PER DIN 1629/84 ST 37.4 SIZE : 48.30 | 44.00 | 42,666 | 18,77,319 | PUC |
| 2009-10 | 20090831 | U ARAB EMTS | 73049000 | SECONDARY SECOND CHOICE CARBON STEEL SEAMLESS/ WELDED PIPES MIX LOT | 43.00 | 22,162 | 9,52,946 | PUC |
| 2009-10 | 20090806 | CHINA P RP | 73049000 | SEAMLESS TUBES A 106 GR SIZE 37 OD X 11 WT 4000 LG. | 43.00 | 53,881 | 23,16,903 | PUC |
| 2009-10 | 20090826 | CHINA P RP | 73041990 | CARBON STEEL SEAMLESS TUBE API5CT GR.N80 SIZE 168.30MM OD X 12.70 MM THICK X 3 | 43.00 | 47,913 | 20,60,264 | PUC |
| 2009-10 | 20090831 | CHINA P RP | 73043911 | CARBON STEEL SEAMLESS MOTHER PIPE (HOT FINISHED)(978 PCS.) | 43.00 | 41,358 | 17,78,389 | PUC |
| 2009-10 | 20090814 | ITALY | 73043911 | COLD DRWRN SEAMLESS STEEL TUBES-120.00X10.00 X322.00 ST523 | 42.80 | 74,742 | 31,98,593 | PUC |
| 2009-10 | 20090826 | KUWAIT | 73043119 | SECONDARY & DEFECTED M.S. PIPE | 42.00 | 22,136 | 9,29,691 | PUC |
| 2009-10 | 20090817 | CHINA P RP | 73043919 | SEAMLESS CARBON STEEL PIPE | 42.00 | 44,781 | 18,80,814 | PUC |
| 2009-10 | 20090827 | U K | 73049000 | SECONDARY/SURPLUS CARBON STEEL SEAMLESS PIPE. | 41.00 | 20,531 | 8,41,789 | PUC |
| 2009-10 | 20090831 | CHINA P RP | 73045110 | BEARING QUALITY STEEL TUBES SAE 52100 38.6 X 4.0 | 40.73 | 58,440 | 23,80,379 | PUC |
| 2009-10 | 20090827 | U K | 73049000 | SECONDARY/SURPLUS CARBON STEEL SEAMLESS PIPE. | 40.00 | 20,585 | 8,23,415 | PUC |
| 2009-10 | 20090810 | U S A | 73049000 | SECONDARY SECOND CHOICE CARBON STEEL SEAMLESS / WELDED PIPES | 40.00 | 17,275 | 6,91,019 | PUC |
| 2009-10 | 20090803 | CHINA P RP | 73049000 | CARBON STEEL SEAMLESS TUBES SA210 GR.A1 31.8MM X 4.06MM X 11000MM | 39.05 | 49,142 | 19,18,895 | PUC |
| 2009-10 | 20090803 | CHINA P RP | 73049000 | CARBON STEEL SEAMLESS TUBES SA210 GR.A1 31.8MM X 4.06MM X 11000MM | 38.28 | 49,142 | 18,80,937 | PUC |
| 2009-10 | 20090822 | CHINA P RP | 73041910 | SURPLUS SEAM LESS CARBON STEEL PIPES AS PER ASTM A106 GRB 3/4 SCH 80X5800MM | 38.00 | 34,561 | 13,13,305 | PUC |
| 2009-10 | 20090805 | CHINA P RP | 73041990 | HOT FINISHED SEAMLESS CARBON STEEL PIPES- 323.9*35*5-7M (1 BUNDLES= 1 PCS=6.9 | 37.00 | 46,093 | 17,05,458 | PUC |
| 2009-10 | 20090813 | CHINA P RP | 73043119 | COLD DRAWN SEAMLESS CARBON STEEL TUBES AS PER DIN 1629/84 ST 37.4 SIZE 30.00 X | 34.00 | 43,082 | 14,64,781 | PUC |
| 2009-10 | 20090806 | CHINA P RP | 73043939 | HYDRAULIC CYLINDER TUBE - 140*125 | 30.87 | 53,872 | 16,62,770 | PUC |
| 2009-10 | 20090821 | CHINA P RP | 73041110 | M.S SEAMLESS PIPES /TUBES (OD 219.1X20WTX5-5.8L) | 30.25 | 23,376 | 7,07,077 | PUC |
| 2009-10 | 20090828 | CHINA P RP | 73045930 | HOT FINISHED SEAMLESS TUBE267 MM X 7.5 MM | 29.00 | 52,057 | 15,09,643 | PUC |
| 2009-10 | 20090813 | U K | 73049000 | SECONDARY SURPLUS CARBON STEEL SEAMLESS PIPES | 27.00 | 20,925 | 5,64,962 | PUC |
| 2009-10 | 20090820 | U ARAB EMTS | 73049000 | SECONDARY/DEFECTIVE M.S. SEAMLESS PIPE. | 27.00 | 20,416 | 5,51,231 | PUC |
| 2009-10 | 20090820 | KUWAIT | 73049000 | SECONDARY CARBON STEEL PIPES SEAMLESS | 27.00 | 18,458 | 4,98,364 | PUC |
| 2009-10 | 20090803 | CHINA P RP | 73045110 | COLD DRAWN CARBON STEEL SEAMLESS TUBES(MOTHER HOLLOW)60.3X2.85X10400 | 27.00 | 42,764 | 11,54,625 | PUC |
| 2009-10 | 20090819 | SWEDEN | 73043119 | COLD DRAWN SEAMLESS STEEL TUBES (VCE202 230 X 200,00H8) | 26.34 | 1,07,616 | 28,34,921 | PUC |
| 2009-10 | 20090827 | U K | 73049000 | SECONDARY/SURPLUS CARBON STEEL SEAMLESS PIPE. | 26.00 | 20,953 | 5,44,770 | PUC |
| 2009-10 | 20090827 | U K | 73049000 | SECONDARY SURPLUS CARBON STEEL SEAMLESS PIPE. | 26.00 | 20,922 | 5,43,962 | PUC |
| 2009-10 | 20090803 | U K | 73049000 | SECONDARY SECOND CHOICE CARBON STEEL SEAMLESS/WELDED PIPES | 26.00 | 17,589 | 4,57,308 | PUC |
| 2009-10 | 20090824 | CHINA P RP | 73042990 | SEAMLESS STEEL PIPES , ASTM A106 , GRB (273MM X 32MM) | 26.00 | 37,399 | 9,72,379 | PUC |
| 2009-10 | 20090831 | CHINA P RP | 73043119 | SEAMLESS STEEL PIPES ASTM A106/API 5L GR-B | 26.00 | 31,525 | 8,19,656 | PUC |
| 2009-10 | 20090827 | JAPAN | 73049000 | SEAMLESS CARBON STEEL PIPES | 25.00 | 39,355 | 9,83,864 | PUC |
| 2009-10 | 20090827 | JAPAN | 73049000 | SEAMLESS CARBON STEEL PIPES | 25.00 | 39,320 | 9,83,006 | PUC |
| 2009-10 | 20090813 | MALAYSIA | 73049000 | CARBON STEEL SECONDARY DEFECTIVE SEAMLESS PIPES | 25.00 | 20,206 | 5,05,144 | PUC |
| 2009-10 | 20090819 | MALAYSIA | 73049000 | CARBON STEEL SECONDARY DEFECTIVE SEAMLESS PIPES | 25.00 | 20,206 | 5,05,144 | PUC |
| 2009-10 | 20090813 | MALAYSIA | 73049000 | CARBON STEEL SECONDARY DEFECTIVE SEAMLESS PIPES | 25.00 | 20,073 | 5,01,830 | PUC |
| 2009-10 | 20090819 | MALAYSIA | 73049000 | CARBON STEEL SECONDARY DEFECTIVE SEAMLESS PIPES | 25.00 | 20,073 | 5,01,830 | PUC |
| 2009-10 | 20090820 | CHINA P RP | 73042990 | SEAM-LESS STEEL TUBES DIN 1629 IN GRADE ST52.3 (DIM:159 X4.5X3000 MM) | 25.00 | 49,676 | 12,41,896 | PUC |
| 2009-10 | 20090831 | CHINA P RP | 73043119 | COLD DRAWN SEAMLESS TUBE ASME SA 179 SIZE:19.05X2.11X6100 MM | 25.00 | 46,903 | 11,72,584 | PUC |
| 2009-10 | 20090818 | CHINA P RP | 73042990 | SEAMLESS STEEL PIPE API 5L GRADE B 219.1MMX10.31MM | 24.00 | 42,695 | 10,24,684 | PUC |
| 2009-10 | 20090824 | CHINA P RP | 73043911 | CARBON STEEL SEAMLESS PIPE | 24.00 | 32,358 | 7,76,590 | PUC |

**Import Data from DGCIS [All Countries PUC]
Apr 2009 to Jun 2012**

| Year | Date | Country | ITC-HS | Item-Des | Quantity (MT) | Price (Rs./MT) | Value (Rs) | PUC/ NPUC |
|---------|----------|-------------|----------|---|---------------|----------------|------------|--------------|
| 2009-10 | 20090804 | CHINA P RP | 73042910 | OIL FIELD SPARES 2 7/8 6.5 # N80 EUE PUP JOINT 2.44 METER OR 8 FEET | 23.58 | 48,815 | 11,51,268 | PUC |
| 2009-10 | 20090825 | SWEDEN | 73043119 | COLDDRAWN SEAMLESS STEEL TUBES VCE 090 105 X 90 H8 | 23.04 | 89,402 | 20,59,565 | PUC |
| 2009-10 | 20090804 | CHINA P RP | 73049000 | CARBON STEEL SEAMLESS PIPES TO ASTM A-210 GR.A1 | 23.00 | 41,530 | 9,55,199 | PUC |
| 2009-10 | 20090817 | CHINA P RP | 73049000 | CARBON STEEL SEAMLESS HOT FINISH MOTHER PIPES (48.3X5.08X5000-7000MM) | 23.00 | 33,392 | 7,68,015 | PUC |
| 2009-10 | 20090819 | CHINA P RP | 73041190 | CARBON STEEL SEAMLESS HOT FINISHED PIPES ASTM A106/API 5L GR B PSL 1 SIZE 3 NPS | 23.00 | 31,868 | 7,32,965 | PUC |
| 2009-10 | 20090804 | CHINA P RP | 73043119 | SEAMLESS STEEL PIPES ASTM A106 API 5L GR.A | 22.00 | 30,632 | 6,73,903 | PUC |
| 2009-10 | 20090804 | CHINA P RP | 73045110 | BEARING QUALITY STEEL TUBE SAE 52100 38.6 * 4.0 | 21.53 | 58,440 | 12,58,214 | PUC |
| 2009-10 | 20090831 | CHINA P RP | 73043139 | 20 CDS HONED TUBE AND ST-52BK+S CDS HONED TUBE (137X125H8X4500 MM) | 21.30 | 84,826 | 18,07,050 | PUC |
| 2009-10 | 20090811 | U ARAB EMTS | 73049000 | SECONDARY CARBON STEEL SEAMLESS WELDED PIPES,MIXED LOT,MIX SIZES,MIX THICKNESS | 21.00 | 18,705 | 3,92,814 | PUC |
| 2009-10 | 20090821 | CHINA P RP | 73045110 | BEARING QUALITY STEEL TUBE SAE-52100 SIZE 72.8 X 6.6 MM | 21.00 | 45,629 | 9,58,217 | PUC |
| 2009-10 | 20090821 | CHINA P RP | 73043919 | CARBON STEEL SEAMLESS TUBES - SPEC ASTM A106 GR B (SIZE60.3MMODX2.91MMIDX1033M | 21.00 | 43,163 | 9,06,427 | PUC |
| 2009-10 | 20090826 | CHINA P RP | 73049000 | COLD DRAWN SEAMLESS CARBON STEEL TUBES(65.00X5.50X5100-5800MM) | 21.00 | 41,606 | 8,73,726 | PUC |
| 2009-10 | 20090831 | CHINA P RP | 73049000 | CARBON STEEL SEAMLESS PIPES ASTM A 106 GRADE B | 21.00 | 40,762 | 8,56,000 | PUC |
| 2009-10 | 20090831 | CHINA P RP | 73049000 | SEAMLESS CARBON STEEL PIPES 2 OD XXSCH40X5.8M | 21.00 | 38,473 | 8,07,933 | PUC |
| 2009-10 | 20090829 | SWEDEN | 73049000 | OIL FIELD EQUIPMENT: DRILL PIPE 4-1/2 OD X 30FT 17.4PPF, 2-7/8 IF BOX & PIN C | 20.00 | 1,49,970 | 29,99,396 | PUC |
| 2009-10 | 20090831 | U ARAB EMTS | 73049000 | SECONDARY CARBON STEEL PIPES | 20.00 | 21,263 | 4,25,265 | PUC |
| 2009-10 | 20090828 | CHINA P RP | 73043119 | SPHERODIZED ANNEALED SAE52100 SEAMLESS COLD DRAWN TUBES OD WALL THICKNESS 30.97 | 20.00 | 60,696 | 12,13,920 | PUC |
| 2009-10 | 20090812 | CHINA P RP | 73049000 | CARBON STEEL SEAMLESS TUBE ASTM A106 GR.B | 20.00 | 34,230 | 6,84,590 | PUC |
| 2009-10 | 20090803 | CHINA P RP | 73049000 | COLD DRAWN CARBON STEEL STEAMLESSTUBE(28X5X6000 MM) | 20.00 | 26,670 | 5,33,408 | PUC |
| 2009-10 | 20090820 | ROMANIA | 73043939 | SDINPSNA0000C0001 SMLS STEEL PIPES HF ACC: TO: INPS TS 770Q&T (SIZE: 152.60 X | 19.54 | 1,43,246 | 27,99,451 | PUC |
| 2009-10 | 20090818 | CHINA P RP | 73049000 | CARBON STEEL SEAMLESS TUBESA 179 | 19.53 | 49,135 | 9,59,402 | PUC |
| 2009-10 | 20090806 | JAPAN | 73049000 | SEAMLESS ALLOY STEEL TUBES JIS G3441 SCM415TK 29.70MM OD X 22.00MM ID X 4M | 19.24 | 1,27,371 | 24,50,362 | PUC |
| 2009-10 | 20090817 | CHINA P RP | 73045110 | BEARING QUALITY STEEL TUBE SAE-52100, 63/28 IR , 41.0*6.9MM | 19.00 | 49,931 | 9,48,693 | PUC |
| 2009-10 | 20090821 | CHINA P RP | 73045110 | BEARING QUALITY STEEL TUBE SAE- 52100 6304 OR 52.8*5.7MM | 19.00 | 47,788 | 9,07,966 | PUC |
| 2009-10 | 20090807 | CHINA P RP | 73049000 | PRIME CARBON STEEL SEAMLESS PIPE ASTM A106 GR.B | 19.00 | 29,554 | 5,61,530 | PUC |
| 2009-10 | 20090825 | CHINA P RP | 73045110 | CS TUBES, ASME SA179 AS PER ASME SEC II A ED'07+AD'08 20ODX2 WT X 6000 LG | 18.65 | 54,835 | 10,22,700 | PUC |
| 2009-10 | 20090831 | CHINA P RP | 73043911 | ALLOY STEEL SEAMLESS MOTHER PIPES (HOT FINISHED)30 X 3 MIN WT X 11.8 MTR LONG | 18.00 | 1,33,659 | 24,05,869 | PUC |
| 2009-10 | 20090806 | CHINA P RP | 73041190 | CARBON STEEL SEAMLESS PIPES AS PER ASTM A106 GR.A (88.9MM X 5.49MM X 5800M , | 18.00 | 37,833 | 6,80,992 | PUC |
| 2009-10 | 20090822 | CHINA P RP | 73043939 | HYDRAULIC CYLINDER HONED TUBE - 115*100 | 17.01 | 83,787 | 14,24,888 | PUC |
| 2009-10 | 20090807 | CHINA P RP | 73045110 | BEARING QUALITY STEEL TUBE SAE-52100 AND SUJ-3 SIZE 25.1 X 4.4 MM | 17.00 | 64,506 | 10,96,604 | PUC |
| 2009-10 | 20090821 | CHINA P RP | 73049000 | COLD DRAWN SEAMLESS CARBON STEEL TUBES(21.4X2.50X5100-5800MM) | 17.00 | 53,480 | 9,09,154 | PUC |
| 2009-10 | 20090817 | CHINA P RP | 73045110 | BEARING QUALITY STEEL TUBE SAE-52100 AND SUJ-3 SIZE 72.8 X 6.6 MM | 17.00 | 52,485 | 8,92,253 | PUC |
| 2009-10 | 20090812 | CHINA P RP | 73041190 | OILED SEAMLESS CARBON STEEL TUBE ASME SA179 SIZE 31.75X3.2X3050 MM (CARBON MILD | 17.00 | 26,550 | 4,51,347 | PUC |
| 2009-10 | 20090831 | KUWAIT | 73049000 | SECONDARY CARBON STEEL PIPES SEAMLESS | 16.00 | 19,281 | 3,08,494 | PUC |
| 2009-10 | 20090806 | CHINA P RP | 73045110 | COLD DRAWN SEAMLESS PIPES 106 GR. B WITH T.C (38MM X9MM X 5800MM) (477P | 16.00 | 39,392 | 6,30,265 | PUC |
| 2009-10 | 20090807 | CHINA P RP | 73049000 | GLOBAL PIPES SEAMLESS PIPE B36 10ASTM A 106 GR B PE IBR SIZE 0.75 XS160 | 15.35 | 58,994 | 9,05,494 | PUC |
| 2009-10 | 20090831 | JAPAN | 73049000 | COLD DRAWN SEAMLESS TUBE ITEM NO.RGPS006 14.4(+/-0.05) X 10.5(+/-0.1)MM GRADE S | 13.86 | 2,53,155 | 35,08,983 | PUC |
| 2009-10 | 20090831 | JAPAN | 73049000 | COLD DRAWN SEAMLESS TUBE ITEM NO.RGPS021 18.4(+/-0.05) X 11.0(+/-0.1)MM GRADE S | 13.81 | 2,42,490 | 33,47,572 | PUC |
| 2009-10 | 20090821 | CHINA P RP | 73041110 | 3 1/2 9.3# L80 EUE SMIS R2 (DRILL PIPES) | 13.15 | 81,326 | 10,69,090 | PUC |
| 2009-10 | 20090811 | JAPAN | 73049000 | COLD DRAWN SEAMLESS TUBE RGPS028 15.4(+/-0.05) X 10.8(+/-0.1)MM GRADE SCM415H | 13.10 | 2,50,318 | 32,79,169 | PUC |
| 2009-10 | 20090811 | JAPAN | 73049000 | COLD DRAWN SEAMLESS TUBE RGPS006 14.4(+/-0.05) X 10.5(+/-0.1)MM GRADE SCM415H | 12.98 | 2,44,023 | 31,67,913 | PUC |

**Import Data from DGCIS [All Countries PUC]
Apr 2009 to Jun 2012**

| Year | Date | Country | ITC-HS | Item-Des | Quantity (MT) | Price (Rs./MT) | Value (Rs) | PUC/ NPUC |
|---------|----------|-------------|----------|---|---------------|----------------|------------|--------------|
| 2009-10 | 20090821 | CHINA P RP | 73041110 | M.S SEAMLESS PIPES /TUBES (OD 219.1X20WTX5-5.8L) | 12.53 | 23,376 | 2,92,901 | PUC |
| 2009-10 | 20090827 | U ARAB EMTS | 73062919 | SECONDRY SECOND CHOICE CARBON STEEL PIPES | 12.00 | 20,816 | 2,49,787 | PUC |
| 2009-10 | 20090812 | CHINA P RP | 73041910 | ASTM A 106 GRADE B C.S. SEAMLESS STEEL PIPES:- OD(MM) 21.3/WALL THK(MM) 2.77 | 12.00 | 66,283 | 7,95,390 | PUC |
| 2009-10 | 20090813 | CHINA P RP | 73043119 | COLD DRAWN SEAMLESS CARBON STEEL TUBES AS PER DIN 1629/84 ST 37.4 SIZE 30.00 X | 12.00 | 42,231 | 5,06,772 | PUC |
| 2009-10 | 20090801 | CHINA P RP | 73041990 | LINE PIPE 114.3MM, 7.1MM X 46 SEAMLESS (NON-COATED), 53 PCS, EC NO.: ECIN200907 | 11.94 | 45,814 | 5,47,117 | PUC |
| 2009-10 | 20090825 | CHINA P RP | 73049000 | INNER TUBE 30.25* 3.15*564 MM | 11.88 | 50,022 | 5,94,140 | PUC |
| 2009-10 | 20090811 | JAPAN | 73045110 | COLD DRAWN SEAMLESS CARBON STEEL TUBES SAE1040 (SIZE: 89.09MM OD X 80.76MM | 10.00 | 1,10,643 | 11,06,427 | PUC |
| 2009-10 | 20090831 | ROMANIA | 73049000 | CARBON STEEL SEAMLESS PIPESASTM A106 | 10.00 | 41,590 | 4,15,898 | PUC |
| 2009-10 | 20090820 | CHINA P RP | 73042390 | DRILL PIPES OF 2-7/8 OD | 8.53 | 1,68,461 | 14,36,650 | PUC |
| 2009-10 | 20090817 | U ARAB EMTS | 73049000 | SECONDARY CARBON STEEL WELDED SEAMLESS PIPES MIXED LOT,MIX SIZES,MIX THICKNESS | 8.00 | 21,915 | 1,75,320 | PUC |
| 2009-10 | 20090818 | CHINA P RP | 73043911 | CARBON STEEL SEAMLESS PIPE (HOT FINISHED)63.5*5.6*4000-7000MM | 8.00 | 48,001 | 3,84,010 | PUC |
| 2009-10 | 20090801 | CHINA P RP | 73049000 | PRIME CARBON STEEL SEAMLESS PIPES GRADE : ASTM A 106 / GRADE B | 8.00 | 34,137 | 2,73,095 | PUC |
| 2009-10 | 20090826 | U S A | 73041190 | 3.5 X 180 N.C. 31 DRILL PIPE 60 NOS | 7.45 | 1,07,168 | 7,98,079 | PUC |
| 2009-10 | 20090821 | JAPAN | 73049000 | SEAMLESS TUBES GRADE SCM415H O.D.16.20 X I.D.11.0 MM | 6.06 | 2,56,230 | 15,52,103 | PUC |
| 2009-10 | 20090810 | SINGAPORE | 73041910 | SECONDARY STEEL PIPES | 6.00 | 19,793 | 1,18,758 | PUC |
| 2009-10 | 20090811 | U ARAB EMTS | 73049000 | SECONDARY CARBON STEEL SEAMLESS WELDED PIPES,MIXED LOT,MIX SIZES,MIX THICKNESS | 6.00 | 18,019 | 1,08,114 | PUC |
| 2009-10 | 20090825 | SAUDI ARAB | 73049000 | SECONDARY SECOND CARBON STEEL SEAMLESS / WELDED PIPES MIXED THICKNESS MIXED LO | 6.00 | 16,582 | 99,491 | PUC |
| 2009-10 | 20090824 | SAUDI ARAB | 73049000 | SECONDARY SECOND CARBON STEEL SEAMLESS/WELDED PIPES MIXED THICKNESS MIXED LOT | 6.00 | 15,956 | 95,738 | PUC |
| 2009-10 | 20090825 | SAUDI ARAB | 73049000 | SECONDARY SECOND CARBON STEEL SEAMLESS / WELDED PIPES FITTINGS MIXED THICKNESS | 6.00 | 15,858 | 95,147 | PUC |
| 2009-10 | 20090811 | U K | 73042390 | 4.500 OD X 0.337 WT (4 NB SCH 80) API 5L X 52 SEAM LESS PIPE FOR HMF RISER - BO | 5.00 | 2,29,371 | 11,46,857 | PUC |
| 2009-10 | 20090831 | U ARAB EMTS | 73049000 | SECONDARY SECOND CHOICE CARBON STEEL SEAMLESS/ WELDED PIPES MIX LOT | 5.00 | 25,885 | 1,29,423 | PUC |
| 2009-10 | 20090821 | CHINA P RP | 73049000 | COLD DRAWN SEAMLESS CARBON STEEL TUBES(21.4X2.50X5100-5800MM) | 5.00 | 46,557 | 2,32,786 | PUC |
| 2009-10 | 20090831 | CHINA P RP | 73049000 | CARBON STEEL SEAMLESS PIPES TO ASTM A 106 GR.B SURPLUS STOCK | 5.00 | 25,816 | 1,29,079 | PUC |
| 2009-10 | 20090812 | CHINA P RP | 73049000 | COLD DRAWN SEAMLESS STEEL TUBE SCM415H 16.35MM X 10.0MM | 4.53 | 1,17,229 | 5,31,280 | PUC |
| 2009-10 | 20090829 | CHINA P RP | 73043119 | SEAMLESS CARBON STEEL TUBES AS PER DIN STD 2391 36 MM | 4.00 | 70,969 | 2,83,875 | PUC |
| 2009-10 | 20090824 | JAPAN | 73049000 | COLD DRAWN SEAMLESS STEEL TUBE SCM415H 20.35MM X 8.0MM | 3.16 | 2,62,712 | 8,30,959 | PUC |
| 2009-10 | 20090817 | ITALY | 73042910 | PXA1060000000C0002 SMLS STEEL PIPES HF ACC TO: ASTM A106 B OD: 114.30MM I 4.500 | 3.00 | 2,60,037 | 7,80,112 | PUC |
| 2009-10 | 20090831 | U S A | 73049000 | CARBON STEEL SEAMLESS PIPE STOCK LOT | 3.00 | 21,452 | 64,355 | PUC |
| 2009-10 | 20090831 | BELGIUM | 73049000 | M.S.SEAMLESS PIPES SECONDARY SECOND CHOICE MIX | 3.00 | 20,613 | 61,838 | PUC |
| 2009-10 | 20090827 | JAPAN | 73049000 | M.S. LOW CARBON DEFECTIVE SQUARE PIPE, SIZE: 1.6X25X25-40X40X5500MM | 3.00 | 19,922 | 59,765 | PUC |
| 2009-10 | 20090831 | U S A | 73049000 | SECONDARY SECOND CHOICE CARBON STEEL SEAMLESS/WELDED PIPE | 3.00 | 19,151 | 57,454 | PUC |
| 2009-10 | 20090828 | CHINA P RP | 73045930 | HOT FINISHED SEAMLESS TUBE267 MM X 7.5 MM | 3.00 | 55,688 | 1,67,065 | PUC |
| 2009-10 | 20090817 | CHINA P RP | 73045110 | BEARING QUALITYSTEEL TUBE SAE-52100 AND SUJ-3 SIZE 72.8 X 6.6 MM | 3.00 | 50,803 | 1,52,409 | PUC |
| 2009-10 | 20090824 | CHINA P RP | 73049000 | HL, LANCE PIPE, SIZE 3000 MM LONG OD 115.6 MM THICKNESS 8 MM, CHEM COMP - NI-2. | 2.72 | 1,65,219 | 4,49,396 | PUC |
| 2009-10 | 20090826 | U S A | 73041190 | JOINT 31 5 TUBE 4 1/2 IF NON MAG 6 1/2 OD X 2 13/16 ID 2 LTS X 31 INSPECT | 2.35 | 1,30,538 | 3,06,764 | PUC |
| 2009-10 | 20090812 | CHINA P RP | 73049000 | COLD DRAWN SEAMLESS STEEL TUBE SCM415H 17.35MM X 12.0MM | 2.16 | 1,14,363 | 2,47,253 | PUC |
| 2009-10 | 20090814 | U S A | 73041910 | 3/4 OD X .035AW SMLS TUBE 625 50 PC X 120 (SEAMLESS TUBE) (JOB WORK) | 2.00 | 2,94,635 | 5,89,270 | PUC |
| 2009-10 | 20090806 | CHINA P RP | 73045120 | COLD DRAWN SEAMLESS TUBES ASME SA 106 GR. B IBR WITH BV (219.1MM X 6.35MM | 2.00 | 52,596 | 1,05,192 | PUC |
| 2009-10 | 20090826 | CHINA P RP | 73049000 | COLD DRAWN SEAMLESS STEEL TUBE SCM415H 12.35MM X 8MM | 1.26 | 1,13,973 | 1,44,062 | PUC |
| 2009-10 | 20090825 | JAPAN | 73049000 | COLD DRAWN SEAMLESS STEEL TUBE SCM415H 19.35 MM X 11.6 MM | 1.01 | 2,36,052 | 2,37,468 | PUC |
| 2009-10 | 20090826 | GREECE | 73049000 | HOLLOW SCTION 200X200X12.5 EN10219, S355J2H+CERT, CUTTING STAT.NO.73066199 (FRE | 1.00 | 1,41,969 | 1,41,969 | PUC |

**Import Data from DGCIS [All Countries PUC]
Apr 2009 to Jun 2012**

| Year | Date | Country | ITC-HS | Item-Des | Quantity (MT) | Price (Rs./MT) | Value (Rs) | PUC/ NPUC |
|---------|----------|-------------|----------|---|---------------|----------------|--------------|--------------|
| 2009-10 | 20090831 | U ARAB EMTS | 73049000 | ALLOY STEEL SEAMLESS PIPE | 1.00 | 88,449 | 88,449 | PUC |
| 2009-10 | 20090813 | CHINA P RP | 73049000 | CARBON STEEL SEAMLESS PIPES CONFIRMING ASTM A 106 GRADE B | 1.00 | 41,152 | 41,152 | PUC |
| 2009-10 | 20090806 | CHINA P RP | 73041190 | CARBON STEEL SEAMLESS PIPES AS PER ASTM A106 GR.A (60.3MM X 3.91MM X 5800M, | 1.00 | 33,846 | 33,846 | PUC |
| 2009-10 | 20090804 | CHINA P RP | 73041990 | TIE ROD M30(SPARE PARTS FOR CONCRETE PUMP) | 1.00 | 25,967 | 25,967 | PUC |
| 2009-10 | 20090817 | U S A | 73049000 | OILWELL SUPPLIES : LINE, FUEL/BREATHING COMPLETE, FOR DELMAGDIESEL HAMMER MODEL | 0.20 | 80,840 | 16,168 | PUC |
| 2009-10 | 20090817 | BELGIUM | 73049000 | M.S.SEAMLESS PIPES SECONDARY SECOND CHOICE MIX | 0.20 | 54,120 | 10,824 | PUC |
| 2009-10 | 20090810 | U S A | 73049000 | SECONDARY SECOND CHOICE CARBON STEEL SEAMLESS / WELDED PIPES | 0.10 | 68,260 | 6,826 | PUC |
| 2009-10 | 20090810 | U S A | 73049000 | SECONDARY SECOND CHOICE CARBON STEEL SEAMLESS / WELDED PIPES | 0.10 | 68,260 | 6,826 | PUC |
| 2009-10 | 20090803 | U K | 73049000 | SECONDARY SECOND CHOICE CARBON STEEL SEAMLESS / WELDED PIPES | 0.10 | 20,480 | 2,048 | PUC |
| 2009-10 | 20090803 | U K | 73049000 | SECONDARY SECOND CHOICE CARBON STEEL SEAMLESS / WELDED PIPES | 0.10 | 20,480 | 2,048 | PUC |
| 2009-10 | 20090803 | U K | 73049000 | SECONDARY SECOND CHOICE CARBON STEEL SEAMLESS / WELDED PIPES | 0.10 | 20,480 | 2,048 | PUC |
| 2009-10 | 20090812 | JAPAN | 73049000 | SECONDARY/DEFECTIVE CARBON STEEL SEAMLESS PIPE | 0.06 | 32,183 | 1,931 | PUC |
| 2009-10 | 20090813 | CHINA P RP | 73049000 | CARBON STEEL SEAMLESS PIPES AS PER API 5L/A53/ASTM A106 GR.B.PIPES | 0.05 | 33,120 | 1,656 | PUC |
| 2009-10 | 20090827 | CHINA P RP | 73065000 | STEEL PIPE, B-36.10, ASTM A 106 GR.B,BE,SEAMLESS,H2, 3.0 INCH,XS.PI 21917 Z 711 | 0.03 | 61,226 | 1,871 | PUC |
| 2009-10 | 20090817 | U K | 73049000 | SECONDARY SECOND CHOICE CARBON STEEL SEAMLESS / WELDED PIPES | 0.03 | 30,867 | 926 | PUC |
| 2009-10 | 20090813 | CHINA P RP | 73049000 | CARBON STEEL SEAMLESS PIPES AS PER API 5L/ASME SA 106/ASTM A106 GR.PIPES | 0.03 | 35,760 | 894 | PUC |
| 2009-10 | 20090813 | CHINA P RP | 73049000 | CARBON STEEL SEAMLESS PIPES AS PER API 5L/A53/ASTM A106 GR.B PIPES | 0.03 | 33,280 | 832 | PUC |
| 2009-10 | 20090818 | MALAYSIA | 73049000 | CARBON STEEL SECONDARY DEFECTIVE SEAMLESS PIPES | 0.02 | 39,000 | 780 | PUC |
| 2009-10 | 20090818 | MALAYSIA | 73049000 | CARBON STEEL SECONDARY DEFECTIVE SEAMLESS PIPES | 0.02 | 39,000 | 780 | PUC |
| 2009-10 | 20090804 | GERMANY | 73049000 | CARBON STEEL SECONDARY PIPES MIX LOT | 0.02 | 32,150 | 643 | PUC |
| 2009-10 | 20090819 | MALAYSIA | 73049000 | CARBON STEEL SECONDARY DEFECTIVE SEAMLESS PIPES | 0.02 | 29,250 | 585 | PUC |
| 2009-10 | 20090818 | CHINA P RP | 73049000 | CARBON STEEL SEAMLESS TUBE SA 106 GR.B | 0.02 | 38,000 | 760 | PUC |
| 2009-10 | 20090819 | JAPAN | 73049000 | NON ALLOYS SECONDARY SEAMLESS PIPES | 0.01 | 1,33,000 | 1,330 | PUC |
| 2009-10 | 20090813 | MALAYSIA | 73049000 | CARBON STEEL SECONDARY DEFECTIVE SEAMLESS PIPES | 0.01 | 58,500 | 585 | PUC |
| 2009-10 | 20090813 | MALAYSIA | 73049000 | CARBON STEEL SECONDARY DEFECTIVE SEAMLESS PIPES | 0.01 | 48,800 | 488 | PUC |
| 2009-10 | 20090819 | MALAYSIA | 73049000 | CARBON STEEL SECONDARY DEFECTIVE SEAMLESS PIPES | 0.01 | 48,800 | 488 | PUC |
| 2009-10 | 20090910 | RUSSIA | 73042990 | CASING PIPES. SIZE 9 5/8 X 43.5 PPF X R3, BC GRADE: N80(TYPEQ) (47 BDLS = 277 | 3,446.00 | 3,733 | 1,28,64,157 | PUC |
| 2009-10 | 20090916 | BELGIUM | 73041110 | HOT FINISHED SEAMLESS LINE PIPES- SIZE:168.3 X 14.3MM- DTL AS PER INV, B/L & P/ | 3,036.73 | 1,83,924 | 55,85,28,091 | PUC |
| 2009-10 | 20090919 | CHINA P RP | 73041190 | SEAMLESS STEEL LINE PIPE SIZE:193.7MMX14.9MMX11-12M | 2,046.00 | 34,560 | 7,07,09,513 | PUC |
| 2009-10 | 20090929 | CHINA P RP | 73042990 | SEAMLESS PIPE 114.3X7.9MMX46 3 LAYER POLYETHYLENE COATED (6686 PCS) | 1,658.54 | 55,322 | 9,17,54,168 | PUC |
| 2009-10 | 20090919 | CHINA P RP | 73041190 | SEAMLESS STEEL LINE PIPE SIZE:168.3MMX11.6MMX11-12M | 1,127.00 | 34,640 | 3,90,39,049 | PUC |
| 2009-10 | 20090930 | CHINA P RP | 73042990 | SEAMLESS PIPE 114.3X7.9MMX46 3 LAYER POLYETHYLENE COATED (3501 PCS) | 870.94 | 55,323 | 4,81,82,972 | PUC |
| 2009-10 | 20090929 | CHINA P RP | 73041990 | SEAMLESS PIPES. PO NO.4050004753 (SEAMLESS PIPE 60.3 X 5.5MM X 46 3 LAYER POLYE | 847.11 | 60,655 | 5,13,81,132 | PUC |
| 2009-10 | 20090930 | JAPAN | 73042990 | 9 5/8 CASING 47PPF L80,BTC R3 (977PCS) | 823.92 | 61,511 | 5,06,79,500 | PUC |
| 2009-10 | 20090911 | RUSSIA | 73042990 | CASING PIPES. SIZE 9 5/8 X 43.5 PPF XR3, BC GRADE:N80(TYPE Q) (178 BDLS = 987 | 776.02 | 57,670 | 4,47,53,160 | PUC |
| 2009-10 | 20090915 | CHINA P RP | 73041990 | CARBON STEEL SEAMLESS HOT FINISHED PIPES ASTM A 106/API 5L GR B PSL 1: NPS 6 | 741.00 | 35,128 | 2,60,29,736 | PUC |
| 2009-10 | 20090930 | CHINA P RP | 73042990 | CASING PIPES 5 1/2 L-80, 17 PPF BTC | 628.35 | 36,983 | 2,32,38,168 | PUC |
| 2009-10 | 20090917 | ITALY | 73043119 | SEAMLESS COLD DRAWN TUBES FOR HYDRAULIC CYLINDERS | 563.00 | 6,789 | 38,22,104 | PUC |
| 2009-10 | 20090930 | CHINA P RP | 73049000 | SEAMLESS PIPES FOR TWO SHIPS (YARD 329 330) :- SPEC:JIS 3454 STP G370 - (318.5 | 411.00 | 42,611 | 1,75,13,105 | PUC |
| 2009-10 | 20090902 | U S A | 73049000 | CARBON STEEL SEAMLESS PIPES STOCK LOT MIX SIZE | 393.00 | 21,694 | 85,25,678 | PUC |

**Import Data from DGCIS [All Countries PUC]
Apr 2009 to Jun 2012**

| Year | Date | Country | ITC-HS | Item-Des | Quantity (MT) | Price (Rs./MT) | Value (Rs) | PUC/ NPUC |
|---------|----------|-------------|----------|---|---------------|----------------|-------------|--------------|
| 2009-10 | 20090904 | CHINA P RP | 73049000 | SEAMLESS PIPE, BE,10 INCH, B36.10, SCH 40, ASTM A106 GR.B | 344.32 | 23,846 | 82,10,726 | PUC |
| 2009-10 | 20090901 | CHINA P RP | 73049000 | SEAMLESS CARBON STEEL PIPE (ASTM A106 GR.B/API 5L GR.B) 6 ,8 ,10,12 X SCH 40, | 315.00 | 36,039 | 1,13,52,254 | PUC |
| 2009-10 | 20090909 | GERMANY | 73049000 | CARBON STEEL SEAMLESS PIPE (SECOND CHOICE / DEFECTIVE) | 297.00 | 27,785 | 82,52,130 | PUC |
| 2009-10 | 20090922 | CHINA P RP | 73049000 | HOT FINISHED SEAMLESS STEEL TUBE-GRADE 37MN | 288.00 | 52,380 | 1,50,85,554 | PUC |
| 2009-10 | 20090923 | U S A | 73049000 | CARBON STEEL SEAMLESS PIPES STOCK LOT MIX SIZES | 287.00 | 21,741 | 62,39,594 | PUC |
| 2009-10 | 20090910 | RUSSIA | 73042990 | CASING PIPES. SIZE-9 5/8 X 43.5 PPF X R3, BC, GRADE:N80(TYPE Q) (70 BDLS = 359 | 284.16 | 57,670 | 1,63,87,376 | PUC |
| 2009-10 | 20090926 | CHINA P RP | 73042990 | CASING PIPES 9-5/8 , J-55 40PPF BTC(INVOICE NO.MUL/ONGC/5359-IN-3-2 DT.30/7/09) | 282.87 | 35,739 | 1,01,09,531 | PUC |
| 2009-10 | 20090922 | U S A | 73041910 | SEAMLESS PIPES B - 36.19,ASTM B 165 ANNLD (UNS NO.4400) PE, SIZE :- .0.75 INC | 282.00 | 21,450 | 60,48,815 | PUC |
| 2009-10 | 20090909 | CHINA P RP | 73049000 | SEAMLESS STEEL CASING & PUP JOINTS 9-5/8 47# L80 FOX R3 (CASING 248.370 MTS) | 243.92 | 77,731 | 1,89,60,432 | PUC |
| 2009-10 | 20090908 | CHINA P RP | 73049000 | SEAMLESS CARBON STEEL PIPE SIZE 12 X STD X 5.8M | 233.00 | 35,986 | 83,84,822 | PUC |
| 2009-10 | 20090908 | CHINA P RP | 73041910 | SEAMLESS STEEL PIPE ASTMA 106GRB/AP15L GR.B 6 SCH 40 6M | 230.00 | 38,279 | 88,04,270 | PUC |
| 2009-10 | 20090918 | SPAIN | 73049000 | SECONDARY WIRE RODS(NON ALLOY) | 214.00 | 21,301 | 45,58,322 | PUC |
| 2009-10 | 20090914 | CHINA P RP | 73045920 | SEAMLESS STEEL PIPES FOR CYLINDER 108.00 MM X 4.0 MM X 5.620 MM | 197.00 | 46,151 | 90,91,827 | PUC |
| 2009-10 | 20090907 | CHINA P RP | 73049000 | PRIME CARBON STEEL SEAMLESS BLACK PIPES GRADE : API5L/ASTM A106/A53 GR.B | 196.00 | 32,553 | 63,80,374 | PUC |
| 2009-10 | 20090920 | CHINA P RP | 73049000 | PRIME CARBON STEEL SEAMLESS PIPES GRADE : ASTM A 106 GR.B / API5L GR.B | 185.28 | 33,835 | 62,68,772 | PUC |
| 2009-10 | 20090916 | BELGIUM | 73049000 | NON ALLOY SECONDARY SECOND CHOICE CARBON STEEL SEAMLESS/WELD PIPE MIXED | 176.00 | 27,482 | 48,36,828 | PUC |
| 2009-10 | 20090901 | CHINA P RP | 73049000 | HOT FINISHED SEAMLESS TUBE (GRADE 37MN) | 174.00 | 50,434 | 87,75,552 | PUC |
| 2009-10 | 20090930 | BELGIUM | 73049000 | NON ALLOY SECONDARY SECOND CHOICE CARBON STEEL SEAMLESS TUBES/WELD PIPE MIXED | 173.00 | 27,490 | 47,55,832 | PUC |
| 2009-10 | 20090918 | CROATIA | 73042990 | SEAMLESS CASING 9 5/8 36#K55 BTC SMLS R3 | 172.27 | 45,520 | 78,41,937 | PUC |
| 2009-10 | 20090918 | CHINA P RP | 73049000 | CARBON STEEL SEAMLESS PIPES AS PER API 5L/A53/ASTM A106 GR.B. PIPES | 167.80 | 33,490 | 56,19,622 | PUC |
| 2009-10 | 20090925 | GERMANY | 73049000 | CARBON STEEL SECONDARY / DEFECTIVE SEAMLESS PIPES | 154.00 | 23,437 | 36,09,256 | PUC |
| 2009-10 | 20090903 | OMAN | 73061911 | SECONDARY/DEFECTIVE MS PIPES OF MIX SIZES | 149.00 | 18,711 | 27,88,013 | PUC |
| 2009-10 | 20090907 | SAUDI ARAB | 73049000 | SECONDARY SECOND CARBON STEEL SEAMLESS / WELDED PIPES MIXED THICKNESS MIXED LO | 148.00 | 14,992 | 22,18,771 | PUC |
| 2009-10 | 20090910 | U S A | 73043911 | SECONDARY DEFECTIVE MS SEAMLESS PIPE | 146.00 | 24,159 | 35,27,181 | PUC |
| 2009-10 | 20090914 | U S A | 73049000 | CARBON STEEL SEAMLESS PIPES STOCK LOT MIX SIZES | 146.00 | 21,760 | 31,76,946 | PUC |
| 2009-10 | 20090929 | U S A | 73049000 | CARBON STEEL SEAMLESS PIPES STOCK LOT MIX SIZES | 146.00 | 21,694 | 31,67,300 | PUC |
| 2009-10 | 20090924 | OMAN | 73061911 | SECONDARY/DEFECTIVE MS PIPES OF MIX SIZES | 129.00 | 18,564 | 23,94,775 | PUC |
| 2009-10 | 20090914 | U S A | 73049000 | SECONDARY SECOND CHOICE CARBON STEEL SEAMLESS / WELDED PIPES | 129.00 | 17,374 | 22,41,287 | PUC |
| 2009-10 | 20090902 | CHINA P RP | 73049000 | CARBON STEEL SEAMLESS PIPES MIX LOT | 125.00 | 24,132 | 30,16,562 | PUC |
| 2009-10 | 20090918 | CHINA P RP | 73069090 | SEAMLESS CARBON STEEL PIPES API 5L/ASTM A106 GR.B SIZE : 2 SCH80(60.3MM X 5.54 | 123.00 | 37,486 | 46,10,730 | PUC |
| 2009-10 | 20090902 | CHINA P RP | 73049000 | CARBON STEEL SEAMLESS PIPES STOCK LOT MIX LOT | 123.00 | 24,133 | 29,68,298 | PUC |
| 2009-10 | 20090907 | CHINA P RP | 73043119 | SEAMLESS STEEL PIPES AS PER ASTM A106/API 5L GR B | 121.00 | 34,757 | 42,05,632 | PUC |
| 2009-10 | 20090925 | CHINA P RP | 73045110 | BEARING QUALITY STEEL TUBE SAE-52100 AND SUJ-3 SIZE:62.7X5.1MM | 120.00 | 53,775 | 64,52,981 | PUC |
| 2009-10 | 20090914 | CHINA P RP | 73042990 | SEAMLESS CASING 5 1/2 17#K55 STC SMLS R3 | 119.27 | 46,049 | 54,92,300 | PUC |
| 2009-10 | 20090914 | CHINA P RP | 73045110 | BEARING QUALITY STEEL TUBE SAE-52100 AND SUJ-3 SIZE 21.05 X3.35 MM | 117.00 | 55,972 | 65,48,773 | PUC |
| 2009-10 | 20090924 | CHINA P RP | 73045110 | BEARING QUALITY STEEL TUBE SAE-52100 SIZE 51.25X35.61 MM | 115.00 | 54,950 | 63,19,243 | PUC |
| 2009-10 | 20090904 | JAPAN | 73049000 | CARBON STEEL SECONDARY SEAMLESS PIPES | 109.00 | 20,438 | 22,27,786 | PUC |
| 2009-10 | 20090902 | U ARAB EMTS | 73049000 | SECONDARY/DEFECTIVE CARBONSTEEL SEAMLESS & WELDED PIPES | 107.00 | 17,963 | 19,22,038 | PUC |
| 2009-10 | 20090929 | CHINA P RP | 73049000 | HOT FINISHED SEAMLESS TUBE (GRADE 37MN) | 106.00 | 48,603 | 51,51,895 | PUC |
| 2009-10 | 20090907 | U ARAB EMTS | 73049000 | CARBON STEEL PIPE SECONDARY/DEFECTIVE | 105.00 | 21,209 | 22,26,895 | PUC |
| 2009-10 | 20090917 | U ARAB EMTS | 73049000 | CARBON STEEL SEAMLESS PIPES (SECONDARY DEFECTIVE) | 105.00 | 21,207 | 22,26,685 | PUC |

**Import Data from DGCIS [All Countries PUC]
Apr 2009 to Jun 2012**

| Year | Date | Country | ITC-HS | Item-Des | Quantity (MT) | Price (Rs./MT) | Value (Rs) | PUC/ NPUC |
|---------|----------|-------------|----------|---|---------------|----------------|-------------|--------------|
| 2009-10 | 20090925 | SINGAPORE | 73049000 | SECONDARY CARBON STEEL SEAMLESS PIPES | 104.00 | 22,461 | 23,35,940 | PUC |
| 2009-10 | 20090914 | U ARAB EMTS | 73043911 | M S SECONDARY & DEFECTIVE SEAMLESS PIPES | 104.00 | 18,589 | 19,33,210 | PUC |
| 2009-10 | 20090924 | CHINA P RP | 73043919 | CARBON STEEL SEAMLESS TUBES (SPEC.DIN 17175 ST 35.8)(SIZE 27.00MM OD X2.60MM TH | 102.00 | 39,799 | 40,59,539 | PUC |
| 2009-10 | 20090904 | SAUDI ARAB | 73049000 | SECONDARY SECOND CARBON STEEL SEAMLESS / WELDED PIPES FITTINGS MIXED THICKNESS | 98.00 | 15,017 | 14,71,710 | PUC |
| 2009-10 | 20090918 | CHINA P RP | 73045110 | BEARING QUALITY STEEL TUBE SAE-52100 AND SUJ-3 SIZE:21.05X3.35MM | 98.00 | 56,777 | 55,64,177 | PUC |
| 2009-10 | 20090922 | CHINA P RP | 73049000 | HOT FINISHED SEAMLESS TUBE (GRADE CHROMIUM MOLYBDENUM STEEL) | 97.00 | 55,444 | 53,78,100 | PUC |
| 2009-10 | 20090924 | CHINA P RP | 73043919 | CARBON STEEL SEAMLESS TUBES(SPEC.DIN 17175 ST 35.8)SIZE 33.40MM OD X 3.40MM THK | 97.00 | 39,581 | 38,39,372 | PUC |
| 2009-10 | 20090907 | SAUDI ARAB | 73049000 | SECONDARY SECOND CARBON STEEL SEAMLESS / WELDED PIPES MIXEDTHICKNESS MIXED LOT | 96.00 | 15,003 | 14,40,334 | PUC |
| 2009-10 | 20090908 | CHINA P RP | 73045110 | BEARING QUALITY STEEL TUBE SAE-52100 SIZE 19.9 X 2.75 MM | 96.00 | 52,041 | 49,95,953 | PUC |
| 2009-10 | 20090918 | CHINA P RP | 73045110 | BEARING QUALITY STEEL TUBE SAE-52100 SIZE 35.6 X 3.6 MM | 96.00 | 49,709 | 47,72,035 | PUC |
| 2009-10 | 20090901 | CHINA P RP | 73043911 | C.S.PIPE SEAMLESS 273*38.1 | 96.00 | 46,222 | 44,37,356 | PUC |
| 2009-10 | 20090930 | CHINA P RP | 73043939 | SEAMLESS CARBON STEEL PIPES OD 273 X 36 X 6000 GRADE SA 106 GRB(14 PCS) | 94.72 | 58,356 | 55,27,375 | PUC |
| 2009-10 | 20090903 | CHINA P RP | 73043119 | SUPPLY OF SEAMLESS COLD DRAWN LOW CARBON STEEL TUBES (SA 179 OD51MM X WT2MM X L | 90.56 | 47,671 | 43,17,072 | PUC |
| 2009-10 | 20090918 | CHINA P RP | 73043119 | SEAMLESS CARBON STEEL LINE PIPES AS PER ASME SA 106 GR.B/API 5L PSL 1 GR.B SIZE | 90.00 | 42,372 | 38,13,473 | PUC |
| 2009-10 | 20090922 | KUWAIT | 73049000 | SECONDARY CARBON STEEL PIPE SEAMLESS | 89.00 | 22,245 | 19,79,776 | PUC |
| 2009-10 | 20090907 | U ARAB EMTS | 73049000 | M.S. SECONDARY & DEFECTIVE SEMLESS PIPES | 89.00 | 18,819 | 16,74,911 | PUC |
| 2009-10 | 20090923 | CHINA P RP | 73043911 | CARBON STEEL SEAMLESS MOTHER PIPE (HOT FINISHED)OD26MM,WT2.7MM, LENGTH11.175MM | 89.00 | 40,814 | 36,32,432 | PUC |
| 2009-10 | 20090917 | CHINA P RP | 73043119 | COLD DRAWN SEAMLESS STEEL TUBES AS PER DIN STD 2391 50MM | 83.00 | 47,442 | 39,37,666 | PUC |
| 2009-10 | 20090909 | CHINA P RP | 73043119 | SEAMLESS CARBON STEEL TUBES AS PER DIN STD 2391 50 MM | 83.00 | 47,442 | 39,37,665 | PUC |
| 2009-10 | 20090922 | ITALY | 73043911 | COLD DRAWN SEAMLESS STEEL TUBES 92.00X6.00X3500.00 ST523 | 81.52 | 96,916 | 79,00,673 | PUC |
| 2009-10 | 20090924 | TAIWAN | 73042910 | HR PIPE ROUND-KD.OD 41.5MM X3.6MM X200MM | 81.34 | 1,23,553 | 1,00,50,266 | PUC |
| 2009-10 | 20090916 | SWEDEN | 73049000 | NON ALLOY SEAMLESS TUBES SECONDS-CHEMICAL COMPOSITIONS MAX.-C:0.22%,SI:0.35%,MN | 81.00 | 27,364 | 22,16,469 | PUC |
| 2009-10 | 20090925 | U K | 73049000 | SECONDARY SURPLUS CARBON STEEL PIPES | 81.00 | 20,631 | 16,71,145 | PUC |
| 2009-10 | 20090908 | U S A | 73049000 | SECONDARY DEFECTIVE CARBON STEEL SEAMLESS PIPES | 81.00 | 19,956 | 16,16,414 | PUC |
| 2009-10 | 20090912 | JAPAN | 73062919 | SMLS 9-5/8 CASINGS 47PPF GRADE L80 R3 (MTRS) | 79.59 | 1,55,097 | 1,23,43,706 | PUC |
| 2009-10 | 20090925 | U K | 73049000 | CARBON STEEL SEAMLESS PIPES (SECONDARY/DEFECTIVE) | 79.00 | 20,647 | 16,31,123 | PUC |
| 2009-10 | 20090922 | U K | 73049000 | SECONDARY SECOND CHOICE CARBON STEEL SEAMLESS / WELDED PIPES STOCK LOT | 79.00 | 17,256 | 13,63,260 | PUC |
| 2009-10 | 20090904 | U K | 73049000 | CARBON STEEL SEAMLESS PIPE SECONDARY DEFECTIVE | 78.00 | 22,469 | 17,52,605 | PUC |
| 2009-10 | 20090923 | U K | 73049000 | SECONDARY SECOND CHOICE CARBON STEEL SEAMLESS / WELDED PIPES STOCK LOT | 78.00 | 17,256 | 13,46,004 | PUC |
| 2009-10 | 20090908 | CHINA P RP | 73043911 | CARBON STEEL SEAMLESS PIPE (HOT FINISHED)2 XSCH80X5000-7000 | 78.00 | 40,657 | 31,71,232 | PUC |
| 2009-10 | 20090908 | U ARAB EMTS | 73049000 | CARBON STEEL SECONDARY PIPE | 77.00 | 20,637 | 15,89,058 | PUC |
| 2009-10 | 20090915 | CHINA P RP | 73045110 | BEARING QUALITY STEEL TUBE SAE-52100, 6200 IR 17.4*4.0MM | 77.00 | 50,143 | 38,61,040 | PUC |
| 2009-10 | 20090908 | CHINA P RP | 73045110 | BEARING QUALITY STEEL TUBE SAE-52100 SIZE 21.4 X 3.5 MM | 75.00 | 49,876 | 37,40,733 | PUC |
| 2009-10 | 20090918 | CHINA P RP | 73069090 | SEAMLESS STEEL PIPES API 5L/ASTM A106 GR.B SIZE : 10 SCH40 (273.1MM X 9.27MM) | 74.00 | 37,388 | 27,66,696 | PUC |
| 2009-10 | 20090916 | CHINA P RP | 73049000 | COLD DRAWN SEAMLESS PIPES SAE 1040 CDS 5 SIZE 70 X 7.53 X 5392 MM | 73.00 | 42,367 | 30,92,802 | PUC |
| 2009-10 | 20090909 | CHINA P RP | 73069090 | PRIME CDS HOLLOW SEAMLESS TUBES SAE1040 50.80 X 7.50 LENGTH 5400MM | 72.00 | 45,248 | 32,57,874 | PUC |
| 2009-10 | 20090915 | CHINA P RP | 73042390 | PLAIN END SEAMLESS PIPES AISI 1340 [139.70 ODX 31.75 WT X 8230 LENGTH]MM [72.78 | 71.62 | 50,055 | 35,84,809 | PUC |
| 2009-10 | 20090910 | SPAIN | 73043911 | RIFLE TUBES TO SPEC SA210 (CARBON STEEL)51 X 7,1 MM. X 12150 MM. | 71.00 | 1,56,329 | 1,10,99,384 | PUC |
| 2009-10 | 20090902 | CHINA P RP | 73045110 | BEARING QUALITY STEEL TUBE SAE-52100 SIZE 42.8 X 4.5 MM | 71.00 | 52,351 | 37,16,950 | PUC |
| 2009-10 | 20090904 | CHINA P RP | 73041910 | HOT FINISHED SEAMLESS ALLOY STEEL PIPES - SIZE:273.1*33*4-7M (WT.68.167 MTS) | 68.02 | 1,08,091 | 73,52,627 | PUC |
| 2009-10 | 20090924 | CHINA P RP | 73049000 | CARBON STEEL SEAMLESS PIPES, ASTM A 106 GR B STOCK SURPLUSE | 67.00 | 24,754 | 16,58,494 | PUC |

**Import Data from DGCIS [All Countries PUC]
Apr 2009 to Jun 2012**

| Year | Date | Country | ITC-HS | Item-Des | Quantity (MT) | Price (Rs./MT) | Value (Rs) | PUC/ NPUC |
|---------|----------|-------------|----------|---|---------------|----------------|------------|--------------|
| 2009-10 | 20090907 | CHINA P RP | 73043139 | HYDRAULIC CYLINDER TUBE SIZE : 90 X 75 MM | 66.40 | 25,114 | 16,67,544 | PUC |
| 2009-10 | 20090908 | CHINA P RP | 73045110 | BEARING QUALITY STEEL TUBE SAE-52100 SIZE 72.8 X 6.6 MM | 65.00 | 49,836 | 32,39,334 | PUC |
| 2009-10 | 20090903 | KUWAIT | 73049000 | SECONDARY CARBON STEEL PIPES SEAMLESS | 63.00 | 18,708 | 11,78,623 | PUC |
| 2009-10 | 20090910 | U S A | 73049000 | SECONDARY CARBON STEEL SEAMLESS PIPE SECOND CHOICE | 61.00 | 31,572 | 19,25,872 | PUC |
| 2009-10 | 20090916 | U S A | 73049000 | SECONDERY CARBON STEEL SEAMLESSPIPE SECOND CHOICE | 60.00 | 31,812 | 19,08,694 | PUC |
| 2009-10 | 20090925 | U K | 73049000 | SECONDARY SURPLUS CARBON STEEL PIPES | 54.00 | 20,435 | 11,03,479 | PUC |
| 2009-10 | 20090917 | U ARAB EMTS | 73049000 | CARBON STEEL SEAMLESS PIPES (SECONDARY DEFECTIVE) | 52.00 | 21,259 | 11,05,455 | PUC |
| 2009-10 | 20090915 | U ARAB EMTS | 73049000 | CARBON STEEL SEAMLESS PIPES (SECONDARY/DEFECTIVE) | 52.00 | 20,561 | 10,69,174 | PUC |
| 2009-10 | 20090908 | U ARAB EMTS | 73049000 | CARBON STEEL SECONDARY PIPES | 51.00 | 20,644 | 10,52,838 | PUC |
| 2009-10 | 20090904 | U K | 73049000 | CARBON STEEL SECONDRY SEAMLESS PIPE. | 51.00 | 20,620 | 10,51,613 | PUC |
| 2009-10 | 20090922 | TAIWAN | 73042990 | DO ORIGINAL MATERIAL PIPES STKM 13C DIA 124.7MM X 150MM | 50.88 | 26,721 | 13,59,528 | PUC |
| 2009-10 | 20090915 | OMAN | 73049000 | CARBON STEEL SECONDARY SEAMLESS PIPES | 50.00 | 20,542 | 10,27,109 | PUC |
| 2009-10 | 20090905 | U ARAB EMTS | 73062919 | SECONDRY SECOND CHOICE CARBON STEEL PIPES | 50.00 | 20,265 | 10,13,270 | PUC |
| 2009-10 | 20090922 | U S A | 73049000 | SECONDARY SECOND CHOICE CARBON STEEL SEAMLESS / WELDED PIPES | 50.00 | 17,256 | 8,62,823 | PUC |
| 2009-10 | 20090922 | NETHERLAND | 73049000 | SECONDARY CARBON STEEL SEAMLESS AND / OR WELDED PIPES, MIXED LOT. | 49.00 | 20,659 | 10,12,289 | PUC |
| 2009-10 | 20090930 | OMAN | 73049000 | CARBON STEEL SECONDARY SEAMLESS PIPES | 49.00 | 20,486 | 10,03,831 | PUC |
| 2009-10 | 20090902 | U S A | 73049000 | SECONDARY/ DEFECTIVE MS SEAMLESS PIPE | 48.00 | 13,887 | 6,66,590 | PUC |
| 2009-10 | 20090907 | CHINA P RP | 73043911 | CARBON STEEL SEAMLESS MOTHER PIPE (HOT FINISHED)OD25.4MM*W/T2.77MM*9000MM ST35. | 48.00 | 48,058 | 23,06,797 | PUC |
| 2009-10 | 20090907 | CHINA P RP | 73049000 | CARBON STEEL SEAMLESS PIPE ASTM A106 GR.B | 48.00 | 29,658 | 14,23,601 | PUC |
| 2009-10 | 20090918 | SPAIN | 73049000 | SECONDARY WIRE RODS(NON ALLOY) | 47.00 | 21,451 | 10,08,197 | PUC |
| 2009-10 | 20090904 | GERMANY | 73049000 | CARBON STEEL SECONDRY SEMALESS PIPES. | 47.00 | 20,778 | 9,76,570 | PUC |
| 2009-10 | 20090902 | U ARAB EMTS | 73049000 | NON ALLOYS STEEL SECONDARY CARBON STEEL SEAMLESSWELDED PIPE | 47.00 | 17,431 | 8,19,277 | PUC |
| 2009-10 | 20090924 | CHINA P RP | 73049000 | CARBON STEEL SEAMLESS PIPES, ASTM A 106 GR BSTOCK SURPLUSE | 47.00 | 24,744 | 11,62,965 | PUC |
| 2009-10 | 20090902 | CHINA P RP | 73049000 | COLD DRAWN SEAMLESS CARBON STEEL TUBES(65.00X5.50X5100-5800MM) | 46.00 | 40,731 | 18,73,636 | PUC |
| 2009-10 | 20090915 | U K | 73049000 | SECONDARY DEFECTIVE NON ALLOY STEEL BARS | 44.00 | 22,678 | 9,97,838 | PUC |
| 2009-10 | 20090910 | SPAIN | 73043911 | SEAMLESS STEEL TUBES TO SPEC SA 210 (CARBON STEEL)63.5 X 12 MM. X 12150 MM. | 43.00 | 1,51,224 | 65,02,618 | PUC |
| 2009-10 | 20090922 | BELGIUM | 73049000 | SECONDARY CARBON STEEL SEAMLESS AND/OR WELDED PIPES, MIXED LOT | 43.00 | 20,499 | 8,81,474 | PUC |
| 2009-10 | 20090918 | KUWAIT | 73049000 | SECONDARY CARBON STEEL PIPES SEAMLESS | 43.00 | 18,717 | 8,04,821 | PUC |
| 2009-10 | 20090918 | CHINA P RP | 73045110 | BEARING QUALITY STEEL TUBE SAE52100. 98205 IR ,33.96 X 24.78MM | 42.61 | 48,377 | 20,61,156 | PUC |
| 2009-10 | 20090915 | GERMANY | 73049000 | SEAMLESS PIPES DIN 2488, ST 35 8/L,P235 GH 108.0 X 8.00 6-7M | 42.27 | 86,226 | 36,45,158 | PUC |
| 2009-10 | 20090915 | GERMANY | 73049000 | SEAMLESS PIPES DIN 2488, ST 35 8/L,P235 GH 108.0 X 8.00 6-7M | 42.27 | 86,226 | 36,45,158 | PUC |
| 2009-10 | 20090915 | GERMANY | 73049000 | SEAMLESS PIPES DIN 2488, ST 35 8/L,P235 GH 108.0 X 8.00 6-7M | 42.27 | 86,226 | 36,45,158 | PUC |
| 2009-10 | 20090907 | CHINA P RP | 73043119 | SEAMLESS STEEL PIPES AS PER ASTM A106/API 5L GR.B | 42.00 | 35,096 | 14,74,049 | PUC |
| 2009-10 | 20090907 | CHINA P RP | 73042990 | TUBING 2-3/8 INCH 4.7 PPF. P-110, EUE R2 (OIL FIELD EQP) - 42.114 MTS DGH CET. | 40.27 | 61,088 | 24,60,242 | PUC |
| 2009-10 | 20090915 | CHINA P RP | 73049000 | SEAMLESS STEEL TUBE | 40.00 | 46,872 | 18,74,860 | PUC |
| 2009-10 | 20090929 | CHINA P RP | 73042990 | SEAMLESS PIPE 114.3X7.9MMX46 3 LAYER POLYTHYLENE COATED (165 PCS) | 39.71 | 55,324 | 21,96,934 | PUC |
| 2009-10 | 20090915 | U K | 73049000 | SECONDARY DEFECTIVE NON ALLOY STEEL BARS | 38.00 | 22,587 | 8,58,302 | PUC |
| 2009-10 | 20090901 | CHINA P RP | 73049000 | CARBON STEEL SEAMLESS PIPE API 5L GR B/ASTMA53 GR.B/A106 GR.B | 37.00 | 29,574 | 10,94,236 | PUC |
| 2009-10 | 20090904 | AUSTRALIA | 73049000 | SEAMLESS CARBON STEEL PIPES | 33.00 | 27,662 | 9,12,849 | PUC |
| 2009-10 | 20090920 | CHINA P RP | 73049000 | PRIME CARBON STEEL SEAMLESS PIPES GRADE : ASTM A 106 GR.B / API5L GR.B | 30.52 | 33,835 | 10,32,637 | PUC |
| 2009-10 | 20090901 | CHINA P RP | 73049000 | CARBON STEEL SEAMLESS TUBE ASTM A 106 | 30.00 | 35,837 | 10,75,118 | PUC |

**Import Data from DGCIS [All Countries PUC]
Apr 2009 to Jun 2012**

| Year | Date | Country | ITC-HS | Item-Des | Quantity (MT) | Price (Rs./MT) | Value (Rs) | PUC/ NPUC |
|---------|----------|-------------|----------|---|---------------|----------------|------------|--------------|
| 2009-10 | 20090915 | U K | 73049000 | SECONDARY DEFECTIVE NON ALLOY STEEL BILLET | 29.00 | 18,281 | 5,30,163 | PUC |
| 2009-10 | 20090930 | CHINA P RP | 73043119 | COLD ROLLED SEAMLESS CARBON STEEL BOILER TUBES. MOC: A192 (38.1MM X 3.4MM X 587 | 29.00 | 50,736 | 14,71,333 | PUC |
| 2009-10 | 20090904 | KUWAIT | 73049000 | SECONDARY CARBON STEEL PIPE SEAMLESS | 27.00 | 18,905 | 5,10,442 | PUC |
| 2009-10 | 20090915 | U ARAB EMTS | 73049000 | SECONDARY SECOND CHOICE CARBON STEEL SEAMLESS / WELDED PIPES | 27.00 | 17,237 | 4,65,412 | PUC |
| 2009-10 | 20090916 | U K | 73049000 | SECONDARY SURPLUS CARBON STEEL SEAMLESS PIPE. | 26.00 | 20,906 | 5,43,561 | PUC |
| 2009-10 | 20090915 | U K | 73049000 | SECONDARY DEFECTIVE NON ALLOY STEEL BILLET | 26.00 | 18,342 | 4,76,895 | PUC |
| 2009-10 | 20090918 | U K | 73049000 | SECONDARY SECOND CHOICE CARBON STEEL SEAMLESS / WELDED PIPES | 26.00 | 17,323 | 4,50,394 | PUC |
| 2009-10 | 20090916 | KUWAIT | 73049000 | SECONDARY CARBON STEEL PIPES SEAMLESS | 25.00 | 22,517 | 5,62,928 | PUC |
| 2009-10 | 20090916 | U K | 73049000 | SECONDARY SURPLUS CARBON STEEL SEAMLESS PIPES. | 25.00 | 20,758 | 5,18,947 | PUC |
| 2009-10 | 20090925 | CHINA P RP | 73045110 | COLD DRAWN CARBON STEEL SEAMLESS TUBES (MOTHER HOLLOW)OD.27MM W.T.3MM LENGTH 10 | 25.00 | 44,075 | 11,01,879 | PUC |
| 2009-10 | 20090916 | CHINA P RP | 73043919 | CARBON STEEL SEAMLESS HOT FINISHED MOTHER PIPES GRADE DIN 17175 ST.35.8/l | 25.00 | 41,390 | 10,34,746 | PUC |
| 2009-10 | 20090907 | CHINA P RP | 73049000 | CARBON STEEL SEAMLESS PIPES | 25.00 | 41,091 | 10,27,273 | PUC |
| 2009-10 | 20090914 | KUWAIT | 73049000 | SECONDARY CARBON STEEL SEAMLESS/WELDED PIPES | 24.00 | 24,912 | 5,97,888 | PUC |
| 2009-10 | 20090915 | U ARAB EMTS | 73049000 | SECONDARY/DEFECTIVE CARBON STEEL SEAMLESS PIPES | 24.00 | 20,896 | 5,01,507 | PUC |
| 2009-10 | 20090903 | CHINA P RP | 73043911 | CARBON STEEL SEAMLESS MOTHER PIPE (HOT FINISHED)OD19.05MM*W/T2.03MM*6100MM ST35 | 24.00 | 49,328 | 11,83,879 | PUC |
| 2009-10 | 20090919 | CHINA P RP | 73043911 | SEAMLESS CARBON STEEL PIPES TO SPEC SA 210 | 24.00 | 39,265 | 9,42,368 | PUC |
| 2009-10 | 20090908 | CHINA P RP | 73043119 | CARBON STEEL SEAMLESS PIPES AS PER ASTM A106, GR.A /API 5L | 24.00 | 33,629 | 8,07,099 | PUC |
| 2009-10 | 20090916 | CHINA P RP | 73043119 | CARBON STEEL SEAMLESS PIPES AS PER ASTM A106/API 5L GR.B | 24.00 | 32,433 | 7,78,384 | PUC |
| 2009-10 | 20090914 | CHINA P RP | 73041990 | CARBON STEEL SEAMLESS LINE PIPE SECONDARY/ EX-STOCK | 24.00 | 21,629 | 5,19,095 | PUC |
| 2009-10 | 20090922 | CHINA P RP | 73043911 | SEAMLESS STEEL TUBE GRADE : GCR 15/SAE 52100SIZE: 54.7 X 8.75 MM | 23.00 | 48,019 | 11,04,432 | PUC |
| 2009-10 | 20090904 | CHINA P RP | 73043119 | SEAMLESS TUBES AS PER ASTM A-106/API 5L GR-A | 23.00 | 32,636 | 7,50,629 | PUC |
| 2009-10 | 20091214 | ITALY | 73043129 | CILD DRAWN SEAMLESS STEEL TUBES | 22.11 | 36,197 | 8,00,309 | PUC |
| 2009-10 | 20090925 | U K | 73049000 | SECONDARY SURPLUS CARBON STEEL PIPES | 22.00 | 20,475 | 4,50,458 | PUC |
| 2009-10 | 20090902 | U ARAB EMTS | 73049000 | NON ALLOY STEEL SECONDARY DEFECTIVE CARBON STEELWELDED/SEAMLESS PIPE | 22.00 | 18,677 | 4,10,884 | PUC |
| 2009-10 | 20090907 | U K | 73049000 | SECONDARY SECOND CHOICE CARBON STEEL SEAMLESS / WELDED PIPES | 22.00 | 17,256 | 3,79,642 | PUC |
| 2009-10 | 20090908 | CHINA P RP | 73043119 | SEAMLESS CARBON STEEL PIPE AS PER APPLICANT `SPUARCHASE ORDER NO 09HIM0026 DTD | 22.00 | 46,463 | 10,22,194 | PUC |
| 2009-10 | 20090924 | CHINA P RP | 73041910 | SEAMLESS STEEL TUBES GRADE SAE52100/GCR15 (SIZE: 57.00 X 35.00 X 11.00 MM) | 21.98 | 56,141 | 12,34,152 | PUC |
| 2009-10 | 20090911 | SPAIN | 73049000 | SEAMLESS ALLOY STEEL TUBES ITEM 140 TO 480 SIZE:47.6X3.6MM.M/WX2470MM TO 13310M | 21.55 | 2,02,573 | 43,65,676 | PUC |
| 2009-10 | 20090916 | CHINA P RP | 73043119 | SEAMLESS CARBON STEEL PIPES AS PER ASTM A106 GRB SIZE 1 SCH40*5800MM | 21.00 | 33,205 | 6,97,296 | PUC |
| 2009-10 | 20090902 | CHINA P RP | 73043939 | HYDRAULIC CYLINDER HONED TUBE - 140*125 | 20.74 | 74,456 | 15,44,252 | PUC |
| 2009-10 | 20090907 | CHINA P RP | 73049000 | ALLOY STEEL SEAMLESS STEELTUBES-19.7X14.5X2.65 MM | 20.59 | 1,10,813 | 22,81,851 | PUC |
| 2009-10 | 20090930 | CHINA P RP | 73049000 | C.S.SEAMLESS PIPES CONFORMING TO ASTM A-106 GRADE-C SIZE 273.1*43*6-9 (10 PCS | 20.00 | 77,263 | 15,45,255 | PUC |
| 2009-10 | 20090930 | CHINA P RP | 73043119 | SPHERODIZED ANNEALED SRA-52100 SEAMLESS COLD DRAWN TUBES: O.D. WALL THICKNESS | 20.00 | 61,557 | 12,31,131 | PUC |
| 2009-10 | 20090909 | CHINA P RP | 73043939 | CARBON STEEL COLD DRAWN SEAMLESS TUBES MATERIAL GRADE AISI 1035,SIZE 43.90*33.8 | 20.00 | 47,405 | 9,48,102 | PUC |
| 2009-10 | 20090902 | CHINA P RP | 73049000 | CS SEAMLESS PIPE SPEC:ASTM A106/A53/API 5L 60.3X3.91X5000-7000MM | 20.00 | 37,671 | 7,53,421 | PUC |
| 2009-10 | 20090929 | CHINA P RP | 73043911 | SEAMLESS CARBON STEEL PIPE (ASTM A53/A106/ASME SA53/SA106/API 5L GRB) OD X WT | 19.87 | 46,667 | 9,27,240 | PUC |
| 2009-10 | 20090929 | CHINA P RP | 73043911 | SEAMLESS MOTHER TUBES (SAE 1010) | 19.30 | 36,938 | 7,12,746 | PUC |
| 2009-10 | 20090907 | U ARAB EMTS | 73043911 | M.S. SECONDARY & DEFECTIVE SEAMLESS PIPE | 19.00 | 19,286 | 3,66,433 | PUC |
| 2009-10 | 20090904 | SAUDI ARAB | 73049000 | SECONDARY SECOND CARBON STEEL SEAMLESS / WELDED PIPES FITTINGS MIXED THICKNESS | 19.00 | 15,510 | 2,94,686 | PUC |
| 2009-10 | 20090903 | CHINA P RP | 73049000 | ALLOY STEEL SEAMLESS TUBES GRADE 20CR 17.4 X 11 (OD X ID IN MM) | 19.00 | 72,190 | 13,71,601 | PUC |
| 2009-10 | 20090912 | CHINA P RP | 73049000 | CARBON STEEL SEAMLESS PIPES | 19.00 | 41,065 | 7,80,238 | PUC |

**Import Data from DGCIS [All Countries PUC]
Apr 2009 to Jun 2012**

| Year | Date | Country | ITC-HS | Item-Des | Quantity (MT) | Price (Rs./MT) | Value (Rs) | PUC/ NPUC |
|---------|----------|------------|----------|---|---------------|----------------|------------|--------------|
| 2009-10 | 20090930 | U K | 73049000 | NON ALLOY SECONDARY CARBON STEEL PIPE | 18.00 | 18,284 | 3,29,105 | PUC |
| 2009-10 | 20090918 | CHINA P RP | 73045110 | BEARING QUALITY STEEL TUBE SAE-52100 AND SUJ-3 SIZE 62.7 X4.9 MM | 18.00 | 62,915 | 11,32,467 | PUC |
| 2009-10 | 20090917 | CHINA P RP | 73043911 | CARBON STEEL SEAMLESS PIPE (HOT FINISHED)2 X SCH40 X 5000-7000 | 18.00 | 37,556 | 6,76,010 | PUC |
| 2009-10 | 20090910 | U S A | 73049000 | OILFIELD EQUIPMENT : 3 1/2 X 3 1/2 S135DRILL PIPE 3-1/2 S-135 RANGE 2 95%REMAIN | 16.90 | 2,82,330 | 47,70,176 | PUC |
| 2009-10 | 20090902 | CHINA P RP | 73049000 | BEARING QUALITY STEEL TUBE-TUBE SIZE : 38.85*3.75MM | 16.80 | 48,511 | 8,14,795 | PUC |
| 2009-10 | 20090919 | GERMANY | 73041190 | SEAMLESS PRECISION STEEL PIPES (RON SIZE:12X2MM IN ST37.4NBK) FOR VESSEL V.NO.3 | 16.00 | 32,376 | 5,18,008 | PUC |
| 2009-10 | 20090929 | CHINA P RP | 73041910 | SURPLUS SEAMLESS CORBON STEEL PIPES A PER ASTM A 106 GRB 60.3*3.91*5800-5800 | 16.00 | 41,520 | 6,64,323 | PUC |
| 2009-10 | 20090925 | CHINA P RP | 73049000 | CARBON STEEL SEAMLESS TUBE ASTM A179 | 16.00 | 39,543 | 6,32,686 | PUC |
| 2009-10 | 20090912 | KOREA RP | 73049000 | FORGED SA 105-PROOF MACHINED RODS,SIZE 120DIA.6500MM X 9NOS. | 15.34 | 87,898 | 13,48,351 | PUC |
| 2009-10 | 20090925 | CHINA P RP | 73042390 | EXTERNAL UPSETED DRILL PIPE CONFIRMING API 5D, GRADE E-75, 3 - 1/2 OD (88.9 MM | 15.10 | 1,46,723 | 22,15,511 | PUC |
| 2009-10 | 20090917 | CHINA P RP | 73042390 | EXTERNAL UPSETED DRILL PIPE CONFIRMING API 5D, GRADE E-75, 3 - 1/2 OD (88.9 MM | 15.10 | 1,46,380 | 22,10,340 | PUC |
| 2009-10 | 20090902 | CHINA P RP | 73042390 | DRILL PIPES (EXTERNAL UPSET) SIZE: 89MM (OD) X 9.35MM (WALL THICKNESS) X 6.10 | 15.02 | 65,588 | 9,85,000 | PUC |
| 2009-10 | 20090924 | GERMANY | 73049000 | HOLLOW SECTIONS (120X80X12.5 MM)COLD DRAWN SEAMLESS TUBES | 15.00 | 99,984 | 14,99,764 | PUC |
| 2009-10 | 20090917 | BELGIUM | 73041990 | PIPE,B-36.19,ASTM B 165 ANNLD(UNS N04400),PE SEAMLESS1.5 INCH, 10S | 14.78 | 1,00,000 | 14,78,002 | PUC |
| 2009-10 | 20090930 | JAPAN | 73049000 | COLD DRAWN SEAMLESS TUBE ITEM NO.RGPS033 13.2 (+/-0.05) X 9.0(0.2/-0)MM GRADE | 14.68 | 2,43,096 | 35,68,162 | PUC |
| 2009-10 | 20090914 | CHINA P RP | 73043939 | HYDRAULIC CYLINDER HONED TUBE - 93*80 | 13.70 | 1,08,164 | 14,82,313 | PUC |
| 2009-10 | 20090907 | CHINA P RP | 73042990 | TUBING 2-7/8 , 6.5 PPF, L-80, (153 PCS), EC NO.: ECIN200908200004 DT: 20/08/200 | 13.42 | 65,504 | 8,78,834 | PUC |
| 2009-10 | 20090910 | CHINA P RP | 73043939 | CARBON STEEL SEAMLESS TUBES SIZE:(MM)-46.68 OD X 35.85ID, 51.62OD X 43.80ID,41. | 11.00 | 48,501 | 5,33,508 | PUC |
| 2009-10 | 20090902 | U S A | 73049000 | CARBON STEEL SEAMLESS PIPES STOCK LOT MIX SIZE | 10.00 | 23,343 | 2,33,431 | PUC |
| 2009-10 | 20090922 | BELGIUM | 73049000 | SECONDARY CARBON STEEL SEAMLESS AND/OR WELDED PIPES, MIXED LOT | 10.00 | 20,376 | 2,03,762 | PUC |
| 2009-10 | 20090901 | CHINA P RP | 73049000 | CARBON STEEL SEAMLESS PIPE API 5L GR B/ASTMA53 GR.B/A106 GR.B | 10.00 | 29,550 | 2,95,500 | PUC |
| 2009-10 | 20090916 | CHINA P RP | 73041110 | CARBON STEEL SEAMLESS TUBES SA 210 GR A1 63.5X5X10730MM | 9.00 | 55,660 | 5,00,940 | PUC |
| 2009-10 | 20090915 | ITALY | 73041910 | SEAMLEES COLD DRAWN TUBES STEEL PHC 355 WITH S<=0.010% STRESS RELIEVED OILED | 8.10 | 1,12,299 | 9,09,512 | PUC |
| 2009-10 | 20090910 | CHINA P RP | 73043939 | CARBON STEEL SEAMLESS TUBES SIZE:(MM)-46.68 OD X 35.85 ID | 8.00 | 45,770 | 3,66,159 | PUC |
| 2009-10 | 20090901 | CHINA P RP | 73049000 | CARBON STEEL SEAMLESS TUBE ASTM A 106 | 8.00 | 39,914 | 3,19,310 | PUC |
| 2009-10 | 20090908 | CHINA P RP | 73041110 | STEEL TUBE 16.00MM OD* 6.20MM ID CROMIOUN 1.48% CABRON.96% MAGNUM.31% OTHER THA | 7.54 | 73,382 | 5,53,524 | PUC |
| 2009-10 | 20090903 | GERMANY | 73045910 | MS SEAMLESS PIPES, EX-STOCK | 7.00 | 23,898 | 1,67,283 | PUC |
| 2009-10 | 20090930 | U K | 73049000 | NON ALLOY SECONDARY CARBON STEEL PIPE | 7.00 | 19,224 | 1,34,571 | PUC |
| 2009-10 | 20090907 | SAUDI ARAB | 73049000 | SECONDARY SECOND CARBON STEEL SEAMLESS / WELDED PIPES MIXED THICKNESS MIXED LO | 7.00 | 16,008 | 1,12,059 | PUC |
| 2009-10 | 20090904 | SAUDI ARAB | 73049000 | SECONDARY SECOND CARBON STEEL SEAMLESS / WELDED PIPES FITTINGS MIXED THICKNESS | 7.00 | 16,008 | 1,12,059 | PUC |
| 2009-10 | 20090907 | SAUDI ARAB | 73049000 | SECONDARY SECOND CARBON STEEL SEAMLESS / WELDED PIPES MIXEDTHICKNESS MIXED LOT | 7.00 | 16,008 | 1,12,059 | PUC |
| 2009-10 | 20090904 | SAUDI ARAB | 73049000 | SECONDARY SECOND CARBON STEEL SEAMLESS / WELDED PIPES FITTINGS MIXED THICKNESS | 6.00 | 15,937 | 95,624 | PUC |
| 2009-10 | 20090918 | CHINA P RP | 73043119 | COLD DRAWN SEAMLESS STEEL TUBES AS PER DIN STD 2391 50MM | 6.00 | 58,510 | 3,51,061 | PUC |
| 2009-10 | 20090923 | ITALY | 73043911 | COLD DRAWN SEAMLESS STEEL TUBES 254.00X214.60 | 5.92 | 1,18,084 | 6,99,200 | PUC |
| 2009-10 | 20090905 | CHINA P RP | 73043919 | COLD DRAWN READY TO HONE PRECISION TUBE, (90X108MM) | 5.67 | 38,551 | 2,18,629 | PUC |
| 2009-10 | 20090915 | CHINA P RP | 73049000 | CARBON STEEL SEAMLESS PIPES ASTM A106 GR.B (HOT FINISHED) SIZE 127 X 3.65 X 91 | 5.55 | 44,818 | 2,48,782 | PUC |
| 2009-10 | 20090930 | CHINA P RP | 73041190 | SEAMLESS STEEL TUBES ST 20.30MM X 8.102MM SCM 415H | 5.16 | 1,56,615 | 8,08,760 | PUC |
| 2009-10 | 20090909 | CHINA P RP | 73043119 | PRIME CDS HOLLOW SEAMLESS TUBES 16MN5 63.50 X 6.40 LENGTH - 3420 MM | 5.00 | 46,791 | 2,33,953 | PUC |
| 2009-10 | 20090905 | CHINA P RP | 73043929 | COLD DRAWN READY TO HONE PRECISION TUBE, (140X159MM) | 4.48 | 53,569 | 2,40,245 | PUC |
| 2009-10 | 20090902 | TAIWAN | 73043129 | PTFE PIPE LINER (STANDARD WALL TYPE) SIZE 8 (211.3 MM OD X 199.3 MM ID 6.0 M | 4.25 | 1,00,101 | 4,25,430 | PUC |
| 2009-10 | 20091214 | ITALY | 73043129 | CILD DRAWN SEAMLESS STEEL TUBES | 4.11 | 1,10,169 | 4,52,576 | PUC |

**Import Data from DGCIS [All Countries PUC]
Apr 2009 to Jun 2012**

| Year | Date | Country | ITC-HS | Item-Des | Quantity (MT) | Price (Rs./MT) | Value (Rs) | PUC/ NPUC |
|---------|----------|-------------|----------|---|---------------|----------------|------------|--------------|
| 2009-10 | 20090926 | SINGAPORE | 73049000 | CARBON STEEL SECONDARY /DEFECTIVE SEAMLESS PIPES | 4.00 | 25,773 | 1,03,092 | PUC |
| 2009-10 | 20090902 | U ARAB EMTS | 73049000 | NON ALLOY STEEL SECONDARY DEFECTIVE CARBON STEELWELDED/SEAMLESS PIPE | 4.00 | 21,478 | 85,912 | PUC |
| 2009-10 | 20090902 | U ARAB EMTS | 73049000 | NON ALLOYS STEEL SECONDARY CARBON STEEL SEAMLESSWELDED PIPE | 4.00 | 17,693 | 70,772 | PUC |
| 2009-10 | 20090905 | SINGAPORE | 73042390 | RAW-PIPE,SEAMLESS,2.500 NOM DIA,SCH 80,2.875 OD,0.276 WALL,MATERIAL PER A312,GR | 3.60 | 1,00,176 | 3,60,632 | PUC |
| 2009-10 | 20090929 | CHINA P RP | 73043939 | SEAMLESS CARBON STEEL PIPES. OD 219.1 X 28.58 X 6000. GRADE SA 106 GRB (4 PCS | 3.22 | 75,123 | 2,42,189 | PUC |
| 2009-10 | 20090923 | ITALY | 73043939 | SDINPSNA00000C0001 SMLS STEEL PIPES HF ACC: TO: INPS TS 770 Q&T OD: 152.60MM/ | 3.10 | 80,885 | 2,50,742 | PUC |
| 2009-10 | 20090922 | SINGAPORE | 73042390 | HEAVY WEIGHT DRILL PIPE-3-1/2 ODX 2 1/4 ID CONNECTION NC 38 (3-1/2) IF) T | 3.05 | 1,00,005 | 3,04,816 | PUC |
| 2009-10 | 20090914 | U S A | 73049000 | CARBON STEEL SEAMLESS PIPES STOCK LOT MIX SIZES | 3.00 | 21,694 | 65,082 | PUC |
| 2009-10 | 20090930 | CHINA P RP | 73043119 | COLD ROLLED SEAMLESS CARBON STEEL BOILER TUBES. MOC: A192 (38.1MM X 3.4MM X 587 | 3.00 | 61,002 | 1,83,006 | PUC |
| 2009-10 | 20090925 | CHINA P RP | 73049000 | CARBON STEEL SEAMLESS TUBE ASTM A179 | 3.00 | 38,354 | 1,15,062 | PUC |
| 2009-10 | 20090930 | CHINA P RP | 73045130 | SEAMLESS CARBON STEEL PIPES. OD 219.1 X 37 X 6000. GRADE SA 106 GRB | 2.99 | 78,805 | 2,35,779 | PUC |
| 2009-10 | 20090903 | CHINA P RP | 73045130 | STEEL TUBE 30 X 7 X 423 MM | 2.70 | 95,416 | 2,57,296 | PUC |
| 2009-10 | 20090901 | CHINA P RP | 73042990 | SINGLE PIECE ALLOY STEEL KELLY, 104.8MM OD (4-1/8) X 28 FT COMPLETE WITH API T | 2.54 | 1,56,570 | 3,96,906 | PUC |
| 2009-10 | 20090929 | ARGENTINA | 73041910 | PIPE CS SMLS 6 SCH 120 API 5L X 60.12 MTR/DRL.BE | 2.19 | 2,53,978 | 5,54,941 | PUC |
| 2009-10 | 20090909 | GERMANY | 73049000 | SEAMLESS PIPE, DIN 1629 60.3, 6.3 50 II EN10210 S355J2H | 2.00 | 86,568 | 1,73,136 | PUC |
| 2009-10 | 20090922 | U S A | 73049000 | SECONDARY SECOND CHOICE CARBON STEEL SEAMLESS / WELDED PIPES | 2.00 | 24,970 | 49,940 | PUC |
| 2009-10 | 20090922 | U K | 73049000 | SECONDARY SECOND CHOICE CARBON STEEL SEAMLESS / WELDED PIPES STOCK LOT | 2.00 | 24,504 | 49,008 | PUC |
| 2009-10 | 20090929 | U S A | 73049000 | CARBON STEEL SEAMLESS PIPES STOCK LOT MIX SIZES | 2.00 | 23,986 | 47,972 | PUC |
| 2009-10 | 20090923 | U S A | 73049000 | CARBON STEEL SEAMLESS PIPES STOCK LOT MIX SIZES | 2.00 | 21,694 | 43,388 | PUC |
| 2009-10 | 20090907 | U K | 73049000 | SECONDARY SECOND CHOICE CARBON STEEL SEAMLESS / WELDED PIPES | 2.00 | 20,708 | 41,415 | PUC |
| 2009-10 | 20090907 | CHINA P RP | 73049000 | CARBON STEEL SEAMLESS PIPE ASTM A106 GR.B | 2.00 | 29,550 | 59,100 | PUC |
| 2009-10 | 20090902 | CHINA P RP | 73049000 | CARBON STEEL SEAMLESS PIPES STOCK LOT MIX LOT | 2.00 | 25,581 | 51,161 | PUC |
| 2009-10 | 20090914 | GERMANY | 73042990 | DIP PIPE ND 3 /8 150 LBS 40 BENDED | 1.94 | 1,00,174 | 1,94,337 | PUC |
| 2009-10 | 20090902 | TAIWAN | 73043119 | PTFE PIPE LINER (STANDARD WALL TYPE) SIZE 4 (104.4 MM OD X97.4 MM ID X 3.5 MM | 1.80 | 1,00,357 | 1,80,642 | PUC |
| 2009-10 | 20090905 | CHINA P RP | 73045910 | HOT ROLLED TUBES (57X9.50MM (57X38)) | 1.68 | 74,293 | 1,24,885 | PUC |
| 2009-10 | 20090904 | MALAYSIA | 73049000 | 12 X 4 FT D/E SAND PIPE | 1.42 | 1,00,348 | 1,42,595 | PUC |
| 2009-10 | 20090907 | CHINA P RP | 73049000 | RM00200040B PIN STEEL TUBE SCM415H O.D.12.35+0.05MM X ID 8.00-0.10MM LENGTH:200 | 1.06 | 1,41,627 | 1,50,691 | PUC |
| 2009-10 | 20090917 | CHINA P RP | 73043911 | CARBON STEEL SEAMLESS PIPE (HOT FINISHED)2 X SCH40 X 5000-7000 | 1.00 | 66,700 | 66,700 | PUC |
| 2009-10 | 20090902 | CHINA P RP | 73049000 | CARBON STEEL SEAMLESS PIPES MIX LOT | 1.00 | 40,060 | 40,060 | PUC |
| 2009-10 | 20090905 | ARGENTINA | 73049000 | CARBON STEEL SEAMLESS PIPES OUT SIDE DIA. 114.30MM (TOTAL MTRS 34.37) | 0.77 | 2,00,096 | 1,53,474 | PUC |
| 2009-10 | 20090907 | CHINA P RP | 73042990 | TUBING 2-7/8 , 6.5 PPF, L-80, EUE (4 PCS), EC NO.: ECIN200908040018 DT: 04/08/2 | 0.70 | 65,955 | 45,999 | PUC |
| 2009-10 | 20090915 | CHINA P RP | 73049000 | CARBON STEEL SEAMLESS PIPES ASTM A106 GR.B (HOT FINISHED) SIZE 127 X 3.65 X 91 | 0.54 | 44,818 | 24,157 | PUC |
| 2009-10 | 20090919 | ITALY | 73049000 | TST DIA 60, 3X5, 9 L=1945 S355J2H | 0.42 | 1,00,010 | 41,904 | PUC |
| 2009-10 | 20090910 | ITALY | 73042990 | DMV25222 + ZR ODXWT 26, 50 MM * 2,70 MM (COLD FINISHED SEAMLESS TUBES FOR HEAT | 0.28 | 1,00,641 | 28,280 | PUC |
| 2009-10 | 20090902 | GERMANY | 73049000 | 65X8SH SECTIONX12.180MM S355J2+AR | 0.20 | 55,730 | 11,146 | PUC |
| 2009-10 | 20090908 | CHINA P RP | 73041110 | HY-PIPES TRD170 GEN.5 MODULAR [SPARE PARTS FOR CONCRETE PUMP] | 0.20 | 2,00,400 | 40,080 | PUC |
| 2009-10 | 20090915 | SAUDI ARAB | 73049000 | SECONDARY SECOND CHOICE CARBON STEEL PIPES | 0.10 | 45,80,980 | 4,58,098 | PUC |
| 2009-10 | 20090909 | GERMANY | 73049000 | CARBON STEEL SEAMLESS PIPE (SECOND CHOICE / DEFECTIVE) | 0.10 | 19,400 | 1,940 | PUC |
| 2009-10 | 20090901 | GERMANY | 73041110 | TUBE STEEL ROUND 18X1.5 | 0.05 | 73,740 | 3,687 | PUC |
| 2009-10 | 20090918 | CHINA P RP | 73049000 | CARBON STEEL SEAMLESS PIPES AS PER API 5L/A53/ASTM A106 GR.B. PIPES | 0.04 | 34,105 | 1,296 | PUC |
| 2009-10 | 20090910 | U S A | 73049000 | SECONDARY CARBON STEEL SEAMLESS PIPE SECOND CHOICE | 0.03 | 1,04,000 | 3,120 | PUC |

**Import Data from DGCIS [All Countries PUC]
Apr 2009 to Jun 2012**

| Year | Date | Country | ITC-HS | Item-Des | Quantity (MT) | Price (Rs./MT) | Value (Rs) | PUC/ NPUC |
|---------|----------|-------------|----------|---|---------------|----------------|--------------|--------------|
| 2009-10 | 20090925 | SINGAPORE | 73049000 | SECONDARY CARBON STEEL SEAMLESS PIPES | 0.02 | 1,06,714 | 2,241 | PUC |
| 2009-10 | 20090922 | NETHERLAND | 73049000 | SECONDARY CARBON STEEL SEAMLESS AND / OR WELDED PIPES, MIXED LOT. | 0.02 | 97,048 | 2,038 | PUC |
| 2009-10 | 20090914 | U S A | 73049000 | SECONDARY SECOND CHOICE CARBON STEEL SEAMLESS / WELDED PIPES | 0.01 | 1,02,286 | 1,432 | PUC |
| 2009-10 | 20090915 | U ARAB EMTS | 73049000 | SECONDARY SECOND CHOICE CARBON STEEL SEAMLESS / WELDED PIPES | 0.01 | 92,846 | 1,207 | PUC |
| 2009-10 | 20090904 | SAUDI ARAB | 73049000 | SECONDARY SECOND CARBON STEEL SEAMLESS / WELDED PIPES FITTINGS MIXED THICKNESS | 0.01 | 1,04,545 | 1,150 | PUC |
| 2009-10 | 20090914 | KUWAIT | 73049000 | SECONDARY CARBON STEEL SEAMLESS/WELDED PIPES | 0.01 | 1,08,000 | 972 | PUC |
| 2009-10 | 20090908 | U S A | 73049000 | SECONDARY DEFECTIVE CARBON STEEL SEAMLESS PIPES | 0.01 | 98,625 | 789 | PUC |
| 2009-10 | 20090903 | GERMANY | 73045910 | MS SEAMLESS PIPES, EX-STOCK | 0.01 | 1,00,000 | 700 | PUC |
| 2009-10 | 20090925 | GERMANY | 73049000 | CARBON STEEL SECONDARY / DEFECTIVE SEAMLESS PIPES | 0.004 | 1,16,500 | 466 | PUC |
| 2009-10 | 20091001 | CHINA P RP | 73041910 | PLAIN END SEAMLESS COUPLING STOCK:5 OD | 6,892.00 | 37,684 | 25,97,17,688 | PUC |
| 2009-10 | 20091001 | CHINA P RP | 73043911 | CARBON STEEL SEAMLESS HOLLOW(21.3*4.8*6-12M) | 1,954.00 | 44,312 | 8,65,86,491 | PUC |
| 2009-10 | 20091023 | CHINA P RP | 73043911 | SEAMLESS CARBON STEEL HOLLOW 21.3*3.9*6-12MM | 1,396.00 | 44,010 | 6,14,38,522 | PUC |
| 2009-10 | 20091030 | CHINA P RP | 73049000 | SEAMLESS PIPE 114.3X7.9MM 46 3LAYER POLYTHYLENE COATED (5421 PCS) | 1,347.38 | 54,592 | 7,35,56,680 | PUC |
| 2009-10 | 20091019 | ROMANIA | 73041910 | CARBON STEEL LINE PIPES (STOCK SURPLUS) | 962.00 | 26,101 | 2,51,08,736 | PUC |
| 2009-10 | 20091023 | CHINA P RP | 73041910 | CARBON STEEL SEAMLESS HOT FINISHED PIPES API 5L/SA 106 GR BLENGTH 5-6 M R/L 6 X | 925.00 | 10,866 | 1,00,50,793 | PUC |
| 2009-10 | 20091001 | CHINA P RP | 73042990 | CASING PIPES 9-5/8 , J-55 40PPF BTC (INVOICE NO.MUL/ONGC/5359-IN-3-1 DTD.30/07/ | 765.12 | 35,265 | 2,69,82,048 | PUC |
| 2009-10 | 20091003 | RUSSIA | 73042990 | CASING PIPES.ITEM-00018 SIZE 9 5/8 X 43.5PPF X R3, BC GRADEN80 (TYPEQ)(125 BDL | 508.44 | 56,914 | 2,89,37,344 | PUC |
| 2009-10 | 20091020 | KOREA RP | 73049000 | ERW TO API 5L GR.B.PSL1 (VES-5100) 12 METERS IN LENGTH,BEVELLED ENDS WITH PLAST | 471.00 | 19,719 | 92,87,438 | PUC |
| 2009-10 | 20091001 | CHINA P RP | 73041990 | SEAMLESS PIPES 60.3 X 7.1 MM X 46 3 LAYER POLYTHYLENE COATED - ESSENTIAL CERTIF | 465.86 | 56,425 | 2,62,86,160 | PUC |
| 2009-10 | 20091028 | CHINA P RP | 73043911 | SEAMLESS STEEL PIPES/TUBES (GRADE:37MN) SIZE: 232 X 5.4 X 7625MM | 457.00 | 37,265 | 1,70,29,989 | PUC |
| 2009-10 | 20091021 | CHINA P RP | 73043939 | HIGH PRESSURE GAS CYLINDER SEAMLESS TUBES (OD 267MMXWT 12MM) | 389.00 | 49,629 | 1,93,05,728 | PUC |
| 2009-10 | 20091020 | CHINA P RP | 73049000 | CARBON STEEL SEAMLESS PIPE API 5LGR B / ASTM A 106 GR B SIZE 4 INCH X SCH 80 | 346.46 | 33,048 | 1,14,49,847 | PUC |
| 2009-10 | 20091030 | GERMANY | 73049000 | CARBON STEEL SECONDARY/DEFECTIVE SEAMLESS PIPE (SECOND CHOICE) | 343.00 | 28,116 | 96,43,957 | PUC |
| 2009-10 | 20091015 | CHINA P RP | 73043911 | CARBON STEEL SEAMLESS MOTHER PIPE (HOT FINISHED)26 X 3.6 X 8000 (306 PCS STC 24 | 275.00 | 42,794 | 1,17,68,324 | PUC |
| 2009-10 | 20091028 | GERMANY | 73043119 | SEAMLESS TUBE HOLLOW ST 37.4 DN 1630/84 SIZE 48.300 X 5.500 MM X 10000-12000 | 270.98 | 44,955 | 1,21,81,681 | PUC |
| 2009-10 | 20091021 | CHINA P RP | 73049000 | CARBON STEEL SEAMLESS PIPE ASTM A 106 GR B/A 53 GR B/API 5LGR B SIZE 4 INCH X | 269.16 | 33,680 | 90,65,349 | PUC |
| 2009-10 | 20091022 | FRANCE | 98010013 | 98010013 SEAMLESS TUBES(A/S)S37/33/09 CIF RS.162499506/- | 268.00 | 6,06,341 | 16,24,99,504 | PUC |
| 2009-10 | 20091021 | CHINA P RP | 73045930 | SEAMLESS STEEL GAS CYLINDER TUBE 232MM X 5.4MM | 266.00 | 45,864 | 1,21,99,939 | PUC |
| 2009-10 | 20091014 | CHINA P RP | 73042390 | DRILL PIPE,5 G105 GD,R-II,19.5 PPF | 235.14 | 1,61,179 | 3,78,99,120 | PUC |
| 2009-10 | 20091001 | CHINA P RP | 73049000 | CARBON STEEL SEAMLESS PIPE ASTM A106 GR B | 224.00 | 44,803 | 1,00,35,896 | PUC |
| 2009-10 | 20091026 | CHINA P RP | 73041110 | SEAMLESS CYLINDER PIPES JIS-G-3429-88 34 CRM04 267MMX7.5MM | 221.00 | 50,181 | 1,10,89,974 | PUC |
| 2009-10 | 20091015 | CHINA P RP | 73043119 | COLD DRAWN SEAMLESS CARBON STEEL TUBES CONFORMING TO SPEC.ASME SA179 (25 MM | 216.85 | 49,205 | 1,06,70,244 | PUC |
| 2009-10 | 20091006 | CHINA P RP | 73049000 | CARBON STEEL SEAMLESS STEEL PIPES CONFIRMING TO SPECIFICATION ASTM A 106 GRADE | 216.00 | 38,210 | 82,53,355 | PUC |
| 2009-10 | 20091021 | CHINA P RP | 73043119 | COLD DRAWN SEAMLESS CARBON STEEL TUBES CONFORMING TO SPEC. SA179 (SIZE: 20MM OD | 212.37 | 27,752 | 58,93,694 | PUC |
| 2009-10 | 20091026 | JAPAN | 73049000 | CARBON STEEL SECONDARY PIPES | 209.00 | 20,202 | 42,22,266 | PUC |
| 2009-10 | 20091016 | U S A | 73049000 | CARBON STEEL SECONDARY PIPES | 208.00 | 20,162 | 41,93,653 | PUC |
| 2009-10 | 20091028 | U K | 73041990 | SEAMLESS STEEL LINE PIPES. LINE PIPE 60.30MM 4.4MM X 46SEAMLESS (NON-COATED) (7 | 206.24 | 45,686 | 94,22,244 | PUC |
| 2009-10 | 20091005 | CHINA P RP | 73043911 | SEAMLESS STEEL PIPES/TUBES (GRADE 37MN) SIZE: 232 X 5.4 X 7625MM | 201.00 | 37,416 | 75,20,643 | PUC |
| 2009-10 | 20091027 | CHINA P RP | 73049000 | HOT FINISHED SEAMLESS TUBE GRADE 37MN | 193.00 | 47,921 | 92,48,677 | PUC |
| 2009-10 | 20091023 | CHINA P RP | 73043119 | SEAMLESS CARBON STEEL TUBE 28.575 OD X 2.77 WT X 12500 LG | 192.56 | 42,797 | 82,41,113 | PUC |
| 2009-10 | 20091015 | CHINA P RP | 73043911 | SEAMLESS STEEL GAS CYLIN | 178.37 | 47,385 | 84,52,062 | PUC |

**Import Data from DGCIS [All Countries PUC]
Apr 2009 to Jun 2012**

| Year | Date | Country | ITC-HS | Item-Des | Quantity (MT) | Price (Rs./MT) | Value (Rs) | PUC/ NPUC |
|---------|----------|-------------|----------|---|---------------|----------------|--------------|--------------|
| 2009-10 | 20091005 | U K | 73049000 | SECONDRY SURPLUS CARBON STEEL PIPES | 177.00 | 20,228 | 35,80,282 | PUC |
| 2009-10 | 20091007 | CHINA P RP | 73041990 | SEAMLESS PIPE 88.9 X 6.4 MM X 46 3 LAYER POLYTHYLENE COATED- ESSENTIAL CERTIFI | 169.27 | 59,188 | 1,00,18,746 | PUC |
| 2009-10 | 20091013 | CHINA P RP | 73045930 | SEAMLESS STEEL GAS CYLINDER TUBE 267MMX6.5MM | 167.00 | 50,714 | 84,69,290 | PUC |
| 2009-10 | 20091010 | SWEDEN | 73049000 | NON ALLOY SEAMLESS TUBES (SURPLUS) AS PER M.T.C. | 162.00 | 28,709 | 46,50,807 | PUC |
| 2009-10 | 20091012 | CHINA P RP | 73049000 | CARBON STEEL SEAMLESS PIPES AS PER API 5L/ASTM A106 GR. B. STOCK LOT | 159.00 | 24,300 | 38,63,700 | PUC |
| 2009-10 | 20091006 | CHINA P RP | 73041910 | SEAMLESS STEEL PIPES 377MMX30MM | 156.00 | 39,034 | 60,89,262 | PUC |
| 2009-10 | 20091005 | BRAZIL | 73049000 | CARBON STEEL SECONDARY PIPES | 155.00 | 20,194 | 31,30,127 | PUC |
| 2009-10 | 20091026 | U K | 73049000 | SECONDARY SECOND CHOICE CARBON STEEL SEAMLESS / WELDED PIPES STOCK LOT | 153.00 | 17,369 | 26,57,501 | PUC |
| 2009-10 | 20091022 | CHINA P RP | 73043919 | CARBON STEEL SEAMLESS TUBES (SPEC. DIN17175 ST 35.8 FULLY KILLED) (SIZE. 44.45M | 150.00 | 42,155 | 63,23,317 | PUC |
| 2009-10 | 20091012 | CHINA P RP | 73045110 | BEARING QUALITY STEEL TUBE SAE-52100 SIZE 62.26X52.00MM | 148.00 | 51,286 | 75,90,314 | PUC |
| 2009-10 | 20091014 | BELGIUM | 73049000 | NON ALLOY SECONDARY SECOND CHOICE CARBON STEEL SEAMLESS/WELD PIPE MIXED | 147.00 | 27,025 | 39,72,633 | PUC |
| 2009-10 | 20091016 | CHINA P RP | 73049000 | CARBON STEEL SEAMLESS PIPES AS PER ASTM A 106 GRADE B | 141.00 | 28,739 | 40,52,181 | PUC |
| 2009-10 | 20091020 | TAIWAN | 73042910 | HR PIPE ROUND-KD. OD:48.3MM X 2.5MM X 900MM | 137.71 | 35,272 | 48,57,305 | PUC |
| 2009-10 | 20091014 | U K | 73049000 | CARBON STEEL SECONDARY PIPES | 136.00 | 20,242 | 27,52,916 | PUC |
| 2009-10 | 20091015 | UKRAINE | 73049000 | SECONDARY CARBON STEEL SEAMLESS PIPES IN MIXED SIZES | 135.00 | 20,680 | 27,91,812 | PUC |
| 2009-10 | 20091009 | CHINA P RP | 73042390 | DRILL PIPE,5 G-105 GD,R-II,19.5PPF | 134.40 | 1,61,185 | 2,16,63,228 | PUC |
| 2009-10 | 20091009 | CHINA P RP | 73041910 | CARBON STEEL SEAMLESS PIPE ASTM A106/API 5L GR.B PSL1 SI2E 8 NPS 219.1MM OD-40 | 133.00 | 33,654 | 44,75,979 | PUC |
| 2009-10 | 20091008 | CHINA P RP | 73045110 | COLD DRAWN SEAMLESS CARBON STEEL TUBES CONFORMING TO SA179 (SIZE: 20 MM OD X 2 | 129.82 | 60,178 | 78,12,127 | PUC |
| 2009-10 | 20091015 | CHINA P RP | 73043911 | CARBON STEEL SEAMLESS MOTHER PIPE (HOT FINISHED)OD26MM,WT2.7MM, LENGTH11.525MM | 128.00 | 39,656 | 50,76,008 | PUC |
| 2009-10 | 20091019 | KUWAIT | 73049000 | SECONDARY CARBON STEEL SEAMLESS/WELDED PIPES | 124.00 | 24,621 | 30,52,947 | PUC |
| 2009-10 | 20091008 | BELGIUM | 73049000 | SECONDARY/DEFECTIVE M.S SEAMLESS STEEL PIPES | 123.00 | 19,869 | 24,43,900 | PUC |
| 2009-10 | 20091026 | SINGAPORE | 73049000 | SEAMLES CARBON STEEL PIPES FOR JUR SAGAR RATNA | 122.00 | 66,870 | 81,58,136 | PUC |
| 2009-10 | 20091007 | CHINA P RP | 73041990 | SEAMLESS PIPE 60.3 X 4.4 MM X 46 3 LAYER POLYTHYLENE COATED - ESSENTIAL CERTIFI | 121.30 | 65,490 | 79,43,660 | PUC |
| 2009-10 | 20091015 | U ARAB EMTS | 73049000 | SECONDARY CARBON STEEL SEAMLESS/WELDED PIPES | 121.00 | 22,117 | 26,76,173 | PUC |
| 2009-10 | 20091022 | FRANCE | 98010013 | 98010013 SEAMLESS TUBES(A/S)S37/33/09 CIF RS.104490453/- | 112.00 | 9,32,951 | 10,44,90,456 | PUC |
| 2009-10 | 20091022 | FRANCE | 98010013 | 98010013 SEAMLESS TUBES(A/S)S37/33/09 CIF RS.57419211/- | 111.00 | 5,17,290 | 5,74,19,212 | PUC |
| 2009-10 | 20091029 | CHINA P RP | 73041990 | SEAMLESS PIPES AS PER CONTRACT NO.MIC/P-2925IMP-01 DATED 25JUNE 2009 (60.3*10) | 109.00 | 57,129 | 62,27,092 | PUC |
| 2009-10 | 20091023 | CHINA P RP | 73043119 | SEAMLESS CARBON STEEL TUBE ASME SA 192 50.8X4.5X7550MM, 8470MM, 7930MM, 7310MM, | 109.00 | 43,424 | 47,33,250 | PUC |
| 2009-10 | 20091022 | CHINA P RP | 73049000 | CARBON STEEL SEAMLESS PIPES ASTM A106/A53 GR.B | 109.00 | 38,146 | 41,57,872 | PUC |
| 2009-10 | 20091027 | CHINA P RP | 73043119 | SEAMLESS CARBON STEEL PIPES. OD 219.1 X 18.26 X 6000. GRADE SA 106 GRB | 108.57 | 42,527 | 46,17,054 | PUC |
| 2009-10 | 20091009 | U ARAB EMTS | 73049000 | CARBON STEEL PIPE (SECONDARY/DEFECTIVE) | 106.00 | 20,880 | 22,13,278 | PUC |
| 2009-10 | 20091026 | U S A | 73069090 | CARBON STEEL SEAMLESS PIPE STOCK LOT MIXED SIZE | 105.00 | 22,080 | 23,18,406 | PUC |
| 2009-10 | 20091026 | JAPAN | 73049000 | CARBON STEEL SECONDARY PIPES | 105.00 | 20,334 | 21,35,112 | PUC |
| 2009-10 | 20091027 | KUWAIT | 73041990 | SECONDAERY CARBON STEEL SEAMLESS PIPES | 105.00 | 18,277 | 19,19,082 | PUC |
| 2009-10 | 20091005 | U ARAB EMTS | 73049000 | CARBON STEEL PIPES (SECONDARY/DEFECTIVE) | 104.00 | 20,809 | 21,64,090 | PUC |
| 2009-10 | 20091026 | U K | 73049000 | SECONDARY SURPLUS CARBON STEEL PIPES | 104.00 | 20,224 | 21,03,274 | PUC |
| 2009-10 | 20091015 | CHINA P RP | 73043911 | CARBON STEEL SEAMLESS MOTHER PIPE (HOT FINISHED)OD 20MM*W/T2MM*9400MM (3415 PCS | 104.00 | 47,177 | 49,06,388 | PUC |
| 2009-10 | 20091016 | U ARAB EMTS | 73049000 | CARBON STEEL PIPES (SECONDARY / DEFECTIVE) | 103.00 | 20,863 | 21,48,939 | PUC |
| 2009-10 | 20091022 | ITALY | 73043911 | COLD DRAWN SEAMLESS STEEL TUBES 128,00X9,00X3500.00ST523 | 102.23 | 79,082 | 80,84,167 | PUC |
| 2009-10 | 20091028 | U K | 73042390 | PROCUREMENT OF DRILL PIPES 5 G - 105 GD, R-II,19.5 PPF (72BUNDLES = 396 PCS) | 101.38 | 1,98,918 | 2,01,66,686 | PUC |
| 2009-10 | 20091001 | CHINA P RP | 73043919 | CARBON STEEL SEAMLESS TUBES(SPEC.DIN17175 ST 35.8)(SIZE 27.00MM OD X 2.60MM THK | 101.00 | 39,727 | 40,12,416 | PUC |

**Import Data from DGCIS [All Countries PUC]
Apr 2009 to Jun 2012**

| Year | Date | Country | ITC-HS | Item-Des | Quantity (MT) | Price (Rs./MT) | Value (Rs) | PUC/ NPUC |
|---------|----------|-------------|----------|---|---------------|----------------|-------------|--------------|
| 2009-10 | 20091026 | OMAN | 73049000 | SECONDARY DEFECTIVE CARBON STEEL SEAMLESS PIPES | 100.00 | 20,347 | 20,34,663 | PUC |
| 2009-10 | 20091008 | U K | 73049000 | SECONDARY SECOND CHOICE CARBON STEEL SEAMLESS / WELDED PIPES STOCK LOT | 100.00 | 17,029 | 17,02,871 | PUC |
| 2009-10 | 20091006 | CHINA P RP | 73049000 | M.S. SEAMLESS CARBON STEEL PIPE ASTM A106/A53/API 5L,GRB.INCH 3 X SCH80 ,.88.9 | 98.00 | 33,331 | 32,66,484 | PUC |
| 2009-10 | 20091015 | CHINA P RP | 73043911 | CARBON STEEL SEAMLESS MOTHER PIPE (HOT FINISHED)OD 19.05MM*W/T2.11MM*9000MM (34 | 97.00 | 47,943 | 46,50,518 | PUC |
| 2009-10 | 20091014 | CHINA P RP | 73042390 | DRILL PIPE 5 19.5 PPF S-135 R/H IEU | 96.87 | 1,52,330 | 1,47,56,134 | PUC |
| 2009-10 | 20091006 | CHINA P RP | 73045920 | SEAMLESS STEEL PIPES CYLINDERS 139.70MMX4.5MMX5.480MM | 96.00 | 45,695 | 43,86,728 | PUC |
| 2009-10 | 20091012 | CHINA P RP | 73049000 | CARBON STEEL SEAMLESS HOT FINISHED MOTHER PIPES GRADE DIN 17175 ST 35.8 SIZE 33 | 95.00 | 40,513 | 38,48,770 | PUC |
| 2009-10 | 20091030 | CHINA P RP | 73043119 | CARBON STEEL SEAMLESS PIPES AS PER ASTM A106 GR.A/API 5L GR.A 26.7MM*2.87MM*580 | 92.00 | 32,293 | 29,70,941 | PUC |
| 2009-10 | 20091022 | CHINA P RP | 73043919 | CARBON STEEL SEAMLESS TUBES(SPEC.DIN17175 ST 35.8 FULLY KILLED STEEL)(SIZE 33.4 | 89.00 | 39,079 | 34,78,049 | PUC |
| 2009-10 | 20091006 | CHINA P RP | 73049000 | SEAMLESS STEEL TUBE | 87.00 | 45,791 | 39,83,802 | PUC |
| 2009-10 | 20091016 | U S A | 73049000 | CARBON STEEL SEAMLESS PIPE STOCK LOT MIX SIZE | 86.00 | 21,894 | 18,82,889 | PUC |
| 2009-10 | 20091023 | U S A | 73049000 | CARBON STEEL SEAMLESS PIPE STOCK LOT MIXED SIZES | 84.00 | 21,980 | 18,46,326 | PUC |
| 2009-10 | 20091029 | CHINA P RP | 73045110 | BEARING QUALITY STEEL TUBE SAE-52100 AND SUJ-3 SIZE: 111 X 9.5 MM | 84.00 | 52,255 | 43,89,381 | PUC |
| 2009-10 | 20091023 | GERMANY | 73049000 | SECONDARY DEFECTIVE CARBON STEEL SEAMLESS PIPES | 81.00 | 27,388 | 22,18,432 | PUC |
| 2009-10 | 20091015 | JAPAN | 73043911 | C.S. SECONDARY SEAMLESS PIPE | 81.00 | 19,659 | 15,92,355 | PUC |
| 2009-10 | 20091005 | GERMANY | 73041190 | SEAMLESS CARBON STEEL PIPES BE ASTH A106 GR.C DIMS TO ASME 36.10 | 80.34 | 95,614 | 76,81,608 | PUC |
| 2009-10 | 20091021 | CHINA P RP | 73049000 | PRIME CARBON STEEL SEAMLESS PIPES GRADE : ASTM A 106 GR.B / API5L GR.B | 80.18 | 34,020 | 27,27,648 | PUC |
| 2009-10 | 20091009 | U K | 73049000 | SECONDARY SURPLUS CARBON STEEL PIPES | 79.00 | 20,303 | 16,03,953 | PUC |
| 2009-10 | 20091001 | CHINA P RP | 73043119 | CARBON STEEL SEAMLESS PIPE (24 X SCH 80 X 5-7 M) (3 PCS) | 77.00 | 36,434 | 28,05,392 | PUC |
| 2009-10 | 20091014 | CHINA P RP | 73049000 | SEAMLESS CARBON STEEL PIPE ASTM A106 GR B | 77.00 | 29,160 | 22,45,320 | PUC |
| 2009-10 | 20091026 | JAPAN | 73049000 | CARBON STEEL PIPES (SECONDARY/DEFECTIVE) | 76.00 | 20,864 | 15,85,657 | PUC |
| 2009-10 | 20091008 | CHINA P RP | 73043119 | CARBON STEEL SEAMLESS LINE PIPES API 5L GR.B/ASTM A106 GR.B.VARNISHED BEVELLED | 74.00 | 33,564 | 24,83,702 | PUC |
| 2009-10 | 20091005 | SAUDI ARAB | 73049000 | SECONDARY SECOND CARBON STEEL SEAMLESS / WELDED PIPES MIXED THICKNESS MIXED LO | 72.00 | 14,908 | 10,73,365 | PUC |
| 2009-10 | 20091022 | CHINA P RP | 73042390 | DRILL PIPE 5 19.5 PPF S-135 R/H IEU | 71.30 | 1,52,342 | 1,08,61,971 | PUC |
| 2009-10 | 20091022 | U ARAB EMTS | 73049000 | SECONDARY SECOND CHOICE CARBON STEEL SEAMLESS / WELDED PIPES | 70.00 | 17,282 | 12,09,772 | PUC |
| 2009-10 | 20091013 | CHINA P RP | 73045930 | SEAMLESS STEEL GAS CYLINDER TUBE 267MMX6.5MM | 68.00 | 50,575 | 34,39,126 | PUC |
| 2009-10 | 20091026 | U S A | 73049000 | SECONDARY DEFECTIVE M.S. PIPES | 61.00 | 20,237 | 12,34,460 | PUC |
| 2009-10 | 20091029 | BELGIUM | 73049000 | CARBON STEEL SEAMLESS PIPE SECONDRY /DEFECTIVE | 60.00 | 19,659 | 11,79,522 | PUC |
| 2009-10 | 20091009 | U K | 73049000 | SECONDARY SURPLUS CARBON STEEL PIPES | 54.00 | 20,158 | 10,88,512 | PUC |
| 2009-10 | 20091020 | CHINA P RP | 73043119 | CARBON STEEL SEAMLESS LINE PIPES API 5L GR.B/ASTM A106 GR.B.VARNISHED BEVE;;ED | 53.00 | 35,319 | 18,71,895 | PUC |
| 2009-10 | 20091008 | GERMANY | 73049000 | OIL WELL EQUIPMENT : CROSSOVER SUB 2-7/8, L-062060 | 50.43 | 1,81,248 | 91,40,785 | PUC |
| 2009-10 | 20091015 | U ARAB EMTS | 73049000 | SECONDARY SECOND CHOICE CARBON STEEL SEAMLESS / WELDED PIPES | 50.00 | 17,225 | 8,61,272 | PUC |
| 2009-10 | 20091015 | CHINA P RP | 73043911 | CARBON STEEL SEAMLESS MOTHER PIPE (HOT FINISHED)OD 20MM*W/T2MM*9400MM (5585 PC | 50.00 | 47,462 | 23,73,103 | PUC |
| 2009-10 | 20091005 | SAUDI ARAB | 73049000 | SECONDARY SECOND CARBON STEEL SEAMLESS / WELDED PIPES MIXED THICKNESS MIXED LO | 49.00 | 15,030 | 7,36,464 | PUC |
| 2009-10 | 20091020 | CHINA P RP | 73045110 | COLD DRAWN SEAMLESS CARBON STEEL TUBES ASTM A 519 GRADE SAE4130 (SIZE: 69.90X 4 | 49.00 | 63,034 | 30,88,682 | PUC |
| 2009-10 | 20091023 | CHINA P RP | 73045110 | BEARING QUALITY STEEL TUBE SAE-52100 SIZE 22.1 X 6.4 MM | 49.00 | 56,373 | 27,62,298 | PUC |
| 2009-10 | 20091001 | KUWAIT | 73049000 | SECONDARY CARBON STEEL SEAMLESS/WELDED PIPES | 48.00 | 23,345 | 11,20,546 | PUC |
| 2009-10 | 20091012 | KUWAIT | 73049000 | SECONDARY CARBON STEEL PIPES SEAMLESS | 48.00 | 16,257 | 7,80,350 | PUC |
| 2009-10 | 20091001 | KUWAIT | 73049000 | SECONDARY CARBON STEEL SEAMLESS/WELDED PIPES | 48.00 | 209 | 10,038 | PUC |
| 2009-10 | 20091008 | SINGAPORE | 73049000 | SECONDARY SECOND CHOICE CARBON STEEL SEAMLESS / WELDED PIPES | 46.00 | 17,376 | 7,99,306 | PUC |
| 2009-10 | 20091026 | CHINA P RP | 73041910 | SEAMLESS PRECISION STEEL TUBE - 50 X6 XL(=940MMX2/3/4/5/6) | 45.05 | 46,656 | 21,01,853 | PUC |

**Import Data from DGCIS [All Countries PUC]
Apr 2009 to Jun 2012**

| Year | Date | Country | ITC-HS | Item-Des | Quantity (MT) | Price (Rs./MT) | Value (Rs) | PUC/ NPUC |
|---------|----------|----------------|----------|---|---------------|----------------|------------|--------------|
| 2009-10 | 20091001 | KUWAIT | 73049000 | SECONDARY CARBON STEEL SEAMLESS WELDED PIPES | 44.00 | 23,557 | 10,36,505 | PUC |
| 2009-10 | 20091001 | KUWAIT | 73049000 | SECONDARY CARBON STEEL SEAMLESS WELDED PIPES | 44.00 | 276 | 12,139 | PUC |
| 2009-10 | 20091015 | CHINA P RP | 73049000 | SEAMLESS CARBON STEEL PIPES AS PER ASTM A106/API 5L GR B. | 44.00 | 38,091 | 16,75,988 | PUC |
| 2009-10 | 20091028 | U K | 73042390 | PROCUREMENT OF DRILL PIPES 5 19.5PPF S - 135 RH IEU (31BUNDLES = 167 PCS) | 42.91 | 1,88,008 | 80,68,281 | PUC |
| 2009-10 | 20091007 | CHINA P RP | 73043939 | HYDRAULIC CYLINDER HONED TUBE- 177.8*152.4 | 41.64 | 34,008 | 14,16,124 | PUC |
| 2009-10 | 20091008 | U S A | 73049000 | CARBON STEEL SECONDARY DEFECTIVE SEAMLESS PIPES | 40.00 | 19,556 | 7,82,243 | PUC |
| 2009-10 | 20091006 | CHINA P RP | 73049000 | PRIME CARBON STEEL SEAMLESS PIPES ASTM A106/A52, GR.B | 38.00 | 28,015 | 10,64,585 | PUC |
| 2009-10 | 20091009 | CHINA P RP | 73049000 | SEAMLESS ALLOY STEEL PIPES GRADE P22 | 37.00 | 84,900 | 31,41,293 | PUC |
| 2009-10 | 20091020 | CHINA P RP | 73045110 | COLD DRAWN SEAMLESS CARBON STEEL TUBES ASTM A 519 GRADE SAE 1541 (SIZE: 63.75 | 37.00 | 56,666 | 20,96,635 | PUC |
| 2009-10 | 20091014 | CHINA P RP | 73042390 | DRILL PIPE,3-1/2 G105, EU,RH 13.3PPF*RH-II | 35.18 | 1,60,974 | 56,62,965 | PUC |
| 2009-10 | 20091019 | ROMANIA | 73041910 | CARBON STEEL LINE PIPES (STOCK SURPLUS) | 35.00 | 26,073 | 9,12,557 | PUC |
| 2009-10 | 20091006 | CHINA P RP | 73043939 | HYDRAULIC CYLINDER HONED TUBE - 130*110 | 34.60 | 29,445 | 10,18,732 | PUC |
| 2009-10 | 20091010 | CZECH REPUBLIC | 73045910 | ALLOY STEEL SEAMLESS PIPES, GRADE P22 | 33.43 | 1,22,237 | 40,86,634 | PUC |
| 2009-10 | 20091014 | CHINA P RP | 73045110 | BEARING QUALITY STEEL TUBE SAE-52100 & SUJ-3,TMB 6002IR 21.05X3.35MM | 33.00 | 65,113 | 21,48,739 | PUC |
| 2009-10 | 20091005 | CHINA P RP | 73049000 | CARBON STEEL SEAMLESS PIPE16 -24 SCH40,80 X 5-5.8M | 33.00 | 43,464 | 14,34,310 | PUC |
| 2009-10 | 20091021 | CHINA P RP | 73042390 | DRILL PIPE 2-7/8 OD,EU,G-105,10.4 PPF,TJOD 4-1/8 / D-2 ,TAPER 18 DEG DRILL | 30.68 | 1,73,920 | 53,35,761 | PUC |
| 2009-10 | 20091021 | CHINA P RP | 73042390 | DRILL PIPE 2-7/8 ,EU,LH.10.4#,G-105,R-II TOOL JOINT,2.7/8 API IF (NC-31) 4.1/8 | 30.62 | 1,71,738 | 52,58,172 | PUC |
| 2009-10 | 20091015 | UKRAINE | 73049000 | SECONDARY CARBON STEEL SEAMLESS PIPES IN MIXED SIZES | 30.00 | 21,011 | 6,30,329 | PUC |
| 2009-10 | 20091009 | CHINA P RP | 73042390 | DRILL PIPE 3-1/2 ,G-105,EU,RH 13.3 PPF* | 27.87 | 1,61,012 | 44,87,626 | PUC |
| 2009-10 | 20091023 | U ARAB EMTS | 73049000 | SECONDARY SECOND CHOICE CARBON STEEL SEAMLESS DEFECTIVE PIPEMIX LOT | 26.00 | 21,116 | 5,49,024 | PUC |
| 2009-10 | 20091001 | CHINA P RP | 73049000 | CARBON STEEL SEAMLESS PIPE ACC. TO API 5L, GRADE- B SIZE 193.7 MM X 9.53 MM X 1 | 26.00 | 34,148 | 8,87,854 | PUC |
| 2009-10 | 20091020 | CHINA P RP | 73049000 | SEAMLESS STEEL PIPE OF ST52 O.D.250MM WT:50MM LENGTH 3100MM(25.23)MTS | 25.24 | 52,407 | 13,22,621 | PUC |
| 2009-10 | 20091012 | JAPAN | 73049000 | SEAMLESS CARBON STEEL PIPES | 25.00 | 39,561 | 9,89,022 | PUC |
| 2009-10 | 20091001 | JAPAN | 73049000 | SEAMLESS CARBON STEEL PIPES | 25.00 | 39,185 | 9,79,628 | PUC |
| 2009-10 | 20091006 | NETHERLAND | 73041990 | SEAMLESS STEEL TUBES (60.3X5.5MM) | 25.00 | 20,753 | 5,18,836 | PUC |
| 2009-10 | 20091008 | CHINA P RP | 73042990 | SEAMLESS STEEL PIPE API 5L GRADE 219.1MMX10.31MM | 25.00 | 45,939 | 11,48,471 | PUC |
| 2009-10 | 20091008 | CHINA P RP | 73042990 | SEAMLESS STEEL PIPE API 5L GRADE 219.1MMX10.31MM | 25.00 | 45,271 | 11,31,782 | PUC |
| 2009-10 | 20091005 | U S A | 73042390 | OILFIELD EQUIPMENTS SPARES PARTS - 3-1/2 OD DRILL PIPE | 24.00 | 63,800 | 15,31,188 | PUC |
| 2009-10 | 20091026 | JAPAN | 73049000 | SEAMLESS CARBON STEEL PIPES | 24.00 | 40,074 | 9,61,780 | PUC |
| 2009-10 | 20091006 | JAPAN | 73049000 | SECONDARY CARBON STEEL SEAMLESS PIPES | 24.00 | 21,097 | 5,06,320 | PUC |
| 2009-10 | 20091001 | SINGAPORE | 73049000 | SECONDARY SECOND CHOICE CARBON STEEL SEAMLESS / WELDED PIPES STOCK LOT | 24.00 | 17,327 | 4,15,837 | PUC |
| 2009-10 | 20091029 | CHINA P RP | 73045110 | COLD DRAWN CARBON STEEL SEAMLESS TUBES 60.3X2.85X10400 | 24.00 | 50,465 | 12,11,161 | PUC |
| 2009-10 | 20091028 | CHINA P RP | 73042990 | SEAMLESS STEEL PIPE API 5L GRADE B.101.6MMX8.08MM | 24.00 | 48,989 | 11,75,736 | PUC |
| 2009-10 | 20091028 | CHINA P RP | 73042990 | SEAMLESS STEEL PIPE API 5L GRADE B 219.1MMX10.31MM | 24.00 | 48,525 | 11,64,596 | PUC |
| 2009-10 | 20091001 | CHINA P RP | 73049000 | SEAMLESS CARBON STEEL PIPES (ASTM A106 GR B 2007, SIZE-8 X 40 X 11-12M | 24.00 | 44,540 | 10,68,951 | PUC |
| 2009-10 | 20091006 | CHINA P RP | 73045110 | COLD DRAWN CARBON STEEL SEAMLESS TUBES/PIPES(MOTHER HOLLOW)OD 33.4MM WT.3.38MM | 24.00 | 43,529 | 10,44,694 | PUC |
| 2009-10 | 20091005 | CHINA P RP | 73043119 | CARBON STEEL SEAMLESS PIPE (18 X SCH 120 X 5-7 M) (6 PCS) | 24.00 | 35,557 | 8,53,366 | PUC |
| 2009-10 | 20091014 | CHINA P RP | 73043929 | COLD DRAWN READY TO HONE PRECISION TUBE (140X159X5150MM) | 24.00 | 18,527 | 4,44,622 | PUC |
| 2009-10 | 20091026 | ITALY | 73043911 | COLD DRAWN SEAMLESS STEEL TUBE-150.50X7.75X4950.00 | 23.39 | 70,121 | 16,40,120 | PUC |
| 2009-10 | 20091006 | JAPAN | 73049000 | SEAMLESS CARBON STEEL PIPES | 23.00 | 40,597 | 9,33,738 | PUC |
| 2009-10 | 20091023 | CHINA P RP | 73045120 | ALLOY STEEL SEAMLESS PIPE | 23.00 | 70,507 | 16,21,665 | PUC |

Import Data from DGCIS [All Countries PUC]

Apr 2009 to Jun 2012

| Year | Date | Country | ITC-HS | Item-Des | Quantity (MT) | Price (Rs./MT) | Value (Rs) | PUC/ NPUC |
|---------|----------|----------------|----------|---|---------------|----------------|------------|--------------|
| 2009-10 | 20091015 | CHINA P RP | 73043119 | SEAMLESS TUBES AS PER ASTM A106/API 5L GR-A | 23.00 | 34,916 | 8,03,076 | PUC |
| 2009-10 | 20091030 | U ARAB EMTS | 73049000 | SECONDARY SECOND CHOICE CARBON STEEL SEAMLESS & WELDED PIPE& PIPE FITTINGS DEFE | 22.00 | 21,552 | 4,74,143 | PUC |
| 2009-10 | 20091026 | U K | 73049000 | SECONDARY SECOND CHOICE CARBON STEEL SEAMLESS / WELDED PIPES STOCK LOT | 22.00 | 17,029 | 3,74,632 | PUC |
| 2009-10 | 20091022 | U S A | 73049000 | CARBON STEEL SEAMLESS PIPE STOCK LOT MIX SIZE | 21.00 | 22,464 | 4,71,746 | PUC |
| 2009-10 | 20091001 | CHINA P RP | 73049000 | CARBON SEAMLESS STEEL PIPE 194MM *45MM | 21.00 | 61,167 | 12,84,513 | PUC |
| 2009-10 | 20091021 | CHINA P RP | 73043119 | SPHERODIZES ANNEALED SAE52100 SEAMLESS COLD-DRAWN TUBES OD.WALL THICKNESS:30.87 | 21.00 | 59,568 | 12,50,934 | PUC |
| 2009-10 | 20091026 | CHINA P RP | 73049000 | CARBON STEEL SEAMLESS TUBE ASTM A106 GR.B | 20.20 | 35,002 | 7,07,035 | PUC |
| 2009-10 | 20091021 | CHINA P RP | 73049000 | STEEL TUBES-19.7MMX14.5MM-2.60MM | 20.18 | 1,09,350 | 22,06,683 | PUC |
| 2009-10 | 20091028 | U S A | 73049000 | M.S.REJECTED/DEFECTIVE/SECONDARY STOCK-LOT PIPES | 20.00 | 34,817 | 6,96,334 | PUC |
| 2009-10 | 20091023 | U K | 73049000 | NON ALLOY SECONDARY SCOND CHOICE CARBON STEEL SEAMLESS/WELD PIPE MIXED | 20.00 | 26,054 | 5,21,079 | PUC |
| 2009-10 | 20091026 | U S A | 73049000 | SECONDARY DEFECTIVE M.S. PIPES | 20.00 | 20,647 | 4,12,937 | PUC |
| 2009-10 | 20091030 | CHINA P RP | 73043939 | SUPPLY OF CARBON STEEL SEAMLESS PIPES ASTM A 106 GR-B,ITEM SIZE OD:508MM*36MM T | 20.00 | 49,886 | 9,97,719 | PUC |
| 2009-10 | 20091001 | CHINA P RP | 73043119 | CARBON STEEL SEAMLESS PIPE AS PER ASTM A106/API 5L GR A & B | 20.00 | 32,433 | 6,48,669 | PUC |
| 2009-10 | 20091021 | CHINA P RP | 73049000 | SPL STEEL TUBE SCM415H OD17.35MM X ID 12.0MM | 19.79 | 1,21,701 | 24,08,708 | PUC |
| 2009-10 | 20091012 | KUWAIT | 73049000 | SECONDARY CARBON STEEL PIPES FITTING | 19.00 | 21,349 | 4,05,633 | PUC |
| 2009-10 | 20091007 | ITALY | 73043929 | TUBES (COLD DRAWN SMLS TUBES)(E355 + SR EN10305/1) (MM215X12.5) 2 PCS | 19.00 | 7,051 | 1,33,965 | PUC |
| 2009-10 | 20091027 | INDONESIA | 73042390 | 2-7/8 OD 10.40 LB/FT GRADE G-105 R2 DRILL PIPE, NC31 CONNECTIONS, 4-1/8 X 1-1 | 18.76 | 2,83,018 | 53,08,278 | PUC |
| 2009-10 | 20091009 | U S A | 73049000 | SECONDARY SECOND CHOICE CARBON STEEL SEAMLESS DEFECTIVE PIPE | 18.00 | 20,699 | 3,72,577 | PUC |
| 2009-10 | 20091001 | CHINA P RP | 73043119 | CARBON STEEL SEAMLESS PIPE (14 X 7.92 MM) (22 PCS) | 18.00 | 47,983 | 8,63,699 | PUC |
| 2009-10 | 20091026 | TAIWAN | 73042990 | DO ORIGINAL MATERIAL PIPES STKM 13C DIA 79.7MM X 92MM | 16.18 | 78,324 | 12,67,068 | PUC |
| 2009-10 | 20091001 | U ARAB EMTS | 73042390 | HEAVY WEIGHT DRILL PIPES 3-1/2 OD | 16.00 | 1,68,420 | 26,94,716 | PUC |
| 2009-10 | 20091014 | CHINA P RP | 73042390 | DRILL PIPE SHORT 5 IEU,RH,S-135,19.5 PPF T/J OD 6-5/8 ,ID2-3/4 ,NC-50,1.5MR | 15.67 | 94,430 | 14,79,595 | PUC |
| 2009-10 | 20091028 | U K | 73042390 | PROCUREMENT OFDRILL PIPES 2-7/8 OD, EU, G-105, 10.4PPF, TJOD 4-1/8 /"D-2 , TA | 15.21 | 1,74,158 | 26,49,309 | PUC |
| 2009-10 | 20091026 | U K | 73049000 | SECONDARY SECOND CHOICE CARBON STEEL SEAMLESS / WELDED PIPES STOCK LOT | 14.00 | 17,029 | 2,38,402 | PUC |
| 2009-10 | 20091012 | U S A | 73043139 | SEAMLESS STEEL TUBE (OD 244.50 MM X ID 186.995 MM) | 13.16 | 1,54,640 | 20,35,214 | PUC |
| 2009-10 | 20091005 | KOREA RP | 73041110 | STEEL PIPES (50.8MMX1.5MMX5800MM) | 13.00 | 49,018 | 6,37,229 | PUC |
| 2009-10 | 20091003 | CHINA P RP | 73043119 | SINGLE WALL STEEL TUBE ZN COATED (SIZE:4.0MMX T0.5MM) | 12.40 | 81,616 | 10,12,040 | PUC |
| 2009-10 | 20091022 | GERMANY | 73049000 | STEEL TUBES 63.5X5 SA 210M/SA450 A1 | 11.35 | 58,771 | 6,67,052 | PUC |
| 2009-10 | 20091029 | CHINA P RP | 73049000 | BEARING QUALITY STEEL TUBES - SAE52100 - SIZE : 38.6*3.9 | 11.24 | 49,815 | 5,59,771 | PUC |
| 2009-10 | 20091016 | CHINA P RP | 73049000 | CARBON STEEL SEAMLESS PIPES AS PER API 5L/A53/ASTM A106 GR.B PIPES | 10.12 | 31,210 | 3,15,809 | PUC |
| 2009-10 | 20091005 | CHINA P RP | 73043119 | COLD DRAWN SEAMLESS TUBE ASME SA 179 SIZE:19.05X2.11X6100MM | 10.00 | 46,940 | 4,69,395 | PUC |
| 2009-10 | 20091002 | CHINA P RP | 73049000 | PRIME CARBON STEEL SEAMLESS PIPES (ASTM A106 GR.B)(127*20*5800MM) | 10.00 | 43,710 | 4,37,101 | PUC |
| 2009-10 | 20091027 | JAPAN | 73041990 | PIPES(HOT FINISHED SEAML | 8.68 | 71,160 | 6,17,313 | PUC |
| 2009-10 | 20091029 | CHINA P RP | 73049000 | SPL STEEL TUBE SCM415H OD17.35MM X ID 12.0MM | 7.69 | 1,19,121 | 9,16,037 | PUC |
| 2009-10 | 20091012 | CHINA P RP | 73049000 | C.S SEAMLESS PIPE | 7.06 | 49,668 | 3,50,406 | PUC |
| 2009-10 | 20091010 | CZECH REPUBLIC | 73045910 | ALLOY STEEL SEAMLESS PIPES, GRADE P22 | 7.03 | 1,22,237 | 8,59,328 | PUC |
| 2009-10 | 20091013 | CHINA P RP | 73045930 | SEAMLESS STEEL GAS CYLINDER TUBE 267MMX6.5MM | 7.00 | 53,821 | 3,76,747 | PUC |
| 2009-10 | 20091015 | CHINA P RP | 73043911 | CARBON STEEL SEAMLESS MOTHER PIPE (HOT FINISHED)OD 20MM*W/T2MM*9400MM (3415 PCS | 7.00 | 52,980 | 3,70,857 | PUC |
| 2009-10 | 20091014 | CHINA P RP | 73043919 | COLD DRAWN READY TO HONE PRECISION TUBE (90X100MM) | 6.54 | 56,602 | 3,70,109 | PUC |
| 2009-10 | 20091019 | CHINA P RP | 73042990 | SEAMLESS PIPE 114.3X7.9MMX46 3 LAYER POLYTHYLENE COATED | 6.22 | 54,592 | 3,39,614 | PUC |
| 2009-10 | 20091008 | U K | 73049000 | SECONDARY SECOND CHOICE CARBON STEEL SEAMLESS / WELDED PIPES STOCK LOT | 6.00 | 17,455 | 1,04,727 | PUC |

**Import Data from DGCIS [All Countries PUC]
Apr 2009 to Jun 2012**

| Year | Date | Country | ITC-HS | Item-Des | Quantity (MT) | Price (Rs./MT) | Value (Rs) | PUC/ NPUC |
|---------|----------|-------------|----------|--|---------------|----------------|------------|--------------|
| 2009-10 | 20091006 | CHINA P RP | 73043139 | SEAMLESS READY TO HONE TUBE (OD 273.00 MM X ID 239.53 MM) | 5.97 | 84,807 | 5,06,043 | PUC |
| 2009-10 | 20091022 | GERMANY | 73049000 | STEEL TUBES 60.3X7.1 SA210M/SA450 T12 | 5.75 | 71,869 | 4,13,174 | PUC |
| 2009-10 | 20091022 | CHINA P RP | 73041110 | STEEL TUBE -13.00MM OD*5MM ID,CROMIOUN 1.43% CARBON 0.97% MAGNUM 0.31% OTHER THA | 5.22 | 99,630 | 5,20,268 | PUC |
| 2009-10 | 20091022 | ITALY | 73042990 | PIPE D 4 SCH XXS L=MT.1 SA182 F304H | 5.18 | 1,00,008 | 5,17,943 | PUC |
| 2009-10 | 20091029 | CHINA P RP | 73043119 | SEAMLESS CARBON & ALLOY STEEL PIPES. OD 273 X 36 X 6000. GRADE SA 106 GRB | 5.05 | 72,905 | 3,68,291 | PUC |
| 2009-10 | 20091007 | ITALY | 73043939 | TUBES (HOT ROLLED SMLS TUBES)(E355 EN10297-1/03) (MM 229X25) 1 PCS | 5.00 | 1,24,019 | 6,20,097 | PUC |
| 2009-10 | 20091005 | SAUDI ARAB | 73049000 | SECONDARY SECOND CARBON STEEL SEAMLESS / WELDED PIPES MIXED THICKNESS MIXED LO | 5.00 | 15,334 | 76,669 | PUC |
| 2009-10 | 20091020 | TAIWAN | 73042910 | ROD 8MM ROD,5700MM LENGTH WITHOUT HOT DIP | 4.96 | 1,09,572 | 5,43,039 | PUC |
| 2009-10 | 20091028 | U ARAB EMTS | 73042990 | 12 22.2MM X 150 MM PIPE A694 F60 | 4.89 | 1,00,117 | 4,89,574 | PUC |
| 2009-10 | 20091006 | JAPAN | 73041990 | STEEL TUBE (TSWZ13F9.00X0.7X879MM) (P/NO.10908CD879) (NOT FOR SALE) | 3.90 | 79,517 | 3,10,115 | PUC |
| 2009-10 | 20091001 | U ARAB EMTS | 73049000 | HEA 240X11.8MTR-S275JR | 3.00 | 90,994 | 2,72,983 | PUC |
| 2009-10 | 20091030 | SINGAPORE | 73049000 | SEAMLESS STEEL PIPES (RE-EXPORT BASIS) 24 1.000 LEOPARD SD DRIVE CHASER, (2- | 3.00 | 59,778 | 1,79,334 | PUC |
| 2009-10 | 20091008 | SINGAPORE | 73049000 | SECONDARY SECOND CHOICE CARBON STEEL SEAMLESS / WELDED PIPES | 3.00 | 19,461 | 58,384 | PUC |
| 2009-10 | 20091009 | CHINA P RP | 73049000 | SEAMLESS ALLOY STEEL PIPES GRADE P22 | 3.00 | 1,18,079 | 3,54,237 | PUC |
| 2009-10 | 20091005 | CHINA P RP | 73045920 | SEAMLESS STEEL TUBE(OD 160MMXID 140MMXL 5150MM) | 3.00 | 80,549 | 2,41,647 | PUC |
| 2009-10 | 20091001 | CHINA P RP | 73043119 | CARBON STEEL SEAMLESS PIPE AS PER ASTM A106/API 5L GR A & B | 3.00 | 40,161 | 1,20,484 | PUC |
| 2009-10 | 20091013 | FRANCE | 73049000 | TUBE SANS SOUDURE T03175AD089CJ 29.97 X 31.75 X 0.89 MM (FOR MANF OF AIR CRAFT | 2.87 | 1,00,322 | 2,87,924 | PUC |
| 2009-10 | 20100122 | ITALY | 73043129 | SEAMSS COLD DAWN | 2.56 | 99,703 | 2,54,842 | PUC |
| 2009-10 | 20091030 | CHINA P RP | 73041920 | SEAMLESS READY FOR HONING TUBE, ST52,DIN2391,PIPE(MM)OD.205XWT.180XL.7900 | 2.34 | 87,555 | 2,05,299 | PUC |
| 2009-10 | 20091003 | TAIWAN | 73042990 | HONED TUBE WITH O.D HARD CHROME PLATE ST52.3 DIA 50MM*60MM*1167MM | 2.14 | 1,00,300 | 2,14,642 | PUC |
| 2009-10 | 20091024 | GERMANY | 73049000 | SQUARE TUBE 200X200X16 S355J2H (1 PCS; 3.000 MTRS) | 2.00 | 1,22,089 | 2,44,177 | PUC |
| 2009-10 | 20091029 | BELGIUM | 73049000 | CARBON STEEL SEAMLESS PIPE SECONDRY /DEFECTIVE | 2.00 | 21,163 | 42,325 | PUC |
| 2009-10 | 20091022 | U ARAB EMTS | 73049000 | SECONDARY SECOND CHOICE CARBON STEEL SEAMLESS / WELDED PIPES | 2.00 | 17,202 | 34,403 | PUC |
| 2009-10 | 20091005 | SAUDI ARAB | 73049000 | SECONDARY SECOND CARBON STEEL SEAMLESS / WELDED PIPES MIXED THICKNESS MIXED LO | 2.00 | 15,113 | 30,225 | PUC |
| 2009-10 | 20091001 | CHINA P RP | 73049000 | CARBON STEEL SEAMLESS PIPES, ASTM A 106 GR B | 2.00 | 50,659 | 1,01,317 | PUC |
| 2009-10 | 20091001 | CHINA P RP | 73049000 | CARBON STEEL SEAMLESS PIPES STOCK LOT | 2.00 | 31,152 | 62,303 | PUC |
| 2009-10 | 20091015 | CHINA P RP | 73049000 | MS SEAMLESS TUBE 70930821(50MM X 50MM X 6MM THK) | 1.80 | 2,22,252 | 3,99,511 | PUC |
| 2009-10 | 20091026 | ITALY | 73041910 | SEAMLEES COLD DRAWN TUBES STEEL PHC 355 WITH S<=0.010% STRESS RELIEVED OILED | 1.78 | 1,17,175 | 2,08,688 | PUC |
| 2009-10 | 20091027 | CHINA P RP | 73043119 | SWST ZN COATED PIPE DIA 4.0 MM X 0.7MM (30000 MTR) | 1.76 | 90,930 | 1,59,582 | PUC |
| 2009-10 | 20091005 | CHINA P RP | 73043119 | SWST ZN COATED PIPE DIA4.0MMX0.7MM (30000 MTR) | 1.76 | 90,930 | 1,59,582 | PUC |
| 2009-10 | 20091009 | U S A | 73043129 | COLD DRAWN SEAMLESS STEEL TUBES 8.424 OD X 6.360 IDTOTAL LENGTH 2902.86 FT | 1.55 | 1,00,111 | 1,55,172 | PUC |
| 2009-10 | 20091008 | MALAYSIA | 73041910 | SEQUARE AND RECTANGULAR HOLLOW TUBES 75MM X 50MM X 6MM - 6 METERS LENGHTS | 1.20 | 1,09,578 | 1,31,494 | PUC |
| 2009-10 | 20091022 | JAPAN | 73041910 | SUPPLY OF CS NACE PIPES , PIPE SMLS A106 GR.B . MTRL. SPCCN. : CS NACE , OD(| 1.11 | 2,23,963 | 2,47,479 | PUC |
| 2009-10 | 20091015 | CHINA P RP | 73049000 | COLD DRAWN SEAMLESS STEEL TUBE SCM415H (12.3 5 +0.05MM X ID 8.00- 0.10MM) | 1.06 | 1,17,661 | 1,25,191 | PUC |
| 2009-10 | 20091008 | SWEDEN | 73045120 | 807779 KANTHAL APM TUBE 33.4/26.64X1020 WITH INTERNAL END CAP [APM STEEL TUBE | 1.05 | 1,00,393 | 1,05,413 | PUC |
| 2009-10 | 20091001 | U S A | 73041990 | ALLOY TUBE ROUND | 1.00 | 35,917 | 35,917 | PUC |
| 2009-10 | 20091026 | U K | 73049000 | SECONDARY SECOND CHOICE CARBON STEEL SEAMLESS / WELDED PIPES STOCK LOT | 1.00 | 25,359 | 25,359 | PUC |
| 2009-10 | 20091013 | CHINA P RP | 73045930 | SEAMLESS STEEL GAS CYLINDER TUBE 267MMX6.5MM | 1.00 | 79,111 | 79,111 | PUC |
| 2009-10 | 20091001 | CHINA P RP | 73049000 | CARBON STEEL SEAMLESS PIPES STOCK LOT | 1.00 | 22,939 | 22,939 | PUC |
| 2009-10 | 20091001 | CHINA P RP | 73041990 | SEAMLESS PIPES 88.9 X 7.6 MM X 46 3 LAYER POLYTHYLENE COATED - ESSENTIAL CERTIF | 0.91 | 55,234 | 50,516 | PUC |
| 2009-10 | 20091012 | KOREA RP | 73042990 | 44.6MM OD X 2.5 MMWT CUNI 90/10 SEAMLESS PIPES TO EMUA 144 7060X | 0.85 | 1,00,093 | 84,579 | PUC |

**Import Data from DGCIS [All Countries PUC]
Apr 2009 to Jun 2012**

| Year | Date | Country | ITC-HS | Item-Des | Quantity (MT) | Price (Rs./MT) | Value (Rs) | PUC/ NPUC |
|---------|----------|-------------|----------|--|---------------|----------------|-------------|--------------|
| 2009-10 | 20091021 | U ARAB EMTS | 73043911 | CS SMLS PIPES (ASTM A333M/ASME SA 333M) DIA 33.40 MM | 0.27 | 1,00,223 | 26,559 | PUC |
| 2009-10 | 20091026 | U K | 73049000 | SECONDARY SECOND CHOICE CARBON STEEL SEAMLESS / WELDED PIPES STOCK LOT | 0.15 | 1,04,440 | 15,666 | PUC |
| 2009-10 | 20091001 | U ARAB EMTS | 73049000 | HEA 240X11.8MTR-S275JR | 0.15 | 1,00,288 | 14,642 | PUC |
| 2009-10 | 20091015 | U ARAB EMTS | 73049000 | SECONDARY SECOND CHOICE CARBON STEEL SEAMLESS / WELDED PIPES | 0.10 | 1,00,204 | 10,321 | PUC |
| 2009-10 | 20091006 | JAPAN | 73041990 | STEEL TUBE (TSWZ13F9.00X0.7X879MM) (P/NO.10908CD879) (NOT FOR SALE) | 0.10 | 93,560 | 9,356 | PUC |
| 2009-10 | 20091015 | U ARAB EMTS | 73049000 | SECONDARY CARBON STEEL SEAMLESS/WELDED PIPES | 0.10 | 1,01,032 | 9,598 | PUC |
| 2009-10 | 20091019 | KUWAIT | 73049000 | SECONDARY CARBON STEEL SEAMLESS/WELDED PIPES | 0.10 | 1,00,105 | 9,510 | PUC |
| 2009-10 | 20091007 | CHINA P RP | 73041990 | LINE PIPE 60.30MM, 4.4MM X 46 SEAMLESS (NON-COATED) - ESSENTIAL CERTIFICATE NO. | 0.07 | 45,692 | 3,327 | PUC |
| 2009-10 | 20091026 | U K | 73049000 | SECONDARY SECOND CHOICE CARBON STEEL SEAMLESS / WELDED PIPES STOCK LOT | 0.07 | 1,00,732 | 7,152 | PUC |
| 2009-10 | 20091023 | U ARAB EMTS | 73049000 | SECONDARY SECOND CHOICE CARBON STEEL SEAMLESS DEFECTIVE PIPEMIX LOT | 0.04 | 1,01,825 | 4,073 | PUC |
| 2009-10 | 20091016 | CHINA P RP | 73049000 | CARBON STEEL SEAMLESS PIPES AS PER API 5L/A53/ASTM A106 GR.B PIPES | 0.03 | 31,200 | 936 | PUC |
| 2009-10 | 20091016 | U S A | 73049000 | CARBON STEEL SEAMLESS PIPE STOCK LOT MIX SIZE | 0.03 | 1,03,308 | 2,686 | PUC |
| 2009-10 | 20091026 | CHINA P RP | 73049000 | CARBON STEEL SEAMLESS TUBE ASTM A106 GR.B | 0.02 | 35,000 | 840 | PUC |
| 2009-10 | 20091026 | GERMANY | 73049000 | PIPE AIREND -OIL SEP DIA 42X2,5 | 0.02 | 1,01,619 | 2,134 | PUC |
| 2009-10 | 20091020 | GERMANY | 73049000 | PIPE AIREND-OIL SEP.DIA42X2,5 | 0.02 | 1,01,619 | 2,134 | PUC |
| 2009-10 | 20091030 | U ARAB EMTS | 73049000 | SECONDARY SECOND CHOICE CARBON STEEL SEAMLESS & WELDED PIPE& PIPE FITTINGS DEFE | 0.02 | 52,200 | 1,044 | PUC |
| 2009-10 | 20091009 | U S A | 73049000 | SECONDARY SECOND CHOICE CARBON STEEL SEAMLESS DEFECTIVE PIPE | 0.02 | 1,06,053 | 2,015 | PUC |
| 2009-10 | 20091030 | GERMANY | 73049000 | CARBON STEEL SECONDARY/DEFECTIVE SEAMLESS PIPE (SECOND CHOICE) | 0.02 | 1,03,316 | 1,963 | PUC |
| 2009-10 | 20091008 | U S A | 73049000 | CARBON STEEL SECONDARY DEFECTIVE SEAMLESS PIPES | 0.004 | 1,21,750 | 487 | PUC |
| 2009-10 | 20091023 | GERMANY | 73049000 | SECONDARY DEFECTIVE CARBON STEEL SEAMLESS PIPES | 0.004 | 1,02,000 | 408 | PUC |
| 2009-10 | 20091104 | CHINA P RP | 73041990 | SEAMLESS PIPE 114.3 X 7.9 MM X 46.3 LAYER POLYETHYLENE COATED (6682 PCS), EC NO. | 1,658.60 | 53,098 | 8,80,68,696 | PUC |
| 2009-10 | 20091112 | CHINA P RP | 73041990 | SEAMLESS PIPE 60.3 X 5.5MM X 46 3 LAYER POLYETHYLENE COATED (10628 PCS) | 944.35 | 58,253 | 5,50,11,316 | PUC |
| 2009-10 | 20091109 | ITALY | 73043129 | SEAMLESS COLD DRAWN TUBES FOR HYDRAULIC CYLINDERS | 906.00 | 7,541 | 68,31,767 | PUC |
| 2009-10 | 20091116 | SWITZERLAND | 73062919 | CASING PIPE GRADE:N80 TYPE Q (9 5/8INCHX43.5PPFXR3, BC (NWT:660.469MTS) | 660.47 | 54,312 | 3,58,71,552 | PUC |
| 2009-10 | 20091109 | CHINA P RP | 73063090 | PIPES - OD 219.1 X8.18 - PI21917Z21618ZZZ | 550.39 | 64,869 | 3,57,03,568 | PUC |
| 2009-10 | 20091112 | CHINA P RP | 73043939 | HIGH PRESSURE GAS CYLINDER SEAMLESS STEEL TUBE ACCORDING TO JISG 3429(OD 232MM | 519.00 | 46,614 | 2,41,92,796 | PUC |
| 2009-10 | 20091104 | CHINA P RP | 73041990 | SEAMLESS PIPE 168.3 X 6.4 MM X 46.3 LAYER POLYETHYLENE COATED (1670 PCS), EC NO. | 511.16 | 55,297 | 2,82,66,020 | PUC |
| 2009-10 | 20091119 | CHINA P RP | 73043911 | HOT FINISHED SEAMLESS TUBES (GRADE: 37MN) SIZE : 139.7MM X 4.5MM X 5720 MM | 493.00 | 44,210 | 2,17,95,336 | PUC |
| 2009-10 | 20091103 | CHINA P RP | 73043911 | HOT FINISHED SEAMLESS STEEL TUBES (JIS G3429(1988), GRADE 37 MN) SIZE: OD 232MM | 479.00 | 44,973 | 2,15,41,852 | PUC |
| 2009-10 | 20091125 | FRANCE | 73049000 | HOT FINISHED SEAMLESS STEEL TUBES ASME SA 210 OD 44.5 MM X WT 8MM, FL 8571 M | 442.00 | 94,249 | 4,16,58,042 | PUC |
| 2009-10 | 20091105 | CHINA P RP | 73041190 | CARBON STEEL SEAMLESS PIPES ASTM A106/API 5 L GR B PSL 1 219.1MM ODX 8.18 MM WT | 409.67 | 35,110 | 1,43,83,525 | PUC |
| 2009-10 | 20091116 | SWITZERLAND | 73062919 | CASING PIPE GRADE:N80 TYPE Q (9 5/8INCHX43.5PPFXR3, BC (NWT:413.843MTS) | 406.23 | 55,429 | 2,25,17,006 | PUC |
| 2009-10 | 20091117 | CHINA P RP | 73041990 | CARBON STEEL SEAMLESS PIPES ASTM A106/API 5L GR.B PSL1 WALL THICK TOLRNC +15/-1 | 398.88 | 37,624 | 1,50,07,273 | PUC |
| 2009-10 | 20091126 | CHINA P RP | 73043939 | HOT ROLLED SEAMLESS STEEL (CMN) TUBE SIZE 232MM X 5.4MM 37MN | 386.00 | 51,717 | 1,99,62,798 | PUC |
| 2009-10 | 00991211 | CHINA P RP | 73045110 | STEEL TUBE DIA 4.76X0.60MM WITH COPPER COATED (CAPTIVE CONSUMPTION) | 338.67 | 61,068 | 2,06,81,930 | PUC |
| 2009-10 | 20091113 | CHINA P RP | 73043119 | COLD DRAWN SEAMLESS CARBON STEEL TUBES CONFORMING TO SA179 (SIZE: 32 MM OD X 2. | 321.35 | 39,654 | 1,27,42,896 | PUC |
| 2009-10 | 20091107 | CHINA P RP | 73043119 | COLD DRAWN SEAMLESS CARBON STEEL TUBES DIN 1629/84 ST 37.4 SIZE 54.00 X6.50 X85 | 317.00 | 42,135 | 1,33,56,681 | PUC |
| 2009-10 | 20091113 | U K | 73042990 | REGULAR SIZE CASING PIPES 9-5/8 J-55 40 PPF BTC (146 BDLS=437 PCS) (5199 MTR | 309.44 | 33,448 | 1,03,50,328 | PUC |
| 2009-10 | 20091106 | FRANCE | 73049000 | HOT FINISHED SEAM LESS STEEL TUBE ASME SA 106 (AS PER INV.) P.O. NO.- 680010560 | 308.00 | 3,21,342 | 9,89,73,407 | PUC |
| 2009-10 | 20091113 | CHINA P RP | 73043911 | HOT FINISHED SEAMLESS TUBES (GRADE: 37MN) SIZE: 108,0MM X 4,0 MM X 5520MM | 298.00 | 44,164 | 1,31,60,988 | PUC |
| 2009-10 | 20091112 | U K | 73042990 | CASING PIPES 9-5/8 ,J-55,40 PPF BTC (141 BDLS=421 PCS) (4992.80 MTR=297.207 MT | 297.12 | 78,766 | 2,34,03,240 | PUC |

**Import Data from DGCIS [All Countries PUC]
Apr 2009 to Jun 2012**

| Year | Date | Country | ITC-HS | Item-Des | Quantity (MT) | Price (Rs./MT) | Value (Rs) | PUC/ NPUC |
|---------|----------|-------------|----------|--|---------------|----------------|-------------|--------------|
| 2009-10 | 20091124 | CHINA P RP | 73045920 | SEAMLESS STEEL GAS CYLINDER TUBE 232MM X 5.4MM | 293.00 | 44,309 | 1,29,82,466 | PUC |
| 2009-10 | 20091117 | CHINA P RP | 73043919 | 73043931 PIPES (CARBON STEEL) | 283.00 | 40,088 | 1,13,44,783 | PUC |
| 2009-10 | 20091106 | CHINA P RP | 73049000 | CARBON STEEL SEAMLESS PIPES AS PER API 5L/A53/ASTM A106 GR.B.PIPES | 282.62 | 28,853 | 81,54,493 | PUC |
| 2009-10 | 20091105 | CHINA P RP | 73041190 | CARBON STEEL SEAMLESS HOT FINISHED PIPES DIN17175 ST35.8 SIZE-55MM ODX4.5MM THK | 282.00 | 32,874 | 92,70,327 | PUC |
| 2009-10 | 20091105 | CHINA P RP | 73043119 | CS SEAMLESS TUBES - 31.75MM OD X 2.10MM THK (MIN) X 5.486 MTRS - (5480.51MTR) | 276.45 | 42,391 | 1,17,19,138 | PUC |
| 2009-10 | 20091103 | CHINA P RP | 73043911 | HOT FINISHED SEAMLESS STEEL TUBES (JIS G3429(1988) GRADE 34CRM04) SIZE: OD 267 | 276.00 | 49,804 | 1,37,45,876 | PUC |
| 2009-10 | 20091112 | CHINA P RP | 73049000 | CARBON STEEL SEAMLESS HOT FINISHED PIPES ASTM A106 GR.A SIZE 42 MM OD X 4 MM W | 255.00 | 34,622 | 88,28,731 | PUC |
| 2009-10 | 20091103 | BELGIUM | 73049000 | NON ALLOY SECONDARY SCOND CHOICE CARBON STEEL SEAMLESS/WELDPIPE MIXED | 249.00 | 24,886 | 61,96,558 | PUC |
| 2009-10 | 20091116 | U S A | 73049000 | CARBON STEEL SEAMLESS PIPES STOCK LOT MIX SIZE | 247.00 | 20,880 | 51,57,394 | PUC |
| 2009-10 | 20091109 | U K | 73041990 | SEAMLESS STEEL LINE PIPES.60.30MM 4.4MM X46 SEAMLESS (NON-COATED) (118 PACKAGE | 242.63 | 44,464 | 1,07,88,549 | PUC |
| 2009-10 | 20091123 | CHINA P RP | 73043911 | SEAMLESS STEEL PIPES/TUBES FOR GAS CYLINDER (GRADE 37MN) SIZE: 232 X 5.4 X10675 | 229.00 | 36,642 | 83,91,112 | PUC |
| 2009-10 | 20091109 | CHINA P RP | 73045920 | SEAMLESS STEEL GAS CYLINDERS TUBES 267MM X 6.5MM | 225.00 | 48,908 | 1,10,04,214 | PUC |
| 2009-10 | 20091124 | CHINA P RP | 73045920 | SEAMLESS STEEL GAS CYLINDERS TUBES 267MM X 6.5MM | 224.00 | 49,031 | 1,09,82,879 | PUC |
| 2009-10 | 20091117 | ITALY | 73043911 | SEAMLESS STEEL PIPES (GRADE 34CRMO4) O.D. 267.00 MM - WT 6.0 MM (ALLOY STEEL) | 217.00 | 64,975 | 1,40,99,490 | PUC |
| 2009-10 | 20091105 | U S A | 73049000 | CARBON STEEL SECONDARY PIPES | 211.00 | 19,639 | 41,43,840 | PUC |
| 2009-10 | 20091130 | OMAN | 73042990 | ORDINARY MS PIPES(ROUND 6) | 208.00 | 16,626 | 34,58,245 | PUC |
| 2009-10 | 20091106 | CHINA P RP | 73049000 | HOT FINISHED SEAMLESS STEEL TUBE (GRADE 34CRMO4) | 198.00 | 53,431 | 1,05,79,307 | PUC |
| 2009-10 | 20091121 | FRANCE | 73045910 | HOT FINISHED SEAMLESS STEEL TUBES (193KGS=0.193 MTS) | 193.00 | 351 | 67,716 | PUC |
| 2009-10 | 20091110 | CHINA P RP | 73045110 | BEARING QUALITY STEEL TUBE SAE-52100 AND SUJ-3 SIZE: 141.2X11.9MM | 193.00 | 48,805 | 94,19,277 | PUC |
| 2009-10 | 20091106 | CHINA P RP | 73045920 | SEAMLESS STEEL PIPES FOR CYLINDER OD 180 MM X 4.0 MM X L-5620 MM | 193.00 | 45,143 | 87,12,679 | PUC |
| 2009-10 | 20091103 | CHINA P RP | 73049000 | C.S.SEAMLESS PIPE | 191.02 | 37,597 | 71,81,748 | PUC |
| 2009-10 | 20091105 | CHINA P RP | 73041190 | CARBON STEEL SEAMLESS HOT FINISHED PIPES DIN17175 ST35.8 SIZE-55MM ODX4.5MM THK | 175.00 | 33,060 | 57,85,473 | PUC |
| 2009-10 | 20091116 | SWITZERLAND | 73062919 | CASING PIPE GRADE:N80 TYPE Q (9 5/8INCHX43.5PPF XR3, BC (NWT:175.159MTS) | 174.31 | 55,437 | 96,63,291 | PUC |
| 2009-10 | 20091123 | CHINA P RP | 73043911 | SEAMLESS STEEL PIPES/TUBES FOR GAS CYLINDER (GRADE 37MN) SIZE: 232 X 5.4 X 1067 | 168.00 | 36,316 | 61,01,068 | PUC |
| 2009-10 | 20091123 | U S A | 73043911 | SECONDARY DEFECTIVE MS SEAMLESS PIPE | 162.00 | 24,513 | 39,71,049 | PUC |
| 2009-10 | 20091125 | CHINA P RP | 73049000 | CS SEAMLESS PIPES (SIZE: OD 273 X 15.9) | 158.84 | 12,579 | 19,98,000 | PUC |
| 2009-10 | 20091109 | U K | 73049000 | SECONDARY SECOND CHOICE CARBON STEEL SEAMLESS / WELDED PIPES STOCK LOT | 155.00 | 16,573 | 25,68,848 | PUC |
| 2009-10 | 20091119 | GERMANY | 73043911 | CARBON STEEL SEAMLESS PIPES (SECOND CHOICE) | 152.00 | 27,766 | 42,20,404 | PUC |
| 2009-10 | 20091112 | U K | 73042990 | CASING PIPES 9-5/8, J-55,40 PPF BTC (70 BUNDLES=210 PCS) (2496.39 MTR=148.603 | 148.56 | 78,766 | 1,17,01,573 | PUC |
| 2009-10 | 20091126 | CHINA P RP | 73041910 | SEAMLESS STEEL TUBES PIPES 159MMX10MM | 148.00 | 36,588 | 54,15,002 | PUC |
| 2009-10 | 20091103 | CHINA P RP | 73049000 | CARBON STEEL SEAMLESS STEEL PIPES AS PER ASTM 106,GR.B/A53 GR B/API 5L GR.B. ST | 148.00 | 24,123 | 35,70,204 | PUC |
| 2009-10 | 20091113 | U S A | 73043911 | SECONDARY DEFECTIVE MS SEAMLESS PIPE | 146.00 | 24,410 | 35,63,910 | PUC |
| 2009-10 | 20091123 | CHINA P RP | 73049000 | CARBON STEEL SEAMLESS HOT FINISHED MOTHER PIPES GRADE DIN 17175 ST.35.8 , OD 2 | 145.00 | 38,229 | 55,43,220 | PUC |
| 2009-10 | 20091123 | UKRAINE | 73049000 | PRIME CARBON STEEL SEAMLESS PIPES GRADE : ASTM 106 GR.B | 143.00 | 33,345 | 47,68,322 | PUC |
| 2009-10 | 20091110 | U S A | 73042390 | DRILL PIPE 5 IN OD GRADE S135 RANGE 2 1 | 139.41 | 1,05,626 | 1,47,25,230 | PUC |
| 2009-10 | 20091118 | U S A | 73049000 | CARBON STEEL SEAMLESS PIPE SECONDARY/DEFECTIVE | 138.00 | 21,801 | 30,08,559 | PUC |
| 2009-10 | 20091120 | CHINA P RP | 73043119 | SEAMLESS CARBON & ALLOY STEEL PIPES & TUBES. OD 76.2 X WT 12.00 GRADE SA 210 GR | 134.24 | 20,458 | 27,46,173 | PUC |
| 2009-10 | 20091112 | GERMANY | 73049000 | SECONDARY DEFECTIVE CARBON STEEL SEAMLESS PIPES | 133.00 | 24,804 | 32,98,983 | PUC |
| 2009-10 | 20091103 | GERMANY | 73049000 | CARBON STEEL SEAMLESS PIPES (M.S.) SECONDARY/DEFECTIVE | 132.00 | 18,962 | 25,02,927 | PUC |
| 2009-10 | 20091109 | CHINA P RP | 73041990 | SEAMLESS PIPE 88.9 X 6.4MM X 46 3 LAYER POLYETHYLENE COATED (835 PCS), EC NO.: E | 130.14 | 57,602 | 74,96,386 | PUC |
| 2009-10 | 20091103 | SWEDEN | 73045110 | SECONDARY AND DEFECTIVE SEAMLESS STEEL TUBES, GRADE: 100CR6 THICK XWIDTHXLENGTH | 130.00 | 31,298 | 40,68,798 | PUC |

**Import Data from DGCIS [All Countries PUC]
Apr 2009 to Jun 2012**

| Year | Date | Country | ITC-HS | Item-Des | Quantity (MT) | Price (Rs./MT) | Value (Rs) | PUC/ NPUC |
|---------|----------|-------------|----------|---|---------------|----------------|-------------|--------------|
| 2009-10 | 20091124 | U S A | 73049000 | CARBON STEEL SEAMLESS PIPES STOCK LOT MIX SIZE | 129.00 | 20,916 | 26,98,119 | PUC |
| 2009-10 | 20091105 | U S A | 73043911 | SECONDARY DEFECTIVE M S SEAMLESS PIPE | 126.00 | 24,430 | 30,78,220 | PUC |
| 2009-10 | 20091112 | JAPAN | 73049000 | CARBON STEEL SECONDARY PIPES | 126.00 | 19,206 | 24,19,923 | PUC |
| 2009-10 | 20091112 | U K | 73042390 | DRILL PIPES 2-7/8 OD,EUG- 105,10.4 PPF, TJOD 4-1/2 /*D-2,TAPER 18 DEG DRILL 10 | 123.54 | 1,69,424 | 2,09,30,412 | PUC |
| 2009-10 | 20091104 | CHINA P RP | 73049000 | CARBON STEEL SEAMLESS PIPES STOCK LOT | 120.00 | 23,650 | 28,38,000 | PUC |
| 2009-10 | 20091109 | CHINA P RP | 73049000 | M.S. SEAMLESS CARBON STEEL PIPE ASTM A53-06. | 116.00 | 35,140 | 40,76,193 | PUC |
| 2009-10 | 20091112 | U K | 73042390 | DRILL PIPES 2-7/8 OD,EU,G-105,10.4 PPF,TJ OD 4-1/8 /*D-2 TAPER 8 DEG DRILL 84 | 108.30 | 1,69,424 | 1,83,47,878 | PUC |
| 2009-10 | 20091110 | CHINA P RP | 73042390 | DRILL PIPE 2-7/8 OD,EU,G-105,10.4PPFT JOD 4-1/8 /*D-2 TAPER 18 DEG DRILL | 108.09 | 1,69,245 | 1,82,93,862 | PUC |
| 2009-10 | 20091117 | U S A | 73049000 | SECONDARY SURPLUS CARBON STEEL PIPES | 106.00 | 21,936 | 23,25,203 | PUC |
| 2009-10 | 20091110 | CHINA P RP | 73043119 | COLD DRAWN SEAMLESS CARBON STEEL TUBES CONFORMING TO SA179 (20 MM OD X 2 MWT X | 105.78 | 55,922 | 59,15,686 | PUC |
| 2009-10 | 20091103 | BELGIUM | 73049000 | CARBON STEEL SECOND CHOICE SEAMLESS STEEL PIPES | 105.00 | 24,728 | 25,96,388 | PUC |
| 2009-10 | 20091103 | KUWAIT | 73049000 | SECONDARY CARBON STEEL SEAMLESS/WELDED PIPES | 105.00 | 23,937 | 25,13,339 | PUC |
| 2009-10 | 20091103 | U S A | 73069090 | CARBON STEEL SEAMLESS PIPE SECOND CHOICE | 103.96 | 27,214 | 28,29,162 | PUC |
| 2009-10 | 20091102 | CHINA P RP | 73043911 | CARBON STEEL SEAMLESS MOTHER PIPE (HOT FINISHED)OD 26MMW/T2.6MM/11.8MM | 103.00 | 48,587 | 50,04,413 | PUC |
| 2009-10 | 20091105 | CHINA P RP | 73045920 | SEAM-LESS STEEL TUBES DIN1629 IN GRADE ST 52.3 DIMENSION- (MM) 133 X 4 X 6000 | 101.00 | 51,591 | 52,10,724 | PUC |
| 2009-10 | 20091120 | CHINA P RP | 73049000 | CARBON STEEL SEAMLESS PIPES TO ASTM A 106 GRADE B STOCK LOT | 101.00 | 24,225 | 24,46,748 | PUC |
| 2009-10 | 20091123 | ITALY | 73049000 | SECONDARY SECOND CHOICE CARBON STEEL SEAMLESS / WELDED PIPES, MIX LOT | 100.00 | 21,365 | 21,36,482 | PUC |
| 2009-10 | 20091106 | U K | 73042390 | PROCUREMENT OF DRILL PIPES 5 G - 105 GD, R-II,19.5 PPF (72BUNDLES = 389 PCS) (| 99.58 | 1,93,585 | 1,92,77,786 | PUC |
| 2009-10 | 20091125 | CHINA P RP | 73043911 | CARBON STEEL SEAMLESS MOTHER PIPE (HOT FINISHED)DIN17175ST 35.8 (STC 5162 PCS I | 99.00 | 44,439 | 43,99,468 | PUC |
| 2009-10 | 20091113 | U K | 73041990 | SEAMLESS STEEL LINE PIPES 60.30MM, 4.4MM X 46 SEAMLESS (NON-COATED) (56 PKGS=13 | 96.98 | 44,465 | 43,12,329 | PUC |
| 2009-10 | 20091114 | CHINA P RP | 73041110 | SEAMLESS STEEL PIPES ,ASTM A106GR B 48.3MMX3.68MM | 96.00 | 39,721 | 38,13,183 | PUC |
| 2009-10 | 20091116 | U K | 73049000 | SECONDARY SECOND CHOICE CARBON STEEL SEAMLESS / WELDED PIPES STOCK LOT | 95.00 | 16,573 | 15,74,455 | PUC |
| 2009-10 | 20091120 | CHINA P RP | 73043919 | 73043931 PIPES(CARBON STEEL) | 92.00 | 40,338 | 37,11,105 | PUC |
| 2009-10 | 20091116 | CHINA P RP | 73043119 | COLD DRAWN SEAMLESS CARBON STEEL TUBES CONFORMING TO SA179 (SIZE: 25 MM OD X 2. | 88.61 | 60,082 | 53,24,003 | PUC |
| 2009-10 | 20091103 | U S A | 73049000 | SECONDARY SURPLUS CARBON STEEL PIPES | 87.00 | 19,801 | 17,22,704 | PUC |
| 2009-10 | 20091117 | CHINA P RP | 73041910 | CARBON STEEL SEAMLESS PIPES ASTM A106/API 5L GR.B PSL1 WALL THICK TOLRNC +15/-1 | 86.57 | 32,591 | 28,21,287 | PUC |
| 2009-10 | 20091105 | KOREA RP | 73043939 | STEEL PIPES,(SIZE:60.5MM X 1.5MM X 5800MM) | 86.00 | 50,161 | 43,13,873 | PUC |
| 2009-10 | 20091123 | CHINA P RP | 73045110 | BEARING QUALITY STEEL TUBE SAE-52100 AND SUJ-3 SIZE:52.6X5.55MM | 85.00 | 54,505 | 46,32,918 | PUC |
| 2009-10 | 20091104 | U S A | 73049000 | SECONDARY SECOND CHOICE CARBON STEEL SEAMLESS / WELDED PIPES STOCK LOT | 81.00 | 16,573 | 13,42,430 | PUC |
| 2009-10 | 20091130 | JAPAN | 73049000 | CARBON STEEL SECONDARY PIPES | 80.00 | 21,823 | 17,45,877 | PUC |
| 2009-10 | 20091112 | U K | 73049000 | SECONDARY SURPLUS CARBON STEEL PIPES | 79.00 | 19,691 | 15,55,558 | PUC |
| 2009-10 | 20091109 | CHINA P RP | 73041990 | SEAMLESS PIPE 60.3 X 4.4MM X 46 3 LAYER POLYTHYLENE COATED (1084 PCS), EC NO.: | 78.83 | 63,738 | 50,24,271 | PUC |
| 2009-10 | 20091110 | CHINA P RP | 73042390 | DRILL PIPE 2-7/8 OD, EU, LH G-105,10.4 PPF T JOD 2-7/8 API IF (NC-31) 4-1/8 | 77.41 | 1,67,146 | 1,29,39,028 | PUC |
| 2009-10 | 20091106 | U ARAB EMTS | 73049000 | SECONDARY SECOND CHOICE CARBON STEEL SEAMLESS PIPE DEFECTIVE STOCK MIX LOT | 75.00 | 20,331 | 15,24,852 | PUC |
| 2009-10 | 20091105 | SAUDI ARAB | 73049000 | SECONDARY SECOND CARBON STEEL SEAMLESS/ WELDED PIPES MIXED THICKNESS MIXED LOT. | 75.00 | 14,522 | 10,89,138 | PUC |
| 2009-10 | 20091116 | CHINA P RP | 73045110 | BEARING QUALITY STEEL TUBE SAE-52100 AND SUJ-3 SIZE:43.6X9.7MM | 75.00 | 57,448 | 43,08,572 | PUC |
| 2009-10 | 20091104 | U S A | 73049000 | SECONDARY DEFECTIVE CARBON STEEL SEAMLESS PIPE | 73.00 | 21,285 | 15,53,805 | PUC |
| 2009-10 | 20091116 | CHINA P RP | 73045110 | BEARING QUALITY STEEL TUBE SAE-52100 SIZE 51.9 X 6.1 MM | 73.00 | 49,640 | 36,23,715 | PUC |
| 2009-10 | 20091109 | CHINA P RP | 73063090 | PIPES - OD 114.3 X 8.56 MM - PI21917211319ZZZZ | 71.54 | 31,468 | 22,51,348 | PUC |
| 2009-10 | 20091124 | ARGENTINA | 73043911 | SEAMLESS STEEL PIPES (JIS G3429 DS 202)SIZE O.D.267.00MMXWT.6.00 MM (ALLOY STEE | 71.00 | 55,339 | 39,29,055 | PUC |
| 2009-10 | 20091117 | CHINA P RP | 73045110 | BEARING QUALITY STEEL TUBE SAE-52100 SIZE:80.30 X 67.27MM | 69.75 | 47,430 | 33,08,239 | PUC |

**Import Data from DGCIS [All Countries PUC]
Apr 2009 to Jun 2012**

| Year | Date | Country | ITC-HS | Item-Des | Quantity (MT) | Price (Rs./MT) | Value (Rs) | PUC/ NPUC |
|---------|----------|-------------|----------|---|---------------|----------------|-------------|--------------|
| 2009-10 | 20091126 | U ARAB EMTS | 73049000 | SECONDARY CARBON STEEL PIPES | 69.00 | 19,841 | 13,69,056 | PUC |
| 2009-10 | 20091113 | CANADA | 73049000 | SECONDARY DEFECTIVE MILD STEEL PIPES | 68.00 | 13,119 | 8,92,059 | PUC |
| 2009-10 | 20091121 | CHINA P RP | 73045110 | BEARING QUALITY STEEL TUBE SAE-52100 6206 OR 62.8 X 5.5MM | 66.00 | 50,336 | 33,22,191 | PUC |
| 2009-10 | 20091120 | CHINA P RP | 73045110 | BEARING QUALITY STEEL TUBE SAE52100 62/28 OR 58.25 X 49.02MM | 63.85 | 48,556 | 31,00,280 | PUC |
| 2009-10 | 20091106 | GERMANY | 73049000 | HOT FINISHED SEAM LESS STEEL TUBE ASME SA 106 (AS PER INV.) P.O. NO.- 680011030 | 63.00 | 3,45,221 | 2,17,48,951 | PUC |
| 2009-10 | 20091116 | U S A | 73049000 | SECONDARY SECOND CHOICE CARBON STEEL SEAMLESS / WELDED PIPES STOCK LOT | 62.00 | 16,573 | 10,27,539 | PUC |
| 2009-10 | 20091116 | U S A | 73049000 | SECONDARY SECOND CHOICE CARBON STEEL SEAMLESS / WELDED PIPES STOCK LOT | 62.00 | 16,573 | 10,27,539 | PUC |
| 2009-10 | 20091104 | U S A | 73043911 | SECONDARY DEFECTIVE MS SEAMLESS PIPE | 61.00 | 24,643 | 15,03,247 | PUC |
| 2009-10 | 20091113 | U K | 73041990 | SEAMLESS STEEL LINE PIPES 60.30MM 4.4MM X 46 SEAMLESS (NONCOATED)(23 PKG=834 P | 60.69 | 44,466 | 26,98,662 | PUC |
| 2009-10 | 20091121 | CHINA P RP | 73043919 | 73043931 PIPES (CARBON STEEL) | 59.00 | 43,836 | 25,86,328 | PUC |
| 2009-10 | 20091123 | U K | 73049000 | SECONDARY CARBON STEEL SEAMLESS / WELDED PIPES | 53.00 | 17,003 | 9,01,181 | PUC |
| 2009-10 | 20091104 | CHINA P RP | 73043939 | CARBON STEEL SEAMLESS TUBES ASTM A519 1035 AISA 1035 SIZE OD 38.70-60.95MM X ID | 53.00 | 43,490 | 23,04,953 | PUC |
| 2009-10 | 20091103 | U ARAB EMTS | 73049000 | SECONDARY SURPLUS CARBON STEEL PIPES | 52.00 | 19,611 | 10,19,781 | PUC |
| 2009-10 | 20091123 | JAPAN | 73049000 | CARBON STEEL SECONDARY PIPES | 51.00 | 22,062 | 11,25,179 | PUC |
| 2009-10 | 20091113 | CHINA P RP | 73049000 | PRIME CARBON STEEL SEAMLESS PIPES (SA106 GR.B) (88.9MM,114.3MM,141.3MM,168.3MM | 51.00 | 43,805 | 22,34,061 | PUC |
| 2009-10 | 20091121 | CHINA P RP | 73043119 | SEAMLESS CARBON & ALLOY STEEL PIPES & TUBES. OD 60.3 X WT 5.54. GRADE SA 106 GR | 50.24 | 1,28,511 | 64,56,522 | PUC |
| 2009-10 | 20091117 | U ARAB EMTS | 73049000 | CARBON STEEL SEAMLESS PIPE SECONDARY DEFECTIVE | 50.00 | 22,047 | 11,02,327 | PUC |
| 2009-10 | 20091107 | CHINA P RP | 73043119 | COLD DRAWN SEAMLESS CARBON STEEL TUBES AS PER DIN 1629/84 ST 30AL SIZE : 30.00 | 50.00 | 44,136 | 22,06,822 | PUC |
| 2009-10 | 20091106 | CHINA P RP | 73049000 | CARBON STEEL SEAMLESS PIPE | 50.00 | 33,511 | 16,75,528 | PUC |
| 2009-10 | 20091123 | ITALY | 73049000 | SECONDARY SECOND CHOICE CARBON STEEL SEAMLESS / WELDED PIPES MIX LOT | 49.00 | 21,364 | 10,46,818 | PUC |
| 2009-10 | 20091117 | U ARAB EMTS | 73049000 | MS SECONDARY DEFECTIVE PIPES | 49.00 | 17,397 | 8,52,437 | PUC |
| 2009-10 | 20091119 | CHINA P RP | 73041190 | SEAMLESS CARBON STEEL PIPES AS PER ASTM A106 GR.B/API 5L GR.B 42X4.8X5800MM (CA | 49.00 | 38,390 | 18,81,102 | PUC |
| 2009-10 | 20091118 | CHINA P RP | 73043119 | SEAMLESS LINE PIPE API 5L GR B/ASTM A 106 GR B/A53 B AS PERNACE MR 0175/API 5L | 49.00 | 31,926 | 15,64,358 | PUC |
| 2009-10 | 20091113 | CHINA P RP | 73041190 | CARBON STEEL SEAMLESS HOT FINISHED PIPES 55MM OD X 4.5MM THK X 5.8MM LENGTH (DI | 48.00 | 32,784 | 15,73,638 | PUC |
| 2009-10 | 20091125 | CHINA P RP | 73049000 | CS SEAMLESS PIPES(SIZE:OD 114.3 X 6.02) | 47.71 | 29,673 | 14,15,771 | PUC |
| 2009-10 | 20091106 | CHINA P RP | 73043119 | SEAMLESS TUBES AS PER ASTM A106/API 5L GR.B 33.4MM X 3.60MMX 5.8M | 47.00 | 32,120 | 15,09,648 | PUC |
| 2009-10 | 20091103 | KUWAIT | 73049000 | SECONDARY CARBON STEEL PIPE SEAMLESS | 46.00 | 17,702 | 8,14,280 | PUC |
| 2009-10 | 20091105 | SAUDI ARAB | 73049000 | SECONDARY SECOND CARBON STEEL SEAMLESS/ WELDED PIPES MIXED THICKNESS MIXED LOT. | 46.00 | 14,537 | 6,68,693 | PUC |
| 2009-10 | 20091109 | U K | 73049000 | SECONDERY DEFECTIVE NON ALLOY STEEL BRIGHT BARS | 45.00 | 21,744 | 9,78,502 | PUC |
| 2009-10 | 20091112 | CHINA P RP | 73043119 | COLD DRAWN CARBON SEAMLESS STEEL TUBES ASME SA 210 GR. A1 38.1 OD X 3.66 WT X 1 | 44.55 | 68,300 | 30,42,717 | PUC |
| 2009-10 | 20091130 | CHINA P RP | 73045110 | BEARING QUALITY STEEL TUBE SAE-52100 AND SUJ-3, TMB6304OR , 52.6 X 5.55MM | 43.00 | 53,626 | 23,05,912 | PUC |
| 2009-10 | 20091126 | ITALY | 73043911 | COLD DRAWN SEAMLESS STEEL TUBES 108.00X9.00X3500.00 ST523 | 42.34 | 76,789 | 32,50,875 | PUC |
| 2009-10 | 20091124 | U S A | 73049000 | CARBON STEEL SEAMLESS PIPES STOCK LOT MIX SIZE | 42.00 | 20,835 | 8,75,065 | PUC |
| 2009-10 | 20091121 | U ARAB EMTS | 73049000 | SECONDARY CARBON STEEL PIPES | 42.00 | 19,625 | 8,24,258 | PUC |
| 2009-10 | 20091124 | U S A | 73049000 | SECONDARY SECOND CHOICE CARBON STEEL SEAMLESS / WELDED PIPES STOCK LOT | 42.00 | 16,928 | 7,10,991 | PUC |
| 2009-10 | 20091104 | CHINA P RP | 73041190 | SEAMLESS CARBON STEEL PIPES AS PER ASTM A106 GR.B/API 5L GR.B 56X9X5800MM | 42.00 | 39,705 | 16,67,609 | PUC |
| 2009-10 | 20091105 | CHINA P RP | 73041190 | CARBON STEEL SEAMLESS PIPES ASTM A106/API 5 L GR B PSL 1 88.9MM OD X 7.62 MM WT | 41.54 | 33,463 | 13,90,104 | PUC |
| 2009-10 | 20091104 | CHINA P RP | 73049000 | SEAMLESS PIPE (SIZE OD230*15MM) | 41.36 | 49,665 | 20,54,145 | PUC |
| 2009-10 | 20091118 | U S A | 73049000 | SECONDARY SECOND CHOICE CARBON STEEL SEAMLESS / WELDED PIPES STOCK LOT | 41.00 | 16,889 | 6,92,438 | PUC |
| 2009-10 | 20091112 | CHINA P RP | 73045120 | SEAMLESS STEEL PIPE ASTM A160 GRADE B 32 MM (O/D) X 18 MM (I/D)-4.2 MTR LENGTH | 41.00 | 33,110 | 13,57,510 | PUC |
| 2009-10 | 20091118 | GERMANY | 73043119 | SEAMLESS ALLOY-STEEL BOILER, SUPER HEATER AND EXCHANGE TUBE51.0X5.0 MM DIM-51 | 40.01 | 97,760 | 39,11,170 | PUC |

**Import Data from DGCIS [All Countries PUC]
Apr 2009 to Jun 2012**

| Year | Date | Country | ITC-HS | Item-Des | Quantity (MT) | Price (Rs./MT) | Value (Rs) | PUC/ NPUC |
|---------|----------|-------------|----------|---|---------------|----------------|-------------|--------------|
| 2009-10 | 20091113 | CHINA P RP | 73049000 | PRIME CARBON STEEL SEAMLESS PIPE ASTM A106 GR.B | 40.00 | 28,948 | 11,57,904 | PUC |
| 2009-10 | 20091106 | U S A | 73049000 | CARBON STEEL SEAMLESS PIPES STOCK LOT | 39.00 | 23,757 | 9,26,536 | PUC |
| 2009-10 | 20091120 | CHINA P RP | 73043919 | 73043931 PIPES(CARBON STEEL) | 39.00 | 41,191 | 16,06,430 | PUC |
| 2009-10 | 20091109 | U K | 73049000 | SECONDARY DEFECTIVE NON ALLOY STEEL BRIGHT BARS | 38.00 | 21,524 | 8,17,929 | PUC |
| 2009-10 | 20091125 | CHINA P RP | 73049000 | CS SEAMLESS PIPES (SIZE : OD 114.3 X 6.0) | 35.94 | 26,266 | 9,43,999 | PUC |
| 2009-10 | 20091127 | CHINA P RP | 73043129 | COLD DRAWN READY TO HONE PRECISION TUBE (200X219X3800MM) | 35.45 | 13,112 | 4,64,834 | PUC |
| 2009-10 | 20091106 | ITALY | 73049000 | SMLS CYLINDER TUBES COLD DRAWN E355+SR EN10305/1 H8 MM 170X15 | 35.45 | 1,80,177 | 63,86,733 | PUC |
| 2009-10 | 20091112 | UNSPECIFIED | 73042390 | 5 -OD, 19.5 PPF, S-135,IEU,RH,R-II,API-5D DRILL PIPE WITH TOOL JOINT DESIGNATIO | 35.21 | 3,34,493 | 1,17,77,161 | PUC |
| 2009-10 | 20091117 | CHINA P RP | 73065000 | STEEL PIPE B-36.10,ASTM A106 GR.B,PE,SEAMLESS,IBR,1.5INCH,XS (ITEM CODE PI2 | 34.09 | 1,02,706 | 35,01,394 | PUC |
| 2009-10 | 20091120 | CHINA P RP | 73043919 | 73043931 PIPES(CARBON STEEL) | 34.00 | 41,247 | 14,02,396 | PUC |
| 2009-10 | 20091102 | CHINA P RP | 73045110 | BEARING QUALITY STEEL TUBE - SAE 52100 - 38.6*4.0 | 33.91 | 56,760 | 19,24,561 | PUC |
| 2009-10 | 20091103 | CHINA P RP | 73045110 | STEEL TUBE DIA 4.76X0.60MM WITH COPPER COATED (CAPTIVE CONSUMPTION) | 33.87 | 61,068 | 20,68,192 | PUC |
| 2009-10 | 20091126 | CHINA P RP | 73049000 | COLD DRAWN SEAMLESS CARBON STEEL TUBES(33.38X3.38X5100-5800MM) | 30.00 | 47,282 | 14,18,448 | PUC |
| 2009-10 | 20091126 | CHINA P RP | 73043119 | CARBON STEEL SEAMLESS PIPES SAE 1040 | 29.00 | 31,297 | 9,07,615 | PUC |
| 2009-10 | 20091126 | CHINA P RP | 73043119 | CARBON STEEL SEAMLESS TUBES AS PER ASTM A106 GR.B/API 5L GR.B 88.9X5.49X5800MM | 28.00 | 32,664 | 9,14,602 | PUC |
| 2009-10 | 20091112 | CHINA P RP | 73049000 | PRIME CDS HOLLOW SEAMLESS TUBES 44.45X7.80 LENGTH-3150MM 16MN5 | 27.00 | 46,035 | 12,42,956 | PUC |
| 2009-10 | 20091126 | CHINA P RP | 73049000 | COLD DRAWN SEAMLESS CARBON STEEL TUBES(42.70X4.70X4100MM) | 27.00 | 42,183 | 11,38,940 | PUC |
| 2009-10 | 20091125 | CHINA P RP | 73049000 | CS SEAMLESS PIPES (SIZE:OD 114.3 X 6.02) | 26.34 | 21,923 | 5,77,466 | PUC |
| 2009-10 | 20091125 | FRANCE | 73049000 | HOT FINISHED SEAMLESS STEEL TUBES ASME SA 210, OD44.5 MM X WT 8 MM X FL 9900 MM | 26.00 | 95,636 | 24,86,534 | PUC |
| 2009-10 | 20091125 | U K | 73049000 | SECONDARY SURPLUS CARBON STEEL PIPES. | 26.00 | 22,559 | 5,86,530 | PUC |
| 2009-10 | 20091123 | U ARAB EMTS | 73049000 | SECONDARY/DEFECTIVE CARBON STEEL SEAMLESS WELDED PIPE | 26.00 | 22,249 | 5,78,477 | PUC |
| 2009-10 | 20091117 | U K | 73049000 | SECONDARY SURPLUS CARBON STEEL PIPES | 26.00 | 21,764 | 5,65,854 | PUC |
| 2009-10 | 20091125 | U K | 73049000 | SECONDARY SURPLUS CARBON STEEL PIPES. | 26.00 | 21,764 | 5,65,854 | PUC |
| 2009-10 | 20091120 | SINGAPORE | 73049000 | SECONDARY SECOND CHOICE CARBON STEEL SEAMLESS / WELDED PIPES STOCK LOT | 26.00 | 17,122 | 4,45,168 | PUC |
| 2009-10 | 20091123 | CHINA P RP | 73049000 | CARBON STEEL SEAMLESS PIPES API 5L GRADE B | 26.00 | 34,662 | 9,01,207 | PUC |
| 2009-10 | 20091130 | CHINA P RP | 73041190 | SEAMLESS STEEL PIPE 114 MM X 7 MM, 126 MM X 7.5 MM | 25.24 | 52,030 | 13,13,341 | PUC |
| 2009-10 | 20091103 | FRANCE | 73044900 | TUBE DIA 31.75X0.889 THK (FOR MFG. OF A/C FUEL PIPES) | 25.00 | 99,376 | 24,84,405 | PUC |
| 2009-10 | 20091105 | CHINA P RP | 73049000 | HOT FINISHED C.S SEAMLESS TUBES[273MM X 25.4MM X 9550MM X 4] | 25.00 | 52,209 | 13,05,227 | PUC |
| 2009-10 | 20091109 | CHINA P RP | 73043919 | CARBON STEEL SEAMLESS TUBES TO DIN 17175 ST 35.8,QUANTITY 26.121 TON | 25.00 | 42,046 | 10,51,157 | PUC |
| 2009-10 | 20091125 | CHINA P RP | 73049000 | SEAMLESS CARBON STEEL PIPES, ASTM A 106 GRB/ ASTM A 53B/ API 5LB | 25.00 | 29,175 | 7,29,366 | PUC |
| 2009-10 | 20091105 | CROATIA | 73042990 | SEAMLESS CASING 9 5/8 36K 55 BTC SMLS R3 | 24.48 | 43,794 | 10,72,104 | PUC |
| 2009-10 | 20091128 | ITALY | 73041190 | SEAMLESS COLD DRAWN TUBES FOR HYDRAULIC CYLINDER ACCORDING 116.00X****X10.50MM. | 24.30 | 1,04,738 | 25,44,618 | PUC |
| 2009-10 | 20091117 | JAPAN | 73049000 | SEAMLESS CARBON STEEL PIPES | 24.00 | 38,955 | 9,34,922 | PUC |
| 2009-10 | 20091123 | U ARAB EMTS | 73041990 | CARBON STEEL PIPE STOCK LOT | 24.00 | 24,143 | 5,79,425 | PUC |
| 2009-10 | 20091112 | CHINA P RP | 73042990 | SEAMLESS STEEL PIPE API 5L GRADE B 219.1MMX15.09MM | 24.00 | 46,783 | 11,22,801 | PUC |
| 2009-10 | 20091111 | CHINA P RP | 73049000 | CARBON STEEL SEAMLESS PIPES AS PER ASTM A53-06/ASTM A 106-06/API SPEC 5L-2007 A | 24.00 | 35,930 | 8,62,310 | PUC |
| 2009-10 | 20091106 | CHINA P RP | 73043119 | SEAMLESS TUBES AS PER ASTM A106/API 5L GR.B 33.4MM X 3.60MMX 5.8M | 24.00 | 31,731 | 7,61,554 | PUC |
| 2009-10 | 20091105 | CHINA P RP | 73049000 | SEAMLESS CARBON STEEL PIPE ASTM A106 GR.B | 24.00 | 28,948 | 6,94,742 | PUC |
| 2009-10 | 20091120 | CHINA P RP | 73042200 | 5 HEAVY WEIGHT DRILL PIPE-RANGE II,5 OD, 3 ID, 30 LONG,6-1/2 OD TOOL JOINT | 23.29 | 2,68,128 | 62,43,600 | PUC |
| 2009-10 | 20091123 | KUWAIT | 73049000 | SECONDARY/DEFECTIVE CARBON STEEL SEAMLESS PIPES | 23.00 | 22,010 | 5,06,222 | PUC |
| 2009-10 | 20091112 | U K | 73049000 | SECONDARY SURPLUS CARBON STEEL PIPES | 23.00 | 20,421 | 4,69,688 | PUC |

**Import Data from DGCIS [All Countries PUC]
Apr 2009 to Jun 2012**

| Year | Date | Country | ITC-HS | Item-Des | Quantity (MT) | Price (Rs./MT) | Value (Rs) | PUC/ NPUC |
|---------|----------|------------|----------|--|---------------|----------------|------------|--------------|
| 2009-10 | 20091116 | BELGIUM | 73049000 | SECONDARY SECOND CHOICE CARBON STEEL SEAMLESS / WELDED PIPES | 23.00 | 16,706 | 3,84,242 | PUC |
| 2009-10 | 20091126 | CHINA P RP | 73041990 | CARBON STEEL SEAMLESS TUBE ASTM A-106, GRADE B, 165MM ODX5.40MM THICK | 23.00 | 47,323 | 10,88,434 | PUC |
| 2009-10 | 20091117 | CHINA P RP | 73045110 | COLD DRAWN CARBON STEEL SEAMLESS TUBES 27 X 3 X 10000 -11800 | 23.00 | 46,944 | 10,79,719 | PUC |
| 2009-10 | 20091105 | CHINA P RP | 73041190 | SEAMLESS TUBE 42.2X3.56MM X 3900 | 23.00 | 41,817 | 9,61,790 | PUC |
| 2009-10 | 20091103 | CHINA P RP | 73041190 | COLD BROWN SEAMLESS TUBES 40.0X5.0X5450 MM (CARBON MILD STEEL) | 22.76 | 61,490 | 13,99,512 | PUC |
| 2009-10 | 20091125 | CHINA P RP | 73049000 | CS SEAMLESS PIPES(SIZE:OD 114.3 X 6.02) (LIST 17, SR. NO. 32) | 22.43 | 15,845 | 3,55,453 | PUC |
| 2009-10 | 20091117 | JAPAN | 73049000 | SEAMLESS ALLOY STEEL TUBES JIS G3441 SCM415TK 34.00MM OD X 26.00MM ID X 4700-50 | 22.09 | 1,21,179 | 26,76,846 | PUC |
| 2009-10 | 20091111 | KUWAIT | 73049000 | SECONDARY CARBON STEEL PIPES SEAMLESS | 22.00 | 17,867 | 3,93,070 | PUC |
| 2009-10 | 20091113 | CHINA P RP | 73042990 | SEAMLESS STEEL PIPE API 5L GRADE B 219.1MM X 10.31MM | 22.00 | 65,928 | 14,50,419 | PUC |
| 2009-10 | 20091103 | CHINA P RP | 73041910 | SEAMLESS PRECISION STEEL TUBE - 50 X 6 X L (=940MM X 2/3/4/5/6) | 22.00 | 46,077 | 10,13,688 | PUC |
| 2009-10 | 20091123 | ARGENTINA | 73043911 | SEAMLESS STEEL PIPES (JIS G3429 DS 202)SIZE : O.D.267.00 MM X WT.6.00MM | 21.00 | 54,788 | 11,50,543 | PUC |
| 2009-10 | 20091123 | CHINA P RP | 73043119 | SPHERODIZED ANNEALED SAE52100 SEAMLESS COLD DRAWN TUBES OD WALL THICKNESS 38.97 | 21.00 | 57,865 | 12,15,175 | PUC |
| 2009-10 | 20091120 | CHINA P RP | 73041990 | 42 MM SEAMLESS CARBON STEEL TUBES,GRADE ASTM A-105B (QUATER DIAMETER)X3.0 MM (WA | 21.00 | 40,853 | 8,57,904 | PUC |
| 2009-10 | 20091113 | CHINA P RP | 73049000 | SEAMLESS CARBON STEEL TUBES | 21.00 | 35,380 | 7,42,988 | PUC |
| 2009-10 | 20091118 | CHINA P RP | 73043119 | SEAMLESS CARBON STEEL PIPE AS PER ASTM A106 GR.B/API 5L GR-B | 21.00 | 32,698 | 6,86,659 | PUC |
| 2009-10 | 20091125 | CHINA P RP | 73049000 | COLD DRAWN SEAMLESS PIN STEEL TUBE SCM415H OD 17.35MM X ID 12.0MM | 20.95 | 1,18,121 | 24,74,404 | PUC |
| 2009-10 | 20091117 | CHINA P RP | 73049000 | STEEL TUBES 19.7X14.5 2.60MM | 20.30 | 1,06,425 | 21,60,853 | PUC |
| 2009-10 | 20091119 | U S A | 73049000 | SECONDARY/DEFECTIVE CARBON STEEL SEAMLESS PIPE | 20.00 | 22,210 | 4,44,195 | PUC |
| 2009-10 | 20091116 | U S A | 73049000 | CARBON STEEL SEAMLESS PIPES STOCK LOT MIX SIZE | 20.00 | 20,835 | 4,16,698 | PUC |
| 2009-10 | 20091112 | CHINA P RP | 73043939 | SAE-52100 ANNEALED BEARING TUBE 43.4X6.4MM | 20.00 | 55,964 | 11,19,277 | PUC |
| 2009-10 | 20091127 | CHINA P RP | 73049000 | SEAMLESS CARBON STEEL PIPE 273MMX9.5MMX8.6M | 20.00 | 38,147 | 7,62,947 | PUC |
| 2009-10 | 20091125 | CHINA P RP | 73049000 | CARBON STEEL SEAMLESS PIPES ASTM A106 GRADE B. (SAME GB/T 8163) | 20.00 | 37,405 | 7,48,106 | PUC |
| 2009-10 | 20091113 | CHINA P RP | 73049000 | C.S SEAMLESS PIPE | 19.62 | 44,379 | 8,70,710 | PUC |
| 2009-10 | 20091126 | U S A | 73049000 | OILWELL EQUIPMENT : DRILL PIPE- 5 HEAVY WEIGHT WITH 4 ? IF PIN S/N NUMBER:1DA- | 19.00 | 18,696 | 3,55,223 | PUC |
| 2009-10 | 20091106 | U S A | 73049000 | SECONDARY SECOND CHOICE CARBON STEEL SEAMLESS / WELDED PIPES STOCK LOT | 19.00 | 17,027 | 3,23,509 | PUC |
| 2009-10 | 20091124 | CHINA P RP | 73045920 | SEAMLESS STEEL GAS CYLINDERS TUBES 267MM X 6.5MM | 19.00 | 48,869 | 9,28,516 | PUC |
| 2009-10 | 20091123 | CHINA P RP | 73043119 | SEAMLESS CARBON STEEL PIPE AS PER BS:3059 PART II GR.360 31.85MM X 3.2MM X 5-5. | 19.00 | 43,595 | 8,28,310 | PUC |
| 2009-10 | 20091118 | CHINA P RP | 73043119 | SEAMLESS CARBON STEEL PIPE AS PER ASTM A106 GR.B/API 5L GR.B | 19.00 | 31,870 | 6,05,532 | PUC |
| 2009-10 | 20091105 | TAIWAN | 73042990 | HONED TUBE STKM 13C DIA 150MM X 175MM | 18.49 | 36,392 | 6,72,915 | PUC |
| 2009-10 | 20091113 | CHINA P RP | 73049000 | SEAMLESS ALLOY STEEL PIPES (SIZE 219.1 X 40MM-P22) | 18.20 | 89,377 | 16,27,001 | PUC |
| 2009-10 | 20091127 | GERMANY | 73049000 | SEAMLESS PIPES DIN 2448 . ST 35.8L.P235 GH 168.3 X 8.00 5,5-6 M | 18.09 | 1,13,374 | 20,51,272 | PUC |
| 2009-10 | 20091123 | CHINA P RP | 73049000 | PART OF REFRIGERATOR -SINGLE WALL STEEL TUBE(ZINC COATED) | 18.00 | 65,372 | 11,76,696 | PUC |
| 2009-10 | 20091126 | CHINA P RP | 73043119 | CARBON STEEL SEAMLESS TUBES AS PER ASTM A106 GR.B/API 5L GR.B 42.2X4.85X5800MM | 18.00 | 34,216 | 6,15,889 | PUC |
| 2009-10 | 20091119 | CHINA P RP | 73043119 | SEAMLESS CARBON STEEL PIPE AS PER ASTM A106/API 5L GR.A & B, 44.5MM X 6.35MM X | 18.00 | 33,417 | 6,01,511 | PUC |
| 2009-10 | 20091117 | CHINA P RP | 73045110 | BEARING QUALITY STEEL TUBE SAE-52100 SIZE:80.30 X 67.27MM | 17.26 | 46,512 | 8,02,989 | PUC |
| 2009-10 | 20091120 | CHINA P RP | 73049000 | ALLOY STEEL SEAMLESS TUBES GRADE 20CR - 30.7X19.6 | 17.00 | 64,089 | 10,89,510 | PUC |
| 2009-10 | 20091103 | KUWAIT | 73049000 | SECONDARY CARBON STEEL PIPES SEAMLESS | 16.00 | 18,395 | 2,94,316 | PUC |
| 2009-10 | 20091124 | CHINA P RP | 73043139 | SEAMLESS STEEL TUBE (OD 244.5 MM X ID 190 MM) | 16.00 | 87,744 | 14,03,908 | PUC |
| 2009-10 | 20091117 | CHINA P RP | 73049000 | CS SEAMLESS PIPE (SIZE : OD 60.3X3.91MM) | 15.02 | 58,458 | 8,78,247 | PUC |
| 2009-10 | 20091109 | U S A | 73049000 | DEFECTIVE/SECONDARY NON ALLOY ROUND BARS | 13.00 | 19,850 | 2,58,054 | PUC |
| 2009-10 | 20091104 | CHINA P RP | 73043939 | CARBON STEEL SEAMLESS PIPE CONFORMING TO SA-106 GRADE B (SIZE: OD 10 X WT 34 | 13.00 | 64,414 | 8,37,382 | PUC |

**Import Data from DGCIS [All Countries PUC]
Apr 2009 to Jun 2012**

| Year | Date | Country | ITC-HS | Item-Des | Quantity (MT) | Price (Rs./MT) | Value (Rs) | PUC/ NPUC |
|---------|----------|-------------|----------|---|---------------|----------------|------------|--------------|
| 2009-10 | 20091123 | CHINA P RP | 73045110 | COLD DRAWN SEAMLESS CARBON STEEL TUBES GRADE- 106 GR B (SIZE: 88.9 X 6.02 X 316 | 13.00 | 43,233 | 5,62,031 | PUC |
| 2009-10 | 20091126 | CHINA P RP | 73043119 | CARBON STEEL SEAMLESS PIPES SAE 1040 | 13.00 | 31,623 | 4,11,094 | PUC |
| 2009-10 | 20091103 | JAPAN | 73049000 | SEAMLESS ALLOY STEEL TUBES JIS G3441 SCM415TK 30.70MM OD X 24.90MM ID X 5M | 12.54 | 1,29,161 | 16,19,157 | PUC |
| 2009-10 | 20091125 | CHINA P RP | 73043911 | CARBON STEEL SEAMLESS MOTHER PIPE (HOT FINISHED)27*3.4MMB11.8M (STC 4366 METERS | 12.00 | 52,177 | 6,26,121 | PUC |
| 2009-10 | 20091130 | CHINA P RP | 73041990 | SUPPLY OF CS SEAMLESS PIPES-300019039- OD 114.3X6.02 | 11.72 | 11,663 | 1,36,726 | PUC |
| 2009-10 | 20091121 | CHINA P RP | 73043119 | SINGLE WALL STEEL TUBE SWST ZN COATING (4.0MM DIA X 0.5T) (250000 METER) | 11.25 | 84,258 | 9,47,899 | PUC |
| 2009-10 | 20091106 | CHINA P RP | 73043129 | SEAMLESS STEEL TUBE (OD 120 MM X ID 103 MM X 1490 MM) | 11.00 | 97,742 | 10,75,165 | PUC |
| 2009-10 | 20091103 | CHINA P RP | 73041110 | SEAMLESS STEEL PIPE MATERIAL:S45C LENGTH:3500MM-5800MM OD36.2MMXID19.4MM | 11.00 | 66,401 | 7,30,416 | PUC |
| 2009-10 | 20091104 | UNSPECIFIED | 73043939 | ALLOY STEEL SEAMLESS PIPE /TUBE (COLD FINISH OR OTHERWISH)OD3.9 ID2.99 2 10FT | 10.78 | 1,66,061 | 17,90,133 | PUC |
| 2009-10 | 20091117 | CHINA P RP | 73049000 | CARBON SEAMLESS STEEL PIPES CLASS II GRADE: ASTM A53/A106 GR.B SIZE: 33.7X3.2 | 10.52 | 1,13,821 | 11,97,900 | PUC |
| 2009-10 | 20091125 | CHINA P RP | 73049000 | CS SEAMLESS PIPES (SIZE : OD 88.9 X 5.48) | 10.50 | 24,096 | 2,53,000 | PUC |
| 2009-10 | 20091109 | CHINA P RP | 73041910 | PIPES , CS SEAMLESS PIPES B36.10M, SCRD NPT (M) A 106 GR. BSCH 80 , SIZE 2INCH | 10.19 | 1,70,550 | 17,37,522 | PUC |
| 2009-10 | 20100223 | ITALY | 73043129 | STEEL TUBE | 10.00 | 75,720 | 7,57,196 | PUC |
| 2009-10 | 20091130 | U K | 73049000 | OILWELL EQUIPMENT : 3/4 SCH 80S SEAMLESS PIPE A790 UNS 31803 (TUBACEX TUBOS I | 10.00 | 67,968 | 6,79,675 | PUC |
| 2009-10 | 20091127 | CHINA P RP | 73049000 | COLD DRAWN SEAMLESS CARBON STEEL TUBES(60.00X5.70X5100-5800MM) | 10.00 | 47,813 | 4,78,131 | PUC |
| 2009-10 | 20091125 | CHINA P RP | 73044900 | STEEL PROP(INNER PIPE)(48X2)MM,OUT PIPE(60X2)MM,LENGTH(2.25-3.9)M,BASEPLATE(120 | 10.00 | 29,198 | 2,91,979 | PUC |
| 2009-10 | 20091127 | CHINA P RP | 73043119 | COLD DRAWN READY TO HONE PRECISION TUBE (90X100MM) | 9.49 | 50,689 | 4,81,130 | PUC |
| 2009-10 | 20091112 | CHINA P RP | 73045110 | COLD ROLLED SEAMLESS CARBON STEEL TUBES ASTM A 519 GRADE SAE 4130 (SIZE: 69.90X | 9.00 | 59,857 | 5,38,717 | PUC |
| 2009-10 | 20091103 | JAPAN | 73049000 | SEAMLESS ALLOY STEEL TUBES JIS G3441 SCM415TK 30.70MM OD X 24.90MM ID X 5M | 8.20 | 1,31,492 | 10,78,106 | PUC |
| 2009-10 | 20091124 | CHINA P RP | 73045920 | SEAMLESS STEEL GAS CYLINDERS TUBES 267MM X 6.5MM | 8.00 | 58,277 | 4,66,213 | PUC |
| 2009-10 | 20091125 | CHINA P RP | 73044900 | CARBON SEAMLSS STEEL PIPES (CLASS II) ASTM A53/A 106 GR.B SMLS SIZE : 33.7X3.2 | 6.27 | 54,186 | 3,39,743 | PUC |
| 2009-10 | 20091106 | BELGIUM | 73041190 | HOLLOW SEAMLESS BARS 20MV6Q2 244.5 X 20 - DEFENCE CERTIFICATE NO..WM/8914/01 DT | 6.10 | 1,39,847 | 8,53,064 | PUC |
| 2009-10 | 20091109 | U S A | 73049000 | DEFECTIVE/SECONDARY NON ALLOY ROUND BARS | 6.00 | 24,611 | 1,47,666 | PUC |
| 2009-10 | 20091124 | CHINA P RP | 73043129 | SEAMLESS STEEL TUBE (OD 120 MM X ID 103 MM X 1490 MM) | 6.00 | 1,09,503 | 6,57,019 | PUC |
| 2009-10 | 20091104 | CHINA P RP | 73043939 | CARBON STEEL SEAMLESS TUBES ASTM A519 1035-AISI 1035 SIZE OD 38.70-60 95MM X ID | 6.00 | 44,980 | 2,69,880 | PUC |
| 2009-10 | 20091121 | U S A | 73041190 | DIRLL ROD 3.5 X180 | 5.20 | 1,25,189 | 6,50,982 | PUC |
| 2009-10 | 20091126 | JAPAN | 73049000 | COLD DRAWN SEAMLESS STEEL TUBE (FOR PISTON PIN) GRADE SCM-415H (JIS G 4052) (O | 5.20 | 2,89,992 | 15,06,798 | PUC |
| 2009-10 | 20091106 | U ARAB EMTS | 73049000 | SECONDARY SECOND CHOICE CARBON STEEL SEAMLESS PIPE DEFECTIVE STOCK MIX LOT | 5.00 | 20,329 | 1,01,643 | PUC |
| 2009-10 | 20091125 | CHINA P RP | 73044900 | STEEL PROP(INNER PIPE)(48X2)MM,OUT PIPE(60X2)MM,LENGTH(2.25-3.9)M,BASEPLATE(120 | 5.00 | 30,599 | 1,52,997 | PUC |
| 2009-10 | 20091113 | JAPAN | 73049000 | COLD DRAWN SEAMLESS STEEL TUBE (FOR PISTON PIN) GRADE SCM-415H (JIS) (O.D.1 | 4.79 | 2,60,580 | 12,48,960 | PUC |
| 2009-10 | 20091104 | JAPAN | 73049000 | COLD DRAWN SEAMLESS STEEL TUBE ITEM NO. FRGPP925 O.D. 13.40MM X I.D. 9.00MM GR | 4.01 | 2,94,185 | 11,78,798 | PUC |
| 2009-10 | 20091120 | CHINA P RP | 73041190 | SEAMLESS ALLOY STEEL PIPES GR P-11 AND GR P-22 SIZE (MM) 219.1X40MM-P22 | 4.00 | 1,14,501 | 4,58,004 | PUC |
| 2009-10 | 20091118 | CHINA P RP | 73043119 | SEAMLESS CARBON STEEL PIPE AS PER ASTM A106 GR.B/API 5L GR.B | 2.75 | 31,061 | 85,262 | PUC |
| 2009-10 | 20091128 | GERMANY | 73049000 | HOLLOW SECTIONS (120X80X12.5MM) (COLD DRAWN SEAMLES TUBES) | 2.74 | 89,655 | 2,45,654 | PUC |
| 2009-10 | 20091125 | TAIWAN | 73044900 | HONED TUBE ST 52.3 -- 80MM * 95MM * 1850MM. (20 PCS) | 2.06 | 1,42,473 | 2,92,925 | PUC |
| 2009-10 | 20091123 | BELGIUM | 73049000 | SEAMLESS STEEL TUBE 244,5 X 45 MM | 2.00 | 1,40,615 | 2,81,229 | PUC |
| 2009-10 | 20091105 | SAUDI ARAB | 73049000 | SECONDARY SECOND CARBON STEEL SEAMLESS/ WELDED PIPES MIXED THICKNESS MIXED LOT. | 2.00 | 18,655 | 37,309 | PUC |
| 2009-10 | 20091105 | SAUDI ARAB | 73049000 | SECONDARY SECOND CARBON STEEL SEAMLESS/ WELDED PIPES MIXED THICKNESS MIXED LOT. | 2.00 | 15,067 | 30,134 | PUC |
| 2009-10 | 20091104 | JAPAN | 73043129 | HOT FINISHED SEAMLESS ALLOY STEEL PIPES:SCOPE PART:PP11709X(168.3X14.27X9000)- | 1.72 | 2,30,398 | 3,95,594 | PUC |
| 2009-10 | 20091112 | CHINA P RP | 73043911 | SEAMLESS ALLOY STEEL PIPES AND TUBES (T91) SIZE: 63.5 X 8 MM | 1.46 | 2,99,101 | 4,35,734 | PUC |
| 2009-10 | 20091124 | GERMANY | 73042390 | CASING 114X10MM,LENGTH 0,7M (LIST-12 CONDITION-29) | 1.37 | 7,07,438 | 9,67,068 | PUC |

Import Data from DGCIS [All Countries PUC]

Apr 2009 to Jun 2012

| Year | Date | Country | ITC-HS | Item-Des | Quantity (MT) | Price (Rs./MT) | Value (Rs) | PUC/ NPUC |
|---------|----------|------------|----------|---|---------------|----------------|--------------|--------------|
| 2009-10 | 20091110 | CHINA P RP | 73042990 | ROUND KELLY, SIZE: OD 4-1/8 ID 2 , LENGTH 8.7M, (2 PIECES) | 1.35 | 1,43,157 | 1,93,835 | PUC |
| 2009-10 | 20091126 | CHINA P RP | 73041910 | STEEL PIPE (GOODS TO RE-EXPORTED UNDER SEC-69 TO THIRD COUNTRY) | 1.19 | 30,955 | 36,837 | PUC |
| 2009-10 | 20091103 | KUWAIT | 73049000 | SECONDARY CARBON STEEL SEAMLESS/WELDED PIPES | 1.00 | 47,115 | 47,115 | PUC |
| 2009-10 | 20091116 | U S A | 73049000 | SECONDARY SECOND CHOICE CARBON STEEL SEAMLESS / WELDED PIPES STOCK LOT | 1.00 | 30,926 | 30,926 | PUC |
| 2009-10 | 20091109 | U K | 73049000 | SECONDARY SECOND CHOICE CARBON STEEL SEAMLESS / WELDED PIPES STOCK LOT | 1.00 | 27,512 | 27,512 | PUC |
| 2009-10 | 20091116 | U S A | 73049000 | SECONDARY SECOND CHOICE CARBON STEEL SEAMLESS / WELDED PIPES STOCK LOT | 1.00 | 25,558 | 25,558 | PUC |
| 2009-10 | 20091116 | U S A | 73049000 | CARBON STEEL SEAMLESS PIPES STOCK LOT MIX SIZE | 1.00 | 20,835 | 20,835 | PUC |
| 2009-10 | 20091104 | U S A | 73049000 | SECONDARY SECOND CHOICE CARBON STEEL SEAMLESS / WELDED PIPES STOCK LOT | 1.00 | 19,391 | 19,391 | PUC |
| 2009-10 | 20091116 | U K | 73049000 | SECONDARY SECOND CHOICE CARBON STEEL SEAMLESS / WELDED PIPES STOCK LOT | 1.00 | 16,573 | 16,573 | PUC |
| 2009-10 | 20091118 | U S A | 73049000 | SECONDARY SECOND CHOICE CARBON STEEL SEAMLESS / WELDED PIPES STOCK LOT | 1.00 | 16,573 | 16,573 | PUC |
| 2009-10 | 20091104 | U S A | 73042390 | 2-7/8 6.16# L-80 TYPE 1 SMLS PE X 83 EACH (PART NO. 007 452) (SEAMLESS CASING | 0.70 | 2,86,501 | 2,00,551 | PUC |
| 2009-10 | 20091130 | CHINA P RP | 73041190 | TAPER PIPES 150-125 MM X 1600 MM (SPARE PARTS FOR CONCRETEPUMP)(MADE OF IRON) | 0.50 | 18,250 | 9,125 | PUC |
| 2009-10 | 20091106 | U S A | 73049000 | SECONDARY SECOND CHOICE CARBON STEEL SEAMLESS / WELDED PIPES STOCK LOT | 0.40 | 20,718 | 8,287 | PUC |
| 2009-10 | 20100223 | ITALY | 73043119 | STEEL TUBE | 0.30 | 1,16,890 | 35,067 | PUC |
| 2009-10 | 20091103 | BELGIUM | 73049000 | CARBON STEEL SECOND CHOICE SEAMLESS STEEL PIPES | 0.20 | 90,255 | 18,051 | PUC |
| 2009-10 | 20091113 | CHINA P RP | 73049000 | SEAMLESS CARBON STEEL TUBES | 0.12 | 35,382 | 4,352 | PUC |
| 2009-10 | 20091124 | U S A | 73049000 | CARBON STEEL SEAMLESS PIPES STOCK LOT MIX SIZE | 0.10 | 39,790 | 3,979 | PUC |
| 2009-10 | 20091104 | U S A | 73049000 | SECONDARY DEFECTIVE CARBON STEEL SEAMLESS PIPE | 0.10 | 27,030 | 2,703 | PUC |
| 2009-10 | 20091123 | ITALY | 73049000 | SECONDARY SECOND CHOICE CARBON STEEL SEAMLESS / WELDED PIPES MIX LOT | 0.10 | 25,330 | 2,533 | PUC |
| 2009-10 | 20091123 | ITALY | 73049000 | SECONDARY SECOND CHOICE CARBON STEEL SEAMLESS / WELDED PIPES, MIX LOT | 0.10 | 25,330 | 2,533 | PUC |
| 2009-10 | 20091124 | U S A | 73049000 | CARBON STEEL SEAMLESS PIPES STOCK LOT MIX SIZE | 0.10 | 22,950 | 2,295 | PUC |
| 2009-10 | 20091116 | U S A | 73049000 | CARBON STEEL SEAMLESS PIPES STOCK LOT MIX SIZE | 0.10 | 21,550 | 2,155 | PUC |
| 2009-10 | 20091126 | CHINA P RP | 73042390 | DRILL PIPE SHORT 5 IEU,RH,S-135,19.5 PPF T/J OD 6-5/8 ,ID 2-3/4 NC-50 3MR | 0.10 | 42,84,070 | 4,28,407 | PUC |
| 2009-10 | 20091106 | CHINA P RP | 73049000 | CARBON STEEL SEAMLESS PIPES AS PER API 5L/A53/ASTM A106 GR.B.PIPES | 0.10 | 28,850 | 2,885 | PUC |
| 2009-10 | 20091118 | ITALY | 73049000 | RONDELLA INTERMEDIA 77*26,5*13,9 ZINCATA STEEL PIPE(PARTS FOR SHOCKER) NO COMME | 0.08 | 41,844 | 3,222 | PUC |
| 2009-10 | 20091106 | U S A | 73049000 | CARBON STEEL SEAMLESS PIPES STOCK LOT | 0.06 | 19,700 | 1,182 | PUC |
| 2009-10 | 20091103 | U S A | 73069090 | CARBON STEEL SEAMLESS PIPE SECOND CHOICE | 0.05 | 27,220 | 1,361 | PUC |
| 2009-10 | 20091123 | U K | 73049000 | SECONDARY CARBON STEEL SEAMLESS / WELDED PIPES | 0.04 | 20,925 | 837 | PUC |
| 2009-10 | 20091124 | U S A | 73049000 | SECONDARY SECOND CHOICE CARBON STEEL SEAMLESS / WELDED PIPES STOCK LOT | 0.02 | 34,450 | 689 | PUC |
| 2009-10 | 20091120 | SINGAPORE | 73049000 | SECONDARY SECOND CHOICE CARBON STEEL SEAMLESS / WELDED PIPES STOCK LOT | 0.01 | 82,900 | 829 | PUC |
| 2009-10 | 20091116 | BELGIUM | 73049000 | SECONDARY SECOND CHOICE CARBON STEEL SEAMLESS / WELDED PIPES | 0.01 | 82,800 | 828 | PUC |
| 2009-10 | 20091112 | GERMANY | 73049000 | SECONDARY DEFECTIVE CARBON STEEL SEAMLESS PIPES | 0.01 | 49,400 | 494 | PUC |
| 2009-10 | 20091201 | CHINA P RP | 73043911 | SF TUBE TO SPEC SA 210 (SPIRAL FINNED TUBES - CARBON STEEL)OD38.1X3.25X22000-SA | 2,003.00 | 62,548 | 12,52,82,688 | PUC |
| 2009-10 | 20091231 | ROMANIA | 73049000 | SEAMLESS CARBON STEEL PIPE(STOCK SURPLUS) GRADE : API5L,A106 GR.B,A53 GR.B ETC | 1,100.00 | 28,095 | 3,09,04,004 | PUC |
| 2009-10 | 20091201 | ROMANIA | 73041910 | SEAMLESS CARBON STEEL LINE PIPES (STOCK SURPLUS) | 900.00 | 25,082 | 2,25,73,500 | PUC |
| 2009-10 | 20091201 | CHINA P RP | 73043911 | CARBON STEEL SEAMLESS HOLLOW TO SPEC SA 192(21.3*3.9*6-12M) | 668.00 | 42,443 | 2,83,51,717 | PUC |
| 2009-10 | 20091207 | CHINA P RP | 73043911 | SEAMLESS STEEL PIPES/TUBES (GRADE: 37MN) SIZE: 232 X 5.4 X 10675MM | 537.00 | 35,807 | 1,92,28,594 | PUC |
| 2009-10 | 20091211 | FRANCE | 73049000 | HOT FINISHED SEAMLESS STEEL TUBES ASME SA 210 GR.C OD44.5MM X WT8MM X L7225MM T | 500.00 | 93,815 | 4,69,07,312 | PUC |
| 2009-10 | 20091229 | GERMANY | 73043911 | HOT FINISHED SEAMLESS LINE PIPE(TOP SIDE PIPES,LOOSE) SIZE :OD 273.10 X WT 22. | 443.00 | 75,064 | 3,32,53,142 | PUC |
| 2009-10 | 20091202 | CHINA P RP | 73042390 | PLAIN END SEAMLESS PIPES 4 OD [91.4743709 MTS=4154.24 METERS=318 PCS] | 403.70 | 44,915 | 1,81,32,214 | PUC |
| 2009-10 | 20091226 | CHINA P RP | 73049000 | SEAMLESS STEEL PIPES (SA106 GR.B) (OD24 NB X SCH STD X 5000-7000MM LENGTH) | 375.00 | 38,892 | 1,45,84,460 | PUC |

**Import Data from DGCIS [All Countries PUC]
Apr 2009 to Jun 2012**

| Year | Date | Country | ITC-HS | Item-Des | Quantity (MT) | Price (Rs./MT) | Value (Rs) | PUC/ NPUC |
|---------|----------|------------|----------|--|---------------|----------------|-------------|--------------|
| 2009-10 | 20091223 | CHINA P RP | 73049000 | SEAMLESS ALLOY STEEL PIPES (SIZE OD 60.3 X 11.07-P22) | 363.33 | 26,080 | 94,75,718 | PUC |
| 2009-10 | 20091229 | GERMANY | 73041990 | HOT FINISHED SEAMLES LINE PIPES (RISER PIPES, LOOSE) OD 273.10 X WT 22.20 MM RL | 343.67 | 1,01,954 | 3,50,38,242 | PUC |
| 2009-10 | 20091215 | ITALY | 73043939 | SEAMLESS STEEL PIPES (34CRM04) SIZE O.D.267.00MMXWT6.00MM (ALLOY STEEL) | 329.00 | 64,292 | 2,11,51,946 | PUC |
| 2009-10 | 20091211 | CHINA P RP | 73043911 | SEAMLESS STEEL PIPES/TUBES (GRADE : 37MN) SIZE: 232 X 5.4 X 10675 MM | 314.00 | 35,795 | 1,12,39,474 | PUC |
| 2009-10 | 20091224 | GERMANY | 73043119 | SEAMLESS TUBE HOLLOWS GRADE ST 37.4 SIZE 30,000 X 2,500 MM (RL 10000- 12000 MM) | 303.92 | 43,244 | 1,31,42,424 | PUC |
| 2009-10 | 20091230 | GERMANY | 73049000 | SECONDARY DEFECTIVE CARBON STEEL SEAMLESS PIPES | 301.00 | 24,677 | 74,27,923 | PUC |
| 2009-10 | 20091215 | CHINA P RP | 73043911 | SEAMLESS STEEL PIPES/TUBES (GRADE: 37MN) SIZE: 232 X 5.4 X 6100 MM (CARBON ST | 299.00 | 35,933 | 1,07,43,932 | PUC |
| 2009-10 | 20091207 | ITALY | 73043911 | COLD DRAWN SEAMLESS STEEL TUBE 156.00X13.00X5000.00E355 | 289.16 | 23,591 | 68,21,447 | PUC |
| 2009-10 | 20091229 | CHINA P RP | 73043119 | SEAMLESS LINE PIPE API 5L GRB/ASTM 106 GR B/A53 B IBR WITH BV SIZE:168.3 X10.97 | 275.00 | 30,145 | 82,89,755 | PUC |
| 2009-10 | 20091231 | ARGENTINA | 73043939 | SEAMLESS STEEL PIPES (JIS G3429 DS 202) O.D. 267.00MM XWT. 6.00 MM (ALLOY STEEL | 269.00 | 54,719 | 1,47,19,356 | PUC |
| 2009-10 | 20091229 | CHINA P RP | 73043931 | 73043931 PIPES (CARBON STEEL)OD.127X12.5X3725 | 263.00 | 39,889 | 1,04,90,802 | PUC |
| 2009-10 | 20091231 | BELGIUM | 73049000 | NON ALLOY SECONDARY SCOND CHOICE CARBON STEEL SEAMLESS/WELD PIPE MIXED | 253.00 | 21,101 | 53,38,452 | PUC |
| 2009-10 | 20091231 | BELGIUM | 73049000 | NON ALLOY SECONDARY SECOND CHOICE CARBON STEEL SEAMLESS/WELD PIPE MIXED | 253.00 | 21,092 | 53,36,346 | PUC |
| 2009-10 | 20091211 | CHINA P RP | 73049000 | PRIME CARBON STEEL SEAMLESS PIPES GRADE : ASTM A 106 GR.B / API5L/A53 GR.B | 242.04 | 32,632 | 78,98,259 | PUC |
| 2009-10 | 20091208 | CHINA P RP | 73049000 | CARBON STEEL SEAMLESS PIPES STOCK LOT | 238.00 | 26,224 | 62,41,312 | PUC |
| 2009-10 | 20091231 | ITALY | 73043939 | SEAMLESS STEEL PIPES (GRADE 34CRM04) O.D 267.00 MM XWT. 6.00 MM (ALLOY STEEL) | 228.00 | 64,249 | 1,46,48,866 | PUC |
| 2009-10 | 20091201 | CHINA P RP | 73049000 | CARBON STEEL SEAMLESS PIPES ASTM A106 GR.B/API 5L GR.B. STOCK LOT | 214.00 | 23,920 | 51,18,985 | PUC |
| 2009-10 | 20091231 | ITALY | 73043939 | SEAMLESS STEEL PIPE (GRADE34CRM04) O.D 267.00 MM XWT. 6.00 MM (ALLOY STEEL) | 212.00 | 64,556 | 1,36,85,882 | PUC |
| 2009-10 | 20091203 | CHINA P RP | 73049000 | SEAMLESS STEEL PIPES ASTM A106 GRADE B STOCK LOT | 210.00 | 23,925 | 50,24,282 | PUC |
| 2009-10 | 20091231 | CHINA P RP | 73049000 | HOT FINISHED SEAMLESS STEEL TUBE (GRADE34CRM04) | 207.00 | 51,194 | 1,05,97,122 | PUC |
| 2009-10 | 20091219 | ARGENTINA | 73043911 | SEAMLESS STEEL PIPES (JIS G3429 DS 202) SIZE: O.D. 267,00MM) ALLOY STEEL | 206.41 | 54,491 | 1,12,47,405 | PUC |
| 2009-10 | 20091231 | GERMANY | 73043911 | BOILER QUALITY SEAMLESS CARBON STEEL TUBES SA210 | 200.00 | 60,703 | 1,21,40,595 | PUC |
| 2009-10 | 20091224 | JAPAN | 73049000 | SECONDARY SECOND CHOICE CARBON STEEL SEAMLESS PIPES (MIX SIZES) | 200.00 | 27,607 | 55,21,354 | PUC |
| 2009-10 | 20091230 | CHINA P RP | 73045920 | SEAMLESS STEEL PIPES FOR CYLINDERSOD 139.70MM X 4.5MM X L-5480MM | 200.00 | 44,099 | 88,19,791 | PUC |
| 2009-10 | 20091202 | CHINA P RP | 73045110 | PRIME CDS HOLLOW SEAMLESS TUBES SIZE: OD 60 X THK 6 X LENGTH 5500-6500 MM | 194.00 | 41,355 | 80,22,903 | PUC |
| 2009-10 | 20091217 | GERMANY | 73043911 | BOILER QUALITY SEAMLESS CARBON STEEL TUBES (TO SPEC SA 210)63,500X7,100MM | 193.00 | 1,13,643 | 2,19,33,022 | PUC |
| 2009-10 | 20091215 | ARGENTINA | 73043939 | SEAMLESS STEEL PIPES (JIS G3429 DS202) SIZE:O.D 267.00MM XWT 6.00MM (ALLOY STEE | 187.00 | 54,418 | 1,01,76,143 | PUC |
| 2009-10 | 20091229 | CHINA P RP | 73049000 | CDS CARBON STEEL TUBES GRADE: ASME SA 210 GR.A1 SIZE: 50.8 OD X 4.06M WT X 8500 | 186.48 | 45,769 | 85,35,137 | PUC |
| 2009-10 | 20091208 | CHINA P RP | 73043119 | SEAMLESS CARBON & ALLOY STEEL PIPES . OD44.5 X 3.66 X RL OF 10-12 MTR.(186.675M | 186.31 | 91,197 | 1,69,90,556 | PUC |
| 2009-10 | 20091214 | U K | 73049000 | SECONDARY SECOND CHOICE CARBON STEEL SEAMLESS / WELDED PIPES STOCK LOT | 185.00 | 16,708 | 30,91,000 | PUC |
| 2009-10 | 20091218 | CHINA P RP | 73043119 | COLD DRAWN SEAMLESS CARBON STEEL TUBES ST 30AL SIZE : 30.00 X4.00 X9000-12000MM | 182.00 | 42,463 | 77,28,354 | PUC |
| 2009-10 | 20091204 | CHINA P RP | 73042990 | DRILL PIPE, 5 G-105, GD, R-II, 19.5 PPF (558 PCS), EC NO.: ECIN200911200036 DT | 178.48 | 1,55,046 | 2,76,73,022 | PUC |
| 2009-10 | 20091216 | JAPAN | 73049000 | CARBON STEEL SECONDARY PIPES | 177.00 | 21,583 | 38,20,274 | PUC |
| 2009-10 | 20091210 | CHINA P RP | 73043119 | SEAMLESS CARBON STEEL LINE PIPES AS PER ASTM A 106/A53/API.L.GR.B 24 SCH80 | 176.00 | 40,636 | 71,51,877 | PUC |
| 2009-10 | 20091228 | CHINA P RP | 73049000 | CARBON STEEL SEAMLESS PIPES STOCKLOT. | 173.00 | 26,180 | 45,29,140 | PUC |
| 2009-10 | 20091201 | CHINA P RP | 73049000 | CARBON STEEL SEAMLESS PIPES | 171.00 | 31,063 | 53,11,725 | PUC |
| 2009-10 | 20091207 | UKRAINE | 73049000 | CARBON STEEL SEAMLESS PIPES STOCK LOT MIX SIZE | 165.00 | 24,396 | 40,25,297 | PUC |
| 2009-10 | 20091223 | CHINA P RP | 73069090 | 2 7/8 6.5# N80 SMLS R2 ALONG WITH 2 NOS OF MANDRELS (SEAMLESS TUBING/ CASING) | 164.72 | 96,058 | 1,58,23,032 | PUC |
| 2009-10 | 20091214 | ARGENTINA | 73043939 | SEAMLESS STEEL PIPES (JIS G3429 DS202) SIZE OD:267.00MM XWT:6.00MM (ALLOY STEEL | 163.00 | 54,570 | 88,94,913 | PUC |
| 2009-10 | 20091228 | CHINA P RP | 73049000 | CDS CARBON STEEL TUBES GRADE: ASME SA 210 GR.A1 SIZE: 50.8 OD X 4.06M WT X 8500 | 157.57 | 45,911 | 72,34,004 | PUC |
| 2009-10 | 20091212 | SWEDEN | 73045110 | SECONDARY AND DEFECTIVE SEAMLESS STEEL TUBES, GRADE: 100CR6 THICK XWIDTHXLENGTH | 156.00 | 31,442 | 49,04,974 | PUC |

**Import Data from DGCIS [All Countries PUC]
Apr 2009 to Jun 2012**

| Year | Date | Country | ITC-HS | Item-Des | Quantity (MT) | Price (Rs./MT) | Value (Rs) | PUC/ NPUC |
|---------|----------|------------|----------|---|---------------|----------------|-------------|--------------|
| 2009-10 | 20091204 | JAPAN | 73049000 | CARBON STEEL SECONDARY PIPES | 153.00 | 21,550 | 32,97,137 | PUC |
| 2009-10 | 20091211 | U S A | 73069090 | M.S. SECONDARY PIPES (RUSTED AND PITTED SECONDARY DEFECTIVEPIPES UNUSED) | 152.00 | 18,114 | 27,53,388 | PUC |
| 2009-10 | 20091221 | CHINA P RP | 73049000 | CARBON STEEL SEAMLESS PIPES CONFIRMING TO API 5L GRADE B/ASTM A 106 GR.B IN FIX | 148.00 | 23,377 | 34,59,780 | PUC |
| 2009-10 | 20091201 | CHINA P RP | 73049000 | COLD DRAWN SEAMLESS ALLOY STEEL TUBES GRADE: ASME SA 210 GR.A1 SIZE: 50.8 OD X | 147.24 | 46,138 | 67,93,396 | PUC |
| 2009-10 | 20091230 | CHINA P RP | 73049000 | COLD DRAWN CARBON STEEL SEAMLESS TUBES (MOTHER HOLLOW) ASTM179 25MM, WT 2.5MM, | 145.00 | 39,917 | 57,87,973 | PUC |
| 2009-10 | 20091215 | CHINA P RP | 73043119 | COLD DRAWN SEAMLESS STEEL TUBES AS PER DIN STD 2391 50 MM | 144.00 | 45,960 | 66,18,202 | PUC |
| 2009-10 | 20091229 | CHINA P RP | 73049000 | PRIME CARBON STEEL SEAMLESS PIPE GRADE : ASTM A 106 GRADE B, BEVELLED ENDS, VAR | 138.00 | 32,767 | 45,21,842 | PUC |
| 2009-10 | 20091229 | JAPAN | 73049000 | CARBON STEEL SECONDARY PIPES | 136.00 | 21,642 | 29,43,289 | PUC |
| 2009-10 | 20091231 | CHINA P RP | 73043919 | CARBON STEEL SEAMLESS TUBES TO DIN17175 (FULLY KILLED STEEL) SIZE 33.40MM OD X | 134.57 | 36,465 | 49,07,241 | PUC |
| 2009-10 | 20091228 | U S A | 73049000 | CARBON STEEL SECONDARY PIPES | 133.00 | 27,549 | 36,63,967 | PUC |
| 2009-10 | 20091216 | CHINA P RP | 73049000 | CARBON STEEL SEAMLESS LINE PIPES API 5L/ASTM A 106 GR.B BEVELLED END | 131.00 | 31,302 | 41,00,606 | PUC |
| 2009-10 | 20091223 | FRANCE | 73041910 | 8 S 120 PIPES | 130.00 | 81,323 | 1,05,72,020 | PUC |
| 2009-10 | 20091230 | GERMANY | 73049000 | CARBON STEEL SEAMLESS PIPES (M.S.) SECONDARY/DEFECTIVE | 129.00 | 18,823 | 24,28,195 | PUC |
| 2009-10 | 20091204 | SINGAPORE | 73041190 | CARBON STEEL SEAMLESS PIPE ,ASTM A53 GRADE B 500AXSCH 40X6M | 125.63 | 63,995 | 80,39,404 | PUC |
| 2009-10 | 20091211 | CHINA P RP | 73041910 | SEAMLESS STEEL TUBES PIPES 140MMX6MM | 124.00 | 35,244 | 43,70,291 | PUC |
| 2009-10 | 20091209 | JAPAN | 73042990 | PIPE FOR DRYER SYSTEM 80MM DIA | 120.63 | 47,855 | 57,72,868 | PUC |
| 2009-10 | 20091201 | CHINA P RP | 73041190 | CARBON STEEL SEAMLESS HOT FINISHED PIPES ASTM A106 GR B (76.2MM OD X 3.2MM THK | 118.00 | 35,219 | 41,55,818 | PUC |
| 2009-10 | 20091216 | CHINA P RP | 73043119 | SEAMLESS CARBON STEEL PIPES AS PER ASTM A106 GRB SIZE 76.2*10*5800MM | 117.00 | 30,455 | 35,63,222 | PUC |
| 2009-10 | 20091211 | CHINA P RP | 73043911 | HOT ROLLED SEAMLESS STEEL (CMN) TUBE (SIZE: 232MMX5.4MM 37MN) | 115.00 | 51,838 | 59,61,414 | PUC |
| 2009-10 | 20091211 | CHINA P RP | 73045110 | BEARING QUALITY STEEL TUBE SAE-52100 AND SUJ-3 SIZE 30.15 X 5.4 MM | 108.00 | 51,324 | 55,42,970 | PUC |
| 2009-10 | 20091203 | CHINA P RP | 73049000 | CARBON STEEL SEAMLESS LINE PIPES API 5L GRADE B BEVELLD END | 106.00 | 31,131 | 32,99,884 | PUC |
| 2009-10 | 20091231 | ARGENTINA | 73043911 | SEAMLESS STEEL PIPES (JIS G3429 DS 202) O.D. 267,00 MM - WT 6,00 MM(ALLOY STEEL | 105.00 | 54,925 | 57,67,163 | PUC |
| 2009-10 | 20091231 | CHINA P RP | 73041110 | MS SEAMLESS TUBE/SEAMLESS PIPE-SIZE:O.D.114MM-WT.10MM-LENGTH.5-5.8MTR | 104.00 | 24,222 | 25,19,061 | PUC |
| 2009-10 | 20091230 | KUWAIT | 73049000 | SECONDARY CARBON STEEL PIPES SEAMLESS | 103.00 | 19,439 | 20,02,181 | PUC |
| 2009-10 | 20091209 | CHINA P RP | 73045110 | BEARING QUALITY STEEL TUBE GRADE SAE-52100 SIZE: 62.26 X 50.25MM | 102.00 | 48,629 | 49,60,118 | PUC |
| 2009-10 | 20091202 | CHINA P RP | 73049000 | CARBON STEEL PIPES SEAMLESS PIPES MIX SURPLUS LOT | 102.00 | 26,561 | 27,09,223 | PUC |
| 2009-10 | 20091224 | CHINA P RP | 73069090 | SEAMLESS STEEL TUBES 61902 OR (BEARING QUALITY) | 101.30 | 74,480 | 75,45,078 | PUC |
| 2009-10 | 20091204 | JAPAN | 73049000 | CARBON STEEL SECONDARY PIPES | 101.00 | 21,511 | 21,72,566 | PUC |
| 2009-10 | 20091224 | KUWAIT | 73049000 | SECONDARY CARBON STEEL PIPES SEAMLESS | 99.00 | 19,492 | 19,29,688 | PUC |
| 2009-10 | 20091224 | KUWAIT | 73049000 | SECONDARY CARBON STEEL PIPES SEAMLESS | 99.00 | 19,425 | 19,23,098 | PUC |
| 2009-10 | 20091222 | CHINA P RP | 73043919 | CARBON STEEL SEAMLESS PIPES TO ASTM A 106 GR B(SIZE 33.40 MM OD X 3.40 MM THK X | 99.00 | 33,750 | 33,41,210 | PUC |
| 2009-10 | 20091216 | CHINA P RP | 73049000 | PRIME CARBON STEEL SEAMLESS PIPES GRADE : ASTM A 106 GR.B / API5L GR.B | 98.51 | 32,351 | 31,86,832 | PUC |
| 2009-10 | 20091229 | CHINA P RP | 73041910 | SUPPLY OF API 2B TUBULARS FOR ONGC 24 MODULAR RIG PROJECT LSAW PIPE AS PER API | 97.00 | 64,711 | 62,76,951 | PUC |
| 2009-10 | 20091203 | CHINA P RP | 73049000 | SEAMLESS CARBON STEEL PIPES API 5L/ASTM A106 GR.B STOCK LOT | 95.00 | 23,843 | 22,65,038 | PUC |
| 2009-10 | 20091231 | ARGENTINA | 73043911 | SEAMLESS STEEL PIPES (JIS G3429 DS 202) ALLOY STEELSIZE: O.D. 267.00MM | 94.00 | 55,402 | 52,07,817 | PUC |
| 2009-10 | 20091221 | CHINA P RP | 73043119 | CARBON STEEL SEAMLESS PIPE ASTM A53/106 API 5L-PSL 1GR.B-4 SCH80, 6100MM | 93.00 | 34,092 | 31,70,596 | PUC |
| 2009-10 | 20091201 | ITALY | 73043911 | COLD DRAWN SEAMLESS STEEL TUBES 130.50X7.75X1.00E355 | 88.67 | 54,874 | 48,65,387 | PUC |
| 2009-10 | 20091216 | CHINA P RP | 73049000 | PRIME CARBON STEEL SEAMLESS PIPES GRADE : ASTM A 106 GR.B / API5L GR.B | 86.69 | 32,351 | 28,04,526 | PUC |
| 2009-10 | 20091215 | CHINA P RP | 73069090 | SEAMLESS STEEL TUBES 6301OR (BEARING QUALITY) | 85.71 | 60,832 | 52,14,042 | PUC |
| 2009-10 | 20091229 | CHINA P RP | 73041990 | SEAMLESS CARBON STEEL PIPES AS PER ASTM A.106 GR.B/API 5L GR.B 97X8.5X5800MM | 85.00 | 37,806 | 32,13,483 | PUC |
| 2009-10 | 20091211 | CHINA P RP | 73049000 | CARBON STEEL SEAMLESS PIPES TO ASTM A 106 GRADE B STOCK LOT | 85.00 | 24,782 | 21,06,485 | PUC |

**Import Data from DGCIS [All Countries PUC]
Apr 2009 to Jun 2012**

| Year | Date | Country | ITC-HS | Item-Des | Quantity (MT) | Price (Rs./MT) | Value (Rs) | PUC/ NPUC |
|---------|----------|-------------|----------|---|---------------|----------------|------------|--------------|
| 2009-10 | 20091208 | U S A | 73049000 | SECONDARY SECOND CHOICE CARBON STEEL SEAMLESS / WELDED PIPES STOCK LOT | 84.00 | 16,414 | 13,78,747 | PUC |
| 2009-10 | 20091208 | U S A | 73049000 | SECONDARY SECOND CHOICE CARBON STEEL SEAMLESS / WELDED PIPES STOCK LOT | 82.00 | 16,429 | 13,47,165 | PUC |
| 2009-10 | 20091201 | CHINA P RP | 73043931 | PIPES(TO SPEC SA-106-CARBON STEEL)OD 219.1X14.2X6000 | 81.00 | 57,538 | 46,60,586 | PUC |
| 2009-10 | 20091215 | U K | 73049000 | SECONDARY SECOND CHOICE CARBON STEEL SEAMLESS/WELDED PIPES STOCK LOT | 80.00 | 16,708 | 13,36,648 | PUC |
| 2009-10 | 20091231 | U ARAB EMTS | 73049000 | SECONDARY SECOND CHOICE CARBON STEEL SEAMLESS / WELDED PIPES | 80.00 | 16,567 | 13,25,381 | PUC |
| 2009-10 | 20091210 | ARGENTINA | 73043939 | SEAMLESS STEEL PIPES (JIS G3429 DS 202)SIZE : O.D. 267.00 MM X WT.6.00 MM (ALL | 79.00 | 54,666 | 43,18,619 | PUC |
| 2009-10 | 20091231 | CHINA P RP | 73041910 | READY TO HONE PRECISION TUBE (IDXOD) - 160X194MM | 77.94 | 9,038 | 7,04,440 | PUC |
| 2009-10 | 20091211 | CHINA P RP | 73043911 | CARBON STEEL SEAMLESS MOTHER PIPE (HOT FINISHED)48X3.5X10800MM(STC 18900 METERS | 76.00 | 40,691 | 30,92,511 | PUC |
| 2009-10 | 20091214 | U K | 73049000 | SECONDARY SECOND CHOICE CARBON STEEL SEAMLESS / WELDED PIPES STOCK LOT | 75.00 | 16,381 | 12,28,538 | PUC |
| 2009-10 | 20091211 | SAUDI ARAB | 73049000 | SECONDARY SECOND CARBON STEEL SEAMLESS/ WELDED PIPES MIXED THICKNESS MIXED LOT. | 75.00 | 15,189 | 11,39,161 | PUC |
| 2009-10 | 20091221 | CHINA P RP | 73049000 | CARBON STEEL SEAMLESS PIPES, ASTM A 106 GR B 5 TO 5.8 METRE LENGTH | 74.00 | 28,810 | 21,31,950 | PUC |
| 2009-10 | 20091208 | U ARAB EMTS | 73049000 | M.S SECONDARY DEFECTIVE SEAMLESS PIPES | 73.00 | 23,516 | 17,16,638 | PUC |
| 2009-10 | 20091221 | CHINA P RP | 73049000 | CS SEAMLESS PIPES(SIZE:OD 33.4*3.38,48.3*3.68,60.3*3.91, 88.9* 5.49,114.3* 6.02 | 70.47 | 42,642 | 30,04,915 | PUC |
| 2009-10 | 20091208 | CHINA P RP | 73043119 | SEAMLESS CARBON STEEL PIPES AS PER ASTM A106 GRB SIZE 88.9*15*5800MM | 67.00 | 30,343 | 20,32,989 | PUC |
| 2009-10 | 20091223 | CHINA P RP | 73049000 | SUPPLY OF EQUIPMENT AND MATERIALS OF CRUDE REFINERY PROJECT-CARBON STEEL SEAMLE | 66.00 | 44,131 | 29,12,631 | PUC |
| 2009-10 | 20091231 | JAPAN | 73045110 | COLD DRAWN SEAMLESS CARBON STEEL TUBES TSM-2720R1 GRADE SAE 1541 (SIZE: 69.90 | 64.00 | 80,534 | 51,54,188 | PUC |
| 2009-10 | 20091222 | CHINA P RP | 73045110 | BEARING QUALITY STEEL TUBE SAE-52100 AND SUJ-3 SIZE: 30.15X5.4MM | 62.00 | 58,334 | 36,16,691 | PUC |
| 2009-10 | 20091231 | CHINA P RP | 73043919 | CARBON STEEL SEAMLESS TUBES TO DIN17175 (FULLY KILLED STEEL) SIZE 33.40MM OD X | 60.80 | 36,467 | 22,17,108 | PUC |
| 2009-10 | 20091201 | ROMANIA | 73041910 | SEAMLESS CARBON STEEL LINE PIPES (STOCK SURPLUS) | 60.00 | 25,107 | 15,06,417 | PUC |
| 2009-10 | 20091218 | ARGENTINA | 73043939 | SEAMLESS STEEL PIPE (JIS G3429 DS202) SIZE OD 267.00MMXWT 6.00MM (ALLOY STEEL) | 59.00 | 55,107 | 32,51,298 | PUC |
| 2009-10 | 20091231 | RUSSIA | 73049000 | NON ALLOY SECONDARY SECOND CHOICE CARBON STEEL SEAMLESS/WELD TUBES | 55.00 | 18,419 | 10,13,018 | PUC |
| 2009-10 | 20091204 | U K | 73049000 | SECONDARY SURPLUS CARBON STEEL PIPES | 54.00 | 21,781 | 11,76,197 | PUC |
| 2009-10 | 20091222 | U ARAB EMTS | 73049000 | SECONDARY/DEFECTIVE CARBON STEEL SEAMLESS PIPES | 53.00 | 21,701 | 11,50,169 | PUC |
| 2009-10 | 20091204 | U K | 73049000 | SECONDARY SURPLUS CARBON STEEL PIPES | 52.00 | 21,866 | 11,37,048 | PUC |
| 2009-10 | 20091217 | CHINA P RP | 73043119 | COLD DRAWN SEAMLESS CARBON STEEL PIPES ASTM A 106 GR.B SIZE:60.3 X 4.5 X 6000 M | 51.00 | 37,539 | 19,14,474 | PUC |
| 2009-10 | 20091216 | CHINA P RP | 73043919 | CARBON STEEL SEAMLESS TUBES TO ASTM A 106/API 5L(FULLY KILLED STEEL)33.40MM OD | 51.00 | 34,961 | 17,82,991 | PUC |
| 2009-10 | 20091221 | CHINA P RP | 73049000 | SEAMLESS CARBON STEEL PIPES ASTM A106 GRB ASTM A53B/API 5LB | 51.00 | 28,751 | 14,66,314 | PUC |
| 2009-10 | 20091204 | CHINA P RP | 73049000 | SEAMLESS CARBON STEEL PIPES ASTM A106GR.B/ASTMA A53/API5LB | 51.00 | 28,751 | 14,66,314 | PUC |
| 2009-10 | 20091230 | U S A | 73049000 | CARBON STEEL SEAMLESS PIPE SECONDARY/DEFECTIVE | 50.00 | 21,748 | 10,87,423 | PUC |
| 2009-10 | 20091209 | JAPAN | 73043911 | SECONDARY DEFECTIVE CARBON STEEL SEAMLESS PIPES (MIX SIZES) | 50.00 | 20,012 | 10,00,613 | PUC |
| 2009-10 | 20091222 | CHINA P RP | 73043119 | COLD DRAWN CARBON STEEL SEAMLESS TUBES (MOTHER HOLLOW) ASTMA179 SIZE OD 32MM, W | 49.00 | 38,251 | 18,74,277 | PUC |
| 2009-10 | 20091211 | CHINA P RP | 73049000 | CARBON SEAMLESS STEEL PIPE AS PER API 5L/ASTM A53/106 GR.B | 49.00 | 28,611 | 14,01,939 | PUC |
| 2009-10 | 20091223 | CHINA P RP | 73041190 | CARBON STEEL SEAMLESS PIPE ASTM A 106 GRADE B FOR ONE SHIP (129 MTR, OD 114.30M | 48.00 | 41,098 | 19,72,719 | PUC |
| 2009-10 | 20091223 | CHINA P RP | 73041190 | CARBON STEEL SEAMLESS PIPE ASTM A 106 GRADE B FOR ONE SHIP (128 MTR, OD 114.30M | 48.00 | 40,847 | 19,60,642 | PUC |
| 2009-10 | 20091231 | CHINA P RP | 73049000 | SUPPLY OF ASTM A 106 GRADE B SEAMLESS PIPES FOR ONE SHIP (YARD 222) :- SEAMLESS | 48.00 | 40,615 | 19,49,527 | PUC |
| 2009-10 | 20091214 | CHINA P RP | 73044900 | STEEL PROP(INNERPIPE(48X2)MM, OUTPIPE(60X2)MM,LENGTH(2.25-3.9)M,BASEPLATE (120X | 48.00 | 28,179 | 13,52,594 | PUC |
| 2009-10 | 20091201 | CHINA P RP | 73043139 | HYDRAULIC CYLINDER TUBE SIZE : 190 X 160 MM (ST52) | 47.14 | 19,737 | 9,30,509 | PUC |
| 2009-10 | 20091218 | CHINA P RP | 73043921 | SEAMLESS CYLINDER PIPES JIS G 3429 88 37MN 139.8MMX4.2MM | 47.00 | 55,147 | 25,91,923 | PUC |
| 2009-10 | 20091201 | GERMANY | 73069090 | SEAMLESS P+P-PRECISION STEEL-TUBES-DIN 2391-C:09.94 + DIN EN 10083-1:10.06,GRAD | 46.20 | 47,427 | 21,91,304 | PUC |
| 2009-10 | 20091210 | CHINA P RP | 73049000 | COLD DRAWN SEAMLESS CARBON STEEL TUBES(15.88X1.60X5000-5800MM) | 46.00 | 46,505 | 21,39,243 | PUC |
| 2009-10 | 20091203 | CHINA P RP | 73041910 | SEAMLESS PIPE ASTM A 106 GRADE B (OD 114.30 MM W.THK 6.02 MM 129 MTR) | 46.00 | 42,760 | 19,66,969 | PUC |

Import Data from DGCIS [All Countries PUC]

Apr 2009 to Jun 2012

| Year | Date | Country | ITC-HS | Item-Des | Quantity (MT) | Price (Rs./MT) | Value (Rs) | PUC/ NPUC |
|---------|----------|-------------|----------|---|---------------|----------------|------------|--------------|
| 2009-10 | 20091216 | CHINA P RP | 73043919 | CARBON STEEL SEAMLESS TUBES TO ASTM A 106/API 5L(FULLY KILLED STEEL)33.40MM OD | 46.00 | 35,430 | 16,29,759 | PUC |
| 2009-10 | 20091210 | CHINA P RP | 73049000 | SUPPLY OF ASTM A 106 GRADE B SEAMLESS PIPES FOR ONE SHIP (YARD 262) :- SEAMLESS | 45.00 | 43,937 | 19,77,164 | PUC |
| 2009-10 | 20091214 | CHINA P RP | 73041910 | SEAMLESS PRECISION STEEL TUBE - 50 X 6 X L (=940MMX 2/3/4/5/6) | 44.24 | 42,075 | 18,61,398 | PUC |
| 2009-10 | 20091208 | JAPAN | 73045110 | COLD DRAWN SEAMLESS CARBON STEEL TUBES TSM-2720R1 GRADE SAE 1541 (SIZE: 69.90 X | 44.00 | 80,338 | 35,34,850 | PUC |
| 2009-10 | 20091215 | CHINA P RP | 73049000 | CARBON STEEL SEAMLESS PIPES API 5L GRADEB/ASTM A 106 GR.B | 44.00 | 32,224 | 14,17,834 | PUC |
| 2009-10 | 20091210 | SAUDI ARAB | 73049000 | SECONDARY SECOND CARBON STEEL SEAMLESS/ WELDED PIPES MIXED THICKNESS MIXED LOT | 43.00 | 15,392 | 6,61,863 | PUC |
| 2009-10 | 20091210 | CHINA P RP | 73049000 | COLD DRAWN SEAMLESS CARBON STEEL TUBES(33.38X6.35X5100-5800MM) | 43.00 | 45,605 | 19,61,034 | PUC |
| 2009-10 | 20091222 | CHINA P RP | 73043911 | CARBON STEEL SEAMLESS MOTHER PIPE (HOT FINISHED)20X3.0X4500-5800MM (STC 3208 PC | 43.00 | 43,755 | 18,81,484 | PUC |
| 2009-10 | 20091202 | CHINA P RP | 73045110 | BEARING QUALITY STEEL TUBE SAE52100 AND SUJ-3 TMB6304 OR 52.6 X 5.55MM | 42.00 | 54,023 | 22,68,964 | PUC |
| 2009-10 | 20091210 | CHINA P RP | 73049000 | SUPPLY OF ASTM A 106 GRADE B SEAMLESS PIPES FOR ONE SHIP (YARD 270) : SEAMLESS | 42.00 | 46,256 | 19,42,741 | PUC |
| 2009-10 | 20091210 | SAUDI ARAB | 73049000 | SECONDARY SECOND CARBON STEEL SEAMLESS/ WELDED PIPES MIXED THICKNESS MIXED LOT | 41.00 | 15,405 | 6,31,606 | PUC |
| 2009-10 | 20091210 | CHINA P RP | 73049000 | SUPPLY OF ASTM A 106 GRADE B SEAMLESS PIPES FOR ONE SHIP (YARD 351) :- SEAMLESS | 41.00 | 48,090 | 19,71,686 | PUC |
| 2009-10 | 20091211 | CHINA P RP | 73049000 | SUPPLY OF ASTM A 106 GRADE B SEAMLESS PIPES FOR ONE SHIP (YARD 352) :- SEAMLESS | 41.00 | 47,953 | 19,66,087 | PUC |
| 2009-10 | 20091214 | CHINA P RP | 73049000 | COLD DRAWN SEAMLESS STEEL TUBES 69.00MMX 02.00MM ST52 TENSILE 640MPA MIN (O.DX | 41.00 | 44,696 | 18,32,517 | PUC |
| 2009-10 | 20091215 | CHINA P RP | 73041910 | SEAMLESS CARBON STEEL PIPES AS PER ASTM A106 GRB 2 INCHES SCH40*5800MM | 41.00 | 29,847 | 12,23,740 | PUC |
| 2009-10 | 20091201 | CHINA P RP | 73049000 | SEAMLESS CARBON STEEL TUBES ASTM A 106, GR.B STOCK LOT | 41.00 | 24,687 | 10,12,162 | PUC |
| 2009-10 | 20091218 | CHINA P RP | 73049000 | C. HIGH PRESSURE PIPES (SEAMLESS PIPES) (SIZE:OD 114.3 X 6.02)-200002964 | 40.27 | 20,476 | 8,24,507 | PUC |
| 2009-10 | 20091223 | CHINA P RP | 73049000 | SUPPLY OF ASTM A 106 GRADE B SEAMLESS PIPES FOR ONE SHIP (YARD 262) :- SEAMLESS | 40.00 | 46,472 | 18,58,864 | PUC |
| 2009-10 | 20091223 | CHINA P RP | 73049000 | COLD DRAWN SEAMLESS CARBON STEEL TUBES(65.00X5.50X5000-5800MM) | 40.00 | 41,778 | 16,71,124 | PUC |
| 2009-10 | 20091223 | CHINA P RP | 73045110 | BEARING QUALITY STEEL TUBE SAE-52100 SIZE: 47.7X4.3MM | 38.00 | 48,076 | 18,26,892 | PUC |
| 2009-10 | 20091231 | CHINA P RP | 73045120 | ALLOY STEEL SEAMLESS PIPES GRADE P12 | 38.00 | 33,195 | 12,61,418 | PUC |
| 2009-10 | 20091214 | CHINA P RP | 73049000 | HOT FINISHED C.S. SEAMLESS TUBES [273MM X 25.4MM X 9550MM X 8] | 36.00 | 50,260 | 18,09,365 | PUC |
| 2009-10 | 20091203 | CHINA P RP | 73043911 | HOT FINISHED SEAMLESS STEEL TUBES (JIS G3429(1988), GRADE 34CRM04) SIZE: OD 267 | 34.00 | 49,602 | 16,86,471 | PUC |
| 2009-10 | 20091221 | CHINA P RP | 73042390 | HOLLOW BAR/BAR STOCK OF RELEVANT DIA (5-1/4 OD) | 33.56 | 1,79,707 | 60,30,282 | PUC |
| 2009-10 | 20091202 | JAPAN | 73049000 | ALLOY STEEL SEAMLESS STEEL TUBES O.D. 56.55MM X W/TH.7.95MM | 32.71 | 1,47,932 | 48,39,290 | PUC |
| 2009-10 | 20091230 | ITALY | 73043911 | COLD DRAWN SEAMLESS STEEL TUBE-111.00X8.00X3221.00 E355 | 32.65 | 94,030 | 30,69,772 | PUC |
| 2009-10 | 20091226 | CHINA P RP | 73049000 | CS SEAMLESS PIPES (SIZE:OD 273 X 6.35)(LIST 17,SR.NO. 32) | 30.83 | 23,921 | 7,37,433 | PUC |
| 2009-10 | 20091208 | CHINA P RP | 73043939 | HYDRAULIC CYLINDER HONED TUBE - 160*140 | 30.75 | 43,875 | 13,49,192 | PUC |
| 2009-10 | 20091216 | U K | 73042390 | PROCUREMENT OF DRILL PIPES 5 G-105 GD,R-II,19.5 PPF (995.910 METERS=34.506 MT) | 28.87 | 1,91,491 | 55,28,534 | PUC |
| 2009-10 | 20091216 | U K | 73042390 | PROCUREMENT OF DRILL PIPES 5 19.5 PPF S-135 R/H IEU (984.150 METERS=34.741 M | 28.55 | 1,80,848 | 51,63,522 | PUC |
| 2009-10 | 20091216 | JAPAN | 73045910 | 73045910 SEAMLESS TUBES (ALLOY STEEL) | 28.00 | 2,07,218 | 58,02,106 | PUC |
| 2009-10 | 20091231 | RUSSIA | 73049000 | NON ALLOY SECONDARY SECOND CHOICE CARBON STEEL SEAMLESS/WELD TUBES | 28.00 | 18,253 | 5,11,072 | PUC |
| 2009-10 | 20091216 | JAPAN | 73045910 | 73045910 SEAMLESS TUBES (ALLOY STEEL) | 27.00 | 2,06,816 | 55,84,022 | PUC |
| 2009-10 | 20091231 | RUSSIA | 73049000 | NON ALLOY SECONDARY SECOND CHOICE CARBON STEEL SEAMLESS/WELD TUBES | 27.00 | 18,591 | 5,01,946 | PUC |
| 2009-10 | 20091223 | U K | 73049000 | SECONDARY SECOND CHOICE CARBON STEEL SEAMLESS / WELDED PIPES STOCK LOT | 27.00 | 16,381 | 4,42,274 | PUC |
| 2009-10 | 20091223 | U ARAB EMTS | 73049000 | SECONDARY/DEFECTIVE MILD STEEL PIPE | 26.00 | 21,757 | 5,65,680 | PUC |
| 2009-10 | 20091216 | U K | 73049000 | SECONDARY SURPLUS CARBON STEEL PIPES | 26.00 | 21,626 | 5,62,286 | PUC |
| 2009-10 | 20091218 | JAPAN | 73043911 | SECONDARY/DEFECTIVE CARBON STEEL SEAMLESS PIPES (MIX SIZE) | 26.00 | 20,165 | 5,24,293 | PUC |
| 2009-10 | 20091224 | CHINA P RP | 73049000 | CARBON STEEL SEAMLESS LINE PIPES API 5L / ASTM A106 GR.B SIZE 219 MM X 34 MM | 26.00 | 31,352 | 8,15,147 | PUC |
| 2009-10 | 20091201 | CHINA P RP | 73043119 | CARBON STEEL SEAMLESS LINE PIPES API 5L GR.B BEVELLED END 8 NB X SCH 80 10-11.8 | 26.00 | 31,209 | 8,11,428 | PUC |
| 2009-10 | 20091216 | CHINA P RP | 73043139 | HYDRAULIC CYLINDER TUBE SIZE : 120 X 100 MM (ST 52) | 25.89 | 52,621 | 13,62,281 | PUC |

**Import Data from DGCIS [All Countries PUC]
Apr 2009 to Jun 2012**

| Year | Date | Country | ITC-HS | Item-Des | Quantity (MT) | Price (Rs./MT) | Value (Rs) | PUC/ NPUC |
|---------|----------|----------------|----------|---|---------------|----------------|------------|--------------|
| 2009-10 | 20091210 | CHINA P RP | 73043911 | SEAMLESS HOLLOW PIPES (ST 52) | 25.09 | 36,847 | 9,24,419 | PUC |
| 2009-10 | 20091221 | JAPAN | 73049000 | SECONDARY SEAMLESS CARBON STEEL PIPES | 25.00 | 37,643 | 9,41,082 | PUC |
| 2009-10 | 20091217 | U ARAB EMTS | 73049000 | SECONDARY SECOND CHOICE CARBON STEEL SEAMLESS DEFECTIVE PIPES STOCK LOT | 25.00 | 24,310 | 6,07,745 | PUC |
| 2009-10 | 20091216 | U K | 73049000 | SECONDARY SURPLUS CARBON STEEL PIPES | 25.00 | 21,803 | 5,45,077 | PUC |
| 2009-10 | 20091222 | JAPAN | 73049000 | SECONDARY DEFECTIVE CARBON STEEL SEAMLESS PIPES(MIX SIZES) | 25.00 | 20,333 | 5,08,335 | PUC |
| 2009-10 | 20091211 | U ARAB EMTS | 73049000 | SECONDARY SECOND CHOICE CARBON STEEL SEAMLESS / WELDED PIPES | 25.00 | 16,944 | 4,23,592 | PUC |
| 2009-10 | 20091230 | CHINA P RP | 73045110 | CARBON STEEL SEAMLESS TUBES(MOTHER HOLLOW)DIN 17175 ST 35.8-33.4 X 3.38 | 25.00 | 42,646 | 10,66,147 | PUC |
| 2009-10 | 20091202 | CHINA P RP | 73045110 | COLD DRAWN CARBON STEEL SEAMLESS TUBES/PIPES(MOTHER HOLLOW)OD:60.3MM WT.2.87MM | 25.00 | 40,208 | 10,05,194 | PUC |
| 2009-10 | 20091208 | CHINA P RP | 73049000 | SEAMLESS LINE PIPE API 5L GR.B / ASTM A 106 GR B / A53 B | 25.00 | 30,488 | 7,62,194 | PUC |
| 2009-10 | 20091214 | CHINA P RP | 73049000 | PRIME CARBON STEEL SEAMLESS PIPE GRADE : ASTM A 106 GRADE B, BEVELLED ENDS, VAR | 24.85 | 32,725 | 8,13,282 | PUC |
| 2009-10 | 20091221 | ITALY | 73063090 | TUBES FOR HYDRAULIC CYLINDER [140.00X7.50X5780.00] | 24.52 | 70,785 | 17,35,352 | PUC |
| 2009-10 | 20091226 | CHINA P RP | 73049000 | CS SEAMLESS PIPES(SIZE:OD 219.1 X 15.09)(LIST 17, SR.NO.32) | 24.15 | 19,327 | 4,66,780 | PUC |
| 2009-10 | 20091207 | U ARAB EMTS | 73049000 | SECONDARY SECOND CHOICE CARBON STEEL SEAMLESS PIPE AND FITTING STOCK MIX LOT | 24.00 | 24,111 | 5,78,658 | PUC |
| 2009-10 | 20091215 | CHINA P RP | 73049000 | CARBON SEAMLESS PIPES AS PER API 5L/A53/A106 GR B | 24.00 | 25,817 | 6,19,609 | PUC |
| 2009-10 | 20091221 | KOREA RP | 73041110 | STEEL PIPES (GRADE - ACMS) (50.8MM X 2.3MM X 5800MM) | 23.00 | 49,001 | 11,27,034 | PUC |
| 2009-10 | 20091203 | CHINA P RP | 73043119 | CARBON STEEL SEAMLESS TUBES AS PER ASTM A106 GR.B/API 5L GR.B 114.3X4.2 X5800 | 23.00 | 33,371 | 7,67,542 | PUC |
| 2009-10 | 20091218 | CHINA P RP | 73043119 | CARBON STEEL SEAMLESS TUBES ASPER ASTM A106/API 5L GR.B | 23.00 | 31,183 | 7,17,206 | PUC |
| 2009-10 | 20091231 | CHINA P RP | 73045110 | BEARING QUALITY STEEL TUBE - SAE52100 - 48.5 * 5.5 | 22.98 | 57,970 | 13,32,034 | PUC |
| 2009-10 | 20091217 | ITALY | 73041190 | SEAMLESS COLD DRAWN TUBES FOR HYDRAULIC CYLINDER ACCORDING 140.00X****X12.50MM. | 22.96 | 1,13,096 | 25,97,034 | PUC |
| 2009-10 | 20091231 | CHINA P RP | 73043911 | SEAMLESS STEEL TUBE GRADE : GCR 15/SAE 52100SIZE: 55.2 X 9.2 MM | 22.90 | 45,581 | 10,43,993 | PUC |
| 2009-10 | 20091230 | CHINA P RP | 73045110 | BEARING QUALITY STEEL TUBE SAE 52100 38.6 X 4.0 | 22.87 | 57,970 | 13,25,658 | PUC |
| 2009-10 | 20091231 | CHINA P RP | 73043119 | CARBON SEAMLESS STEEL TUBES ASME SA 210 GR A1 38.1 OD X 3.66 WT X 11800 LG | 22.86 | 46,246 | 10,57,153 | PUC |
| 2009-10 | 20091230 | ITALY | 73041190 | SEAMLESS COLD DRAWN TUBES FOR HYDRAULIC CYLINDER ACCORDING 120.00X****X10.00MM | 22.57 | 1,05,862 | 23,89,303 | PUC |
| 2009-10 | 20091214 | CZECH REPUBLIC | 73041110 | SEAMLESS HOT-FINISHED STEEL TUBES/PIPES GRADE:S355J2H (244.50X10.00X6000 =6300 | 22.00 | 1,22,217 | 26,88,774 | PUC |
| 2009-10 | 20091221 | KOREA RP | 73041110 | STEEL PIPES (GRADE - ACMS) (60.5MM X 1.5MM X 5800MM) | 22.00 | 51,586 | 11,34,896 | PUC |
| 2009-10 | 20091231 | U K | 73049000 | SECONDARY SECOND CHOICE CARBON STEEL SEAMLESS / WELDED PIPES STOCK LOT | 22.00 | 17,392 | 3,82,616 | PUC |
| 2009-10 | 20091217 | U ARAB EMTS | 73049000 | SECONDARY SECOND CHOICE CARBON STEEL SEAMLESS / WELDED PIPES | 22.00 | 16,998 | 3,73,953 | PUC |
| 2009-10 | 20091229 | CHINA P RP | 73041910 | SEAMLESS STEEL TUBES GRADE SAE52100/GCR15 (SIZE: 57.00 X 35.00 X 11.00MM) | 22.00 | 55,381 | 12,18,387 | PUC |
| 2009-10 | 20091215 | CHINA P RP | 73049000 | CARBON STEEL SEAMLESS TUBES | 21.40 | 35,175 | 7,52,739 | PUC |
| 2009-10 | 20091216 | ARGENTINA | 73043939 | SEAMLESS STEEL PIPES (JIS G3429 DS202) SIZE O.D.267.00MMXWT 6.00MM (ALLOY STEE | 21.00 | 54,790 | 11,50,590 | PUC |
| 2009-10 | 20091212 | CHINA P RP | 73049000 | SUPPLY OF ASTM A 106 GRADE B SEAMLESS PIPES FOR ONE SHIP (YARD 262) :- SEAMLESS | 21.00 | 46,623 | 9,79,077 | PUC |
| 2009-10 | 20091207 | CHINA P RP | 73043939 | SEAMLESS CARBON STEEL PIPES (BS3059 STEEL-320) (51 MM X 6.3MM) | 21.00 | 40,647 | 8,53,594 | PUC |
| 2009-10 | 20091218 | CHINA P RP | 73043119 | CARBON STEEL SEAMLESS PIPES AISI 4130 | 21.00 | 36,425 | 7,64,924 | PUC |
| 2009-10 | 20091203 | CHINA P RP | 73049000 | STEEL TUBES.O.D. 19.7 X 14.5 X 2.60 MM | 20.39 | 1,05,188 | 21,44,563 | PUC |
| 2009-10 | 20091201 | CHINA P RP | 73049000 | COLD DRAWN SEAMLESS PIN STEEL TUBE SCM415H OD 13.35 MM X ID 9.00 MM | 20.38 | 1,18,066 | 24,06,662 | PUC |
| 2009-10 | 20091223 | CHINA P RP | 73049000 | COLD DRAWN SEAMLESS PIN STEEL TUBE SCM415H OD17.35MM X ID 12.0MM | 20.23 | 1,18,271 | 23,92,156 | PUC |
| 2009-10 | 20091208 | CHINA P RP | 73049000 | COLD DRAWN SEAMLESS PIN STEEL TUBE SCM415H OD 17.35MM X ID 12.0MM | 20.21 | 1,18,473 | 23,93,746 | PUC |
| 2009-10 | 20091209 | CHINA P RP | 73045110 | STEEL TUBE DIA 4.76X0.60MM WITH COPPER COATED (CAPTIVE CONSUMTION) | 20.02 | 56,562 | 11,32,212 | PUC |
| 2009-10 | 20091224 | U S A | 73049000 | SECONDARY DEFECTIVE CARBON STEEL SEAMLESS PIPES | 20.00 | 22,210 | 4,44,193 | PUC |
| 2009-10 | 20091208 | JAPAN | 73049000 | SECONDARY CARBON STEEL SEAMLESS PIPES | 20.00 | 20,466 | 4,09,325 | PUC |
| 2009-10 | 20091204 | CHINA P RP | 73043119 | SEAMLESS STEEL PIPES ASTM A106 GR.B/API 5L GR.B | 20.00 | 30,403 | 6,08,054 | PUC |

**Import Data from DGCIS [All Countries PUC]
Apr 2009 to Jun 2012**

| Year | Date | Country | ITC-HS | Item-Des | Quantity (MT) | Price (Rs./MT) | Value (Rs) | PUC/ NPUC |
|---------|----------|----------------|----------|---|---------------|----------------|------------|--------------|
| 2009-10 | 20091229 | CHINA P RP | 73043939 | HYDRAULIC CYLINDER HONED TUBE - 105*90 | 19.45 | 91,604 | 17,81,429 | PUC |
| 2009-10 | 20091231 | ARGENTINA | 73043939 | SEAMLESS STEEL PIPES (JIS G3429 DS 202) O.D 267.00 MM XWT. 6.00 MM (ALLOY STEEL | 19.00 | 55,627 | 10,56,918 | PUC |
| 2009-10 | 20091208 | CHINA P RP | 73043119 | SPHERODIZED ANNEALED SAE52100 SEAMLESS COLD DRAWN TUBES OD/WALL THICKNESS 30.87 | 19.00 | 59,862 | 11,37,371 | PUC |
| 2009-10 | 20091217 | CHINA P RP | 73042990 | SEAMLESS STEEL PIPE ASTM A106/API 5L/A53 GRB 355.6X15.09 | 19.00 | 48,226 | 9,16,294 | PUC |
| 2009-10 | 20091229 | CHINA P RP | 73043931 | 73043931 PIPES (CARBON STEEL)OD.88.9X11.13X6000 | 19.00 | 40,175 | 7,63,318 | PUC |
| 2009-10 | 20091204 | CHINA P RP | 73043119 | CARBON STEEL SEAMLESS TUBES AS PER BS:3059 PART-II,GR.360 &GR.440 76.1X4X3.422M | 19.00 | 33,344 | 6,33,539 | PUC |
| 2009-10 | 20091226 | CHINA P RP | 73043919 | CARBON STEEL SEAMLESS TUBES TO DIN 2391 ST 30 AI(FULLY KILLED STEEL)16.00 X 1.5 | 18.78 | 42,696 | 8,01,882 | PUC |
| 2009-10 | 20091216 | JAPAN | 73049000 | SEAMLESS ALLOY STEEL TUBES JIS G3441 SCM415TK 34.00MM OD X 26.00MM ID X 5M | 18.09 | 1,23,565 | 22,35,298 | PUC |
| 2009-10 | 20091214 | CHINA P RP | 73043119 | SPHERODIZED ANNEALED SAE52100 SEAMLESS COLD DRAWN TUBES OD.WALL THICKNESS 38. | 18.00 | 59,400 | 10,69,199 | PUC |
| 2009-10 | 20091210 | CHINA P RP | 73049000 | SUPPLY OF ASTM A 106 GRADE B SEAMLESS PIPES FOR ONE SHIP (YARD 345) :- SEAMLESS | 18.00 | 54,321 | 9,77,771 | PUC |
| 2009-10 | 20091222 | GERMANY | 73045910 | BOILER QUALITY SEAMLESS ALLOY STEEL TUBES47,630X10,000MM | 17.00 | 2,62,452 | 44,61,681 | PUC |
| 2009-10 | 20091217 | CHINA P RP | 73045110 | SEAMLESS STEEL TUBES GRADE SAE52100 70MMX54MMX8 MM(43 PCS) | 17.00 | 70,559 | 11,99,504 | PUC |
| 2009-10 | 20091203 | CHINA P RP | 73049000 | CARBON STEEL SEAMLESS PIPES API 5L/ASTM A106 GRADE B STOCK LOT | 17.00 | 24,834 | 4,22,179 | PUC |
| 2009-10 | 20091224 | CHINA P RP | 73043139 | COLD DRAWN SEAMLESS TUBES (OD 267 X ID 224.5MM) | 16.77 | 79,119 | 13,26,992 | PUC |
| 2009-10 | 20091209 | CHINA P RP | 73043119 | SKIVED AND BURNISHED TUBES (ID 100MMX OD 112MM) | 16.60 | 74,441 | 12,35,726 | PUC |
| 2009-10 | 20091221 | CHINA P RP | 73045110 | STEEL TUBE DIA4.76X0.55MM WITH ZINC COATED(CAPTIVE CONSUMTION) | 15.71 | 65,063 | 10,22,072 | PUC |
| 2009-10 | 20091223 | CHINA P RP | 73049000 | CARBON STEEL SEAMLESS PIPES AS PER ASTM A 210 GR.A1 | 15.60 | 25,712 | 4,01,192 | PUC |
| 2009-10 | 20091228 | CHINA P RP | 73049000 | SEAMLESS CARBON STEEL PIPES | 14.00 | 38,346 | 5,36,840 | PUC |
| 2009-10 | 20091230 | MEXICO | 73042990 | SEAMLESS STEEL PIPES HF OIL & GAS | 13.16 | 2,01,322 | 26,48,397 | PUC |
| 2009-10 | 20091231 | CHINA P RP | 73043911 | SEAMLESS STEEL PIPES (ASTM A106 GR.B) SIZE: 250MM | 12.83 | 44,484 | 5,70,615 | PUC |
| 2009-10 | 20091208 | CHINA P RP | 73049000 | COLD DRAWN SEAMLESS PIN STEEL TUBE SCM415H OD17.35 MM X ID 12.0MM | 11.86 | 1,16,431 | 13,81,337 | PUC |
| 2009-10 | 20091208 | JAPAN | 73049000 | COLD DRAWN SEAMLESS TUBE ITEM NO.RGPS027 18.4 (+/-0.05) X 10.5(+/-0.1)MM GRADE | 11.13 | 2,41,604 | 26,88,569 | PUC |
| 2009-10 | 20091221 | CHINA P RP | 73043939 | HYDRAULIC CYLINDER HONED TUBE - 93*80 | 11.01 | 1,03,786 | 11,43,032 | PUC |
| 2009-10 | 20091211 | CHINA P RP | 73049000 | PRIME CARBON STEEL SEAMLESS PIPES GRADE : ASTM A 106 GR.B / API5L/A53 GR.B | 10.88 | 32,632 | 3,55,096 | PUC |
| 2009-10 | 20091226 | CHINA P RP | 73049000 | CS SEAMLESS PIPES(SIZE:OD 273 X 6.35) | 10.74 | 22,098 | 2,37,230 | PUC |
| 2009-10 | 20091217 | JAPAN | 73049000 | COLD DRAWN SEAMLESS TUBE ITEM NO.RGPP929 15.4(+/-0.05) X 10.0(+/-0.1)MM GRADE | 10.48 | 2,52,408 | 26,44,229 | PUC |
| 2009-10 | 20091222 | SWEDEN | 73045120 | 808369 KANTHAL APM TUBE 26.67/20.93X1125 WITH INTERNAL END CAP [STEEL TUBE] | 10.00 | 74,150 | 7,41,502 | PUC |
| 2009-10 | 20091229 | CHINA P RP | 73041190 | SEAMLESS ALLOY STEEL PIPES GR P11 AND GR P22 SIZE OD 168.3 X 10.97-P11 | 10.00 | 84,342 | 8,43,423 | PUC |
| 2009-10 | 20091210 | CHINA P RP | 73049000 | SUPPLY OF ASTM A 106 GRADE B SEAMLESS PIPES FOR ONE SHIP (YARD 351) :- SEAMLESS | 10.00 | 52,021 | 5,20,205 | PUC |
| 2009-10 | 20091210 | CHINA P RP | 73049000 | SUPPLY OF ASTM A 106 GRADE B SEAMLESS PIPES FOR ONE SHIP (YARD 345) :- SEAMLESS | 9.00 | 49,665 | 4,46,986 | PUC |
| 2009-10 | 20091214 | CHINA P RP | 73045110 | BEARING QUALITY STEEL TUBE-GCR15-SAE-52100[SIZE:40.5*4.0MM] | 8.21 | 45,348 | 3,72,122 | PUC |
| 2009-10 | 20091210 | SAUDI ARAB | 73049000 | SECONDARY SECOND CARBON STEEL SEAMLESS/ WELDED PIPES MIXED THICKNESS MIXED LOT | 8.00 | 15,790 | 1,26,321 | PUC |
| 2009-10 | 20091210 | SAUDI ARAB | 73049000 | SECONDARY SECOND CARBON STEEL SEAMLESS/ WELDED PIPES MIXED THICKNESS MIXED LOT | 8.00 | 15,790 | 1,26,321 | PUC |
| 2009-10 | 20091208 | CHINA P RP | 73042990 | SAE 1020 SIZE 105*90 SEAMLESS STEEL TUBE LENGTH 100(USE FOR HYDROLIC CYLINDERS) | 8.00 | 56,554 | 4,52,429 | PUC |
| 2009-10 | 20091223 | CHINA P RP | 73049000 | SUPPLY OF ASTM A 106 GRADE B SEAMLESS PIPES FOR ONE SHIP (YARD 270) :- SEAMLESS | 8.00 | 55,696 | 4,45,567 | PUC |
| 2009-10 | 20091223 | CHINA P RP | 73049000 | COLD DRAWN SEAMLESS PIN STEEL TUBE SCM415H OD17.35 MM X ID 12.0MM | 7.86 | 1,15,678 | 9,08,884 | PUC |
| 2009-10 | 20091208 | BELGIUM | 73064000 | STEEL TUBES - 45.00 X 1.50 S9 (LENGTH 2240) | 7.29 | 1,22,878 | 8,95,437 | PUC |
| 2009-10 | 20091204 | CHINA P RP | 73043119 | SEAMLESS STEEL PIPES ASTM A106 GR.B/API 5L GR.B | 7.00 | 31,199 | 2,18,395 | PUC |
| 2009-10 | 20091219 | CZECH REPUBLIC | 73041910 | SEAMLESS STEEL PIPES 168,3 X 8,8 MM IN ST35.8I (FOR IG TANK) (AIR VENT & FILLI | 6.73 | 1,09,847 | 7,39,380 | PUC |
| 2009-10 | 20091221 | JAPAN | 73049000 | COLD DRAWN SEAMLESS STEEL TUBE (FOR PISTON PIN) GRADE SCM-415H (JIS G 4052 | 6.47 | 2,98,984 | 19,35,622 | PUC |
| 2009-10 | 20091222 | GERMANY | 73045910 | BOILER QUALITY SEAMLESS ALLOY STEEL TUBES51,000X11,000MM | 6.00 | 1,51,652 | 9,09,910 | PUC |

**Import Data from DGCIS [All Countries PUC]
Apr 2009 to Jun 2012**

| Year | Date | Country | ITC-HS | Item-Des | Quantity (MT) | Price (Rs./MT) | Value (Rs) | PUC/ NPUC |
|---------|----------|-------------|----------|---|---------------|----------------|------------|--------------|
| 2009-10 | 20091226 | NETHERLAND | 73041910 | SEAMLESS PIPES - UNS NO6625,H2 SERV,B36, ASME / ASTM SB 444 SIZE :- 4 INCH X S | 6.00 | 95,816 | 5,74,898 | PUC |
| 2009-10 | 20091207 | JAPAN | 73049000 | COLD DRAWN SEAMLESS STEEL TUBE (FOR PISTON PIN) (GRADE SCM-4 15H (JIS) (O.D.1 | 6.00 | 2,67,596 | 16,04,506 | PUC |
| 2009-10 | 20091201 | CHINA P RP | 73049000 | COLD DRAWN SEAMLESS PIN STEEL TUBE SCM415H OD17.35MM X ID12.0MM | 5.90 | 1,15,678 | 6,82,039 | PUC |
| 2009-10 | 20091201 | CHINA P RP | 73043119 | CS SEAMLESS U TUBES AS PER SA 179 - OD 19.05 X WT 2.108 (MIN) R = 28.575 ~ 48 | 5.29 | 1,17,404 | 6,21,301 | PUC |
| 2009-10 | 20091208 | RUSSIA | 73041190 | COLD DRAWN SEAMLESS TUBE P/N.14162-79 (OD 1.6MM X0.16MM THICK) | 5.25 | 61,336 | 3,22,014 | PUC |
| 2009-10 | 20091223 | GERMANY | 73049000 | SEAMLESS ALLOY STEEL BOILER, SUPER HEATER AND HEATER XCHANGER TUBES 44.500X5.00 | 5.17 | 1,42,027 | 7,34,904 | PUC |
| 2009-10 | 20091228 | U S A | 73049000 | CARBON STEEL SECONDARY PIPES | 5.00 | 27,349 | 1,36,744 | PUC |
| 2009-10 | 20091226 | CHINA P RP | 73049000 | CS SEAMLESS PIPES(SIZE:OD 60.3 X 3.91) | 4.99 | 33,910 | 1,69,139 | PUC |
| 2009-10 | 20091214 | U S A | 73049000 | TUBE SMLS EO STEEL ST.37.4 6MTR LG R28X2.5M | 4.95 | 1,57,699 | 7,81,248 | PUC |
| 2009-10 | 20091218 | CHINA P RP | 73049000 | C. HIGH PRESSURE PIPES (SEAMLESS PIPES) (SIZE:OD48.3 X5.08)-300010197 | 4.61 | 36,268 | 1,67,174 | PUC |
| 2009-10 | 20091203 | JAPAN | 73049000 | COLD DRAWN SEAMLESS STEEL TUBE ITEM NO. FRGPP925 O.D13.40MM X I.D. 9.00MM G | 4.07 | 2,95,341 | 12,02,039 | PUC |
| 2009-10 | 20091226 | NETHERLAND | 73041910 | SEAMLESS PIPES - UNS NO6625,H2 SERV,B36, ASME / ASTM SB 444 SIZE :- 3/4 INCH X | 4.00 | 19,229 | 76,915 | PUC |
| 2009-10 | 20091226 | CHINA P RP | 73049000 | CARBON STEEL PIPES AS PER ASTM A 106 GR.B.5 TO 5.8 METER LENGTH | 4.00 | 28,550 | 1,14,199 | PUC |
| 2009-10 | 20091226 | CHINA P RP | 73043919 | CARBON STEEL SEAMLESS TUBES TO DIN 2391 ST 30 Al(FULLY KILLED STEEL)16.00 X 1.5 | 3.84 | 51,430 | 1,97,389 | PUC |
| 2009-10 | 20091210 | U S A | 73043129 | COLD DRAWN SEAMLESS STEEL TUBES (FOR MFG.OF HYDRAULIC CYLINDERS) 10.750 ODX7.43 | 3.32 | 1,21,380 | 4,02,980 | PUC |
| 2009-10 | 20091204 | JAPAN | 73049000 | STEEL TUBE (TSWZ13F HPC 10.0X0.7X1285MM (35/35)(11009C01.285) | 3.00 | 1,22,066 | 3,66,199 | PUC |
| 2009-10 | 20091230 | NETHERLAND | 73049000 | ET-25.4-15.00 UV-590-90 SOLID ETALON OF DIMENSIONS 25.4MM DIAMETER, 15MM THICKN | 3.00 | 1,19,719 | 3,59,157 | PUC |
| 2009-10 | 20091223 | CHINA P RP | 73049000 | HOT FINISHED C.S. SEAMLESS TUBES [101.2MM X 50.8MM X 6.35MM X 6.15M X 16] | 3.00 | 90,680 | 2,72,039 | PUC |
| 2009-10 | 20091204 | CHINA P RP | 73043119 | CARBON STEEL SEAMLESS TUBES AS PER BS:3059 PART-II,GR.360 &GR.440 63.5X3.66X5.5 | 3.00 | 43,765 | 1,31,294 | PUC |
| 2009-10 | 20091218 | CHINA P RP | 73043129 | COLD DRAWN SEAMLESS STEEL TUBES FOR HYDRAULIC CYLINDER USE (140X125MMX4-6M) | 2.94 | 1,21,567 | 3,57,637 | PUC |
| 2009-10 | 20091230 | TAIWAN | 73042990 | HONED TUBE WITH O.D HARD CHROME PLATE ST52.3 DIA 50MM*60MM*1167MM | 2.40 | 1,00,991 | 2,42,379 | PUC |
| 2009-10 | 20091224 | CHINA P RP | 73049000 | SUPPLY OF ASTM A 106 GRADE B SEAMLESS PIPES FOR ONE SHIP (YARD 270) :- SEAMLESS | 2.00 | 60,282 | 1,20,564 | PUC |
| 2009-10 | 20091230 | CHINA P RP | 73061919 | PIPES - OD 114.3 X 8.56 - P121917Z11319ZZZ | 1.56 | 28,322 | 44,270 | PUC |
| 2009-10 | 20091202 | CHINA P RP | 73042390 | PLAIN END SEAMLESS PIPES 4 OD [1.99563 MTS=90.63 METERS=7 PCS] | 1.45 | 72,892 | 1,05,424 | PUC |
| 2009-10 | 20091204 | GERMANY | 73043911 | CUT PIECES OF M.S PIPE BORE DIA 54MM,202 MM LONG | 1.40 | 75,738 | 1,05,806 | PUC |
| 2009-10 | 20091208 | CHINA P RP | 73043119 | SEAMLESS CARBON & ALLOY STEEL PIPES . OD33.4 X 6.35 X RL OF 10-12 MTR (1.271 MT | 1.27 | 1,23,843 | 1,57,435 | PUC |
| 2009-10 | 20091214 | ITALY | 73043911 | SDINPSNA00000C0001 SMLS STEEL PIPES HF ACC TO: INPS TS 770 Q&T NOT APPLICABLE | 1.21 | 1,64,802 | 1,99,410 | PUC |
| 2009-10 | 20091216 | U S A | 73043129 | COLD DRAWN SEAMLESS STEEL TUBES (FOR MFG.OF HYDRAULIC CYLINDERS) 10.750 OD X | 1.15 | 1,12,102 | 1,28,357 | PUC |
| 2009-10 | 20091218 | GERMANY | 73043939 | SEAMLESS STEEL PIPE76.1 X 6.3MM IN ST35.8I | 1.00 | 2,72,588 | 2,72,588 | PUC |
| 2009-10 | 20091203 | ITALY | 73049000 | LAPPED SEAMLESS TUBE ST52 DIA. 200 X180 X 104 -DWG. KWCYL1210621 (INDUSTRIAL B | 1.00 | 74,172 | 74,172 | PUC |
| 2009-10 | 20091224 | CHINA P RP | 73049000 | SEAMLESS STEEL TUBE/IRON PIPE DIN-2391 ST 35 DIA-9.53 X THICKNESS 0.9 X LENGTH- | 1.00 | 1,92,844 | 1,92,844 | PUC |
| 2009-10 | 20091217 | CHINA P RP | 73042990 | SEAMLESS STEEL PIPE ASTM A106/API 5L/A53 GRB 355.6X15.09 | 1.00 | 44,316 | 44,316 | PUC |
| 2009-10 | 20091218 | CHINA P RP | 73043119 | CARBON STEEL SEAMLESS TUBES ASPER ASTM A106/API 5L GR.B | 1.00 | 40,537 | 40,537 | PUC |
| 2009-10 | 20091218 | CHINA P RP | 73043119 | CARBON STEEL SEAMLESS PIPES AISI 4130 | 1.00 | 40,322 | 40,322 | PUC |
| 2009-10 | 20091215 | SINGAPORE | 73042390 | ELEVATOR DRILL PIPE SIZE 6-5/8 IEU 18 DEG BJ TYPE SPL VARCO P/N 200011Y658 | 0.84 | 2,88,042 | 2,42,819 | PUC |
| 2009-10 | 20091207 | JAPAN | 73042390 | 4 SEAMLESS XXS BLACK 20 FT CARBON STEEL ASTM A-53 GRB.(OILWELL SUPPLIES FOR ON | 0.78 | 2,59,425 | 2,01,573 | PUC |
| 2009-10 | 20091215 | POLAND | 73043911 | SEAMLESS PIPE, DIN 1629 SIZE: 168.3 OD (DN 150) X 12.5MM THK. | 0.70 | 47,394 | 33,176 | PUC |
| 2009-10 | 20091217 | JAPAN | 73049000 | COLD DRAWN SEAMLESS TUBE ITEM NO.RGPP929 15.4(+/-0.05) X 10.0(+/-0.1)MM GRADE | 0.60 | 2,48,076 | 1,47,605 | PUC |
| 2009-10 | 20091201 | CHINA P RP | 73049000 | CS SEAMLESS PIPES(SIZE:OD 48.3 X 3.68) | 0.49 | 40,094 | 19,652 | PUC |
| 2009-10 | 20091207 | U ARAB EMTS | 73049000 | SECONDARY SECOND CHOICE CARBON STEEL SEAMLESS PIPE AND FITTING STOCK MIX LOT | 0.40 | 41,590 | 16,636 | PUC |
| 2009-10 | 20091208 | U S A | 73049000 | SECONDARY SECOND CHOICE CARBON STEEL SEAMLESS / WELDED PIPES STOCK LOT | 0.40 | 20,475 | 8,190 | PUC |

**Import Data from DGCIS [All Countries PUC]
Apr 2009 to Jun 2012**

| Year | Date | Country | ITC-HS | Item-Des | Quantity (MT) | Price (Rs./MT) | Value (Rs) | PUC/ NPUC |
|---------|----------|-------------|----------|---|---------------|----------------|-------------|--------------|
| 2009-10 | 20091208 | U S A | 73049000 | SECONDARY SECOND CHOICE CARBON STEEL SEAMLESS / WELDED PIPES STOCK LOT | 0.40 | 20,475 | 8,190 | PUC |
| 2009-10 | 20091215 | CHINA P RP | 73049000 | CARBON STEEL SEAMLESS TUBES | 0.40 | 35,175 | 14,070 | PUC |
| 2009-10 | 20091201 | CHINA P RP | 73049000 | CS SEAMLESS PIPES(OD 48.3 X 5.08) | 0.39 | 53,098 | 20,649 | PUC |
| 2009-10 | 20091215 | ITALY | 73049000 | COLD DRAWN SMLS TUBES(150*15*245) | 0.33 | 1,24,863 | 41,080 | PUC |
| 2009-10 | 20091217 | JAPAN | 73042390 | DRIFTER ROD SIZE 3.7 MTR(MADE OF ALLOY STEEL) | 0.32 | 1,09,569 | 35,062 | PUC |
| 2009-10 | 20091217 | JAPAN | 73042390 | EXTENSION ROD SIZE R32X3.6MTR(MADE OF ALLOY STEEL) | 0.32 | 1,09,569 | 35,062 | PUC |
| 2009-10 | 20091211 | SAUDI ARAB | 73049000 | SECONDARY SECOND CARBON STEEL SEAMLESS/ WELDED PIPES MIXED THICKNESS MIXED LOT. | 0.30 | 40,343 | 12,103 | PUC |
| 2009-10 | 20091229 | SWITZERLAND | 73049000 | NBT200001P0339 COID DRAWN SEAMLESS STEEL TUBE 32,0 X 2,0 MMST 35 BK | 0.23 | 1,17,143 | 27,060 | PUC |
| 2009-10 | 20091215 | U K | 73049000 | SECONDARY SECOND CHOICE CARBON STEEL SEAMLESS/WELDED PIPES STOCK LOT | 0.20 | 76,855 | 15,371 | PUC |
| 2009-10 | 20091214 | U K | 73049000 | SECONDARY SECOND CHOICE CARBON STEEL SEAMLESS / WELDED PIPES STOCK LOT | 0.10 | 95,010 | 9,501 | PUC |
| 2009-10 | 20091214 | U K | 73049000 | SECONDARY SECOND CHOICE CARBON STEEL SEAMLESS / WELDED PIPES STOCK LOT | 0.10 | 90,220 | 9,022 | PUC |
| 2009-10 | 20091207 | UKRAINE | 73049000 | CARBON STEEL SEAMLESS PIPES STOCK LOT MIX SIZE | 0.10 | 58,410 | 5,841 | PUC |
| 2009-10 | 20091223 | U K | 73049000 | SECONDARY SECOND CHOICE CARBON STEEL SEAMLESS / WELDED PIPES STOCK LOT | 0.10 | 39,310 | 3,931 | PUC |
| 2009-10 | 20091211 | U ARAB EMTS | 73049000 | SECONDARY SECOND CHOICE CARBON STEEL SEAMLESS / WELDED PIPES | 0.04 | 33,100 | 1,324 | PUC |
| 2009-10 | 20091231 | U ARAB EMTS | 73049000 | SECONDARY SECOND CHOICE CARBON STEEL SEAMLESS / WELDED PIPES | 0.04 | 33,100 | 1,324 | PUC |
| 2009-10 | 20091221 | U S A | 73049000 | OILWELL EQUIPMENT : TUBE, 3/8 OD X .032 WALL, NATIONAL OILWELL P/N 64699124 | 0.03 | 1,16,433 | 3,493 | PUC |
| 2009-10 | 20091217 | U ARAB EMTS | 73049000 | SECONDARY SECOND CHOICE CARBON STEEL SEAMLESS / WELDED PIPES | 0.03 | 49,633 | 1,489 | PUC |
| 2009-10 | 20091230 | GERMANY | 73049000 | SECONDARY DEFECTIVE CARBON STEEL SEAMLESS PIPES | 0.03 | 41,100 | 1,233 | PUC |
| 2009-10 | 20091215 | NETHERLAND | 73049000 | TUBE,PTFE 0.7 X 1.6MM | 0.03 | 93,480 | 2,337 | PUC |
| 2009-10 | 20091231 | U K | 73049000 | SECONDARY SECOND CHOICE CARBON STEEL SEAMLESS / WELDED PIPES STOCK LOT | 0.02 | 50,100 | 1,002 | PUC |
| 2009-10 | 20100118 | CHINA P RP | 73042310 | PLAIN END SEAMLESS COUPLING STOCK SIZE:5.000 OD X3.955 ID [13.513 MTS=358.40 M | 1,387.59 | 37,719 | 5,23,38,284 | PUC |
| 2009-10 | 20100111 | CHINA P RP | 98010013 | PROJECT SEAMLESS C/S HOLLOW(S37/33/2009)CIF.RS.45070148 | 1,110.00 | 40,604 | 4,50,70,148 | PUC |
| 2009-10 | 20100122 | CHINA P RP | 73042990 | CASING PIPES 9-5/8 , J-55, 40PPF BTC (1027 PCS), EC NO.: ECIN201001140001 DT: 1 | 695.68 | 34,250 | 2,38,27,338 | PUC |
| 2009-10 | 20100129 | CHINA P RP | 73043911 | SEAMLESS STEEL PIPES (CARBON STEEL)(37MN) SIZE: 232MM X 5.4MM | 466.00 | 42,560 | 1,98,33,062 | PUC |
| 2009-10 | 20100111 | CHINA P RP | 73043911 | 73043911 SEAMLESS CARBON STEEL HOLLOW | 410.00 | 40,696 | 1,66,85,439 | PUC |
| 2009-10 | 20100118 | CHINA P RP | 73042310 | PLAIN END SEAMLESS PIPES SIZE:3-1/2 OD [571.402 MTS=30249.70 METERS] | 396.85 | 55,727 | 2,21,15,544 | PUC |
| 2009-10 | 20100130 | CHINA P RP | 73049000 | OILWELL EQUIPMENT : 9 5/8 36# K55 BTC SMLS R3 WITH DRIFT MANDREL | 394.91 | 20,084 | 79,31,480 | PUC |
| 2009-10 | 20100111 | CHINA P RP | 73043911 | TUBES TO SPEC SA210 (CARBON STEEL)OD 38.1 X 3.60X 22000 | 346.00 | 63,007 | 2,18,00,251 | PUC |
| 2009-10 | 20100130 | CHINA P RP | 73049000 | NON ALLOY C.S.SEAMLESS PIPES ASTM A106-B/API 5L-B OD 168.3 X 14.27 X 10-12 MTR | 315.95 | 36,379 | 1,14,93,731 | PUC |
| 2009-10 | 20100129 | CHINA P RP | 73042390 | SEAMLESS STEEL CASING AS PER API 5CT (LATEST EDITION) 5 21.4 PPF P110 BTC R3 (| 305.00 | 44,430 | 1,35,51,194 | PUC |
| 2009-10 | 20100118 | GERMANY | 98010013 | 98010013 BOILER QUALITY SEAMLESS C/S TUBES(S37/33/09)CIFRS.17678693/- | 290.00 | 60,961 | 1,76,78,692 | PUC |
| 2009-10 | 20100101 | CHINA P RP | 73043911 | SEAMLESS STEEL GAS | 283.38 | 45,548 | 1,29,07,392 | PUC |
| 2009-10 | 20100128 | SINGAPORE | 73043911 | PIPES AND FITTINGS (SEAMLESS PIPE) SIZE: 193.7 MM X 10 MM | 276.13 | 11,112 | 30,68,235 | PUC |
| 2009-10 | 20100107 | ITALY | 73049000 | SECONDARY SECOND CHOICE CARBON STEEL SEAMLESS PIPES DEFECTIVE / MIX SIZES | 264.00 | 21,288 | 56,20,116 | PUC |
| 2009-10 | 20100112 | ITALY | 73049000 | SECONDARY SECOND CHOICE CARBON STEEL SEAMLESS PIPES DEFECTIVE/MIX SIZES | 260.00 | 21,289 | 55,35,146 | PUC |
| 2009-10 | 20100111 | CHINA P RP | 73049000 | CARBON STEEL SEAMLESS PIPES ASTM A106 GRADE B/API 5L GRADE B STOCK LOT | 241.00 | 24,976 | 60,19,260 | PUC |
| 2009-10 | 20100128 | CHINA P RP | 73045930 | SEAMLESS STEEL GAS CYLINDER TUBE 232MM X 5.4MM | 232.00 | 43,992 | 1,02,06,035 | PUC |
| 2009-10 | 20100128 | CHINA P RP | 73045930 | SEAMLESS STEEL GAS CYLINDER TUBE 232MM X 5.4MM | 232.00 | 43,697 | 1,01,37,810 | PUC |
| 2009-10 | 20100115 | CHINA P RP | 73042990 | CASING PIPES 9-5/8 , J-55, 40PPF BTC (342 PCS), EC NO.: ECIN201001110004 DT: 11 | 231.82 | 34,249 | 79,39,552 | PUC |
| 2009-10 | 20100116 | CHINA P RP | 73043911 | SEAMLESS STEEL PIPES (JIS-G-3429-88 34CRM04) SIZE: 232MM X 5.4MM (ALLOY STEEL) | 230.00 | 46,575 | 1,07,12,222 | PUC |
| 2009-10 | 20100111 | ITALY | 73043911 | COLD DRAWN SEAMLESS STEEL TUBES 156.00X13.00X5750.00E355 | 221.24 | 42,359 | 93,71,323 | PUC |

**Import Data from DGCIS [All Countries PUC]
Apr 2009 to Jun 2012**

| Year | Date | Country | ITC-HS | Item-Des | Quantity (MT) | Price (Rs./MT) | Value (Rs) | PUC/ NPUC |
|---------|----------|-------------|----------|--|---------------|----------------|-------------|--------------|
| 2009-10 | 20100113 | CHINA P RP | 73049000 | HOT FINISHED SEAMLESS TUBE GRADE 37 MN | 221.00 | 48,192 | 1,06,50,416 | PUC |
| 2009-10 | 20100120 | CHINA P RP | 73043939 | SEAMLESS STEEL CYLINDER PIPES (34CRM04) SIZE:232MM X 5.4MM ((ALLOY STEEL) | 211.00 | 46,484 | 98,08,062 | PUC |
| 2009-10 | 20100121 | GERMANY | 73049000 | SECONDARY DEFECTIVE CARBON STEEL SEAMLESS PIPES | 205.00 | 24,486 | 50,19,720 | PUC |
| 2009-10 | 20100128 | CHINA P RP | 73044900 | COLD DRAWN STEEL SEAMLESS TUBES ASTM A106GR B/API 5L GR B END SIZE 55MM OD X 4. | 202.24 | 34,078 | 68,92,016 | PUC |
| 2009-10 | 20100101 | GERMANY | 73045930 | ALLOY STEEL PIPES AS PER GR.ASTM A 691 GR 11 / 4 CR CLASS 42,SERVICE IBR SIZE 4 | 200.00 | 73,235 | 1,46,46,927 | PUC |
| 2009-10 | 20100113 | CHINA P RP | 73043119 | SEAMLESS ALLOY & CARBON STEEL PIPES AND TUBES.OD.44.5 X 5 X RL OF 10-12MTR (GRA | 199.87 | 44,874 | 89,68,867 | PUC |
| 2009-10 | 20100111 | CHINA P RP | 73049000 | PRIME CARBON STEEL SEAMLESS PIPES GRADE : ASTM A 106 GR.B / API5L GR.B | 184.45 | 33,053 | 60,96,484 | PUC |
| 2009-10 | 20100106 | CHINA P RP | 73049000 | PRIME SEAMLESS STEEL BLACK PIPES GRADE : API5L/ASTM A106/A53 GR.B | 167.00 | 33,868 | 56,56,030 | PUC |
| 2009-10 | 20100127 | GERMANY | 73049000 | SEAMLESS STEEL TUBES (R 08 X 1.571) | 162.00 | 522 | 84,564 | PUC |
| 2009-10 | 20100111 | CHINA P RP | 73049000 | CARBON STEEL SEAMLESS HOT FINISHED MOTHER PIPES ASTM A 106 GR.B / API 5L / A53 S | 158.00 | 37,231 | 58,82,453 | PUC |
| 2009-10 | 20100107 | CHINA P RP | 73041110 | HOT FINISHED SEAMLESS STEEL TUBES JIS G3429 SIZE OD 325 MM X 7.5 MM X 1115 | 157.00 | 47,287 | 74,24,052 | PUC |
| 2009-10 | 20100122 | GERMANY | 73049000 | CARBON STEEL SEAMLESS PIPES (M.S.)SECONDARY/DEFECTIVE | 156.00 | 18,962 | 29,58,024 | PUC |
| 2009-10 | 20100116 | CHINA P RP | 73043911 | CARBON STEEL SEAMLESS MOTHER PIPE (HOT FINISHED)OD 26 X W.T 2.7 X LT 11.525 | 150.00 | 40,494 | 60,74,062 | PUC |
| 2009-10 | 20100113 | CHINA P RP | 73049000 | COLD DRAWN SEAMLESS PIPES ASTM A106 GRADE B. | 148.00 | 29,196 | 43,21,068 | PUC |
| 2009-10 | 20100122 | CHINA P RP | 73049000 | CARBON STEEL SEAMLESS PIPES API 5L/ASTM A106 GR.B STOCK LOT | 142.00 | 25,218 | 35,80,891 | PUC |
| 2009-10 | 20100120 | CHINA P RP | 73049000 | HONED TUBES 200 X 230 MM | 139.47 | 11,190 | 15,60,631 | PUC |
| 2009-10 | 20100111 | U K | 73049000 | SECONDRY DEFECTIVE NON ALLOY STEEL BRIGHT BARS | 138.00 | 21,619 | 29,83,426 | PUC |
| 2009-10 | 20100119 | GERMANY | 73049000 | SECONDARY/DEFECTIVE CARBON STEEL SEAMLESS PIPES | 134.00 | 23,784 | 31,87,074 | PUC |
| 2009-10 | 20100118 | SAUDI ARAB | 73049000 | SECONDARY SECOND CARBON STEEL SEAMLESS/ WELDED PIPES, MIXED THICKNESS MIXED LOT | 130.00 | 16,764 | 21,79,312 | PUC |
| 2009-10 | 20100107 | ITALY | 73049000 | SECONDARY SECOND CHOICE CARBON STEEL SEAMLESS PIPES DEFECTIVE / MIX SIZES | 129.00 | 21,384 | 27,58,562 | PUC |
| 2009-10 | 20100113 | U ARAB EMTS | 73049000 | M.S.SECONDARY DEFECTIVE PIPES | 128.00 | 16,755 | 21,44,697 | PUC |
| 2009-10 | 20100112 | U ARAB EMTS | 73049000 | SECONDARY SECOND CHOICE CARBON STEEL SEAMLESS PIPE | 127.00 | 21,856 | 27,75,727 | PUC |
| 2009-10 | 20100116 | CHINA P RP | 73041190 | CARBON STEEL SEAMLESS PIPE ASTM A53 GRADE B FOR ONE SHIP(Y-308) 321MTR, OD 88.9 | 127.00 | 49,510 | 62,87,810 | PUC |
| 2009-10 | 20100119 | U S A | 73041190 | SECODNARY/DEFECTIVE STEEL PIPES | 125.00 | 23,719 | 29,64,909 | PUC |
| 2009-10 | 20100116 | CHINA P RP | 73041190 | CARBON STEEL SEAMLESS PIPE ASTM A53 GRADE B FOR ONE SHIP(Y-309) 299 MTR, OD 88. | 124.00 | 49,429 | 61,29,244 | PUC |
| 2009-10 | 20100107 | CHINA P RP | 73043119 | COLD DRAWN SEAMLESS STEEL TUBES AS PER DIN STD 2391 50 MM | 122.00 | 46,498 | 56,72,723 | PUC |
| 2009-10 | 20100116 | CHINA P RP | 73049000 | PRIME CARBON STEEL SEAMLESS PIPES GRADE : ASTM A 106 GR.B / API5L GR.B | 122.00 | 33,347 | 40,68,349 | PUC |
| 2009-10 | 20100128 | CHINA P RP | 73043119 | CARBON STEEL SEAMLESS PIPES TO ASTM A106 GR.B SIZE 82.5*10*5800MM | 116.00 | 30,531 | 35,41,558 | PUC |
| 2009-10 | 20100111 | CHINA P RP | 73049000 | CARBON STEEL SEAMLESS PIPE AS PER ASTM A 106 GR.B | 114.00 | 26,167 | 29,83,064 | PUC |
| 2009-10 | 20100102 | SAUDI ARAB | 73049000 | SECONDARY SECOND CARBON STEEL SEAMLESS/ WELDED PIPES & PIPE FITTINGS MIXED THIC | 109.00 | 16,782 | 18,29,291 | PUC |
| 2009-10 | 20100106 | U ARAB EMTS | 73049000 | CARBON STEEL SEAMLESS PIPES (SECONDARY/DEFECTIVE) | 107.00 | 22,309 | 23,87,095 | PUC |
| 2009-10 | 20100118 | U ARAB EMTS | 73049000 | CARBON STEEL SEAMLESS PIPES SECONDARY/DEFECTIVE | 106.00 | 22,546 | 23,89,918 | PUC |
| 2009-10 | 20100129 | U ARAB EMTS | 73049000 | CARBON STEEL SEAMLESS PIPES SECONDARY/DEFECTIVE | 105.00 | 21,811 | 22,90,122 | PUC |
| 2009-10 | 20100112 | CHINA P RP | 73042310 | PLAIN END SEAMLESS PIPES AISI 1340 [OD 139.7XWT31.75XLENGTH8230] MM[105.576MTS= | 104.34 | 47,759 | 49,83,187 | PUC |
| 2009-10 | 20100129 | U ARAB EMTS | 73049000 | CARBON STEEL SEAMLESS PIPES (SECONDARY/DEFECTIVE) | 104.00 | 21,853 | 22,72,747 | PUC |
| 2009-10 | 20100120 | CHINA P RP | 73043919 | CARBON STEEL SEAMLESS PIPES OD 32MM W.T.2.8MM LENGTH 11.6-11.8M | 104.00 | 37,739 | 39,24,903 | PUC |
| 2009-10 | 20100107 | KOREA RP | 73049000 | ERW (M.S) STEEL PIPE & TUBE TO ASTM A500 GR. B OR JISG3466 STKR400 SIZE 100 X 1 | 103.00 | 21,936 | 22,59,371 | PUC |
| 2009-10 | 20100116 | CHINA P RP | 73045910 | COLD DRAWN SEAMLESS ALLOY STEEL TUBES 44.45MM X 4.06MM X 11000MM | 101.99 | 78,823 | 80,39,534 | PUC |
| 2009-10 | 20100107 | CHINA P RP | 73043919 | CARBON STEEL SEAMLESS HOT FINISHED MOTHER PIPES GRADE DIN 17175 ST.35.8 , SIZE | 101.00 | 39,941 | 40,34,065 | PUC |
| 2009-10 | 20100108 | CHINA P RP | 73044900 | COLD DRAWN STEEL SEAMLESS TUBES ASTM A106GR SIZE 55MM OD X 4.35MM WALL THK MIN | 100.24 | 34,078 | 34,16,018 | PUC |
| 2009-10 | 20100114 | SWEDEN | 73045110 | SECONDARY AND DEFECTIVE SEAMLESS STEEL TUBES, GRADE: 100CR6 THICK XWIDTHXLENGTH | 100.00 | 30,428 | 30,42,795 | PUC |

**Import Data from DGCIS [All Countries PUC]
Apr 2009 to Jun 2012**

| Year | Date | Country | ITC-HS | Item-Des | Quantity (MT) | Price (Rs./MT) | Value (Rs) | PUC/ NPUC |
|---------|----------|-------------|----------|---|---------------|----------------|-------------|--------------|
| 2009-10 | 20100113 | CHINA P RP | 73049000 | HOT FINISHED SEAMLESS TUBE GRADE 34 CRM04 | 100.00 | 54,256 | 54,25,559 | PUC |
| 2009-10 | 20100106 | U ARAB EMTS | 73049000 | SECONDARY/DEFECTIVE CARBON STEEL SEAMLESS PIPES | 99.00 | 21,919 | 21,70,023 | PUC |
| 2009-10 | 20100129 | CHINA P RP | 73069090 | BEARING SEAMLESS STEEL TUBES - 6301IR (19 BDL) | 97.40 | 57,739 | 56,23,802 | PUC |
| 2009-10 | 20100121 | CHINA P RP | 73043919 | CARBON STEEL SEAMLESS TUBES O.D.MM 25,W.T.2.5MM LENGTH METER 10.6-11.8 | 96.00 | 38,052 | 36,52,981 | PUC |
| 2009-10 | 20100127 | GERMANY | 73061921 | SEAMLESS ALLOY STEEL - PIPES B - 36.10 ASTM A 691 GR 5 CR CL.42 BE E.FS.W U | 93.79 | 4,13,210 | 3,87,53,879 | PUC |
| 2009-10 | 20100127 | CHINA P RP | 73042990 | DRILL PIPE 2-7/8 OD, EU, G-105, 10.4PPF, TJOD 4-1/2 /"D-2, TAPER 18 DEG DRILL | 92.77 | 1,68,869 | 1,56,65,375 | PUC |
| 2009-10 | 20100111 | U ARAB EMTS | 73049000 | SECONDARY DEFECTIVE CARBON STEEL PIPES MIXED LOT. | 91.00 | 16,862 | 15,34,432 | PUC |
| 2009-10 | 20100112 | CHINA P RP | 73042390 | DRILL PIPE,5 G-105 GD,R-II,19.5PPF. | 88.99 | 1,56,575 | 1,39,33,767 | PUC |
| 2009-10 | 20100122 | CHINA P RP | 73049000 | CS SEAMLESS PIPES (SIZE : OD 273 X 9.27) | 86.07 | 4,824 | 4,15,192 | PUC |
| 2009-10 | 20100108 | U K | 73049000 | SECONDARY SURPLUS CARBON STEEL SEAMLESS PIPE. | 85.00 | 21,779 | 18,51,209 | PUC |
| 2009-10 | 20100104 | GERMANY | 73041190 | SEAMLESS STEEL TUBES-EX STOCK (35.0 X 6.3 MM,57.0 X 4.0 MM,44.5 X 5.0 MM,44.5 X | 84.37 | 44,746 | 37,75,097 | PUC |
| 2009-10 | 20100108 | CHINA P RP | 73041110 | SEAMLESS STEEL PIPE ASTM A106 GRADE B 38MM OD X 12MM THK X5.4 MTRS LONG (FOR US | 83.00 | 33,968 | 28,19,308 | PUC |
| 2009-10 | 20100106 | U ARAB EMTS | 73049000 | CARBON STEEL SEAMLESS PIPES (SECONDARY / DEFECTIVE) | 81.00 | 22,373 | 18,12,252 | PUC |
| 2009-10 | 20100116 | CHINA P RP | 73045910 | COLD DRAWN SEAMLESS ALLOY STEEL TUBES 38.10MM X 4.50MM X 11000MM | 80.93 | 86,740 | 70,20,015 | PUC |
| 2009-10 | 20100122 | JAPAN | 73045110 | HOT FINISHED CARBON STEEL PIPES - GRADE:ASME SA106B, BEVEL ENDS ODXWTLXLENGTH | 79.00 | 69,332 | 54,77,253 | PUC |
| 2009-10 | 20100118 | U ARAB EMTS | 73049000 | CARBON STEEL SEAMLESS PIPES SECONDARY/DEFECTIVE | 79.00 | 22,610 | 17,86,175 | PUC |
| 2009-10 | 20100129 | U S A | 73049000 | SECONDARY CARBON STEEL PIPES SEAMLESS | 78.00 | 20,761 | 16,19,370 | PUC |
| 2009-10 | 20100118 | U ARAB EMTS | 73049000 | CARBON STEEL SEAMLESS PIPES (SECONDARY/DEFECTIVE) | 75.00 | 22,572 | 16,92,896 | PUC |
| 2009-10 | 20100119 | CANADA | 73049000 | SECONDARY SURPLUS CARBON STEEL SEAMLESS PIPES | 74.00 | 21,964 | 16,25,346 | PUC |
| 2009-10 | 20100111 | U ARAB EMTS | 73049000 | SECONDARY/DEFECTIVE CARBON STEEL SEAMLESS PIPES | 74.00 | 21,864 | 16,17,962 | PUC |
| 2009-10 | 20100115 | U K | 73042390 | PROCUREMENT OF DRILL PIPES 5 G-105 GD,R-II,19.5 PPF/2512.160 METERS =97.129 MT | 72.89 | 1,93,170 | 1,40,79,834 | PUC |
| 2009-10 | 20100128 | CHINA P RP | 73043119 | SEAMLESS CARBON STEEL PIPES AS PER ASTM106 GRB SIZE 3 *SCH80*5800MM | 72.00 | 30,888 | 22,23,925 | PUC |
| 2009-10 | 20100121 | CHINA P RP | 73042390 | DRILL PIPE 5 19.5PPF S-135 R/H IEU | 71.01 | 1,47,972 | 1,05,08,018 | PUC |
| 2009-10 | 20100105 | CHINA P RP | 73042990 | DRILL PIPE, 5 G-105 GD, R-II, 19.5 PPF (221 PCS), EC NO.: ECIN200912210023 DT: | 70.80 | 1,56,541 | 1,10,82,890 | PUC |
| 2009-10 | 20100112 | ITALY | 73049000 | CARBON STEEL SECONDARY DEFECTIVE SEAMLESS PIPES, | 69.00 | 24,403 | 16,83,781 | PUC |
| 2009-10 | 20100113 | CHINA P RP | 73041110 | SEAMLESS CARBON STEEL TUBES SA 210 GRA 1 50.8X6.0MMX11000MM | 68.00 | 45,539 | 30,96,648 | PUC |
| 2009-10 | 20100125 | CHINA P RP | 73041990 | CARBON STEEL SEAMLESS PIPES SIZE:101.6*10*5800MM | 67.00 | 30,494 | 20,43,111 | PUC |
| 2009-10 | 20100115 | CHINA P RP | 73045110 | BEARING QUALITY STEEL TUBE SAE 52100 SIZE:62.16 X 49.65 MM | 65.07 | 47,894 | 31,16,448 | PUC |
| 2009-10 | 20100120 | U ARAB EMTS | 73049000 | CARBON STEEL PIPES (SECONDARY/DEFECTIVE) SEAMLESS PIPES | 64.00 | 22,603 | 14,46,612 | PUC |
| 2009-10 | 20100113 | FRANCE | 73049000 | HOT FINISHED SEAMLESS STEEL TUBES ASME SA 210, GR.C (OD44.5MM X WT8MM X L 8285 | 62.00 | 91,052 | 56,45,222 | PUC |
| 2009-10 | 20100112 | CHINA P RP | 73041190 | CARBON STEEL SEAMLESS PIPE ASTM 106 GRADE B FOR ONE SHIP(Y-330) 93 MTR, OD 355. | 62.00 | 40,958 | 25,39,369 | PUC |
| 2009-10 | 20100109 | CHINA P RP | 73041190 | CARBON STEEL SEAMLESS PIPE ASTM 106 GRADE B FOR ONE SHIP (Y 329) 54 MTR, OD 457 | 62.00 | 39,350 | 24,39,707 | PUC |
| 2009-10 | 20100127 | CHINA P RP | 73042990 | DRILL PIPE 2-7/8 EU, LH, 10.4#, G-105, R-II TOOL JOINT, 2.7/8 API IF (NC-31) | 61.84 | 1,66,772 | 1,03,13,039 | PUC |
| 2009-10 | 20100106 | U S A | 73049000 | CARBON STEEL SEAMLESS PIPE SECONDARY SECOND CHOICE | 61.00 | 28,997 | 17,68,808 | PUC |
| 2009-10 | 20100111 | CHINA P RP | 73044900 | SEAMLESS ALLOY STEEL TUBES - T-11/T22-44.50MX5MMX6100MM | 61.00 | 93,526 | 57,05,112 | PUC |
| 2009-10 | 20100101 | ITALY | 73043911 | COLD DRAWN SEAMLESS STEEL TUBE-128.00X9.00X5710.00E355 | 60.32 | 76,930 | 46,40,446 | PUC |
| 2009-10 | 20100116 | CHINA P RP | 73045910 | COLD DRAWN SEAMLESS ALLOY STEEL TUBES 50.80MM X 4.06MM X 11000MM | 57.44 | 86,951 | 49,94,599 | PUC |
| 2009-10 | 20100107 | CONGO P REP | 73042990 | SECONDRY CARBON STEEL PIPE M.S. (SEEMLESS) (PRE-SHIPMENT INSPECTION CERTIFICATE | 55.00 | 24,607 | 13,53,371 | PUC |
| 2009-10 | 20100119 | OMAN | 73049000 | SECONDARY DEFECTIVE CARBON STEEL SEAMLESS PIPES | 55.00 | 21,804 | 11,99,246 | PUC |
| 2009-10 | 20100119 | KUWAIT | 73049000 | SECONDARY CARBON STEEL PIPE SEAMLESS | 55.00 | 21,769 | 11,97,292 | PUC |
| 2009-10 | 20100108 | CANADA | 73049000 | SECONDARY/DEFECTIVE M.S. PIPE OF MIX SIZE | 54.00 | 17,298 | 9,34,077 | PUC |

**Import Data from DGCIS [All Countries PUC]
Apr 2009 to Jun 2012**

| Year | Date | Country | ITC-HS | Item-Des | Quantity (MT) | Price (Rs./MT) | Value (Rs) | PUC/ NPUC |
|---------|----------|-------------|----------|--|---------------|----------------|-------------|--------------|
| 2009-10 | 20100106 | U ARAB EMTS | 73049000 | CARBON STEEL SEAMLESS PIPES (SECONDARY/DEFECTIVE) | 53.00 | 22,315 | 11,82,693 | PUC |
| 2009-10 | 20100120 | U K | 73049000 | SECONDARY SURPLUS CARBON STEEL SEAMLESS PIPES. | 52.00 | 21,691 | 11,27,920 | PUC |
| 2009-10 | 20100118 | U ARAB EMTS | 73049000 | CARBON STEEL SEAMLESS PIPES (SECONDARY/DEFECTIVE) | 51.00 | 22,562 | 11,50,668 | PUC |
| 2009-10 | 20100107 | U K | 73049000 | SECONDARY SURPLUS CARBON STEEL SEAMLESS PIPES | 51.00 | 22,050 | 11,24,538 | PUC |
| 2009-10 | 20100105 | U K | 73049000 | SECONDARY SECOND CHOICE CARBON STEEL SEAMLESS / WELDED PIPES STOCK LOT | 51.00 | 16,798 | 8,56,677 | PUC |
| 2009-10 | 20100111 | FRANCE | 73043911 | CARBON STEEL PIPE/TUBE (SECONDARY/DEFECTIVE) | 50.00 | 25,954 | 12,97,708 | PUC |
| 2009-10 | 20100119 | RUSSIA | 73049000 | SECONDARY SECOND CHOICE CARBON STEEL SEAMLESS / WELDED PIPES STOCK LOT | 50.00 | 16,538 | 8,26,908 | PUC |
| 2009-10 | 20100113 | U S A | 73049000 | SECONDARY DEFECTIVE NON ALLOY STEEL BRIGHT BARS IN ROUND & HEX | 49.00 | 24,084 | 11,80,114 | PUC |
| 2009-10 | 20100128 | KUWAIT | 73049000 | SECONDARY CARBON STEEL PIPES SEAMLESS | 48.00 | 18,270 | 8,76,968 | PUC |
| 2009-10 | 20100129 | CHINA P RP | 73043119 | CARBON STEEL SEAMLESS TUBES AS PER ASTM A106 GR.B/API 5L GR.B 33.4*3.38*5800 | 48.00 | 33,380 | 16,02,236 | PUC |
| 2009-10 | 20100107 | CHINA P RP | 73041110 | MS SEAMLESS TUBE/SEAMLESS PIPE-SIZE:60.3MMX5.54MMX5.8 MTR | 48.00 | 23,855 | 11,45,053 | PUC |
| 2009-10 | 20100115 | CHINA P RP | 73049000 | FRONT FORK INNER TUBE FOR SHOCK ABSORBERS SIZE 30.25 * 3.15 * 543 MM | 47.87 | 61,336 | 29,36,027 | PUC |
| 2009-10 | 20100130 | U S A | 98010013 | PROJECT PIPES (CARBON STEEL)(S37/33/2009)CIF.RS.6860520 | 46.00 | 1,49,142 | 68,60,520 | PUC |
| 2009-10 | 20100118 | CHINA P RP | 73041190 | CARBON STEEL SEAMLESS PIPES 219.1X12.7 | 46.00 | 36,084 | 16,59,872 | PUC |
| 2009-10 | 20100106 | KUWAIT | 73049000 | SECONDARY CARBON STEEL PIPES SEAMLESS | 45.00 | 21,484 | 9,66,768 | PUC |
| 2009-10 | 20100111 | AUSTRALIA | 73049000 | SECONDARY SECOND CHOICE CARBON STEEL SEAMLESS / WELDED PIPES STOCK LOT | 45.00 | 16,722 | 7,52,487 | PUC |
| 2009-10 | 20100120 | CHINA P RP | 73049000 | CARBON STEEL SEAMLESS PIPES ASTM A106 GR.B/API 5L GR.B/A53 GR.B | 45.00 | 32,162 | 14,47,305 | PUC |
| 2009-10 | 20100119 | CHINA P RP | 73049000 | SEAMLESS CARBON STEEL PIPES API 5L/ ASTM A106 GR.B STOCK LOT | 45.00 | 25,826 | 11,62,162 | PUC |
| 2009-10 | 20100111 | U ARAB EMTS | 73049000 | SECONDARY DEFECTIVE CARBON STEEL PIPES MIXED LOT. | 44.00 | 16,706 | 7,35,057 | PUC |
| 2009-10 | 20100119 | UKRAINE | 73049000 | CARBON STEEL SEAMLESS PIPES STOCK LOT MIX SIZE | 42.00 | 24,890 | 10,45,373 | PUC |
| 2009-10 | 20100107 | U K | 73049000 | SECONDARY SURPLUS CARBON STEEL SEAMLESS PIPES | 42.00 | 21,862 | 9,18,220 | PUC |
| 2009-10 | 20100129 | U S A | 73049000 | SECONDARY CARBON STEEL PIPES SEAMLESS | 42.00 | 21,091 | 8,85,819 | PUC |
| 2009-10 | 20100121 | CHINA P RP | 73043119 | SPHERODIZED ANNEALED SAE52100 SEAMLESS COLD DRAWN TUBES OD.WALL THICKNESS 30.87 | 42.00 | 59,963 | 25,18,460 | PUC |
| 2009-10 | 20100113 | ITALY | 73043129 | SEAMLESS COLD DRAWN STEEL TUBES FOR MECHANICAL APPLICATIONS (OD 255.00 MM X WT | 41.56 | 1,34,639 | 55,96,119 | PUC |
| 2009-10 | 20100105 | CHINA P RP | 73045110 | BEARING QUALITY STEEL TUBE SAE-52100 AND SUJ-3 SIZE:52.6X5.55 MM | 41.00 | 53,269 | 21,84,009 | PUC |
| 2009-10 | 20100118 | ITALY | 73043911 | COLD DRAWN SEAMLESS STEEL TUBES 128.00X9.00X1.00ST523 | 40.93 | 76,872 | 31,46,155 | PUC |
| 2009-10 | 20100111 | CHINA P RP | 73069090 | BEARING SEAMLESS STEEL TUBES - 6004 OR (16 BDL) | 40.78 | 72,716 | 29,65,355 | PUC |
| 2009-10 | 20100129 | U S A | 73045910 | ALLOY STEEL SECONDARY DEFECTIVE SEAMLESS PIPE (9 TO 10% CROME) | 40.00 | 27,156 | 10,86,251 | PUC |
| 2009-10 | 20100130 | CHINA P RP | 98010013 | PROJECT SEAMLESS PIPES(A/S)(S37/50/2008)CIF.RS.14094861/- | 40.00 | 3,52,372 | 1,40,94,860 | PUC |
| 2009-10 | 20100111 | CHINA P RP | 73045110 | BEARING QUALITY STEEL TUBE SAE-52100 AND SUJ-3 SIZE:52.6X5.55 MM | 39.00 | 57,926 | 22,59,109 | PUC |
| 2009-10 | 20100130 | CHINA P RP | 73049000 | OILWELL EQUIPMENT : 2 7/8 6.5# N80 EUE SMLS R2 | 38.36 | 56,066 | 21,50,629 | PUC |
| 2009-10 | 20100111 | CHINA P RP | 73049000 | CARBON STEEL SEAMLESS B.W.FITTINGS AS PER ASTM A 234BR.WPB DIMENSION B16.9 BW(E | 38.00 | 24,460 | 9,29,462 | PUC |
| 2009-10 | 20100115 | CHINA P RP | 73045110 | BEARING QUALITY STEEL TUBE SAE 52100 SIZE:62.16 X 49.65 MM | 37.69 | 47,803 | 18,01,897 | PUC |
| 2009-10 | 20100130 | ITALY | 73043911 | COLD DRAWN SEAMLESS STEEL TUBES 158.00X9.00MM | 34.67 | 94,009 | 32,59,333 | PUC |
| 2009-10 | 20100108 | SWEDEN | 73043119 | COLD DRAWN SEAMLESS TUBES P/N:EAE190 (220.0X190.0H8) | 33.23 | 61,492 | 20,43,196 | PUC |
| 2009-10 | 20100114 | CHINA P RP | 73045110 | STEEL TUBE DIA4.76 X0.55MM WITH COPPER COATED (CAPTIVE CONSUMPTION) | 31.42 | 65,689 | 20,63,820 | PUC |
| 2009-10 | 20100118 | JAPAN | 73041110 | C.R. ALLOY STEEL TUBE FOR BEARING SIZE: OD 35.75MMX WT 6.00MM | 31.00 | 1,08,022 | 33,48,685 | PUC |
| 2009-10 | 20100105 | BELGIUM | 73049000 | 3M DRILL RODS HT (ROD HEAT TREATED) | 30.00 | 73,179 | 21,95,366 | PUC |
| 2009-10 | 20100130 | FRANCE | 73041990 | COLD DRAWN SEAMLESS TUBES-TUBE SANS SOUDURE NUANCE:NC 22 D. NB 29.97 * 31.75 * | 30.00 | 49,665 | 14,89,948 | PUC |
| 2009-10 | 20100116 | CHINA P RP | 73043911 | SEAMLESS STEEL PIPES (JIS-G-3429-88 34CRM04) SIZE: 232MM X 5.4MM (ALLOY STEEL) | 30.00 | 48,064 | 14,41,920 | PUC |
| 2009-10 | 20100108 | CHINA P RP | 73041190 | SEAMLESS PIPES ASTM A 106 GRADE B FOR ONE SHIP (84 MTR, OD 114.30MM, WALL THK 8 | 30.00 | 45,362 | 13,60,871 | PUC |

**Import Data from DGCIS [All Countries PUC]
Apr 2009 to Jun 2012**

| Year | Date | Country | ITC-HS | Item-Des | Quantity (MT) | Price (Rs./MT) | Value (Rs) | PUC/ NPUC |
|---------|----------|----------------|----------|---|---------------|----------------|------------|--------------|
| 2009-10 | 20100120 | NORWAY | 73049000 | SECONDARY SURPLUS CARBAN STEEL SEAMLESS PIPES. | 28.00 | 21,958 | 6,14,825 | PUC |
| 2009-10 | 20100120 | U K | 73049000 | SECONDARY SURPLUS CARBAN STEEL SEAMLESS PIPES. | 27.00 | 22,176 | 5,98,751 | PUC |
| 2009-10 | 20100120 | U K | 73049000 | SECONDARY SURPLUS CARBAN STEEL SEAMLESS PIPES. | 27.00 | 21,540 | 5,81,570 | PUC |
| 2009-10 | 20100108 | CHINA P RP | 73041190 | SEAMLESS PIPES ASTM A 106 GRADE B FOR ONE SHIP (6 MTR, OD 114.30MM, WALL THK 13 | 27.00 | 43,869 | 11,84,458 | PUC |
| 2009-10 | 20100129 | CHINA P RP | 73045110 | SEAMLESS CARBON STEEL PIPE ASTM A 106/ASTM A 53, GR. B 8 SCH20 (219.1MM X 6 | 27.00 | 33,282 | 8,98,612 | PUC |
| 2009-10 | 20100120 | U K | 73049000 | SECONDARY SURPLUS CARBAN STEEL SEAMLESS PIPES. | 26.00 | 22,186 | 5,76,845 | PUC |
| 2009-10 | 20100129 | U ARAB EMTS | 73049000 | CARBON STEEL SEAMLESS PIPES SECONDARY/DEFECTIVE | 26.00 | 21,835 | 5,67,698 | PUC |
| 2009-10 | 20100120 | U K | 73049000 | SECONDARY SURPLUS CARBAN STEEL SEAMLESS PIPES. | 26.00 | 21,476 | 5,58,376 | PUC |
| 2009-10 | 20100113 | JAPAN | 73049000 | SECONDARY SEAMLESS CARBON STEEL PIPES | 25.00 | 38,187 | 9,54,683 | PUC |
| 2009-10 | 20100108 | CHINA P RP | 73041190 | SEAMLESS PIPES ASTM A 106 GRADE B FOR ONE SHIP (10 MTR, OD 73.00MM, WALL THK 9. | 25.00 | 44,683 | 11,17,076 | PUC |
| 2009-10 | 20100128 | ITALY | 73041190 | SEAMLESS COLD DRAWN TUBES FOR HYDRAULIC CYLINDER ACCORDING 185.00 X****X17.50MM | 24.43 | 1,06,236 | 25,95,777 | PUC |
| 2009-10 | 20100129 | CHINA P RP | 98010013 | PIPES TO SPEC SA 106 [CARBON STEEL] S37/33 09 CIF:RS 2533574 | 24.00 | 1,05,566 | 25,33,574 | PUC |
| 2009-10 | 20100104 | CHINA P RP | 73041990 | CARBON STEEL SEAMLESS TUBE AS PER BS STANDARD 114.30 MM OD X 4.5MM THICK BS 305 | 24.00 | 50,580 | 12,13,917 | PUC |
| 2009-10 | 20100127 | CHINA P RP | 73041990 | CARBON STEEL SEAMLESS TUBES AS PER ASTM A-106 GR.B/API 5L GR.B 48.3*3.68*5800 | 24.00 | 42,461 | 10,19,055 | PUC |
| 2009-10 | 20100105 | U S A | 73069090 | 244.6 OD X 186.94 ID, (STEEL TUBES) | 23.76 | 1,18,665 | 28,19,718 | PUC |
| 2009-10 | 20100113 | FRANCE | 73049000 | HOT FINISHED SEAMLESS STEEL TUBES ASME SA 210, GR.C (OD44.5MM X WT8MM X L 8285 | 22.00 | 93,495 | 20,56,900 | PUC |
| 2009-10 | 20100122 | JAPAN | 73045110 | HOT FINISHED CARBON STEEL PIPES - GRADE:ASME SA333 GR.6, BEVEL ENDS SIZE:NB16 | 22.00 | 77,092 | 16,96,029 | PUC |
| 2009-10 | 20100122 | U K | 73049000 | SECONDARY SECOND CHOICE CARBON STEEL SEAMLESS / WELDED PIPES STOCK LOT | 22.00 | 16,914 | 3,72,109 | PUC |
| 2009-10 | 20100122 | CHINA P RP | 73042990 | SEAMLESS STEEL PIPE API 5L GRADE B 73.0MMX7.01MM | 22.00 | 47,654 | 10,48,395 | PUC |
| 2009-10 | 20100118 | CHINA P RP | 73041910 | SEAMLESS PRECISION STEEL TUBE - 50 X 6 X L (=940MMX 2/3/4/5/6) | 22.00 | 44,060 | 9,69,309 | PUC |
| 2009-10 | 20100114 | CHINA P RP | 73043119 | CARBON STEEL SEAMLESS TUBES AS PER ASTM A106 GR.B API 5L GR.B | 22.00 | 31,294 | 6,88,459 | PUC |
| 2009-10 | 20100114 | CZECH REPUBLIC | 73049000 | SEAMLESS STEEL PIPES SIZE : 168,3 X 6,3 MM IN ST.3581 (V-379) 864.200 MTR | 21.78 | 1,02,889 | 22,40,720 | PUC |
| 2009-10 | 20100119 | CHINA P RP | 73049000 | CARBON STEEL SEAMLESS PIPES ASTM A519 | 21.71 | 35,518 | 7,71,096 | PUC |
| 2009-10 | 20100104 | CHINA P RP | 73049000 | MILD STEEL CARBON STEEL ST52 GRADE SEAMLESS HONED TUBE | 21.25 | 76,936 | 16,34,659 | PUC |
| 2009-10 | 20100105 | U S A | 73043911 | SECONDARY DEFECTIVE MS SEAMLESS PIPE | 21.00 | 24,848 | 5,21,808 | PUC |
| 2009-10 | 20100128 | U ARAB EMTS | 73049000 | SECONDARY CARBON STEEL SEAMLESS PIPES MIX LOT | 21.00 | 19,240 | 4,04,032 | PUC |
| 2009-10 | 20100128 | U ARAB EMTS | 73049000 | SECONDARY CARBON STEEL SEAMLESS PIPES AND WELDED PIPES MIXLOT | 21.00 | 19,051 | 4,00,067 | PUC |
| 2009-10 | 20100108 | CHINA P RP | 73049000 | CARBON STEEL SEAMLESS PIPE ASTMA 179 | 21.00 | 33,370 | 7,00,778 | PUC |
| 2009-10 | 20100102 | CHINA P RP | 73049000 | STEEL TUBES19.7MMX14.5MM-2.60MM | 20.48 | 1,06,200 | 21,74,551 | PUC |
| 2009-10 | 20100120 | U S A | 73049000 | SECONDARY/DEFECTIVE CARBON STEEL SEAMLESS PIPES | 20.00 | 22,684 | 4,53,681 | PUC |
| 2009-10 | 20100129 | U S A | 73049000 | SECONDARY/DEFECTIVE CARBON STEEL SEAMLESS PIPES | 20.00 | 22,165 | 4,43,300 | PUC |
| 2009-10 | 20100108 | CHINA P RP | 73042990 | SEAMLESS STEEL PIPE API 5L GRADE `B` 273.1MMX9.27MM | 20.00 | 47,776 | 9,55,521 | PUC |
| 2009-10 | 20100119 | CHINA P RP | 73043119 | COLD DRAWN SEAMLESS STEEL TUBES AS PER DIN STD 2391 50 MM | 20.00 | 45,596 | 9,11,920 | PUC |
| 2009-10 | 20100128 | CHINA P RP | 73049000 | CARBON STEEL SEAMLESS PIPES ASTM A 106 GRADE B | 20.00 | 38,019 | 7,60,388 | PUC |
| 2009-10 | 20100125 | CHINA P RP | 73043119 | CARBON STEEL SEAMLESS PIPE ASTM A106/A53/API 5L GR.B (219.1MM X 32.0 MM) | 20.00 | 37,174 | 7,43,483 | PUC |
| 2009-10 | 20100113 | U S A | 73069090 | SIZE: 244.6 OD X 186.94 ID (STEEL TUBES) | 19.55 | 1,19,017 | 23,27,051 | PUC |
| 2009-10 | 20100113 | CHINA P RP | 73043119 | SEAMLESS CARBON & ALLOY STEEL PIPES.OD.44.5 X 3.66 X RL OF 10-12 MTR.GRADE T91(| 19.43 | 1,57,960 | 30,69,093 | PUC |
| 2009-10 | 20100122 | U K | 73049000 | SECONDARY SECOND CHOICE CARBON STEEL SEAMLESS / WELDED PIPES STOCK LOT | 19.00 | 16,538 | 3,14,225 | PUC |
| 2009-10 | 20100116 | CHINA P RP | 73043939 | SEAMLESS STEEL TUBE GRADE SAE52100/GCR15 48.00X10.00 | 19.00 | 57,069 | 10,84,311 | PUC |
| 2009-10 | 20100128 | U ARAB EMTS | 73049000 | SECONDARY CARBON STEEL SEAMLESS PIPES MIX LOT | 18.00 | 19,142 | 3,44,560 | PUC |
| 2009-10 | 20100114 | UNSPECIFIED | 73042390 | 5-1/2 HEAVY WEIGHT DRILL PIPE: (OILWELL SUPPLIES FOR ONGC) | 16.92 | 2,58,474 | 43,73,582 | PUC |

**Import Data from DGCIS [All Countries PUC]
Apr 2009 to Jun 2012**

| Year | Date | Country | ITC-HS | Item-Des | Quantity (MT) | Price (Rs./MT) | Value (Rs) | PUC/ NPUC |
|---------|----------|-------------|----------|---|---------------|----------------|------------|--------------|
| 2009-10 | 20100127 | CHINA P RP | 73042390 | DRILL RODS | 16.54 | 91,502 | 15,13,714 | PUC |
| 2009-10 | 20100114 | JAPAN | 73049000 | SEAMLESS ALLOY STEEL TUBES JIS G3441 SCM415TK 30.70MM OD X 24.90MM ID X 5M | 14.89 | 1,19,278 | 17,76,294 | PUC |
| 2009-10 | 20100122 | CHINA P RP | 73049000 | BEARING QUALITY STEEL TUBE 41.4*4.4 C:1.00, SI:0.26,MN:0.34,P:0.015,S:0.003,CR | 13.56 | 51,570 | 6,99,077 | PUC |
| 2009-10 | 20100113 | CHINA P RP | 73041190 | SEAMLESS STEEL TUBES ST 19.4MM X 12.033MM SCM415H | 12.82 | 1,16,568 | 14,94,638 | PUC |
| 2009-10 | 20100128 | CHINA P RP | 73043119 | COLD DRAWN READY TO HONE PRECISION TUBE- 10JLS2004 (60X40MM) | 12.34 | 53,350 | 6,58,076 | PUC |
| 2009-10 | 20100129 | CHINA P RP | 73043139 | GRADE 2-CDS AND ST-52 CDS AND READY TO HONE TUBES (230X200X5000 MM) (READY TO H | 12.00 | 1,21,293 | 14,55,520 | PUC |
| 2009-10 | 20100111 | CHINA P RP | 73042390 | DRILL PIPE 2-7/8 EU,LH,10.4#,G-105,R-II TOOL JOINT 2.7/8 API IF (NC-31) 4.1/8 | 11.51 | 1,66,958 | 19,22,116 | PUC |
| 2009-10 | 20100111 | CHINA P RP | 73042390 | DRILL PIPE 2-7/8 OD,EU,G-105,10.4 PPF,T JOD 4-1/8 / D-2 ,TAPER 18 DEG DRILL | 11.25 | 1,68,932 | 19,00,338 | PUC |
| 2009-10 | 20100108 | CHINA P RP | 73041190 | SEAMLESS PIPES ASTM A 106 GRADE B FOR ONE SHIP (26 MTR, OD 60.30MM, WALL THK 3. | 11.00 | 54,379 | 5,98,171 | PUC |
| 2009-10 | 20100106 | CHINA P RP | 73043119 | SEAMLESS PIPES GRADE SAE52100/GCR15 SIZE 29.00 X X22.00 X 3.50 | 10.85 | 48,924 | 5,30,633 | PUC |
| 2009-10 | 20100129 | CHINA P RP | 73049000 | SEAMLESS PIPES | 10.56 | 41,233 | 4,35,498 | PUC |
| 2009-10 | 20100130 | U S A | 73043129 | COLD DRAWN SEAMLESS TUBING A519 SIZE:244.6ODX186.94ID | 10.00 | 1,29,749 | 12,97,491 | PUC |
| 2009-10 | 20100113 | ITALY | 73043139 | SEAMLESS COLD DRAWN STEEL TUBES FOR MECHANICAL APPLICATIONS (OD 234.18 MM X ID | 10.00 | 1,07,161 | 10,71,612 | PUC |
| 2009-10 | 20100129 | U ARAB EMTS | 73041190 | SEAMLESS M.S. PIPES FOR FOR COKE OVEN COMPLEX (SIZE:32X3, MTL SPEC:10) | 10.00 | 48,734 | 4,87,340 | PUC |
| 2009-10 | 20100120 | U S A | 73049000 | SECONDARY DEFECTIVE CARBON STEEL SEAMLESS PIPE | 10.00 | 25,693 | 2,56,933 | PUC |
| 2009-10 | 20100122 | CHINA P RP | 73049000 | BEARING QUALITY STEEL TUBE 41.4*4.4 C:1.00, SI:0.26,MN:0.34,P:0.015,S:0.003,CR | 8.55 | 49,735 | 4,25,332 | PUC |
| 2009-10 | 20100114 | KOREA RP | 73041990 | SEAMLESS CARBON STEEL PIPES B-36-10 ASTM A 106 GR B PE NACESIZE: 0.5 INCH X XXS | 8.54 | 62,632 | 5,34,564 | PUC |
| 2009-10 | 20100128 | CHINA P RP | 73043129 | COLD DRAWN READY TO HONE PRECISION TUBE- 10JLS2005 (160X190MM) | 8.42 | 43,803 | 3,68,763 | PUC |
| 2009-10 | 20100104 | GERMANY | 73045910 | MS SEAMLESS PIPE/TUBES (EX-STOCK) | 8.00 | 14,915 | 1,19,320 | PUC |
| 2009-10 | 20100114 | CHINA P RP | 73041910 | SEAMLESS STEEL TUBES GRADE SAE52100/GCR15 (SIZE: 63.0 X 55.0 X 4.0 MM) | 8.00 | 51,203 | 4,09,627 | PUC |
| 2009-10 | 20091221 | JAPAN | 73049000 | COLD DRAWN SEAMLESS STEEL TUBE (FOR PISTON PIN) GRADE SCM-415H (JIS G 4052 | 6.47 | 2,98,984 | 19,35,622 | PUC |
| 2009-10 | 20100106 | KOREA RP | 73049000 | SA105 FORGED HOLLOW BARS OD 165 X ID 105 X 200 L | 6.00 | 71,123 | 4,26,735 | PUC |
| 2009-10 | 20100111 | GERMANY | 73045910 | ALLOY STEEL SEAMLESS PIPE, GRADE P22, STOCK LOT | 6.00 | 27,912 | 1,67,471 | PUC |
| 2009-10 | 20100121 | CHINA P RP | 73043919 | CARBON STEEL SEAMLESS TUBES O.D.MM 25,W.T.2.5MM LENGTH METER 10.6-11.8 | 6.00 | 38,596 | 2,31,578 | PUC |
| 2009-10 | 20100122 | GERMANY | 73043129 | CYLINDER TUBES SEAMLESS- HP000257 0016 HP 190 X 160 H8-1400 MM [48 PCS] | 5.90 | 1,44,328 | 8,51,535 | PUC |
| 2009-10 | 20100115 | FRANCE | 73043129 | HP TUBES 2.4 X 6 ST 52 - INJECTEURS HAUTE (AUOMOTIVE PRODUCTS) | 5.62 | 1,25,838 | 7,07,338 | PUC |
| 2009-10 | 20100121 | CHINA P RP | 73043119 | SEAMLESS STEEL TUBE GRADE SAE52100/GCR15 SIZE 41.30 X 33.70 X 3.80 | 5.41 | 46,020 | 2,48,738 | PUC |
| 2009-10 | 20100106 | CHINA P RP | 73043119 | SEAMLESS PIPES GRADE SAE52100/GCR15 SIZE 87.00 X 71.00 | 5.39 | 49,163 | 2,65,087 | PUC |
| 2009-10 | 20100118 | CHINA P RP | 73045110 | BEARING QUALITY STEEL TUBE SAE - 52100 - (SIZE 55.5*7.1) | 5.22 | 45,784 | 2,39,084 | PUC |
| 2009-10 | 20100111 | CHINA P RP | 73041190 | SEAMLESS ALLOY STEEL PIPES GR P11 AND GR P22 SIZE OD 219.1 X 10.31MM-P11 | 5.00 | 96,252 | 4,81,261 | PUC |
| 2009-10 | 20100127 | GERMANY | 73061921 | SEAMLESS ALLOY STEEL - PIPES B - 36.10 ASTM A 691 GR 5 CR CL.42 BE E.F.S.W U | 4.14 | 4,34,813 | 17,99,119 | PUC |
| 2009-10 | 20100119 | CHINA P RP | 73045120 | SURPLUS ALLOY STEEL SEAMLESS PIPE | 4.00 | 56,567 | 2,26,267 | PUC |
| 2009-10 | 20100111 | CHINA P RP | 73049000 | PRIME CARBON STEEL SEAMLESS PIPES GRADE : ASTM A 106 GR.B / API5L/A53 GR.B | 3.34 | 32,907 | 1,09,908 | PUC |
| 2009-10 | 20100108 | CHINA P RP | 73041190 | SEAMLESS PIPE ASTM A 106 GRADE B FOR ONE SHIP (75 MTR, OD 141.30 MM WALL THK 9. | 3.00 | 57,089 | 1,71,266 | PUC |
| 2009-10 | 20100112 | CHINA P RP | 73049000 | SEAMLESS ALLOY STEEL PIPES (SIZE OD 219 X 32 X 5-7M-P11) | 2.80 | 71,607 | 2,00,849 | PUC |
| 2009-10 | 20100128 | CHINA P RP | 73049000 | CARBON STEEL SEAMLESS PIPES ASTM A 106 GRADE B | 2.00 | 38,647 | 77,294 | PUC |
| 2009-10 | 20100118 | CHINA P RP | 73042310 | PLAIN END SEAMLESS COUPLING STOCK SIZE:5.000 OD X3.955 ID [13.513 MTS=358.40 M | 1.79 | 43,670 | 78,052 | PUC |
| 2009-10 | 20100122 | GERMANY | 73043119 | CYLINDER TUBES SEAMLESS- HP000145 0008 HP 100X80 H8-1835MM [36 PCS] | 1.47 | 1,45,632 | 2,13,351 | PUC |
| 2009-10 | 20100119 | U S A | 73041190 | SECODNARY/DEFECTIVE STEEL PIPES | 1.00 | 23,615 | 23,615 | PUC |
| 2009-10 | 20100102 | SAUDI ARAB | 73049000 | SECONDARY SECOND CARBON STEEL SEAMLESS/ WELDED PIPES & PIPE FITTINGS MIXED THIC | 1.00 | 16,706 | 16,706 | PUC |
| 2009-10 | 20100107 | CHINA P RP | 73049000 | CARBON STEEL SHEET 2.4*200*500 (CARBON STEEL SHEET 2.3 MM) | 1.00 | 1,73,451 | 1,73,451 | PUC |

**Import Data from DGCIS [All Countries PUC]
Apr 2009 to Jun 2012**

| Year | Date | Country | ITC-HS | Item-Des | Quantity (MT) | Price (Rs./MT) | Value (Rs) | PUC/ NPUC |
|---------|----------|-------------|----------|---|---------------|----------------|--------------|--------------|
| 2009-10 | 20100116 | CHINA P RP | 73041190 | CARBON STEEL SEAMLESS PIPE ASTM A 106 GRADE B FOR ONE SHIP (Y-329) 46 MTR, OD 2 | 1.00 | 55,153 | 55,153 | PUC |
| 2009-10 | 20100116 | CHINA P RP | 73041190 | CARBON STEEL SEAMLESS PIPE ASTM A 106 GRADE B FOR ONE SHIP (Y-330) 12 MTR, OD 2 | 1.00 | 53,992 | 53,992 | PUC |
| 2009-10 | 20100109 | CHINA P RP | 73041190 | SEAMLESS PIPE ASTM A 106 GRADE B FOR ONE SHIP (11 MTR, OD 273.00MM, WALL THK 15 | 1.00 | 39,285 | 39,285 | PUC |
| 2009-10 | 20100125 | CHINA P RP | 73043119 | CARBON STEEL SEAMLESS PIPE ASTM A106/A53/API 5L GR.B (219.1MM X 32.0 MM) | 1.00 | 36,344 | 36,344 | PUC |
| 2009-10 | 20100125 | CHINA P RP | 73041990 | CARBON STEEL SEAMLESS PIPES SIZE:101.6*10*5800MM | 1.00 | 29,522 | 29,522 | PUC |
| 2009-10 | 20100129 | JAPAN | 73041910 | SUPPLY OF CS NACE PIPES PIPE SMLS A106 GR. B OD (INCH) 4 , SCH XXXS. | 0.98 | 2,70,864 | 2,66,530 | PUC |
| 2009-10 | 20100106 | GERMANY | 73041910 | IRON TUBES AND PIPES (COMP. FOR ENGINE & TRANSMISSION MANUAL/ AUTO. MODEL C 200 | 0.72 | 28,792 | 20,730 | PUC |
| 2009-10 | 20100122 | U ARAB EMTS | 73049000 | CARBON STEEL SEAMLESS PIPES 1 SCH 160X6 MTR | 0.35 | 1,46,139 | 50,564 | PUC |
| 2009-10 | 20100106 | GERMANY | 73043939 | SEAMLESS CARBON STEEL PIPES CONFORMING TO SPECN.SA 333 GRADE 6 (SIZE:168.3 X 18 | 0.30 | 2,26,753 | 68,026 | PUC |
| 2009-10 | 20100129 | U S A | 73045910 | ALLOY STEEL SECONDARY DEFECTIVE SEAMLESS PIPE (9 TO 10% CROME) | 0.30 | 67,397 | 20,219 | PUC |
| 2009-10 | 20100113 | U S A | 73049000 | PIPE, CPVC 1 IN SCH 80 X 10 FT ECCN: EAR99 | 0.20 | 80,555 | 16,111 | PUC |
| 2009-10 | 20100102 | ISRAEL | 73049000 | T TUBE ANODE P/N-1009358 | 0.10 | 1,17,220 | 11,722 | PUC |
| 2009-10 | 20100122 | U K | 73049000 | SECONDARY SECOND CHOICE CARBON STEEL SEAMLESS / WELDED PIPES STOCK LOT | 0.10 | 76,080 | 7,608 | PUC |
| 2009-10 | 20100119 | CHINA P RP | 73049000 | CARBON STEEL SEAMLESS PIPES ASTM A519 | 0.10 | 35,520 | 3,552 | PUC |
| 2009-10 | 20100119 | RUSSIA | 73049000 | SECONDARY SECOND CHOICE CARBON STEEL SEAMLESS / WELDED PIPES STOCK LOT | 0.07 | 75,600 | 5,292 | PUC |
| 2009-10 | 20100118 | SAUDI ARAB | 73049000 | SECONDARY SECOND CARBON STEEL SEAMLESS/ WELDED PIPES, MIXED THICKNESS MIXED LOT | 0.07 | 71,114 | 4,978 | PUC |
| 2009-10 | 20100128 | U ARAB EMTS | 73049000 | SECONDARY CARBON STEEL SEAMLESS PIPES MIX LOT | 0.06 | 62,933 | 3,776 | PUC |
| 2009-10 | 20100128 | U ARAB EMTS | 73049000 | SECONDARY CARBON STEEL SEAMLESS PIPES MIX LOT | 0.06 | 62,933 | 3,776 | PUC |
| 2009-10 | 20100122 | U K | 73049000 | SECONDARY SECOND CHOICE CARBON STEEL SEAMLESS / WELDED PIPES STOCK LOT | 0.06 | 60,633 | 3,638 | PUC |
| 2009-10 | 20100105 | U K | 73049000 | SECONDARY SECOND CHOICE CARBON STEEL SEAMLESS / WELDED PIPES STOCK LOT | 0.05 | 66,160 | 3,308 | PUC |
| 2009-10 | 20100119 | UKRAINE | 73049000 | CARBON STEEL SEAMLESS PIPES STOCK LOT MIX SIZE | 0.04 | 61,425 | 2,457 | PUC |
| 2009-10 | 20100108 | CANADA | 73049000 | SECONDARY/DEFECTIVE M.S. PIPE OF MIX SIZE | 0.02 | 85,900 | 1,718 | PUC |
| 2009-10 | 20100113 | U ARAB EMTS | 73049000 | M.S.SECONDARY DEFECTIVE PIPES | 0.02 | 83,550 | 1,671 | PUC |
| 2009-10 | 20100111 | AUSTRALIA | 73049000 | SECONDARY SECOND CHOICE CARBON STEEL SEAMLESS / WELDED PIPES STOCK LOT | 0.01 | 99,200 | 992 | PUC |
| 2009-10 | 20100128 | U ARAB EMTS | 73049000 | SECONDARY CARBON STEEL SEAMLESS PIPES AND WELDED PIPES MIXLOT | 0.01 | 94,400 | 944 | PUC |
| 2009-10 | 20100111 | GERMANY | 73045910 | ALLOY STEEL SEAMLESS PIPE, GRADE P22, STOCK LOT | 0.01 | 73,900 | 739 | PUC |
| 2009-10 | 20100104 | GERMANY | 73045910 | MS SEAMLESS PIPE/TUBES (EX-STOCK) | 0.01 | 60,444 | 544 | PUC |
| 2009-10 | 20100121 | GERMANY | 73049000 | SECONDARY DEFECTIVE CARBON STEEL SEAMLESS PIPES | 0.01 | 61,000 | 488 | PUC |
| 2009-10 | 20100119 | GERMANY | 73049000 | SECONDARY/DEFECTIVE CARBON STEEL SEAMLESS PIPES | 0.01 | 79,167 | 475 | PUC |
| 2009-10 | 20100217 | CHINA P RP | 73043911 | 73043911 SEAMLESS HOLLOW(CARBON STEEL) | 2,887.00 | 40,094 | 11,57,51,280 | PUC |
| 2009-10 | 20100202 | SWEDEN | 73043119 | COLD DRAWN SEAMLESS STEEL TUBES VAE 105 120X104.50 | 1,286.00 | 1,459 | 18,76,785 | PUC |
| 2009-10 | 20100215 | RUSSIA | 73042990 | CASING PIPES, 9 5/8 GRADE: N-80, 43.5 PPF, BTC, EC NO.: ECIN201002120001 DT: 1 | 1,229.31 | 54,573 | 6,70,87,740 | PUC |
| 2009-10 | 20100213 | RUSSIA | 73042990 | CASING PIPE, 9 5/8 X 43.5 PPF X R3, BC (1433 PCS), EC NO.: ECIN201002120002 DT | 1,143.48 | 54,574 | 6,24,04,856 | PUC |
| 2009-10 | 20100211 | RUSSIA | 73042990 | SUPPLY OF REGULAR SIZE CASING PIPE. 9 5/8 X 43.5PPF X R3,BCGRADE:N80(TYPEQ)182B | 776.67 | 54,570 | 4,23,82,960 | PUC |
| 2009-10 | 20100217 | CHINA P RP | 73043911 | 73043911 SEAMLESS HOLLOW(CARBON STEEL) | 650.00 | 40,101 | 2,60,65,434 | PUC |
| 2009-10 | 20100216 | RUSSIA | 73062919 | CASING PIPE 9 5/8 INCH X 43.5 PPF X R3 BC | 614.79 | 54,607 | 3,35,71,836 | PUC |
| 2009-10 | 20100208 | CHINA P RP | 73041190 | CARBON STEEL SEAMLESS PIPE ASTM A106/API 5L GR B PSL 1 SIZEOD 88.9 MM X 7.62 M | 562.00 | 31,652 | 1,77,88,320 | PUC |
| 2009-10 | 20100212 | RUSSIA | 73042990 | SUPPLY OF REGULAR SIZE CASING PIPE. 9 5/8 X 43.5 PPF X R3,BC GRADE:N80(TYPEQ)1 | 452.38 | 54,574 | 2,46,88,328 | PUC |
| 2009-10 | 20100215 | CHINA P RP | 73049000 | SEAMLESS CARBON STEEL PIPES,API 5L/ASTM A53B/ASTM A106 GR-B | 433.00 | 32,650 | 1,41,37,666 | PUC |
| 2009-10 | 20100209 | CHINA P RP | 73043931 | PIPES TO SPEC SA106(CARBON STEEL)88.90-168.3 X 11.13-13.49X6000 | 426.00 | 41,264 | 1,75,78,496 | PUC |
| 2009-10 | 20100201 | CHINA P RP | 73043939 | SEAMLESS STEEL TUBES (GRADE 34CRMO4) SIZE : 267 X 6.5 MM(ALLOY STEEL) | 420.00 | 45,322 | 1,90,35,144 | PUC |

**Import Data from DGCIS [All Countries PUC]
Apr 2009 to Jun 2012**

| Year | Date | Country | ITC-HS | Item-Des | Quantity (MT) | Price (Rs./MT) | Value (Rs) | PUC/ NPUC |
|---------|----------|------------|----------|--|---------------|----------------|-------------|--------------|
| 2009-10 | 20100212 | CHINA P RP | 73045910 | COLD DRAWN SEAMLESS ALLOY STEEL TUBES 44.45MM X 8.00MM X 11000MM | 402.56 | 83,873 | 3,37,64,009 | PUC |
| 2009-10 | 20100216 | RUSSIA | 73062919 | CASING PIPE 9 5/8INCH X 43.5 PPF X R3 BC | 388.24 | 54,611 | 2,12,02,062 | PUC |
| 2009-10 | 20100225 | CHINA P RP | 73049000 | CARBON STEEL SEAMLESS PIPES STOCKLOT | 345.00 | 24,709 | 85,24,709 | PUC |
| 2009-10 | 20100212 | CHINA P RP | 73045910 | COLD DRAWN SEAMLESS ALLOY STEEL TUBES 50.80MM X 8.00MM X 11000MM | 330.43 | 1,05,076 | 3,47,20,272 | PUC |
| 2009-10 | 20100219 | CHINA P RP | 73043119 | SEAMLESS LINE PIPES API 5L GRB/ASTM A 106 GR.B BEVELED END IBR WITH BV SIZE: 8 | 326.00 | 33,402 | 1,08,89,148 | PUC |
| 2009-10 | 20100222 | CHINA P RP | 73049000 | CARBON STEEL SEAMLESS PIPES (M.S) 273.1MM X 15.09 MM | 323.00 | 32,438 | 1,04,77,475 | PUC |
| 2009-10 | 20100217 | CHINA P RP | 73049000 | CARBON STEEL SEAMLESS PIPES STOCK LOT | 309.00 | 26,096 | 80,63,664 | PUC |
| 2009-10 | 20100222 | CHINA P RP | 73043911 | SEAMLESS STEEL TUBES (37MN) SIZE: 139.8MM X 4.2MM (NON ALLOY) | 305.00 | 41,108 | 1,25,38,065 | PUC |
| 2009-10 | 20100225 | CHINA P RP | 73043911 | HOT FINISHED SEAMLESS TUBES (GB 18248-2008 37MN) SIZE: 108.00MM X 4.0MM X 5520M | 294.00 | 44,659 | 1,31,29,761 | PUC |
| 2009-10 | 20100217 | CHINA P RP | 73043119 | SEAMLESS LINE PIPE API 5L GRB/ASTM 106 GR B/A 53 B IBR WITH BV SIZE:168.3 X10. | 269.00 | 31,060 | 83,55,210 | PUC |
| 2009-10 | 20100210 | CHINA P RP | 73042990 | CASING PIPE 5 1/2 OD, J-55, 17 PPF, BTC, (804 PCS), EC NO.: ECIN201001110003 D | 265.56 | 29,334 | 77,90,016 | PUC |
| 2009-10 | 20100215 | CHINA P RP | 73049000 | CARBON STEEL SEAMLESS PIPES AS PER API 5L/A53 / ASTM A 106 GRADE B STOCK LOT | 257.00 | 25,660 | 65,94,599 | PUC |
| 2009-10 | 20100201 | CHINA P RP | 73043911 | TUBES | 256.10 | 44,969 | 1,15,16,560 | PUC |
| 2009-10 | 20100215 | CHINA P RP | 73049000 | HOT FINISHED SEAMLESS STEEL TUBE (GRADE34CRM04) | 255.00 | 50,814 | 1,29,57,549 | PUC |
| 2009-10 | 20100218 | ARGENTINA | 73043929 | SEAMLESS STEEL TUBES (GRADE DS202) SIZE OD.267.00MMX WT. 6.00 MM ALLOY STEEL | 253.53 | 54,257 | 1,37,55,486 | PUC |
| 2009-10 | 20100203 | CHINA P RP | 73042990 | SEAMLESS TUBE 134X4.5THKX6000 LONG. | 227.00 | 41,621 | 94,47,860 | PUC |
| 2009-10 | 20100215 | CHINA P RP | 73049000 | HOT FINISHED SEAMLESS STEEL TUBE (GRADE 37 MN) | 216.00 | 45,483 | 98,24,410 | PUC |
| 2009-10 | 20100211 | CHINA P RP | 73045930 | SEAMLESS STEEL GAS CYLINDER TUBE 232 MM X 5.4 MM | 216.00 | 43,418 | 93,78,368 | PUC |
| 2009-10 | 20100216 | CHINA P RP | 73049000 | PRIME CARBON STEEL SEAMLESS PIPES GRADE : ASTM A 106 GR.B / API5L GR.B | 214.31 | 33,552 | 71,90,448 | PUC |
| 2009-10 | 20100226 | ARGENTINA | 73043911 | HOT FINISHED SEAMLESS STEEL TUBES (JIS G3429 DS 202) SIZE:OD 267.00 MM WT: 10.5 | 212.00 | 54,779 | 1,16,13,170 | PUC |
| 2009-10 | 20100216 | CHINA P RP | 73049000 | CDS CARBON STEEL TUBES GRADE: ASME SA 210 GR.A1 SIZE: 76.2 OD X 4.88MM WT X 6000 | 210.42 | 46,012 | 96,81,737 | PUC |
| 2009-10 | 20100202 | SAUDI ARAB | 73049000 | SECONDARY SECOND CARBON STEEL SEAMLESS / WELDED PIPES MIXED THICKNESS MIXED LOT | 208.00 | 16,501 | 34,32,295 | PUC |
| 2009-10 | 20100202 | CHINA P RP | 73044900 | COLD DRAWN STEEL SEAMLESS TUBES ASTM A106GR SIZE 55MM OD X4.35MM WALL THK MIN X | 204.34 | 33,645 | 68,74,926 | PUC |
| 2009-10 | 20100219 | ARGENTINA | 73043911 | HOT FINISHED SEAMLESS STEEL TUBES (JIS G3429 DS 202) SIZE: OD: 267,00 MM WT: 6, | 200.05 | 54,334 | 1,08,69,642 | PUC |
| 2009-10 | 20100211 | CHINA P RP | 73045930 | SEAMLESS STEEL GAS CYLINDER TUBE 232 MM X 5.4 MM | 195.00 | 43,425 | 84,67,969 | PUC |
| 2009-10 | 20100219 | U K | 73042390 | DRILL PIPES 5 19.5 PPF S-135 R/H IEU (6681.930 METER=235.092 MT) (136 BUNDLES | 193.86 | 1,80,265 | 3,49,45,480 | PUC |
| 2009-10 | 20100201 | CHINA P RP | 73069090 | SEAMLESS STEEL GAS | 189.16 | 54,240 | 1,02,60,075 | PUC |
| 2009-10 | 20100217 | CHINA P RP | 73043119 | SEAMLESS COLD DRAWN PIPES ASTM A106 GR.B/API 5L GR.B2 X SCH80 X 5800MM | 161.89 | 32,472 | 52,56,802 | PUC |
| 2009-10 | 20100210 | CHINA P RP | 73042390 | DRILL PIPE,5 G105 GD.R-II,19.5 PPF | 156.35 | 1,54,551 | 2,41,64,344 | PUC |
| 2009-10 | 20100208 | CHINA P RP | 73042990 | SEAMLESS STEEL TUBE 28.2 X 4.55 | 155.25 | 65,985 | 1,02,44,250 | PUC |
| 2009-10 | 20100204 | U S A | 98010013 | PROJECT PIPES C/S(TO.SPEC.SA106)(S37/33/09)CIF.RS.22577700/- | 154.00 | 1,46,608 | 2,25,77,700 | PUC |
| 2009-10 | 20100206 | CHINA P RP | 73043919 | CARBON STEEL SEAMLESS TUBES TO ASTM A179 (FULLY KILLED STEEL) SIZE 25 MM OD X | 154.00 | 37,645 | 57,97,396 | PUC |
| 2009-10 | 20100225 | ARGENTINA | 73043939 | SEAMLESS STEEL TUBES (GRADE DS202) SIZE: OD. 267.00MM X WT.6.00MM ALLOY STEEL | 153.00 | 54,638 | 83,59,558 | PUC |
| 2009-10 | 20100210 | CHINA P RP | 73043919 | CARBON STEEL SEAMLESS HOT FINISHED MOTHER PIPES GRADE DIN 17175 ST.35.8 , SIZE | 152.00 | 38,632 | 58,72,115 | PUC |
| 2009-10 | 20100216 | U S A | 73049000 | CARBON STEEL SECONDARY SEAMLESS PIPE | 150.00 | 19,919 | 29,87,780 | PUC |
| 2009-10 | 20100218 | SAUDI ARAB | 73049000 | SECONDARY SECOND CARBON STEEL SEAMLESS / WELDED PIPES MIXED THICKNESS MIXED LO | 150.00 | 16,559 | 24,83,919 | PUC |
| 2009-10 | 20100217 | CHINA P RP | 73049000 | CARBON STEEL SEAMLESS PIPE SPECIFICATION API 5L/ ASTM A 106 /ASTM A 53, GRADE B | 145.00 | 31,623 | 45,85,295 | PUC |
| 2009-10 | 20100222 | CHINA P RP | 73049000 | CARBON STEEL SEAMLESS PIPES (M.S) 219.1MM X 15.09 MM | 139.00 | 33,095 | 46,00,154 | PUC |
| 2009-10 | 20100226 | ARGENTINA | 73043939 | SEAMLESS STEEL TUBES (GRADE DS202) SIZE: OD.267.00MM X WT. 6.00 MM ALLOY STEEL | 134.00 | 54,729 | 73,33,700 | PUC |
| 2009-10 | 20100211 | CHINA P RP | 73049000 | NON ALLOY C.S.SEAMLESS PIPES ASTM A 106-B/API 5 LB PSL1 OD168.3 X 9 X 10-12 MTR | 132.94 | 36,299 | 48,25,638 | PUC |
| 2009-10 | 20100218 | U K | 73049000 | SECONDARY CARBON STEEL PIPES SEAMLESS | 131.00 | 19,398 | 25,41,144 | PUC |

**Import Data from DGCIS [All Countries PUC]
Apr 2009 to Jun 2012**

| Year | Date | Country | ITC-HS | Item-Des | Quantity (MT) | Price (Rs./MT) | Value (Rs) | PUC/ NPUC |
|---------|----------|-------------|----------|---|---------------|----------------|-------------|--------------|
| 2009-10 | 20100210 | CHINA P RP | 73042990 | SEAMLESS STEEL PIPE API 5L GRADE B 168.3MMX14.27 MM | 131.00 | 39,377 | 51,58,426 | PUC |
| 2009-10 | 20100215 | SAUDI ARAB | 73049000 | SECONDARY SECOND CARBON STEEL SEAMLESS / WELDED PIPES MIXED THICKNESS MIXED LO | 130.00 | 16,599 | 21,57,843 | PUC |
| 2009-10 | 20100215 | CHINA P RP | 73045110 | BEARING QUALITY STEEL TUBE GRADE SAE-52100 SIZE:46.75 X 34.75MM | 129.53 | 47,091 | 60,99,617 | PUC |
| 2009-10 | 20100215 | SAUDI ARAB | 73049000 | SECONDARY SECOND CARBON STEEL SEAMLESS / WELDED PIPES MIXED THICKNESS MIXED LO | 129.00 | 16,577 | 21,38,381 | PUC |
| 2009-10 | 20100205 | CHINA P RP | 73069090 | 5 1/2 15.5# J55 BTC SMLS R2 (EQUIPMENTS FOR CBM EXPLORATION) | 125.86 | 45,467 | 57,22,472 | PUC |
| 2009-10 | 20100223 | CHINA P RP | 73042990 | SEAMLESS STEEL PIPE API 5L GRADE `B 219.1MMX12.70MM | 125.00 | 41,392 | 51,73,981 | PUC |
| 2009-10 | 20100224 | CHINA P RP | 73049000 | CARBON STEEL SEAMLESS PIPE ASTM A 106 GR B / A 53 GR B / API 5L GR B SIZE 219. | 124.00 | 31,349 | 38,87,337 | PUC |
| 2009-10 | 20100202 | SAUDI ARAB | 73049000 | SECONDARY SECOND CARBON STEEL SEAMLESS / WELDED PIPES MIXED THICKNESS MIXED LO | 123.00 | 16,602 | 20,42,059 | PUC |
| 2009-10 | 20100205 | CHINA P RP | 73049000 | CARBON SEAMLESS STEEL TUBES TO ASME SA210 GR-A1 50.8ODX4.5WTX11000 LG-280 NOS | 117.60 | 52,615 | 61,87,685 | PUC |
| 2009-10 | 20100217 | CHINA P RP | 73049000 | SEAMLESS STEEL PIPES(MILD STEEL)API 5L/ASTM A106/A53 GR B (273.1MMX9.27MM) | 115.00 | 31,439 | 36,15,516 | PUC |
| 2009-10 | 20100215 | U S A | 73049000 | SECONDARY SECOND CHOICE CARBON STEEL SEAMLESS / WELDED PIPES STOCK LOT | 114.00 | 16,748 | 19,09,222 | PUC |
| 2009-10 | 20100217 | CHINA P RP | 73049000 | SEAMLESS STEEL PIPES(MILD STEEL) API 5L/ASTM A106/A53 GR B273.1MMX9.27MM) | 113.00 | 31,286 | 35,35,298 | PUC |
| 2009-10 | 20100217 | CHINA P RP | 73043119 | SEAMLESS MILD STEEL PIPE OF OUTER DIA 48MM INNER DIA 40MM & WALL THICK 4MM LEN | 112.00 | 37,925 | 42,47,545 | PUC |
| 2009-10 | 20100218 | JAPAN | 73045910 | HOT FINISH SEAMLESS ALLOY STEEL TUBES | 107.00 | 1,94,342 | 2,07,94,634 | PUC |
| 2009-10 | 20100216 | KUWAIT | 73049000 | SECONDARY CARBON STEEL PIPES SEAMLESS | 103.00 | 19,926 | 20,52,392 | PUC |
| 2009-10 | 20100224 | CHINA P RP | 73041110 | CARBON SEAMLESS STEEL PIPE SIZE 245X25X5800MM 10.948MTS 141X12.7X5800MMX10.313 | 102.00 | 30,512 | 31,12,238 | PUC |
| 2009-10 | 20100205 | U ARAB EMTS | 73041990 | M S SECONDARY PIPE | 101.00 | 25,573 | 25,82,880 | PUC |
| 2009-10 | 20100211 | KUWAIT | 73049000 | SECONDARY CARBON STEEL PIPES SEAMLESS | 100.00 | 20,104 | 20,10,391 | PUC |
| 2009-10 | 20100222 | U S A | 73049000 | SECONDARY SECOND CHOICE CARBON STEEL SEAMLESS / WELDED PIPES STOCK LOT | 100.00 | 16,423 | 16,42,264 | PUC |
| 2009-10 | 20100223 | CHINA P RP | 73049000 | SEAMLESS STEEL PIPES(M.S)API 5L/ASTM A106/GR.B(355.6MM X 19.05MM) | 98.00 | 36,434 | 35,70,555 | PUC |
| 2009-10 | 20100225 | KUWAIT | 73049000 | SECONDARY CARBON STEEL PIPES SEAMLESS | 97.00 | 19,037 | 18,46,611 | PUC |
| 2009-10 | 20100215 | OMAN | 73061911 | SECONDARY/DEFECTIVE MS PIPES OF MIX SIZES | 93.00 | 20,022 | 18,62,045 | PUC |
| 2009-10 | 20100216 | CHINA P RP | 73049000 | SEAMLESS CARBON STEEL PIPES(API 5L/ASTM A106/ASTM A53 GRADEB)(141.3MM,168.3MM,2 | 93.00 | 31,802 | 29,57,564 | PUC |
| 2009-10 | 20100202 | CHINA P RP | 73043919 | CARBON STEEL SEAMLESS TUBES TO ASTM A 106/API 5 L GR B(SIZE38.10MM OD X 3.60MM | 92.00 | 34,663 | 31,89,021 | PUC |
| 2009-10 | 20100208 | CHINA P RP | 73043919 | CARBON STEEL SEAMLESS TUBES TO ASTM A179 (FULLY KILLED STEEL) SIZE 25 MM OD X | 90.00 | 37,736 | 33,96,252 | PUC |
| 2009-10 | 20100202 | U ARAB EMTS | 73049000 | OILWELL EQUIPMENT : DRILL PIPES 5 OD 19.5 PPF S-135, IEU RH, R-II, NC-50 (4 1/ | 83.74 | 2,16,010 | 1,80,88,702 | PUC |
| 2009-10 | 20100224 | CHINA P RP | 73049000 | PRIME CARBON STEEL SEAMLESS PIPES TO ASTM A106 GRADE B | 81.00 | 28,949 | 23,44,837 | PUC |
| 2009-10 | 20100215 | CHINA P RP | 73049000 | CARBON STEEL SEAMLESS PIPES API 5L/ASTM A 106 GRADE B | 81.00 | 27,552 | 22,31,752 | PUC |
| 2009-10 | 20100217 | U S A | 73049000 | SECONDARY CARBON STEEL PIPES SEAMLESS | 80.00 | 20,460 | 16,36,782 | PUC |
| 2009-10 | 20100216 | U ARAB EMTS | 73049000 | CARBON STEEL SEAMLESS PIPES SECONDARY/DEFECTIVE | 79.00 | 21,114 | 16,67,977 | PUC |
| 2009-10 | 20100216 | CHINA P RP | 73043111 | CARBON STEEL SEAMLESS PIPES ASPER ASTM A106 GRB/API SL GR.B4 XSCH40X5.8MTR | 78.23 | 34,193 | 26,74,929 | PUC |
| 2009-10 | 20100222 | CHINA P RP | 73049000 | CARBON STEEL SEAMLESS TUBES ASTM A 179 60.3MM 5.54MM 10-11.5M | 78.00 | 38,696 | 30,18,319 | PUC |
| 2009-10 | 20100216 | CHINA P RP | 73049000 | CARBON STEEL SEAMLESS PIPES STOCK LOT | 78.00 | 23,300 | 18,17,400 | PUC |
| 2009-10 | 20100210 | CHINA P RP | 73042390 | DRILL PIPE,5 19.5 PPF,S-135 R/H | 77.64 | 1,46,102 | 1,13,43,210 | PUC |
| 2009-10 | 20100225 | SWEDEN | 73049000 | SECON/DEFECTIVE SEAMLESS STEEL TUBES. | 77.00 | 28,052 | 21,60,018 | PUC |
| 2009-10 | 20100219 | CHINA P RP | 73043119 | CARBON STEEL SEAMLESS PIPES ASTM A106 GRB SIZE 8"SCH80*5800MM | 77.00 | 30,355 | 23,37,337 | PUC |
| 2009-10 | 20100211 | KUWAIT | 73049000 | SECONDARY CARBON STEEL PIPES SEAMLESS | 75.00 | 17,779 | 13,33,410 | PUC |
| 2009-10 | 20100204 | CHINA P RP | 73043119 | CARBON STEEL SEAMLESS PIPES ASTM A106 GR.B 77*10.5*5800 MM | 75.00 | 30,150 | 22,61,271 | PUC |
| 2009-10 | 20100223 | CHINA P RP | 73042990 | SEAMLESS STEEL PIPE API 5L GRADE B 273.1MMX15.09MM | 74.00 | 41,634 | 30,80,897 | PUC |
| 2009-10 | 20100203 | ITALY | 73043939 | SEAMLESS STEEL TUBES(GRADE 34CRMO4)SIZE OD.267.00MMXWT.6.00MM ALLOY STEEL | 69.97 | 65,787 | 46,03,338 | PUC |
| 2009-10 | 20100219 | GERMANY | 73049000 | SEAMLESS STEEL PIPE FOR CARGO SYSTEM (CEMENT) RON 114,3 X 6,3 MM ST35.8L (63.0 | 66.74 | 1,13,207 | 75,55,565 | PUC |

**Import Data from DGCIS [All Countries PUC]
Apr 2009 to Jun 2012**

| Year | Date | Country | ITC-HS | Item-Des | Quantity (MT) | Price (Rs./MT) | Value (Rs) | PUC/ NPUC |
|---------|----------|-------------|----------|---|---------------|----------------|------------|--------------|
| 2009-10 | 20100217 | CHINA P RP | 73041990 | SEAMLESS CARBON STEEL PIPES AS PER ASTM A106 GR.B/API 5L GR.B 88.9X5.35X5800MM | 65.00 | 39,556 | 25,71,127 | PUC |
| 2009-10 | 20100201 | U S A | 73049000 | SECONDARY SECOND CHOICE CARBON STEEL SEAMLESS / WELDED PIPES STOCK LOT | 63.00 | 16,446 | 10,36,122 | PUC |
| 2009-10 | 20100208 | CHINA P RP | 73069090 | BEARING SEAMLESS STEEL TUBES - 61905 OR (10 BDL) | 62.78 | 74,112 | 46,52,620 | PUC |
| 2009-10 | 20100208 | CHINA P RP | 73043919 | CARBON STEEL SEAMLESS TUBES TO ASTM A179 (FULLY KILLED STEEL) SIZE 25 MM OD X | 56.00 | 37,957 | 21,25,611 | PUC |
| 2009-10 | 20100225 | CHINA P RP | 73049000 | CARBON STEEL SEAMLESS PIPES AS PER API 5L GR B(OUTER DIAMETER 359.0 X WALL T | 55.00 | 34,161 | 18,78,834 | PUC |
| 2009-10 | 20100201 | NORWAY | 73049000 | SECONDARY/DEFECTIVE CARBON STEEL SEAMLESS PIPES | 53.00 | 21,229 | 11,25,124 | PUC |
| 2009-10 | 20100208 | CHINA P RP | 73049000 | CARBON STEEL SEAMLESS PIPES | 52.00 | 34,696 | 18,04,183 | PUC |
| 2009-10 | 20100222 | CHINA P RP | 73049000 | CARBON STEEL SEAMLESS PIPES(M.S)API5L/ASTM A106/A53 GRB 273.1MM X 6.35 MM | 51.00 | 35,224 | 17,96,400 | PUC |
| 2009-10 | 20100226 | CHINA P RP | 73049000 | PRIME CARBON STEEL SEAMLESS PIPES GRADE : ASTM A 106 GR.B / API5L GR.B(3/4 X S | 50.85 | 39,430 | 20,04,811 | PUC |
| 2009-10 | 20100215 | CHINA P RP | 73049000 | CARBON SEAMLESS STEEL PIPE ASTM A106/A53/AP15L GR.B | 50.00 | 31,604 | 15,80,208 | PUC |
| 2009-10 | 20100226 | CHINA P RP | 73041910 | SEAMLESS CARBON STEEL PIPES API 5L/ASTM A 106/ASTM A53GR.B 219.1MMX8.18MM | 50.00 | 31,447 | 15,72,340 | PUC |
| 2009-10 | 20100225 | CHINA P RP | 73049000 | SECONDARY CARBON STEEL PIPE THICKNESS MIXED LOT. | 50.00 | 16,579 | 8,28,946 | PUC |
| 2009-10 | 20100212 | CHINA P RP | 73045910 | COLD DRAWN SEAMLESS ALLOY STEEL TUBES 50.80MM X 7.60MM X 10000MM | 49.25 | 73,526 | 36,20,865 | PUC |
| 2009-10 | 20100203 | U ARAB EMTS | 73049000 | SECONDARY SECOND CHOICE CARBON STEEL SEAMLESS PIPE & PIPES FITTINGS FLACH STOCK | 49.00 | 24,033 | 11,77,635 | PUC |
| 2009-10 | 20100201 | CHINA P RP | 73042990 | SEAM-LESS STEEL PIPE, 168.3MM OD X 17.5MM THK X 6000MM FIXED LENGTH | 49.00 | 41,107 | 20,14,242 | PUC |
| 2009-10 | 20100217 | CHINA P RP | 73043119 | CARBON STEEL SEAMLESS PIPES TO ASTM A106 GR. B (1-1/2 X80X5800MM) | 49.00 | 35,337 | 17,31,496 | PUC |
| 2009-10 | 20100224 | CHINA P RP | 73049000 | CARBON STEEL SEAMLESS PIPE ASTM A 106 GR B / A 53 GR B / API 5L GR B SIZE 168. | 49.00 | 31,677 | 15,52,197 | PUC |
| 2009-10 | 20100202 | CHINA P RP | 73049000 | SEAMLESS CARBON STEEL PIPES API 5LB ASTM A106B/A53B | 49.00 | 29,185 | 14,30,084 | PUC |
| 2009-10 | 20100223 | CHINA P RP | 73049000 | SEAMLESS CARBON STEEL PIPE | 49.00 | 29,045 | 14,23,220 | PUC |
| 2009-10 | 20100219 | CHINA P RP | 73043939 | HYDRAULIC CYLINDER HONED TUBE - 170/150 | 48.39 | 60,136 | 29,10,120 | PUC |
| 2009-10 | 20100205 | UKRAINE | 73049000 | CARBON STEEL SEAMLESS PIPES STOCK LOT MIX SIZE | 48.00 | 24,733 | 11,87,194 | PUC |
| 2009-10 | 20100202 | U ARAB EMTS | 73049000 | CARBON STEEL PIPES (SECONDARY/DEFECTIVE) SEAMLESS PIPES | 47.00 | 22,127 | 10,39,972 | PUC |
| 2009-10 | 20100206 | CHINA P RP | 73043919 | CARBON STEEL SEAMLESS TUBES TO ASTM A179 (FULLY KILLED STEEL) SIZE 25 MM OD X | 45.00 | 37,567 | 16,90,510 | PUC |
| 2009-10 | 20100222 | SINGAPORE | 73049000 | CARBON STEEL SEAMLESS PIPES SECONDARY/DEFECTIVE | 44.00 | 23,369 | 10,28,229 | PUC |
| 2009-10 | 20100224 | CHINA P RP | 73045110 | BEARING QUALITY STEEL TUBE SUJ-3 TMB6304RDIR 30.15 X 5.4MM | 44.00 | 58,295 | 25,64,995 | PUC |
| 2009-10 | 20100215 | CHINA P RP | 73043119 | COLD DRAWN SEAMLESS PIPES (SIZE: 50.8X5.5X5800MM) | 44.00 | 36,882 | 16,22,807 | PUC |
| 2009-10 | 20100208 | CHINA P RP | 73041190 | CARBON STEEL SEAMLESS PIPE ASTM A106/API 5L GR B PSL 1 SIZEOD 88.9 MM X 17.12 M | 44.00 | 36,633 | 16,11,850 | PUC |
| 2009-10 | 20100223 | CHINA P RP | 73049000 | CARBON STEEL SEAMLESS PIPE API 5L GR B ASTM A53B/A106B | 44.00 | 28,444 | 12,51,532 | PUC |
| 2009-10 | 20100208 | U S A | 73049000 | SECONDARY CARBON STEEL PIPES SEAMLESS | 43.00 | 20,450 | 8,79,339 | PUC |
| 2009-10 | 20100205 | CHINA P RP | 73043911 | CARBON STEEL SEAMLESS MOTHER PIPE (HOT FINISHED)20 X 3.0 X 4500-5800MM | 43.00 | 45,284 | 19,47,222 | PUC |
| 2009-10 | 20100203 | CHINA P RP | 73049000 | CARBON STEEL SEAMLESS PIPE ASTM A 106 GR B / A 53 GR B / API 5L GR B / NACE MR | 43.00 | 32,570 | 14,00,522 | PUC |
| 2009-10 | 20100208 | ARGENTINA | 73043939 | SEAMLESS STEEL TUBES (GRADE DS202) SIZE:OD.267.00MMXWT.6.00MM ALLOY STEEL | 42.17 | 54,429 | 22,95,272 | PUC |
| 2009-10 | 20100216 | U S A | 73049000 | MS SECONDARY DEFECTIVE SEAMLESS PIPES | 42.00 | 24,367 | 10,23,399 | PUC |
| 2009-10 | 20100218 | SINGAPORE | 73049000 | SECONDARY /DEFECTIVE MILD STEEL PIPE | 42.00 | 21,235 | 8,91,854 | PUC |
| 2009-10 | 20100212 | CHINA P RP | 73045110 | BEARING QUALITY STEEL TUBE SAE-52100 6308OR 90.9 X 7.95MM | 42.00 | 53,484 | 22,46,321 | PUC |
| 2009-10 | 20100204 | CHINA P RP | 73043119 | CARBON STEEL SEAMLESS PIPES ASTM A106 GR.B 219*25*5800 MM | 42.00 | 31,085 | 13,05,550 | PUC |
| 2009-10 | 20100225 | CHINA P RP | 73049000 | CARBON STEEL SEAMLESS PIPES AS PER API 5L/A53 / ASTM A106 GRADE B | 42.00 | 25,941 | 10,89,531 | PUC |
| 2009-10 | 20100216 | JAPAN | 73049000 | CARBON STEEL SEAMLESS PIPE SECONDARY DEFECTIVE | 41.00 | 22,364 | 9,16,931 | PUC |
| 2009-10 | 20100222 | U S A | 73049000 | SECONDARY SECOND CHOICE CARBON STEEL SEAMLESS / WELDED PIPES | 41.00 | 16,484 | 6,75,846 | PUC |
| 2009-10 | 20100203 | CHINA P RP | 73045110 | BEARING QUALITY STEEL TUBE SAE 52100 AND SUJ-3 TMB6007 IR 44.2 X 5MM | 41.00 | 53,843 | 22,07,571 | PUC |
| 2009-10 | 20100202 | CHINA P RP | 73049000 | CARBON STEEL SEAMLESS PIPES CONFIRMING TO ASTM A519 | 40.00 | 34,591 | 13,83,647 | PUC |

**Import Data from DGCIS [All Countries PUC]
Apr 2009 to Jun 2012**

| Year | Date | Country | ITC-HS | Item-Des | Quantity (MT) | Price (Rs./MT) | Value (Rs) | PUC/ NPUC |
|---------|----------|----------------|----------|---|---------------|----------------|-------------|--------------|
| 2009-10 | 20100219 | GERMANY | 73041110 | SEAMLESS STEEL PIPES (RON 139.7X6.3 MM) ST35.8I FOR VESSEL V.NO.381-382 & 386 | 38.42 | 69,416 | 26,66,861 | PUC |
| 2009-10 | 20100217 | CZECH REPUBLIC | 73049000 | SEAMLESS STEEL PIPES(MILD STEEL) ASTM-106/API 5L GRADE B,ASME B-36 | 38.00 | 66,024 | 25,08,902 | PUC |
| 2009-10 | 20100211 | CHINA P RP | 73049000 | PRIME CARBON STEEL SEAMLESS PIPE TO ASTM A106 GR.B | 38.00 | 25,453 | 9,67,227 | PUC |
| 2009-10 | 20100222 | ITALY | 73043119 | CYLINDER TUBES (115 X 7.5 X 5000 ST523) | 37.87 | 52,505 | 19,88,425 | PUC |
| 2009-10 | 20100213 | U S A | 73042390 | DRILLPIPE, TRI-SPIRAL 5-1/2 IN OD X 3-1/4 IN ID X 31 FT LONG. 5-1/2 IN FH CONNE | 37.01 | 3,51,478 | 1,30,08,050 | PUC |
| 2009-10 | 20100208 | CHINA P RP | 73043919 | CARBON STEEL SEAMLESS TUBES TO ASTM A179 (FULLY KILLED STEEL) SIZE 25 MM OD X | 37.00 | 40,678 | 15,05,091 | PUC |
| 2009-10 | 20100217 | CHINA P RP | 73045110 | STEEL TUBE DIA 4.76X0.65MM WITH ZINC COATED (CAPTIVECONSUMTION) (NO ANTI DUMPI | 36.25 | 56,919 | 20,63,215 | PUC |
| 2009-10 | 20100209 | CHINA P RP | 73043939 | HYDRAULIC CYLINDER HONED TUBE -130/110(READY TO HONE) | 35.66 | 37,953 | 13,53,485 | PUC |
| 2009-10 | 20100201 | ROMANIA | 73043931 | PIPES (TO SPEC SA 106-CARBON STEEL)OD 273-368 X40-50X 5000-6000 | 35.00 | 1,59,345 | 55,77,064 | PUC |
| 2009-10 | 20100201 | U S A | 73042390 | 5 19.50#S-135 DRILL PIPE W/NC50 CONNS | 34.47 | 4,98,279 | 1,71,76,176 | PUC |
| 2009-10 | 20100202 | CHINA P RP | 73043919 | CARBON STEEL SEAMLESS TUBES TO ASTM A 106/API 5L GR B(SIZE:38.10MM OD X 3.60MM | 33.00 | 33,156 | 10,94,154 | PUC |
| 2009-10 | 20100210 | CHINA P RP | 73049000 | PRIME CARBON STEEL SEAMLESS PIPES GRADE : ASTM A 106 GR.B / API5L GR.B | 32.23 | 32,853 | 10,58,819 | PUC |
| 2009-10 | 20100210 | U S A | 73069090 | SECONDARY CARBON STEEL SEAMLESS PIPE | 32.00 | 20,381 | 6,52,179 | PUC |
| 2009-10 | 20100210 | CHINA P RP | 73045130 | SEAMLESS ALLOY STEEL PIPES SIZE OD 88.9 X 15.24 X5.7M-P22 | 31.68 | 59,722 | 18,92,108 | PUC |
| 2009-10 | 20100217 | CHINA P RP | 73045110 | STEEL TUBE DIA 4.76X0.55MM WITH COPPER COATED (CAPTIVECONSUMTION NO ANTI DUMPIN | 31.42 | 64,854 | 20,37,584 | PUC |
| 2009-10 | 20100210 | CHINA P RP | 73042390 | DRILL PIPE,3 1/2 ,G105 EU,RH,13.3 PPF* RH-II | 30.76 | 1,54,350 | 47,47,973 | PUC |
| 2009-10 | 20100224 | CHINA P RP | 73043939 | HYDRAULIC CYLINDER HONED TUBE -140*125 | 28.71 | 47,373 | 13,59,995 | PUC |
| 2009-10 | 20100225 | MALAYSIA | 73049000 | CARBON STEEL SECONDARY DEFECTIVE SEAMLESS PIPE | 27.00 | 24,642 | 6,65,340 | PUC |
| 2009-10 | 20100203 | CHINA P RP | 73045110 | SEAMLESS CARBON STEEL PIPE ASTM A 106/ASTM A 53, GR. B 8 SCH20 (219.1MM X 6 | 27.00 | 32,859 | 8,87,189 | PUC |
| 2009-10 | 20100225 | MALAYSIA | 73049000 | CARBON STEEL SECONDARY DEFECTIVE SEAMLESS PIPE | 26.00 | 23,873 | 6,20,688 | PUC |
| 2009-10 | 20100208 | U ARAB EMTS | 73069090 | M.S.SEAMLESS PIPE SECONDARY DEFECTIVE | 26.00 | 21,862 | 5,68,399 | PUC |
| 2009-10 | 20100216 | KUWAIT | 73049000 | CARBON STEEL PIPE FITTING SECONDARY/DEFECTIVE SECON CHOICE. | 26.00 | 18,979 | 4,93,462 | PUC |
| 2009-10 | 20100216 | U ARAB EMTS | 73049000 | SECONDARY DEFECTIVE CARBON STEEL SEAMLESS PIPES | 26.00 | 18,252 | 4,74,541 | PUC |
| 2009-10 | 20100211 | SINGAPORE | 73041910 | SECONDARY STEEL PIPE | 26.00 | 17,777 | 4,62,214 | PUC |
| 2009-10 | 20100203 | CHINA P RP | 73045920 | CARBON SEAMLESS STEEL PIPE DIA 159MM X 4.5MM X 3000MM | 26.00 | 43,347 | 11,27,012 | PUC |
| 2009-10 | 20100202 | CHINA P RP | 73049000 | CARBON SEAMLESS STEEL PIPES ASTM A106 GR B | 26.00 | 26,105 | 6,78,728 | PUC |
| 2009-10 | 20100203 | ITALY | 73041190 | SEAMLESS COLD DRAWN TUBES FOR HYDRAULIC CYLINDER ACCORDING110,00X****X10,00MM | 25.11 | 1,15,217 | 28,93,444 | PUC |
| 2009-10 | 20100223 | JAPAN | 73049000 | SECONDARY/SEAMLESS CARBON STEEL PIPES | 25.00 | 37,825 | 9,45,620 | PUC |
| 2009-10 | 20100225 | CHINA P RP | 73049000 | CARBON STEEL SEAMLESS PIPES API 5L / ASTM A106 GRADE B | 25.00 | 30,858 | 7,71,453 | PUC |
| 2009-10 | 20100215 | CHINA P RP | 73043139 | HYDRAULIC CYLINDER TUBE SIZE : 75 X 5000MM | 24.95 | 59,227 | 14,77,964 | PUC |
| 2009-10 | 20100201 | CHINA P RP | 73043911 | STEEL TUBE FOR CYLINDER | 24.06 | 13,212 | 3,17,871 | PUC |
| 2009-10 | 20100204 | KUWAIT | 73049000 | SECONDARY CARBON STEEL SEAMLESS PIPES SECOND CHOICE | 24.00 | 21,620 | 5,18,885 | PUC |
| 2009-10 | 20100202 | CHINA P RP | 73049000 | PRIME STEEL SEAMLESS PIPES GRADE : ASTM A 106 / API 5L GR.B | 24.00 | 35,809 | 8,59,404 | PUC |
| 2009-10 | 20100210 | CHINA P RP | 73043139 | SEAMLESS STEEL TUBES SIZE : 50.00 X 5.00 X 5800MM | 23.80 | 39,736 | 9,45,643 | PUC |
| 2009-10 | 20100217 | GERMANY | 98010013 | BOILER QUALITY SEAMLESS CARBON STEEL TUBES(RIFLE TUBES) TO SPECSA 210 S37/33/20 | 23.00 | 88,698 | 20,40,054 | PUC |
| 2009-10 | 20100202 | U ARAB EMTS | 73049000 | SECONDARY DEFECTIVE CARBON STEEL SEAMLESS PIPES | 23.00 | 21,833 | 5,02,161 | PUC |
| 2009-10 | 20100211 | CHINA P RP | 73041990 | SEAMLESS CARBON STEEL PIPE OUTSIDE DIAMETER-392MM X INSIDE DIAMETER-357MM X WAL | 23.00 | 39,495 | 9,08,394 | PUC |
| 2009-10 | 20100217 | CHINA P RP | 73049000 | SEAMLESS STEEL PIPES(MILD STEEL) API 5L/ASTM A 106/A 53 GR B (219.1MMX6.35MM) | 23.00 | 31,924 | 7,34,244 | PUC |
| 2009-10 | 20100223 | CHINA P RP | 73045110 | COLD DRAWN READY TO HONE PRECISION TUBE (90X108MM) | 22.82 | 30,883 | 7,04,626 | PUC |
| 2009-10 | 20100216 | CHINA P RP | 73043119 | SEAMLESS ALLOY STEEL & CARBON STEEL PIPES AND TUBES. OD 44.5 X 3.66 X RL OF 10 | 22.32 | 1,73,596 | 38,74,767 | PUC |
| 2009-10 | 20100204 | CHINA P RP | 73043119 | SKIVED AND BURNISHED TUBES(125 X 140 MM.) | 22.04 | 67,080 | 14,78,427 | PUC |

**Import Data from DGCIS [All Countries PUC]
Apr 2009 to Jun 2012**

| Year | Date | Country | ITC-HS | Item-Des | Quantity (MT) | Price (Rs./MT) | Value (Rs) | PUC/ NPUC |
|---------|----------|-------------|----------|---|---------------|----------------|------------|--------------|
| 2009-10 | 20100216 | U ARAB EMTS | 73041910 | CARBON STEEL PLATES 25X3000X12000MM (MATARIAL ARE REQUIRED FOR ONGC ICP-R PROJE | 22.00 | 63,583 | 13,98,836 | PUC |
| 2009-10 | 20100205 | UKRAINE | 73049000 | CARBON STEEL SEAMLESS PIPES STOCK LOT MIX SIZE | 22.00 | 24,259 | 5,33,691 | PUC |
| 2009-10 | 20100225 | SINGAPORE | 73049000 | SECONDARY CHOICE CARBON STEEL SEAMLESS PIPES | 22.00 | 22,489 | 4,94,766 | PUC |
| 2009-10 | 20100215 | U ARAB EMTS | 73049000 | SECONDARY CARBON STEEL SEAMLESS / WELDED PIPES | 22.00 | 18,699 | 4,11,385 | PUC |
| 2009-10 | 20100204 | CHINA P RP | 73043119 | SEAMLESS TUBES AS PER ASTM A106 GR.B/API 5LGR.B 20MM X 2 MM X 5-5.8M . | 22.00 | 34,528 | 7,59,626 | PUC |
| 2009-10 | 20100203 | U S A | 73049000 | SECONDARY SECOND CHOICE CARBON STEEL SEAMLESS / WELDED PIPES STOCK LOT | 21.00 | 16,483 | 3,46,152 | PUC |
| 2009-10 | 20100205 | CHINA P RP | 73049000 | STEEL TUBES 19.7MMX14.5MMX2.60MM | 20.86 | 1,04,850 | 21,87,171 | PUC |
| 2009-10 | 20100209 | U S A | 73049000 | SECONDARY/DEFECTIVE CARBON STEEL SEAMLESS PIPES | 20.00 | 22,570 | 4,51,404 | PUC |
| 2009-10 | 20100204 | CHINA P RP | 73045110 | BEARING QUALITY STEEL TUBE SAE-52100 AND SUJ-3 TMB6205MOR 52.7 X 4.45MM | 20.00 | 51,868 | 10,37,364 | PUC |
| 2009-10 | 20100223 | TAIWAN | 73042990 | DO ORIGINAL MATERIAL PIPES STKM 13C 89.7MM X 105 MM | 19.73 | 57,894 | 11,42,373 | PUC |
| 2009-10 | 20100219 | ARGENTINA | 73043911 | HOT FINISHED SEAMLESS STEEL TUBES (JIS G3429 DS 202) SIZE: OD: 267.00 MM WT: 6, | 19.46 | 54,336 | 10,57,425 | PUC |
| 2009-10 | 20100201 | U S A | 73049000 | SECONDARY SECOND CHOICE CARBON STEEL SEAMLESS / WELDED PIPES STOCK LOT | 19.00 | 16,990 | 3,22,803 | PUC |
| 2009-10 | 20100205 | CHINA P RP | 73043939 | CARBON STEEL SEAMLESS TUBES AISI 1035 SIZE:52.82 OD X 42.53ID MM | 19.00 | 46,729 | 8,87,847 | PUC |
| 2009-10 | 20100208 | CHINA P RP | 73042990 | 2-7/8 INCH TUBING,J-55,6.5PPF,EUE,R-2,WITH THREAD PROTECTORS (DETL.AS PER INVOI | 18.35 | 51,300 | 9,41,542 | PUC |
| 2009-10 | 20100224 | CHINA P RP | 73045110 | BEARING QUALITY STEEL TUBE SAE-52100 6307 OR 81.0 X 7.2 MM | 18.00 | 51,586 | 9,28,551 | PUC |
| 2009-10 | 20100218 | CHINA P RP | 73045110 | STEEL TUBE DIA 4.76X 0.60MM WITH COPPER COATED (CAPTIVE CONSUMTION) | 17.88 | 63,570 | 11,36,887 | PUC |
| 2009-10 | 20100210 | CHINA P RP | 73049000 | PRIME CARBON STEEL SEAMLESS PIPES GRADE : ASTM A 106 GR.B / API5L GR.B | 17.88 | 32,853 | 5,87,313 | PUC |
| 2009-10 | 20100224 | CHINA P RP | 73043939 | HYDRAULIC CYLINDER HONED TUBE -93*80 (READY TO HONE) | 16.31 | 81,413 | 13,28,010 | PUC |
| 2009-10 | 20100205 | CHINA P RP | 73041910 | STEEL TUBE (110MM X 125MM X 1150MM) | 16.05 | 72,185 | 11,58,719 | PUC |
| 2009-10 | 20100202 | CHINA P RP | 73043919 | CARBON STEEL SEAMLESS TUBES TO ASTM A 106/API 5 L GR B(SIZE:38.10MM ODX 3.60MM | 16.00 | 34,647 | 5,54,356 | PUC |
| 2009-10 | 20100216 | JAPAN | 73049000 | COLD DRAWN SEAMLESS PIN STEEL TUBE SCM415H OD 19.35MM X ID 12MM | 15.14 | 2,35,471 | 35,63,860 | PUC |
| 2009-10 | 20100203 | CHINA P RP | 73043119 | COLD DRAWN SEAMLESS CARBON STEEL HEAT EXCHANGER TUBES CONFORMING TO SPECN. SA 3 | 14.94 | 66,871 | 9,99,154 | PUC |
| 2009-10 | 20100203 | U ARAB EMTS | 73049000 | SECONDARY SECOND CHOICE CARBON STEEL SEAMLESS PIPESTOCK MIX LOT | 14.00 | 24,737 | 3,46,321 | PUC |
| 2009-10 | 20100206 | ITALY | 73043121 | COLD DRAWN TUBES (145 X 125) - HONED OR SKIVED BURNISHED | 13.79 | 1,12,642 | 15,53,121 | PUC |
| 2009-10 | 20100208 | CHINA P RP | 73049000 | CARBON STEEL SEAMLESS MOTHER PIPES (HOT FINISHED) [158.75MM X 19.05MM X 8.5 | 13.13 | 57,784 | 7,58,877 | PUC |
| 2009-10 | 20100225 | ROMANIA | 73043911 | CARBON STEEL PIPES | 13.00 | 1,73,488 | 22,55,342 | PUC |
| 2009-10 | 20100212 | U K | 73041990 | OILWELL EQUIPMENT: TUBE INNER,4.00X29FT,AL 6.75CBS PART NO. N015065140 | 13.00 | 1,03,667 | 13,47,672 | PUC |
| 2009-10 | 20100211 | CHINA P RP | 73049000 | CARBON STEEL SEAMLESS TUBE | 13.00 | 35,937 | 4,67,184 | PUC |
| 2009-10 | 20100225 | CHINA P RP | 73045920 | CARBON STEEL SEAMLESS PIPES AS PER API 5L GR B(OUTER DIAMETER 163.0 X WALL | 13.00 | 34,632 | 4,50,221 | PUC |
| 2009-10 | 20100217 | JAPAN | 73049000 | SEAMLESS ALLOY STEEL TUBES JIS G3441 SCM415TK 36.70MM OD X 28.10MM ID X 5M | 12.92 | 1,18,905 | 15,35,891 | PUC |
| 2009-10 | 20100217 | CHINA P RP | 73043119 | SEAMLESS MILD STEEL PIPE OF OUTER DIA 48MM INNER DIA 40MM & WALL THICK 4MM LEN | 12.00 | 40,545 | 4,86,542 | PUC |
| 2009-10 | 20100216 | SINGAPORE | 73041910 | SECONDARY STEEL PIPES | 11.00 | 19,356 | 2,12,921 | PUC |
| 2009-10 | 20100225 | CHINA P RP | 73043119 | SEAMLESS CARBON STEEL TUBE GRADE SAE52100/GCR15 SIZE 29.00 X 22.00 X 3.50 | 10.51 | 48,302 | 5,07,465 | PUC |
| 2009-10 | 20100205 | UNSPECIFIED | 73042390 | 5 HEAVY WEIGHT DRILL PIPE (OILFIELD PURPOSE) DGH CET. NO.ECIN201002030042 DT.0 | 10.00 | 1,46,871 | 14,68,710 | PUC |
| 2009-10 | 20100208 | U S A | 73049000 | MS SECONDARY DEFECTIVE SEAMLESS PIPES | 10.00 | 20,292 | 2,02,915 | PUC |
| 2009-10 | 20100210 | CHINA P RP | 73041190 | CARBON STEEL SEAMLESS PIPES 219.1X18.26 | 10.00 | 35,954 | 3,59,540 | PUC |
| 2009-10 | 20100226 | CHINA P RP | 73042390 | HEAVY WEIGHT DRILL PIPE 5 NOM X 3 ID 31 LONG WITH 6-1/2 OD-(OILFIELD PURPOSE) | 9.02 | 2,00,731 | 18,11,249 | PUC |
| 2009-10 | 20100203 | ITALY | 73041190 | SEAMLESS COLD DRAWN TUBES FOR HYDRAULIC CYLINDER ACCORDING 140,00X****X12,50MM | 8.86 | 1,04,893 | 9,29,139 | PUC |
| 2009-10 | 20100223 | CHINA P RP | 73045120 | COLD DRAWN READY TO HONE PRECISION TUBE (160X180MM) | 8.72 | 46,233 | 4,03,307 | PUC |
| 2009-10 | 20100215 | FRANCE | 73041910 | STEEL PLATES 30X3050X2000 MM (METRAIAL REQUIRED FOR ONGC ICP.R.PROJECT) | 8.44 | 45,004 | 3,79,786 | PUC |
| 2009-10 | 20100218 | TAIWAN | 73042910 | 8MM ROD,5700MM LENGTH WITHOUT HOT DIP | 8.05 | 92,700 | 7,46,418 | PUC |

**Import Data from DGCIS [All Countries PUC]
Apr 2009 to Jun 2012**

| Year | Date | Country | ITC-HS | Item-Des | Quantity (MT) | Price (Rs./MT) | Value (Rs) | PUC/ NPUC |
|---------|----------|-------------|----------|---|---------------|----------------|------------|--------------|
| 2009-10 | 20100216 | SINGAPORE | 73041910 | SECONDARY STEEL PIPES | 8.00 | 18,308 | 1,46,463 | PUC |
| 2009-10 | 20100226 | CHINA P RP | 73043119 | COLD DRAWN SEAMLESS TUBES SA 179 WITH T.C SIZE:31.75 X 3.25X 6100 MM | 8.00 | 42,433 | 3,39,465 | PUC |
| 2009-10 | 20100226 | CHINA P RP | 73043119 | COLD DRAWN SEAMLESS TUBES SA 179 WITH T.C SIZE:31.75 X 3.25X 6100 MM | 8.00 | 42,278 | 3,38,220 | PUC |
| 2009-10 | 20100206 | ITALY | 73043111 | COLD DRAWN TUBES (92 X 80) - HONED OR SKIVED BURNISHED | 6.64 | 89,231 | 5,92,935 | PUC |
| 2009-10 | 20100219 | CHINA P RP | 73049000 | COLD DRAWN SEAMLESS STEEL TUBE (FOR PISTON PIN) GRADE SCM-415H (JIS) (O.D. 13. | 6.16 | 2,91,678 | 17,97,903 | PUC |
| 2009-10 | 20100205 | JAPAN | 73049000 | SEAMLESS TUBES - SCM415H O.D.16.20 X I.D.11.0 (MM) | 6.07 | 2,49,420 | 15,13,683 | PUC |
| 2009-10 | 20100208 | JAPAN | 73049000 | COLD DRAWN SEAMLESS STEEL TUBE (FOR PISTON PIN) GRADE SCM-415H (JIS) (O.D.13.40 | 6.04 | 59,669 | 3,60,222 | PUC |
| 2009-10 | 20100223 | CHINA P RP | 73041910 | SEAMLESS STEEL TUBE GRADE:SAE52100/GCR15 (SIZE 52X39X6.5MM) | 5.61 | 56,078 | 3,14,821 | PUC |
| 2009-10 | 20100219 | CHINA P RP | 73049000 | COLD DRAWN SEAMLESS STEEL TUBE (FOR PISTON PIN) GRADE SCM-415H (JIS) (O.D. 13. | 5.38 | 2,61,057 | 14,03,181 | PUC |
| 2009-10 | 20100209 | CHINA P RP | 73042310 | HEAVY WEIGHT DRILL PIPES 5 OD 31FEETXSLICKXCENTRAL UPSET OF24 LONGXWITH OUT END | 5.26 | 2,07,332 | 10,90,440 | PUC |
| 2009-10 | 20100218 | CHINA P RP | 73041910 | SEAMLESS STEEL TUBE 25*3.2*6030 MM | 5.00 | 45,732 | 2,28,660 | PUC |
| 2009-10 | 20100205 | CHINA P RP | 73043931 | IRON RING (SIZE7.5 X DIA 21) | 4.57 | 1,00,090 | 4,57,412 | PUC |
| 2009-10 | 20100209 | CHINA P RP | 73045120 | COLD DRAWN SEAMLESS STEEL TUBE, FOR HYDRAULIC CYLINDER USE (140X125MMX4-6M) | 4.17 | 1,02,029 | 4,25,225 | PUC |
| 2009-10 | 20100129 | JAPAN | 73049000 | COLD DRAWN SEAMLESS STEEL TUBE ITEM NO. FRPP925 O.D.13.40MM X I.D. 9.00MM GRAD | 4.07 | 2,86,460 | 11,67,039 | PUC |
| 2009-10 | 20100216 | CHINA P RP | 73043119 | SEAMLESS ALLOY STEEL &CARBON STEEL PIPES & TUBES. OD50.8 X 4.50 X R/L OF 10- | 3.64 | 1,74,112 | 6,34,508 | PUC |
| 2009-10 | 20100208 | CHINA P RP | 73043919 | CARBON STEEL SEAMLESS TUBES TO ASTM A179 (FULLY KILLED STEEL) SIZE 25 MM OD X | 3.00 | 37,823 | 1,13,470 | PUC |
| 2009-10 | 20100206 | ITALY | 73043131 | COLD DRAWN TUBES (220 X 180) - HONED OR SKIVED BURNISHED | 2.50 | 1,33,226 | 3,33,064 | PUC |
| 2009-10 | 20100206 | CHINA P RP | 73043919 | CARBON STEEL SEAMLESS TUBES TO ASTM A179 (FULLY KILLED STEEL) SIZE 25 MM OD X | 2.00 | 46,251 | 92,501 | PUC |
| 2009-10 | 20100223 | CHINA P RP | 73049000 | HOT ROLLED TUBE (73X12.50MM(73X48) | 1.96 | 44,518 | 87,209 | PUC |
| 2009-10 | 20100223 | CHINA P RP | 73045130 | COLD DRAWN READY TO HONE PRECISION TUBE (220X273X3000MM) | 1.77 | 63,703 | 1,12,923 | PUC |
| 2009-10 | 20100211 | CHINA P RP | 73049000 | NON ALLOY C.S.SEAMLESS PIPES ASTM A 106-B/API 5 LB PSL1 OD168.3 X 9 X 10-12 MTR | 1.73 | 36,303 | 62,913 | PUC |
| 2009-10 | 20100219 | SINGAPORE | 73049000 | OILWELL EQUIPMENT : ELEVATOR, DRILL PIPE, SIZE 6-5/8 IEU, 18 DEG, BJ TYPE SPL, | 1.17 | 2,00,166 | 2,33,393 | PUC |
| 2009-10 | 20100203 | U ARAB EMTS | 73049000 | SECONDARY SECOND CHOICE CARBON STEEL SEAMLESS PIPESTOCK MIX LOT | 1.00 | 24,033 | 24,033 | PUC |
| 2009-10 | 20100215 | SAUDI ARAB | 73049000 | SECONDARY SECOND CARBON STEEL SEAMLESS / WELDED PIPES MIXED THICKNESS MIXED LO | 1.00 | 16,493 | 16,493 | PUC |
| 2009-10 | 20100215 | SAUDI ARAB | 73049000 | SECONDARY SECOND CARBON STEEL SEAMLESS / WELDED PIPES MIXED THICKNESS MIXED LO | 1.00 | 16,493 | 16,493 | PUC |
| 2009-10 | 20100218 | SAUDI ARAB | 73049000 | SECONDARY SECOND CARBON STEEL SEAMLESS / WELDED PIPES MIXED THICKNESS MIXED LO | 1.00 | 16,493 | 16,493 | PUC |
| 2009-10 | 20100210 | U S A | 73069090 | SECONDARY CARBON STEEL SEAMLESS PIPE | 1.00 | 198 | 198 | PUC |
| 2009-10 | 20100218 | CHINA P RP | 73041910 | SEAMLESS STEEL TUBE 38*3.2*6040 MM | 1.00 | 65,592 | 65,592 | PUC |
| 2009-10 | 20100225 | CHINA P RP | 73049000 | SECONDARY CARBON STEEL PIPE THICKNESS MIXED LOT. | 1.00 | 26,719 | 26,719 | PUC |
| 2009-10 | 20100203 | U ARAB EMTS | 73049000 | SECONDARY SECOND CHOICE CARBON STEEL SEAMLESS PIPE & PIPES FITTINGS FLACH STOCK | 0.72 | 30,042 | 21,630 | PUC |
| 2009-10 | 20100202 | CHINA P RP | 73049000 | CARBON STEEL SEAMLESS PIPES CONFIRMING TO ASTM A519 | 0.61 | 34,592 | 21,170 | PUC |
| 2009-10 | 20100208 | CHINA P RP | 73049000 | CARBON STEEL SEAMLESS MOTHER PIPES (HOT FINISHED) [158.75MM X 19.05MM X 8.52 | 0.59 | 57,783 | 33,861 | PUC |
| 2009-10 | 20100219 | CHINA P RP | 73049000 | COLD DRAWN SEAMLESS STEEL TUBE (FOR PISTON PIN) GRADE SCM-415H (JIS) (O.D. 13. | 0.50 | 2,61,056 | 1,30,528 | PUC |
| 2009-10 | 20100220 | GERMANY | 73044100 | TUBE HP, 3/8 L=1 METER | 0.45 | 1,05,060 | 47,277 | PUC |
| 2009-10 | 20100202 | SAUDI ARAB | 73049000 | SECONDARY SECOND CARBON STEEL SEAMLESS / WELDED PIPES MIXED THICKNESS MIXED LO | 0.40 | 20,618 | 8,247 | PUC |
| 2009-10 | 20100202 | SAUDI ARAB | 73049000 | SECONDARY SECOND CARBON STEEL SEAMLESS / WELDED PIPES MIXED THICKNESS MIXED LOT | 0.40 | 20,618 | 8,247 | PUC |
| 2009-10 | 20100204 | AUSTRIA | 73043119 | SEAMLESS PIPE 4 DIA SCH 120 OUT OF MATERIAL: ASTM A 106 GR. C SIZE: 114,3 OD X | 0.30 | 1,40,360 | 42,108 | PUC |
| 2009-10 | 20100210 | BELGIUM | 73049000 | ROD END, P/N: 1162481, (FORKLIFT PARTS) | 0.10 | 41,100 | 4,110 | PUC |
| 2009-10 | 20100205 | UKRAINE | 73049000 | CARBON STEEL SEAMLESS PIPES STOCK LOT MIX SIZE | 0.07 | 1,03,971 | 7,278 | PUC |
| 2009-10 | 20100215 | U ARAB EMTS | 73049000 | SECONDARY CARBON STEEL SEAMLESS / WELDED PIPES | 0.06 | 31,067 | 1,864 | PUC |
| 2009-10 | 20100218 | SINGAPORE | 73049000 | SECONDARY /DEFECTIVE MILD STEEL PIPE | 0.05 | 1,25,820 | 6,291 | PUC |

**Import Data from DGCIS [All Countries PUC]
Apr 2009 to Jun 2012**

| Year | Date | Country | ITC-HS | Item-Des | Quantity (MT) | Price (Rs./MT) | Value (Rs) | PUC/ NPUC |
|---------|----------|------------|----------|--|---------------|----------------|-------------|--------------|
| 2009-10 | 20100201 | U S A | 73049000 | SECONDARY SECOND CHOICE CARBON STEEL SEAMLESS / WELDED PIPES STOCK LOT | 0.04 | 93,314 | 3,266 | PUC |
| 2009-10 | 20100201 | U S A | 73049000 | SECONDARY SECOND CHOICE CARBON STEEL SEAMLESS / WELDED PIPES STOCK LOT | 0.04 | 93,314 | 3,266 | PUC |
| 2009-10 | 20100203 | ISRAEL | 73049000 | BRANCH PIPE 3/4 L-207-SPARE FOR CRUDE PETROLEUM REFINERY (LIST NO 17 SR NO 45) | 0.03 | 1,25,100 | 3,753 | PUC |
| 2009-10 | 20100205 | UKRAINE | 73049000 | CARBON STEEL SEAMLESS PIPES STOCK LOT MIX SIZE | 0.02 | 1,21,300 | 2,426 | PUC |
| 2009-10 | 20100222 | SINGAPORE | 73049000 | CARBON STEEL SEAMLESS PIPES SECONDARY/DEFECTIVE | 0.02 | 1,16,500 | 2,330 | PUC |
| 2009-10 | 20100222 | U S A | 73049000 | SECONDARY SECOND CHOICE CARBON STEEL SEAMLESS / WELDED PIPES | 0.02 | 1,08,867 | 1,633 | PUC |
| 2009-10 | 20100222 | U S A | 73049000 | SECONDARY SECOND CHOICE CARBON STEEL SEAMLESS / WELDED PIPES STOCK LOT | 0.02 | 1,08,867 | 1,633 | PUC |
| 2009-10 | 20100203 | U S A | 73049000 | SECONDARY SECOND CHOICE CARBON STEEL SEAMLESS / WELDED PIPES STOCK LOT | 0.02 | 98,000 | 1,470 | PUC |
| 2009-10 | 20100215 | U S A | 73049000 | SECONDARY SECOND CHOICE CARBON STEEL SEAMLESS / WELDED PIPES STOCK LOT | 0.01 | 1,66,500 | 1,665 | PUC |
| 2009-10 | 20100201 | NORWAY | 73049000 | SECONDARY/DEFECTIVE CARBON STEEL SEAMLESS PIPES | 0.01 | 1,06,100 | 1,061 | PUC |
| 2009-10 | 20100330 | CHINA P RP | 73043119 | SEAMLESS CARBON STEEL AND ALLOY STEEL TUBES OD.76.2X12.00XR/L OF 10-12MTR GRADE | 2,549.34 | 9,293 | 2,36,90,262 | PUC |
| 2009-10 | 20100331 | CHINA P RP | 73042910 | PLAIN END SEAMLESS COUPLING STOCK SIZE: 6.050 OD X 4.924 ID (61.815 MTS= 1249 | 2,039.92 | 20,203 | 4,12,13,437 | PUC |
| 2009-10 | 20100329 | CHINA P RP | 73043911 | SEAMLESS CARBON STEEL HOLLOWLS 54.3-70X6.7-78X9600MM | 1,997.00 | 40,149 | 8,01,77,439 | PUC |
| 2009-10 | 20100308 | CHINA P RP | 73062919 | CASING (244.475 MM O.D) USE IN OILWELL DRILLING OPERATION | 1,129.03 | 47,023 | 5,30,89,892 | PUC |
| 2009-10 | 20100304 | RUSSIA | 73042990 | CASING PIPE, 9 5/8, CASING N-80, 43.5 PPF, BTC (1339 PCS),EC NO.: ECIN201002190 | 1,067.36 | 54,632 | 5,83,12,656 | PUC |
| 2009-10 | 20100308 | CHINA P RP | 73042990 | OILFIELD EQUIPMENT-4 1/2 13.5# N 80 BTC SMLS COUPLING | 967.90 | 41,250 | 3,99,26,051 | PUC |
| 2009-10 | 20100322 | BELGIUM | 73041990 | HOT FINISHED SEAMLESS LINE PIPES273.1X20.6X11000-12700MM.11NOS | 923.65 | 83,970 | 7,75,59,538 | PUC |
| 2009-10 | 20100309 | CHINA P RP | 73042390 | TUBING (73.025 MM) USED IN OILWELL OPERATION (TOTAL 8375 PCS) | 734.06 | 49,222 | 3,61,32,024 | PUC |
| 2009-10 | 20100311 | GERMANY | 73043911 | BOILER QUALITY SEAMLESS CARBON STEEL TUBES (TO SPEC SA 210) | 696.00 | 60,066 | 4,18,05,796 | PUC |
| 2009-10 | 20100309 | CHINA P RP | 73049000 | SEAMLESS PIPE, BE, IBR, 8 INCH, B36.10, SCH 40, ASTM A 106 GR.B | 693.24 | 63,653 | 4,41,27,029 | PUC |
| 2009-10 | 20100329 | CHINA P RP | 73043911 | SEAMLESS CARBON STEEL HOLLOWLS 54X6.2X9000MM | 547.00 | 40,747 | 2,22,88,398 | PUC |
| 2009-10 | 20100305 | CHINA P RP | 73042910 | PLAIN END SEAMLESS COUPLING STOCK SIZE: 5.563 ODX4.432 ID(16.182 MTS=368.44 M | 537.29 | 22,912 | 1,23,10,600 | PUC |
| 2009-10 | 20100329 | CHINA P RP | 73043911 | SEAMLESS CARBON STEEL HOLLOWLS 70-54X9.5-6.2X10400-9000MM | 493.00 | 42,198 | 2,08,03,720 | PUC |
| 2009-10 | 20100310 | CHINA P RP | 73045930 | SEAMLESS STEEL GAS CYLINDER TUBE 232MM X 5.4MM | 456.00 | 43,487 | 1,98,29,885 | PUC |
| 2009-10 | 20100303 | CHINA P RP | 73041990 | CARBON STEEL SEAMLESS PIPE API 5L GR. B PSL - 1/ASTM A106 GR B (SIZE 6 , OD 16 | 427.00 | 43,290 | 1,84,84,780 | PUC |
| 2009-10 | 20100329 | NORWAY | 73043119 | MILD STEEL SECODN/DEFECTIVE PIPES | 404.01 | 15,161 | 61,25,296 | PUC |
| 2009-10 | 20100330 | CHINA P RP | 73043911 | SEAMLESS CARBON STEEL HOLLOWLS TO SPEC SA 210 | 378.00 | 40,157 | 1,51,79,468 | PUC |
| 2009-10 | 20100318 | CHINA P RP | 73049000 | CARBON STEEL SEAMLESS PIPES. (M.S)API5L/ASTM A106/A53 GRB SIZE:273.1MM X 21.44M | 371.00 | 32,701 | 1,21,32,255 | PUC |
| 2009-10 | 20100318 | CHINA P RP | 73049000 | CARBON STEEL SEAMLESS PIPES. (M.S) SIZE 273.1MM X21.44MM | 370.00 | 32,800 | 1,21,35,977 | PUC |
| 2009-10 | 20100315 | CHINA P RP | 73045910 | CS SEAMLESS TUBES OD 51X3.60MM THK SA 210 GR A1 | 365.99 | 39,779 | 1,45,58,625 | PUC |
| 2009-10 | 20100308 | JAPAN | 73041990 | 9-5/8 47PPF,L80,BTC,R3 | 363.18 | 60,745 | 2,20,61,384 | PUC |
| 2009-10 | 20100311 | CHINA P RP | 73049000 | CARBON STEEL SEAMLESS LINE PIPES API 5L GRADE B / ASTM A 106 GRADE B | 339.00 | 33,268 | 1,12,77,960 | PUC |
| 2009-10 | 20100305 | CHINA P RP | 73049000 | CARBON STEEL SEAMLESS PIPES 273.1MM X 15.09MM | 325.00 | 32,332 | 1,05,07,928 | PUC |
| 2009-10 | 20100322 | ROMANIA | 98010013 | PIPES TO SPEC SA 106 [CARBON STEEL] S37/33/2009/GR6 CIF RS 47640379 | 298.00 | 1,59,867 | 4,76,40,380 | PUC |
| 2009-10 | 20100310 | U K | 73042990 | SUPPLY OF REGULAR SIZE CASING PIPES 9-5/8 J-55,40 PPF BTC(4995.82 METERS=300. | 297.30 | 32,994 | 98,09,155 | PUC |
| 2009-10 | 20100311 | CHINA P RP | 98010013 | SEAMLESS CARBON STEEL HOLLOWLS TO SPEC SA 210 GR COD82.50X8.80X10800 (S37/33/200 | 271.00 | 40,247 | 1,09,06,991 | PUC |
| 2009-10 | 20100305 | CHINA P RP | 73049000 | PRIME CARBON STEEL SEAMLESS PIPES GRADE : ASTM A106 GR.B / API5L GR.B | 268.66 | 33,588 | 90,23,760 | PUC |
| 2009-10 | 20100315 | GERMANY | 73043119 | SEAMLESS TUBE HOLLOWLS ST 30 AL SIZE 30,000X 4,000 MM (RL- 10,000.00 -12,000.0 | 268.11 | 43,151 | 1,15,69,367 | PUC |
| 2009-10 | 20100315 | CHINA P RP | 73049000 | PRIME CARBON STEEL SEAMLESS PIPES GRADE : ASTM A 106 GR.B / API5L GR.B | 266.75 | 33,588 | 89,59,459 | PUC |
| 2009-10 | 20100325 | BELGIUM | 73049000 | SECONDARY CARBON SEAMLESS PIPE | 256.00 | 18,436 | 47,19,694 | PUC |
| 2009-10 | 20100316 | CHINA P RP | 73041110 | CARBON STEEL SEAMLESS PIPE ASTM A106/API 5 L GR B PSLI SIZE168.3 MM ODX18.26 MM | 250.00 | 34,000 | 84,99,968 | PUC |

**Import Data from DGCIS [All Countries PUC]
Apr 2009 to Jun 2012**

| Year | Date | Country | ITC-HS | Item-Des | Quantity (MT) | Price (Rs./MT) | Value (Rs) | PUC/ NPUC |
|---------|----------|------------|----------|---|---------------|----------------|-------------|--------------|
| 2009-10 | 20100302 | CHINA P RP | 73049000 | CARBON STEEL SEAMLESS PIPES ASTM A 106 GRADE B / API 5L GRADE B | 242.00 | 31,115 | 75,29,863 | PUC |
| 2009-10 | 20100310 | CHINA P RP | 73042990 | SEAMLESS STEEL PIPE API 5L GRADE B 141.3MMX 6.55MM | 230.00 | 40,837 | 93,92,468 | PUC |
| 2009-10 | 20100305 | CHINA P RP | 73041910 | CARBON STEEL SEAMLESS MOTHER PIPES 48.3 X 3.68 X 8100-8400 | 224.00 | 35,277 | 79,02,102 | PUC |
| 2009-10 | 20100302 | CHINA P RP | 73045110 | BEARING QUALITY STEEL TUBE SAE-52100 SIZE : 72.28 X 60.20 MM (GRADE GCR15) | 216.17 | 46,783 | 1,01,12,942 | PUC |
| 2009-10 | 20100315 | CHINA P RP | 73049000 | CARBON STEEL SEAMLESS PIPES ASTM A 106 GRADE B / API 5L GRADE B | 211.00 | 28,927 | 61,03,612 | PUC |
| 2009-10 | 20100305 | CHINA P RP | 73049000 | CARBON STEEL SEAMLESS PIPES(M.S.) 273.1MMX28.58MM | 203.00 | 33,817 | 68,64,751 | PUC |
| 2009-10 | 20100318 | ITALY | 98010013 | SEAMLESS STEEL PIPES HF TO SPEC SA 106 (CARBON STEEL) S37/8/2010/GR6 CIF RS.166 | 202.00 | 82,641 | 1,66,93,546 | PUC |
| 2009-10 | 20100325 | CHINA P RP | 73049000 | HOT FINISHED SEAMLESS STEEL TUBE (GRADE 37MN) | 201.00 | 45,570 | 91,59,518 | PUC |
| 2009-10 | 20100304 | RUSSIA | 73042990 | CASING PIPE, 9 5/8, CASING N-80, 43.5 PPF, BTC (247 PCS), EC NO.: ECIN20100219 | 194.12 | 54,639 | 1,06,06,525 | PUC |
| 2009-10 | 20100325 | CHINA P RP | 73049000 | PRIME STEEL SEAMLESS PIPES GRADE : ASTM A 106 GR.B/API5L SIZE: (OD-127) (WT-12 | 192.00 | 34,648 | 66,52,333 | PUC |
| 2009-10 | 20100308 | CHINA P RP | 73049000 | PRIME CARBON STEEL SEAMLESS PIPES TO ASTM A106 GRADE B | 191.00 | 28,806 | 55,02,000 | PUC |
| 2009-10 | 20100323 | GERMANY | 73049000 | SECONDARY DEFECTIVE CARBON STEEL SEAMLESS PIPE/TUBE | 187.00 | 30,983 | 57,93,775 | PUC |
| 2009-10 | 20100302 | CHINA P RP | 73049000 | CARBON STEEL SEAMLESS PIPES API 5L / ASTM A106 GRADE B | 182.00 | 28,457 | 51,79,083 | PUC |
| 2009-10 | 20100319 | SWEDEN | 73045110 | SECONDARY AND DEFECTIVE SEAMLESS STEEL TUBES, GRADE: ST 52-3, SIZE: THICK XLENG | 176.00 | 26,814 | 47,19,274 | PUC |
| 2009-10 | 20100311 | SWEDEN | 73045110 | SECONDARY AND DEFECTIVE SEAMLESS STEEL TUBES, GRADE: 100CR6 THICK XLENGTH : 40. | 155.00 | 26,700 | 41,38,542 | PUC |
| 2009-10 | 20100323 | SAUDI ARAB | 73049000 | SECONDARY SECOND CARBON STEEL SEAMLESS/WELDED PIPES MIXED THICKNESS MIXED LOT | 155.00 | 16,513 | 25,59,564 | PUC |
| 2009-10 | 20100323 | SAUDI ARAB | 73049000 | SECONDARY SECOND CARBON STEEL SEAMLESS/WELDED PIPES MIXED THICKNESS MIXED LOT | 155.00 | 16,513 | 25,59,564 | PUC |
| 2009-10 | 20100330 | CHINA P RP | 73043911 | SEAMLESS CARBON STEEL HOLLOW TO SPEC SA 192 | 155.00 | 40,287 | 62,44,466 | PUC |
| 2009-10 | 20100308 | U S A | 73049000 | CARBON STEEL SEAMLESS/WELDED PIPE SECONDARY DEFECTIVE | 152.00 | 15,203 | 23,10,914 | PUC |
| 2009-10 | 20100310 | CHINA P RP | 73049000 | CARBON STEEL SEAMLESS PIPE ASTM A 106 GR B / A 53 GR B / API 5L GR B SIZE 114. | 151.00 | 31,602 | 47,71,834 | PUC |
| 2009-10 | 20100308 | GERMANY | 73049000 | SECONDARY DEFECTIVE CARBON STEEL SEAMLESS PIPE | 150.00 | 24,903 | 37,35,520 | PUC |
| 2009-10 | 20100303 | CHINA P RP | 73043939 | HOT FINISHED CARBON STEEL SEAMLESS PIPES (MOTHER HOLLOW) DIN 17175 SIZE:OD 27MM | 146.00 | 38,662 | 56,44,612 | PUC |
| 2009-10 | 20100326 | CHINA P RP | 73045110 | BEARING QUALITY STEEL TUBE SAE-52100,SAE-8620 AND SUJ-3 SIZE:40.9X4.8MM | 144.00 | 54,860 | 78,99,852 | PUC |
| 2009-10 | 20100311 | CHINA P RP | 73049000 | CARBON STEEL SEAMLESS PIPES ASTM A 210 GR.A1 BLACK PAINTING PLAIN ENDS | 143.00 | 30,960 | 44,27,338 | PUC |
| 2009-10 | 20100325 | U S A | 73049000 | PIPE OD 127 MM WT 254 MM (LENTH + / -8 M EACH)+/-26 TON | 137.52 | 94,959 | 1,30,58,357 | PUC |
| 2009-10 | 20100329 | CHINA P RP | 73043911 | SEAMLESS CARBON STEEL HOLLOW 60.3X10.5X8800MM | 136.00 | 45,914 | 62,44,267 | PUC |
| 2009-10 | 20100324 | U K | 73049000 | SECONDARY SECOND CHOICE CARBON STEEL SEAMLESS / WELDED PIPES | 132.00 | 16,345 | 21,57,601 | PUC |
| 2009-10 | 20100309 | U K | 73049000 | SECONDARY CARBON STEEL PIPES SEAMLESS | 131.00 | 19,409 | 25,42,638 | PUC |
| 2009-10 | 20100302 | CHINA P RP | 73045110 | BEARING QUALITY STEEL TUBE SAE-52100 SIZE:42.25X36.57MM (GRADE GCR15) | 130.06 | 46,593 | 60,59,652 | PUC |
| 2009-10 | 20100305 | SAUDI ARAB | 73049000 | SECONDARY SECOND CARBON STEEL SEAMLESS/WELDED PIPES MIXED THICKNESS MIXED LOT. | 130.00 | 16,625 | 21,61,314 | PUC |
| 2009-10 | 20100305 | SAUDI ARAB | 73049000 | SECONDARY SECOND CARBON STEEL SEAMLESS/ WELDED PIPES, MIXED THICKNESS MIXED LOT | 130.00 | 16,511 | 21,46,454 | PUC |
| 2009-10 | 20100317 | CHINA P RP | 73041910 | SEAMLESS STEEL TUBES PIPES [ASTM A106 GR] SIZE:76MMX6.3MMX5.8MTR | 129.70 | 34,935 | 45,30,861 | PUC |
| 2009-10 | 20100312 | U S A | 73049000 | CARBON STEEL SECONDARY PIPE | 128.00 | 19,946 | 25,53,080 | PUC |
| 2009-10 | 20100305 | SAUDI ARAB | 73049000 | SECONDARY SECOND CARBON STEEL SEAMLESS/ WELDED PIPES, MIXED THICKNESS MIXED LOT | 128.00 | 16,589 | 21,23,338 | PUC |
| 2009-10 | 20100305 | SAUDI ARAB | 73049000 | SECONDARY SECOND CARBON STEEL SEAMLESS/ WELDED PIPES, MIXED THICKNESS MIXED LOT | 128.00 | 16,589 | 21,23,338 | PUC |
| 2009-10 | 20100305 | SAUDI ARAB | 73049000 | SECONDARY SECOND CARBON STEEL SEAMLESS/WELDED PIPES MIXED THICKNESS MIXED LOT | 127.00 | 16,563 | 21,03,525 | PUC |
| 2009-10 | 20100303 | CHINA P RP | 73049000 | CARBON STEEL SEAMLESS PIPES, EX-STOCK | 127.00 | 23,467 | 29,80,328 | PUC |
| 2009-10 | 20100317 | CHINA P RP | 73045110 | BEARING QUALITY STEEL TUBE SAE-52100 SIZE 25.26 X 20.97MM(GRADE-GCR15) | 126.54 | 47,756 | 60,42,841 | PUC |
| 2009-10 | 20100311 | SINGAPORE | 73049000 | SECONDARY CARBON STEEL SEAMLESS PIPE | 123.00 | 21,367 | 26,28,109 | PUC |
| 2009-10 | 20100322 | U S A | 73049000 | CARBON STEEL SECONDARY PIPES | 123.00 | 20,001 | 24,60,132 | PUC |
| 2009-10 | 20100318 | CHINA P RP | 73049000 | SEAMLESS CARBON STEEL PIPES API 5L/ASTM A106 A53 GR B 88.9MM X 11.13MM | 123.00 | 31,701 | 38,99,201 | PUC |

Import Data from DGCIS [All Countries PUC]

Apr 2009 to Jun 2012

| Year | Date | Country | ITC-HS | Item-Des | Quantity (MT) | Price (Rs./MT) | Value (Rs) | PUC/ NPUC |
|---------|----------|-------------|----------|---|---------------|----------------|-------------|--------------|
| 2009-10 | 20100303 | GERMANY | 73045110 | CARBON STEEL TUBES IN SPEC SA 210 GR.A1,A210 GR.1 SIZE RANGE 31MM OD TO 102MM O | 122.43 | 64,464 | 78,92,265 | PUC |
| 2009-10 | 20100304 | CHINA P RP | 73043919 | CARBON STEEL SEAMLESS TUBES TO ASTM A 179(SIZE 25MM OD X 2.5MM W T X 10.6-11.8 | 119.00 | 37,602 | 44,74,620 | PUC |
| 2009-10 | 20100309 | CHINA P RP | 73045110 | COLD DRAWN SEAMLESS CARBON STEEL TUBES ASTM A 519 GRADE SAE1541 (SIZE: 88.90 X | 113.00 | 48,699 | 55,02,981 | PUC |
| 2009-10 | 20100315 | CHINA P RP | 73049000 | CARBON STEEL SEAMLESS TUBE GRADE ASTM A 106 GRADE BHOT ROLLED | 112.00 | 28,949 | 32,42,268 | PUC |
| 2009-10 | 20100318 | BELGIUM | 73049000 | SECONDARY CARBON STEEL SEAMLESS PIPES | 111.00 | 22,859 | 25,37,294 | PUC |
| 2009-10 | 20100329 | CHINA P RP | 73041910 | SEAMLESS CARBON STEEL PIPES API5L/ASTM A106 GR. B 88.9MMX5.49MM 88.9MMX7.62MM 1 | 111.00 | 31,475 | 34,93,740 | PUC |
| 2009-10 | 20100319 | U S A | 73069090 | M.S. SECONDARY PIPES (UNUSED AND PARTLY RUSTED) | 109.00 | 18,969 | 20,67,578 | PUC |
| 2009-10 | 20100304 | JAPAN | 73049000 | SECONDARY SECOND CHOICE CARBON STEEL SEAMLESS PIPES (MIX SIZES) | 107.00 | 28,109 | 30,07,638 | PUC |
| 2009-10 | 20100315 | CHINA P RP | 73049000 | CARBON STEEL SEAMLESS PIPE ASTM A 106 GR B / API 5L GR B SIZE 114.3MM X 6.0MM | 104.00 | 35,112 | 36,51,698 | PUC |
| 2009-10 | 20100311 | CHINA P RP | 73069090 | BEARING SEAMLESS STEEL TUBE - 61902 OR (7 BDL) | 102.59 | 71,193 | 73,03,671 | PUC |
| 2009-10 | 20100305 | CHINA P RP | 73045930 | SEAMLESS STEEL GAS CYLINDER TUBE 139.7MM X 4.5MM | 102.00 | 48,502 | 49,47,188 | PUC |
| 2009-10 | 20100303 | CHINA P RP | 73043139 | 19162 KGS GRADE 20 CDS AND ST-52 CDS HONED AND READY TO HONE TUBES 194X160 (ST | 101.48 | 14,902 | 15,12,166 | PUC |
| 2009-10 | 20100318 | CHINA P RP | 73049000 | CARBON SEAMLESS STEEL PIPES | 101.00 | 29,528 | 29,82,324 | PUC |
| 2009-10 | 20100304 | JAPAN | 73049000 | SECONDARY SECOND CHOICE CARBON STEEL SEAMLESS PIPES (MIX SIZES) | 100.00 | 27,969 | 27,96,867 | PUC |
| 2009-10 | 20100327 | CHINA P RP | 73049000 | PRIME CARBON STEEL SEAMLESS PIPES (ASTM A106 GR.B)(1 1/2 X SCH160 X 5800MM) | 100.00 | 42,483 | 42,48,250 | PUC |
| 2009-10 | 20100329 | CHINA P RP | 73049000 | CARBON STEEL SEAMLESS PIPES ASTM A 210 GR.A1 BLACK PAINTINGPLAIN ENDS | 100.00 | 31,087 | 31,08,734 | PUC |
| 2009-10 | 20100323 | UKRAINE | 73049000 | SECONDARY CARBON STEEL SEAMLESS PIPES IN MIXED SIZES, LENGTHS AND UNFINISHED E | 99.00 | 23,490 | 23,25,502 | PUC |
| 2009-10 | 20100330 | CHINA P RP | 73049000 | CARBON STEEL SEAMLESS HOT FINISHED PIPES (MOTHER HOLLOW) GRADE DIN 17175 SIZE | 99.00 | 40,479 | 40,07,468 | PUC |
| 2009-10 | 20100319 | CHINA P RP | 73061929 | CARBON SEAMLESS PIPES | 98.00 | 38,198 | 37,43,356 | PUC |
| 2009-10 | 20100315 | CHINA P RP | 73049000 | SEAMLESS CARBON STEEL PIPES CONFIRMATION TO SPECIFICATION API 5L/ ASTM A 106/ A | 98.00 | 31,281 | 30,65,584 | PUC |
| 2009-10 | 20100312 | CHINA P RP | 73042990 | TUBING:SIZE,2-3/8 ,5.95 PPF,P-110,EUE,RANGE-II,API 5CT | 96.38 | 2,01,447 | 1,94,15,917 | PUC |
| 2009-10 | 20100312 | U S A | 73049000 | CARBON STEEL SECONDARY PIPE | 96.00 | 20,053 | 19,25,088 | PUC |
| 2009-10 | 20100305 | KUWAIT | 73049000 | SECONDARY CARBON STEEL PIPES SEAMLESS | 95.00 | 19,787 | 18,79,732 | PUC |
| 2009-10 | 20100303 | CHINA P RP | 73043119 | CARBON STEEL SEAMLESS LINE PIPES API 5L/ASTM A-106 GR.B | 95.00 | 30,621 | 29,08,989 | PUC |
| 2009-10 | 20100305 | KUWAIT | 73049000 | SECONDARY DEFECTIVE CARBON STEEL SEAMLESS PIPES | 94.00 | 19,532 | 18,36,008 | PUC |
| 2009-10 | 20100318 | CHINA P RP | 73049000 | SEAMLESS CARBON STEEL PIPES API 5L/ASTM A106/A53 GR.B 88.9MM X 5.49MM | 93.00 | 35,625 | 33,13,088 | PUC |
| 2009-10 | 20100330 | ITALY | 73043911 | COLD DRAWN SEAMLESS STEEL TUBE128.00 X 9.00 X 1.00.E355 | 90.23 | 65,035 | 58,68,056 | PUC |
| 2009-10 | 20100318 | U S A | 73043911 | SECONDARY DEFECTIVE MS SEAMLESS PIPE | 87.00 | 22,197 | 19,31,179 | PUC |
| 2009-10 | 20100315 | CHINA P RP | 73049000 | CARBON STEEL SEAMLESS PIPES API 5L / ASTM A 106 GRADE B | 87.00 | 29,045 | 25,26,945 | PUC |
| 2009-10 | 20100317 | CHINA P RP | 73043911 | SEAMLESS CARBON STEEL PIPES API 5L/ASTM A106/A53 GR.B 114.3MM X 6.02MM | 86.00 | 33,059 | 28,43,060 | PUC |
| 2009-10 | 20100311 | CHINA P RP | 73069090 | SEAMLESS STEEL TUBES 6301IR (BEARING QUALITY) | 82.88 | 55,213 | 45,76,070 | PUC |
| 2009-10 | 20100320 | CONGO P REP | 73041990 | SECONDAERY CARBON M.S. SEAMLESS PIPES | 80.00 | 22,856 | 18,28,496 | PUC |
| 2009-10 | 20100324 | U K | 73049000 | SECONDARY SECOND CHOICE CARBON STEEL SEAMLESS / WELDED PIPES | 80.00 | 16,345 | 13,07,637 | PUC |
| 2009-10 | 20100308 | CHINA P RP | 73049000 | PRIME CARBON STEEL SEAMLESS PIPES TO ASTM A106 GRADE B | 80.00 | 29,325 | 23,46,020 | PUC |
| 2009-10 | 20100304 | CHINA P RP | 73043119 | CDS CARBON STEEL SEAMLESS PIPE GR.ASTM. A/ASME SA106 GR.B/API 5L GR.B/NACE MR 0 | 79.91 | 42,442 | 33,91,491 | PUC |
| 2009-10 | 20100323 | ITALY | 73043911 | COLD DRAWN SEAMLESS STEEL TUBE128.00 X 9.00 X 1.00E355 | 79.13 | 73,294 | 57,99,918 | PUC |
| 2009-10 | 20100309 | U S A | 73049000 | SECONDARY/DEFECTIVE CARBON STEEL SEAMLESS PIPES | 79.00 | 18,257 | 14,42,272 | PUC |
| 2009-10 | 20100326 | CHINA P RP | 73045110 | BEARING QUALITY STEEL TUBE SAE-52100 AND SAE-8620 SIZE:40.9X4.8 MM | 79.00 | 57,655 | 45,54,768 | PUC |
| 2009-10 | 20100309 | CHINA P RP | 73049000 | PIPES (API5L/ASTM A106/A53 GR.B) (73MM,88.9MM,114.3MM X 5.16MM,5.49MM,7.62MM,6. | 79.00 | 32,678 | 25,81,585 | PUC |
| 2009-10 | 20100308 | U ARAB EMTS | 73049000 | CARBON STEEL PIPE SECONDARY/DEFECTIVE | 78.00 | 21,068 | 16,43,271 | PUC |
| 2009-10 | 20100324 | U K | 73049000 | SECONDARY SECOND CHOICE CARBON STEEL SEAMLESS / WELDED PIPES | 78.00 | 16,467 | 12,84,426 | PUC |

**Import Data from DGCIS [All Countries PUC]
Apr 2009 to Jun 2012**

| Year | Date | Country | ITC-HS | Item-Des | Quantity (MT) | Price (Rs./MT) | Value (Rs) | PUC/ NPUC |
|---------|----------|-------------|----------|---|---------------|----------------|------------|--------------|
| 2009-10 | 20100311 | SWEDEN | 73049000 | SECOND/ DEFECTIVE SEAMLESS STEEL TUBES. | 76.00 | 27,327 | 20,76,831 | PUC |
| 2009-10 | 20100305 | GERMANY | 73049000 | SECONDARY DEFECTIVE CARBON STEEL SEAMLESS PIPES | 76.00 | 25,922 | 19,70,048 | PUC |
| 2009-10 | 20100323 | BELGIUM | 73049000 | M.S.SEAMLESS PIPES SECONDARY SECOND CHOICE MIX | 76.00 | 20,776 | 15,78,982 | PUC |
| 2009-10 | 20100329 | CHINA P RP | 73041990 | SEAMLESS PIPE (12 STD) (DTLS.INV.& P/LIST)SEAML.PIPE ACC TO API5L/ASTM A10 | 76.00 | 42,678 | 32,43,498 | PUC |
| 2009-10 | 20100302 | CHINA P RP | 73049000 | CARBON STEEL SEAMLESS PIPES API 5L/ASTM A106/ASTM A53 GR.B | 76.00 | 30,838 | 23,43,659 | PUC |
| 2009-10 | 20100306 | CHINA P RP | 73045110 | SEAMLESS STEEL PIPE ASTM A 106/ GR. B 4.2M LENTH 32MM(O/D) X 18MM (I/D)- 4 | 75.00 | 36,511 | 27,38,304 | PUC |
| 2009-10 | 20100318 | CHINA P RP | 73041910 | CARBON S.S PIPES ASTM API5L/A106/A53 GR.B 5 X SCH 80X5.0-5.8M/141.3X9.53X5000-5 | 74.39 | 38,020 | 28,28,290 | PUC |
| 2009-10 | 20100309 | CHINA P RP | 73043911 | SEAMLESS CARBON STEEL PIPES API 5L/ASTM A106/ASTM A53 GR.B 273.1 MM X 9.27 MM | 74.00 | 31,808 | 23,53,792 | PUC |
| 2009-10 | 20100322 | BELGIUM | 73049000 | SECONDARY DEFECTIVE CARBON STEEL SEAMLESS PIPE | 73.00 | 21,021 | 15,34,512 | PUC |
| 2009-10 | 20100329 | CHINA P RP | 73043119 | CARBON STEEL SEAMLESS TUBE SA210 GR A1(31.8 X 3.66 X 11800MM) | 73.00 | 42,835 | 31,26,946 | PUC |
| 2009-10 | 20100309 | U S A | 73049000 | SECONDARY SECOND CHOICE CARBON STEEL SEAMLESS / WELDED PIPES | 68.00 | 16,510 | 11,22,672 | PUC |
| 2009-10 | 20100315 | U S A | 73049000 | SECONDARY SECOND CHOICE CARBON STEEL SEAMLESS / WELDED PIPES | 67.00 | 16,722 | 11,20,383 | PUC |
| 2009-10 | 20100309 | CHINA P RP | 73045110 | COLD DRAWN SEAMLESS CARBON STEEL TUBES ASTM A 519 GRADE SAE1040 (SIZE: 63.50 X | 63.00 | 50,883 | 32,05,605 | PUC |
| 2009-10 | 20100322 | ITALY | 73043911 | COLD DRAWN SEAMLESS STEEL TUBE92.00 X 6.00 X 1.00 ST 523 | 62.77 | 91,960 | 57,72,377 | PUC |
| 2009-10 | 20100312 | JAPAN | 73049000 | SEAMLESS CARBON STEEL PIPES ASTM-A333-GR 6 NPS 14 X SCH 20X 10000-11700 | 59.00 | 86,128 | 50,81,568 | PUC |
| 2009-10 | 20100308 | CHINA P RP | 73049000 | SEAMLESS CARBON STEEL PIPES (API 5L/ASTM A106/A53 GR.B)(114.3MM X 6.02MM) | 58.00 | 33,025 | 19,15,446 | PUC |
| 2009-10 | 20100308 | NORWAY | 73049000 | SECONDARY SURPLUS CARBON STEEL PIPE | 56.00 | 21,548 | 12,06,672 | PUC |
| 2009-10 | 20100324 | SINGAPORE | 73049000 | SECONDARY SECOND CHOICE CARBON STEEL SEAMLESS / WELDED PIPES | 55.00 | 16,352 | 8,99,360 | PUC |
| 2009-10 | 20100304 | CHINA P RP | 73049000 | HOT FINISHED SEAMLESS STEEL TUBE (GRADE 37MN) | 55.00 | 46,435 | 25,53,913 | PUC |
| 2009-10 | 20100324 | U K | 73049000 | SECONDARY SECOND CHOICE CARBON STEEL SEAMLESS / WELDED PIPES | 53.00 | 16,407 | 8,69,579 | PUC |
| 2009-10 | 20100310 | CHINA P RP | 73043939 | CARBON STEEL SEAMLESS TUBES AISI 1035(48.30 OD X 37.30 ID MM)COLD FINISHED | 53.00 | 47,826 | 25,34,785 | PUC |
| 2009-10 | 20100317 | U ARAB EMTS | 73049000 | SECONDARY SECOND CHOICE CARBON STEEL SEAMLESS PIPES STOCK MIX LOT | 52.00 | 24,415 | 12,69,602 | PUC |
| 2009-10 | 20100318 | U ARAB EMTS | 73049000 | SECONDARY SECOND CHOICE CARBON STEEL SEAMLESS PIPES & PIPESFITTINGS FLANGE STOC | 51.00 | 24,177 | 12,33,032 | PUC |
| 2009-10 | 20100319 | U ARAB EMTS | 73049000 | SECONDARY SECOND CHOICE CARBON STEEL SEAMLESS PIPES STOCK MIX LOT | 51.00 | 24,154 | 12,31,829 | PUC |
| 2009-10 | 20100324 | CHINA P RP | 73043919 | SEAMLESS CARBON STEEL PIPE(OD127.0+/-0.33MM * WT8.50+/-10%MM) | 51.00 | 45,017 | 22,95,879 | PUC |
| 2009-10 | 20100330 | CHINA P RP | 73042990 | SEAMLESS STEEL PIPE API 5L GRADE `B` 168.3MMX10.97MM | 51.00 | 39,750 | 20,27,234 | PUC |
| 2009-10 | 20100309 | KUWAIT | 73049000 | SECONDARY CARBON STEEL PIPE SEAMLESS | 50.00 | 19,778 | 9,88,911 | PUC |
| 2009-10 | 20100324 | U K | 73049000 | SECONDARY SECOND CHOICE CARBON STEEL SEAMLESS / WELDED PIPES | 50.00 | 16,444 | 8,22,177 | PUC |
| 2009-10 | 20100320 | KOREA RP | 73049000 | BEN 12 X 2.0 X 6M HYDRAULIC TUBE(37.4) LLOYDS | 50.00 | 11,051 | 5,52,533 | PUC |
| 2009-10 | 20100305 | CHINA P RP | 73043919 | SEAMLESS CARBAN STEEL PIPES API5L/ASTMA106/A53GR.B SIZE:219.1MM X 8.18MM | 50.00 | 31,725 | 15,86,249 | PUC |
| 2009-10 | 20100315 | GERMANY | 73043119 | SEAMLESS TUBE HOLLOWS GRADE ST 30 AL SIZE(30,000 X 4,000 MM (RL-10000.00 -120 | 49.48 | 43,151 | 21,34,951 | PUC |
| 2009-10 | 20100304 | U ARAB EMTS | 73049000 | CARBON STEEL SEAMLESS PIPES STOCK LOT | 49.00 | 18,966 | 9,29,344 | PUC |
| 2009-10 | 20100330 | CHINA P RP | 73043919 | CARBON STEEL SEAMLESS HOT FINISHED PIPES (MOTHER HOLLOW) GRADE DIN 17175 SIZE O | 49.00 | 40,765 | 19,97,506 | PUC |
| 2009-10 | 20100308 | CHINA P RP | 73049000 | SEAMLESS CARBON STEEL PIPES (API 5L/ASTM A106 GR.B) (168.3MM X 4.78MM) | 49.00 | 38,378 | 18,80,545 | PUC |
| 2009-10 | 20100317 | U ARAB EMTS | 73049000 | SECONDARY SECOND CHOICE CARBON STEEL SEAMLESS PIPES STOCK MIX LOT | 48.00 | 24,325 | 11,67,591 | PUC |
| 2009-10 | 20100322 | CHINA P RP | 73041990 | SEAMLESS CARBON STEEL PIPE 244.50MM OD X 7.92MM LONG X5-7 R/L (BS 3602/I/1991:H | 48.00 | 55,794 | 26,78,135 | PUC |
| 2009-10 | 20100306 | CHINA P RP | 73049000 | CARBON STEEL SEAMLESS PIPES API 5L/ASTM A106/A53 GR.B | 48.00 | 31,052 | 14,90,496 | PUC |
| 2009-10 | 20100305 | KUWAIT | 73049000 | SECONDARY CARBON STEEL PIPES SEAMLESS | 47.00 | 19,227 | 9,03,681 | PUC |
| 2009-10 | 20100329 | GERMANY | 73045910 | SEAMLESS C-MO ALLOY STEEL BOILER AND SUPERHEATER TUBES 101.600 X 8.800 MM | 46.00 | 10,437 | 4,80,090 | PUC |
| 2009-10 | 20100309 | CHINA P RP | 73049000 | SEAMLESS CARBON STEEL PIPE API 5L/ ASTM A106/A53 GR B. 114.3MM X 6.02MM | 46.00 | 34,173 | 15,71,974 | PUC |
| 2009-10 | 20100325 | CANADA | 73049000 | SECONDARY/DEFECTIVE CARBON STEEL SEAMLESS PIPE | 45.00 | 22,880 | 10,29,590 | PUC |

**Import Data from DGCIS [All Countries PUC]
Apr 2009 to Jun 2012**

| Year | Date | Country | ITC-HS | Item-Des | Quantity (MT) | Price (Rs./MT) | Value (Rs) | PUC/ NPUC |
|---------|----------|-------------|----------|---|---------------|----------------|------------|--------------|
| 2009-10 | 20100310 | CHINA P RP | 73041910 | SEAMLESS PRECISION STEEL TUBE - 50 X 6 X L (=940MM X 2/3/4/5/6) | 45.00 | 44,964 | 20,23,360 | PUC |
| 2009-10 | 20100324 | U S A | 73049000 | SECONDARY SECOND CHOICE CARBON STEEL SEAMLESS / WELDED PIPES | 44.00 | 16,345 | 7,19,200 | PUC |
| 2009-10 | 20100304 | CHINA P RP | 73049000 | HOT FINISHED SEAMLESS STEEL TUBE (GRADE 34CRM04) | 44.00 | 51,496 | 22,65,809 | PUC |
| 2009-10 | 20100305 | CHINA P RP | 73041910 | SEAMLESS CARBON STEEL PIPES AS PER ASTM A106 GRB 3/4 INCH SCH 80*5800MM | 44.00 | 30,225 | 13,29,884 | PUC |
| 2009-10 | 20100327 | CHINA P RP | 73049000 | PRIME CARBON STEEL SEAMLESS PIPES TO ASTM A 106 GRADE B | 42.00 | 29,291 | 12,30,240 | PUC |
| 2009-10 | 20100318 | U S A | 73069090 | 1-12 SCH 80 SEAMLESS PIPE, SB167 N06600 I/CODE-BP1961001S80 | 41.17 | 1,19,020 | 48,99,509 | PUC |
| 2009-10 | 20100331 | CHINA P RP | 73043919 | SEAMLESS CARBON STEEL PIPE(OD127.0+/-0.33MM * WT8.50 +/-10%MM) | 40.25 | 45,017 | 18,12,125 | PUC |
| 2009-10 | 20100323 | ITALY | 73043911 | COLD DRAWN SEAMLESS STEEL TUBE128.00X9.00X1.00E355 | 40.11 | 72,963 | 29,26,400 | PUC |
| 2009-10 | 20100305 | CHINA P RP | 73045110 | BEARING QUALITY STEEL TUBE SAE-52100, SAE-8620 & SUJ-3 TMB6304OR 52.6 X 5.55MM | 40.00 | 59,004 | 23,60,159 | PUC |
| 2009-10 | 20100303 | CHINA P RP | 73041110 | SEAMLESS STEEL PIPE,ASTM A106GR B (76 MM X11.5MM X 11.5MTS) | 39.00 | 40,663 | 15,85,857 | PUC |
| 2009-10 | 20100322 | CHINA P RP | 73043919 | SEAMLESS CARBON STEEL PIPES 168.3 MM X 7.11 MM | 38.00 | 32,845 | 12,48,109 | PUC |
| 2009-10 | 20100305 | CHINA P RP | 73043119 | SEAMLESS CARBON STEEL PIPES AS PER ASTM A106 GRB SIZE 82*15*5800MM | 38.00 | 31,682 | 12,03,912 | PUC |
| 2009-10 | 20100322 | ROMANIA | 98010013 | PIPES TO SPEC SA 106 (CARBON STEEL) S37/8/2010/GR 6 CIF RS.5796040 | 37.00 | 1,56,650 | 57,96,040 | PUC |
| 2009-10 | 20100329 | U S A | 73049000 | SECONDARY DEFECTIVE CARBON STEEL PIPES | 37.00 | 24,021 | 8,88,774 | PUC |
| 2009-10 | 20100329 | GERMANY | 73049000 | CARBON STEEL SEAMLESS SECONDARY PIPES ASTM A 179 | 37.00 | 23,412 | 8,66,261 | PUC |
| 2009-10 | 20100323 | JAPAN | 73049000 | PIPE ASTM A 106 GR B SMLS (NACE) 8 XS BE | 36.00 | 1,34,119 | 48,28,300 | PUC |
| 2009-10 | 20100304 | CHINA P RP | 73042390 | EXTERNAL UPSETED DRILL PIPE CONFIRMING API 5D SPEC 7, GRADE E-75, 2 7/8 OD, 9. | 36.00 | 1,12,310 | 40,43,156 | PUC |
| 2009-10 | 20100322 | CHINA P RP | 73049000 | CARBON STEEL SEAMLESS HOT FINISHED (MOTHER HOLLOW) A333 GR.6 SIZE OD 114.3MM , | 36.00 | 39,875 | 14,35,499 | PUC |
| 2009-10 | 20100301 | CHINA P RP | 73043911 | SEAMLESS STEEL GAS | 35.12 | 45,017 | 15,80,825 | PUC |
| 2009-10 | 20100304 | JAPAN | 73049000 | SEAMLESS CARBON STEEL PIPES | 35.00 | 81,371 | 28,48,000 | PUC |
| 2009-10 | 20100319 | U S A | 73042390 | TUBING 4 X4 X 4FT | 35.00 | 73,028 | 25,55,975 | PUC |
| 2009-10 | 20100305 | GERMANY | 73045110 | ALLOY STEEL TUBES IN SPEC HFS SA209 T1A209 T1 SIZE RANGE 57MMM OD TO 102MM OD T | 33.38 | 67,065 | 22,38,548 | PUC |
| 2009-10 | 20100305 | GERMANY | 73045110 | ALLOY STEEL TUBES IN SPEC HFS SA209 T1A209 T1 SIZE RANGE 57MMM OD TO 102MM OD T | 33.38 | 16,205 | 5,40,920 | PUC |
| 2009-10 | 20100305 | KOREA RP | 73043119 | STEEL TUBE ZN COATED (TH= 0.5 MM, DIA= 4.76MM) [250000 METERS] | 32.95 | 65,811 | 21,68,487 | PUC |
| 2009-10 | 20100326 | CHINA P RP | 73045110 | STEEL TUBE DIA 4.76X0.55 MM WITH ZINC COATED (FOR CAPTIVECONSUMPTION) | 31.42 | 64,924 | 20,39,771 | PUC |
| 2009-10 | 20100305 | JAPAN | 73045930 | HOT FINISHED SEAMLESS CARBON AND ALLOY STEEL PIPES 273.1 X 30 X 5500 | 30.00 | 73,687 | 22,10,620 | PUC |
| 2009-10 | 20100310 | CONGO P REP | 73041990 | SECONDAERY CARBON M.S. SEAMLESS PIPES | 30.00 | 23,009 | 6,90,257 | PUC |
| 2009-10 | 20100322 | CHINA P RP | 73049000 | HOT FINISHED SEAMLESS STEEL TUBE GRADE 34 CRM04 | 29.96 | 50,848 | 15,23,420 | PUC |
| 2009-10 | 20100302 | CHINA P RP | 73043139 | COLD DRAWN SEAMLESS STEEL TUBES (OD 232 X ID 202.7 X 2000 MM) | 28.17 | 79,045 | 22,26,684 | PUC |
| 2009-10 | 20100308 | U K | 73049000 | SECONDARY SURPLUS CARBON STEEL PIPES | 26.00 | 21,536 | 5,59,935 | PUC |
| 2009-10 | 20100323 | U K | 73049000 | SECONDARY CARBON STEEL PIPES SEAMLESS | 26.00 | 19,869 | 5,16,595 | PUC |
| 2009-10 | 20100315 | U ARAB EMTS | 73049000 | SECONDARY SECOND CHOICE CARBON STEEL SEAMLESS/WELDED PIPES | 26.00 | 19,233 | 5,00,053 | PUC |
| 2009-10 | 20100315 | U ARAB EMTS | 73049000 | SECONDARY SECOND CHOICE CARBON STEEL SEAMLESS / WELDED PIPES | 26.00 | 16,772 | 4,36,060 | PUC |
| 2009-10 | 20100310 | CHINA P RP | 73045930 | SEAMLESS STEEL GAS CYLINDER TUBE 232MM X 5.4MM | 26.00 | 47,079 | 12,24,061 | PUC |
| 2009-10 | 20100318 | CHINA P RP | 73049000 | SEAMLESS CARBON STEEL PIPES API 5L/ASTM A106 A53 GR B 114.3MMX13.49MM | 26.00 | 33,851 | 8,80,134 | PUC |
| 2009-10 | 20100318 | CHINA P RP | 73041910 | SEAMLESS CARBON STEEL PIPES API 5L/ASTM A106/A53 GR.B 88.9MMX5.49MM AND 114.3MM | 26.00 | 32,001 | 8,32,021 | PUC |
| 2009-10 | 20100301 | CHINA P RP | 73045110 | CR PIPE | 25.60 | 41,244 | 10,55,798 | PUC |
| 2009-10 | 20100311 | MOROCCO | 73045110 | CARBON STEEL SEAMLESS PIPES SIZE(MM)60.3X2.85 LENGTH 10.40 | 25.00 | 38,659 | 9,66,474 | PUC |
| 2009-10 | 20100322 | JAPAN | 73049000 | SECONDARY SEAMLESS CARBON STEEL PIPES | 25.00 | 37,967 | 9,49,174 | PUC |
| 2009-10 | 20100311 | SWEDEN | 73045110 | SECONDARY AND DEFECTIVE SEAMLESS STEEL TUBES, GRADE: 100CR6 THICK XLENGTH : 40. | 25.00 | 27,405 | 6,85,129 | PUC |
| 2009-10 | 20100309 | CHINA P RP | 73045110 | COLD DRAWN SEAMLESS CARBON STEEL TUBES ASTM A 519 GRADE SAE 4130 (SIZE: 69.90 X | 25.00 | 57,951 | 14,48,777 | PUC |

**Import Data from DGCIS [All Countries PUC]
Apr 2009 to Jun 2012**

| Year | Date | Country | ITC-HS | Item-Des | Quantity (MT) | Price (Rs./MT) | Value (Rs) | PUC/ NPUC |
|---------|----------|-------------|----------|---|---------------|----------------|------------|--------------|
| 2009-10 | 20100305 | CHINA P RP | 73041910 | CARBON STEEL SEAMLESS MOTHER PIPES 48.3 X 3.68 X 8100-8400 | 25.00 | 34,178 | 8,54,460 | PUC |
| 2009-10 | 20100225 | CHINA P RP | 73043919 | SEAMLESS STEEL PIPES TO ASTM A 106GR B (SIZE OD 133.00 MM XWT 4 MM X L9000 -960 | 24.93 | 35,416 | 8,82,921 | PUC |
| 2009-10 | 20100310 | ITALY | 73043911 | COLD DRAWN SEAMLESS STEEL TUBES 158.00X9.00X5250.00E355 | 24.61 | 59,449 | 14,63,229 | PUC |
| 2009-10 | 20100309 | U ARAB EMTS | 73049000 | CARBON STEEL SEAMLESS PIPES STOCK LOT | 24.00 | 19,585 | 4,70,050 | PUC |
| 2009-10 | 20100322 | KOREA RP | 73049000 | SECONDARY CARBON STEEL SEAMLESS PIPES | 24.00 | 18,932 | 4,54,371 | PUC |
| 2009-10 | 20100308 | U K | 73049000 | SECONDARY SECOND CHOICE CARBON STEEL SEAMLESS / WELDED PIPES | 24.00 | 16,618 | 3,98,829 | PUC |
| 2009-10 | 20100316 | CHINA P RP | 73043119 | SEAMLESS PIPE ACC TO API 5CT K55 SIZE : OD 365 MM X WALL 22 MM | 24.00 | 51,120 | 12,26,874 | PUC |
| 2009-10 | 20100313 | CHINA P RP | 73045110 | COLD DRAWN CARBON STEEL SEAMLESS TUBES27X3X10000-11800 | 24.00 | 39,561 | 9,49,458 | PUC |
| 2009-10 | 20100313 | CHINA P RP | 73045110 | COLD DRAWN CARBON STEEL SEAMLESS TUBES 27X3X10000-11800 | 24.00 | 39,064 | 9,37,531 | PUC |
| 2009-10 | 20100318 | CHINA P RP | 73049000 | SEAMLESS CARBON STEEL PIPES API 5L/ASTM A106/A53 GR.B 60.3MM X 5.54MM | 24.00 | 36,016 | 8,64,379 | PUC |
| 2009-10 | 20100326 | KUWAIT | 73049000 | SECONDARY CARBON STEEL PIPES SEAMLESS | 23.00 | 19,534 | 4,49,293 | PUC |
| 2009-10 | 20100309 | U ARAB EMTS | 73049000 | SECONDARY SECOND CHOICE CARBON STEEL SEAMLESS / WELDED PIPES | 23.00 | 16,511 | 3,79,757 | PUC |
| 2009-10 | 20100316 | CHINA P RP | 73043139 | COLD DRAWN SEAMLESS TUBE (OD 267 X ID 224.5 MM) | 22.29 | 80,478 | 17,94,087 | PUC |
| 2009-10 | 20100310 | CHINA P RP | 73045120 | SURPLUS ALLOY STEEL SEAMLESS PIPES GRADE P22 | 22.00 | 53,181 | 11,69,982 | PUC |
| 2009-10 | 20100309 | CHINA P RP | 73049000 | SEMLESS CARBON STEEL PIPE API 5L/ASTM A 106/ASTM A53 GRADE-B SCH40 (88.9MM X | 22.00 | 35,279 | 7,76,140 | PUC |
| 2009-10 | 20100315 | CHINA P RP | 73049000 | CARBON STEEL SEAMLESS PIPE ASTM A106/A53/API5L GR.B | 22.00 | 29,258 | 6,43,681 | PUC |
| 2009-10 | 20100325 | FRANCE | 73049000 | SECONDARY ALLOY STEEL SEAMLESS PIPES IN MIXED SIZES/MIXED THICKNESS & MIXED LEN | 21.00 | 74,581 | 15,66,201 | PUC |
| 2009-10 | 20100303 | NETHERLAND | 73049000 | COLD DRAWN MS RECTANGULAR TUBE AS PER EN 10219, S355 JO/S355 J2H 150X100X10MM (| 21.00 | 61,549 | 12,92,528 | PUC |
| 2009-10 | 20100315 | U ARAB EMTS | 73049000 | SECONDARY CARBON STEEL SEAMLESS / WELDED PIPES MIX LOT | 21.00 | 19,238 | 4,03,989 | PUC |
| 2009-10 | 20100329 | U ARAB EMTS | 73049000 | SECONDARY CARBON STEEL PIPES | 21.00 | 18,309 | 3,84,485 | PUC |
| 2009-10 | 20100315 | U S A | 73049000 | SECONDARY SECOND CHOICE CARBON STEEL SEAMLESS / WELDED PIPES | 21.00 | 16,423 | 3,44,889 | PUC |
| 2009-10 | 20100319 | ITALY | 73041190 | SEAMLESS COLD DRAWN TUBES FOR HYDRAULIC CYLINDER ACCORDING 140.00X****X12.50MM. | 20.22 | 1,07,883 | 21,80,960 | PUC |
| 2009-10 | 20100324 | ROMANIA | 98010013 | PIPES (TO SPEC SA 106 CARBON STEEL)S37/33/2009/GR6 (CIF RS.3500550) | 20.00 | 1,75,027 | 35,00,549 | PUC |
| 2009-10 | 20100303 | GERMANY | 73049000 | HOLLOW SECTIONS 120X80X 12.5MM | 20.00 | 81,449 | 16,28,977 | PUC |
| 2009-10 | 20100310 | JAPAN | 73045110 | HOT FINISHED SEAMLESS CARBON STEEL PIPES - GRADE:ASME SA106B BEVEL ENDS, SIZE: | 20.00 | 67,487 | 13,49,734 | PUC |
| 2009-10 | 20100309 | U S A | 73049000 | SECONDARY SECOND CHOICE CARBON STEEL SEAMLESS / WELDED PIPES | 20.00 | 16,345 | 3,26,909 | PUC |
| 2009-10 | 20100324 | CHINA P RP | 73049000 | CARBON STEEL SEAMLESS PIPES API 5L/ASTM A106 GRADE B | 20.00 | 30,022 | 6,00,442 | PUC |
| 2009-10 | 20100302 | CHINA P RP | 73043129 | COLD DRAWN SEAMLESS STEEL TUBES (OD 180 X ID 159 XL) | 19.03 | 79,091 | 15,04,866 | PUC |
| 2009-10 | 20100303 | U S A | 73049000 | DEFECTIVE /SECONDARY NON ALLOY ROUND BARS | 19.00 | 26,016 | 4,94,295 | PUC |
| 2009-10 | 20100327 | U S A | 73043139 | COLD DRAWN SEAMLESS STEEL TUBES (OD 244.50 X ID 188.50 MM) | 18.79 | 1,47,052 | 27,63,395 | PUC |
| 2009-10 | 20100322 | U S A | 73069090 | COLD DRAWN SEAMLESS TUBING (SIZE: 5.210/5.264OD X 3.736/3.750ID) | 18.74 | 1,09,510 | 20,51,900 | PUC |
| 2009-10 | 20100312 | CHINA P RP | 73041990 | BEARING QUALITY STEEL TUBE 27.6*4.7GCR15 | 18.30 | 51,267 | 9,38,237 | PUC |
| 2009-10 | 20100324 | U ARAB EMTS | 73049000 | SECONDARY MILD STEEL SEAMLESS PIPE | 18.00 | 23,840 | 4,29,114 | PUC |
| 2009-10 | 20100309 | CHINA P RP | 73049000 | COLD DRAWN SEAMLESS HONED STEEL TUBES OF SIZE : 250MM (0-0.072MM) ID X 300MM (+ | 18.00 | 72,111 | 12,97,990 | PUC |
| 2009-10 | 20100323 | CHINA P RP | 73049000 | ALLOY STEEL SEAMLESS TUBE GRAE 20CR 15.3 X 10 | 18.00 | 64,172 | 11,55,094 | PUC |
| 2009-10 | 20100324 | CHINA P RP | 73049000 | CARBON STEEL SEAMLESS PIPES CONFIRMING TO ASTM / ASME A 179IN FIXED LENGTH OF 5 | 18.00 | 30,208 | 5,43,752 | PUC |
| 2009-10 | 20100309 | CHINA P RP | 73042990 | CASING PIPE 5 1/2 OD, J-55, 17PPF, BTC (56 PCS), EC NO.: ECIN201001110003 DT: | 17.85 | 29,399 | 5,24,668 | PUC |
| 2009-10 | 20100324 | ROMANIA | 98010013 | PIPES (TO SPEC AS 106 CARBON STEEL)S37/08/2010/GR6 (CIF RS.2470168) | 17.00 | 1,45,304 | 24,70,168 | PUC |
| 2009-10 | 20100324 | CHINA P RP | 73049000 | SEAMLESS STEEL TUBE | 17.00 | 31,145 | 5,29,462 | PUC |
| 2009-10 | 20100330 | CANADA | 73044900 | MS PIPE FOR PACKING OF FINISHED PRODUCT (295 PCS) | 16.79 | 26,960 | 4,52,638 | PUC |
| 2009-10 | 20100305 | KOREA RP | 73043119 | STEEL TUBE ZN COATED (TH=0.7 MM DIA=4.76 MM) [250000 METERS] | 16.45 | 59,638 | 9,81,049 | PUC |

**Import Data from DGCIS [All Countries PUC]
Apr 2009 to Jun 2012**

| Year | Date | Country | ITC-HS | Item-Des | Quantity (MT) | Price (Rs./MT) | Value (Rs) | PUC/ NPUC |
|---------|----------|-------------|----------|---|---------------|----------------|------------|--------------|
| 2009-10 | 20100324 | CHINA P RP | 73049000 | SEAMLESS STEEL TUBES AS PER P.O.MY01/YMI/4570002922DT4.12.09(SIZE 1IN MMX266.7 | 16.02 | 55,261 | 8,85,332 | PUC |
| 2009-10 | 20100326 | TAIWAN | 73042990 | HONED TUBE ST52.3 75MM X90MM X840MM | 16.00 | 61,075 | 9,77,194 | PUC |
| 2009-10 | 20100306 | CHINA P RP | 73041190 | SEAMLESS STEEL TUBE OD 42MM X WT 9.0MM | 16.00 | 48,134 | 7,70,146 | PUC |
| 2009-10 | 20100308 | CHINA P RP | 73045120 | SEAMLESS STEEL PIPE API 5L ASTM A 106/A53 GR. B LENTH 168.3MMX7.11MM- 100 | 16.00 | 32,142 | 5,14,278 | PUC |
| 2009-10 | 20100324 | JAPAN | 73041110 | C.R.ALLOY STEEL TUBE SIZE:OD 64. 70MMXWT 8.50MM | 15.00 | 99,854 | 14,97,809 | PUC |
| 2009-10 | 20100325 | U S A | 73049000 | SECONDARY DEFECTIVE CARBON STEEL SEAMLESS AND WELDED PIPE | 15.00 | 16,039 | 2,40,582 | PUC |
| 2009-10 | 20100317 | U K | 73044900 | M.S.RECTANGULAR HOLLOW SECTIONS GR.S235JRH 160 X 80 X 6MM X 6000 MM LONG (1220 | 14.90 | 59,630 | 8,88,484 | PUC |
| 2009-10 | 20100315 | CHINA P RP | 73042990 | CASING PIPE 5-1/2 L-80, 17 PPF BTC (INV. NO-MUL/ONGC/5359-IN-BS-GJ4B484-02) (E | 13.20 | 35,044 | 4,62,451 | PUC |
| 2009-10 | 20100315 | JAPAN | 73049000 | SEAMLESS ALLOY STEEL TUBES JIS G3441 SCM415TK 30.70MM OD X24.90MM ID X 5M | 13.09 | 1,19,607 | 15,66,011 | PUC |
| 2009-10 | 20100309 | U ARAB EMTS | 73049000 | SECONDARY CARBON STEEL SEAMLESS / WELDED PIPES MIX LOT | 13.00 | 20,024 | 2,60,307 | PUC |
| 2009-10 | 20100302 | CHINA P RP | 73043129 | STEEL HONED TUBES (OD 142 MM X ID 124 MM X 1490 MM) | 13.00 | 96,330 | 12,52,291 | PUC |
| 2009-10 | 20100322 | CHINA P RP | 73049000 | TPCO SEAMLESS STEEL PIPES; MATERIAL: Q345B; SIZE325*30; STANDARD: GB/T8182-2008 | 13.00 | 46,992 | 6,10,890 | PUC |
| 2009-10 | 20100304 | CHINA P RP | 73043139 | READY TO HONE STEEL TUBES (OD 244.50 & ID 190 MM) | 12.75 | 83,270 | 10,61,696 | PUC |
| 2009-10 | 20100308 | U S A | 73043139 | SEAMLESS STEEL TUBE (OD 244.5 X ID 186.99 MM) (NET WT 12483.072 KGS) | 12.40 | 1,51,230 | 18,74,624 | PUC |
| 2009-10 | 20100305 | CHINA P RP | 73049000 | SEAMLESS PIPES (300NB SCH80) | 12.00 | 49,519 | 5,94,232 | PUC |
| 2009-10 | 20100322 | CHINA P RP | 73043919 | SEAMLESS CARBON STEEL PIPES 168.3 MM X 7.11 MM | 11.00 | 33,892 | 3,72,807 | PUC |
| 2009-10 | 20100315 | SWEDEN | 73044100 | COLD DRAWN SEAMLESS STEEL PIPES - 190 X 160 X 3110 L (P.O. # BEPO/NM1/42000499 | 10.00 | 50,950 | 5,09,497 | PUC |
| 2009-10 | 20100317 | CHINA P RP | 73041190 | SEAMLESS STEEL TUBE SAE 1020 SIZE 180*150 (USE FOR HYDROLIC CYLINDER) | 9.77 | 27,316 | 2,66,861 | PUC |
| 2009-10 | 20100308 | CHINA P RP | 73049000 | CARBON STEEL SEAMLESS PIPE ASTM A 106 GR B / A 53 GR B / API 5L GR B / NACE MR | 9.00 | 34,162 | 3,07,454 | PUC |
| 2009-10 | 20100323 | CHINA P RP | 73049000 | CARBON STEEL SEAMLESS PIPES API 5L / ASTM A 106 GRADE B | 9.00 | 30,061 | 2,70,546 | PUC |
| 2009-10 | 20100330 | JAPAN | 73049000 | COLD DRAWN SEAMLESS PIN STEEL TUBE SCM415H 22.35 X 12MM | 8.87 | 2,42,399 | 21,50,568 | PUC |
| 2009-10 | 20100305 | JAPAN | 73045920 | HOT FINISHED SEAMLESS CARBON AND ALLOY STEEL PIPES 219.1 X 37 X 5500 | 8.00 | 73,314 | 5,86,510 | PUC |
| 2009-10 | 20100303 | GERMANY | 73041910 | SEAMLESS STEEL PIPE RON 48,3X6,3 ST35. 8I (QTY: 5.950 MTR) | 7.90 | 99,286 | 7,84,064 | PUC |
| 2009-10 | 20100308 | ITALY | 73043939 | HOT FINISHED SEAMLESS STEEL TUBE EN 10297-1E355 (229X36MM) (NET.WT-6980 KGS) | 7.03 | 1,29,657 | 9,11,188 | PUC |
| 2009-10 | 20100317 | JAPAN | 73049000 | SHIPMENT OF CDS TUBES-CONTENTS:LW5196 260.35X209X6536MMPART NO:1PT260290338(CAS | 7.00 | 1,93,123 | 13,51,862 | PUC |
| 2009-10 | 20100325 | U S A | 73049000 | SECONDARY DEFECTIVE CARBON STEEL SEAMLESS AND WELDED PIPES | 7.00 | 17,223 | 1,20,564 | PUC |
| 2009-10 | 20100305 | CHINA P RP | 73041910 | CS SEAMLESS TUBES 38.1MM OD X 2.76MM THK (MIN) ASTM SA 192 7135MM LONG (2500 MT | 6.16 | 48,314 | 2,97,468 | PUC |
| 2009-10 | 20100312 | CHINA P RP | 73045920 | CARBON AND ALLOY STEEL PIPES SA106C 219.10MM X 48 MM | 6.08 | 67,618 | 4,11,005 | PUC |
| 2009-10 | 20100313 | JAPAN | 73049000 | COLD DRAWN SEAMLESS STEEL TUBE (FOR PISTON PIN) GRADE SCM-415H (JIS) (O.D. 13. | 6.00 | 2,58,794 | 15,52,761 | PUC |
| 2009-10 | 20100312 | CHINA P RP | 73045920 | CARBON AND ALLOY STEEL PIPES SA106C 219.10MM X 48 MM | 5.67 | 67,619 | 3,83,605 | PUC |
| 2009-10 | 20100315 | JAPAN | 73041910 | CARBON STEEL PLATE API 2H 50Z 30X1215X9140 | 5.00 | 99,887 | 4,99,437 | PUC |
| 2009-10 | 20100325 | U S A | 73049000 | SECONDARY DEFECTIVE CARBON STEEL SEAMLESS AND WELDED PIPES | 5.00 | 17,554 | 87,772 | PUC |
| 2009-10 | 20100302 | CHINA P RP | 73043119 | STEEL HONED TUBES (OD 120 MM X ID 103 MM X 1490 MM) | 5.00 | 90,576 | 4,52,881 | PUC |
| 2009-10 | 20100309 | NETHERLAND | 73043919 | SEAMLESS PRECISION STEEL PIPES ST 35 NBK DIN 2391 SIZE OD 50MM X 10 MM WT X5.8 | 4.69 | 2,44,335 | 11,45,685 | PUC |
| 2009-10 | 20100312 | CHINA P RP | 73041990 | BEARING QUALITY STEEL TUBE 27.6*4.7GCR15 | 4.28 | 54,114 | 2,31,446 | PUC |
| 2009-10 | 20100331 | CHINA P RP | 73045110 | BEARING QUALITY STEEL TUBE SAE52100 (SIZE 55.6*7.1 MM) | 4.19 | 51,782 | 2,17,172 | PUC |
| 2009-10 | 20100308 | U S A | 73049000 | CARBON STEEL SEAMLESS/WELDED PIPE SECONDARY DEFECTIVE | 4.00 | 15,171 | 60,682 | PUC |
| 2009-10 | 20100319 | JAPAN | 73049000 | COLD DRAWN SEAMLESS STEEL TUBE ITEM NO. FRPP925 O.D. 13.40MMX I.D. 9.00MM | 3.95 | 1,93,618 | 7,65,373 | PUC |
| 2009-10 | 20100319 | JAPAN | 73049000 | COLD DRAWN SEAMLESS STEEL TUBE ITEM NO. FRPP925 O.D. 13.40MMX I.D. 9.00MM | 3.95 | 97,284 | 3,84,563 | PUC |
| 2009-10 | 20100305 | CHINA P RP | 73042910 | PLAIN END SEAMLESS COUPLING STOCK SIZE: 5.563 ODX4.432 ID(16.182 MTS=368.44 M | 3.28 | 37,316 | 1,22,530 | PUC |
| 2009-10 | 20100319 | GERMANY | 73049000 | BEN 12 X 2.0 X 6M HYDRAULIC TUBE (37.4) LLOYDS | 3.00 | 1,10,336 | 3,31,009 | PUC |

**Import Data from DGCIS [All Countries PUC]
Apr 2009 to Jun 2012**

| Year | Date | Country | ITC-HS | Item-Des | Quantity (MT) | Price (Rs./MT) | Value (Rs) | PUC/ NPUC |
|---------|----------|-------------|----------|---|---------------|----------------|------------|--------------|
| 2009-10 | 20100303 | NETHERLAND | 73049000 | COLD DRAWN MS RECTANGULAR TUBE AS PER EN 10219, S355 JO/ S355 J2H 140X80X10MM (| 3.00 | 61,307 | 1,83,922 | PUC |
| 2009-10 | 20100312 | U K | 73041910 | MILD STEEL TUBES | 3.00 | 18,660 | 55,980 | PUC |
| 2009-10 | 20100310 | CHINA P RP | 73045120 | SURPLUS ALLOY STEEL SEAMLESS PIPES GRADE P22 | 3.00 | 66,709 | 2,00,128 | PUC |
| 2009-10 | 20100303 | CHINA P RP | 73041190 | COLD DRAW SEAMLESS STEEL TUBE DIN-2391 ST35(10X1.5X4000-5000MM) | 2.67 | 1,74,176 | 4,65,680 | PUC |
| 2009-10 | 20100304 | CHINA P RP | 73049000 | CARBON STEEL SEAMLESS MOTHER PIPES (HOT FINISHED) [140MM X 19.05MM X 9970MM | 2.27 | 53,666 | 1,21,608 | PUC |
| 2009-10 | 20100315 | CHINA P RP | 73049000 | STEEL TUBES19.7MMX14.5MM-2.60MM | 2.00 | 1,16,811 | 2,33,621 | PUC |
| 2009-10 | 20100310 | CHINA P RP | 73043939 | CARBON STEEL SEAMLESS TUBES AISI 1035(38.70 OD X 29.60 ID MM)COLD FINISHED | 2.00 | 55,501 | 1,11,002 | PUC |
| 2009-10 | 20100329 | JAPAN | 73049000 | CARBON STEEL SEAMLESS PIPE SIZE : 22MM OD X 18MM ID X 6M | 1.80 | 1,17,003 | 2,10,606 | PUC |
| 2009-10 | 20100311 | CHINA P RP | 73042990 | 3 3/8 ROUND KELLY 18 FT LONG (4 PCS), SINGLE PIECE 3 FLUTED ALLOY STEEL KELLY | 1.48 | 2,92,930 | 4,32,072 | PUC |
| 2009-10 | 20100316 | CHINA P RP | 73043129 | COLD DRAWN SEAMLESS TUBE (OD 170 X ID 130 MM) | 1.27 | 78,845 | 99,896 | PUC |
| 2009-10 | 20100318 | GERMANY | 73045910 | ALLOY STEEL PIPES SA-209M 57.150 X 4.800 MM | 1.00 | 1,15,188 | 1,15,188 | PUC |
| 2009-10 | 20100329 | U S A | 73049000 | SECONDARY DEFECTIVE CARBON STEEL PIPES | 1.00 | 44,580 | 44,580 | PUC |
| 2009-10 | 20100325 | U S A | 73049000 | SECONDARY DEFECTIVE CARBON STEEL SEAMLESS AND WELDED PIPE | 1.00 | 24,632 | 24,632 | PUC |
| 2009-10 | 20100325 | CANADA | 73049000 | SECONDARY/DEFECTIVE CARBON STEEL SEAMLESS PIPE | 1.00 | 22,880 | 22,880 | PUC |
| 2009-10 | 20100322 | BELGIUM | 73049000 | SECONDARY DEFECTIVE CARBON STEEL SEAMLESS PIPE | 1.00 | 20,952 | 20,952 | PUC |
| 2009-10 | 20100305 | SAUDI ARAB | 73049000 | SECONDARY SECOND CARBON STEEL SEAMLESS/ WELDED PIPES, MIXED THICKNESS MIXED LOT | 1.00 | 16,511 | 16,511 | PUC |
| 2009-10 | 20100305 | SAUDI ARAB | 73049000 | SECONDARY SECOND CARBON STEEL SEAMLESS/ WELDED PIPES, MIXED THICKNESS MIXED LOT | 1.00 | 16,511 | 16,511 | PUC |
| 2009-10 | 20100305 | SAUDI ARAB | 73049000 | SECONDARY SECOND CARBON STEEL SEAMLESS/ WELDED PIPES, MIXED THICKNESS MIXED LOT | 1.00 | 16,511 | 16,511 | PUC |
| 2009-10 | 20100305 | SAUDI ARAB | 73049000 | SECONDARY SECOND CARBON STEEL SEAMLESS/WELDED PIPES MIXED THICKNESS MIXED LOT | 1.00 | 16,511 | 16,511 | PUC |
| 2009-10 | 20100305 | SAUDI ARAB | 73049000 | SECONDARY SECOND CARBON STEEL SEAMLESS/WELDED PIPES MIXED THICKNESS MIXED LOT. | 1.00 | 16,511 | 16,511 | PUC |
| 2009-10 | 20100324 | CHINA P RP | 73049000 | SEAMLESS STEEL TUBE | 1.00 | 30,649 | 30,649 | PUC |
| 2009-10 | 20100318 | CHINA P RP | 73049000 | CARBON SEAMLESS STEEL PIPES | 1.00 | 29,436 | 29,436 | PUC |
| 2009-10 | 20100315 | CHINA P RP | 73049000 | CARBON STEEL SEAMLESS PIPES ASTM A 106 GRADE B / API 5L GRADE B | 1.00 | 28,923 | 28,923 | PUC |
| 2009-10 | 20100323 | SAUDI ARAB | 73049000 | SECONDARY SECOND CARBON STEEL SEAMLESS/WELDED PIPES MIXED THICKNESS MIXED LOT | 0.81 | 20,001 | 16,181 | PUC |
| 2009-10 | 20100323 | SAUDI ARAB | 73049000 | SECONDARY SECOND CARBON STEEL SEAMLESS/WELDED PIPES MIXED THICKNESS MIXED LOT | 0.81 | 20,001 | 16,181 | PUC |
| 2009-10 | 20100319 | JAPAN | 73043939 | ADAPTER, ASTM A182F316 , 1/2 PIPE SW X12MM TUBE SW X S/80, (1/2 X S/80 12MM X 1 | 0.58 | 58,245 | 33,957 | PUC |
| 2009-10 | 20100317 | GERMANY | 73043919 | SEAMLESS PIPES ASTM/ASME A/SA 106 GRADE C 42.2 X 6.35MM X900MM X 5 PCS | 0.50 | 55,340 | 27,670 | PUC |
| 2009-10 | 20100309 | U ARAB EMTS | 73049000 | SECONDARY SECOND CHOICE CARBON STEEL SEAMLESS / WELDED PIPES | 0.50 | 20,144 | 10,072 | PUC |
| 2009-10 | 20100318 | BELGIUM | 73049000 | SECONDARY CARBON STEEL SEAMLESS PIPES | 0.50 | 18,286 | 9,143 | PUC |
| 2009-10 | 20100324 | U K | 73049000 | SECONDARY SECOND CHOICE CARBON STEEL SEAMLESS / WELDED PIPES | 0.40 | 22,883 | 9,153 | PUC |
| 2009-10 | 20100324 | U K | 73049000 | SECONDARY SECOND CHOICE CARBON STEEL SEAMLESS / WELDED PIPES | 0.40 | 20,433 | 8,173 | PUC |
| 2009-10 | 20100317 | U S A | 73042200 | OILFIELD EQUIPMENT- P/N 252192250, WIPER: DRILL PIPE, 5 ID 19 OD, HYDRIL SPLIT | 0.28 | 2,09,664 | 58,706 | PUC |
| 2009-10 | 20100319 | U ARAB EMTS | 73049000 | SECONDARY SECOND CHOICE CARBON STEEL SEAMLESS PIPES STOCK MIX LOT | 0.26 | 17,717 | 4,571 | PUC |
| 2009-10 | 20100324 | U K | 73049000 | SECONDARY SECOND CHOICE CARBON STEEL SEAMLESS / WELDED PIPES | 0.20 | 40,865 | 8,173 | PUC |
| 2009-10 | 20100310 | GERMANY | 73043129 | 30093467-PIPE 159X4.5X435 LONG | 0.16 | 52,119 | 8,339 | PUC |
| 2009-10 | 20100304 | CHINA P RP | 73049000 | CARBON STEEL SEAMLESS MOTHER PIPES (HOT FINISHED) [140MM X 19.05MM X 9970MM | 0.13 | 53,727 | 7,092 | PUC |
| 2009-10 | 20100324 | U K | 73049000 | SECONDARY SECOND CHOICE CARBON STEEL SEAMLESS / WELDED PIPES | 0.10 | 62,110 | 6,211 | PUC |
| 2009-10 | 20100317 | U ARAB EMTS | 73049000 | SECONDARY SECOND CHOICE CARBON STEEL SEAMLESS PIPES STOCK MIX LOT | 0.10 | 24,060 | 2,406 | PUC |
| 2009-10 | 20100317 | U ARAB EMTS | 73049000 | SECONDARY SECOND CHOICE CARBON STEEL SEAMLESS PIPES STOCK MIX LOT | 0.10 | 24,060 | 2,406 | PUC |
| 2009-10 | 20100309 | KUWAIT | 73049000 | SECONDARY CARBON STEEL PIPE SEAMLESS | 0.10 | 19,720 | 1,972 | PUC |
| 2009-10 | 20100318 | U ARAB EMTS | 73049000 | SECONDARY SECOND CHOICE CARBON STEEL SEAMLESS PIPES & PIPESFITTINGS FLANGE STOC | 0.10 | 19,250 | 1,925 | PUC |

**Import Data from DGCIS [All Countries PUC]
Apr 2009 to Jun 2012**

| Year | Date | Country | ITC-HS | Item-Des | Quantity (MT) | Price (Rs./MT) | Value (Rs) | PUC/ NPUC |
|---------|----------|-------------|----------|---|---------------|----------------|--------------|--------------|
| 2009-10 | 20100315 | U ARAB EMTS | 73049000 | SECONDARY SECOND CHOICE CARBON STEEL SEAMLESS/WELDED PIPES | 0.10 | 16,980 | 1,698 | PUC |
| 2009-10 | 20100315 | U ARAB EMTS | 73049000 | SECONDARY SECOND CHOICE CARBON STEEL SEAMLESS / WELDED PIPES | 0.10 | 16,510 | 1,651 | PUC |
| 2009-10 | 20100324 | SINGAPORE | 73049000 | SECONDARY SECOND CHOICE CARBON STEEL SEAMLESS / WELDED PIPES | 0.08 | 1,22,638 | 9,811 | PUC |
| 2009-10 | 20100324 | U K | 73049000 | SECONDARY SECOND CHOICE CARBON STEEL SEAMLESS / WELDED PIPES | 0.06 | 32,683 | 1,961 | PUC |
| 2009-10 | 20100324 | U ARAB EMTS | 73049000 | SECONDARY MILD STEEL SEAMLESS PIPE | 0.05 | 22,640 | 1,132 | PUC |
| 2009-10 | 20100309 | U ARAB EMTS | 73049000 | CARBON STEEL SEAMLESS PIPES STOCK LOT | 0.05 | 18,880 | 944 | PUC |
| 2009-10 | 20100309 | U ARAB EMTS | 73049000 | SECONDARY CARBON STEEL SEAMLESS / WELDED PIPES MIX LOT | 0.05 | 18,660 | 933 | PUC |
| 2009-10 | 20100315 | U ARAB EMTS | 73049000 | SECONDARY CARBON STEEL SEAMLESS / WELDED PIPES MIX LOT | 0.05 | 18,660 | 933 | PUC |
| 2009-10 | 20100323 | NETHERLAND | 73049000 | TUBE,PTFE 0.7 X 1.6MM | 0.03 | 1,05,367 | 3,161 | PUC |
| 2009-10 | 20100308 | U K | 73049000 | SECONDARY SECOND CHOICE CARBON STEEL SEAMLESS / WELDED PIPES | 0.03 | 50,308 | 1,308 | PUC |
| 2009-10 | 20100309 | U S A | 73049000 | SECONDARY SECOND CHOICE CARBON STEEL SEAMLESS / WELDED PIPES | 0.02 | 1,04,875 | 2,517 | PUC |
| 2009-10 | 20100324 | U S A | 73049000 | SECONDARY SECOND CHOICE CARBON STEEL SEAMLESS / WELDED PIPES | 0.02 | 1,02,545 | 2,256 | PUC |
| 2009-10 | 20100329 | GERMANY | 73049000 | CARBON STEEL SEAMLESS SECONDARY PIPES ASTM A 192 | 0.02 | 1,00,750 | 2,015 | PUC |
| 2009-10 | 20100304 | U ARAB EMTS | 73049000 | CARBON STEEL SEAMLESS PIPES STOCK LOT | 0.02 | 47,200 | 944 | PUC |
| 2009-10 | 20100315 | U S A | 73049000 | SECONDARY SECOND CHOICE CARBON STEEL SEAMLESS / WELDED PIPES | 0.02 | 1,09,313 | 1,749 | PUC |
| 2009-10 | 20100309 | U S A | 73049000 | SECONDARY SECOND CHOICE CARBON STEEL SEAMLESS / WELDED PIPES | 0.02 | 1,09,000 | 1,635 | PUC |
| 2009-10 | 20100315 | U S A | 73049000 | SECONDARY SECOND CHOICE CARBON STEEL SEAMLESS / WELDED PIPES | 0.01 | 1,15,000 | 1,150 | PUC |
| 2010-11 | 20100407 | CHINA P RP | 73042200 | PLAIN END SEAMLESS PIPES 2-7/8 OD (1951.969 MTS=209210.09METERS (OR) 21962 PC | 3,576.13 | 68,671 | 24,55,76,440 | PUC |
| 2010-11 | 20100413 | CHINA P RP | 73042390 | SEAMLESS STEEL CASING PIPES (OILFIELD PURPOSE) API 5 CT, 8TH EDITION SIZE-9-5/ | 1,294.00 | 35,808 | 4,63,36,096 | PUC |
| 2010-11 | 20100429 | ITALY | 73041910 | PROCESS PIPE SMLS STEEL PIPES | 1,156.51 | 70,869 | 8,19,60,480 | PUC |
| 2010-11 | 20100409 | CHINA P RP | 73043911 | SEAMLESS CARBON STEEL HOLLOW (TO SPEC SA210) | 1,003.00 | 39,504 | 3,96,22,297 | PUC |
| 2010-11 | 20100415 | CHINA P RP | 73043911 | SEAMLESS STEEL TUBES (GRADE: 37 MN) SIZE: 232 X 5.4 X 3050 MM | 533.00 | 35,352 | 1,88,42,537 | PUC |
| 2010-11 | 20100421 | CHINA P RP | 73049000 | PRIME CARBON STEEL SEAMLESS PIPES GRADE : ASTM A106 GR.B/API 5L GR.B | 431.24 | 33,737 | 1,45,48,474 | PUC |
| 2010-11 | 20100408 | CHINA P RP | 73043911 | HOT FINISHED SEAMLESS TUBES (37 MN) SIZE: 139.7MM X 4.5MM X 5720MM | 427.00 | 43,884 | 1,87,38,280 | PUC |
| 2010-11 | 20100422 | CHINA P RP | 73049000 | CARBON STEEL SEAMLESS LINE PIPES API 5L GR. B/ASTM A106 GR.B (168.3 X 7.11MM) 5 | 400.00 | 34,246 | 1,36,98,330 | PUC |
| 2010-11 | 20100421 | CHINA P RP | 73043119 | SEAMLESS CARBON STEEL AND ALLOY STEEL TUBES.OD 44.50X3.66XR/L OF 10-12 MTR.GRAD | 390.56 | 66,099 | 2,58,15,546 | PUC |
| 2010-11 | 20100412 | CHINA P RP | 73041110 | HOT FINISHED SEAMLESS STEEL TUBE JIS-G-3429-88 GRADE 34CRMO4(267MM X7.5MM) | 359.00 | 51,091 | 1,83,41,784 | PUC |
| 2010-11 | 20100423 | CHINA P RP | 73043119 | SEAMLESS LINE PIPES API 5L GRB/ASTM A 106 GR.B BEVELED END IBR WITH BV SIZE: 8 | 342.00 | 34,612 | 1,18,37,343 | PUC |
| 2010-11 | 20100415 | BELGIUM | 73049000 | SECONDARY CARBON SEAMLESS PIPE | 306.00 | 19,750 | 60,43,552 | PUC |
| 2010-11 | 20100420 | ARGENTINA | 73043939 | SEAMLESS STEEL TUBES(GRADE DS 202) SIZE O.D.267.00MMXWT 6.00 MM (ALLOY STEEL) | 281.00 | 53,744 | 1,51,02,121 | PUC |
| 2010-11 | 20100401 | CHINA P RP | 73043911 | SEAMLESS CARBONSTEEL HOLLOW 60.3X8.5X8800MM | 276.00 | 39,518 | 1,09,06,846 | PUC |
| 2010-11 | 20100412 | CHINA P RP | 73043919 | CARBON STEEL SEAMLESS TUBES TO DIN 17175(FULLY KILLED STEEL)SIZE 33.40MMOD X 3. | 249.35 | 38,097 | 94,99,488 | PUC |
| 2010-11 | 20100406 | CHINA P RP | 73049000 | PRIME CARBON STEEL SEAMLESS PIPES GRADE : ASTM A 106 GR.B / API5L GR.B | 248.00 | 33,066 | 82,00,398 | PUC |
| 2010-11 | 20100421 | CHINA P RP | 73049000 | CARBON STEEL SEAMLESS PIPE ASTM A106 GR. B/API 5L GR. B (ASPER INVOICE) | 242.80 | 28,458 | 69,09,602 | PUC |
| 2010-11 | 20100413 | CHINA P RP | 73043911 | 73043911 SEAMLESS HOLLOW(CARBON STEEL)TO SPEC.SA192 & SA210 | 241.00 | 39,634 | 95,51,683 | PUC |
| 2010-11 | 20100401 | CHINA P RP | 73043911 | SEAMLESS CARBON STEEL HOLLOW 48.3X6.9X10000MM | 229.00 | 39,611 | 90,70,826 | PUC |
| 2010-11 | 20100401 | GERMANY | 73043119 | SEAMLESS TUBE HOLLOW ST 37.4 SIZE 54,000 X 4,500 MM) (RL 10,000.00 -12,000.00 | 211.10 | 43,352 | 91,51,797 | PUC |
| 2010-11 | 20100413 | CHINA P RP | 73045110 | ALLOY AND CARBON STEEL SEAMLESS TUBES 50.80MM X 4.06MM X 11000MM | 210.00 | 84,981 | 1,78,45,839 | PUC |
| 2010-11 | 20100330 | CHINA P RP | 73041110 | CARBON STEEL SEAMLESS PIPE ASTM A106/API 5 LGR B.PSIL 168.3MM OD X 18.26 MM THK | 201.00 | 35,220 | 70,79,310 | PUC |
| 2010-11 | 20100419 | CHINA P RP | 73043911 | CARBON STEEL SEAMLESS MOTHER PIPE (HOT FINISHED)21.3 X 2.77 X 5000-7000MM | 197.00 | 42,533 | 83,78,988 | PUC |
| 2010-11 | 20100409 | CHINA P RP | 73043119 | SEAMLESS CARBON STEEL AND ALLOY STEEL PIPES.OD 168.3X25.4 XR/L OF 6-6.10MTR.GRA | 193.41 | 26,155 | 50,58,660 | PUC |

**Import Data from DGCIS [All Countries PUC]
Apr 2009 to Jun 2012**

| Year | Date | Country | ITC-HS | Item-Des | Quantity (MT) | Price (Rs./MT) | Value (Rs) | PUC/ NPUC |
|---------|----------|-------------|----------|---|---------------|----------------|-------------|--------------|
| 2010-11 | 20100408 | CHINA P RP | 73049000 | CARBONSTEEL SEAMLESS PIPES AS PER ASTM A106 GR B/ASTM A53/API 5L SIZE OD:88.9 | 186.00 | 37,752 | 70,21,931 | PUC |
| 2010-11 | 20100412 | SAUDI ARAB | 73049000 | SECONDARY SECOND CARBON STEEL SEAMLESS/WELDED PIPES MIXED THICKNESS MIXED LOT. | 183.00 | 16,308 | 29,84,341 | PUC |
| 2010-11 | 20100401 | JAPAN | 73043911 | HOT FINISHED SEAMLESS ST | 177.93 | 58,551 | 1,04,18,286 | PUC |
| 2010-11 | 20100428 | U K | 73042390 | SUPPLY OF DRILL PIPES 5 19.5PPF S-135 R/H IEU (5992.060MTRS=207.236MTS) (621 P | 173.86 | 1,77,487 | 3,08,58,572 | PUC |
| 2010-11 | 20100420 | U S A | 73049000 | SECONDARY/DEFECTIVE CARBON STEEL SEAMLESS PIPE | 162.00 | 27,935 | 45,25,516 | PUC |
| 2010-11 | 20100412 | CHINA P RP | 73045110 | BEARING QUALITY STEEL TUBE SAE-52100 AND SUJ-3 SIZE:30.15X5.4MM | 158.00 | 64,138 | 1,01,33,814 | PUC |
| 2010-11 | 20100401 | SINGAPORE | 73049000 | CARBON STEEL SEAMLESS PIPES STOCK LOT | 156.00 | 21,162 | 33,01,262 | PUC |
| 2010-11 | 20100406 | CHINA P RP | 73049000 | CARBON STEEL SEAMLESS PIPES AS PER ASTM A 106 GRADE B/API 5L GRADE B. | 155.00 | 28,458 | 44,10,990 | PUC |
| 2010-11 | 20100424 | JAPAN | 73045910 | CARBON STEEL PIPES (HOT FINISH SEAMLESS) 219.1 MM X 50.00 MM X 6500 MM | 150.81 | 69,128 | 1,04,24,995 | PUC |
| 2010-11 | 20100424 | GERMANY | 73049000 | SECONDARY DEFECTIVE CARBON STEEL SEAMLESS PIPE | 149.00 | 24,070 | 35,86,382 | PUC |
| 2010-11 | 20100412 | ITALY | 73043911 | COLD DRWAN SEAMLESS STEEL TUBE 128.00X9.00X1.00 E355 | 147.46 | 47,905 | 70,63,959 | PUC |
| 2010-11 | 20100427 | U S A | 73049000 | SECONDARY/DEFECTIVE CARBON STEEL SEAMLESS PIPE | 144.00 | 27,549 | 39,67,110 | PUC |
| 2010-11 | 20100428 | GERMANY | 73045110 | SECONDARY AND DEFECTIVE SEAMLESS STEEL TUBES (ALLOY STEEL),GRADE: 100CR6 , SIZE | 143.00 | 28,187 | 40,30,688 | PUC |
| 2010-11 | 20100417 | CHINA P RP | 73049000 | CARBON STEEL SEAMLESS PIPES CONFORMING TO ASTM A106 GR.B 16 SCH100 | 143.00 | 41,920 | 59,94,612 | PUC |
| 2010-11 | 20100423 | CHINA P RP | 73041110 | SEAMLESS CARBON STEEL TUBES TUBE,SA192, OD 50.8X4.47M (ASPER INVOICE) | 137.00 | 47,953 | 65,69,582 | PUC |
| 2010-11 | 20100426 | U ARAB EMTS | 73041990 | REJECTED PIPE PICES ASSORTED SIZE WEIGHT & THICKNESS PSI NO. 10/GCC/2576 DT: 16 | 134.00 | 18,405 | 24,66,329 | PUC |
| 2010-11 | 20100421 | U K | 73049000 | SECONDARY CARBON STEEL PIPES SEAMLESS | 133.00 | 19,186 | 25,51,737 | PUC |
| 2010-11 | 20100427 | CHINA P RP | 73049000 | CARBON STEEL SEAMLESS HOT FINISHED MOTHER PIPES GRADE DIN17175 ST 35.8 , SIZE | 131.00 | 39,457 | 51,68,814 | PUC |
| 2010-11 | 20100421 | JAPAN | 73049000 | SEC/STOCK SURPLUS CORBON STEEL SEAMLESS PIPES MIX SIZE & LENGTH | 130.00 | 26,462 | 34,39,998 | PUC |
| 2010-11 | 20100428 | CHINA P RP | 73049000 | SEAMLESS CARBON STEEL PIPES (A 106/AP15L GR B) (12 SCH30, SCH40, STD X 5800 MM | 130.00 | 35,534 | 46,19,388 | PUC |
| 2010-11 | 20100412 | SAUDI ARAB | 73049000 | SECONDARY SECOND CARBON STEEL SEAMLESS/WELDED PIPES MIXED THICKNESS MIXED LOT. | 129.00 | 16,271 | 20,98,948 | PUC |
| 2010-11 | 20100423 | CHINA P RP | 73045110 | BEARING QUALITY STEEL TUBE SAE-52100 AND SUJ-3 SIZE 47.7X4.3MM | 125.00 | 61,026 | 76,28,294 | PUC |
| 2010-11 | 20100423 | CHINA P RP | 73069090 | BEARING SEAMLESS STEEL TUBES - 61902 OR (6 BDL) | 123.84 | 70,553 | 87,36,940 | PUC |
| 2010-11 | 20100401 | CHINA P RP | 73049000 | CARBON STEEL SEAMLESS PIPE ASTM A106/A53/AP15L GR.B | 121.00 | 28,529 | 34,51,956 | PUC |
| 2010-11 | 20100419 | CHINA P RP | 73045110 | BEARING QUALITY STEEL TUBE SAE-52100 AND SUJ-3 SIZE: 21.05 X 3.35MM | 115.00 | 66,303 | 76,24,857 | PUC |
| 2010-11 | 20100429 | ITALY | 73069090 | SEAMLESS COLD DRAWN TUBES (111.00 X 95.00 X **** MM) | 111.40 | 91,557 | 1,01,99,201 | PUC |
| 2010-11 | 20100407 | CHINA P RP | 73049000 | HOT FINISHED SEAMLESS STEEL TUBE GRADE 34 CRMO4 | 108.00 | 50,290 | 54,31,366 | PUC |
| 2010-11 | 20100427 | MALAYSIA | 73049000 | CARBON STEEL SEAMLESS PIPE STOCK LOT | 106.00 | 23,624 | 25,04,120 | PUC |
| 2010-11 | 20100412 | JAPAN | 73049000 | CARBON STEEL SECONDARY PIPES | 106.00 | 23,558 | 24,97,100 | PUC |
| 2010-11 | 20100426 | U ARAB EMTS | 73043119 | REJECTED/SEAMLESS & WELDED PIPES | 105.00 | 25,555 | 26,83,317 | PUC |
| 2010-11 | 20100409 | CHINA P RP | 73043919 | CARBON STEEL SEAMLESS TUBES TO ASTM A179 (FULLY KILLED STEEL)SIZE 48.3 MM OD X | 104.12 | 35,802 | 37,27,704 | PUC |
| 2010-11 | 20100421 | U S A | 73049000 | SECONDARY SECOND CHOICE CARBON STEEL SEAMLESS/WELDED PIPES | 104.00 | 16,083 | 16,72,598 | PUC |
| 2010-11 | 20100406 | CHINA P RP | 73045910 | SEAMLESS STEEL PIPES FOR CYLINDERSOD 108.00MM X 4.0MM X L-5620MM | 104.00 | 44,559 | 46,34,116 | PUC |
| 2010-11 | 20100406 | CHINA P RP | 73043119 | SEAMLESS LINE PIPES API 5 LGRB/ASTM A 106 GR B/A53 B IBR WITH BV BEWELDEND AND | 103.00 | 32,259 | 33,22,628 | PUC |
| 2010-11 | 20100422 | CHINA P RP | 73049000 | PRIME CARBON STEEL SEAMLESS PIPES TO ASTM A106 GR.B | 103.00 | 28,695 | 29,55,570 | PUC |
| 2010-11 | 20100414 | SWEDEN | 73045110 | SECONDARY AND DEFECTIVE SEAMLESS STEEL TUBES, GRADE: ST 52-3, SIZE: THICK XWIDT | 101.00 | 28,622 | 28,90,820 | PUC |
| 2010-11 | 20100421 | CHINA P RP | 73043919 | CARBON STEEL SEAMLESS TUBES TO ASTM A 179 (FULLY KILLED STEEL)(SIZE 33.4 MM OD | 101.00 | 38,077 | 38,45,816 | PUC |
| 2010-11 | 20100420 | CHINA P RP | 73043911 | CARBON STEEL SEAMLESS PIPE (HOT FINISHED)25 X 2.5 X 11800 MM (STC 5805 PCS IN 6 | 100.00 | 43,546 | 43,54,584 | PUC |
| 2010-11 | 20100409 | CHINA P RP | 73043919 | CARBON STEEL SEAMLESS TUBES TO ASTM A179 (FULLY KILLED STEEL)SIZE 25.4 MM ODX 2 | 99.91 | 38,418 | 38,38,526 | PUC |
| 2010-11 | 20100427 | ITALY | 73049000 | SECONDARY CARBON STEEL SEAMLESS PIPES (MIX LOTS) | 99.00 | 18,668 | 18,48,114 | PUC |
| 2010-11 | 20100424 | CHINA P RP | 73043911 | CARBON STEEL SEAMLESS MOTHER PIPE (HOT FINISHED)33.40 X 4.55 X 5000-7000MM (STC | 99.00 | 38,718 | 38,33,036 | PUC |

**Import Data from DGCIS [All Countries PUC]
Apr 2009 to Jun 2012**

| Year | Date | Country | ITC-HS | Item-Des | Quantity (MT) | Price (Rs./MT) | Value (Rs) | PUC/ NPUC |
|---------|----------|-------------|----------|--|---------------|----------------|------------|--------------|
| 2010-11 | 20100405 | CHINA P RP | 73045110 | BEARING QUALITY STEEL TUBE SAE-52100 AND SUJ-3 SIZE:82.9X9.55MM | 98.00 | 62,594 | 61,34,241 | PUC |
| 2010-11 | 20100412 | FRANCE | 73049000 | M.S. SEAMLESS PIPES SECONDARY SECOND CHOICE MIX | 97.00 | 20,021 | 19,42,000 | PUC |
| 2010-11 | 20100405 | GERMANY | 73049000 | CARBON STEEL SECONDARY PIPES | 96.00 | 17,247 | 16,55,710 | PUC |
| 2010-11 | 20100401 | CHINA P RP | 73043911 | SEAMLESS STEEL TUBE | 90.74 | 53,611 | 48,64,633 | PUC |
| 2010-11 | 20100424 | CHINA P RP | 73043939 | HYDRAULIC CYLINDER HONED TUBE - 210*180 | 89.69 | 19,178 | 17,20,124 | PUC |
| 2010-11 | 20100413 | U S A | 73049000 | SECONDARY DEFECTIVE MS SEAMLESS PIPE | 86.00 | 22,005 | 18,92,411 | PUC |
| 2010-11 | 20100428 | CHINA P RP | 73045110 | BEARING QUALITY STEEL TUBE SAE-52100 AND SUJ-3, TMB6306/25IR 43.6 X 9.7MM | 86.00 | 59,399 | 51,08,275 | PUC |
| 2010-11 | 20100416 | U S A | 73049000 | SECONDARY SECOND CHOICE CARBON STEEL SEAMLESS/WELDED PIPES | 85.00 | 16,083 | 13,67,027 | PUC |
| 2010-11 | 20100421 | CHINA P RP | 73043119 | SEAMLESS CARBON AND ALLOY STEEL PIPES.OD273.00 X 9.27 X F/L OF 6 MTR, GRADE SA 3 | 83.23 | 51,068 | 42,50,482 | PUC |
| 2010-11 | 20100421 | CHINA P RP | 73043119 | COLD DRAWN SEAMLESS STEEL TUBES AS PER DIN STD 2391 50 MM OD X 38 MM ID | 83.00 | 45,975 | 38,15,937 | PUC |
| 2010-11 | 20100426 | CHINA P RP | 73045110 | BEARING QUALITY STEEL TUBE SAE-52100 , BB1103 OR , 72.28 X 60.20 MM | 82.57 | 54,347 | 44,87,337 | PUC |
| 2010-11 | 20100412 | JAPAN | 73049000 | CARBON STEEL SECONDARY PIPES | 82.00 | 23,506 | 19,27,492 | PUC |
| 2010-11 | 20100407 | CHINA P RP | 73045110 | BEARING QUALITY STEEL TUBE SAE-52100 SIZE 37.01 X 27.77 MM (GRADE GCR15) | 80.08 | 49,596 | 39,71,577 | PUC |
| 2010-11 | 20100412 | JAPAN | 73049000 | CARBON STEEL SECONDARY PIPES | 80.00 | 23,501 | 18,80,106 | PUC |
| 2010-11 | 20100422 | CHINA P RP | 73049000 | CARBON STEEL SEAMLESS PIPES ASTM A106 GR.B / APL 5L GR.B SIZE 193.7 MM X 10 MM | 80.00 | 32,960 | 26,36,835 | PUC |
| 2010-11 | 20100401 | U S A | 73049000 | SECONDARY/DEFECTIVE CARBON STEEL SEAMLESS PIPE | 77.00 | 27,221 | 20,96,042 | PUC |
| 2010-11 | 20100427 | JAPAN | 73049000 | SECONDARY CARBON STEEL PIPES | 77.00 | 23,647 | 18,20,816 | PUC |
| 2010-11 | 20100421 | BELGIUM | 73049000 | M.S. SEAMLESS PIPES SECONDARY SECOND CHOICE MIX | 77.00 | 20,075 | 15,45,811 | PUC |
| 2010-11 | 20100416 | JAPAN | 73049000 | SECONDARY DEFECTIVE M.S.PIPES OF MIX SIZES | 77.00 | 17,409 | 13,40,510 | PUC |
| 2010-11 | 20100416 | U ARAB EMTS | 73049000 | SECONDARY SECOND CHOICE CARBON STEEL SEAMLESS PIPE MIXED LOT | 76.00 | 23,672 | 17,99,099 | PUC |
| 2010-11 | 20100412 | JAPAN | 73049000 | CARBON STEEL SECONDARY PIPES | 75.00 | 23,637 | 17,72,793 | PUC |
| 2010-11 | 20100401 | JAPAN | 73043911 | SEAMLESS STEEL TUBE | 74.85 | 43,951 | 32,89,585 | PUC |
| 2010-11 | 20100330 | MALAYSIA | 73043919 | CARBON STEEL SEAMLESS TUBES TO ASTM A179(FULLY KILLED STEEL) OD 20.00MM X 2.00M | 70.11 | 44,253 | 31,02,575 | PUC |
| 2010-11 | 20100413 | CHINA P RP | 73043119 | CARBON STEEL SEAMLESS TUBE - ASME SA192 (50.8X4.06X9000MM) | 66.00 | 43,196 | 28,50,948 | PUC |
| 2010-11 | 20100408 | CHINA P RP | 73042990 | CARBON STEEL SEAMLESS PIPE ACCORDING TO API 5CT K55 | 65.00 | 47,861 | 31,10,963 | PUC |
| 2010-11 | 20100423 | RUSSIA | 73043911 | SEAMLESS TUBULARS (API 5L GR X 52) | 64.00 | 65,297 | 41,78,985 | PUC |
| 2010-11 | 20100426 | U S A | 73049000 | SECONDARY SECOND CHOICE CARBON STEEL SEAMLESS/WELDED PIPES | 63.00 | 16,236 | 10,22,858 | PUC |
| 2010-11 | 20100410 | GERMANY | 73043911 | 73043911 BOILER QUALITY SEAMLESS TUBES(C/S)TO SPEC.SA210 | 60.00 | 59,122 | 35,47,312 | PUC |
| 2010-11 | 20100422 | CHINA P RP | 73045130 | SEAMLESS CARBON STEEL PIPE ASTMA/ASME SA 106 GR.B SIZE 219.1 X 40 X 5-7M | 60.00 | 70,331 | 42,19,887 | PUC |
| 2010-11 | 20100424 | CHINA P RP | 73043911 | CARBON STEEL SEAMLESS PIPE (HOT FINISHED)48.30 X 5.08 X 5000 - 7000 | 59.00 | 35,713 | 21,07,091 | PUC |
| 2010-11 | 20100424 | CHINA P RP | 73043911 | CARBON STEEL SEAMLESS MOTHER PIPE (HOT FINISHED)26.70 X 3.91 X 5000-7000MM (STC | 58.00 | 39,224 | 22,74,964 | PUC |
| 2010-11 | 20100412 | JAPAN | 73049000 | CARBON STEEL SECONDARY PIPES | 55.00 | 23,546 | 12,95,050 | PUC |
| 2010-11 | 20100427 | MALAYSIA | 73049000 | CARBON STEEL SEAMLESS/WELDED PIPES STOCK LOT | 55.00 | 23,525 | 12,93,856 | PUC |
| 2010-11 | 20100407 | U ARAB EMTS | 73049000 | SECONDARY SECOND CHOICE CARBON STEEL SEAMLESS / WELDED PIPES | 53.00 | 18,567 | 9,84,027 | PUC |
| 2010-11 | 20100408 | CHINA P RP | 73045910 | COLD DRAWN SEAMLESS ALLOY STEEL TUBES 50.800MM X 5.600MM X 7300MM | 52.40 | 57,850 | 30,31,190 | PUC |
| 2010-11 | 20100416 | U ARAB EMTS | 73049000 | SECONDARY SECOND CHOICE CARBON STEEL SEAMLESS PIPE MIXED LOT | 52.00 | 24,037 | 12,49,900 | PUC |
| 2010-11 | 20100426 | U ARAB EMTS | 73049000 | SECONDARY SECOND CHOICE CARBON STEEL SEAMLESS/WELDED PIPES | 52.00 | 16,464 | 8,56,150 | PUC |
| 2010-11 | 20100413 | U ARAB EMTS | 73041990 | SECONDARY DEFECTED REJECTED PIPE (M.S.PIPE) | 52.00 | 16,061 | 8,35,161 | PUC |
| 2010-11 | 20100406 | U S A | 73049000 | SECONDARY & DEFECTIVE SEAMLESS PIPES | 51.99 | 19,298 | 10,03,322 | PUC |
| 2010-11 | 20100426 | SINGAPORE | 73049000 | CARBON STEEL SEAMLESS PIPES SECONDARY/STOCK/SURPLUS | 51.00 | 26,603 | 13,56,732 | PUC |
| 2010-11 | 20100422 | U ARAB EMTS | 73049000 | SECONDARY SECOND CHOICE CARBON STEEL SEAMLESS PIPE, MIXED LOT | 51.00 | 24,020 | 12,25,044 | PUC |

**Import Data from DGCIS [All Countries PUC]
Apr 2009 to Jun 2012**

| Year | Date | Country | ITC-HS | Item-Des | Quantity (MT) | Price (Rs./MT) | Value (Rs) | PUC/ NPUC |
|---------|----------|-------------|----------|---|---------------|----------------|------------|--------------|
| 2010-11 | 20100422 | U ARAB EMTS | 73049000 | SECONDARY SECOND CHOICE CARBON STEEL SEAMLESS PIPE, MIXED LOT | 51.00 | 23,974 | 12,22,677 | PUC |
| 2010-11 | 20100428 | JAPAN | 73049000 | SECONDARY CARBON STEEL PIPES | 51.00 | 23,737 | 12,10,577 | PUC |
| 2010-11 | 20100416 | U ARAB EMTS | 73049000 | SECONDARY SECOND CHOICE CARBON STEEL SEAMLESS PIPE MIXED LOT | 51.00 | 23,672 | 12,07,290 | PUC |
| 2010-11 | 20100414 | CHINA P RP | 73042990 | SEAMLESS STEEL PIPE API 5L GRADE B 141.3MMX9.53MM | 51.00 | 40,034 | 20,41,713 | PUC |
| 2010-11 | 20100414 | CHINA P RP | 73042990 | BRAND NEW DRILL PIPES 2-7/8 OD, RIGHT HAND THREAD, STEEL GRADE G-105, 10.4 PPF | 49.00 | 1,52,755 | 74,85,005 | PUC |
| 2010-11 | 20100427 | CHINA P RP | 73049000 | CARBON STEEL SEAMLESS PIPE CONFIRMING TO API 5L GR.B/ASTM A106 GR.B | 49.00 | 25,294 | 12,39,428 | PUC |
| 2010-11 | 20100409 | GERMANY | 73049000 | SECONDARY DEFECTIVE CARBON STEEL SEAMLESS PIPE/TUBE | 48.00 | 30,411 | 14,59,750 | PUC |
| 2010-11 | 20100405 | CHINA P RP | 73043119 | CARBON STEEL SEAMLESS PIPES TO ASTM A106 GR.B (114.3X6.02X5800) | 48.00 | 32,578 | 15,63,725 | PUC |
| 2010-11 | 20100405 | CHINA P RP | 73049000 | CARBON SEAMLESS STEEL PIPE API 5LB/ASTM A106 B | 48.00 | 28,695 | 13,77,367 | PUC |
| 2010-11 | 20100409 | CHINA P RP | 73049000 | SEAMLESS CARBON STEEL PIPE API 5LB /ASTM A106B | 48.00 | 28,225 | 13,54,811 | PUC |
| 2010-11 | 20100422 | CHINA P RP | 73043119 | SEAMLESS CARBON STEEL PIPES.OD127 .0X10.50 X R/L OF 6 -6,10 MTR,GRADE SA 106 | 47.26 | 41,306 | 19,52,062 | PUC |
| 2010-11 | 20100422 | U ARAB EMTS | 73049000 | SECONDARY SECOND CHOICE CARBON STEEL SEAMLESS PIPE, MIXED LOT | 45.00 | 23,909 | 10,75,908 | PUC |
| 2010-11 | 20100408 | OMAN | 73049000 | SECONDARY DEFECTIVE CARBON STEEL SEAMLESS PIPE | 45.00 | 23,693 | 10,66,203 | PUC |
| 2010-11 | 20100414 | CHINA P RP | 73045110 | ALLOY AND CARBON STEEL SEAMLESS TUBES 50.80MM X 5.00MM X 9000MM | 44.90 | 67,915 | 30,49,503 | PUC |
| 2010-11 | 20100422 | ITALY | 73069090 | SEAMLESS COLD DRAWN TUBES FOR HYDRAULIC CYLINDERS (ID 160 X OD 180) | 43.41 | 79,710 | 34,59,951 | PUC |
| 2010-11 | 20100407 | NETHERLAND | 73049000 | COLD DRAWN MS RECTANGULAR TUBE AS PER EN 10219, S355 JO/ S355 J2H 140 X 80 X 10 | 43.22 | 30,218 | 13,06,069 | PUC |
| 2010-11 | 20100426 | U S A | 73049000 | SECONDARY SECOND CHOICE CARBON STEEL SEAMLESS/WELDED PIPES | 43.00 | 16,083 | 6,91,555 | PUC |
| 2010-11 | 20100312 | CHINA P RP | 73043119 | SEAMLESS STEEL TUBE ASTM A106 GRADE `B` 50 X 6 X 5000-5800MM | 42.41 | 41,752 | 17,70,734 | PUC |
| 2010-11 | 20100402 | CHINA P RP | 73041110 | MS SEAMLESS PIPES /TUBES 8 X18MMX219.1 ODX18WTX5-5.8 | 42.40 | 22,032 | 9,34,113 | PUC |
| 2010-11 | 20100430 | CHINA P RP | 73069090 | BEARING SEAMLESS STEEL TUBES - 6004 OR (18 BDL) | 41.60 | 68,365 | 28,43,708 | PUC |
| 2010-11 | 20100412 | ITALY | 73043911 | COLD DRAWN SEAMLESS STEEL TUBE128.00X9.00X1.00E355 | 41.30 | 66,942 | 27,64,479 | PUC |
| 2010-11 | 20100424 | CHINA P RP | 73049000 | PRIME CARBON STEEL SEAMLESS PIPES TO ASTM A 106 GR.B | 41.00 | 28,852 | 11,82,912 | PUC |
| 2010-11 | 20100406 | CHINA P RP | 73043919 | CARBON STEEL SEAMLESS PIPES ASME/SA210 A1 SIZE OD 54.0MM-54.53MMXTHICKNESS 3.8M | 40.05 | 25,529 | 10,22,360 | PUC |
| 2010-11 | 20100415 | CHINA P RP | 73049000 | SECONDARY CARBON STEEL PIPE THICKNESS MIXED LOT. | 40.00 | 16,520 | 6,60,795 | PUC |
| 2010-11 | 20100408 | CHINA P RP | 73045110 | STEEL TUBE DIA 4.76 X 0.60 MM WITH COPPER COATED (FOR CAPTIVE CONSUMPTION) | 39.82 | 55,534 | 22,11,130 | PUC |
| 2010-11 | 20100329 | U ARAB EMTS | 73043939 | HYDRAULIC CYLINDER HONED TUBE 156*130 | 38.75 | 34,839 | 13,50,131 | PUC |
| 2010-11 | 20100409 | U S A | 73049000 | SECONDARY/DEFECTIVE CARBON STEEL SEAMLESS PIPE | 37.00 | 22,542 | 8,34,045 | PUC |
| 2010-11 | 20100403 | CHINA P RP | 73045110 | BEARING QUALITY STEEL TUBE SAE 52100 - SIZE 48.5 * 5.5 | 36.80 | 56,916 | 20,94,281 | PUC |
| 2010-11 | 20100427 | JAPAN | 73049000 | SECONDARY DEFECTIVE CARBON STEEL SEAMLESS PIPES | 35.00 | 31,213 | 10,92,472 | PUC |
| 2010-11 | 20100410 | ITALY | 73043911 | SEAMLESS STEEL TUBES (34 CRM04) SIZE: 140.00 MM X 4.50MM (ALLOY STEEL) | 34.42 | 1,09,235 | 37,60,322 | PUC |
| 2010-11 | 20100416 | GERMANY | 73049000 | HOT FINISHED SEAMLESS STEEL TUBE 114.3X9.53 - ASME SA-106 GR.B | 34.02 | 66,823 | 22,73,334 | PUC |
| 2010-11 | 20100428 | CHINA P RP | 73045110 | BEARING QUALITY STEEL TUBE SAE 52100 42.7*6.5 | 33.52 | 56,916 | 19,07,939 | PUC |
| 2010-11 | 20100421 | CHINA P RP | 73043119 | SEAMLESS CARBON AND ALLOY STEEL TUBES.OD 44.50 X 4.50 X R/L OF 10-12MTR.GRADE. | 28.90 | 45,257 | 13,07,875 | PUC |
| 2010-11 | 20100428 | SWEDEN | 73045110 | SECONDARY AND DEFECTIVE SEAMLESS STEEL TUBES (CARBON STEEL), GRADE: ST 52-3, SI | 27.00 | 24,367 | 6,57,902 | PUC |
| 2010-11 | 20100430 | U ARAB EMTS | 73069090 | SECONDARY DEFECTIVE UNUSED PARTIALY RUSTED PIPES OF VARIOUS SIZE & LENGTHS | 27.00 | 23,550 | 6,35,840 | PUC |
| 2010-11 | 20100429 | U ARAB EMTS | 73042990 | M.S. REJECTED PIPES | 27.00 | 19,370 | 5,22,982 | PUC |
| 2010-11 | 20100421 | U ARAB EMTS | 73049000 | SECONDARY SECOND CHOICE CARBON STEEL SEAMLESS PIPE, MIXED LOT | 26.00 | 24,037 | 6,24,950 | PUC |
| 2010-11 | 20100416 | U ARAB EMTS | 73069090 | SECONDARY DEFECTIVE UNUSED PARTIALLY RUSTED PIPES OF VARIOUS SIZES & LENGTHS | 26.00 | 23,706 | 6,16,350 | PUC |
| 2010-11 | 20100416 | OMAN | 73049000 | SECONDARY DEFECTIVE CARBON STEEL SEAMLESS PIPE | 26.00 | 23,248 | 6,04,457 | PUC |
| 2010-11 | 20100420 | U ARAB EMTS | 73049000 | SECONDARY SECOND CHOICE CARBON STEEL SEAMLESS/WELDED PIPES | 26.00 | 18,988 | 4,93,685 | PUC |
| 2010-11 | 20100421 | U ARAB EMTS | 73049000 | SECONDARY SECOND CHOICE CARBON STEEL SEAMLESS/WELDED PIPES | 26.00 | 16,496 | 4,28,887 | PUC |

**Import Data from DGCIS [All Countries PUC]
Apr 2009 to Jun 2012**

| Year | Date | Country | ITC-HS | Item-Des | Quantity (MT) | Price (Rs./MT) | Value (Rs) | PUC/ NPUC |
|---------|----------|-------------|----------|---|---------------|----------------|------------|--------------|
| 2010-11 | 20100423 | U K | 73049000 | SECONDARY SECOND CHOICE CARBON STEEL SEAMLESS/WELDED PIPES | 26.00 | 16,132 | 4,19,436 | PUC |
| 2010-11 | 20100414 | CHINA P RP | 73042990 | SEAMLESS STEEL PIPE API 5L GRADE B 141.3MMX9.53MM | 26.00 | 39,834 | 10,35,693 | PUC |
| 2010-11 | 20100421 | SINGAPORE | 73043919 | CARBON STEEL SEAMLESS TUBES TO ASTM A 106 GR B (SIZE 48.3MM OD X 7.14 MM WT X | 25.00 | 37,557 | 9,38,918 | PUC |
| 2010-11 | 20100421 | U ARAB EMTS | 73049000 | SECONDARY SECOND CHOICE CARBON STEEL SEAMLESS PIPE, MIXED LOT | 25.00 | 23,900 | 5,97,490 | PUC |
| 2010-11 | 20100430 | CHINA P RP | 73043119 | SPHERODIZED ANNEALED SAE52100 SEAMLESS COLD-DRAWN TUBES OD WALL THICKNESS-30.87 | 25.00 | 60,549 | 15,13,730 | PUC |
| 2010-11 | 20100401 | CHINA P RP | 73045110 | GR STEEL | 24.64 | 45,474 | 11,20,580 | PUC |
| 2010-11 | 20100426 | ITALY | 73041190 | SEAMLESS COLD DRAWN TUBES FOR HYDRAULIC CYLINDER ACCORDING 110.00X****X10.00MM. | 24.58 | 1,00,191 | 24,62,182 | PUC |
| 2010-11 | 20100405 | JAPAN | 73049000 | SECONDARY CARBON STEEL SEAMLESS PIPES | 24.00 | 25,990 | 6,23,765 | PUC |
| 2010-11 | 20100422 | U ARAB EMTS | 73049000 | SECONDARY SECOND CHOICE CARBON STEEL SEAMLESS PIPE MIXED LOT | 24.00 | 23,722 | 5,69,320 | PUC |
| 2010-11 | 20100429 | MALAYSIA | 73041910 | USED IRON PIPES | 24.00 | 21,627 | 5,19,051 | PUC |
| 2010-11 | 20100426 | BELGIUM | 73049000 | M.S. SEAMLESS PIPES SECONDARY SECOND CHOICE MIX | 24.00 | 19,952 | 4,78,844 | PUC |
| 2010-11 | 20100408 | U ARAB EMTS | 73042990 | M.S. REJECTED PIPES | 24.00 | 19,360 | 4,64,637 | PUC |
| 2010-11 | 20100430 | CHINA P RP | 73043129 | SEAMLESS STEEL PIPE AS PER ASTM A106 GR.B/API 5L GR.B8 O.D. 219.1MM WT 18 | 24.00 | 40,138 | 9,63,300 | PUC |
| 2010-11 | 20100416 | CHINA P RP | 73045110 | STEEL TUBE DIA 4.0 0.5 MM WITH ZINC COATED | 23.74 | 84,233 | 20,00,092 | PUC |
| 2010-11 | 20100407 | CHINA P RP | 73049000 | SEAMLESS COLD DRAWN SEAMLESS STEEL TUBE BK,5-5.8MTR 30.00MMX6.80MM(ODXWT) ST37 | 23.28 | 44,866 | 10,44,663 | PUC |
| 2010-11 | 20100416 | U ARAB EMTS | 73049000 | SECONDARY CARBON STEEL SEAMLESS & WELDED PIPES MIX LOT | 23.00 | 18,759 | 4,31,460 | PUC |
| 2010-11 | 20100416 | CHINA P RP | 73049000 | CABRON STEEL SEAMLESS PIPE FITTING (EX-STOCK) | 23.00 | 23,214 | 5,33,932 | PUC |
| 2010-11 | 20100416 | CHINA P RP | 73041110 | CARBON SEAMLESS STEEL PIPE ,ASTM A106GR B 122MMX8MM | 22.90 | 37,159 | 8,50,867 | PUC |
| 2010-11 | 20100416 | CHINA P RP | 73041990 | 5 1/2 15.5 J55 BTC 5 METER PUP JOINT (CASING OF A KIND USEDIN DRILLING FOR OIL | 22.19 | 51,806 | 11,49,625 | PUC |
| 2010-11 | 20100426 | U ARAB EMTS | 73049000 | SECONDARY CARBON STEEL SEAMLESS & WELDED PIPES MIX LOT | 22.00 | 19,028 | 4,18,608 | PUC |
| 2010-11 | 20100423 | U K | 73049000 | SECONDARY SECOND CHOICE CARBON STEEL SEAMLESS/WELDED PIPES | 22.00 | 16,200 | 3,56,392 | PUC |
| 2010-11 | 20100405 | CHINA P RP | 73049000 | OIL WELL SUPPLIES: SLOTTED CASINGS - 5 XL | 22.00 | 1,20,249 | 26,45,474 | PUC |
| 2010-11 | 20100412 | CHINA P RP | 73043119 | SPHERODIZED ANNEALED SAE52100 SEAMLESS COLD DRAWN TUBES OD.WALL THICKESNN 30. | 22.00 | 59,900 | 13,17,800 | PUC |
| 2010-11 | 20100419 | CHINA P RP | 73041910 | SEAMLESS PRECISION STEEL TUBE - 50 X 6 X L (=940MMX 2/3/4/5/6) | 22.00 | 44,338 | 9,75,444 | PUC |
| 2010-11 | 20100426 | CHINA P RP | 73043119 | CARBON SEAMLESS STEEL PIPE API 5L/ASTM A106 GR.B | 22.00 | 30,281 | 6,66,186 | PUC |
| 2010-11 | 20100416 | CHINA P RP | 73049000 | ALLOY STEEL SEAMLESS TUBE GRADE 20CR 26 X 15.9 | 21.82 | 55,221 | 12,05,084 | PUC |
| 2010-11 | 20100423 | JAPAN | 73041990 | 9 - 5/8 CASING, 47PPF, L-80, BTC,R3(8 PCS) | 21.82 | 57,515 | 12,54,972 | PUC |
| 2010-11 | 20100409 | FRANCE | 73049000 | SECONDARY ALLOY STEEL SEAMLESS PIPES IN MIXED SIZES/MIXED THICKNESS & MIXED LEN | 21.00 | 76,305 | 16,02,407 | PUC |
| 2010-11 | 20100416 | U ARAB EMTS | 73049000 | SECONDARY SECOND CHOICE CARBON STEEL SEAMLESS PIPE | 21.00 | 24,461 | 5,13,690 | PUC |
| 2010-11 | 20100427 | ITALY | 73049000 | SECONDARY CARBON STEEL SEAMLESS PIPES (MIX LOT) | 21.00 | 19,345 | 4,06,236 | PUC |
| 2010-11 | 20100401 | SINGAPORE | 73049000 | SECONDARY SECOND CHOICE CARBON STEEL SEAMLESS / WELDED PIPES | 21.00 | 16,633 | 3,49,294 | PUC |
| 2010-11 | 20100415 | CHINA P RP | 73043939 | SEAMLESS STEEL TUBE GRADE SAE52100/GCR15 28.75X5 | 21.00 | 52,676 | 11,06,200 | PUC |
| 2010-11 | 20100424 | CHINA P RP | 73043911 | CARBON STEEL SEAMLESS PIPE (HOT FINISHED)63.50 X 5.60 X 4000 - 7000 | 21.00 | 36,788 | 7,72,541 | PUC |
| 2010-11 | 20100426 | CHINA P RP | 73043119 | SEAMLESS CARBON STEEL PIPE ASTM A-106/API 5L GR.B | 21.00 | 31,378 | 6,58,936 | PUC |
| 2010-11 | 20100407 | U S A | 73069090 | COLD DRAWN SEAMLESS TUBING SRA (SIZE: 253.9 MM OD, 214.66 MM ID) | 20.46 | 1,20,482 | 24,65,247 | PUC |
| 2010-11 | 20100415 | U S A | 73049000 | SECONDARY / DEFECTIVE M.S. PIPES | 20.00 | 19,909 | 3,98,189 | PUC |
| 2010-11 | 20100406 | CHINA P RP | 73043911 | SEAMLESS STEEL TUBE GRADE SAE52100/GCR15SIZE: 53.8 X 39.2 X 7.30 | 20.00 | 53,407 | 10,68,144 | PUC |
| 2010-11 | 20100407 | CHINA P RP | 73049000 | STEEL TUBES 19.7MMX14.5MM - 2.60MM | 19.84 | 1,03,275 | 20,48,563 | PUC |
| 2010-11 | 20100416 | ITALY | 73043139 | SEAMLESS COLD DRAWN TUBES FOR MECHANICAL APPLICATION (OD 255.00 X WT 17.50 MM) | 19.17 | 1,41,939 | 27,21,541 | PUC |
| 2010-11 | 20100406 | GERMANY | 73043911 | BOILER QUALITY SEAMLESS CARBON STEEL TUBES [TO SPEC SA210] | 19.00 | 59,344 | 11,27,534 | PUC |
| 2010-11 | 20100427 | U S A | 73049000 | SECONDARY/DEFECTIVE CARBON STEEL SEAMLESS PIPE | 19.00 | 28,700 | 5,45,292 | PUC |

**Import Data from DGCIS [All Countries PUC]
Apr 2009 to Jun 2012**

| Year | Date | Country | ITC-HS | Item-Des | Quantity (MT) | Price (Rs./MT) | Value (Rs) | PUC/ NPUC |
|---------|----------|-------------|----------|---|---------------|----------------|------------|--------------|
| 2010-11 | 20100430 | CHINA P RP | 73049000 | CARBON SEAMLESS STEEL PIPE AS PER API 5L/ASTMA 53/106 GR-B | 19.00 | 31,091 | 5,90,733 | PUC |
| 2010-11 | 20100420 | U S A | 73069090 | COLD DRAWN SEAMLESS TUBING SRA (273 OD X 239.5 ID) | 18.85 | 1,20,609 | 22,73,297 | PUC |
| 2010-11 | 20100415 | CHINA P RP | 73043919 | CARBON STEEL SEAMLESS TUBES ID 120XOD 99.6 | 18.36 | 57,375 | 10,53,519 | PUC |
| 2010-11 | 20100408 | GERMANY | 73041110 | SEAMLESS STEEL PIPES (RON 139,7 X 6,3) ST35.8I FOR VESSEL V.NO.381-382 & 386 | 17.79 | 84,390 | 15,01,213 | PUC |
| 2010-11 | 20100421 | CHINA P RP | 73041190 | SEAMLESS CARBON MILD STEEL PIPES ASME SA179, 6MM X 1MM X 6100MM | 17.00 | 65,747 | 11,17,707 | PUC |
| 2010-11 | 20100421 | JAPAN | 73049000 | SEAMLESS ALLOY STEEL TUBES JIS G3441 SCM415TK 32.80MM OD X 24.60MM ID X 5M | 16.98 | 1,16,272 | 19,74,639 | PUC |
| 2010-11 | 20100420 | JAPAN | 73049000 | ALLOY STEEL SEAMLESS STEEL TUBES O.D 51.55MMXW/TH 6.35MM | 16.34 | 1,63,112 | 26,65,656 | PUC |
| 2010-11 | 20100413 | CHINA P RP | 73045110 | COLD DRAWN READY TO HONE PRECISION TUBE (73X12.50MM) (73X48) | 15.86 | 40,057 | 6,35,226 | PUC |
| 2010-11 | 20100417 | CHINA P RP | 73043119 | SEAMLESS CARBON STEEL AND ALLOY STEEL PIPES.OD.219.10 X 28.58 X R/L OF 6-6.10 M | 15.45 | 46,071 | 7,11,705 | PUC |
| 2010-11 | 20100424 | JAPAN | 73041110 | C.R.ALLOY STEEL TUBE FOR BEARING SIZE : OD 64.70MMXWT 8.50MM | 15.00 | 95,184 | 14,27,760 | PUC |
| 2010-11 | 20100329 | CHINA P RP | 73043939 | HYDRAULIC CYLINDER HONED TUBE 93*80 (RTH) | 14.18 | 1,16,640 | 16,53,474 | PUC |
| 2010-11 | 20100401 | MALAYSIA | 73049000 | COLD DRAWN SEAMLESS TUBE ITEM NO.PGPC320 15.4(+/-0.05) X 11.0(+0.2/-0)MM GRADE | 13.92 | 2,31,962 | 32,29,609 | PUC |
| 2010-11 | 20100410 | ITALY | 73043911 | SEAMLESS STEEL TUBES (34 CRM04) SIZE: 140.00 MM X 4.50MM(ALLOY STEEL) | 13.76 | 1,09,241 | 15,03,050 | PUC |
| 2010-11 | 20100330 | CHINA P RP | 73043919 | CARBON STEEL SEAMLESS TUBES ASTM A 106 GR.B OD50.00MM X ID40.00MM | 13.64 | 40,338 | 5,50,006 | PUC |
| 2010-11 | 20100412 | KOREA RP | 73043139 | HYDRAULIC CYLINDER TUBE SIZE: 76X63MM | 13.22 | 1,01,525 | 13,41,912 | PUC |
| 2010-11 | 20100408 | U S A | 73042390 | 6-5/8 HW DRILL PIPES | 13.00 | 2,07,083 | 26,92,073 | PUC |
| 2010-11 | 20100417 | CHINA P RP | 73041990 | 2 7/8 6.5 J55 EUE 6FT PUP JOINT (CASING OF A KIND USED IN DRILLING FOR OIL OR | 13.00 | 2,08,256 | 27,07,330 | PUC |
| 2010-11 | 20100421 | U ARAB EMTS | 73042200 | 3-12 HEAVY WEIGHT DRILL PIPE - TANGE II 3-1/2 OD, 2-1/4 ID30 FT LONG, 4-3/4 | 12.00 | 2,14,583 | 25,74,990 | PUC |
| 2010-11 | 20100421 | JAPAN | 73045110 | COLD DRAWN SEAMLESS CARBON STEEL TUBES BYYP63510000 SPEC.NO.TSM-2906RO SAE1040 | 11.00 | 1,01,965 | 11,21,612 | PUC |
| 2010-11 | 20100413 | CHINA P RP | 73049000 | CARBON STEEL SEAMLESS MOTER PIPES [HOT FINISHED] - 234.95MM X 25.4MM X 8950 MM | 11.00 | 56,412 | 6,20,534 | PUC |
| 2010-11 | 20100406 | CHINA P RP | 73041190 | SEAMLESS STEEL TUBES ST 20.3 X 8.102 SCM 415H | 10.92 | 1,13,832 | 12,43,387 | PUC |
| 2010-11 | 20100422 | JAPAN | 73045910 | SUMITOMO SM-STR-80QC MAKE SEAMLESS HOT FINISHED STEEL PIPES & AVERAGE WALL THIC | 9.80 | 1,37,119 | 13,44,310 | PUC |
| 2010-11 | 20100426 | JAPAN | 73049000 | COLD DRAWN SEAMLESS PIN STEEL TUBE SCM415H 19.35 X 8MM | 9.06 | 2,34,553 | 21,24,115 | PUC |
| 2010-11 | 20100330 | NETHERLAND | 73049000 | SEAMLESS STEEL TUBE,DIN-2391 | 9.00 | 1,12,407 | 10,11,667 | PUC |
| 2010-11 | 20100421 | CHINA P RP | 73045910 | ALLOY STEEL SEAMLESS PIPES, GRADE P5 (EX-STOCK LOT) | 9.00 | 32,093 | 2,88,833 | PUC |
| 2010-11 | 20100415 | CHINA P RP | 73049000 | SECONDARY CARBON STEEL PIPE THICKNESS MIXED LOT. | 9.00 | 17,311 | 1,55,797 | PUC |
| 2010-11 | 20100419 | CHINA P RP | 73043119 | SEAMLESS CABRON STEEL TUBE GRADE SAE 52100/GCR 15 | 8.80 | 49,618 | 4,36,439 | PUC |
| 2010-11 | 20100426 | JAPAN | 73049000 | COLD DRAWN SEAMLESS PIN STEEL TUBE SCM415H 20.30 X 13MM | 8.70 | 2,22,425 | 19,35,316 | PUC |
| 2010-11 | 20100413 | CHINA P RP | 73045120 | COLD DRAWN READY TO HONE PRECISION TUBE (125X140MM) | 8.36 | 59,689 | 4,98,992 | PUC |
| 2010-11 | 20100407 | ARGENTINA | 73041110 | STEEL TUBE 6MM X 5.8 MTR (SPARES FOR CNG KITS) | 6.90 | 1,26,917 | 8,75,726 | PUC |
| 2010-11 | 20100424 | ITALY | 73043129 | CDS STEEL TUBES 200 MM ID X 225 MM OD | 6.88 | 87,356 | 6,01,065 | PUC |
| 2010-11 | 20100417 | CHINA P RP | 73045930 | CARBON AND ALLOY STEEL PIPES SA106C 219.10 MM X 48.00 MM | 6.08 | 93,843 | 5,70,408 | PUC |
| 2010-11 | 20100422 | JAPAN | 73049000 | COLD DRAWN SEAMLESS STEEL TUBE (FOR PISTON PIN) GRADE SCM-415H (JIS) (O.D. 13 | 6.00 | 2,50,997 | 15,04,978 | PUC |
| 2010-11 | 20100330 | CHINA P RP | 73043919 | CARBON STEEL SEAMLESS TUBES ASTM A 106 GR.B OD76.00MM X ID63.00MM | 5.76 | 50,382 | 2,90,403 | PUC |
| 2010-11 | 20100422 | JAPAN | 73045920 | SUMITOMO SM-STR-80QC MAKE SEAMLESS HOT FINISHED STEEL PIPES & AVERAGE WALL THIC | 5.75 | 1,37,173 | 7,88,468 | PUC |
| 2010-11 | 20100413 | JAPAN | 73049000 | COLD DRAWN SEAMLESS TUBE ITEM O RGPS030 O.D.19.40MM X I.D.11.50MM | 5.55 | 2,67,655 | 14,86,558 | PUC |
| 2010-11 | 20100310 | JAPAN | 73049000 | 38.0 X 1.6 X 3500-4000 STEEL TUBE FOR FUEL PUMP | 5.45 | 1,99,512 | 10,86,342 | PUC |
| 2010-11 | 20100415 | THAILAND | 73049000 | 38.0 X 1.6 X 3500-4000 (972 PCS) STEEL TUBE FOR FUEL PUMP | 5.45 | 1,93,513 | 10,53,676 | PUC |
| 2010-11 | 20100423 | SINGAPORE | 73041910 | SECONDARY STEEL PIPES | 5.00 | 20,791 | 1,03,954 | PUC |
| 2010-11 | 20100405 | CHINA P RP | 73043119 | SEAMLESS STEEL TUBE (DIN 2391 ST52-3NBK) (50X39X5060L) | 5.00 | 49,685 | 2,48,426 | PUC |
| 2010-11 | 20100413 | CHINA P RP | 73042200 | HOLLOW BAR/ BAR STOCK RELEVANT DIA (6-1/4 OD) | 4.70 | 2,03,132 | 9,54,720 | PUC |

**Import Data from DGCIS [All Countries PUC]
Apr 2009 to Jun 2012**

| Year | Date | Country | ITC-HS | Item-Des | Quantity (MT) | Price (Rs./MT) | Value (Rs) | PUC/ NPUC |
|---------|----------|----------------|----------|---|---------------|----------------|------------|--------------|
| 2010-11 | 20100406 | CHINA P RP | 73041910 | SEAMLESS STEEL TUBE GRADE:SAE52100/GCR15 (SIZE:30.80X24.50X3.15 MM) | 4.58 | 48,459 | 2,21,941 | PUC |
| 2010-11 | 20100401 | CHINA P RP | 73049000 | IP & LP STEAM WATER PIPE IN THERMAL SYSTEM #3 | 4.57 | 97,883 | 4,47,519 | PUC |
| 2010-11 | 20100416 | ITALY | 73043129 | SEAMLESS COLD DRAWN TUBES FOR MECHANICAL APPLICATION (OD 146.00 X ID 107.90 MM) | 4.53 | 1,26,133 | 5,71,927 | PUC |
| 2010-11 | 20100405 | GERMANY | 73042390 | CASING 114.3X8X10 | 4.45 | 58,251 | 2,59,448 | PUC |
| 2010-11 | 20100330 | CHINA P RP | 73043919 | CARBON STEEL SEAMLESS TUBES ASTM 106 GR.B OD60.00MM X ID50.00MM | 4.28 | 50,384 | 2,15,795 | PUC |
| 2010-11 | 20100420 | ARGENTINA | 73043939 | SEAMLESS STEEL TUBES(GRADE DS 202) SIZE O.D.267.00MMXWT 6.00 MM (ALLOY STEEL) | 4.15 | 53,722 | 2,23,106 | PUC |
| 2010-11 | 20100413 | CZECH REPUBLIC | 73045910 | SEAMLESS STEEL PIPES SIZE:558.80X28.58MM REFRENCE: 823728 | 4.00 | 1,47,863 | 5,91,452 | PUC |
| 2010-11 | 20100429 | KOREA RP | 73041910 | JSW/VJNR/R/F/120/78425 - SPARES FOR COREX - SEAMLESS PIPE OD193.7MM X 8MM THK X | 3.60 | 2,02,128 | 7,27,660 | PUC |
| 2010-11 | 20100424 | U K | 73041110 | STEEL TUBES TUBE CARBON STEEL-ERMETO SIZE R28X2.5MM | 3.50 | 2,01,077 | 7,03,768 | PUC |
| 2010-11 | 20100423 | JAPAN | 73042390 | EXTENSION ROD SIZE R32X3.1 MTR | 3.30 | 36,179 | 1,19,392 | PUC |
| 2010-11 | 20100327 | JAPAN | 73049000 | COLD DRAWN SEAMLESS STEEL TUBE (FOR PISTON PIN) GRADESCM-415H (JIS G 4052) (O. | 3.09 | 2,89,149 | 8,92,314 | PUC |
| 2010-11 | 20100329 | KOREA RP | 73043119 | IRON HONED TUBE ST52 OD 82MM ID 70MM LENGTH 815MM (UNBRANDED) | 3.00 | 75,635 | 2,26,904 | PUC |
| 2010-11 | 20100409 | CHINA P RP | 73043119 | SEAMLESS CARBON STEEL AND ALLOY STEEL PIPES.OD 168.3X28.58XR/L OF 6-6.10MTR.GRA | 2.96 | 39,014 | 1,15,300 | PUC |
| 2010-11 | 20100421 | CHINA P RP | 73043119 | SEAMLESS CARBON AND ALLOY STEEL PIPES.OD 114.3 X 17.12 XR/L OF 6 -6,10 MTR,GRAD | 2.46 | 39,017 | 96,086 | PUC |
| 2010-11 | 20100401 | U S A | 73049000 | SA312 GR316H SEAMLESS PIPE 1-1/2 NB X SCH 160 8 -6 LONG-6 PCS | 2.20 | 1,18,572 | 2,60,858 | PUC |
| 2010-11 | 20100416 | JAPAN | 73049000 | SECONDARY DEFECTIVE M.S.PIPES OF MIX SIZES | 2.00 | 24,098 | 48,195 | PUC |
| 2010-11 | 20100412 | CHINA P RP | 73043119 | SPHERODIZED ANNEALED SAE52100 SEAMLESS COLD DRAWN TUBES OD.WALL THICKESNN 30. | 2.00 | 84,080 | 1,68,159 | PUC |
| 2010-11 | 20100330 | MALAYSIA | 73043919 | CARBON STEEL SEAMLESS TUBES TO ASTM A179(FULLY KILLED STEEL) OD 20.00MM X 2.00 | 1.59 | 45,237 | 71,836 | PUC |
| 2010-11 | 20100416 | GERMANY | 73049000 | SEAMLESS PIPE IN QUALITY S355J2H 273 X 45 X 5.110 MM | 1.27 | 1,90,674 | 2,41,312 | PUC |
| 2010-11 | 20100408 | OMAN | 73049000 | SECONDARY DEFECTIVE CARBON STEEL SEAMLESS PIPE | 1.00 | 23,672 | 23,672 | PUC |
| 2010-11 | 20100416 | U S A | 73049000 | SECONDARY SECOND CHOICE CARBON STEEL SEAMLESS/WELDED PIPES | 1.00 | 16,553 | 16,553 | PUC |
| 2010-11 | 20100412 | SAUDI ARAB | 73049000 | SECONDARY SECOND CARBON STEEL SEAMLESS/WELDED PIPES MIXED THICKNESS MIXED LOT. | 1.00 | 16,246 | 16,246 | PUC |
| 2010-11 | 20100412 | SAUDI ARAB | 73049000 | SECONDARY SECOND CARBON STEEL SEAMLESS/WELDED PIPES MIXED THICKNESS MIXED LOT. | 1.00 | 16,246 | 16,246 | PUC |
| 2010-11 | 20100406 | CHINA P RP | 73049000 | CARBON STEEL SEAMLESS PIPES AS PER ASTM A 106 GRADE B/API 5L GRADE B. | 1.00 | 50,171 | 50,171 | PUC |
| 2010-11 | 20100426 | CHINA P RP | 73043119 | CARBON SEAMLESS STEEL PIPE API 5L/ASTM A106 GR.B | 1.00 | 36,876 | 36,876 | PUC |
| 2010-11 | 20100417 | SINGAPORE | 73041910 | RAW-PIPE, SEAMLESS, 2.500 NOM DIA, SCH 80, 2.875 OD, 0.276 WALL, MATERIAL PER A | 0.60 | 1,86,840 | 1,12,104 | PUC |
| 2010-11 | 20100409 | U S A | 73049000 | SECONDARY/DEFECTIVE CARBON STEEL SEAMLESS PIPE | 0.60 | 18,373 | 11,024 | PUC |
| 2010-11 | 20100416 | OMAN | 73049000 | SECONDARY DEFECTIVE CARBON STEEL SEAMLESS PIPE | 0.58 | 20,007 | 11,604 | PUC |
| 2010-11 | 20100426 | SINGAPORE | 73049000 | CARBON STEEL SEAMLESS PIPES SECONDARY/STOCK/SURPLUS | 0.44 | 29,998 | 13,229 | PUC |
| 2010-11 | 20100423 | ITALY | 73043121 | COLD DRAWN SMLS CYLINDER TUBES E355+SR EN 10305/1 INSIDE H6MM150 X 12.5 | 0.34 | 1,82,278 | 61,831 | PUC |
| 2010-11 | 20100416 | U ARAB EMTS | 73049000 | SECONDARY SECOND CHOICE CARBON STEEL SEAMLESS PIPE MIXED LOT | 0.25 | 18,936 | 4,734 | PUC |
| 2010-11 | 20100421 | U S A | 73049000 | SECONDARY SECOND CHOICE CARBON STEEL SEAMLESS/WELDED PIPES | 0.23 | 19,932 | 4,664 | PUC |
| 2010-11 | 20100409 | CHINA P RP | 73049000 | SEAMLESS CARBON STEEL PIPE API 5LB /ASTM A106B | 0.23 | 60,047 | 13,931 | PUC |
| 2010-11 | 20100416 | U ARAB EMTS | 73049000 | SECONDARY SECOND CHOICE CARBON STEEL SEAMLESS PIPE MIXED LOT | 0.20 | 17,755 | 3,551 | PUC |
| 2010-11 | 20100421 | BELGIUM | 73049000 | M.S. SEAMLESS PIPES SECONDARY SECOND CHOICE MIX | 0.17 | 19,754 | 3,378 | PUC |
| 2010-11 | 20100421 | U ARAB EMTS | 73049000 | SECONDARY SECOND CHOICE CARBON STEEL SEAMLESS/WELDED PIPES | 0.17 | 17,200 | 2,924 | PUC |
| 2010-11 | 20100421 | U ARAB EMTS | 73049000 | SECONDARY SECOND CHOICE CARBON STEEL SEAMLESS PIPE, MIXED LOT | 0.15 | 15,780 | 2,367 | PUC |
| 2010-11 | 20100421 | U ARAB EMTS | 73049000 | SECONDARY SECOND CHOICE CARBON STEEL SEAMLESS PIPE, MIXED LOT | 0.12 | 19,725 | 2,367 | PUC |
| 2010-11 | 20100416 | U ARAB EMTS | 73049000 | SECONDARY SECOND CHOICE CARBON STEEL SEAMLESS PIPE | 0.11 | 22,543 | 2,367 | PUC |
| 2010-11 | 20100412 | AUSTRIA | 73043119 | SEAMLESS COLD WELDED PRECISION STEEL PIPE EN10305-4, 28 X 1.5 | 0.10 | 2,02,620 | 20,267 | PUC |
| 2010-11 | 20100415 | ITALY | 73041110 | CS SEAMLESS PIPES A106 B GENERAL SIZE: 10 | 0.10 | 2,19,680 | 21,968 | PUC |

**Import Data from DGCIS [All Countries PUC]
Apr 2009 to Jun 2012**

| Year | Date | Country | ITC-HS | Item-Des | Quantity (MT) | Price (Rs./MT) | Value (Rs) | PUC/ NPUC |
|---------|----------|-------------|----------|---|---------------|----------------|--------------|--------------|
| 2010-11 | 20100419 | BELGIUM | 73042910 | C.S. SEAMLESS PIPES B 36.10 ASTM A106 GR B PE NACE 1.50 INCH X XS | 0.10 | 1,33,350 | 13,335 | PUC |
| 2010-11 | 20100407 | U ARAB EMTS | 73049000 | SECONDARY SECOND CHOICE CARBON STEEL SEAMLESS / WELDED PIPES | 0.10 | 20,420 | 2,042 | PUC |
| 2010-11 | 20100416 | U ARAB EMTS | 73049000 | SECONDARY SECOND CHOICE CARBON STEEL SEAMLESS PIPE MIXED LOT | 0.10 | 16,570 | 1,657 | PUC |
| 2010-11 | 20100420 | U S A | 73049000 | SECONDARY/DEFECTIVE CARBON STEEL SEAMLESS PIPE | 0.10 | 16,430 | 1,643 | PUC |
| 2010-11 | 20100430 | CHINA P RP | 73049000 | CARBON SEAMLESS STEEL PIPE AS PER API 5L/ASTMA 53/106 GR-B | 0.10 | 1,79,040 | 17,904 | PUC |
| 2010-11 | 20100424 | CHINA P RP | 73049000 | PRIME CARBON STEEL SEAMLESS PIPES TO ASTM A 106 GR.B | 0.10 | 1,42,520 | 14,252 | PUC |
| 2010-11 | 20100416 | CHINA P RP | 73049000 | CARBON STEEL SEAMLESS PIPE FITTING (EX-STOCK) | 0.10 | 45,900 | 4,590 | PUC |
| 2010-11 | 20100421 | CHINA P RP | 73049000 | CARBON STEEL SEAMLESS PIPE ASTM A106 GR. B/API 5L GR. B (ASPER INVOICE) | 0.10 | 28,460 | 2,846 | PUC |
| 2010-11 | 20100412 | AUSTRIA | 73043939 | SEAMLESS PIPE 90 X 3.5 ST.37.4NBK | 0.09 | 1,64,461 | 14,740 | PUC |
| 2010-11 | 20100421 | KOREA RP | 73069090 | SEAMLESS TUBE (1/4 O.DXO.035 THK.1PC:6ME) | 0.09 | 3,36,413 | 29,010 | PUC |
| 2010-11 | 20100427 | JAPAN | 73049000 | SECONDARY DEFECTIVE CARBON STEEL SEAMLESS PIPES | 0.07 | 21,389 | 1,540 | PUC |
| 2010-11 | 20100426 | U S A | 73049000 | SECONDARY SECOND CHOICE CARBON STEEL SEAMLESS/WELDED PIPES | 0.07 | 19,200 | 1,344 | PUC |
| 2010-11 | 20100422 | U ARAB EMTS | 73049000 | SECONDARY SECOND CHOICE CARBON STEEL SEAMLESS PIPE MIXED LOT | 0.06 | 19,733 | 1,184 | PUC |
| 2010-11 | 20100422 | U ARAB EMTS | 73049000 | SECONDARY SECOND CHOICE CARBON STEEL SEAMLESS PIPE, MIXED LOT | 0.06 | 19,733 | 1,184 | PUC |
| 2010-11 | 20100422 | U ARAB EMTS | 73049000 | SECONDARY SECOND CHOICE CARBON STEEL SEAMLESS PIPE, MIXED LOT | 0.06 | 19,733 | 1,184 | PUC |
| 2010-11 | 20100422 | U ARAB EMTS | 73049000 | SECONDARY SECOND CHOICE CARBON STEEL SEAMLESS PIPE, MIXED LOT | 0.06 | 19,733 | 1,184 | PUC |
| 2010-11 | 20100426 | U ARAB EMTS | 73049000 | SECONDARY CARBON STEEL SEAMLESS & WELDED PIPES MIX LOT | 0.06 | 18,367 | 1,102 | PUC |
| 2010-11 | 20100419 | BELGIUM | 73041110 | SEAMLESS PIPES B-36 10 ASTM A333 GR 6 PE LT 0.75 INCH S160 | 0.05 | 2,33,320 | 11,666 | PUC |
| 2010-11 | 20100427 | U S A | 73049000 | SECONDARY/DEFECTIVE CARBON STEEL SEAMLESS PIPE | 0.04 | 20,829 | 854 | PUC |
| 2010-11 | 20100427 | U S A | 73049000 | SECONDARY/DEFECTIVE CARBON STEEL SEAMLESS PIPE | 0.04 | 20,650 | 826 | PUC |
| 2010-11 | 20100426 | BELGIUM | 73049000 | M.S. SEAMLESS PIPES SECONDARY SECOND CHOICE MIX | 0.03 | 21,161 | 656 | PUC |
| 2010-11 | 20100416 | U ARAB EMTS | 73049000 | SECONDARY CARBON STEEL SEAMLESS & WELDED PIPES MIX LOT | 0.03 | 18,367 | 551 | PUC |
| 2010-11 | 20100401 | U S A | 73049000 | SECONDARY/DEFECTIVE CARBON STEEL SEAMLESS PIPE | 0.03 | 19,357 | 542 | PUC |
| 2010-11 | 20100424 | GERMANY | 73049000 | SECONDARY DEFECTIVE CARBON STEEL SEAMLESS PIPE | 0.03 | 19,200 | 480 | PUC |
| 2010-11 | 20100426 | U S A | 73049000 | SECONDARY SECOND CHOICE CARBON STEEL SEAMLESS/WELDED PIPES | 0.02 | 21,417 | 514 | PUC |
| 2010-11 | 20100426 | U ARAB EMTS | 73049000 | SECONDARY SECOND CHOICE CARBON STEEL SEAMLESS/WELDED PIPES | 0.02 | 22,136 | 487 | PUC |
| 2010-11 | 20100401 | SINGAPORE | 73049000 | SECONDARY SECOND CHOICE CARBON STEEL SEAMLESS / WELDED PIPES | 0.02 | 40,200 | 804 | PUC |
| 2010-11 | 20100401 | CHINA P RP | 73049000 | CARBON STEEL SEAMLESS PIPE ASTM A106/A53/AP15L GR.B | 0.01 | 1,15,857 | 1,622 | PUC |
| 2010-11 | 20100405 | CHINA P RP | 73049000 | CARBON SEAMLESS STEEL PIPE API 5LB/ASTM A106 B | 0.01 | 1,19,500 | 1,195 | PUC |
| 2010-11 | 20100401 | SINGAPORE | 73049000 | CARBON STEEL SEAMLESS PIPES STOCK LOT | 0.01 | 1,32,125 | 1,057 | PUC |
| 2010-11 | 20100421 | CHINA P RP | 73045910 | ALLOY STEEL SEAMLESS PIPES, GRADE P5 (EX-STOCK LOT) | 0.004 | 1,12,000 | 448 | PUC |
| 2010-11 | 20100312 | CHINA P RP | 73043119 | SEAMLESS STEEL TUBE ASTM A106 GRADE 'B' 50 X 6 X 5000-5800MM | 0.001 | 40,000 | 40 | PUC |
| 2010-11 | 20100506 | CHINA P RP | 73063090 | SEAMLESS STEEL CASING PIPES DIMENSION (5.1/2 X 20 PPF) USED IN OILWELL | 2,215.84 | 38,967 | 8,63,44,880 | PUC |
| 2010-11 | 20100511 | SINGAPORE | 73049000 | OIL WELL EQUIPMENT : 3 1/2 OD X 2 1/16 NC 38 (3 1/2 IF) TOOL JOINT END CONNEC | 2,181.93 | 48,633 | 10,61,14,414 | PUC |
| 2010-11 | 20100517 | CHINA P RP | 73043911 | SEAMLESS STEEL TUBES (GRADE 34CRM04) SIZE: 267 X 6 X 1860MM UPTO 11600MM | 1,019.00 | 44,952 | 4,58,06,440 | PUC |
| 2010-11 | 20100528 | ROMANIA | 73041910 | SEAMLESS CARBON STEEL LINE PIPES (STOCK SURPLUS) | 871.00 | 26,271 | 2,28,82,272 | PUC |
| 2010-11 | 20100510 | ITALY | 73041910 | PROCESS PIPE SMLS STEEL PIPES | 820.52 | 69,196 | 5,67,77,224 | PUC |
| 2010-11 | 20100524 | CHINA P RP | 73041190 | CARBON STEEL SEAMLESS PIPES AS PER ASTM A106 GR.B/API 5L GRB (SIZE: 51MM X 11MM | 734.00 | 36,972 | 2,71,37,674 | PUC |
| 2010-11 | 20100529 | CHINA P RP | 73043119 | SEAMLESS CARBON & ALLOY STEEL TUBES.OD51.00X5.60XR/L OF 10-12 MTR GRADE SA 210 | 571.72 | 33,833 | 1,93,42,963 | PUC |
| 2010-11 | 20100531 | CHINA P RP | 73043911 | SEAMLESS STEEL TUBES (GRADE 34CRM04) SIZE:267MM X 6 MM MULTIPLE LENGTH OF 1860 | 548.00 | 44,964 | 2,46,40,042 | PUC |
| 2010-11 | 20100525 | CHINA P RP | 73043911 | SEAMLESS STEEL TUBES (GRADE 37 MN) SIZE: 232 (MM) X 5.7 (MM) MULTIPLE LENGTH O | 540.00 | 40,451 | 2,18,43,292 | PUC |

**Import Data from DGCIS [All Countries PUC]
Apr 2009 to Jun 2012**

| Year | Date | Country | ITC-HS | Item-Des | Quantity (MT) | Price (Rs./MT) | Value (Rs) | PUC/ NPUC |
|---------|----------|-------------|----------|---|---------------|----------------|-------------|--------------|
| 2010-11 | 20100507 | CHINA P RP | 73042990 | HOT ROLLED SEAMLESS STEEL (CMN) TUBE | 489.00 | 49,602 | 2,42,55,580 | PUC |
| 2010-11 | 20100506 | CHINA P RP | 98010013 | SEAMLESS CARBON STEEL PIPES-TO SPEC.SA.106 GR.C S37/33/09 CIF RS 17795538 | 466.00 | 38,188 | 1,77,95,538 | PUC |
| 2010-11 | 20100513 | CHINA P RP | 73043911 | CARBON STEEL SEAMLESS PIPE (HOT FINISHED)48.3 X 5.08 X 5000-7000MM | 409.00 | 41,451 | 1,69,53,280 | PUC |
| 2010-11 | 20100506 | SWEDEN | 73049000 | SECONDARY / DEFECTIVE MILD STEEL SEMLESS PIPE | 325.00 | 14,601 | 47,45,481 | PUC |
| 2010-11 | 20100518 | CHINA P RP | 73041990 | SEAMLESS LINE PIPE API 5L GRADE B ASTM A106 / ASTM A53(SIZE OD X WT (MM)33.4X4. | 321.00 | 36,405 | 1,16,85,927 | PUC |
| 2010-11 | 20100525 | ITALY | 73069090 | SEAMLESS COLD DRAWN TUBES (203.00 X 170.00 X ****MM) (ID 170 X OD 203) | 299.34 | 21,843 | 65,38,507 | PUC |
| 2010-11 | 20100524 | CHINA P RP | 73049000 | PRIME CARBON STEEL SEAMLESS PIPES GRADE : ASTM A 106 GR.B / API5L GR.B (SIZE OD | 297.00 | 35,184 | 1,04,49,687 | PUC |
| 2010-11 | 20100520 | BELGIUM | 73049000 | SECONDARY CARBON SEAMLESS PIPE | 293.00 | 19,317 | 56,59,862 | PUC |
| 2010-11 | 20100531 | CHINA P RP | 73049000 | CARBON STEEL SEAMLESS PIPES ASTM A106 GR.B/API 5L GR.B | 269.17 | 27,883 | 75,05,101 | PUC |
| 2010-11 | 20100524 | FRANCE | 73049000 | SECONDARY CARBON STEEL SEAMLESS PIPES MIX SIZES | 269.00 | 22,192 | 59,69,646 | PUC |
| 2010-11 | 20100531 | CHINA P RP | 73049000 | CARBON STEEL SEAMLESS PIPE | 267.00 | 35,285 | 94,21,090 | PUC |
| 2010-11 | 20100505 | BELGIUM | 73049000 | SECONDARY CARBON SEAMLESS PIPE | 250.00 | 17,591 | 43,97,819 | PUC |
| 2010-11 | 20100531 | CHINA P RP | 73069090 | SECONDARY CARBON STEEL SEAMLESS PIPES AP15L/ASTM A 106 GR B | 247.00 | 20,281 | 50,09,385 | PUC |
| 2010-11 | 20100511 | CHINA P RP | 73049000 | PRIME CARBON STEEL SEAMLESS PIPES GRADE : A106 GR.B / API5L GR.B | 236.12 | 34,393 | 81,20,977 | PUC |
| 2010-11 | 20100510 | CHINA P RP | 73049000 | CARBON STEEL SEAMLESS PIPE ASTM A106 GR. B/API 5L GR.B | 236.00 | 27,979 | 66,03,089 | PUC |
| 2010-11 | 20100511 | CHINA P RP | 73043919 | CARBON STEEL SEAMLESS MOTHER HOT FINISHED PIPES SIZE 10 INCHE NB X SCH 40 | 224.00 | 35,006 | 78,41,394 | PUC |
| 2010-11 | 20100526 | CHINA P RP | 73043119 | SEAMLESS CARBON STEEL AND ALLOY STEEL TUBES.OD 63.50 X 4.00 X R/L OF 10-12 MTR. | 209.19 | 56,521 | 1,18,23,549 | PUC |
| 2010-11 | 20100501 | CHINA P RP | 73043911 | SEAMLESS STEEL TUBE | 208.40 | 54,005 | 1,12,54,615 | PUC |
| 2010-11 | 20100503 | U S A | 73042390 | 5-1/2 DRILL PIPE, 31? LONG SR. NOS. AS PER ATTACHED ANNEXURE I (USED) | 200.88 | 1,13,295 | 2,27,58,606 | PUC |
| 2010-11 | 20100529 | ARGENTINA | 73043911 | SEAMLESS STEEL TUBES (JIS G3429 DS 202) SIZE: OD. 267,00 MM WT: 6,00MM (HOT ROL | 200.00 | 52,792 | 1,05,58,418 | PUC |
| 2010-11 | 20100515 | CHINA P RP | 73041910 | SEAMLESS STEEL TUBES PIPE 273MMX30MM | 199.00 | 37,647 | 74,91,749 | PUC |
| 2010-11 | 20100519 | CHINA P RP | 73043919 | CARBON STEEL SEAMLESS PIPES TO ASTM A 106 GR B (FULLY KILLED STEEL)33.40MM O | 198.00 | 37,695 | 74,63,619 | PUC |
| 2010-11 | 20100507 | CHINA P RP | 73041910 | SEAMLESS CARBON STEELPIPE (AS PERINVOICE) | 192.00 | 31,430 | 60,34,560 | PUC |
| 2010-11 | 20100517 | U ARAB EMTS | 73043911 | CARBON STEEL SEAMLESS SECONDARY PIPE | 188.00 | 20,243 | 38,05,734 | PUC |
| 2010-11 | 20100528 | ARGENTINA | 73043911 | SEAMLESS STEEL TUBES (JIS G3429 DS 202) SIZE: O.D. 267.00 MM WT. 6.00MM (HOT RO | 184.15 | 52,615 | 96,88,928 | PUC |
| 2010-11 | 20100506 | U ARAB EMTS | 73069090 | SECONDARY DEFECTIVE UNUSED PARTIALY RUSTED PIPES OF VARIOUS SIZES & LENGTHS | 179.00 | 22,503 | 40,28,003 | PUC |
| 2010-11 | 20100514 | CONGO P REP | 73041990 | SECONDAERY CARBON M.S. STEEL SEAMLESS PIPES | 179.00 | 20,678 | 37,01,446 | PUC |
| 2010-11 | 20100518 | CHINA P RP | 73043119 | SEAMLESS CARBON STEEL AND ALLOY STEEL TUBES.OD 38.10 X 8.00 X R/L OF 10-12 MTR | 176.80 | 72,323 | 1,27,86,827 | PUC |
| 2010-11 | 20100520 | CHINA P RP | 73045110 | BEARING QUALITY STEEL TUBE SAE-52100 SIZE:72.28X60.20MM | 164.72 | 54,143 | 89,18,222 | PUC |
| 2010-11 | 20100518 | CHINA P RP | 73045110 | BEARING QUALITY STEEL TUBE SAE-52100 JPU 51-15 OR 51.25 X 35.61 MM | 164.25 | 53,743 | 88,27,390 | PUC |
| 2010-11 | 20100528 | CHINA P RP | 73043119 | 38.1 OD X 4.5 WT X 8750 LG / SEAMLESS TUBES | 157.74 | 40,715 | 64,22,301 | PUC |
| 2010-11 | 20100520 | CHINA P RP | 73049000 | CARBON STEEL SEAMLESS PIPES ASTM A 106 GR.B | 154.00 | 36,342 | 55,96,688 | PUC |
| 2010-11 | 20100528 | CHINA P RP | 73041990 | DESIGN AND SUPPLY OF EQUIPMENT FOR 1200MW AT MAHAN THERMAL POWER PLANT HOT | 152.00 | 70,590 | 1,07,29,669 | PUC |
| 2010-11 | 20100527 | CHINA P RP | 73049000 | CARBON STEEL SEAMLESS PIPE (EX -STOCK) | 148.00 | 24,822 | 36,73,628 | PUC |
| 2010-11 | 20100529 | CHINA P RP | 73045110 | BEARING QUALITY STEEL TUBE SAE-52100 SIZE 40.70X29.75MM | 145.93 | 55,150 | 80,47,915 | PUC |
| 2010-11 | 20100528 | CHINA P RP | 73043119 | CARBON STEEL SEAMLESS PIPES (168.3X18.26X5800MM) | 138.00 | 27,600 | 38,08,750 | PUC |
| 2010-11 | 20100518 | CHINA P RP | 73049000 | CARBON SEAMLESS STEEL PIPE ASTM A106/A53/API5L GR.B OF MIXED SIZES | 136.00 | 32,484 | 44,17,778 | PUC |
| 2010-11 | 20100525 | CHINA P RP | 73045920 | SEAMLESS STEEL PIPES FOR CYLINDERS (OD-139.7 MM WT 4.5MM L-5480 MM) | 133.00 | 43,703 | 58,12,556 | PUC |
| 2010-11 | 20100506 | SAUDI ARAB | 73049000 | SECONDARY SECOND CABRON STEEL SEAMLESS/WELDED PIPES,MIXED THICKNESS MIXED LOT | 132.00 | 15,926 | 21,02,166 | PUC |
| 2010-11 | 20100505 | SAUDI ARAB | 73049000 | SECONDARY SECOND CARBON STEEL SEAMLESS/WELDED PIPES,MIXED THICKNESS MIXED LOT | 132.00 | 15,924 | 21,02,008 | PUC |
| 2010-11 | 20100505 | SAUDI ARAB | 73049000 | SECONDARY SECOND CARBON STEEL SEAMLESS/WELDED PIPES,MIXED THICKNESS MIXED LOT | 132.00 | 15,922 | 21,01,690 | PUC |

**Import Data from DGCIS [All Countries PUC]
Apr 2009 to Jun 2012**

| Year | Date | Country | ITC-HS | Item-Des | Quantity (MT) | Price (Rs./MT) | Value (Rs) | PUC/ NPUC |
|---------|----------|-------------|----------|---|---------------|----------------|-------------|--------------|
| 2010-11 | 20100529 | U ARAB EMTS | 73043911 | CARBON STEEL SECONDARY SEAMLESS PIPE | 130.00 | 20,241 | 26,31,303 | PUC |
| 2010-11 | 20100526 | CHINA P RP | 73045110 | 48.30MM X 3.60MM X 7000MM / SEAMLESS TUBES | 128.31 | 70,236 | 90,12,364 | PUC |
| 2010-11 | 20100529 | U ARAB EMTS | 73043911 | CARBON STEEL SECONDARY SEAMLESS PIPE | 126.00 | 20,385 | 25,68,556 | PUC |
| 2010-11 | 20100528 | CHINA P RP | 73045110 | BEARING QUALITY STEEL TUBE SAE-52100 AND SUJ-3 SIZE:80.9X5.65MM | 126.00 | 65,191 | 82,14,120 | PUC |
| 2010-11 | 20100531 | U ARAB EMTS | 73049000 | CARBON STEEL SEAMLESS PIPES (M.S) SECONDARY/DEFECTIVE VARIOUS SIZE | 124.00 | 20,280 | 25,14,714 | PUC |
| 2010-11 | 20100504 | CHINA P RP | 73049000 | PRIME CARBON STEEL SEAMLESS PIPES GRADE : ASTM A106 GR.B/API 5L GR.B (SIZE: OD | 124.00 | 34,637 | 42,95,012 | PUC |
| 2010-11 | 20100505 | CHINA P RP | 73042990 | NON ALLOY STEEL SEAMLESS PIPES API 5L GRADE B 219.10MMX10.31MM | 123.00 | 39,926 | 49,10,887 | PUC |
| 2010-11 | 20100519 | CHINA P RP | 73045110 | BEARING QUALITY STEEL TUBE SAE-52100, 6307 OR ,80.30 X 67.27 MM | 122.61 | 53,218 | 65,25,233 | PUC |
| 2010-11 | 20100524 | CHINA P RP | 73049000 | PRIME CARBON STEEL SEAMLESS PIPES TO ASTM A106 GR.B | 120.00 | 28,243 | 33,89,133 | PUC |
| 2010-11 | 20100524 | CHINA P RP | 73043119 | COLD DRAWN SEAMLESS STEEL TUBES AS PER DIN STD 2391 50 MM OD X 38 MM ID | 117.00 | 45,395 | 53,11,208 | PUC |
| 2010-11 | 20100520 | CHINA P RP | 73045110 | BEARING QUALITY STEEL TUBE SAE-52100 AND SUJ-3 SIZE 52.6 X 5.55 MM | 115.00 | 67,596 | 77,73,503 | PUC |
| 2010-11 | 20100507 | BELGIUM | 73049000 | CARBON STEEL SECONDARY PIPES | 114.00 | 16,943 | 19,31,530 | PUC |
| 2010-11 | 20100521 | CHINA P RP | 73045930 | ASME SA210 GR.A1 38.1 OD X 4.0 WT X 8200 LG / SEAMLESS TUBE | 112.88 | 44,433 | 50,15,727 | PUC |
| 2010-11 | 20100531 | CONGO P REP | 73041990 | SECONDAERY CARBON M.S. STEEL SEAMLESS PIPES | 111.00 | 20,628 | 22,89,703 | PUC |
| 2010-11 | 20100511 | JAPAN | 73049000 | SECONDARY DEFECTIVE M.S.PIPES OF MIX SIZES | 110.00 | 20,538 | 22,59,200 | PUC |
| 2010-11 | 20100531 | CHINA P RP | 73049000 | CARBON STEEL SEAMLESS PIPE ASTM A 106 GR B / A 53 GR B / API 5L GR B SIZE 323. | 110.00 | 37,684 | 41,45,232 | PUC |
| 2010-11 | 20100529 | U ARAB EMTS | 73043911 | CARBON STEEL SECONDARY SEAMLESS PIPE | 108.00 | 20,271 | 21,89,244 | PUC |
| 2010-11 | 20100503 | CHINA P RP | 73042390 | DRILL PIPES 5 G-105 GD, R-II,19.5 PPF ITEM NO.8 MATERIAL CODE 010103214 (417 P | 106.60 | 1,99,632 | 2,12,80,396 | PUC |
| 2010-11 | 20100506 | SAUDI ARAB | 73049000 | SECONDARY SECOND CARBON STEEL SEAMLESS/WELDED PIPES,MIXED THICKNESS MIXED LOT | 106.00 | 16,027 | 16,98,833 | PUC |
| 2010-11 | 20100518 | CHINA P RP | 73043119 | SEAMLESS CARBON & ALLOY STEEL PIPES. OD 127.0 X 12.70 XR/L OF6-6.10 MTR GRADE S | 105.71 | 40,414 | 42,72,347 | PUC |
| 2010-11 | 20100518 | U ARAB EMTS | 73049000 | SECONDARY SECOND CHOICE CARBON STEEL SEAMLES/WELDED PIPES | 105.00 | 15,995 | 16,79,445 | PUC |
| 2010-11 | 20100511 | SAUDI ARAB | 73049000 | SECONDARY SECOND CARBON STEEL SEAMLESS/WELDED PIPES,MIXED THICKNESS MIXED LOT | 105.00 | 15,967 | 16,76,584 | PUC |
| 2010-11 | 20100521 | CHINA P RP | 73049000 | COLD DRAWN CARBON STEEL SEAMLESS PIPES | 105.00 | 28,179 | 29,58,839 | PUC |
| 2010-11 | 20100511 | SAUDI ARAB | 73049000 | SECONDARY SECOND CARBON STEEL SEAMLESS/WELDED PIPES,MIXED THICKNESS MIXED LOT | 104.00 | 15,936 | 16,57,355 | PUC |
| 2010-11 | 20100501 | CHINA P RP | 73043911 | SEAMLESS STEEL TUBE | 103.46 | 54,001 | 55,86,968 | PUC |
| 2010-11 | 20100506 | SAUDI ARAB | 73049000 | SECONDARY SECOND CABRON STEEL SEAMLESS/WELDED PIPES,MIXED THICKNESS MIXED LOT | 103.00 | 16,000 | 16,47,979 | PUC |
| 2010-11 | 20100506 | SAUDI ARAB | 73049000 | SECONDARY SECOND CARBON STEEL SEAMLESS/WELDED PIPES,MIXED THICKNESS MIXED LOT | 103.00 | 16,000 | 16,47,979 | PUC |
| 2010-11 | 20100511 | CHINA P RP | 73043139 | HYDRAULIC CYLINDER TUBE SIZE : 230 X 200 MM | 102.71 | 10,664 | 10,95,296 | PUC |
| 2010-11 | 20100510 | SAUDI ARAB | 73049000 | SECONDARY SECOND CARBON STEEL SEAMLESS/WELDED PIPES,MIXED THICKNESS MIXED LOT | 102.00 | 15,940 | 16,25,889 | PUC |
| 2010-11 | 20100511 | SAUDI ARAB | 73049000 | SECONDARY SECOND CARBON STEEL SEAMLESS/WELDED PIPES,MIXED THICKNESS MIXED LOT | 102.00 | 15,909 | 16,22,711 | PUC |
| 2010-11 | 20100504 | CHINA P RP | 73049000 | CARBON STEEL SEAMLESS PIPES ASTM A106 GR.B | 102.00 | 36,135 | 36,85,751 | PUC |
| 2010-11 | 20100504 | CHINA P RP | 73043119 | CARBON STEEL SEAMLESS PIPES(6X80X5800MM) | 102.00 | 27,366 | 27,91,361 | PUC |
| 2010-11 | 20100505 | JAPAN | 73049000 | SECONDARY SECOND CHOICE CARBON STEEL SEAMLESS PIPES (MIXED SIZE) | 100.00 | 27,177 | 27,17,707 | PUC |
| 2010-11 | 20100511 | U S A | 73049000 | SECONDARY/DEFECTIVE CARBON STEEL SEAMLESS PIPE | 100.00 | 26,940 | 26,94,000 | PUC |
| 2010-11 | 20100517 | U ARAB EMTS | 73043911 | CARBON STEEL SEAMLESS SECONDARY PIPE | 100.00 | 20,303 | 20,30,277 | PUC |
| 2010-11 | 20100528 | JAPAN | 73049000 | SECONDARY CARBON STEEL SEAMLESS PIPES IN MIXED SIZES,THICKNESS AND LENGTHS | 99.00 | 38,684 | 38,29,729 | PUC |
| 2010-11 | 20100525 | CHINA P RP | 73045910 | SEAMLESS STEEL PIPES FOR CYLINDERS (OD-108.00 MM WT 4.0MM L-5620 MM) | 97.00 | 44,000 | 42,68,013 | PUC |
| 2010-11 | 20100527 | CHINA P RP | 73043119 | SEAMLESS CARBON STEEL AND ALLOY STEEL TUBES.OD 63.50 X 4.00 X R/L OF 10-12 MTR. | 96.92 | 44,367 | 43,00,040 | PUC |
| 2010-11 | 20100505 | CHINA P RP | 73042990 | NON ALLOY STEEL SEAMLESS PIPES API 5L GRADE B 219.10MMX10.31MM | 96.00 | 40,626 | 39,00,082 | PUC |
| 2010-11 | 20100506 | CHINA P RP | 73049000 | 6-5/8 (168.3MM) OD ERW PIPE API 5L 6.4MM GRADE B:SCREWED END SOCKET AS PER APL | 94.91 | 44,720 | 42,44,502 | PUC |
| 2010-11 | 20100526 | CHINA P RP | 73043119 | SEAMLESS CARBON STEEL AND ALLOY STEEL TUBES.OD 44.50X 4.00 X R/L OF 10-12 MTR.G | 93.53 | 89,951 | 84,13,194 | PUC |

**Import Data from DGCIS [All Countries PUC]
Apr 2009 to Jun 2012**

| Year | Date | Country | ITC-HS | Item-Des | Quantity (MT) | Price (Rs./MT) | Value (Rs) | PUC/ NPUC |
|---------|----------|-------------|----------|---|---------------|----------------|-------------|--------------|
| 2010-11 | 20100518 | SAUDI ARAB | 73049000 | SECONDARY SECOND CARBON STEEL SEAMLESS/ WELDED PIPES & PIPE FITTINGS MIXED THIC | 91.00 | 16,016 | 14,57,436 | PUC |
| 2010-11 | 20100518 | SAUDI ARAB | 73049000 | SECONDARY SECOND CARBON STEEL SEAMLESS/ WELDED PIPES & PIPE FITTINGS MIXED THI | 91.00 | 15,895 | 14,46,471 | PUC |
| 2010-11 | 20100531 | CHINA P RP | 73043119 | COLD DRAWN SEAMLESS ALLOY STEEL AND CARBON STEEL TUBES.38.1MM OD X 8 MM THK X 9 | 90.52 | 1,50,509 | 1,36,24,372 | PUC |
| 2010-11 | 20100503 | JAPAN | 73049000 | SECONDARY CARBON STEEL SEAMLESS PIPE | 90.00 | 23,390 | 21,05,122 | PUC |
| 2010-11 | 20100514 | CHINA P RP | 73043911 | HOT FINISHED SEAMLESS TUBES (GB 18248-2008 37MN) SIZE: 139.7MM X 4.5MM X 5720MM | 90.00 | 43,046 | 38,74,098 | PUC |
| 2010-11 | 20100513 | U S A | 73042390 | DRILL PIPE, 5 IN OD GRADE S135 RANGE 2, P/N 1511-01698-DFU-0001 | 89.28 | 74,709 | 66,70,012 | PUC |
| 2010-11 | 20100524 | U S A | 73049000 | SECONDARY SECOND CHOICE CARBON STEEL SEAMLESS/WELDED PIPES | 86.00 | 15,757 | 13,55,078 | PUC |
| 2010-11 | 20100512 | CHINA P RP | 98010011 | PIPE,B-36.10, ASTM A 106 GR.B BE, SEAMLESS,IBR 1.5INCH XS | 85.14 | 1,20,831 | 1,02,87,769 | PUC |
| 2010-11 | 20100527 | CHINA P RP | 73043119 | SEAMLESS CARBON STEEL AND ALLOY STEEL PIPES.OD 127.00 X 12.70 X R/L OF 6-6.10MT | 84.48 | 40,417 | 34,14,376 | PUC |
| 2010-11 | 20100518 | ITALY | 73043911 | COLD DRAWN SEAMLESS STEEL TUBES 118.00X9.00X1.00E355 | 81.20 | 68,272 | 55,43,393 | PUC |
| 2010-11 | 20100506 | CHINA P RP | 73045110 | BEARING QUALITY STEEL TUBE SAE-52100 AND SUJ-3 SIZE:52.6 X 5.55 MM | 81.00 | 59,099 | 47,87,003 | PUC |
| 2010-11 | 20100518 | CHINA P RP | 73041990 | SECONDARY/DEFECTIVE SEAMLESS TUBES OF VARIOUS DIAMETERS LENGTH AND THICKNESS | 81.00 | 17,136 | 13,88,039 | PUC |
| 2010-11 | 20100504 | U ARAB EMTS | 73043119 | REJECTED/SEAMLESS & WELDED PIPES | 80.00 | 24,990 | 19,99,179 | PUC |
| 2010-11 | 20100529 | U ARAB EMTS | 73043911 | CARBON STEEL SECONDARY SEAMLESS PIPE | 80.00 | 20,443 | 16,35,457 | PUC |
| 2010-11 | 20100505 | CHINA P RP | 73049000 | PRIME CARBON STEEL SEAMLESS PIPES GRADE : ASTM A106 GR.B/API 5L GR.B | 79.88 | 33,002 | 26,36,118 | PUC |
| 2010-11 | 20100526 | CHINA P RP | 73043119 | SEAMLESS CARBON STEEL AND ALLOY STEEL TUBES.OD 44.50 X 4.00 XR/L OF 10-12 MTR.G | 78.78 | 87,978 | 69,31,247 | PUC |
| 2010-11 | 20100524 | CHINA P RP | 73041190 | CARBON STEEL SEAMLESS PIPES AS PER ASTM A106 GR.B/API 5L GRB (SIZE: 51MM X 11MM | 78.00 | 37,325 | 29,11,327 | PUC |
| 2010-11 | 20100520 | BELGIUM | 73049000 | SECONDARY ALLOY STEEL SEAMLESS PIPES IN MIXED SIZES/MIXED THICKNESS & MIXED LEN | 74.00 | 64,815 | 47,96,346 | PUC |
| 2010-11 | 20100513 | BAHARAIN IS | 73049000 | SECONDARY CARBON STEEL SEAMLESS PIPES | 74.00 | 22,939 | 16,97,458 | PUC |
| 2010-11 | 20100507 | CHINA P RP | 73041910 | CODL DRAWN SEAMLESS STEEL TUBES CARBON STEEL SEAMLESS PIPESTUBES | 74.00 | 39,813 | 29,46,133 | PUC |
| 2010-11 | 20100510 | CHINA P RP | 73049000 | SEAMLESS STEEL TUBES 65.00X5.50X5000-5800MM | 73.00 | 43,427 | 31,70,148 | PUC |
| 2010-11 | 20100522 | CHINA P RP | 73043119 | SEAMLESS CARBON AND ALLOY STEEL TUBES.OD 60.30 X 4.00 X R/L OF 10-12 MTR GRADE | 72.28 | 71,614 | 51,76,200 | PUC |
| 2010-11 | 20100514 | CHINA P RP | 73045110 | BEARING QUALITY STEEL TUBE SAE-52100, SAE-8620 AND SUJ-3 SIZE 53.7 X 7.3 MM | 72.00 | 71,455 | 51,44,728 | PUC |
| 2010-11 | 20100531 | CHINA P RP | 73042990 | NON ALLOY STEEL SEAMLESS PIPES API 5L GRADE B 73.0MMX9.53 | 72.00 | 41,186 | 29,65,397 | PUC |
| 2010-11 | 20100505 | CHINA P RP | 73041990 | SEAMLESS CARBON STEEL PIPES AS PER ASTM A106 GR.B/API 5L GR.B 63X8.5X5800MM | 72.00 | 32,511 | 23,40,780 | PUC |
| 2010-11 | 20100524 | U ARAB EMTS | 73069090 | SECONDARY DEFECTIVE UNUSED PARTIALY RUSTED PIPES OF VARIOUS SIZES & LENGTHS | 71.00 | 22,692 | 16,11,156 | PUC |
| 2010-11 | 20100512 | CHINA P RP | 73043119 | DIN 1629 ST 52 SEAMLESS PIPE (OD 122 MM X WT 7.50 MM) | 71.00 | 42,731 | 30,33,933 | PUC |
| 2010-11 | 20100510 | CHINA P RP | 73049000 | SUPPLY OF ASTM A 106 GRADE B SEAMLESS PIPE FOR ONE SHIP : SEAMLESS PIPE (OD : 7 | 71.00 | 42,038 | 29,84,670 | PUC |
| 2010-11 | 20100529 | CHINA P RP | 73049000 | SEAMLESS CARBON STEEL PIPE API 5LB/ASTM A106B | 71.00 | 29,530 | 20,96,621 | PUC |
| 2010-11 | 20100512 | CHINA P RP | 73049000 | SEAMLESS STEEL TUBES(33.38X3.38X5000-5800MM) | 70.00 | 46,320 | 32,42,369 | PUC |
| 2010-11 | 20100506 | CHINA P RP | 73049000 | CARBON STEEL SEAMLESS PIPE ASTM A106/A53/AP15L GR.B | 70.00 | 29,801 | 20,86,056 | PUC |
| 2010-11 | 20100512 | ITALY | 73069090 | SEAMLESS COLD DRAWN TUBES (120.00 X 100.00 X **** MM) | 66.78 | 76,120 | 50,83,603 | PUC |
| 2010-11 | 20100512 | CHINA P RP | 73069090 | SEAMLESS STEEL TUBES 6301IR (BEARING QUALITY) | 64.74 | 63,698 | 41,23,727 | PUC |
| 2010-11 | 20100528 | CHINA P RP | 73045110 | BEARING QUALITY STEEL TUBE SAE-52100 AND SUJ-3 SIZE:53.7X7.3MM | 63.00 | 63,489 | 39,99,829 | PUC |
| 2010-11 | 20100531 | CHINA P RP | 73049000 | SEAMLESS CARBON STEEL PIPES (API 5L / A106 / A53 GR.B) (273.1MM X 9.27MM,15.09 | 63.00 | 37,348 | 23,52,918 | PUC |
| 2010-11 | 20100528 | ROMANIA | 73041910 | SEAMLESS CARBON STEEL LINE PIPES (STOCK SURPLUS) | 60.00 | 26,405 | 15,84,316 | PUC |
| 2010-11 | 20100511 | CHINA P RP | 73043119 | CARBON STEEL SEAMLESS TUBES 38.1 X 4.06 X 11000 | 54.61 | 31,079 | 16,97,119 | PUC |
| 2010-11 | 20100524 | U K | 73069090 | SECONDARY DEFECTIVE UNUSED PARTIALY RUSTED PIPES OF VARIOUS SIZES & LENGTHS | 54.00 | 22,721 | 12,26,928 | PUC |
| 2010-11 | 20100518 | ITALY | 73049000 | SECONDARY SECOND CHOICE CARBON STEEL SEAMLESS/WELDTUBES/PIPE | 53.00 | 21,800 | 11,55,404 | PUC |
| 2010-11 | 20100517 | JAPAN | 73049000 | SECONDARY CARBON STEEL SEAMLESS PIPES | 53.00 | 21,162 | 11,21,597 | PUC |
| 2010-11 | 20100524 | U K | 73049000 | SECONDARY SECOND CHOICE CARBON STEEL SEAMLESS/WELDED PIPES | 52.00 | 15,775 | 8,20,281 | PUC |

**Import Data from DGCIS [All Countries PUC]
Apr 2009 to Jun 2012**

| Year | Date | Country | ITC-HS | Item-Des | Quantity (MT) | Price (Rs./MT) | Value (Rs) | PUC/ NPUC |
|---------|----------|-------------|----------|---|---------------|----------------|------------|--------------|
| 2010-11 | 20100510 | JAPAN | 73045910 | CARBON STEEL PIPES (HOT FINSH SEAMLESS) 219.1MM X 42.00MM X6000 MM | 51.75 | 60,797 | 31,46,068 | PUC |
| 2010-11 | 20100529 | SINGAPORE | 73049000 | SECONDARY DEFECTIVE CARBON STEEL SEAMLESS PIPES | 51.00 | 37,456 | 19,10,247 | PUC |
| 2010-11 | 20100503 | JAPAN | 73049000 | CARBON STEEL PIPES (SECONDARY DEFECTIVE) NON ALLOY. | 51.00 | 22,383 | 11,41,528 | PUC |
| 2010-11 | 20100511 | CHINA P RP | 73043119 | CARBON STEEL SEAMLESS PIPE K55 AS PER API 5CT & 5B 270 X 21 MM | 51.00 | 44,386 | 22,63,673 | PUC |
| 2010-11 | 20100531 | CHINA P RP | 73049000 | CARBON STEEL SEAMLESS PIPE ASTM A 106 GR B / A 53 GR B / API 5L GR B SIZE 219. | 51.00 | 38,667 | 19,72,022 | PUC |
| 2010-11 | 20100520 | CHINA P RP | 73049000 | CARBON STEEL SEAMLESS PIPES ASTM A106/A53 GR.B | 50.00 | 37,510 | 18,75,513 | PUC |
| 2010-11 | 20100526 | CHINA P RP | 73049000 | CARBON STEEL SEAMLESS PIPE API 5L/ASTM A106/A53 GR.B.114.3MM X 6.02MM | 50.00 | 36,731 | 18,36,534 | PUC |
| 2010-11 | 20100518 | CHINA P RP | 73043119 | CARBON STEEL SEAMLESS TUBES AS PER ASTM A-106/API.5L GR.A | 50.00 | 29,187 | 14,59,367 | PUC |
| 2010-11 | 20100506 | CHINA P RP | 73049000 | SEAMLESS SQUARE TUBE (SIZE 70*70*4MM) | 49.48 | 38,233 | 18,91,930 | PUC |
| 2010-11 | 20100519 | GERMANY | 73041910 | SEAMLESS STEEL PIPE RON 60,3 X 4,5 MM ST35.81 THERMAL OIL HEAT CONSUMERS SY | 49.48 | 1,84,303 | 91,18,669 | PUC |
| 2010-11 | 20100511 | ITALY | 73043911 | COLD DRAWN SEAMLESS STEEL TUBE140.00 X 10.00 X 1.00E355 | 49.42 | 57,132 | 28,23,528 | PUC |
| 2010-11 | 20100517 | FRANCE | 73049000 | HOT FINISHED SEAMLESS STEEL TUBES,OD 508 MM X WT 20 MM FIXED LENGTH 5000 MM (11 | 49.38 | 89,810 | 44,34,988 | PUC |
| 2010-11 | 20100513 | CANADA | 73049000 | STOCK LOT OF CARBON & ALLOY STEEL BARS | 49.00 | 24,893 | 12,19,736 | PUC |
| 2010-11 | 20100504 | U ARAB EMTS | 73049000 | CARBON STEEL PIPES (SECONDARY DEFECTIVE)NON ALLOY. | 49.00 | 22,985 | 11,26,278 | PUC |
| 2010-11 | 20100510 | CHINA P RP | 73049000 | SUPPLY OF ASTM A 106 GRADE B SEAMLESS PIPE FOR ONE SHIP : SEAMLESS PIPE (OD : 8 | 49.00 | 40,891 | 20,03,682 | PUC |
| 2010-11 | 20100529 | CHINA P RP | 73049000 | SEAMLESS CARBON STEEL PIPES API 5LB/ASTM A106B/A53B | 49.00 | 28,234 | 13,83,481 | PUC |
| 2010-11 | 20100531 | CHINA P RP | 73049000 | SEAMLESS CARBON STEEL PIPE API 5LB/ASTM A 106B | 49.00 | 28,144 | 13,79,076 | PUC |
| 2010-11 | 20100519 | CHINA P RP | 73049000 | CARBON STEEL SEAMLESS PIPE CONFIRMING TO API 5L GR.B/ASTM A106 GR.B | 49.00 | 24,761 | 12,13,265 | PUC |
| 2010-11 | 20100526 | CHINA P RP | 73043911 | CARBON STEEL SEAMLESS PIPE 20 9.5MM | 49.00 | 23,174 | 11,35,539 | PUC |
| 2010-11 | 20100514 | U ARAB EMTS | 73049000 | CARBON STEEL SEAMLESS PIPE SECONDARY SECOND CHOICE | 48.00 | 23,576 | 11,31,651 | PUC |
| 2010-11 | 20100511 | CHINA P RP | 73043119 | COLD DRAWN STEEL SEAMLESS TUBES ASTM A106 57 MM OD X 3.15 MM THK X 3 MTR LENGT | 48.00 | 35,183 | 16,88,764 | PUC |
| 2010-11 | 20100529 | CHINA P RP | 73049000 | SEAMLESS CARBON STEEL PIPES API 5LB/ASTM A106B/A53B | 48.00 | 28,530 | 13,69,450 | PUC |
| 2010-11 | 20100511 | BELGIUM | 73049000 | M.S.SEALESS PIPE SECONDARY SECOND CHOICE MIX | 47.00 | 14,708 | 6,91,291 | PUC |
| 2010-11 | 20100524 | CHINA P RP | 73041110 | MS SEAMLESS PIPES /TUBES 114X17X5-5.8MM | 47.00 | 23,895 | 11,23,086 | PUC |
| 2010-11 | 20100511 | CHINA P RP | 73049000 | CARBON SEAMLESS STEEL TUBES ASME SA210M GR.A1 50.8MM OD X 6.35MM MIN.WT. X 1100 | 46.05 | 35,637 | 16,41,017 | PUC |
| 2010-11 | 20100518 | CHINA P RP | 73043929 | SEAMLESS CARBON STEEL PIPE ASTM A106 GRADE B PLAIN ENDS BLACK VARNISHED COATI | 46.00 | 44,615 | 20,52,287 | PUC |
| 2010-11 | 20100512 | CHINA P RP | 73042990 | NON ALLOY STEEL SEAMLESS PIPES API 5L GRADE B 101 6MM X8.08MM | 46.00 | 40,218 | 18,50,009 | PUC |
| 2010-11 | 20100528 | CHINA P RP | 73041990 | SECONDARY/DEFECTIVE M.S. TUBES OF VARIOUS DIAMETERSLENGTH AND THICKNESS. | 46.00 | 15,843 | 7,28,783 | PUC |
| 2010-11 | 20100506 | JAPAN | 73045910 | ALLOY STEEL SEAMLESS PIPES GRADE P9 | 45.00 | 1,95,561 | 88,00,234 | PUC |
| 2010-11 | 20100510 | U S A | 73049000 | SECONDARY SECOND CHOICE CARBON STEEL SEAMLESS/WELDED PIPES | 45.00 | 15,809 | 7,11,383 | PUC |
| 2010-11 | 20100531 | CHINA P RP | 73045110 | SEMLESS STEEL PIPE ASTM A106 GRADE-B 32.0MM (O/D) X 18MM (I/D) X4.2 MTR LEN | 45.00 | 40,657 | 18,29,563 | PUC |
| 2010-11 | 20100503 | CHINA P RP | 73043119 | CARBON STEEL SEAMLESS PIPES SAE 1040/1541 | 45.00 | 29,612 | 13,32,529 | PUC |
| 2010-11 | 20100529 | CHINA P RP | 73049000 | CARBON STEEL SEAMLESS PIPES STOCK LOT | 45.00 | 25,368 | 11,41,582 | PUC |
| 2010-11 | 20100504 | CHINA P RP | 73041110 | MS SEAMLESS PIPES/TUBES 60.3X5.54X5800MM (SEAMLESS STEEL) | 44.50 | 23,348 | 10,38,870 | PUC |
| 2010-11 | 20100507 | JAPAN | 73049000 | CARBON STEEL PIPES (SECONDARY DEFECTIVE) NON ALLOY. | 44.00 | 22,297 | 9,81,073 | PUC |
| 2010-11 | 20100524 | BELGIUM | 73049000 | M.S SEALESS PIPE SECONDARY SECOND CHOICE MIX | 44.00 | 19,620 | 8,63,259 | PUC |
| 2010-11 | 20100510 | U S A | 73049000 | SECONDARY SECOND CHOICE CARBON STEEL SEAMLESS/WELDED PIPES | 43.00 | 15,939 | 6,85,393 | PUC |
| 2010-11 | 20100521 | CHINA P RP | 73041190 | SEAMLESS PIPE FOR ONE SHIP OF ASTM A 106 GRADE B (OD MM 60.30 WALL THK 8.74) | 42.00 | 46,392 | 19,48,465 | PUC |
| 2010-11 | 20100505 | ITALY | 73043911 | COLD DRAWN SEAMLESS STEEL TUBE120.00 X10.00 X1.00 E355 | 41.28 | 60,544 | 24,98,997 | PUC |
| 2010-11 | 20100526 | U S A | 73049000 | SECONDARY/DEFECTIVE CARBON STEEL SEAMLESS PIPE | 41.00 | 21,858 | 8,96,158 | PUC |
| 2010-11 | 20100517 | SINGAPORE | 73041910 | SECONDARY STEEL PIPE CUTTING BITS | 38.00 | 17,287 | 6,56,887 | PUC |

**Import Data from DGCIS [All Countries PUC]
Apr 2009 to Jun 2012**

| Year | Date | Country | ITC-HS | Item-Des | Quantity (MT) | Price (Rs./MT) | Value (Rs) | PUC/ NPUC |
|---------|----------|-------------|----------|---|---------------|----------------|------------|--------------|
| 2010-11 | 20100527 | CHINA P RP | 73041910 | API 5CT K55 SEAMLESS STEEL TUBING COUPLING STOCK | 38.00 | 43,579 | 16,56,005 | PUC |
| 2010-11 | 20100510 | CHINA P RP | 73049000 | PRIME CARBON STEEL SEAMLESS PIPE TO ASTM A106 GR B | 38.00 | 30,180 | 11,46,836 | PUC |
| 2010-11 | 20100511 | CHINA P RP | 73045110 | STEEL TUBE DIA 4.76 0.60MM WITH COPPER COATED NO ANTI DUMPING DUTY | 33.87 | 61,251 | 20,74,380 | PUC |
| 2010-11 | 20100519 | CHINA P RP | 73041990 | SEAMLESS PIPE B-36,10 ASTM A 333 GR.6,PE SEAMLESS ,LT,1.5INCH XS | 32.77 | 31,860 | 10,44,186 | PUC |
| 2010-11 | 20100521 | CHINA P RP | 73043119 | SEAMLESS CARBON AND ALLOY STEEL PIPES.OD 273.00 X6.35 X F/L OF 6MTR. GRADE SA 3 | 32.33 | 1,18,427 | 38,28,914 | PUC |
| 2010-11 | 20100528 | CHINA P RP | 73045110 | BEARING QUALITY STEEL TUBE SAE-52100 AND SUJ-3 SIZE:80.9X5.65MM | 32.00 | 59,388 | 19,00,425 | PUC |
| 2010-11 | 20100504 | SAUDI ARAB | 73049000 | SECONDARY SECOND CARBON STEEL SEAMLESS/WELDED PIPES.MIXED THICKNESS MIXED LOT | 31.00 | 16,287 | 5,04,882 | PUC |
| 2010-11 | 20100511 | CHINA P RP | 73043119 | COLD DRAWN STEEL SEAMLESS TUBES ASTM A106 57 MM OD X 3.15MM THK X 3 MTR LENGTH | 31.00 | 35,160 | 10,89,956 | PUC |
| 2010-11 | 20100511 | CHINA P RP | 73049000 | CARBON SEAMLESS STEEL TUBES ASME SA210M GR.A1 38.1MM OD X 3.66MM MIN.WT. X 1000 | 30.82 | 48,418 | 14,92,090 | PUC |
| 2010-11 | 20100503 | JAPAN | 73049000 | CARBON STEEL PIPES (SECONDARY DEFECTIVE) NON ALLOY. | 30.00 | 22,825 | 6,84,739 | PUC |
| 2010-11 | 20100526 | CHINA P RP | 73069090 | SEAMLESS STEEL TUBES 63010R (BEARING QUALITY) | 29.38 | 70,486 | 20,71,031 | PUC |
| 2010-11 | 20100521 | CHINA P RP | 73043119 | SEAMLESS CARBON STEEL AND ALLOY STEEL TUBES.OD 57.15X4.00XR/L OF 10-12 MTR.GRAD | 29.29 | 1,00,447 | 29,41,821 | PUC |
| 2010-11 | 20100503 | JAPAN | 73049000 | CARBON STEEL PIPES (SECONDARY DEFECTIVE) NON ALLOY. | 29.00 | 22,515 | 6,52,938 | PUC |
| 2010-11 | 20100503 | JAPAN | 73049000 | CARBON STEEL PIPES (SECONDARY DEFECTIVE) NON ALLOY. | 29.00 | 22,514 | 6,52,915 | PUC |
| 2010-11 | 20100511 | FRANCE | 73049000 | HEAT EXCHANGER SEAMLESS COLD DRAWN TUBES (25.000 MM X 2.500MM X 5997 MM) | 28.57 | 1,50,507 | 43,00,367 | PUC |
| 2010-11 | 20100504 | U ARAB EMTS | 73049000 | CARBON STEEL PIPES (SECONDARY DEFECTIVE)NON ALLOY. | 28.00 | 23,339 | 6,53,502 | PUC |
| 2010-11 | 20100522 | THAILAND | 73069090 | C.S.TUBES, SPEC: STKM13C OD51.9XID45.9XWT3.0XL291.5MM | 27.14 | 54,315 | 14,74,292 | PUC |
| 2010-11 | 20100514 | RUSSIA | 73049000 | SECONDARY & DEFECTIVE SEAMLESS CARBON STEEL PIPES | 27.00 | 17,027 | 4,59,727 | PUC |
| 2010-11 | 20100511 | BELGIUM | 73049000 | M.S.SEALESS PIPE SECONDARY SECOND CHOICE MIX | 26.00 | 20,179 | 5,24,648 | PUC |
| 2010-11 | 20100524 | U K | 73049000 | SECONDARY SECOND CHOICE CARBON STEEL SEAMLESS/WELDED PIPES | 26.00 | 15,974 | 4,15,332 | PUC |
| 2010-11 | 20100520 | ITALY | 73049000 | SECONDARY ALLOY STEEL SEAMLESS PIPES IN MIXED SIZES, MIXED THICKNESSES AND MIXE | 25.00 | 65,217 | 16,30,420 | PUC |
| 2010-11 | 20100512 | JAPAN | 73049000 | SECONDARY SEAMLESS CARBON STEEL PIPES | 25.00 | 36,038 | 9,00,940 | PUC |
| 2010-11 | 20100518 | MALAYSIA | 73049000 | SECONDARY SECOND CHOICE CARBON STEEL SEAMLESS/WELDED PIPES | 25.00 | 22,245 | 5,56,136 | PUC |
| 2010-11 | 20100524 | CHINA P RP | 73045120 | ALLOY STEEL SEAMLESS PIPES | 25.00 | 51,247 | 12,81,177 | PUC |
| 2010-11 | 20100531 | CHINA P RP | 73049000 | CARBON STEEL SEAMLESS PIPE ASTM A 106 GR B / A 53 GR B / API 5L GR B SIZE 88.9 | 25.00 | 37,443 | 9,36,083 | PUC |
| 2010-11 | 20100511 | CHINA P RP | 73049000 | CARBON STEEL SEAMLESS LINE PIPES ASTM A106 GR.B / APL 5L GR.B SIZE 273MM X 38 M | 25.00 | 33,970 | 8,49,252 | PUC |
| 2010-11 | 20100518 | CHINA P RP | 73043119 | CARBON STEEL SEAMLESS TUBES AS PER ASTM A106/API 5L GR.A | 25.00 | 29,381 | 7,34,528 | PUC |
| 2010-11 | 20100511 | CHINA P RP | 73049000 | SEAMLESS STEEL PIPE ASTM A106 GR.B AS GB/T 8163 | 25.00 | 28,580 | 7,14,492 | PUC |
| 2010-11 | 20100517 | GERMANY | 73041190 | SEAMLESS STEEL TUBES (EX STOCK) 31.8X4.5 MM, 31.8 X 5.6 MM , 38.0 X 3.6 MM. | 24.97 | 42,565 | 10,63,023 | PUC |
| 2010-11 | 20100501 | CHINA P RP | 73041910 | STEEL TUBE | 24.25 | 43,207 | 10,47,758 | PUC |
| 2010-11 | 20100514 | U ARAB EMTS | 73049000 | CARBON STEEL SEAMLESS PIPE SECONDARY SECOND CHOICE | 24.00 | 23,849 | 5,72,374 | PUC |
| 2010-11 | 20100513 | MALAYSIA | 73041910 | USED IRON PIPES | 24.00 | 21,113 | 5,06,721 | PUC |
| 2010-11 | 20100524 | BELGIUM | 73049000 | M.S.LOW CARBON SEAMLESS PIPE MIXED DEFECTIVE | 24.00 | 20,310 | 4,87,437 | PUC |
| 2010-11 | 20100511 | CHINA P RP | 73049000 | PRIME CARBON STEEL SEAMLESS PIPES (A 106 GR.B) (8 SCH40 X 5800MM) | 24.00 | 38,693 | 9,28,635 | PUC |
| 2010-11 | 20100531 | CHINA P RP | 73049000 | SEAMLESS CARBON STEEL PIPES API 5L/ASTM A106/A53 GR.B | 24.00 | 36,816 | 8,83,586 | PUC |
| 2010-11 | 20100506 | CHINA P RP | 73049000 | CARBON STEEL SEAMLESS PIPE ASTM A106/A53/AP15L GR.B | 24.00 | 28,740 | 6,89,751 | PUC |
| 2010-11 | 20100528 | CHINA P RP | 73049000 | CARBON STEEL SEAMLESS TUBES ASTMA .179 | 23.00 | 45,756 | 10,52,377 | PUC |
| 2010-11 | 20100521 | CHINA P RP | 73041190 | SEAMLESS PIPE FOR ONE SHIP OF ASTM A 106 GRADE B (OD MM 48.30 WALL THK 5.08) | 23.00 | 43,338 | 9,96,781 | PUC |
| 2010-11 | 20100510 | CHINA P RP | 73049000 | SUPPLY OF ASTM A 106 GRADE B SEAMLESS PIPES FOR ONE SHIP : SEAMLESS PIPE OD : 7 | 23.00 | 42,962 | 9,88,132 | PUC |
| 2010-11 | 20100524 | U S A | 73069090 | SECONDARY M.S. RUSTED & PITTED PIPES (UNUSED) | 22.00 | 22,869 | 5,03,108 | PUC |
| 2010-11 | 20100514 | KUWAIT | 73049000 | SECONDARY DEFECTIVE CARBON STEEL SEAMLESS PIPE | 22.00 | 19,399 | 4,26,774 | PUC |

**Import Data from DGCIS [All Countries PUC]
Apr 2009 to Jun 2012**

| Year | Date | Country | ITC-HS | Item-Des | Quantity (MT) | Price (Rs./MT) | Value (Rs) | PUC/ NPUC |
|---------|----------|-------------|----------|---|---------------|----------------|------------|--------------|
| 2010-11 | 20100510 | CHINA P RP | 73043911 | SEAMLESS STEEL TUBE GRADE SAE52100/GCR15SIZE: 53.8 X 39.2 X 7.30 | 22.00 | 51,654 | 11,36,394 | PUC |
| 2010-11 | 20100526 | ITALY | 73043129 | SEAMLESS COLD DRAWN TUBES FOR MECHANICAL APPLICATIONS (OD 210.00 X WT 23.00 MM | 21.22 | 1,24,386 | 26,39,614 | PUC |
| 2010-11 | 20100504 | JAPAN | 73049000 | SECONDARY CARBON STEEL SEAMLESS PIPES MIX SIZES | 21.00 | 25,706 | 5,39,818 | PUC |
| 2010-11 | 20100503 | JAPAN | 73049000 | CARBON STEEL PIPES (SECONDARY DEFECTIVE) NON ALLOY. | 21.00 | 23,044 | 4,83,921 | PUC |
| 2010-11 | 20100503 | JAPAN | 73049000 | CARBON STEEL PIPES (SECONDARY DEFECTIVE) NON ALLOY. | 21.00 | 22,600 | 4,74,602 | PUC |
| 2010-11 | 20100518 | CHINA P RP | 73041190 | CARBON STEEL SEAMLESS PIPES ASTM A 106-GRADE B60.3MMX3.9MMX5800MM | 21.00 | 36,150 | 7,59,155 | PUC |
| 2010-11 | 20100506 | CHINA P RP | 73049000 | STEEL TUBES 19.7MMX14.5MMX2.60MM | 20.65 | 1,01,025 | 20,86,166 | PUC |
| 2010-11 | 20100503 | CHINA P RP | 73045110 | STEEL TUBE DIA 4.76 X 0.60 MM WITH COPPER COATED | 20.01 | 54,324 | 10,86,913 | PUC |
| 2010-11 | 20100513 | CHINA P RP | 73042310 | MILD STEEL SEAMLESS PIPE(26.9 MM OD X 2.900 MM X 6000 MM) | 20.00 | 27,720 | 5,54,397 | PUC |
| 2010-11 | 20100512 | CHINA P RP | 73045110 | STEEL TUBE DIA 4.76 X 0.60 MM WITH COPPER COATED | 19.47 | 54,324 | 10,57,784 | PUC |
| 2010-11 | 20100513 | U S A | 73049000 | DEFECTIVE/SECONDARY NON ALLOY ROUND BARS | 19.00 | 27,356 | 5,19,757 | PUC |
| 2010-11 | 20100513 | U ARAB EMTS | 73049000 | CARBON STEEL PIPE SECONDARY DEFECTIVE | 19.00 | 21,162 | 4,02,080 | PUC |
| 2010-11 | 20100506 | ITALY | 73049000 | SECONDARY SURPLUS CARBON STEEL SEAMLESS PIPES | 19.00 | 18,697 | 3,55,249 | PUC |
| 2010-11 | 20100513 | CHINA P RP | 73049000 | ALLOY STEEL SEAMLESS TUBE 17.4 X 11 20CR | 19.00 | 77,143 | 14,65,718 | PUC |
| 2010-11 | 20100529 | CHINA P RP | 73045110 | BEARING QUALITY STEEL TUBE SAE-52100 SIZE 47.20X37.30MM | 18.97 | 55,626 | 10,54,998 | PUC |
| 2010-11 | 20100520 | JAPAN | 73049000 | SEAMLESS ALLOY STEEL TUBES JIS G3441 SCM415TK 34.00MM OD X 26.00MM ID X 5M | 18.66 | 1,11,228 | 20,75,840 | PUC |
| 2010-11 | 20100531 | CHINA P RP | 73049000 | STEEL SEAMLESS TUBE A106 GR.B | 18.00 | 48,591 | 8,74,641 | PUC |
| 2010-11 | 20100504 | CHINA P RP | 73049000 | CARBON STEEL SEAMLESS PIPE AS PER ASTM API 5L/ ASTM A53/106 GRADE B | 18.00 | 27,911 | 5,02,397 | PUC |
| 2010-11 | 20100510 | CHINA P RP | 73042990 | DRILL PIPE FOR OIL DRILLING RIG (52 JOINTS) 5 INCH OD/19.5 PPGF-105/IEU/RH/R-II | 17.70 | 1,42,845 | 25,27,780 | PUC |
| 2010-11 | 20100511 | GERMANY | 73041910 | COLD DRAWN SEAMLESS PIPE CDS SRB-H8 ST52BK+S,220X190X3110L (P.O. # BEPO/NM1/490 | 17.22 | 1,21,484 | 20,91,990 | PUC |
| 2010-11 | 20100424 | CHINA P RP | 73045110 | STEEL TUBE DIA 4.76 X 0.55 MM WITH ZN COATED. | 17.15 | 64,883 | 11,12,545 | PUC |
| 2010-11 | 20100513 | JAPAN | 73049000 | ALLOY STEEL SEAMLESS STEEL TUBES O D. 47.55MMX W/TH 6.35MM | 17.07 | 1,58,054 | 26,98,178 | PUC |
| 2010-11 | 20100517 | CHINA P RP | 73041190 | SEAMLESS STEEL TUBES-ST 18.3MM X 11.65MM SCM415H | 16.45 | 1,10,740 | 18,21,562 | PUC |
| 2010-11 | 20100518 | ITALY | 73043911 | SEAMLESS COLD DRAWN TUBES FOR HYDRAULIC CYLINDERS220.00X17.50MM | 16.00 | 86,892 | 13,90,266 | PUC |
| 2010-11 | 20100529 | CHINA P RP | 73045920 | HOT FINISHED CARBON STEEL SEAMLESS MOTHER PIPES [203.2MM X 23.02MM X 6M X 2] | 16.00 | 58,709 | 9,39,347 | PUC |
| 2010-11 | 20100428 | CHINA P RP | 73041990 | STEEL TUBE WITH COPPER COATED OR ZINC COATED 8 MMX0.65 MM (G.I PIPE) | 15.99 | 37,179 | 5,94,567 | PUC |
| 2010-11 | 20100518 | CHINA P RP | 98010011 | 6)PIPES-8.0 INCH 6.35 MM | 15.45 | 1,21,485 | 18,76,893 | PUC |
| 2010-11 | 20100512 | SINGAPORE | 73049000 | COLD DRAWN SEAMLESS TUBE ITEM NO.RGPP002 18.4(+/-0.05) X 12.0(+/-0.1)MM GRADE S | 15.37 | 2,18,204 | 33,54,674 | PUC |
| 2010-11 | 20100511 | CHINA P RP | 73049000 | CARBON SEAMLESS STEEL TUBES ASME SA210M GR.A1 50.8MM OD X 3.66MM MIN.WT. X 1050 | 15.23 | 55,397 | 8,43,656 | PUC |
| 2010-11 | 20100528 | U ARAB EMTS | 73049000 | M.S SECONDARY & DEFECTIVE SEAMLESS PIPE | 15.00 | 28,260 | 4,23,902 | PUC |
| 2010-11 | 20100501 | CHINA P RP | 73041910 | STEEL TUBE | 14.76 | 46,008 | 6,78,892 | PUC |
| 2010-11 | 20100504 | CHINA P RP | 73042390 | [OILWELL DRILLING EQUIPMENT] BRAND NEW DRILL PIPE 2-7/8 OD. RIGHT HAND THREAD, | 14.27 | 2,23,899 | 31,94,186 | PUC |
| 2010-11 | 20100521 | JAPAN | 73041110 | C.R. ALLOY STEEL TUBE FOR BEARINGS SIZE:OD 64.70MMXWT8.50MM | 14.00 | 95,142 | 13,31,985 | PUC |
| 2010-11 | 20100531 | SINGAPORE | 73049000 | SECONDARY/DEFECTIVE CARBON STEEL PIPE | 14.00 | 24,532 | 3,43,449 | PUC |
| 2010-11 | 20100505 | CHINA P RP | 73041990 | BEARING QUALITY STEEL TUBE 27.6*4.72 GRADE GCR15 | 13.46 | 56,069 | 7,54,748 | PUC |
| 2010-11 | 20100512 | JAPAN | 73049000 | COLD DRAWN SEAMLES TUBE ITEM NO. RGPS024 10.4(+/-0.05) X 7.0(+0.2/-0.)MM GRADE | 13.12 | 2,32,619 | 30,51,258 | PUC |
| 2010-11 | 20100526 | CHINA P RP | 73043939 | HYDRAULIC CYLINDER HONED TUBE-93*80 | 12.65 | 1,07,078 | 13,54,547 | PUC |
| 2010-11 | 20100507 | KOREA RP | 73043939 | CDS TUBE LW5136 SIZE 230.0 X 182.0 | 12.07 | 1,69,177 | 20,42,792 | PUC |
| 2010-11 | 20100507 | GERMANY | 73041910 | SEAMLESS PIPE ST52BK+S ,244.48X228.60X2020L [PO.# BEPO/NM1/4200049924] (DEC - 6 | 11.77 | 2,09,544 | 24,66,058 | PUC |
| 2010-11 | 20100527 | CHINA P RP | 73049000 | COLD SRAWN SEAMLESS PIN STEEL TUBE SCM415H OD17.30MM X ID11.1MM | 11.50 | 97,469 | 11,21,281 | PUC |
| 2010-11 | 20100526 | ITALY | 73043139 | SEAMLESS COLD DRAWN TUBES FOR MECHANICAL APPLICATIONS (OD 234.18 X ID 207.96 MM | 11.44 | 1,26,078 | 14,42,316 | PUC |

**Import Data from DGCIS [All Countries PUC]
Apr 2009 to Jun 2012**

| Year | Date | Country | ITC-HS | Item-Des | Quantity (MT) | Price (Rs./MT) | Value (Rs) | PUC/ NPUC |
|---------|----------|------------|----------|---|---------------|----------------|------------|--------------|
| 2010-11 | 20100503 | JAPAN | 73049000 | SECONDARY CARBON STEEL SEAMLESS PIPE | 11.00 | 25,157 | 2,76,722 | PUC |
| 2010-11 | 20100503 | SAUDI ARAB | 73049000 | SECONDARY SECOND CARBON STEEL SEAMLESS/WELDED PIPES,MIXED THICKNESS MIXED LOT | 11.00 | 16,614 | 1,82,756 | PUC |
| 2010-11 | 20100506 | CHINA P RP | 98010013 | SEAMLESS CARBON STEEL PIPES SA106 GRB S37/8/10 CIF RS.461974 | 11.00 | 41,998 | 4,61,974 | PUC |
| 2010-11 | 20100510 | JAPAN | 73045910 | CARBON STEEL PIPES (HOT FINSH SEAMLESS) 219.1MM X 40.00MM X6000 MM | 10.60 | 56,483 | 5,98,952 | PUC |
| 2010-11 | 20100518 | ITALY | 73041990 | HOT FINISHED MACHANICAL TUBING SIZE 273.00MMX35.00MM | 10.00 | 1,30,903 | 13,09,030 | PUC |
| 2010-11 | 20100507 | JAPAN | 73049000 | CARBON STEEL PIPES (SECONDARY DEFECTIVE) NON ALLOY. | 10.00 | 23,318 | 2,33,176 | PUC |
| 2010-11 | 20100531 | U S A | 73049000 | SECONDARY SECOND CHOICE CARBON STEEL SEAMLESS/WELDED PIPES | 10.00 | 16,898 | 1,68,983 | PUC |
| 2010-11 | 20100517 | CHINA P RP | 73043119 | SEAMLESS STEEL TUBE GRADE SAE52100/GCR15 SIZE 29.00 X 22.00 X 3.50 | 9.91 | 54,265 | 5,37,762 | PUC |
| 2010-11 | 20100505 | CHINA P RP | 73041990 | BEARING QUALITY STEEL TUBE 32.6*3.2 GRADE GCR15 | 9.42 | 52,982 | 4,98,932 | PUC |
| 2010-11 | 20100529 | CHINA P RP | 73045920 | HOT FINISHED CARBON STEEL SEAMLESS MOTHER PIPES [140MM X 19.05MM X 9.97M X 15 | 9.00 | 51,830 | 4,66,471 | PUC |
| 2010-11 | 20100518 | CHINA P RP | 73041190 | SEAMLESS CARBON STEEL TUBE 193.7X10MM | 9.00 | 41,204 | 3,70,838 | PUC |
| 2010-11 | 20100528 | KOREA RP | 73069090 | COLD DRAWN STEEL TUBES (ID 110 X OD 128) | 8.82 | 92,527 | 8,15,896 | PUC |
| 2010-11 | 20100505 | JAPAN | 73043119 | HOT FINISHED SEAMLESS CARBON STEEL PIPES.ASTM A 106 GRB 273.10 X 40 6000 MM(6 P | 8.38 | 72,692 | 6,09,408 | PUC |
| 2010-11 | 20100528 | CHINA P RP | 73045110 | BEARING QUALITY STEEL TUBE - SAE52100 (SIZE 55.6*7.1) | 8.10 | 51,186 | 4,14,709 | PUC |
| 2010-11 | 20100521 | KUWAIT | 73049000 | SECONDARY CARBON STEEL/GALVANIZED PIPES MIXED LOT | 8.00 | 30,879 | 2,47,033 | PUC |
| 2010-11 | 20100531 | CHINA P RP | 73049000 | SEAMLESS CARBON STEEL TUBES | 8.00 | 48,935 | 3,91,480 | PUC |
| 2010-11 | 20100507 | CHINA P RP | 73045110 | BEARING QUALITY STEEL TUBE - SAE52100: (SIZE-55.6*7.1MM) | 7.96 | 51,186 | 4,07,543 | PUC |
| 2010-11 | 20100519 | KOREA RP | 73049000 | SA182 GR.F22CL.1 ROUND BARS OD225 X 1000L | 7.90 | 1,85,183 | 14,62,944 | PUC |
| 2010-11 | 20100529 | TAIWAN | 73044900 | COLD DRAW PRECISION STEEL TUBE ST 52.3 80 MM * 95 MM * 1850MM | 7.19 | 55,389 | 3,98,145 | PUC |
| 2010-11 | 20100507 | GERMANY | 73043139 | SEAMLESS TUBES (20 MMV6 UNTREATED) (168.30X35.00 MM) LENGTHS 4.50 MM PER PCS 12 | 6.24 | 96,128 | 6,00,226 | PUC |
| 2010-11 | 20100519 | JAPAN | 73049000 | CDS TUBES 299X244X6745/7100MM | 6.00 | 1,92,622 | 11,55,731 | PUC |
| 2010-11 | 20100511 | U S A | 73049000 | SECONDARY/DEFECTIVE CARBON STEEL SEAMLESS PIPE | 6.00 | 27,614 | 1,65,681 | PUC |
| 2010-11 | 20100529 | CHINA P RP | 73045910 | HOT FINISHED CARBON STEEL SEAMLESS MOTHER PIPES [114.3MM X 12.7MM X 8.625M X 2 | 6.00 | 56,532 | 3,39,193 | PUC |
| 2010-11 | 20100511 | CHINA P RP | 73043139 | HYDRAULIC CYLINDER TUBE SIZE : 73 X 63MM | 5.89 | 49,198 | 2,89,691 | PUC |
| 2010-11 | 20100506 | CHINA P RP | 73045120 | COLD DRAWN SEAMLESS STEEL TUBE FOR HYDRAULICS CYLINDER (140 X 125 MM X 4-6M) | 5.64 | 1,07,818 | 6,07,946 | PUC |
| 2010-11 | 20100423 | JAPAN | 73049000 | 38.0 X 1.6 X 3500-4000 (972 PCS) STEEL TUBE FOR FUEL PUMP | 5.45 | 1,93,513 | 10,53,676 | PUC |
| 2010-11 | 20100513 | JAPAN | 73049000 | 38.0 X 1.6 X 3500-4000 (972 PCS) STEEL TUBE FOR FUEL PUMP | 5.44 | 1,86,344 | 10,13,525 | PUC |
| 2010-11 | 20100518 | ITALY | 73043911 | SEAMLESS COLD DRAWN TUBES FOR HYDRAULIC CYLINDER190.00MMX 20.00MM | 5.40 | 74,240 | 4,00,898 | PUC |
| 2010-11 | 20100524 | FRANCE | 73049000 | HEAT EXCHANGER SEAMLESS COLD DRAWN TUBES (25.000 MM X 2.50 MM X 6,000 MM) | 5.16 | 1,60,778 | 8,29,969 | PUC |
| 2010-11 | 20100507 | SINGAPORE | 73042390 | CASING SUB 5.500 IN 17.00 LB/FT SEAL LOCK HT SC BOX UP 4.500 IN 12.60 ETC. (| 5.00 | 1,17,454 | 5,87,270 | PUC |
| 2010-11 | 20100528 | CHINA P RP | 73045910 | CARBON STEEL SEAMLESS MOTHER PIPES [73MM X 5.16 MM X 5.55M X 150] | 5.00 | 58,602 | 2,93,011 | PUC |
| 2010-11 | 20100521 | CHINA P RP | 73049000 | CARBON STEEL SEAMLESS PIPES AS PER ASTM A106 GR.B/ASTM A53/API 5L | 5.00 | 42,759 | 2,13,796 | PUC |
| 2010-11 | 20100524 | CHINA P RP | 73049000 | CARBON STEEL SEAMLESS PIPES GRADE: EN 10210 S355 J2H | 4.00 | 68,983 | 2,75,931 | PUC |
| 2010-11 | 20100524 | CHINA P RP | 73041190 | CARBON STEEL SEAMLESS PIPES AS PER ASTM A106 GR.B/API 5L GRB (SIZE: 51MM X 11MM | 4.00 | 45,236 | 1,80,942 | PUC |
| 2010-11 | 20100519 | INDONESIA | 73049000 | COLD DRWAN SEAMLESS STEELTUBE ITEM NO. RGPP925 O.D. 13.40MM X I.D. 9.00MM GRA | 3.95 | 2,66,752 | 10,53,671 | PUC |
| 2010-11 | 20100503 | JAPAN | 73041910 | COLD DRAWN SEAMLESS STEEL TUBES(OD142.0MM X ID121.60MM X RL16 PCS, 3.057 M3) | 3.58 | 2,38,148 | 8,53,011 | PUC |
| 2010-11 | 20100511 | ITALY | 73063090 | SEAMLESS TUBE FOR HYD.CYLINDER (137X6.00X7000) | 2.97 | 1,12,323 | 3,33,236 | PUC |
| 2010-11 | 20100513 | ITALY | 73043129 | CDS TUBE FOR MECHANICAL APPLICATIONS 210.00X178.80 BLOCCATO VV TQ | 2.93 | 1,50,201 | 4,40,238 | PUC |
| 2010-11 | 20100522 | CHINA P RP | 73043119 | SEAMLESS CARBON STEEL AND ALLOY STEEL PIPES.OD 168.30 X 21.95 X R/L 6-6 -10 MTR | 2.85 | 1,08,648 | 3,09,972 | PUC |
| 2010-11 | 20100518 | CHINA P RP | 73043119 | SEAMLESS CARBON STEEL AND ALLOY STEEL PIPES.OD 168.30 X 32.00 X R/L OF 6-6.10MT | 2.58 | 63,826 | 1,64,825 | PUC |
| 2010-11 | 20100510 | JAPAN | 73045930 | SEAMLESS CARBON STEEL PIPES 219.1MM X 50.00MM X 6000MM | 2.50 | 58,346 | 1,46,042 | PUC |

**Import Data from DGCIS [All Countries PUC]
Apr 2009 to Jun 2012**

| Year | Date | Country | ITC-HS | Item-Des | Quantity (MT) | Price (Rs./MT) | Value (Rs) | PUC/ NPUC |
|---------|----------|-------------|----------|---|---------------|----------------|------------|--------------|
| 2010-11 | 20100510 | JAPAN | 73045930 | SEAMLESS CARBON STEEL PIPES 219.1MM X 50.00MM X 6000MM | 2.50 | 58,346 | 1,46,042 | PUC |
| 2010-11 | 20100528 | GERMANY | 73049000 | BR-63-810-RAW 82,5X12,5MM 9X810MM FIXLANG SEAMLESS STEEL TUBES | 2.36 | 1,84,855 | 4,36,343 | PUC |
| 2010-11 | 20100521 | SINGAPORE | 73042390 | CASING SUB 5.500 IN STC SC BOX UP 4.500IN 12.60 LB/FT SEAL LOCK HT PIN ETC. (| 2.00 | 1,83,664 | 3,67,327 | PUC |
| 2010-11 | 20100519 | JAPAN | 73041910 | NACE PIPE AND FITTINGS PL10MM X 3050X12000 MM (MATERIAL REQUIRE FOR ONGC PROJEC | 2.00 | 1,30,449 | 2,60,898 | PUC |
| 2010-11 | 20100528 | CHINA P RP | 73045910 | CARBON STEEL SEAMLESS MOTHER PIPES [73MM X 5.16 MM X 6.76M X 28] | 2.00 | 84,516 | 1,69,032 | PUC |
| 2010-11 | 20100529 | CHINA P RP | 73049000 | SEAMLESS CARBON STEEL PIPE API 5LB/ASTM A106B | 2.00 | 29,185 | 58,370 | PUC |
| 2010-11 | 20100505 | GERMANY | 73049000 | PIPE (SEAMIESS)76.1X12.5 D2/T2 (PARTS FOR STEEL PLANT) | 1.77 | 1,15,668 | 2,04,170 | PUC |
| 2010-11 | 20100503 | CHINA P RP | 73045910 | CS SEAMLESS TUBES (SIZE OD 38.1MMX4.00MM THK) SA210 GR A1 | 1.41 | 44,781 | 62,987 | PUC |
| 2010-11 | 20100519 | GERMANY | 73041910 | SEAMLESS STEEL PIPE IN ST52, DIN2448, WITH DIN EN 10204-3.1 RON 193,7X11 ST52 (| 1.19 | 64,687 | 76,971 | PUC |
| 2010-11 | 20100520 | JAPAN | 73049000 | SEAMLESS COLD DRAWN BEARING QUALITY STEEL TUBES SAE52100 62.65MM OD X 51.30MM I | 1.04 | 1,19,623 | 1,24,528 | PUC |
| 2010-11 | 20100511 | SAUDI ARAB | 73049000 | SECONDARY SECOND CARBON STEEL SEAMLESS/WELDED PIPES,MIXED THICKNESS MIXED LOT | 1.00 | 26,857 | 26,857 | PUC |
| 2010-11 | 20100514 | KUWAIT | 73049000 | SECONDARY DEFECTIVE CARBON STEEL SEAMLESS PIPE | 1.00 | 18,616 | 18,616 | PUC |
| 2010-11 | 20100514 | RUSSIA | 73049000 | SECONDARY & DEFECTIVE SEAMLESS CARBON STEEL PIPES | 1.00 | 17,027 | 17,027 | PUC |
| 2010-11 | 20100525 | JAPAN | 73049000 | SEAMLESS TUBE RGPS026 19.4(+/-0.05 X 11.5(+/-0.1)MM (FOR CAPTIVE CONSUMPTION) | 0.99 | 2,60,377 | 2,57,513 | PUC |
| 2010-11 | 20100514 | U ARAB EMTS | 73041990 | 273.1X12.70X6000 | 0.98 | 1,36,081 | 1,33,227 | PUC |
| 2010-11 | 20100518 | SAUDI ARAB | 73049000 | SECONDARY SECOND CARBON STEEL SEAMLESS/ WELDED PIPES MIXED THICKNESS MIXED LOT. | 0.70 | 22,476 | 15,733 | PUC |
| 2010-11 | 20100518 | SAUDI ARAB | 73049000 | SECONDARY SECOND CARBON STEEL SEAMLESS/ WELDED PIPES MIXED THICKNESS MIXED LOT. | 0.70 | 22,249 | 15,574 | PUC |
| 2010-11 | 20100511 | SAUDI ARAB | 73049000 | SECONDARY SECOND CARBON STEEL SEAMLESS/WELDED PIPES,MIXED THICKNESS MIXED LOT | 0.64 | 20,019 | 12,872 | PUC |
| 2010-11 | 20100510 | SAUDI ARAB | 73049000 | SECONDARY SECOND CARBON STEEL SEAMLESS/WELDED PIPES,MIXED THICKNESS MIXED LOT | 0.55 | 20,009 | 10,965 | PUC |
| 2010-11 | 20100521 | JAPAN | 73049000 | SEAMLESS TUBE RGPS026 19.4(+/-0.05) X 11.5(+/-0.1)MM (FOR CAPTIVE CONSUMPTION) | 0.50 | 2,60,377 | 1,30,449 | PUC |
| 2010-11 | 20100506 | SAUDI ARAB | 73049000 | SECONDARY SECOND CARBON STEEL SEAMLESS/WELDED PIPES,MIXED THICKNESS MIXED LOT | 0.39 | 20,374 | 7,946 | PUC |
| 2010-11 | 20100511 | SAUDI ARAB | 73049000 | SECONDARY SECOND CARBON STEEL SEAMLESS/WELDED PIPES,MIXED THICKNESS MIXED LOT | 0.39 | 20,374 | 7,946 | PUC |
| 2010-11 | 20100507 | CHINA P RP | 73043939 | HYDRAULIC CYLINDER TUBE 135/115 | 0.36 | 2,41,956 | 87,104 | PUC |
| 2010-11 | 20100506 | SAUDI ARAB | 73049000 | SECONDARY SECOND CABRON STEEL SEAMLESS/WELDED PIPES,MIXED THICKNESS MIXED LOT | 0.30 | 26,487 | 7,946 | PUC |
| 2010-11 | 20100505 | SAUDI ARAB | 73049000 | SECONDARY SECOND CARBON STEEL SEAMLESS/WELDED PIPES,MIXED THICKNESS MIXED LOT | 0.28 | 28,379 | 7,946 | PUC |
| 2010-11 | 20100518 | GERMANY | 73045910 | SEAMLESS C-MO ALLOY STEEL BOILER AND SUPERHEATER TUBES 101,600 MM X 8,800 MM | 0.26 | 92,026 | 24,102 | PUC |
| 2010-11 | 20100504 | SAUDI ARAB | 73049000 | SECONDARY SECOND CARBON STEEL SEAMLESS/WELDED PIPES,MIXED THICKNESS MIXED LOT | 0.26 | 30,562 | 7,946 | PUC |
| 2010-11 | 20100505 | SAUDI ARAB | 73049000 | SECONDARY SECOND CARBON STEEL SEAMLESS/WELDED PIPES,MIXED THICKNESS MIXED LOT | 0.26 | 30,562 | 7,946 | PUC |
| 2010-11 | 20100514 | SPAIN | 73045910 | 2 SCH.XXS SMLS PIPE A/SA 333 GR.6/API 5LX52 [[SEAMLESS PIPES OF ALLOY STEEL] | 0.24 | 1,62,901 | 39,422 | PUC |
| 2010-11 | 20100507 | BELGIUM | 73049000 | CARBON STEEL SECONDARY PIPES | 0.20 | 33,770 | 6,754 | PUC |
| 2010-11 | 20100506 | SAUDI ARAB | 73049000 | SECONDARY SECOND CARBON STEEL SEAMLESS/WELDED PIPES,MIXED THICKNESS MIXED LOT | 0.15 | 31,787 | 4,768 | PUC |
| 2010-11 | 20100503 | SAUDI ARAB | 73049000 | SECONDARY SECOND CARBON STEEL SEAMLESS/WELDED PIPES,MIXED THICKNESS MIXED LOT | 0.10 | 79,460 | 7,946 | PUC |
| 2010-11 | 20100521 | KUWAIT | 73049000 | SECONDARY CARBON STEEL/GALVANIZED PIPES MIXED LOT | 0.10 | 16,120 | 1,612 | PUC |
| 2010-11 | 20100529 | CHINA P RP | 73049000 | SEAMLESS CARBON STEEL PIPES API 5LB/ASTM A106B/A53B | 0.07 | 66,143 | 4,630 | PUC |
| 2010-11 | 20100526 | U S A | 73049000 | SECONDARY/DEFECTIVE CARBON STEEL SEAMLESS PIPE | 0.06 | 72,517 | 4,351 | PUC |
| 2010-11 | 20100507 | NETHERLAND | 73049000 | TUBE,PTFE 0.7 X 1.6MM | 0.06 | 1,29,982 | 7,149 | PUC |
| 2010-11 | 20100506 | SAUDI ARAB | 73049000 | SECONDARY SECOND CABRON STEEL SEAMLESS/WELDED PIPES,MIXED THICKNESS MIXED LOT | 0.05 | 1,58,920 | 7,946 | PUC |
| 2010-11 | 20100513 | U ARAB EMTS | 73049000 | CARBON STEEL PIPE SECONDARY DEFECTIVE | 0.04 | 20,200 | 808 | PUC |
| 2010-11 | 20100510 | CHINA P RP | 73049000 | PRIME CARBON STEEL SEAMLESS PIPE TO ASTM A106 GR B | 0.03 | 79,033 | 2,371 | PUC |
| 2010-11 | 20100529 | CHINA P RP | 73049000 | SEAMLESS CARBON STEEL PIPES API 5LB/ASTM A106B/A53B | 0.03 | 66,400 | 1,992 | PUC |
| 2010-11 | 20100529 | CHINA P RP | 73049000 | CARBON STEEL SEAMLESS PIPES STOCK LOT | 0.02 | 50,750 | 1,015 | PUC |

**Import Data from DGCIS [All Countries PUC]
Apr 2009 to Jun 2012**

| Year | Date | Country | ITC-HS | Item-Des | Quantity (MT) | Price (Rs./MT) | Value (Rs) | PUC/ NPUC |
|---------|----------|-------------|----------|---|---------------|----------------|--------------|--------------|
| 2010-11 | 20100506 | JAPAN | 73045910 | ALLOY STEEL SEAMLESS PIPES GRADE P9 | 0.01 | 1,10,643 | 1,549 | PUC |
| 2010-11 | 20100524 | FRANCE | 73049000 | SECONDARY CARBON STEEL SEAMLESS PIPES MIX SIZES | 0.01 | 1,10,750 | 886 | PUC |
| 2010-11 | 20100608 | CHINA P RP | 73041910 | PLAIN END SEAMLESS COUPLING STOCK SIZE: 8.500 ODX7.006 ID[31.434 MTS=295 MTRS | 15,586.92 | 13,160 | 20,51,18,888 | PUC |
| 2010-11 | 20100625 | CHINA P RP | 73041910 | PLAIN END SEAMLESS COUPLING STOCK SIZE:3.063 OD X2.177 ID[41.036MTS=262PCS [O | 2,010.08 | 23,022 | 4,62,75,219 | PUC |
| 2010-11 | 20100611 | CHINA P RP | 73041910 | PLAIN END SEMALESS COUPLING STOCK SIZE: 3.063 ODX2.177 ID[41.036 MTS=262 PCS | 2,010.08 | 23,022 | 4,62,75,216 | PUC |
| 2010-11 | 20100628 | CHINA P RP | 73049000 | SEAMLESS STEEL PIPES M.S. ASTM A106 GR B SIZE 355.6X11.13*6` | 1,397.00 | 31,087 | 4,34,27,978 | PUC |
| 2010-11 | 20100623 | CHINA P RP | 73049000 | SEAMLESS PIPE, BE, 10 INCH, B36.10, SCH 40, ASTM A106 GR.B | 850.75 | 48,348 | 4,11,32,569 | PUC |
| 2010-11 | 20100603 | FRANCE | 73049000 | HOT FINISHED SEAMLESS STEEL TUBES/PIPES SA 210 C | 534.00 | 63,050 | 3,36,68,800 | PUC |
| 2010-11 | 20100617 | CHINA P RP | 73041910 | PLAIN END SEAMLESS PIPES 2-7/8 OD (509.615 MTS=54983.96 METERS (OR) 5750 PCS) | 504.57 | 45,188 | 2,28,00,046 | PUC |
| 2010-11 | 20100608 | ITALY | 73069090 | SEAMLESS COLD DRAWN TUBES (185.00 X **** X 16.50 MM) | 500.84 | 23,778 | 1,19,08,794 | PUC |
| 2010-11 | 20100615 | CHINA P RP | 73045930 | SEAMLESS STEEL GAS CYLINDER TUBE 232MM X 5.4MM (GRADE: 37MN) | 491.00 | 44,956 | 2,20,73,450 | PUC |
| 2010-11 | 20100608 | GERMANY | 73043119 | SEAMLESS TUBE HOLLOWS DIN 1630 GRADE : 37.4 SIZE (30,000 X 3,000 MM) (RL 10,00 | 489.69 | 45,696 | 2,23,77,239 | PUC |
| 2010-11 | 20100601 | FRANCE | 73049000 | HOT FINISHED SEAMLESS STEEL TUBES/PIPES SA 210 C (16612.890MTR) | 443.00 | 78,557 | 3,48,00,771 | PUC |
| 2010-11 | 20100614 | CHINA P RP | 73041910 | PLAIN END SEAMLESS PIPES 3-1/2 OD (352.036 MTS = 26310.35METERS/ (OR) 2776 PC | 388.56 | 43,265 | 1,68,11,234 | PUC |
| 2010-11 | 20100614 | CHINA P RP | 73049000 | CARBON SEAMLESS STEEL PIPE API 5L/ASTM A106 GR.B | 346.50 | 30,624 | 1,06,11,110 | PUC |
| 2010-11 | 20100623 | CHINA P RP | 73043939 | SEAMLESS ALLOY STEEL TUBES GR.ASME SA 210 GR.A1 SIZE (MM) : 44.5 OD X 4.5 WT | 334.00 | 44,123 | 1,47,37,156 | PUC |
| 2010-11 | 20100621 | CHINA P RP | 73041910 | COLDDRAWNCARBON STEEL SEAMLESS TUBES(MOTHERHOLLOW)DIN17175ST35.8 WITHOUTPICKING | 305.00 | 42,449 | 1,29,46,963 | PUC |
| 2010-11 | 20100622 | CHINA P RP | 73049000 | CARBON STEEL SEAMLESS PIPE ASTM A106 GR.B/API 5L GR.B | 273.87 | 29,243 | 80,08,817 | PUC |
| 2010-11 | 20100629 | CHINA P RP | 73049000 | SEAMLESS PIPES (ASTM A106 GR.B) (273.0 X 9.27 X 5800-6000 MM) | 271.00 | 39,939 | 1,08,23,349 | PUC |
| 2010-11 | 20100614 | CHINA P RP | 73049000 | SEAMLESS CARBON STEEL PIPES API 5L/ASTM A106/A53 GR.B (76MM X 4MM) | 266.00 | 39,135 | 1,04,09,932 | PUC |
| 2010-11 | 20100609 | BELGIUM | 73069090 | SECONDARY PIPES RUSTED AND UNUSED | 245.00 | 23,951 | 58,68,007 | PUC |
| 2010-11 | 20100607 | U S A | 73043911 | SECONDARY DEFECTIVE MS SEAMLESS PIPES | 244.00 | 25,423 | 62,03,252 | PUC |
| 2010-11 | 20100629 | ITALY | 73069090 | SEAMLESS COLD DRAWN TUBES (SIZE: 130.00 X 100.00 X **** MM) | 233.12 | 34,353 | 80,08,481 | PUC |
| 2010-11 | 20100609 | SWEDEN | 73049000 | SECONDARY / DEFECTIVE M.S.PIPE | 217.00 | 25,902 | 56,20,746 | PUC |
| 2010-11 | 20100605 | CHINA P RP | 73045910 | CARBON SEAMLESS STEEL TUBES ASME SA210M GR.A1 38.1 OD X 4.06 MIN WT X 11000 LG | 214.41 | 46,875 | 1,00,50,537 | PUC |
| 2010-11 | 20100622 | CHINA P RP | 73049000 | SEAMLESS PIPE AS PER API 5L GR.B/ASTM A106 GR.B/ASTM A106 GR.B, OD (MM)457.2, W | 212.00 | 41,171 | 87,28,161 | PUC |
| 2010-11 | 20100604 | CHINA P RP | 73045920 | CARBON SEAMLESS STEEL PIPE DIA 133 MM X 4.5 MM X 9 M/6 M/3 IN LENGTH 133MMX4.5M | 208.00 | 49,981 | 1,03,96,118 | PUC |
| 2010-11 | 20100628 | CHINA P RP | 73049000 | CARBON STEEL SEAMLESS PIPES CONFIRMING TI ASTM A106 GRADEB | 208.00 | 30,087 | 62,58,114 | PUC |
| 2010-11 | 20100628 | CHINA P RP | 73043119 | CARBON STEEL SEAMLESS PIPES [8X80X5800MM] | 207.00 | 29,223 | 60,49,141 | PUC |
| 2010-11 | 20100624 | CHINA P RP | 73043919 | CARBON STEEL SEAMLESS HOT FINISHED MOTHER PIPES GRADE DIN 17175 ST APL 5L GR.B | 205.00 | 41,703 | 85,49,151 | PUC |
| 2010-11 | 20100614 | CHINA P RP | 73069090 | SECONDARY CARBON STEEL SEAMLESS PIPES API5L / ASTM A 106 GR. B | 205.00 | 21,571 | 44,22,044 | PUC |
| 2010-11 | 20100616 | CHINA P RP | 73045910 | SEAMLESS ALLOY STEEL TUBES GRADE SA210A1 76.2*6.35*5.5M & 76.2*6.35*10M | 204.73 | 30,599 | 62,64,561 | PUC |
| 2010-11 | 20100622 | U S A | 73042390 | OILFIELD EQUIPMENT/DRILL PIPE, 5-1/2 IN OD, GRADE S135 | 200.88 | 1,45,879 | 2,93,04,105 | PUC |
| 2010-11 | 20100621 | CHINA P RP | 73049000 | CARBON STEEL SEAMLESS TUBES AS PER DIN 17175 ST 35.8 SIZE 25.4X2.77X11800 MM (2 | 200.00 | 46,705 | 93,41,012 | PUC |
| 2010-11 | 20100621 | BELGIUM | 73069090 | SECONDARY PIPES RUSTED AND UNUSED | 199.00 | 23,939 | 47,63,818 | PUC |
| 2010-11 | 20100610 | QATAR | 73043919 | CARBON STEEL SEAMLESS TUBES TO ASTM A 179 FULLY KILLED (SIZE 25.40MM OD X 2.55M | 196.00 | 42,996 | 84,27,166 | PUC |
| 2010-11 | 20100607 | CHINA P RP | 73049000 | PRIME CARBON STEEL SEAMLESS PIPE ASTM 106 GR.B | 184.00 | 29,723 | 54,68,988 | PUC |
| 2010-11 | 20100611 | CHINA P RP | 73045930 | SEAMLESS STEEL GAS CYLINDER TUBE 232 MM X 5.4 MM | 180.00 | 45,041 | 81,07,311 | PUC |
| 2010-11 | 20100608 | ITALY | 73069090 | SEAMLESS COLD DRAWN TUBES (180.00 X 160.00 X **** MM) | 176.94 | 54,499 | 96,43,056 | PUC |
| 2010-11 | 20100628 | U ARAB EMTS | 73062919 | SECONDARY SECOND CHOICE CARBON STEEL PIPES | 174.00 | 23,039 | 40,08,835 | PUC |
| 2010-11 | 20100615 | CHINA P RP | 73045110 | BEARING QUALITY STEEL TUBE SAE-52100 AND SUJ-3 SIZE 62.7X4.9MM | 171.00 | 72,794 | 1,24,47,690 | PUC |

**Import Data from DGCIS [All Countries PUC]
Apr 2009 to Jun 2012**

| Year | Date | Country | ITC-HS | Item-Des | Quantity (MT) | Price (Rs./MT) | Value (Rs) | PUC/ NPUC |
|---------|----------|-------------|----------|---|---------------|----------------|-------------|--------------|
| 2010-11 | 20100623 | U S A | 73043911 | SECONDARY DEFECTIVE MS SEAMLESS PIPE | 165.00 | 25,234 | 41,63,543 | PUC |
| 2010-11 | 20100615 | CHINA P RP | 73045110 | BEARING QUALITY STEEL TUBE SAE-52100 SIZE 49.68X34.65MM | 163.95 | 56,735 | 93,01,640 | PUC |
| 2010-11 | 20100625 | BELGIUM | 73049000 | SECONDARY CARBON STEEL SEAMLESS PIPES | 162.00 | 23,475 | 38,03,022 | PUC |
| 2010-11 | 20100608 | BELGIUM | 73049000 | SECONDARY CARBON SEAMLESS PIPE | 155.00 | 20,641 | 31,99,302 | PUC |
| 2010-11 | 20100609 | CHINA P RP | 73049000 | PRIME CARBON STEEL SEAMLESS PIPES GRADE : ASTM A 106 GR.B / API5L GR.B | 153.00 | 33,663 | 51,50,459 | PUC |
| 2010-11 | 20100626 | SAUDI ARAB | 73049000 | SECONDARY SECOND CARBON STEEL SEAMLESS / WELDED PIPES & PIPE FITTINGS MIXED TH | 149.00 | 17,042 | 25,39,201 | PUC |
| 2010-11 | 20100618 | CHINA P RP | 73041910 | CARBON SEAMLESS STEEL TUBES PIPE ASTM A 106 GR-B 180MMX20MM | 149.00 | 35,574 | 53,00,545 | PUC |
| 2010-11 | 20100622 | CHINA P RP | 73045110 | BEARING QUALITY STEEL TUBE SAE-52100 SIZE:90.25X75.79MM | 144.09 | 59,406 | 85,59,955 | PUC |
| 2010-11 | 20100610 | CONGO P REP | 73049000 | SECONDARY CARBON STEEL SEAMLESS PIPE | 141.00 | 24,748 | 34,89,475 | PUC |
| 2010-11 | 20100624 | U S A | 73043911 | SECONDARY DEFECTIVE MS SEAMLESS PIPE | 140.00 | 25,647 | 35,90,592 | PUC |
| 2010-11 | 20100622 | ITALY | 73049000 | SECONDARY CARBON STEEL SEAMLESS PIPES MIX SIZES | 139.00 | 24,030 | 33,40,116 | PUC |
| 2010-11 | 20100628 | CHINA P RP | 73043119 | CARBON STEEL SEAMLESS PIPES [245X25X5800MM] | 135.00 | 29,634 | 40,00,566 | PUC |
| 2010-11 | 20100622 | CHINA P RP | 73049000 | CARBON STEEL SEAMLESS PIPES, EX-STOCK | 130.00 | 26,440 | 34,37,197 | PUC |
| 2010-11 | 20100622 | CHINA P RP | 73049000 | CARBON STEEL SEAMLESS PIPES, EX-STOCK | 130.00 | 26,439 | 34,37,066 | PUC |
| 2010-11 | 20100611 | U S A | 73043911 | SECONDARY DEFECTIVE MS SEAMLESS PIPE | 128.00 | 26,169 | 33,49,669 | PUC |
| 2010-11 | 20100621 | CHINA P RP | 73042390 | DRILL PIPES-3495.89MTR(OILFIELD PURPOSE)API S135 IEU 5 ODX19.50LBSXR2 DETAILS A | 126.00 | 1,84,319 | 2,32,24,214 | PUC |
| 2010-11 | 20100623 | CHINA P RP | 73043939 | SEAMLESS ALLOY STEEL TUBES GR.ASME SA210 GR.A1 SIZE(MM): 44.5 OD X 4.5WT X 9650 | 125.00 | 44,639 | 55,79,854 | PUC |
| 2010-11 | 20100615 | CHINA P RP | 73045110 | BEARING QUALITY STEEL TUBE SAE-52100 SIZE 49.68X34.65MM | 123.34 | 57,704 | 71,16,962 | PUC |
| 2010-11 | 20100610 | FRANCE | 73049000 | SEAMLESS STEEL TUBES/PIPES SA210 C (2201.500 MTR) | 123.00 | 93,948 | 1,15,55,570 | PUC |
| 2010-11 | 20100626 | SAUDI ARAB | 73049000 | SECONDARY SECOND CARBON STEEL SEAMLESS / WELDED PIPES & PIPE FITTINGS MIXED TH | 123.00 | 17,031 | 20,94,803 | PUC |
| 2010-11 | 20100617 | CHINA P RP | 73049000 | CARBON STEEL SEAMLESS TUBES AS PER DIN 17175 ST 35.8 SIZE 27MM X 3 MM X 10 - 12 | 123.00 | 41,120 | 50,57,780 | PUC |
| 2010-11 | 20100622 | CHINA P RP | 73045110 | SEAMLESS ALLOY STEEL TUBES GR. ASME SA210 GR.A1 SIZE(MM): 44.5 OD X 4.5 WT X 68 | 120.00 | 45,072 | 54,08,621 | PUC |
| 2010-11 | 20100625 | CHINA P RP | 73041910 | CARBON STEEL SEAMLESS PIPES API5L/ASTM A106/A53 GR.B. 88.9MMX5.49MMX5-5.8MTRS 8 | 119.00 | 40,393 | 48,06,778 | PUC |
| 2010-11 | 20100615 | CHINA P RP | 73041910 | SEAMLESS PIPES AS PER ASTM A 106 GR.B/API 5 L GT.B 200NBXSCH.120 200NBXSCH.100 | 118.00 | 44,378 | 52,36,548 | PUC |
| 2010-11 | 20100625 | CHINA P RP | 73045110 | BEARING QUALITY STEEL TUBE SAE-52100 SIZE 21.4X3.5MM | 115.00 | 71,068 | 81,72,821 | PUC |
| 2010-11 | 20100601 | SWEDEN | 73045110 | SECONDARY AND DEFECTIVE SEAMLESS STEEL TUBES (ALLOY), GRADE: ST 52-3, SIZE: THI | 111.00 | 22,662 | 25,15,448 | PUC |
| 2010-11 | 20100604 | U S A | 73049000 | SECONDARY SECOND CHOICE CARBON STEEL SEAMLESS/WELDED PIPES | 110.00 | 16,784 | 18,46,230 | PUC |
| 2010-11 | 20100622 | CHINA P RP | 73041110 | SEAMLESS CARBON STEEL PIPE 37MN 267MM X 7.0MM X 5900/7850MM | 110.00 | 44,418 | 48,85,942 | PUC |
| 2010-11 | 20100610 | CHINA P RP | 73069090 | SEAMLESS STEEL TUBES 6301IR (BEARING QUALITY) | 108.29 | 69,863 | 75,65,450 | PUC |
| 2010-11 | 20100628 | GERMANY | 73049000 | CARBON STEEL SECONDARY SECOND CHOICE SEAMLESS PIPE | 108.00 | 28,394 | 30,66,581 | PUC |
| 2010-11 | 20100611 | CHINA P RP | 73045930 | SEAMLESS STEEL GAS CYLINDER TUBE 232 MM X 5.4 MM | 106.00 | 46,770 | 49,57,613 | PUC |
| 2010-11 | 20100625 | CHINA P RP | 73041910 | SEAMLESS STEEL PIPE ASTM A 106 GR-B 114X12 MM | 105.00 | 42,197 | 44,30,670 | PUC |
| 2010-11 | 20100608 | CHINA P RP | 73049000 | COLD DRAWN CARBON STEEL SEAMLESS PIPES ASTM A 106 | 105.00 | 30,554 | 32,08,164 | PUC |
| 2010-11 | 20100608 | CHINA P RP | 73049000 | CARBON STEEL SEAMLESS PIPES API 5L/ASTM A106 GRADE B | 103.00 | 29,386 | 30,26,774 | PUC |
| 2010-11 | 20100607 | CHINA P RP | 73043911 | COLD DRAWN STEEL SEAMLESS TUBES ASTM A106 GR B/APL 5L GR B , 55 MM OD X 3.7 MM | 102.62 | 41,271 | 42,35,143 | PUC |
| 2010-11 | 20100623 | BELGIUM | 73049000 | SECONDARY DEFECTIVE CARBON STEEL SEAMLESS PIPE | 102.00 | 23,950 | 24,42,876 | PUC |
| 2010-11 | 20100625 | U ARAB EMTS | 73049000 | CARBON STEEL PIPE (SECONDARY & DEFECTIVE)-PSI CFT NO.10/GCC/4048,DT:26/05/2010 | 102.00 | 21,909 | 22,34,742 | PUC |
| 2010-11 | 20100618 | CHINA P RP | 73049000 | COLD DRAWN CARBON STEEL SEAMLESS PIPESGRADE ASTM A106 | 101.00 | 32,084 | 32,40,454 | PUC |
| 2010-11 | 20100626 | CHINA P RP | 73043111 | CARBON STEEL SEAMLESS PIPES AS PER ASTM A 106 GR B/API 5L GR-B (4 XSCH80X5.8MTR | 99.76 | 38,411 | 38,31,952 | PUC |
| 2010-11 | 20100628 | GERMANY | 73041110 | HOT FINISHED SEAMLESS STEEL TUBES,DIN 17121,06.84/ GRADE : ST 52-3 (177.8 X 25. | 98.00 | 81,565 | 79,93,417 | PUC |
| 2010-11 | 20100623 | CHINA P RP | 73049000 | CARBON STEEL SEAMLESS PIPE ASTM A 106 GR B / A 53 GR B / API 5L GR B SIZE 219. | 98.00 | 39,101 | 38,31,873 | PUC |

**Import Data from DGCIS [All Countries PUC]
Apr 2009 to Jun 2012**

| Year | Date | Country | ITC-HS | Item-Des | Quantity (MT) | Price (Rs./MT) | Value (Rs) | PUC/ NPUC |
|---------|----------|-------------|----------|---|---------------|----------------|-------------|--------------|
| 2010-11 | 20100605 | CHINA P RP | 73045910 | CARBON SEAMLESS STEEL TUBES ASME SA210M GR.A1 38.1 OD X 4.50 MIN WT X 11000LG | 97.59 | 51,663 | 50,41,684 | PUC |
| 2010-11 | 20100604 | CHINA P RP | 73045920 | SEAMLESS STEEL PIPES GRADE ST 52.3 DIN1629 DIMENSION-133MMX4MMX6000MM | 97.00 | 49,219 | 47,74,290 | PUC |
| 2010-11 | 20100602 | FRANCE | 73049000 | SECONDARY CARBON STEEL SEAMLESS PIPES MIX SIZE | 96.00 | 22,071 | 21,18,847 | PUC |
| 2010-11 | 20100616 | GERMANY | 73049000 | CARBON STEEL SEAMLESS PIPE (SECONDARY/DEFECTIVE) | 95.00 | 23,773 | 22,58,466 | PUC |
| 2010-11 | 20100601 | CHINA P RP | 73043911 | SEAMLESS STEEL TUBE | 94.60 | 54,017 | 51,10,030 | PUC |
| 2010-11 | 20100622 | U S A | 73042390 | OILWELL SUPPLIES/11 JOINT ECCN EAR99/NLR DRILLPIPE, 5-1/2 IN OD GRADE S135 R-2 | 91.80 | 2,83,895 | 2,60,62,128 | PUC |
| 2010-11 | 20100601 | CHINA P RP | 73049000 | OIL WELL SUPPLIES : SLOTTED CASINGS - 5 XL | 89.00 | 1,15,052 | 1,02,39,619 | PUC |
| 2010-11 | 20100610 | CHINA P RP | 73045110 | C.S.SEAMLESS PIPES-GRADE:ASME/SA 106 GR B.SIZE:ODXWTXLENGTH508 MM X 26.19 MM | 89.00 | 56,154 | 49,97,673 | PUC |
| 2010-11 | 20100625 | CHINA P RP | 73049000 | SEAMLESS CARBON STEEL PIPES API 5L/ASTM A106/A53 GR.B 219.1MM X 6.35MM | 85.00 | 37,588 | 31,94,943 | PUC |
| 2010-11 | 20100610 | CHINA P RP | 73045110 | BEARING QUALITY STEEL TUBE SAE-52100 SIZE:80.30X67.27MM | 84.34 | 57,636 | 48,61,029 | PUC |
| 2010-11 | 20100629 | CHINA P RP | 73049000 | OIL WELL SUPPLIES : SLOTTED CASINGS - 5 XL | 81.00 | 1,16,793 | 94,60,228 | PUC |
| 2010-11 | 20100622 | U K | 73049000 | SECONDARY SURPLUS CARBON STEEL PIPES | 80.00 | 24,587 | 19,66,922 | PUC |
| 2010-11 | 20100609 | U K | 73049000 | SECONDARY SECOND CHOICE CARBON STEEL SEAMLESS/WELDED PIPES | 80.00 | 16,829 | 13,46,304 | PUC |
| 2010-11 | 20100604 | CHINA P RP | 73045110 | BEARING QUALITY STEEL,TUBE SAE-52100 AND SUJ-3 SIZE:28.6X4.65MM | 80.00 | 75,196 | 60,15,640 | PUC |
| 2010-11 | 20100609 | CHINA P RP | 73045110 | BEARING QUALITY STEEL TUBE SAE-52100 AND SUJ-3 SIZE:90.9X7.95MM | 77.00 | 74,882 | 57,65,883 | PUC |
| 2010-11 | 20100608 | CHINA P RP | 73049000 | CARBON STEEL SEAMLESS PIPES ASTM A106 GR.B | 77.00 | 42,270 | 32,54,820 | PUC |
| 2010-11 | 20100617 | CHINA P RP | 73049000 | CARBON STEEL SEAMLESS PIPES STOCKLOT | 75.00 | 27,107 | 20,33,051 | PUC |
| 2010-11 | 20100528 | CHINA P RP | 73043119 | COLD DRAWN CARBON STEEL SEAMLESS TUBE(MOTHER HOLLOW)DIN17175 ST35.8 W/O PICKLIN | 74.95 | 39,222 | 29,39,766 | PUC |
| 2010-11 | 20100615 | CHINA P RP | 73045110 | BEARING QUALITY STEEL TUBE SAE-52100, 6203RD IR 25.2 X 4.5 MM | 73.00 | 73,339 | 53,53,744 | PUC |
| 2010-11 | 20100628 | CHINA P RP | 73042990 | NON ALLOY STEEL SEAMLESS PIPES API 5L GRADE B 141.30MMX9.53MM | 71.00 | 42,341 | 30,06,238 | PUC |
| 2010-11 | 20100609 | CHINA P RP | 73049000 | CARBON STEEL SEAMLESS PIPES API5L/ ASTM A106/A53 GR.B 219.1MMX23.01MM | 71.00 | 38,819 | 27,56,183 | PUC |
| 2010-11 | 20100623 | CHINA P RP | 73041990 | SEAMLESS CARBON STEEL PIPES AS PER ASTM A106 GR.B/API 5L GR.B/API 5L GR.B 97X8. | 71.00 | 35,157 | 24,96,115 | PUC |
| 2010-11 | 20100604 | U S A | 73049000 | SECONDARY SECOND CHOICE CARBON STEEL SEAMLESS/WELDED PIPES | 70.00 | 21,636 | 15,14,538 | PUC |
| 2010-11 | 20100622 | CHINA P RP | 73049000 | SEAMLESS CARBON STEEL PIPES (API 5L / ASTM A106 / ASTM A53 GRADE.B) (219.1MM X | 65.00 | 37,525 | 24,39,131 | PUC |
| 2010-11 | 20100609 | CHINA P RP | 73049000 | CARBON STEEL SEAMLESS PIPE ASTM A106/A53/API5L GRADE B | 64.00 | 32,060 | 20,51,808 | PUC |
| 2010-11 | 20100625 | CHINA P RP | 73049000 | SEAMLESS CARBON STEEL PIPES API 5L/ASTM A106/A53 GR.B 219.1MM X 8.18MM | 63.00 | 37,144 | 23,40,095 | PUC |
| 2010-11 | 20100604 | CHINA P RP | 73049000 | CARBON STEEL SEAMLESS PIPE AS PER API 5L/ASTM A53/106GR.B. | 63.00 | 32,035 | 20,18,184 | PUC |
| 2010-11 | 20100618 | CHINA P RP | 73049000 | CARBON STEEL SEAMLESS PIPES ASTM A106 GR.B / API 5L GR.B SIZE 4 INCHE X SCH 40 | 61.00 | 37,568 | 22,91,632 | PUC |
| 2010-11 | 20100602 | U S A | 73049000 | STOCK LOTS OF CARBON STEEL BARS | 57.00 | 26,590 | 15,15,625 | PUC |
| 2010-11 | 20100628 | U S A | 73049000 | CARBON STEEL PIPES (SECONDARY DEFECTIVE) NON ALLOY. | 57.00 | 23,128 | 13,18,294 | PUC |
| 2010-11 | 20100629 | CHINA P RP | 73043911 | READY TO HONED TUBES (IDXOD) 140X165MM | 53.85 | 16,848 | 9,07,190 | PUC |
| 2010-11 | 20100621 | JAPAN | 73049000 | SECONDARY CARBON STEEL WELDED/SEAMLESS PIPES | 53.00 | 21,250 | 11,26,231 | PUC |
| 2010-11 | 20100616 | CHINA P RP | 73045910 | SEAMLESS ALLOY STEEL TUBES GRADE T 11 44.45*4.06*11M GRADE T91 44.45*5.6*11M | 52.42 | 74,314 | 38,95,632 | PUC |
| 2010-11 | 20100610 | CHINA P RP | 73045110 | SEMLSS STEEL PIPE ASTM A106 GRADE-B 32.0MM (O/D) X 18MM (I/D) X4.2 MTR LEN | 52.00 | 43,765 | 22,75,770 | PUC |
| 2010-11 | 20100623 | U ARAB EMTS | 73049000 | USED M.S.SEAMLESS PIPES OF VARIOUS THICKNESS & SIZES | 51.00 | 33,952 | 17,31,527 | PUC |
| 2010-11 | 20100622 | SWEDEN | 73045110 | SECONDARY AND DEFECTIVE SEAMLESS STEEL TUBES (ALLOY), GRADE: ST 52-3, SIZE: THI | 51.00 | 33,172 | 16,91,786 | PUC |
| 2010-11 | 20100603 | UKRAINE | 73049000 | SECONDARY CARBON STEEL SEAMLESS PIPES IN MIXED SIZES, LENGTHS AND UNFINISHED E | 51.00 | 27,229 | 13,88,691 | PUC |
| 2010-11 | 20100621 | SAUDI ARAB | 73049000 | SECONDARY SECOND CARBON STEEL PIPE FITTINGS MIXED THICKNESS MIXED LOT. | 51.00 | 24,618 | 12,55,504 | PUC |
| 2010-11 | 20100605 | CHINA P RP | 73045910 | CARBON SEAMLESS STEEL TUBES ASME SA210M GR.A1 38.10 OD X 3.66 MIN WT X 11000 LG | 50.98 | 67,696 | 34,51,134 | PUC |
| 2010-11 | 20100618 | CHINA P RP | 73041910 | SEAMLESS STEEL PIPES ASTM A 106 GR.B (AS PER INVOICE) | 50.00 | 33,827 | 16,91,330 | PUC |
| 2010-11 | 20100617 | CHINA P RP | 73049000 | CARBON SEAMLESS STEEL PIPE API 5L/ASTM A53/106 GR.B | 50.00 | 31,624 | 15,81,215 | PUC |

**Import Data from DGCIS [All Countries PUC]
Apr 2009 to Jun 2012**

| Year | Date | Country | ITC-HS | Item-Des | Quantity (MT) | Price (Rs./MT) | Value (Rs) | PUC/ NPUC |
|---------|----------|-------------|----------|---|---------------|----------------|-------------|--------------|
| 2010-11 | 20100528 | CHINA P RP | 73041990 | SCONDRY DEFECTIVE M S PIPE OF VARIOUS SIZE & LENGTH, | 50.00 | 19,083 | 9,54,125 | PUC |
| 2010-11 | 20100618 | CHINA P RP | 73043919 | CARBON STEEL SEAMLESS TUBES TO ASTM A106/ API 5L GR B (SIZE O D 26.7 MM X W.T | 49.54 | 42,396 | 21,00,248 | PUC |
| 2010-11 | 20100629 | CANADA | 73049000 | SECONDARY DEFECTIVE NON ALLOY STEEL BRIGHT ROUND BARS | 49.00 | 33,442 | 16,38,675 | PUC |
| 2010-11 | 20100604 | U ARAB EMTS | 73049000 | CARBON STEEL SEAMLESS PIPE SECONDARY SECOND CHOICE | 49.00 | 25,171 | 12,33,403 | PUC |
| 2010-11 | 20100609 | GERMANY | 73062919 | SECONDARY SECOND CHOICE CARBON SEAMLESS STEEL PIPES | 49.00 | 22,600 | 11,07,383 | PUC |
| 2010-11 | 20100618 | CHINA P RP | 73066100 | HOT ROLLED TUBES SIZE:100X50X2.0MM | 49.00 | 35,229 | 17,26,237 | PUC |
| 2010-11 | 20100617 | CHINA P RP | 73044900 | COLD DRAWN CARBON S.S.TUBES AS PER A106 GRADE B 21.3 MM ODX3.4MMWT.MINXLENGTH B | 48.00 | 49,352 | 23,68,907 | PUC |
| 2010-11 | 20100624 | CHINA P RP | 73043119 | SEAMLESS STEEL TUBE 90MMX10 MM X 5800 MM | 48.00 | 42,534 | 20,41,616 | PUC |
| 2010-11 | 20100622 | GERMANY | 73049000 | SECONDARY CARBON STEEL SEAMLESS PIPES MIXED SIZE. | 47.00 | 21,977 | 10,32,907 | PUC |
| 2010-11 | 20100602 | CHINA P RP | 73041990 | SEAMLESS CARBON STEEL PIPES AS PER ASTM A106 GR.B/API 5L GR.B 97X8.5X5800MM | 47.00 | 35,516 | 16,69,257 | PUC |
| 2010-11 | 20100630 | CHINA P RP | 73041110 | SEAMLESS CARBON STEEL TUBES CONFORMING TOSA 210GRAI TUBE OD76.2X5MM SIZE :7270 | 46.00 | 58,826 | 27,05,983 | PUC |
| 2010-11 | 20100628 | CHINA P RP | 73049000 | SEAMLESS CARBON STEEL PIPES API 5L/ASTM A106/A53 GR.B (18MM X3MM) | 46.00 | 48,466 | 22,29,428 | PUC |
| 2010-11 | 20100607 | CHINA P RP | 73049000 | COLD DRAWN SEAMLESS STEEL TUBE BK,5-5.8 METER 30.0MMX6.8MM (O.DXW.T)-A106B(#20) | 46.00 | 43,819 | 20,15,652 | PUC |
| 2010-11 | 20100610 | ITALY | 73049000 | SECONDARY CARBON STEEL SEAMLESS & WELDED PIPES MIXED | 45.00 | 26,516 | 11,93,236 | PUC |
| 2010-11 | 20100618 | UKRAINE | 73049000 | SECONDARY CARBON STEEL SEAMLESS PIPES IN MIXED SIZES | 44.00 | 24,202 | 10,64,870 | PUC |
| 2010-11 | 20100626 | CHINA P RP | 73049000 | CARBON STEEL SEAMLESS PIPES- 219.1MM X 8.18MM | 44.00 | 37,977 | 16,70,981 | PUC |
| 2010-11 | 20100605 | CHINA P RP | 73045910 | CARBON SEAMLESS STEEL TUBES ASME SA210M GR.A1 44.45 OD X 4.06 MIN WT X 11000 LG | 43.79 | 46,839 | 20,50,996 | PUC |
| 2010-11 | 20100628 | CHINA P RP | 73049000 | CARBON SEAMLESS STEEL PIPES | 42.04 | 34,548 | 14,52,213 | PUC |
| 2010-11 | 20100605 | JAPAN | 73049000 | CARBON STEEL PIPES (SECONDARY DEFECTIVE) NON ALLOY. | 42.00 | 22,753 | 9,55,642 | PUC |
| 2010-11 | 20100617 | CHINA P RP | 73045110 | BEARING QUALITY STEEL TUBE SAE-52100 SIZE 36.92X24.78MM | 40.93 | 57,101 | 23,36,896 | PUC |
| 2010-11 | 20100604 | CHINA P RP | 73049000 | CARBON STEEL SEAMLESS PIPES AS PER API 5L/ASTM A53/106 GR.B | 40.00 | 32,115 | 12,84,589 | PUC |
| 2010-11 | 20100614 | MALAYSIA | 73049000 | CARBON STEEL SEAMLESS PIPES STOCK LOT | 39.00 | 24,559 | 9,57,813 | PUC |
| 2010-11 | 20100621 | CHINA P RP | 73043119 | SEAMLESS CARBON STEEL PIPES (API 5L/ASTM A106 GR.B) 273.1 MMX 6.35 MM | 39.00 | 42,060 | 16,40,332 | PUC |
| 2010-11 | 20100611 | JAPAN | 73043911 | SEAMLESS CS PIPES (ASTM A106 GR.B) SIZE: 2 | 38.69 | 1,01,514 | 39,27,323 | PUC |
| 2010-11 | 20100614 | U S A | 73049000 | STOCK LOT OF C.S.BARS | 38.00 | 26,698 | 10,14,539 | PUC |
| 2010-11 | 20100608 | CHINA P RP | 73045110 | STOCK OF SEAMLESS CARBON STEEL PIPE - GRADE:ASTM A106/API 5L GR.B WITH IBR FOR | 38.00 | 39,347 | 14,95,184 | PUC |
| 2010-11 | 20100531 | CHINA P RP | 73041110 | CARBON SEAMLESS STEEL TUBES ASTM A53 GRADE B 33.4 X 3.38 X 5791 MM | 37.37 | 42,933 | 16,04,333 | PUC |
| 2010-11 | 20100629 | JAPAN | 73049000 | STOCK LOT OF ALLOY STEEL ROUND BARS | 37.00 | 36,663 | 13,56,548 | PUC |
| 2010-11 | 20100608 | CHINA P RP | 73045110 | BEARING QUALITY STEEL TUBE SAE-52100 (6203 OR 40.6*4.0MM) | 36.00 | 78,268 | 28,17,630 | PUC |
| 2010-11 | 20100607 | CHINA P RP | 73042990 | LONG SEAMLESS PIPES 133 DIA X 4 THK X 6000 MM. LONGQUANTITY 28 BUNDLES/480PIECE | 36.00 | 54,709 | 19,69,506 | PUC |
| 2010-11 | 20100531 | CHINA P RP | 73045110 | STEEL TUBE DIA 4.76 0.60MM WITH COPPER COATED | 33.87 | 61,251 | 20,74,380 | PUC |
| 2010-11 | 20100628 | ITALY | 73043911 | COLD DRAWN SEAMLESS STEEL TUBE 105.00 X7.50 X 1.00.00E355 | 33.73 | 86,244 | 29,09,400 | PUC |
| 2010-11 | 20100604 | CHINA P RP | 73043919 | CARBON STEEL SEAMLESS TUBES TO ASTM A 106/API 5 L GR B(SIZE60.3 MM OD X 4.1 MM | 33.00 | 41,630 | 13,73,774 | PUC |
| 2010-11 | 20100607 | JAPAN | 73049000 | ALLOY STEEL SEAMLESS STEEL TUBES O.D.47.55MMXW/TH. 6.35MM | 32.30 | 1,88,631 | 60,93,359 | PUC |
| 2010-11 | 20100531 | CHINA P RP | 73045110 | STEEL TUBE DIA 4.76 X0.55MM WITH ZINC COATED | 31.42 | 65,239 | 20,49,685 | PUC |
| 2010-11 | 20100622 | U S A | 73042390 | OILWELL SUPPLIES/5-1/2 IN HEAVY WEIGHT DRILL PIPE | 31.25 | 4,92,507 | 1,53,89,862 | PUC |
| 2010-11 | 20100622 | JAPAN | 73049000 | BEARING QUALITY STEEL TUBES SAE52100 39.15MM OD X 7.90MM WT. | 29.30 | 95,939 | 28,11,300 | PUC |
| 2010-11 | 20100608 | CHINA P RP | 73049000 | SEAMLESS TUBE DIN 1629 ST 52.3 - 133 (OD) X 4 MM THK. (SEAMLESS STEEL TUBE - R2 | 29.00 | 41,475 | 12,02,779 | PUC |
| 2010-11 | 20100607 | CHINA P RP | 73042990 | CARBON SEAMLESS STEEL PIPE DIA159MM MULTIPLY 4.5MM MULTIPLY 3000MM | 26.94 | 47,754 | 12,86,596 | PUC |
| 2010-11 | 20100629 | BELGIUM | 73049000 | SECONDARY CARBON STEEL SEAMLESS PIPES | 26.00 | 24,168 | 6,28,366 | PUC |
| 2010-11 | 20100616 | BELGIUM | 73049000 | SECONDARY CARBON STEEL SEMLESS PIPES | 26.00 | 23,447 | 6,09,609 | PUC |

**Import Data from DGCIS [All Countries PUC]
Apr 2009 to Jun 2012**

| Year | Date | Country | ITC-HS | Item-Des | Quantity (MT) | Price (Rs./MT) | Value (Rs) | PUC/ NPUC |
|---------|----------|-------------|----------|---|---------------|----------------|------------|--------------|
| 2010-11 | 20100621 | U K | 73049000 | SECONDARY SECOND CHOICE CARBON STEEL SEAMLESS/WELDED PIPES | 26.00 | 21,639 | 5,62,616 | PUC |
| 2010-11 | 20100601 | CHINA P RP | 73049000 | SEAMLESS CARBON STEEL PIPES ASTM A106B | 26.00 | 32,516 | 8,45,423 | PUC |
| 2010-11 | 20100618 | U ARAB EMTS | 73042990 | MILD STEEL SECONDARY PIPES | 25.00 | 29,839 | 7,45,976 | PUC |
| 2010-11 | 20100625 | ITALY | 73049000 | SECONDARY CARBON STEEL SEAMLESS & WELDED PIPES MIXED | 25.00 | 22,628 | 5,65,708 | PUC |
| 2010-11 | 20100621 | U K | 73049000 | SECONDARY SECOND CHOICE CARBON STEEL SEAMLESS/WELDED PIPES | 25.00 | 22,367 | 5,59,167 | PUC |
| 2010-11 | 20100605 | CHINA P RP | 73049000 | SEAMLESS CARBON STEEL PIPES API 5L/ASTM A106/A53 GR.B | 25.00 | 38,772 | 9,69,311 | PUC |
| 2010-11 | 20100617 | CHINA P RP | 73043119 | CARBON STEEL SEAMLESS TUBES AS PER ASTM A106/API 5L GR.B | 25.00 | 31,725 | 7,93,114 | PUC |
| 2010-11 | 20100618 | CHINA P RP | 73043119 | CARBON STEEL SEAMLESS TUBES AS PER ASTM A106/API 5L GR.B | 25.00 | 31,324 | 7,83,099 | PUC |
| 2010-11 | 20100618 | CHINA P RP | 73043119 | CARBON STEEL SEAMLESS TUBES ASTM A 106/API5L GR-5B | 25.00 | 31,102 | 7,77,562 | PUC |
| 2010-11 | 20100605 | CHINA P RP | 73043939 | HYDRAULIC CYLINDER HONED TUBE - 130*110 | 24.69 | 57,509 | 14,19,887 | PUC |
| 2010-11 | 20100624 | JAPAN | 73049000 | SECONDARY CARBON STEEL SEAMLESS PIPES MIX SIZES | 24.00 | 26,518 | 6,36,425 | PUC |
| 2010-11 | 20100629 | BELGIUM | 73049000 | M.S. SEAMLESS PIPE SECONDARY SECOND CHOICE MIX | 24.00 | 21,446 | 5,14,701 | PUC |
| 2010-11 | 20100603 | ITALY | 73049000 | SECONDARY SURPLUS CARBON STEEL SEAMLESS & WELDED PIPES MIXED | 24.00 | 19,140 | 4,59,360 | PUC |
| 2010-11 | 20100623 | CHINA P RP | 73041910 | SEAMLESS STEEL PIPE(7MM) | 24.00 | 48,546 | 11,65,101 | PUC |
| 2010-11 | 20100608 | CHINA P RP | 73049000 | SEAMLESS STEEL TUBE, BKS SIZE 60.3MMX5.5MMX5500MM | 24.00 | 47,708 | 11,44,997 | PUC |
| 2010-11 | 20100607 | CHINA P RP | 73049000 | SUPPLY OF ASTM A 106 GRADE B SEAMLESS PIPES FOR ONE SHIP : SEAMLESS PIPE (OD : | 24.00 | 43,680 | 10,48,322 | PUC |
| 2010-11 | 20100628 | CHINA P RP | 73049000 | CARBON STEEL SEAMLESS PIPE ASTM A 106 GR B / A 53 GR B / API 5L GR B SIZE 88.9 | 24.00 | 42,892 | 10,29,403 | PUC |
| 2010-11 | 20100604 | CHINA P RP | 73049000 | SEAMLESS CARBON STEEL PIPES API 5L/ASTM A106/A53 GR.B (SIZE 114.3MM X 6.02MM, 8 | 24.00 | 40,007 | 9,60,179 | PUC |
| 2010-11 | 20100609 | CHINA P RP | 73049000 | CARBON STEEL SEAMLESS PIPES API 5L/ASTM A 106/A53 GR.B | 24.00 | 39,877 | 9,57,046 | PUC |
| 2010-11 | 20100630 | CHINA P RP | 73049000 | CARBON STEEL SEAMLESS PIPES GRADE : ASTM A 106 GR.B / API5LGR.B | 24.00 | 38,806 | 9,31,333 | PUC |
| 2010-11 | 20100616 | CHINA P RP | 73043911 | CARBON STEEL SEAMLESS PIPES ASTM A 106 GRADE B ANSI B36.10 WITH 5.8M LENGTH, SI | 24.00 | 38,360 | 9,20,637 | PUC |
| 2010-11 | 20100614 | NETHERLAND | 73049000 | COLD DRAWN MS RECTANGULAR TUBE AS PER EN 10219, S355 JO/ S355 J2H 140 X 80 X 10 | 23.88 | 63,668 | 15,20,459 | PUC |
| 2010-11 | 20100608 | CHINA P RP | 73045110 | BEARING QUALITY STEEL TUBE SAE52100 SIZE 38.6 X 4.0 | 23.74 | 62,923 | 14,93,787 | PUC |
| 2010-11 | 20100624 | CHINA P RP | 73049000 | SEAMLESS PIPES - ST52 MADE OF IRON (95 X [79.45 - 79.8] X [5000 - 5800]) | 23.52 | 34,165 | 8,03,422 | PUC |
| 2010-11 | 20100622 | CHINA P RP | 73043129 | STEEL HONED TUBES (OD 165X ID 140X L) NT.WT. 6054.65 KGS | 23.23 | 65,553 | 15,22,885 | PUC |
| 2010-11 | 20100609 | U S A | 73049000 | SECONDARY SECOND CHOICE CARBON STEEL SEAMLESS/WELDED PIPES | 23.00 | 16,784 | 3,86,028 | PUC |
| 2010-11 | 20100607 | CHINA P RP | 73049000 | CARBON STEEL SEAMLESS PIPE ASTM A 106 GR.B | 23.00 | 45,725 | 10,51,665 | PUC |
| 2010-11 | 20100607 | CHINA P RP | 73049000 | SUPPLY OF ASTM A 106 GRADE B SEAMLESS PIPES FOR ONE SHIP : SEAMLESS PIPE (OD : | 23.00 | 45,669 | 10,50,379 | PUC |
| 2010-11 | 20100602 | CHINA P RP | 73043129 | SEAMLESS STEEL TUBING OD 2.35 INCHES LENGTH 3 MTRS 66.70MM X 4.77 MM X 3010 | 23.00 | 44,928 | 10,33,346 | PUC |
| 2010-11 | 20100619 | CHINA P RP | 73049000 | SEAMLESS CARBON STEEL PIPES (API 5L / A106 / A53 GR.B) (88.9MM,114.3MM X 5.49MM | 23.00 | 39,207 | 9,01,765 | PUC |
| 2010-11 | 20100617 | CHINA P RP | 73045110 | BEARING QUALITY STEEL TUBE SAE 52100 32.7 *6.5 | 22.74 | 62,923 | 14,30,863 | PUC |
| 2010-11 | 20100617 | U S A | 73049000 | SEAMLESS STEEL TUBE DIN-2391 ST52 6.35X0.95 | 22.00 | 1,19,148 | 26,21,258 | PUC |
| 2010-11 | 20100602 | U S A | 73043911 | SECONDARY DEFECTIVE MS SEAMLESS PIPE | 22.00 | 27,625 | 6,07,752 | PUC |
| 2010-11 | 20100611 | U S A | 73049000 | SECONDARY SECOND CHOICE CARBON STEEL SEAMLESS/WELDED PIPES | 22.00 | 22,281 | 4,90,188 | PUC |
| 2010-11 | 20100627 | SAUDI ARAB | 73049000 | SECONDARY SECOND CARBON STEEL PIPE FITTINGS MIXED THICKNESS MIXED LOT. | 22.00 | 17,005 | 3,74,114 | PUC |
| 2010-11 | 20100608 | CHINA P RP | 73049000 | SEAMLESS STEEL TUBE BKS SIZE 60.3MMX5.5MMX5500MM | 22.00 | 48,275 | 10,62,050 | PUC |
| 2010-11 | 20100616 | CHINA P RP | 73041910 | SEAMLESS PRECISION STEEL TUBE - 50 X 6 X L (=940MMX 2/3/4/5/6) | 22.00 | 48,111 | 10,58,436 | PUC |
| 2010-11 | 20100618 | CHINA P RP | 73043119 | SECONDARY/DEFECTIVE CARBON STEEL SEAMLESS PIPE | 22.00 | 20,995 | 4,61,879 | PUC |
| 2010-11 | 20100610 | CHINA P RP | 73043939 | SEAMLESS STEEL TUBE GRADE SAE52100/GCR15 43.40 X 6.40 | 22.00 | 63,387 | 13,94,266 | PUC |
| 2010-11 | 20100621 | ITALY | 73041190 | SEAMLESS COLD DRAWN TUBES FOR HYDRAULIC CYLINDER ACCORDING 135.00X****X10.00MM. | 21.56 | 1,02,544 | 22,10,634 | PUC |
| 2010-11 | 20100617 | ITALY | 73043119 | CYLINDER TUBES SUITABLE FOR HONING AND SSID CYLINDER TUBES(92.00 X 6.00 X7000 E | 21.18 | 87,108 | 18,45,148 | PUC |

**Import Data from DGCIS [All Countries PUC]
Apr 2009 to Jun 2012**

| Year | Date | Country | ITC-HS | Item-Des | Quantity (MT) | Price (Rs./MT) | Value (Rs) | PUC/ NPUC |
|---------|----------|-------------|----------|---|---------------|----------------|-------------|--------------|
| 2010-11 | 20100607 | CHINA P RP | 73049000 | SUPPLY OF ASTM A 106 GRADE B SEAMLESS PIPES FOR ONE SHIP : SEAMLESS PIPE (OD : | 21.00 | 46,881 | 9,84,496 | PUC |
| 2010-11 | 20100629 | CHINA P RP | 73049000 | CARBON STEEL SEAMLESS PIPE CONFIRMING TO ASTM / ASME A 179 /SA (AS PER INVOICE) | 21.00 | 27,757 | 5,82,906 | PUC |
| 2010-11 | 20100621 | TAIWAN | 73042990 | HONED TUBE WITH O.D HARD CHROME PLATE ST 52.3 55MM X 65MM X 3500MM | 20.54 | 58,774 | 12,07,314 | PUC |
| 2010-11 | 20100609 | CHINA P RP | 73049000 | STEEL TUBES 19.7MM X 14.5 MM X 2.60 MM | 20.51 | 1,12,447 | 23,06,523 | PUC |
| 2010-11 | 20100604 | CHINA P RP | 73069090 | CUT BLANK RINGS - 6202 OR CUT BLANKS - OD35.55MM X ID28.25MM TUBES MADE FROM S | 20.43 | 1,08,084 | 22,07,836 | PUC |
| 2010-11 | 20100625 | JAPAN | 73041110 | C.R.ALLOY STEEL TUBE FOR BEARING SIZE : OD 37.75MMXWT6.00MM | 20.00 | 1,04,083 | 20,81,664 | PUC |
| 2010-11 | 20100625 | RUSSIA | 73043911 | SEAMLESS TUBULARS (API 5L.PSL2 A106 GR.B) SIZE:10 C/O.RUSSIA | 20.00 | 80,975 | 16,19,501 | PUC |
| 2010-11 | 20100611 | U ARAB EMTS | 73049000 | SECONDARY DEFECTIVE CARBON STEEL SEAMLESS/ WELDED PIPE | 20.00 | 25,624 | 5,12,481 | PUC |
| 2010-11 | 20100628 | U S A | 73049000 | CARBON STEEL PIPES (SECONDARY DEFECTIVE) NON ALLOY. | 20.00 | 23,691 | 4,73,818 | PUC |
| 2010-11 | 20100622 | CHINA P RP | 73049000 | CARBON STEEL SEAMLESS PIPES / TUBES | 20.00 | 61,405 | 12,28,109 | PUC |
| 2010-11 | 20100609 | CHINA P RP | 73043119 | CARBON STEEL SEAMLESS PIPES SAE1040 | 20.00 | 31,675 | 6,33,496 | PUC |
| 2010-11 | 20100628 | CHINA P RP | 73069090 | CUT BLANK RINGS - 6205 OR CUT BLANKS OD52.20MM X ID43.30 MM (TUBES MADE FROM S | 19.95 | 92,072 | 18,36,928 | PUC |
| 2010-11 | 20100525 | U S A | 73043119 | SKIVED AND BURNISHED TUBES(ID-100 X OD-112) | 19.82 | 58,690 | 11,63,045 | PUC |
| 2010-11 | 20100601 | GERMANY | 98010013 | STEEL PIPES | 19.69 | 11,62,024 | 2,28,80,243 | PUC |
| 2010-11 | 20100618 | CHINA P RP | 73049000 | CONCRETE PUMP PARTS - BOOM PIPE 3MXT4.0MM (PAINTED PIPES-MAGNETIC) | 19.65 | 42,318 | 8,31,541 | PUC |
| 2010-11 | 20100610 | U S A | 73069090 | COLD DRAWN SEAMLESS TUBES (146 OD X 108 ID) | 19.63 | 1,51,882 | 29,81,770 | PUC |
| 2010-11 | 20100609 | ITALY | 73041190 | SEAMLESS COLD DRAWN TUBES FOR HYDRAULIC CYLINDER ACCORDING 202.00X****X21.00MM. | 19.34 | 1,03,418 | 20,00,217 | PUC |
| 2010-11 | 20100629 | CHINA P RP | 73041190 | SEAMLESS STEEL TUBE OD 42MM X WT 9.0MM | 19.00 | 52,778 | 10,02,784 | PUC |
| 2010-11 | 20100611 | CHINA P RP | 73045930 | SEAMLESS STEEL GAS CYLINDER TUBE 232 MM X 5.4 MM | 19.00 | 46,201 | 8,77,827 | PUC |
| 2010-11 | 20100602 | CHINA P RP | 73042200 | BRAND NEW DRILL PIPES 2-7/8 OD, RIGHT HAND THREAD,STEEL GRADE G-105,10.4 PPF N | 18.59 | 1,51,320 | 28,13,580 | PUC |
| 2010-11 | 20100529 | PORTUGAL | 73045110 | STEEL TUBE DIA 4.76 X 0.60 MM WITH COPPER COATED | 18.49 | 57,751 | 10,67,655 | PUC |
| 2010-11 | 20100629 | U ARAB EMTS | 73049000 | SECONDARY CARBON STEEL SEAMLESS & WELDED PIPES MIX LOT | 18.00 | 19,355 | 3,48,396 | PUC |
| 2010-11 | 20100624 | CHINA P RP | 73045920 | HOT FINISHED CARBON STEEL SEAMLESS MOTHER PIPES [114.3MM X 13.49 MM X 8.38M X | 17.00 | 58,193 | 9,89,289 | PUC |
| 2010-11 | 20100630 | CHINA P RP | 73041110 | SEAMLESS CARBON STEEL TUBES CONFORMING SA 210 GR A1 OD 38.1X4.06MM SIZE : 11 | 17.00 | 50,716 | 8,62,164 | PUC |
| 2010-11 | 20100611 | ITALY | 73041190 | SEAMLESS COLD DRAWN TUBES FOR HYDRAULIC CYLINDER ACCORDING 202.00X****X21.00MM. | 16.42 | 1,08,969 | 17,89,372 | PUC |
| 2010-11 | 20100616 | JAPAN | 73049000 | COLD DRAWN SEAMLESS TUBE ITEM NO. PGPS006 14.4(+/-0.05) X 10.5(+/-0.1)MM GRADE | 16.35 | 2,41,915 | 39,55,070 | PUC |
| 2010-11 | 20100616 | JAPAN | 73049000 | COLD DRAWN SEAMLESS TUBE ITEM NO. RGPS026 19.4(+/-0.05) X 11.5(+/-0.1)MM GRADE | 15.73 | 2,52,481 | 39,71,773 | PUC |
| 2010-11 | 20100618 | CHINA P RP | 73049000 | COLD DRAWN SEAMLESS PIN STEEL TUBE SCM415H OD17.30MM X ID12.0MM | 15.15 | 95,484 | 14,46,201 | PUC |
| 2010-11 | 20100602 | U S A | 73049000 | STOCK LOTS OF CARBON STEEL BARS | 15.00 | 27,344 | 4,10,158 | PUC |
| 2010-11 | 20100629 | CHINA P RP | 73063090 | COLD DRAWN SEAMLESS TUBE (113X6.75X2350MM) | 15.00 | 82,820 | 12,42,304 | PUC |
| 2010-11 | 20100611 | CHINA P RP | 73069090 | CUT BLANK RINGS - 6205 IR CUT BLANKS OD34.55MM X ID24.80 MM (TUBES MADE FROM SA | 14.91 | 97,210 | 14,49,016 | PUC |
| 2010-11 | 20100623 | CHINA P RP | 73045920 | HOT FINISHED CARBON STEEL SEAMLESS MOTHER PIPES [203.2MM X 23.02MM X 6.92M X | 14.00 | 59,720 | 8,36,075 | PUC |
| 2010-11 | 20100614 | CHINA P RP | 73043139 | HYDRAULIC CYLINDER TUBE SIZE : 90 X 80MM | 13.26 | 99,066 | 13,13,935 | PUC |
| 2010-11 | 20100604 | FRANCE | 98010013 | HOT FINISHED SEAMLESS CARBON STEEL PIPES TO SPEC SA 106 S37/08/2010/GR6 CIF.RS. | 13.00 | 5,51,262 | 71,66,402 | PUC |
| 2010-11 | 20100621 | U K | 73043119 | SKIVED AND BURNISHED TUBES(ID-70MM X OD-83MM.) | 12.57 | 95,754 | 12,04,001 | PUC |
| 2010-11 | 20100614 | U S A | 73049000 | STOCK LOT OF C.S. BARS | 12.00 | 28,291 | 3,39,496 | PUC |
| 2010-11 | 20100611 | CHINA P RP | 73045930 | SEAMLESS STEEL GAS CYLINDER TUBE 232 MM X 5.4 MM | 12.00 | 49,218 | 5,90,617 | PUC |
| 2010-11 | 20100604 | CHINA P RP | 73049000 | CARBON STEEL SEAMLESS PIPE AS PER API 5L/ASTM A53/106GR.B. | 12.00 | 31,581 | 3,78,972 | PUC |
| 2010-11 | 20100626 | CHINA P RP | 73045110 | COLD DRAWN SEAMLESS CARBON STEEL TUBES ASTM A519,GRADE SAE 1541(SIZE: 43.75X6.2 | 11.00 | 51,803 | 5,69,832 | PUC |
| 2010-11 | 20100621 | CHINA P RP | 73043139 | COLD DRAWN SEAMLESS TUBE 60X12MM | 11.00 | 41,364 | 4,55,006 | PUC |
| 2010-11 | 20100609 | CHINA P RP | 73042400 | SEAMLESS TUBE OD-48MM(+0.13) XW/T 5MM(+/-4%) (345 PCS)(2008.3M) | 10.42 | 63,923 | 6,65,953 | PUC |

**Import Data from DGCIS [All Countries PUC]
Apr 2009 to Jun 2012**

| Year | Date | Country | ITC-HS | Item-Des | Quantity (MT) | Price (Rs./MT) | Value (Rs) | PUC/ NPUC |
|---------|----------|-------------|----------|--|---------------|----------------|------------|--------------|
| 2010-11 | 20100615 | CHINA P RP | 73041190 | SEAMLESS PIPE FOR ONE SHIP OF ASTM A 106 GRADE B (OD MM 273.10, WALL THK 18.26) | 10.33 | 41,219 | 4,25,708 | PUC |
| 2010-11 | 20100622 | U K | 73041910 | PIPE, SEAMLESS, 4.5 OD, 0.337 WALL, API 5L-X52, 52KSI, NACE MR-0175 | 10.00 | 1,42,889 | 14,28,889 | PUC |
| 2010-11 | 20100629 | GERMANY | 73043911 | PIPE SEAMLESS (ASTM A106 GR.B BEVELLED ENDS ASME B36.10 SIZE: 8 SCH STD) | 10.00 | 91,236 | 9,12,360 | PUC |
| 2010-11 | 20100605 | JAPAN | 73049000 | CARBON STEEL PIPES (SECONDARY DEFECTIVE) NON ALLOY. | 10.00 | 24,130 | 2,41,299 | PUC |
| 2010-11 | 20100629 | CHINA P RP | 73049000 | CARBON SEAMLESS STEEL PIPE 194MM X 45MM (M.S) | 10.00 | 63,545 | 6,35,445 | PUC |
| 2010-11 | 20100621 | CHINA P RP | 73043139 | COLD DRAWN SEAMLESS STEEL PIPE 20# (60 MM X 12 MM X 1-5.8 METER) | 10.00 | 39,721 | 3,97,205 | PUC |
| 2010-11 | 20100615 | CHINA P RP | 73041190 | SEAMLESS PIPE FOR ONE SHIP OF ASTM A 106 GRADE B (OD MM 48.30 WALL THK 8.74 | 9.38 | 81,935 | 7,68,779 | PUC |
| 2010-11 | 20100603 | CHINA P RP | 73049000 | ALLOY STEEL SEAMLESS TUBE 10.3X6 15CRMO | 9.00 | 1,05,275 | 9,47,475 | PUC |
| 2010-11 | 20100625 | RUSSIA | 73043911 | SEAMLESS TUBULARS (API 5L.PSL2 A106 GR.B) SIZE: 8 C/O.RUSSIA | 8.00 | 1,08,712 | 8,69,692 | PUC |
| 2010-11 | 20100626 | SAUDI ARAB | 73049000 | SECONDARY SECOND CARBON STEEL SEAMLESS / WELDED PIPES MIXED THICKNESS MIXED LO | 8.00 | 17,825 | 1,42,600 | PUC |
| 2010-11 | 20100627 | SAUDI ARAB | 73049000 | SECONDARY SECOND CARBON STEEL PIPE FITTINGS MIXED THICKNESS MIXED LOT. | 8.00 | 17,804 | 1,42,431 | PUC |
| 2010-11 | 20100626 | SAUDI ARAB | 73049000 | SECONDARY SECOND CARBON STEEL SEAMLESS / WELDED PIPES & PIPE FITTINGS MIXED TH | 8.00 | 17,804 | 1,42,431 | PUC |
| 2010-11 | 20100604 | CHINA P RP | 73043919 | CARBON STEEL SEAMLESS TUBES TO ASTM A 106/API 5 L GR B (SIZE 60.3 MM OD X 4.1 | 8.00 | 40,818 | 3,26,542 | PUC |
| 2010-11 | 20100609 | CHINA P RP | 73043119 | HONED CDS TUBE SIZE: ID 50HB X OD 63 X L | 7.63 | 79,123 | 6,03,865 | PUC |
| 2010-11 | 20100531 | JAPAN | 73049000 | COLD DRAWN SEAMLESS STEEL TUBE, O.D. 19.40MM X I.D. 11.50MM, GRADE SCR-420H (J | 7.48 | 2,51,205 | 18,79,764 | PUC |
| 2010-11 | 20100623 | CHINA P RP | 73045920 | HOT FINISHED CARBON STEEL SEAMLESS MOTHER PIPES [203.2MM X 23.02MM X 6.92M X | 7.00 | 57,124 | 3,99,865 | PUC |
| 2010-11 | 20100614 | CHINA P RP | 73069090 | CUT BLANKS RINGS - 6202 IR CUT BLANKS OD22.35MM X ID14.25 MM (TUBES MADE FROM S | 6.62 | 1,15,751 | 7,65,696 | PUC |
| 2010-11 | 20100608 | BELGIUM | 73049000 | MANNESMANN STRUCTURAL HOLLOW SECTIONS MSH HOT FINISHED 120X8 | 6.36 | 60,575 | 3,85,137 | PUC |
| 2010-11 | 20100522 | JAPAN | 73049000 | COLD DRAWN SEAMLESS STEEL TUBE (FOR PISTON PIN) GRADE SCM-415H (JIS) (O.D. 13. | 6.25 | 2,70,041 | 16,87,756 | PUC |
| 2010-11 | 20100626 | JAPAN | 73049000 | COLD DRAWN SEAMLESS STEEL TUBE (O.D.14.40MM X I.D. 9.50MM) GRADE:SCM-415H (JIS | 6.06 | 2,99,265 | 18,12,947 | PUC |
| 2010-11 | 20100608 | MALAYSIA | 73041910 | SQUARE & RECTANGULAR HOLLOW TUBES: 100MM X 100MM X 9MM LENGTH: 11.9METERS | 6.00 | 1,27,430 | 7,64,579 | PUC |
| 2010-11 | 20100625 | CHINA P RP | 73069090 | CUT BLANK RINGS - 6205 OR CUT BLANKS OD52.20MM X ID43.30MM (TUBES MADE FROM SAE | 5.77 | 92,082 | 5,30,855 | PUC |
| 2010-11 | 20100611 | CHINA P RP | 73043119 | SEAMLESS STEEL TUBE GRADE SAE52100/GCR15 (CARBON STEEL) SIZE 41.30 X 33.70 X 3. | 5.10 | 58,377 | 2,97,606 | PUC |
| 2010-11 | 20100626 | CHINA P RP | 73045110 | COLD DRAWN SEAMLESS CARBON STEEL TUBES ASTM A519, GRADE SAE 1541(SIZE: 43.75X6.2 | 5.00 | 58,241 | 2,91,206 | PUC |
| 2010-11 | 20100603 | CHINA P RP | 73043919 | COLD DRAWN SEAMLESS STEEL TUBES CHINESE 20 # OD.96 MM X W.2MM X L.168 MM (5115 | 4.03 | 81,469 | 3,28,481 | PUC |
| 2010-11 | 20100618 | KOREA RP | 73041110 | HY-LOK TUBES-SEAMLESS TUBE 1 O.D X 0.109 THK 1PC:6ME | 4.00 | 1,63,627 | 6,54,507 | PUC |
| 2010-11 | 20100611 | U ARAB EMTS | 73049000 | SECONDARY DEFECTIVE CARBON STEEL SEAMLESS/ WELDED PIPE | 4.00 | 29,444 | 1,17,777 | PUC |
| 2010-11 | 20100524 | JAPAN | 73049000 | COLD DRAWN SEAMLESS STEEL TUBE (FOR PISTON PIN) GRADE SCM-415H (JIS) (O.D. 13 | 3.77 | 2,41,691 | 9,10,210 | PUC |
| 2010-11 | 20100624 | GERMANY | 73043919 | SEAMLESS COLD-DRAWN STEEL TUBES 6.00 MM O.D X 1.80 MM | 3.29 | 2,63,012 | 8,65,050 | PUC |
| 2010-11 | 20100616 | KOREA RP | 73041190 | SEAMLESS PIPE (60.5 X 8.7 X 3,000)PRESS MACHINE SPARES | 3.16 | 2,62,145 | 8,28,379 | PUC |
| 2010-11 | 20100603 | CHINA P RP | 73045120 | ALLOY STEEL SEAMLESS BW FITTINGS 90 DEGREE BEND | 3.00 | 1,35,894 | 4,07,682 | PUC |
| 2010-11 | 20100609 | CHINA P RP | 73045110 | BEARING QUALITY STEEL TUBE SAE-52100 AND SUJ-3 SIZE:90.9X7.95MM | 3.00 | 1,15,245 | 3,45,734 | PUC |
| 2010-11 | 20100604 | CHINA P RP | 73049000 | CARBON STEEL SEAMLESS PIPES AS PER API 5L/ASTM A53/106 GR.B | 3.00 | 31,581 | 94,743 | PUC |
| 2010-11 | 20100604 | CHINA P RP | 73045920 | CS SEAMLESS PIPES SIZE (MM) OD 219.1 X 28 X 5600-SA106 GRC | 2.96 | 94,775 | 2,80,240 | PUC |
| 2010-11 | 20100524 | JAPAN | 73049000 | COLD DRAWN SEAMLESS STEEL TUBE (FOR PISTON PIN) GRADE SCM-415H (JIS) (O.D. 13 | 2.22 | 2,41,691 | 5,36,555 | PUC |
| 2010-11 | 20100609 | CHINA P RP | 73045910 | CARBON SEAMLESS STEEL TUBES ASME SA210M GR.A1 63.5 OD X 3.66 MIN WT X 12000 LG | 2.20 | 46,849 | 1,03,276 | PUC |
| 2010-11 | 20100609 | CHINA P RP | 73045910 | CARBON SEAMLESS STEEL TUBES ASME SA210M GR.A1 50.8 OD X 4.06 MIN WT X 13000 LG | 2.07 | 46,813 | 96,866 | PUC |
| 2010-11 | 20100612 | SINGAPORE | 73042390 | SLIP, DRILLPIPE, 5-1/2 IN SDHL ROTARY | 2.00 | 2,26,348 | 4,52,695 | PUC |
| 2010-11 | 20100628 | CHINA P RP | 73043119 | COLD DRAWN SEAMLESS PIPES API5L GR.B/ASTM A 106.GR.B. SIZE:60.3X3.71X6000-7000M | 2.00 | 53,457 | 1,06,914 | PUC |
| 2010-11 | 20100628 | GERMANY | 73049000 | BOILER TUBES(MADE OF CARBON STEEL), SMLS 273,00 6,30 MM ST 35.8/III P235GH-TC2 | 1.83 | 1,09,216 | 1,99,428 | PUC |
| 2010-11 | 20100622 | CHINA P RP | 73043119 | STEEL HONED TUBES (OD 100X ID 80 X 1503 MM) NT WT 1808.81 KGS | 1.80 | 75,721 | 1,36,180 | PUC |

**Import Data from DGCIS [All Countries PUC]
Apr 2009 to Jun 2012**

| Year | Date | Country | ITC-HS | Item-Des | Quantity (MT) | Price (Rs./MT) | Value (Rs) | PUC/ NPUC |
|---------|----------|-------------|----------|---|---------------|----------------|--------------|--------------|
| 2010-11 | 20100608 | ITALY | 73043129 | COLD DRAWN SEAMLESS STEEL TUBES(FOR MFG.OF HYDRAULIC CYLINDERS) 260,00 X 225, | 1.68 | 93,660 | 1,56,889 | PUC |
| 2010-11 | 20100623 | GERMANY | 73069090 | SEAMLESS P+P-PRECISION-STEEL TUBES DIN 2391 C:09.94+DIN EN 10083-1:10.06,GRADE | 1.22 | 9,70,654 | 11,82,256 | PUC |
| 2010-11 | 20100608 | CHINA P RP | 73041910 | PLAIN END SEAMLESS COUPLING STOCK SIZE: 5.000 ODX3.955 ID[10.544MTS=256MTRS [| 1.08 | 44,976 | 48,567 | PUC |
| 2010-11 | 20100624 | CHINA P RP | 73049000 | GROUND FINISH TUBE (CDS 200) 11.9MMX9MM 1272MM | 1.02 | 1,03,788 | 1,05,527 | PUC |
| 2010-11 | 20100621 | SAUDI ARAB | 73049000 | SECONDARY SECOND CARBON STEEL PIPE FITTINGS MIXED THICKNESS MIXED LOT. | 1.00 | 33,444 | 33,444 | PUC |
| 2010-11 | 20100614 | U S A | 73041910 | RECT ASTM A500-B HR BLK [RECTANGULAR STEEL TUBE] 6.000X3.000X0.375 | 0.80 | 1,09,890 | 87,912 | PUC |
| 2010-11 | 20100603 | ITALY | 73049000 | SECONDARY SURPLUS CARBON STEEL SEAMLESS & WELDED PIPES MIXED | 0.20 | 45,935 | 9,187 | PUC |
| 2010-11 | 20100602 | FRANCE | 73049000 | PIPE (SEAMLESS) 60.3 X 10 D2/T2 PARTS FOR STEEL PLANT | 0.15 | 2,99,332 | 44,573 | PUC |
| 2010-11 | 20100629 | BELGIUM | 73049000 | M.S. SEAMLESS PIPE SECONDARY SECOND CHOICE MIX | 0.10 | 1,04,590 | 10,459 | PUC |
| 2010-11 | 20100625 | BELGIUM | 73049000 | SECONDARY CARBON STEEL SEAMLESS PIPES | 0.10 | 1,03,160 | 10,316 | PUC |
| 2010-11 | 20100616 | BELGIUM | 73049000 | SECONDARY CARBON STEEL SEMLESS PIPES | 0.08 | 1,05,513 | 8,441 | PUC |
| 2010-11 | 20100629 | U ARAB EMTS | 73049000 | SECONDARY CARBON STEEL SEAMLESS & WELDED PIPES MIX LOT | 0.06 | 1,09,683 | 6,581 | PUC |
| 2010-11 | 20100604 | U S A | 73041990 | TUBING, NYLON CLEAR 1/4 IN OD X 1/8IN ID | 0.04 | 1,10,400 | 4,416 | PUC |
| 2010-11 | 20100630 | CHINA P RP | 73049000 | CARBON STEEL SEAMLESS PIPES GRADE : ASTM A 106 GR.B / API5LGR.B | 0.04 | 81,825 | 3,273 | PUC |
| 2010-11 | 20100607 | U S A | 73041990 | STEEL PIPE 3.5 X 0.5 J55 CPLG BLANK CUT TO 2 | 0.03 | 1,46,636 | 4,839 | PUC |
| 2010-11 | 20100629 | BELGIUM | 73049000 | SECONDARY CARBON STEEL SEAMLESS PIPES | 0.01 | 1,87,600 | 1,876 | PUC |
| 2010-11 | 20100617 | CHINA P RP | 73049000 | CARBON SEAMLESS STEEL PIPE API 5L/ASTM A53/106 GR.B | 0.01 | 1,24,800 | 1,248 | PUC |
| 2010-11 | 20100617 | CHINA P RP | 73049000 | CARBON STEEL SEAMLESS PIPES STOCKLOT | 0.01 | 81,100 | 811 | PUC |
| 2010-11 | 20100622 | CHINA P RP | 73049000 | CARBON STEEL SEAMLESS PIPES / TUBES | 0.01 | 1,00,500 | 603 | PUC |
| 2010-11 | 20100623 | BELGIUM | 73049000 | SECONDARY DEFECTIVE CARBON STEEL SEAMLESS PIPE | 0.01 | 95,000 | 475 | PUC |
| 2010-11 | 20100622 | CHINA P RP | 73049000 | CARBON STEEL SEAMLESS PIPES, EX-STOCK | 0.01 | 1,05,200 | 526 | PUC |
| 2010-11 | 20100626 | CHINA P RP | 73049000 | CARBON STEEL SEAMLESS PIPES- 219.1MM X 8.18MM | 0.01 | 87,200 | 436 | PUC |
| 2010-11 | 20100616 | GERMANY | 73049000 | CARBON STEEL SEAMLESS PIPE (SECONDARY/DEFECTIVE) | 0.004 | 1,18,250 | 473 | PUC |
| 2010-11 | 20100602 | FRANCE | 73049000 | SECONDARY CARBON STEEL SEAMLESS PIPES MIX SIZES | 0.004 | 1,09,750 | 439 | PUC |
| 2010-11 | 20100622 | CHINA P RP | 73049000 | CARBON STEEL SEAMLESS PIPES , EX-STOCK | 0.003 | 1,31,667 | 395 | PUC |
| 2010-11 | 20100601 | CHINA P RP | 73049000 | SEAMLESS CARBON STEEL PIPES ASTM A106B | 0.003 | 1,05,333 | 316 | PUC |
| 2010-11 | 20100608 | CHINA P RP | 73049000 | CARBON STEEL SEAMLESS PIPES ASTM A106 GR.B | 0.002 | 2,08,500 | 417 | PUC |
| 2010-11 | 20100714 | CHINA P RP | 98010019 | CARBON STEEL BARE LINE PIPES 10.750X8.7 MM GRX-60 | 2,572.71 | 30,829 | 7,93,14,945 | PUC |
| 2010-11 | 20100703 | CHINA P RP | 73041910 | PLAIN END SEAMLESS PIPES 5 OD{2052.218 MTS = 74141.188 METERS [OR] 7770 PCS} | 1,968.55 | 55,954 | 11,01,48,744 | PUC |
| 2010-11 | 20100713 | CHINA P RP | 73043119 | SEAMLESS CARBON STEEL AND ALLOY STEEL TUBES.GRADE SA210 GRC.OD 76.2 X 12.70 X | 1,350.02 | 17,407 | 2,34,99,593 | PUC |
| 2010-11 | 20100701 | CHINA P RP | 73041910 | PLAIN END SEAMLESS PIPES 9-5/8 OD [16693.261 MTRS=1418 PCS[OR] 1150.935 MTS] | 1,059.18 | 50,237 | 5,32,09,528 | PUC |
| 2010-11 | 20100724 | CHINA P RP | 73043119 | SEAMLESS CARBON STEEL AND ALLOY STEEL TUBES.OD 76.2X 12.7 X R/L OF 10-12MTR .GR | 925.32 | 19,954 | 1,84,64,008 | PUC |
| 2010-11 | 20100722 | CHINA P RP | 73045930 | SEAMLESS STEEL GAS CYLINDER TUBE 232 MM X 5.4 MM | 552.00 | 47,907 | 2,64,44,576 | PUC |
| 2010-11 | 20100712 | CHINA P RP | 73041190 | CARBON STEEL SEAMLESS HOT FINISHED PIPES ASTM API5L/A106/A53 GR B (63.5MM OD X | 534.00 | 43,796 | 2,33,87,233 | PUC |
| 2010-11 | 20100713 | CHINA P RP | 73049000 | SEAMLESS CARBON STEEL PIPES. (SIZE 244.5 X 10.31MM)(655 PIECES) | 457.00 | 40,654 | 1,85,78,820 | PUC |
| 2010-11 | 20100724 | CHINA P RP | 73043119 | SEAMLESS CARBON STEEL AND ALLOY STEEL TUBES.OD 38.1 X 4.00 X R/L OF 10-12 MTR S | 398.44 | 46,314 | 1,84,53,317 | PUC |
| 2010-11 | 20100708 | CHINA P RP | 73041990 | SEAMLESS PIPE API 5L GR.B/ASTM A106 GR.B/ASTM A53 GR.B (SIZE 48.3 X 5.08 MM) | 397.00 | 47,849 | 1,89,95,900 | PUC |
| 2010-11 | 20100714 | CHINA P RP | 73043119 | SEAMLESS CARBON STEEL AND ALLOY STEEL TUBES .GRADE SA210 GRCOD63.5 X 6.30 X R | 367.86 | 35,374 | 1,30,12,879 | PUC |
| 2010-11 | 20100701 | GERMANY | 73043119 | SEAMLESS TUBE HOLLOWS DIN 1630 GRADE: ST 37.4 SIZE 30,000 X 3,000 MM (RL 10,000 | 357.00 | 45,072 | 1,60,90,614 | PUC |
| 2010-11 | 20100702 | CHINA P RP | 73049000 | PRIME CARBON STEEL SEAMLESS PIPES GRADE : ASTM A 106 GR.B / API5L GR.B - 1-1/2 | 349.82 | 36,622 | 1,28,11,182 | PUC |
| 2010-11 | 20100729 | CHINA P RP | 73049000 | CARBON STEEL SEAMLESS PIPE | 322.00 | 42,378 | 1,36,45,678 | PUC |

**Import Data from DGCIS [All Countries PUC]
Apr 2009 to Jun 2012**

| Year | Date | Country | ITC-HS | Item-Des | Quantity (MT) | Price (Rs./MT) | Value (Rs) | PUC/ NPUC |
|---------|----------|------------|----------|---|---------------|----------------|-------------|--------------|
| 2010-11 | 20100730 | CHINA P RP | 73041190 | COLD DRAWN CARBON STEEL SEAMLESS TUBES DIN17175 ST35.8 (28MM OD, 2.9MM MIN WT | 316.00 | 43,696 | 1,38,07,816 | PUC |
| 2010-11 | 20100712 | CHINA P RP | 73042990 | CARBON SEAMLESS STEEL PIPE DIA 134MM MULTIPLY 4.5MM (134MMX4.5MMX6000MM) | 305.00 | 46,695 | 1,42,41,998 | PUC |
| 2010-11 | 20100707 | CHINA P RP | 73043931 | SEAMLESS CARBON STEEL PIPES (TO SPEC SA106)OD 273.00-457.20X28-50X4500-7000 | 277.00 | 70,471 | 1,95,20,350 | PUC |
| 2010-11 | 20100730 | ITALY | 73069090 | SEAMLESS COLD DRAWN TUBES (160.00 X 140.00 X ****MM) | 269.99 | 46,350 | 1,25,13,867 | PUC |
| 2010-11 | 20100719 | ITALY | 73043911 | COLD DRAWN SEAMLESS STEEL TUBE192.50X8.75X1.00 E355 | 255.72 | 41,935 | 1,07,23,468 | PUC |
| 2010-11 | 20100714 | CHINA P RP | 73045920 | SEAMLESS STEEL PIPE FOR CYLINDERS (OD - 139.7MM WT 4.5MM L-5480MM) | 246.00 | 45,585 | 1,12,13,808 | PUC |
| 2010-11 | 20100709 | CHINA P RP | 73069090 | TUBING 2-7/8 6.5 PPF, N80 EUE, R2 (EQUIPMENT FOR CBM PROJECT) | 231.23 | 45,242 | 1,04,61,342 | PUC |
| 2010-11 | 20100702 | CHINA P RP | 73043119 | 44.5 OD X 5 WT X 6800 LG / SEAMLESS TUBE | 231.02 | 45,888 | 1,06,01,024 | PUC |
| 2010-11 | 20100705 | CHINA P RP | 73049000 | PRIME CARBON STEEL SEAMLESS PIPES (ASTM A106 GR.B) (1-1/4 ,1-1/2 , 2 X SCH40,S | 218.00 | 45,157 | 98,44,202 | PUC |
| 2010-11 | 20100719 | CHINA P RP | 73045130 | COLD DRAWN SEAMLESS ALLOY STEEL TUBES GRADE: ASME SA210 GR.A1 SIZE: 50.8 OD X 4 | 209.54 | 53,155 | 1,11,37,836 | PUC |
| 2010-11 | 20100729 | CHINA P RP | 73045110 | BEARING QUALITY STEEL TUBE SAE-52100 SIZE 72.28X6020 MM | 204.39 | 63,687 | 1,30,16,924 | PUC |
| 2010-11 | 20100730 | CHINA P RP | 73041190 | CARBON STEEL SEAMLESS MOTHER HOT FINISHED PIPES (32.0MM OD , 3.8MMID, 11.8 MET | 197.00 | 43,611 | 85,91,349 | PUC |
| 2010-11 | 20100728 | CHINA P RP | 73041990 | SEAMLESS LINE PIPE AS PER API 5L GR B/ASTM A-106.GR.B/ASTM A-53-GR.B (SIZE.60.3 | 191.00 | 37,259 | 71,16,493 | PUC |
| 2010-11 | 20100703 | BELGIUM | 73049000 | SECONDARY CARBON SEAMLESS PIPE | 190.00 | 17,053 | 32,40,051 | PUC |
| 2010-11 | 20100722 | CHINA P RP | 73043919 | CARBON STEEL SEAMLESS TUBES ASTM A179 SIZE 38.1 MM OD X2.77MM THK X9760MM LENGH | 177.42 | 48,593 | 86,21,609 | PUC |
| 2010-11 | 20100701 | CHINA P RP | 73049000 | CARBON STEEL SEAMLESS PIPES | 174.82 | 40,377 | 70,58,572 | PUC |
| 2010-11 | 20100701 | CHINA P RP | 73045910 | CARBON SEAMLESS STEEL TUBES ASME SA210M GR.A1 38.1 OD X 3.66 MIN WT X 11000 LG | 173.97 | 46,896 | 81,58,598 | PUC |
| 2010-11 | 20100716 | CHINA P RP | 73045110 | BEARING QUALITY STEEL TUBE SAE-52100 (GRADE-GCR15) SIZE 62.26X53.05MM | 165.15 | 60,005 | 99,09,834 | PUC |
| 2010-11 | 20100724 | CHINA P RP | 73045110 | BEARING QUALITY STEEL TUBE SAE-52100 SIZE:90.25X75.79 MM | 163.90 | 61,217 | 1,00,33,140 | PUC |
| 2010-11 | 20100703 | CHINA P RP | 73045110 | BEARING QUALITY STEEL TUBE SAE-52100 SIZE:90.25X75.79MM | 163.03 | 61,348 | 1,00,01,246 | PUC |
| 2010-11 | 20100730 | CHINA P RP | 73041110 | HOT FINISHED SEAMLESS STEEL TUBE HS-G-3429-86 GRADE 34CRM04267MM X 7.5MM | 160.00 | 51,318 | 82,10,802 | PUC |
| 2010-11 | 20100701 | ITALY | 73049000 | SECONDARY CARBON STEEL SEAMLESS PIPES (MIX SIZES) | 157.00 | 23,630 | 37,09,892 | PUC |
| 2010-11 | 20100730 | CHINA P RP | 73041190 | CARBON STEEL SEAMLESS MOTHER HOT FINISHED PIPES (OD: 30MM , WT: 3.0MM, LENGTH: | 153.00 | 41,227 | 63,07,697 | PUC |
| 2010-11 | 20100729 | JAPAN | 73049000 | SECONDARY CARBON STEEL SEAMLESS PIPES (MIX SIZES) | 152.00 | 22,605 | 34,35,936 | PUC |
| 2010-11 | 20100724 | CHINA P RP | 73043119 | SEAMLESS CARBON STEEL AND ALLOY STEEL TUBES.OD 63.50 X 4.0 X R/L OF 10-12 MTR.G | 151.37 | 92,542 | 1,40,08,218 | PUC |
| 2010-11 | 20100724 | CHINA P RP | 73043119 | SEAMLESS CARBON STEEL AND ALLOY STEEL TUBES.OD 63.50 X 4.0 X R/L OF 10-12 MTR.G | 151.35 | 92,542 | 1,40,06,062 | PUC |
| 2010-11 | 20100719 | CHINA P RP | 73043119 | COLD DRAWN SEAMLESS STEEL TUBES GR. ASME SA210 GR.A1 SIZE (MM) : 38.1 OD X 5 WT | 149.39 | 43,422 | 64,86,762 | PUC |
| 2010-11 | 20100726 | CHINA P RP | 73049000 | CARBON STEEL SEAMLESS PIPES ASTM A 106 GR. B / API 5L GR. B | 149.00 | 30,755 | 45,82,524 | PUC |
| 2010-11 | 20100706 | U S A | 73049000 | SECONDARY SECON CHOICE CARBON STEEL SEAMLESS/WELDED PIPES | 145.00 | 21,256 | 30,82,109 | PUC |
| 2010-11 | 20100712 | CHINA P RP | 73043119 | COLD DRAWN SEAMLESS STEEL TUBES AS PER DIN STD 2391 50 MM OD X 38 MM ID | 143.00 | 47,657 | 68,14,892 | PUC |
| 2010-11 | 20100706 | CHINA P RP | 73069090 | BEARING SEAMLESS STEEL TUBES - 6005 OR (9 BDL) | 139.52 | 86,079 | 1,20,09,371 | PUC |
| 2010-11 | 20100720 | U K | 73069090 | SECONDARY DEFECTIVE UNUSED PARTIALLY RUSTED PIPES OF VARIOUS SIZE & LENGTHS | 139.00 | 23,505 | 32,67,174 | PUC |
| 2010-11 | 20100716 | ITALY | 73043911 | COLD DRAWN SEAMLESS STEEL TUBE105.00 X 7.50 X 1.00 E355 | 138.96 | 77,012 | 1,07,01,776 | PUC |
| 2010-11 | 20100720 | U S A | 73042990 | SECONDARY/DEFECTIVE MS PIPES OF MIXED SIZES(P S I CERTIFICATE NO.0008/U/D/1067 | 131.00 | 17,621 | 23,08,331 | PUC |
| 2010-11 | 20100729 | CHINA P RP | 73045110 | 48.3 OD X 4.05 WT X 7950 LG/ SEAMLESS STEEL TUBE | 130.13 | 67,227 | 87,48,188 | PUC |
| 2010-11 | 20100701 | ITALY | 73049000 | SECONDARY CARBON STEEL SEAMLESS PIPES (MIX SIZES) | 130.00 | 23,506 | 30,55,763 | PUC |
| 2010-11 | 20100722 | CHINA P RP | 73041910 | COLD DRAWN STEEL SEAMLESS TUBES ASTM A106 GR.B/API 5L GR BSIZE: 55MM OD X 3.7MM | 130.00 | 40,634 | 52,82,435 | PUC |
| 2010-11 | 20100730 | SAUDI ARAB | 73049000 | SECONDARY SECON CARBON STEEL SEAMLESS / WELDED PIPES MIXED THICKNESS MIXED LO | 129.00 | 16,984 | 21,90,950 | PUC |
| 2010-11 | 20100722 | CHINA P RP | 73049000 | CARBON STEEL SEAMLESS & WELDED ROUND & HOLLOW SECTIONS ARE STOCK LOT SURPLUS | 129.00 | 24,377 | 31,44,624 | PUC |
| 2010-11 | 20100730 | SAUDI ARAB | 73049000 | SECONDARY SECON CARBON STEEL SEAMLESS / WELDED PIPES MIXED THICKNESS MIXED LO | 128.00 | 16,977 | 21,73,084 | PUC |
| 2010-11 | 20100716 | CHINA P RP | 73049000 | CARBON STEEL SEAMLESS PIPES ASTM A106 GR.B SIZE 4 INCH X SCH40 X 5-5.8M | 127.00 | 45,766 | 58,12,260 | PUC |

**Import Data from DGCIS [All Countries PUC]
Apr 2009 to Jun 2012**

| Year | Date | Country | ITC-HS | Item-Des | Quantity (MT) | Price (Rs./MT) | Value (Rs) | PUC/ NPUC |
|---------|----------|-------------|----------|---|---------------|----------------|------------|--------------|
| 2010-11 | 20100720 | CHINA P RP | 73043119 | CARBON STEEL SEAMLESS PIPES (60.3X11.3X5800MM) | 125.00 | 29,297 | 36,62,100 | PUC |
| 2010-11 | 20100707 | CHINA P RP | 73043119 | SEAMLESS CARBON STEEL TUBES,OD 38.1 X 3.66 X R/L OF 10-12 MTR GRADE.SA210 GRA 1 | 124.42 | 49,234 | 61,25,698 | PUC |
| 2010-11 | 20100721 | CHINA P RP | 73049000 | CARBON STEEL SEAMLESS PIPES ASTM A 106 GR.B / API 5L GR. B | 124.00 | 29,508 | 36,59,019 | PUC |
| 2010-11 | 20100708 | CHINA P RP | 73043119 | COLD DRAWN SEAMLESS STEEL TUBES AS PER DIN STD 2391 50 MM OD X 38 MM ID | 123.00 | 46,889 | 57,67,354 | PUC |
| 2010-11 | 20100719 | CHINA P RP | 73045110 | BEARING QUALITY STEEL TUBE SAE-52100 SIZE 80.30X67.27MM | 121.73 | 60,159 | 73,22,991 | PUC |
| 2010-11 | 20100729 | CHINA P RP | 73049000 | SEAMLESS CARBON STEEL PIPES AS PER API 5L/ASTM A106/ASTM A53 GR. B SCH STD 12 | 121.00 | 43,298 | 52,39,045 | PUC |
| 2010-11 | 20100723 | CHINA P RP | 73049000 | SEAMLESS STEEL TUBE FOR CYLINDERS HOT ROLLED 34CRMO4 | 120.00 | 59,961 | 71,95,322 | PUC |
| 2010-11 | 20100705 | CHINA P RP | 73041910 | CARBON STEEL SEAMLESS PIPES AS PER 5L/ASTM A106 GRB OD42.2,48.3, 60.3WT 3.56, 3 | 120.00 | 42,496 | 50,99,485 | PUC |
| 2010-11 | 20100719 | CHINA P RP | 73049000 | CARBON STEEL SEAMLESS PIPE ASTM A106/A53/AP15L GR.B MIXED SIZES. | 119.00 | 29,811 | 35,47,468 | PUC |
| 2010-11 | 20100723 | CHINA P RP | 73045110 | BEARING QUALITY STEEL TUBE SAE-52100 SIZE 40.6X4.0MM | 116.00 | 71,644 | 83,10,732 | PUC |
| 2010-11 | 20100723 | FRANCE | 73045110 | COLD DRAWN SEAMLESS CARBON STEEL TUBES GRADE SAE1541(TS/V3/96.007 REV11) (SIZE: | 110.00 | 86,061 | 94,66,744 | PUC |
| 2010-11 | 20100728 | U ARAB EMTS | 73049000 | SECONDARY DEFECTIVE CARBON STEEL SEAMLESS PIPE | 110.00 | 21,244 | 23,36,788 | PUC |
| 2010-11 | 20100708 | CHINA P RP | 73069090 | BEARING SEAMLESS STEEL TUBES - 6200 OR (8 BDL) | 107.27 | 92,414 | 99,13,208 | PUC |
| 2010-11 | 20100724 | CHINA P RP | 73043939 | C.S SEAMLESS PIPES 15NB SCH80/21.3MM*3.73MM | 106.00 | 50,429 | 53,45,437 | PUC |
| 2010-11 | 20100714 | CHINA P RP | 73043939 | 100NB SCH-80 114.3MM* 11. 13MM (FOR SHIP BUILDING) | 105.00 | 52,353 | 54,97,063 | PUC |
| 2010-11 | 20100724 | CHINA P RP | 73043939 | C.S SEAMLESS PIPES 15NB SCH80/21.3MM*3.73MM | 105.00 | 50,723 | 53,25,958 | PUC |
| 2010-11 | 20100730 | CHINA P RP | 73049000 | SEAMLESS STEEL PIPES | 105.00 | 48,981 | 51,42,994 | PUC |
| 2010-11 | 20100730 | CHINA P RP | 73049000 | SEAMLESS CARBON STEEL PIPE ASTM A 106 GR B/A PI5L GR B SIZE:219.1 X 22.2 X 5 | 105.00 | 43,285 | 45,44,883 | PUC |
| 2010-11 | 20100702 | GERMANY | 73049000 | CARBON STEEL SEAMLESS PIPE SECONDARY/DEFECTIVE | 104.00 | 23,529 | 24,47,034 | PUC |
| 2010-11 | 20100708 | U ARAB EMTS | 73049000 | SECONDARY SECOND CARBON STEEL PIPES SEAMLESS / WELDED MIX LOT | 104.00 | 17,378 | 18,07,298 | PUC |
| 2010-11 | 20100719 | CHINA P RP | 73043939 | 100NB SCH-80 114.3MM*11.13MM (FOR SHIP BUILDING) | 104.00 | 52,216 | 54,30,444 | PUC |
| 2010-11 | 20100724 | CHINA P RP | 73043939 | C.S SEAMLESS PIPES 15NB SCH80/21.3MM*3.73MM | 104.00 | 51,370 | 53,42,498 | PUC |
| 2010-11 | 20100723 | CHINA P RP | 73049000 | SEAMLESS STEEL TUBE FOR CYLINDERS HOT ROLLED 37MN | 104.00 | 49,658 | 51,64,398 | PUC |
| 2010-11 | 20100729 | SWEDEN | 73045110 | SECONDARY & DEFECTIVE SEAMLESS STEEL TUBES (ALLOY), GRADE:ST52-3, SIZE: THIXWID | 103.00 | 32,250 | 33,21,784 | PUC |
| 2010-11 | 20100730 | SAUDI ARAB | 73049000 | SECONDARY SECOND CARBON STEEL SEAMLESS / WELDED PIPES MIXED THICKNESS MIXED LO | 103.00 | 16,914 | 17,42,108 | PUC |
| 2010-11 | 20100730 | SAUDI ARAB | 73049000 | SECONDARY SECOND CARBON STEEL SEAMLESS / WELDED PIPES MIXED THICKNESS MIXED LO | 103.00 | 16,912 | 17,41,939 | PUC |
| 2010-11 | 20100726 | CHINA P RP | 73043119 | COLD DRAWN SEAMLESS STEEL TUBES AS PER DIN STD 2391 50 MM OD X 38 MM ID | 102.00 | 46,241 | 47,16,605 | PUC |
| 2010-11 | 20100714 | CHINA P RP | 73045910 | SEAMLESS STEEL PIPE FOR CYLINDERS (OD - 108.00MM WT 4.0MM L-5620MM) | 102.00 | 45,755 | 46,67,052 | PUC |
| 2010-11 | 20100723 | GERMANY | 73049000 | CARBON STEEL SEAMLESS PIPE SECONDARY/DEFECTIVE | 100.00 | 24,345 | 24,34,463 | PUC |
| 2010-11 | 20100703 | U ARAB EMTS | 73049000 | SECONDARY SECOND CARBON STEEL PIPES SEAMLESS / WELDED MIX LOT | 100.00 | 17,435 | 17,43,525 | PUC |
| 2010-11 | 20100717 | CHINA P RP | 73049000 | PRIME CARBON STEEL SEAMLESS PIPES TO ASTM A 106 GR. B | 100.00 | 30,154 | 30,15,377 | PUC |
| 2010-11 | 20100712 | CHINA P RP | 73049000 | COLD DRAWN SEAMLESS STEEL PIPES TO ASTM A 106 GR.B | 100.00 | 29,109 | 29,10,900 | PUC |
| 2010-11 | 20100712 | GERMANY | 73041910 | MILD STEEL SEAMLESS PIPES (SECOND CHOICE) | 99.00 | 32,789 | 32,46,117 | PUC |
| 2010-11 | 20100726 | CHINA P RP | 73049000 | SEAMLESS STEEL TUBE FOR CYLINDERS HOT ROLLED 34CRMO4 | 99.00 | 60,345 | 59,74,153 | PUC |
| 2010-11 | 20100723 | CHINA P RP | 73043939 | HIGH PRESSURE GAS CYLINDER SEAMLESS STEEL TUBE(OD 232 MM*WT5.4 MM) | 99.00 | 46,953 | 46,48,339 | PUC |
| 2010-11 | 20100713 | CHINA P RP | 73043919 | CARBON STEEL SEAMLESS TUBES TO ASTM A 179 FULLY KILLED STEEL (SIZE 30 MM OD X | 99.00 | 41,377 | 40,96,316 | PUC |
| 2010-11 | 20100702 | CHINA P RP | 73045110 | BEARING QUALITY STEEL TUBE SAE-52100 AND SUJ-3 SIZE 65.7 X 11.1 MM | 98.00 | 75,935 | 74,41,583 | PUC |
| 2010-11 | 20100722 | CHINA P RP | 73043919 | CARBON STEEL SEAMLESS TUBES TO ASTM A 179 60.3X3.5X9-11.8M | 98.00 | 41,493 | 40,66,282 | PUC |
| 2010-11 | 20100717 | CHINA P RP | 73045110 | BEARING QUALITY STEEL TUBE SAE -52100 AND SUJ-3 6213OR 121.1X9.1MM | 97.00 | 78,224 | 75,87,765 | PUC |
| 2010-11 | 20100719 | CHINA P RP | 73049000 | CARBON STEEL SEAMLESS PIPES AS PER API 5L / DIN 17175 ST 35.8 SIZE 60MM X 6MM X | 97.00 | 45,042 | 43,69,030 | PUC |
| 2010-11 | 20100706 | ITALY | 73043911 | COLD DRAWN SEAMLESS STEEL TUBE130.00 X 7.50 X 4000.00.00 E 355 | 96.28 | 77,780 | 74,88,962 | PUC |

**Import Data from DGCIS [All Countries PUC]
Apr 2009 to Jun 2012**

| Year | Date | Country | ITC-HS | Item-Des | Quantity (MT) | Price (Rs./MT) | Value (Rs) | PUC/ NPUC |
|---------|----------|-------------|----------|---|---------------|----------------|------------|--------------|
| 2010-11 | 20100721 | ITALY | 73069090 | SEAMLESS COLD DRAWN TUBES (105.00 X 90.00 X **** MM) | 96.08 | 79,401 | 76,28,875 | PUC |
| 2010-11 | 20100707 | GERMANY | 73041990 | CARBON STEEL SEAMLES PIPE SECONDARY DEFECTIVE | 96.00 | 23,578 | 22,63,460 | PUC |
| 2010-11 | 20100707 | CHINA P RP | 73049000 | SEAMLESS STEEL TUBE FOR LIQUID SERVICE - 140 X 5 X 9 MM20 - GB/T 8163 -2008 | 96.00 | 37,180 | 35,69,239 | PUC |
| 2010-11 | 20100708 | KUWAIT | 73049000 | SECONDARY CARBON STEEL PIPES SEAMLESS | 95.00 | 17,807 | 16,91,678 | PUC |
| 2010-11 | 20100707 | CHINA P RP | 73049000 | CARBON STEEL SEAMLESS PIPES AS PER API 5L / DIN 17175 ST 35.8 SIZE 114.3 MM X | 95.00 | 45,500 | 43,22,532 | PUC |
| 2010-11 | 20100716 | GERMANY | 73049000 | CARBON STEEL SECOND CHOICE SEAMLESS PIPE | 94.00 | 20,389 | 19,16,533 | PUC |
| 2010-11 | 20100730 | CHINA P RP | 73049000 | SEAMLESS CARBON STEEL PIPES AS PER API 5L GR B/ASTM A106/ASTM A 53 GR.B(OD 73MM | 91.00 | 41,979 | 38,20,052 | PUC |
| 2010-11 | 20100723 | CHINA P RP | 73041110 | CS TUBE-CS SEAMLESS TUBE S 179-25 O/DX2.5 WT X MM LG | 88.00 | 53,981 | 47,50,307 | PUC |
| 2010-11 | 20100709 | CHINA P RP | 73043929 | HOT ROLLED TUBES (STEEL TUBES) OD102.00MM*WT11.00MM | 82.40 | 54,931 | 45,26,355 | PUC |
| 2010-11 | 20100730 | CHINA P RP | 73043119 | CARBON STEEL SEAMLESS PIPES ASTM-A106B-API 5L 3 SCH 40 | 81.00 | 30,222 | 24,47,950 | PUC |
| 2010-11 | 20100702 | CHINA P RP | 73045110 | BEARING QUALITY STEEL TUBE SAE-52100 AND SUJ-3 (TMB6007IR 44.05X4.9MM) | 80.00 | 75,163 | 60,13,031 | PUC |
| 2010-11 | 20100727 | CHINA P RP | 73041990 | SEAMLESS CARBON STEEL PIPES AS PER ASTM A106 GR.B/API 5L GR.B 80X8.5X5800MM | 80.00 | 35,347 | 28,27,770 | PUC |
| 2010-11 | 20100714 | CHINA P RP | 73049000 | CARBON STEEL SEAMLESS PIPES ASTM A106 GR B | 77.00 | 31,385 | 24,16,676 | PUC |
| 2010-11 | 20100723 | CHINA P RP | 73049000 | CARBON STEEL SEAMLESS PIPE | 77.00 | 28,859 | 22,22,139 | PUC |
| 2010-11 | 20100729 | SWEDEN | 73045110 | SECONDARY & DEFECTIVE SEAMLESS STEEL TUBES (ALLOY), GRADE:100CR6, SIZE: THIXWID | 76.00 | 31,937 | 24,27,209 | PUC |
| 2010-11 | 20100723 | CHINA P RP | 73041990 | COLD DRAWN CARBON STEEL SEAMLESS TUBES (SIZE OD 38 X THK 4 X LENGTH 10000-1180 | 76.00 | 41,537 | 31,56,816 | PUC |
| 2010-11 | 20100726 | U ARAB EMTS | 73049000 | CARBON STEEL PIPES (SECONDARY DEFECTIVE) NON ALLOY. | 75.00 | 22,241 | 16,68,049 | PUC |
| 2010-11 | 20100708 | CHINA P RP | 73041990 | SEAMLESS PIPE API 5L GR.B/ASTM A106 GR.B/ASTM A53 GR.B (SIZE 48.3 X 3.68 MM)(N | 75.00 | 51,685 | 38,76,352 | PUC |
| 2010-11 | 20100712 | CHINA P RP | 73043911 | SEAMLESS STEEL TUBES (GRADE: 34CRM04) SIZE: 267MM X 6MM LENGTH (M): MULTIPLE LE | 75.00 | 47,164 | 35,37,309 | PUC |
| 2010-11 | 20100708 | CHINA P RP | 73043119 | CARBON STEEL SEAMLESS PIPE AS PER K55 ; 270 X 21 MM | 75.00 | 46,989 | 35,24,201 | PUC |
| 2010-11 | 20100730 | CHINA P RP | 73043119 | CARBON STEEL SEAMLESS PIPE ASTM A 106 GR B - 6 SCH40 | 75.00 | 36,782 | 27,58,660 | PUC |
| 2010-11 | 20100720 | BELGIUM | 73049000 | SECONDARY CARBON SEAMLESS PIPE | 73.00 | 20,255 | 14,78,640 | PUC |
| 2010-11 | 20100712 | CHINA P RP | 73045110 | BEARING QUALITY STEEL TUBE SAE-52100 6002IR 21.0*3.6MM | 73.00 | 75,751 | 55,29,856 | PUC |
| 2010-11 | 20100708 | CHINA P RP | 73042990 | NON ALLOY STEEL SEAMLESS PIPES API 5L GRADE 'B' 219.10 MM X10.31 MM | 72.00 | 46,796 | 33,69,347 | PUC |
| 2010-11 | 20100719 | CHINA P RP | 73049000 | CARBON STEEL SEAMLESS PIPES 24 X SCH40 X 5-7M ASTM A106 GR-B | 72.00 | 42,105 | 30,31,538 | PUC |
| 2010-11 | 20100707 | CHINA P RP | 73041990 | SEAMLESS CARBON STEEL PIPES AS PER ASTM A106 GR.B/API 5L GR.B 97X8.5X5800MM | 70.00 | 34,666 | 24,26,620 | PUC |
| 2010-11 | 20100701 | CHINA P RP | 73045910 | CARBON SEAMLESS STEEL TUBES ASME SA210M GR.A1 50.8 OD X 5.6 MIN WT X 6000 LG | 69.67 | 38,643 | 26,92,273 | PUC |
| 2010-11 | 20100621 | U S A | 73041990 | SECONDARY AND DEFECTIVE SEAMLESS PIPES | 69.00 | 22,189 | 15,31,037 | PUC |
| 2010-11 | 20100710 | SAUDI ARAB | 73049000 | SECONDARY SECOND CARBON STEEL SEAMLESS / WELDED PIPES MIXED THICKNESS MIXED LO | 69.00 | 16,735 | 11,54,741 | PUC |
| 2010-11 | 20100712 | CHINA P RP | 73049000 | CARBON STEEL SEAMLESS PIPE ASTM A 106 GR B / A 53 GR B / API 5L GR B SIZE 24 I | 68.00 | 48,502 | 32,98,129 | PUC |
| 2010-11 | 20100719 | CHINA P RP | 73043119 | SEAMLESS COLD DRAWN LINE PIPES API 5L GR B/ASTM A 106 GR B IBR WITH BV SIZE:60. | 67.00 | 42,022 | 28,15,495 | PUC |
| 2010-11 | 20100713 | SAUDI ARAB | 73049000 | SECONDARY SECOND CARBON STEEL SEAMLESS / WELDED PIPES MIXED THICKNESS MIXED LO | 66.00 | 16,668 | 11,00,070 | PUC |
| 2010-11 | 20100731 | ITALY | 73069090 | SEAMLESS COLD DRAWN TUBES (82.00 X 70.00 X ****MM) | 64.44 | 1,02,878 | 66,29,176 | PUC |
| 2010-11 | 20100729 | CHINA P RP | 73041190 | CARBON STEEL SEAMLESS BLACK PIPE (ASTM 106 GR.B-API 5L GR.B) (6 X SCH40 X 5-5. | 64.00 | 45,823 | 29,32,668 | PUC |
| 2010-11 | 20100729 | CHINA P RP | 73041190 | CARBON STEEL SEAMLESS BLACK PIPE (ASTM 106 GR.B-API 5L GR.B) (6 X SCH40 X 5-5. | 64.00 | 45,804 | 29,31,487 | PUC |
| 2010-11 | 20100729 | CHINA P RP | 73041190 | CARBON STEEL SEAMLESS BLACK PIPE (ASTM 106 GR.B-API 5L GR.B) (6 X SCH40 X 5-5. | 64.00 | 45,709 | 29,25,359 | PUC |
| 2010-11 | 20100729 | CHINA P RP | 73041190 | CARBON STEEL SEAMLESS BLACK PIPE (ASTM 106 GR.B-API 5L GR.B) (6 X SCH40 X 5-5. | 63.00 | 45,201 | 28,47,638 | PUC |
| 2010-11 | 20100719 | CHINA P RP | 73049000 | CARBON STEEL SEAMLESS TUBE AS PER A210 GRA1 SIZE 51MM X 2.3MM X 3700MM LONG | 59.00 | 47,220 | 27,85,993 | PUC |
| 2010-11 | 20100716 | U ARAB EMTS | 73043119 | STOCK LOT S/D CARBON STEEL SEAMLESS PIPE | 58.00 | 43,657 | 25,32,098 | PUC |
| 2010-11 | 20100724 | OMAN | 73049000 | CARBON STEEL PIPE (SECONDARY & DEFECTIVE)PSI.CFT.NO.0008/U/D/108569/J,REF:PG/05 | 56.00 | 21,260 | 11,90,535 | PUC |
| 2010-11 | 20100719 | GERMANY | 73043139 | HYDRAULIC CYLINDER TUBE SIZE ; 120 X 100MM | 55.90 | 48,152 | 26,91,777 | PUC |

**Import Data from DGCIS [All Countries PUC]
Apr 2009 to Jun 2012**

| Year | Date | Country | ITC-HS | Item-Des | Quantity (MT) | Price (Rs./MT) | Value (Rs) | PUC/ NPUC |
|---------|----------|-------------|----------|---|---------------|----------------|------------|--------------|
| 2010-11 | 20100702 | ITALY | 73069090 | SEAMLESS COLD DRAWN TUBES (131,00 X 115,00 X **** MM) | 55.23 | 68,703 | 37,94,211 | PUC |
| 2010-11 | 20100728 | BELGIUM | 73049000 | SECONDARY SEAMLESS PIPES | 55.00 | 26,636 | 14,64,987 | PUC |
| 2010-11 | 20100729 | U ARAB EMTS | 73049000 | SECONDARY/DEFECTIVE CARBON STEEL SEAMLESS PIPE | 55.00 | 24,240 | 13,33,219 | PUC |
| 2010-11 | 20100709 | CHINA P RP | 73049000 | CARBON STEEL SEAMLESS PIPE (2 INCH SCH 80X5-5.8M) | 54.85 | 1,01,631 | 55,74,953 | PUC |
| 2010-11 | 20100723 | GERMANY | 73049000 | SECONDARY DEFECTIVE CARBON STEEL SEAMLESS PIPE | 54.00 | 23,691 | 12,79,287 | PUC |
| 2010-11 | 20100729 | CHINA P RP | 73041190 | CARBON STEEL SEAMLESS BLACK PIPE (ASTM 106 GR.B) (6 X SCH40 X 5-5.80 MTR) | 54.00 | 46,410 | 25,06,127 | PUC |
| 2010-11 | 20100721 | CONGO P REP | 73049000 | SECONDARY CARBON STEEL SEAMLESS PIPE (M.S.) | 53.00 | 21,855 | 11,58,323 | PUC |
| 2010-11 | 20100729 | U K | 73049000 | SECONDARY SURPLUS CARBON STEEL SEAMLESS PIPE | 52.00 | 24,161 | 12,56,380 | PUC |
| 2010-11 | 20100714 | CANADA | 73049000 | SECONDARY SURPLUS CARBON STEEL SEAMLESS PIPE | 52.00 | 23,577 | 12,25,982 | PUC |
| 2010-11 | 20100730 | SAUDI ARAB | 73049000 | SECONDARY SECON CARBON STEEL SEAMLESS / WELDED PIPES MIXED THICKNESS MIXED LO | 52.00 | 17,069 | 8,87,572 | PUC |
| 2010-11 | 20100701 | GERMANY | 73043119 | SEAMLESS TUBE HOLLOW ST 30 AL (SIZE : 30,000 X 4,000 MM) (RL 10,000.00MM -12, | 51.00 | 45,072 | 22,98,672 | PUC |
| 2010-11 | 20100729 | SWEDEN | 73045110 | SECONDARY & DEFECTIVE SEAMLESS STEEL TUBES (ALLOY), GRADE:ST52-3, SIZE: THIXWID | 51.00 | 32,845 | 16,75,078 | PUC |
| 2010-11 | 20100703 | SWEDEN | 73045110 | SECONDARY AND DEFECTIVE SEAMLESS STEEL TUBES (ALLOY), GRADE: ST 52-3, SIZE: THI | 51.00 | 32,755 | 16,70,504 | PUC |
| 2010-11 | 20100714 | CANADA | 73049000 | SECONDARY SURPLUS CARBON STEEL SEAMLESS PIPE | 51.00 | 23,622 | 12,04,737 | PUC |
| 2010-11 | 20100721 | CHINA P RP | 73043919 | CARBON STEEL SEAMLESS TUBES TO ASTM A 106/API 5L GR B (SIZE21.3 MM OD X 3.73 MM | 51.00 | 41,854 | 21,34,570 | PUC |
| 2010-11 | 20100715 | SAUDI ARAB | 73049000 | SECONDARY SECON CARBON STEEL SEAMLESS / WELDED PIPES MIXED THICKNESS MIXED LO | 50.00 | 16,880 | 8,43,996 | PUC |
| 2010-11 | 20100709 | CHINA P RP | 73043119 | SEAMLESS CARBON STEEL PIPES (API5L/ASTM A106/A53 GRB)(114.3MM X 8.56MM) | 50.00 | 42,928 | 21,46,403 | PUC |
| 2010-11 | 20100729 | CHINA P RP | 73049000 | SEAMLESS CARBON STEEL PIPES AS PER API 5L/ASTM A106/ASTM A53 GR.B SIZE INCH:4 X | 50.00 | 41,853 | 20,92,662 | PUC |
| 2010-11 | 20100719 | CHINA P RP | 73049000 | SEAMLESS CARBON STEEL PIPES ASTM A106 GR B | 50.00 | 31,278 | 15,63,894 | PUC |
| 2010-11 | 20100701 | CHINA P RP | 73049000 | CARBON STEEL SEAMLESS PIPE CONFIRMING TO API 5L GR.B / ASTM A106 GR.B | 50.00 | 25,926 | 12,96,290 | PUC |
| 2010-11 | 20100707 | CHINA P RP | 73041910 | SEAMLESS STEEL PIPE ASTM A 106 GR-B/ API 5L GR.B 3/4 XSCH40X5.8MTR | 49.31 | 44,981 | 22,17,997 | PUC |
| 2010-11 | 20100721 | CHINA P RP | 73043919 | CARBON STEEL SEAMLESS TUBES TO ASTM A 333 GR 6 (SIZE 33.4 MM OD X 3.4 MM WEIGHT | 49.00 | 50,705 | 24,84,558 | PUC |
| 2010-11 | 20100714 | CHINA P RP | 73049000 | CARBON STEEL SEAMLESS PIPES - 60.3MM X 5.54MM | 49.00 | 47,577 | 23,31,293 | PUC |
| 2010-11 | 20100706 | CHINA P RP | 73043119 | SEAMLESS CARBON STEEL PIPES (API 5L/ASTM A 106/A53 GR.B)(273.1 MM X 6.35 MM) 3 | 49.00 | 44,433 | 21,77,212 | PUC |
| 2010-11 | 20100719 | CHINA P RP | 73043119 | (CARBON STEEL SEAMLESS PIPES ASTM A106-GR.B)24 X SCH 40 | 49.00 | 42,425 | 20,78,810 | PUC |
| 2010-11 | 20100713 | CHINA P RP | 73041990 | SEAMLESS LINE PIPE API 5L GR.B/ASTM A-106 GR.B/ASTM A-53.B(SIZE 33.4 X 4.55 MM | 49.00 | 38,738 | 18,98,147 | PUC |
| 2010-11 | 20100702 | CHINA P RP | 73049000 | SEAMLESS CARBON STEEL PIPES API 5LB/ASTM A106B/A53B | 49.00 | 31,536 | 15,45,260 | PUC |
| 2010-11 | 20100715 | CHINA P RP | 73049000 | CARBON STEEL SEAMLESS PIPES CONFIRMING TO API 5L GR. B / ASTM A106 GR.B | 49.00 | 29,287 | 14,35,074 | PUC |
| 2010-11 | 20100713 | CHINA P RP | 73045130 | COLD DRAWN SEAMLESS ALLOY STEEL TUBES GRADE: ASME SA210 GR.A1 SIZE: 76.2 OD X 4 | 48.97 | 52,993 | 25,95,059 | PUC |
| 2010-11 | 20100715 | CHINA P RP | 73043119 | SEAMLESS CARBON STEEL AND ALLOY STEEL TUBES.OD 57.15 X 4.0 X R/L OF 10-12 MTR G | 48.87 | 1,04,196 | 50,91,664 | PUC |
| 2010-11 | 20100730 | U ARAB EMTS | 73049000 | SECONDARY CARBON STEEL PIPES SEAMLESS | 48.00 | 17,979 | 8,62,975 | PUC |
| 2010-11 | 20100715 | KUWAIT | 73049000 | SECONDARY CARBON STEEL PIPES SEAMLESS | 48.00 | 17,899 | 8,59,148 | PUC |
| 2010-11 | 20100715 | CHINA P RP | 73049000 | CARBON STEEL SEAMLESS PIPES - 219.1MM X 23.01MM | 48.00 | 39,992 | 19,19,612 | PUC |
| 2010-11 | 20100723 | CHINA P RP | 73049000 | CARBON STEEL SEAMLESS PIPES - 60.3MM X 8.74MM | 48.00 | 39,751 | 19,08,044 | PUC |
| 2010-11 | 20100729 | CHINA P RP | 73049000 | SEAMLESS CARBON STEEL PIPES 230*16*5500-5850MM | 48.00 | 29,944 | 14,37,325 | PUC |
| 2010-11 | 20100707 | JAPAN | 73049000 | ALLOY STEEL SEAMLESS STEEL TUBES O.D.47.55MMXW/TH 6.35MM | 47.86 | 1,54,289 | 73,83,900 | PUC |
| 2010-11 | 20100722 | U S A | 73049000 | SECONDARY/DEFECTIVE CARBON STEEL SEAMLESS PIPE | 47.00 | 24,141 | 11,34,634 | PUC |
| 2010-11 | 20100724 | GERMANY | 73049000 | M.S SEAMLESS PIPE SECONDARY SECON CHOICE MIX | 47.00 | 21,546 | 10,12,640 | PUC |
| 2010-11 | 20100716 | CHINA P RP | 73043119 | SEAMLESS CARBON STEEL PIPES (API 5L/ ASTM A 106/A53 GR.B) (219.1 MM X 8.18 MM) | 47.00 | 44,198 | 20,77,318 | PUC |
| 2010-11 | 20100715 | U ARAB EMTS | 73049000 | SECONDARY SECON CHOICE CARBON STEEL SEAMLESS PIPE STOCK MIX SIZE MIX LOT. | 46.00 | 24,546 | 11,29,093 | PUC |
| 2010-11 | 20100719 | CHINA P RP | 73041110 | CS TUBE-CS SEAMLESS TUBE-SA 179-25 O/DX 3 WT X 12500 MM LG(10674.00 MTRS) | 46.00 | 56,263 | 25,88,119 | PUC |

**Import Data from DGCIS [All Countries PUC]
Apr 2009 to Jun 2012**

| Year | Date | Country | ITC-HS | Item-Des | Quantity (MT) | Price (Rs./MT) | Value (Rs) | PUC/ NPUC |
|---------|----------|-------------|----------|---|---------------|----------------|------------|--------------|
| 2010-11 | 20100716 | CHINA P RP | 73049000 | SEAMLESS STEEL PIPES ASTM A106 GR.B/API 5L GR.B/A53 GR.B SIZE 80MM XSCH40 X 8 | 46.00 | 39,535 | 18,18,629 | PUC |
| 2010-11 | 20100705 | CHINA P RP | 73043119 | SEAMLESS STEEL TUBE API 5L GRADE B 42.5 X 5.5 X 5000-5800MM | 45.32 | 42,114 | 19,08,655 | PUC |
| 2010-11 | 20100708 | U S A | 73049000 | SECONDARY SECOND CHOICE CARBON STEEL SEAMLESS/WELDED PIPES | 45.00 | 21,405 | 9,63,226 | PUC |
| 2010-11 | 20100729 | KUWAIT | 73049000 | SECONDARY CARBON STEEL PIPES SEAMLESS | 45.00 | 18,125 | 8,15,616 | PUC |
| 2010-11 | 20100728 | SAUDI ARAB | 73049000 | SECONDARY SECOND CARBON STEEL SEAMLESS / WELDED PIPES MIXED THICKNESS MIXED LO | 45.00 | 16,710 | 7,51,936 | PUC |
| 2010-11 | 20100712 | CHINA P RP | 73049000 | SEAMLESS CARBON STEEL PIPES SIZE:122*7.5*5800 MM | 45.00 | 30,147 | 13,56,614 | PUC |
| 2010-11 | 20100702 | U ARAB EMTS | 73049000 | SECONDARY SECOND CHOICE CARBON STEEL SEAMLESS PIPE, STOCK MIX SIZE & MIX LOT | 44.00 | 24,462 | 10,76,307 | PUC |
| 2010-11 | 20100716 | CHINA P RP | 73049000 | COLD DRAWN SEAMLESS TUBE | 44.00 | 51,412 | 22,62,137 | PUC |
| 2010-11 | 20100702 | CHINA P RP | 73049000 | CARBON STEEL SEAMLESS PIPE API 5L/ASTM A106/A53 GR.B SIZE(273.1MM X 7.8MM) | 44.00 | 37,576 | 16,53,341 | PUC |
| 2010-11 | 20100708 | SWEDEN | 73043119 | COLD DRAWN SEAMLESS STEEL TUBES VCE090 105X90.00H8 | 42.97 | 74,973 | 32,21,673 | PUC |
| 2010-11 | 20100709 | CHINA P RP | 73049000 | CARBON STEEL SEAMLESS PIPES(SIZE:OD 88.9)-16 BAR-DIN 1629/ST 37 | 42.45 | 47,478 | 20,15,628 | PUC |
| 2010-11 | 20100721 | JAPAN | 73042990 | ALLOY STEEL SEAMLESS TUBE (OD42.65MM X WT4.00MM) | 42.00 | 93,240 | 39,16,064 | PUC |
| 2010-11 | 20100702 | CHINA P RP | 73045910 | CARBON SEAMLESS STEEL TUBES ASME SA210M GR.A1 38.1 OD X 3.66 MIN WT X 11000 LG | 40.72 | 57,857 | 23,56,187 | PUC |
| 2010-11 | 20100719 | CHINA P RP | 73043119 | BOILER QUALITY COLD DRAWN SEAMLESS CARBON STEEL TUBES CONFIRMING-BS3059 PT-II G | 40.00 | 53,722 | 21,48,879 | PUC |
| 2010-11 | 20100709 | CHINA P RP | 73043119 | COLD DRAWN CARBON STEEL SEAMLESS TUBES ASTM A106 GR.B 73X9.53X5800MM | 40.00 | 40,348 | 16,13,921 | PUC |
| 2010-11 | 20100712 | CHINA P RP | 73043139 | HYDRAULIC CYLINDER TUBE SIZE: 140 X 125MM | 39.37 | 33,557 | 13,21,224 | PUC |
| 2010-11 | 20100713 | SAUDI ARAB | 73049000 | SECONDARY SECOND CARBON STEEL SEAMLESS / WELDED PIPES MIXED THICKNESS MIXED LO | 39.00 | 16,958 | 6,61,371 | PUC |
| 2010-11 | 20100708 | CHINA P RP | 73049000 | COLD DRAWN SEAMLESS TUBE | 39.00 | 52,128 | 20,32,985 | PUC |
| 2010-11 | 20100712 | CHINA P RP | 73049000 | PRIME CARBON STEEL SEAMLESS PIPES TO ASTM A106 GR.B | 39.00 | 31,322 | 12,21,570 | PUC |
| 2010-11 | 20100729 | KUWAIT | 73049000 | SECONDARY CARBON STEEL PIPES SEAMLESS | 38.00 | 18,170 | 6,90,452 | PUC |
| 2010-11 | 20100713 | ITALY | 73043911 | COLD DRAWN SEAMLESS STEEL TUBE130,50 X 7,75 X 1,00 E355 | 36.92 | 79,425 | 29,32,082 | PUC |
| 2010-11 | 20100721 | CHINA P RP | 73042390 | EXTERNAL UPSETED DRILL PIPE CONFIRMING API 5D SPEC 7, GRADE E-75, 2 7/8 OD, 9. | 36.00 | 1,13,988 | 41,03,571 | PUC |
| 2010-11 | 20100723 | CHINA P RP | 73045110 | BEARING QUALITY STEEL TUBE SAE-52100 SIZE 40.6 X 4.0MM | 36.00 | 73,298 | 26,38,714 | PUC |
| 2010-11 | 20100729 | CHINA P RP | 73043119 | 38.1 OD X 5 WT X 5200 LG /SEAMLESS TUBES | 34.59 | 44,612 | 15,43,149 | PUC |
| 2010-11 | 20100726 | U ARAB EMTS | 73049000 | SECONDARY SEOND CHOICE CARBON STEEL SEAMLESS PIPE STOCK MIXED LOT & MIXED SIZE. | 33.00 | 24,287 | 8,01,479 | PUC |
| 2010-11 | 20100712 | CHINA P RP | 73049000 | CARBON STEEL SEAMLESS PIPE API5L/ASTM A53/106 GR.B | 33.00 | 31,422 | 10,36,917 | PUC |
| 2010-11 | 20100721 | CHINA P RP | 73043129 | STEEL HONED TUBES (OD 146 X ID 114 X 8690 MM) | 32.07 | 57,834 | 18,54,786 | PUC |
| 2010-11 | 20100715 | CHINA P RP | 73045110 | STEEL TUBE DIA 4.76 0.55MM WITH ZINC COATED | 31.42 | 68,218 | 21,43,268 | PUC |
| 2010-11 | 20100706 | JAPAN | 73044900 | HOT FINISHED SEAMLESS CARBON STEEL TUBES (SIZE : OD50. 80MM X 3.50MM X 6000MM) | 29.00 | 1,03,110 | 29,90,178 | PUC |
| 2010-11 | 20100724 | CHINA P RP | 73043119 | SEAMLESS CARBON STEEL AND ALLOY STEEL TUBES.OD 44.50 X 3.66 X R/L OF 10-12MTR.G | 28.76 | 1,00,866 | 29,00,448 | PUC |
| 2010-11 | 20100719 | U S A | 73069090 | A519 COLD DRAWN SEAMLESS TUBING (SIZE: 214MM OD X 161.54MM ID) | 28.31 | 1,64,150 | 46,47,189 | PUC |
| 2010-11 | 20100708 | U ARAB EMTS | 73049000 | SECONDARY SECOND CARBON STEEL PIPES SEAMLESS / WELDED MIX LOT | 28.00 | 17,460 | 4,88,866 | PUC |
| 2010-11 | 20100709 | CHINA P RP | 73043119 | COLD DRAWN CARBON STEEL SEAMLESS TUBES ASTM A106 GR.B. 2 1/2 XSCH160X5800MM | 27.00 | 46,240 | 12,48,467 | PUC |
| 2010-11 | 20100729 | U K | 73049000 | SECONDARY SURPLUS CARBON STEEL SEAMLESS PIPE | 26.00 | 24,357 | 6,33,287 | PUC |
| 2010-11 | 20100726 | U ARAB EMTS | 73049000 | CARBON STEEL PIPES (SECONDARY DEFECTIVE) NON ALLOY. | 26.00 | 22,164 | 5,76,271 | PUC |
| 2010-11 | 20100701 | GERMANY | 73045120 | COLD DRAWN SEAMLESS STEEL TUBES (OD 190MMXID 160MMXL 4-6M) FOR HYDRAULIC CYLIND | 25.90 | 48,775 | 12,63,432 | PUC |
| 2010-11 | 20100727 | CHINA P RP | 73043939 | SEAMLESS STEEL PIPE: ASTM A106 GR-B (SIZE: 273 MM X 21.44 MM) | 25.46 | 43,664 | 11,11,673 | PUC |
| 2010-11 | 20100702 | U ARAB EMTS | 73049000 | SECONDARY SECOND CHOICE CARBON STEEL SEAMLESS PIPE STOCK MIX SIZE & MIX LOT | 25.00 | 24,466 | 6,11,642 | PUC |
| 2010-11 | 20100702 | CHINA P RP | 73049000 | SEAMLESS STEEL PIPE89MM X 9.5MM X 5800MM | 25.00 | 45,661 | 11,41,517 | PUC |
| 2010-11 | 20100720 | CHINA P RP | 73041990 | SEAMLESS CARBON MILD STEEL PIPES SAE-1040 CDS5 70X8.73 | 25.00 | 44,292 | 11,07,303 | PUC |
| 2010-11 | 20100702 | CHINA P RP | 73049000 | CARBON STEEL SEAMLESS PIPE API 5L/ASTM A106/A53 GR.B SIZE(114.3MM X 13.49MM) | 25.00 | 38,400 | 9,60,002 | PUC |

**Import Data from DGCIS [All Countries PUC]
Apr 2009 to Jun 2012**

| Year | Date | Country | ITC-HS | Item-Des | Quantity (MT) | Price (Rs./MT) | Value (Rs) | PUC/ NPUC |
|---------|----------|-------------|----------|--|---------------|----------------|------------|--------------|
| 2010-11 | 20100730 | CHINA P RP | 73041190 | CARBON STEEL SEAMLESS PIPES ASTM A 106-GRADE A42.2MMX3.8MMX5800MM | 25.00 | 37,804 | 9,45,094 | PUC |
| 2010-11 | 20100716 | CHINA P RP | 73049000 | CARBON STEEL SEAMLESS PIPES API 5L/ASTM A106 GRADE B | 25.00 | 37,727 | 9,43,182 | PUC |
| 2010-11 | 20100730 | CHINA P RP | 73049000 | CARBON STEEL SEAMLESS PIPE AP15L/A106GR.B | 25.00 | 28,835 | 7,20,872 | PUC |
| 2010-11 | 20100729 | CHINA P RP | 73049000 | CARBON STEEL SEAMLESS PIPE SECONDARY DEFECTIVE | 25.00 | 24,756 | 6,18,907 | PUC |
| 2010-11 | 20100716 | CHINA P RP | 73043939 | COLD DRAWN SEAMLESS STEEL TUBES GR. ASME SA210 GR.A1 SIZE (MM) : 38.1 OD X 4.5 | 24.77 | 43,025 | 10,65,676 | PUC |
| 2010-11 | 20100726 | ITALY | 73041190 | SEAMLESS COLD DRAWN TUBES FOR HYDRAULIC CYLINDER ACCORDING 116.00X****X10.50MM | 24.35 | 97,596 | 23,76,660 | PUC |
| 2010-11 | 20100712 | BELGIUM | 73049000 | SECONDARY ALLOY STEEL SEAMLESS PIPES IN MIXED SIZES/MIXED THICKNESS AND MIXED L | 24.00 | 75,411 | 18,09,873 | PUC |
| 2010-11 | 20100723 | CHINA P RP | 73043939 | HIGH PRESSURE GAS CYLINDER SEAMLESS STEEL TUBE (OD 232MM* WT 5.4MM) | 24.00 | 60,136 | 14,43,252 | PUC |
| 2010-11 | 20100706 | CHINA P RP | 73043119 | COLD DRAWN SEAMLESS PIPES API 5L GR.B/ASTM A 106 GR.B SIZE:60.3 X 3.71X6000-700 | 24.00 | 44,025 | 10,56,593 | PUC |
| 2010-11 | 20100723 | CHINA P RP | 73041990 | COLD DRAWN CARBON STEEL SEAMLESS TUBES (SIZE OD 27 X THK 3 X LENGTH 10000-11800 | 24.00 | 41,495 | 9,95,883 | PUC |
| 2010-11 | 20100702 | CHINA P RP | 73049000 | CARBON STEEL SEAMLESS PIPES API5L/ASTM - A106/A53 GR B 114.MM X 8.56MM | 24.00 | 39,034 | 9,36,827 | PUC |
| 2010-11 | 20100713 | CHINA P RP | 73043119 | CARBON SEAMLESS STEEL PIPE API 5L GR B/ASTM A 106 GR.B 8 XSCH 100 | 24.00 | 37,940 | 9,10,567 | PUC |
| 2010-11 | 20100701 | GERMANY | 73041110 | SEAMLESS STEEL TEE ST35.81 SIZE: 114,3 X 4,5 X 114,3 X 48,3 X 3,6 DIN EN EN102 | 23.50 | 1,00,163 | 23,53,834 | PUC |
| 2010-11 | 20100707 | ITALY | 73049000 | SECONDARY ALLOY STEEL SEAMLESS PIPES IN MIXED SIZES/MIXED THICKNESS AND MIXED LE | 23.00 | 65,276 | 15,01,342 | PUC |
| 2010-11 | 20100712 | BELGIUM | 73041190 | SEAMLESS STEEL SECONDARY/OVER ROLLED/DEFECTIVE PIPES/TUBES (SIZE OD 38-114.3 MM | 23.00 | 35,684 | 8,20,742 | PUC |
| 2010-11 | 20100720 | CHINA P RP | 73049000 | 30.00MMX6.0MM(10) SEAMLESS STEEL TUBES BK5-5.8METER(O.DXW.T)ST52 TENSILE 640 MP | 23.00 | 51,917 | 11,94,096 | PUC |
| 2010-11 | 20100716 | CHINA P RP | 73043119 | COLD DRAWN CARBON STEEL SEAMLESS TUBES BS 3059 PART 2 GR 440SIZE:38.1 X 4.06 X | 23.00 | 48,576 | 11,17,254 | PUC |
| 2010-11 | 20100723 | CHINA P RP | 73041990 | COLD DRAWN CARBON STEEL SEAMLESS TUBES (SIZE OD 27 X THK 3 X LENGTH 1000-11800M | 23.00 | 43,783 | 10,07,015 | PUC |
| 2010-11 | 20100721 | CHINA P RP | 73049000 | CARBON STEEL SEAMLESS COLD DRAWN PIPES ASTM A 179 SIZE 48.3X 3.68 X 5000 - 580 | 23.00 | 42,087 | 9,68,001 | PUC |
| 2010-11 | 20100712 | CHINA P RP | 73049000 | PRIME CARBON STEEL SEAMLESS PIPES TO ASTM A 106 GR. B | 23.00 | 30,008 | 6,90,174 | PUC |
| 2010-11 | 20100709 | CHINA P RP | 73043939 | HYDRAULIC CYLINDER HONED TUBE - 130*109 | 22.32 | 60,329 | 13,46,439 | PUC |
| 2010-11 | 20100726 | CHINA P RP | 73043129 | STEEL HONED TUBES (OD 164 X ID 146 X 4580 MM) | 22.20 | 77,812 | 17,27,236 | PUC |
| 2010-11 | 20100702 | CHINA P RP | 73049000 | CONCRETE PUMP PARTS - BOOM PIPE 3MXT4.0MM (PAINTED PIPES-MAGNETIC) | 22.17 | 44,620 | 9,89,235 | PUC |
| 2010-11 | 20100702 | U ARAB EMTS | 73049000 | SECONDARY SECOND CHOICE CARBON STEEL SEAMLESS PIPE, FITTINGFLANGE STOCK MIX SIZ | 22.00 | 25,690 | 5,65,171 | PUC |
| 2010-11 | 20100708 | U S A | 73049000 | SECONDARY SECOND CHOICE CARBON STEEL SEAMLESS/WELDED PIPES | 22.00 | 21,374 | 4,70,223 | PUC |
| 2010-11 | 20100710 | SAUDI ARAB | 73049000 | SECONDARY SECOND CARBON STEEL SEAMLESS / WELDED PIPES MIXED THICKNESS MIXED LO | 22.00 | 16,768 | 3,68,906 | PUC |
| 2010-11 | 20100722 | CHINA P RP | 73049000 | CARBON STEEL SEAMLESS TUBES ASTM A 106 / API 5L GR.B SIZE 26.7 X 3.91 X 5800 MM | 22.00 | 52,061 | 11,45,342 | PUC |
| 2010-11 | 20100709 | CHINA P RP | 73049000 | CARBON STEEL SEAMLESS PIPES GRADE ASTM A 106 / API 5L PSL1SIZE 88.9 MM X 15 M | 22.00 | 48,606 | 10,69,327 | PUC |
| 2010-11 | 20100730 | CHINA P RP | 73049000 | 9500KG TUBES 32.7 * 3.76 (TUBES MADE OF STEEL) | 21.99 | 60,840 | 13,37,600 | PUC |
| 2010-11 | 20100721 | CHINA P RP | 73043119 | SPHERODIZED ANNEALED SAE 52100 SEAMLESS COLD DRAWN TUBES OD X WT IN MM 55.87 X | 21.94 | 63,820 | 13,99,887 | PUC |
| 2010-11 | 20100715 | CHINA P RP | 73043119 | SEAMLESS CARBON AND ALLOY STEEL PIPES.OD 127 X 12.7 R/L OF 6.6- 10 MTR.GRADE SA | 21.20 | 42,289 | 8,96,538 | PUC |
| 2010-11 | 20100701 | GERMANY | 73049000 | SECONDARY DEFECTIVE CARBON STEEL SEAMLESS PIPES | 21.00 | 29,536 | 6,20,251 | PUC |
| 2010-11 | 20100714 | U ARAB EMTS | 73049000 | CARBON STEEL SEAMLESS PIPES SECONDARY SECOND CHOICE | 21.00 | 24,766 | 5,20,090 | PUC |
| 2010-11 | 20100708 | CHINA P RP | 73043119 | CARBON STEEL SEAMLESS PIPE AS PER K55 ; 270 X 21 MM | 21.00 | 48,023 | 10,08,477 | PUC |
| 2010-11 | 20100727 | ITALY | 73043911 | COLD DRAWN SEAMLESS STEEL TUBE105.00X7.50X6000.00 E355 | 20.85 | 65,083 | 13,57,251 | PUC |
| 2010-11 | 20100719 | CHINA P RP | 73069090 | CUT BLANK RINGS - 6203 IR CUT BLANKS- OD25.15MM X ID16.25MM (TUBES MADE FORM SA | 20.42 | 1,06,778 | 21,79,982 | PUC |
| 2010-11 | 20100702 | CHINA P RP | 73069090 | CUT BLANKS RINGS - 6203 IR CUT BLANKS - OD25.15MM X ID16.25MM - (TUBES MADE FRO | 20.39 | 1,04,622 | 21,33,033 | PUC |
| 2010-11 | 20100712 | U S A | 73049000 | SECONDARY/DEFECTIVE CARBON STEEL SEAMLESS PIPE | 20.00 | 23,438 | 4,68,753 | PUC |
| 2010-11 | 20100723 | CHINA P RP | 73049000 | ALLOY STEEL SEAMLESS TUBE 20CR GRADE 17.4X11 | 20.00 | 78,024 | 15,60,484 | PUC |
| 2010-11 | 20100706 | CHINA P RP | 73045910 | SEAMLESS BLACK STEEL PIPES ST 35.4 (20#) BLACK PAINTING PLAIN ENDS | 20.00 | 45,166 | 9,03,318 | PUC |
| 2010-11 | 20100714 | CHINA P RP | 73043119 | SEAMLESS CARBON STEEL AND ALLOY STEEL TUBES.OD 50 .80 X 4.5 X R/L OF 10-12MTR.G | 19.94 | 1,04,992 | 20,93,879 | PUC |

**Import Data from DGCIS [All Countries PUC]
Apr 2009 to Jun 2012**

| Year | Date | Country | ITC-HS | Item-Des | Quantity (MT) | Price (Rs./MT) | Value (Rs) | PUC/ NPUC |
|---------|----------|----------------|----------|---|---------------|----------------|------------|--------------|
| 2010-11 | 20100712 | CHINA P RP | 73041910 | M.S STEEL TUBE (110MM*125MM*-1205MM) (QTY :20PCS UNIT PRICE:43.78/PC) | 19.77 | 75,381 | 14,90,442 | PUC |
| 2010-11 | 20100702 | CHINA P RP | 73045110 | STEEL TUBE DIA 4.76 X 0.60 MM WITH COPPER COATED | 19.71 | 56,804 | 11,19,775 | PUC |
| 2010-11 | 20100726 | CHINA P RP | 73049000 | COLD DRAWN SEAMLESS PIN STEEL TUBE SCM415H OD 17.30MM X ID12.0MM | 19.68 | 95,051 | 18,70,223 | PUC |
| 2010-11 | 20100716 | CHINA P RP | 73041190 | CARBON SEAMLESS STEEL TUBES SA179 SIZE (MM) 38.1 ODX 3.25 WT X 8564 LG | 19.67 | 53,465 | 10,51,656 | PUC |
| 2010-11 | 20100730 | CHINA P RP | 73045110 | INNER TUBES 30.25*3.125*582MM (STEEL TUBES) | 19.53 | 71,262 | 13,91,748 | PUC |
| 2010-11 | 20100715 | CHINA P RP | 73045110 | SEAMLESS STEEL TUBE-GRADE-GCR-15-55X41X7.0 MM | 19.18 | 59,623 | 11,43,692 | PUC |
| 2010-11 | 20100723 | CHINA P RP | 73041190 | CARBON SEAMLESS STEEL PIPES ASTM A106B 80 X 17.5MM | 19.00 | 50,619 | 9,61,766 | PUC |
| 2010-11 | 20100707 | CHINA P RP | 73043119 | SKIVED AND BURNISHED TUBES(ID-100MM X OD-112MM) | 18.70 | 69,973 | 13,08,683 | PUC |
| 2010-11 | 20100709 | JAPAN | 73049000 | SEAMLESS ALLOY STEEL TUBES JIS G3441 SCM415TK 30.70MM OD X 24.90MM ID X 5M | 18.59 | 1,23,191 | 22,90,608 | PUC |
| 2010-11 | 20100712 | CHINA P RP | 73043119 | SEAMLESS STEEL TUBE API 5L GRADE B 42.5 X 5.5 X 5000-5800MM | 18.38 | 42,114 | 7,73,848 | PUC |
| 2010-11 | 20100712 | CHINA P RP | 73041190 | COLD DRAWN SEAMLESS STEEL PIPES(20 TONS):101.6MMX4.06MMX555MM (107 BUND.PARTS O | 18.00 | 63,622 | 11,45,192 | PUC |
| 2010-11 | 20100708 | SWITZERLAND | 73049000 | CARBON STEEL PIPE 31/2 INCES (SECONDARY DEFECTIVE) WITHOUT CUTTING W/OUT OIL W | 17.00 | 25,684 | 4,36,635 | PUC |
| 2010-11 | 20100719 | CHINA P RP | 73049000 | SEAMLESS CARBON STEEL PIPE SIZE:88.9MM X 4MM X 5-7M | 16.76 | 63,774 | 10,68,582 | PUC |
| 2010-11 | 20100715 | CHINA P RP | 73049000 | COLD DRAWAN SEAMLESS TUBE RGPP002 18.4(+/-0.05) X 12.0(+/-0.1)MM (SCM415H) | 14.52 | 2,43,048 | 35,30,028 | PUC |
| 2010-11 | 20100710 | SAUDI ARAB | 73049000 | SECONDARY SECOND CARBON STEEL SEAMLESS / WELDED PIPES MIXED THICKNESS MIXED LO | 14.00 | 16,985 | 2,37,794 | PUC |
| 2010-11 | 20100726 | CHINA P RP | 73049000 | CDS (COLD DRAWN SEAMLESS) AND HFS (HOT-FINISHED SEAMLESS) TUBES 127X11X5450 | 14.00 | 53,448 | 7,48,270 | PUC |
| 2010-11 | 20100726 | CHINA P RP | 73043139 | STEEL HONED TUBES (OD 273 X ID 239.5 X 5645 MM) | 13.98 | 85,719 | 11,98,110 | PUC |
| 2010-11 | 20100721 | CHINA P RP | 73043129 | STEEL HONED TUBES (OD 114.3 X ID 88 MM) | 13.72 | 87,440 | 11,99,355 | PUC |
| 2010-11 | 20100713 | ITALY | 73043911 | COLD DRAWN SEAMLESS STEEL TUBE 82.00X6.00X1.00 ST523 | 13.51 | 1,04,267 | 14,08,720 | PUC |
| 2010-11 | 20100722 | CHINA P RP | 73069090 | CUT BLANK RINGS - 6203 IR CUT BLANKS - OD25.15MM X ID16.25MM (TUBES MADE FROM | 13.47 | 1,04,546 | 14,08,128 | PUC |
| 2010-11 | 20100714 | CZECH REPUBLIC | 73043939 | HFS CARBON STEEL PIPES CONF. TO SPECN. SA106 GR-B (SIZE: 273.10 X 35.71 X 7000 | 13.00 | 87,563 | 11,38,320 | PUC |
| 2010-11 | 20100720 | CHINA P RP | 73043119 | SKIVED AND BURNISHED TUBES(ID-50 X OD-60) | 12.65 | 1,02,552 | 12,96,852 | PUC |
| 2010-11 | 20100715 | CHINA P RP | 73043119 | SEAMLESS CARBON STEEL AND ALLOYSTEEL TUBES OD 38.10 X 3.66 X R/L OF 10-12 MTR G | 12.63 | 41,833 | 5,28,154 | PUC |
| 2010-11 | 20100729 | GERMANY | 73041190 | CARBON SEAMLESS STEEL PIPES CLASS-II OF BASE OIL SYSTEM (SIZE:76,1 X 6,3) FOR V | 12.57 | 1,90,305 | 23,92,763 | PUC |
| 2010-11 | 20100719 | CHINA P RP | 73049000 | SEAMLESS CARBON STEEL PIPE SIZE:88.9MM X 4MM X 5-7M | 12.57 | 42,590 | 5,35,230 | PUC |
| 2010-11 | 20100715 | GERMANY | 73041190 | CARBON SEAMLESS STEEL PIPES CLASS-II OF BASE OIL SYSTEM (SIZE:76,1 X 6,3) FOR V | 12.38 | 1,90,360 | 23,56,283 | PUC |
| 2010-11 | 20100701 | CHINA P RP | 73045910 | CARBON SEAMLESS STEEL TUBES ASME SA210M GR.A1 63.5 OD X 4.06 MIN WT X 8300 LG | 12.29 | 46,230 | 5,68,353 | PUC |
| 2010-11 | 20100715 | CHINA P RP | 73043119 | SEAMLESS CARBON AND ALLOY STEEL TUBES.OD 51.00 X 5.6 X R/L OF 10-12 MTR GRADE | 12.00 | 47,087 | 5,65,267 | PUC |
| 2010-11 | 20100703 | CHINA P RP | 73041910 | PLAIN END SEAMLESS PIPES 5 OD{2052.218 MTS = 74141.188 METERS [OR] 7770 PCS} | 11.70 | 56,043 | 6,55,639 | PUC |
| 2010-11 | 20100713 | JAPAN | 73049000 | COLD DRAWN SEAMLESS TBUE ITEM NO. RGPS031 12.4(+/-0.05) X 8.5(+/-0.1)MM GRADE S | 11.46 | 2,47,137 | 28,31,206 | PUC |
| 2010-11 | 20100720 | CHINA P RP | 73045930 | HOT FINISHED CARBON STEEL SEAMLESS MOTHER PIPES [234.95MM X 25.4 MM X 8950MM] | 11.00 | 59,722 | 6,56,945 | PUC |
| 2010-11 | 20100721 | CHINA P RP | 73043119 | STEEL HONED TUBES (OD 105 X ID 69.85 MM) | 10.92 | 50,965 | 5,56,405 | PUC |
| 2010-11 | 20100729 | NETHERLAND | 73043139 | SEAMLESS STEEL TUBE 273 X 45 MM | 10.38 | 1,84,963 | 19,19,483 | PUC |
| 2010-11 | 20100726 | U S A | 73069090 | COLD DRAWN SEAMLESS TUBING SRA A519 (133.35 OD X 94.89 ID) | 10.23 | 2,26,873 | 23,21,427 | PUC |
| 2010-11 | 20100730 | CHINA P RP | 73069090 | CUT BLANK RINGS - 6201 OR CUT BLANKS - OD32.55MM X ID25.25MM (TUBES MADE FROM | 9.59 | 1,11,784 | 10,71,563 | PUC |
| 2010-11 | 20100729 | CHINA P RP | 73049000 | HOT FINISHED CARBON STEEL SEAMLESS MOTHER PIPES [219MM X 20.62MM X 7M X 8] | 9.00 | 64,395 | 5,79,552 | PUC |
| 2010-11 | 20100703 | CHINA P RP | 73041110 | ST52 HONED SEAMLESS TUBE - SIZE : 242*220*6000 MM | 8.65 | 21,879 | 1,89,268 | PUC |
| 2010-11 | 20100716 | CHINA P RP | 73043119 | SEAMLESS CARBON STEEL AND ALLOY STEEL PIPES.OD 273.00 X 6.35 X F/L OF 6 MTR .GR | 8.44 | 3,65,653 | 30,85,350 | PUC |
| 2010-11 | 20100729 | JAPAN | 73049000 | COLD DRAWN SEAMLESS PIN STEEL TUBE SCM415H OD 17.30 X ID 10MM | 8.17 | 2,35,102 | 19,19,608 | PUC |
| 2010-11 | 20100729 | JAPAN | 73049000 | COLD DRAWN SEAMLESS PIN STEEL TUBE SCM415H OD 18.30 MM ID 12MM | 8.00 | 2,32,365 | 18,59,852 | PUC |
| 2010-11 | 20100726 | CHINA P RP | 73049000 | READY TO HONED TUBE 100X10X5000-5800 | 8.00 | 76,690 | 6,13,516 | PUC |

**Import Data from DGCIS [All Countries PUC]
Apr 2009 to Jun 2012**

| Year | Date | Country | ITC-HS | Item-Des | Quantity (MT) | Price (Rs./MT) | Value (Rs) | PUC/ NPUC |
|---------|----------|-------------|----------|---|---------------|----------------|------------|--------------|
| 2010-11 | 20100729 | CHINA P RP | 73049000 | HOT FINISHED CARBON STEEL SEAMLESS MOTHER PIPES [114.3MM X 13.49MM X 8.625M X | 8.00 | 62,021 | 4,96,171 | PUC |
| 2010-11 | 20100730 | CHINA P RP | 73069090 | CUT BLANK RINGS - 6203 IR CUT BLANKS - OD25.15MM X ID16.25MM (TUBES MADE FROM | 7.53 | 1,04,470 | 7,86,658 | PUC |
| 2010-11 | 20100728 | SAUDI ARAB | 73049000 | SECONDARY SECOND CARBON STEEL SEAMLESS / WELDED PIPES MIXED THICKNESS MIXED LO | 7.00 | 17,923 | 1,25,461 | PUC |
| 2010-11 | 20100722 | CHINA P RP | 73049000 | SEAMLESS PIPE (MADE OF CARBON STEEL) | 6.93 | 51,217 | 3,55,036 | PUC |
| 2010-11 | 20100702 | CHINA P RP | 73045110 | BEARING QUALITY STEEL TUBE SAE52100 : (SIZE:55.6*7.1) | 6.92 | 54,932 | 3,80,126 | PUC |
| 2010-11 | 20100712 | CHINA P RP | 73045110 | BEARING QUALITY STEEL TUBES - SAE52100 : (SIZE : 55.6*7.1) | 6.77 | 54,931 | 3,71,996 | PUC |
| 2010-11 | 20100713 | CHINA P RP | 73045910 | CARBON SEAMLESS STEEL TUBES ASME SA-210M-2007+A08+A09 STEEL GRADE A1 76.2 MM X | 6.73 | 39,874 | 2,68,353 | PUC |
| 2010-11 | 20100726 | CHINA P RP | 73045920 | HOT FINISHED SEAMLESS ALLOY STEEL PIPE (OD 219.1MM XWT 38 X 35750MM) STD:ASME S | 5.94 | 1,45,429 | 8,64,152 | PUC |
| 2010-11 | 20100708 | GERMANY | 73043919 | SEAMLESS COLD-DRAWN STEEL TUBES 6.00MM O.DX1.60MM ID | 5.05 | 2,84,350 | 14,36,215 | PUC |
| 2010-11 | 20100705 | JAPAN | 73049000 | COLD DRAWN SEAMLESS STEEL TUBE (FOR PISTON PIN) GRADE SCM-415H (JIS) (O.D. 13 | 5.05 | 2,64,829 | 13,36,594 | PUC |
| 2010-11 | 20100728 | JAPAN | 73049000 | SEAMLESS TUBES - SCM415H O.D 16.20 X I.D 11.0 MM | 5.01 | 2,51,591 | 12,59,544 | PUC |
| 2010-11 | 20100707 | GERMANY | 73041990 | CARBON STEEL SEAMLES PIPE SECONDARY DEFECTIVE | 5.00 | 25,822 | 1,29,112 | PUC |
| 2010-11 | 20100703 | U ARAB EMTS | 73049000 | SECONDARY SECOND CARBON STEEL PIPES SEAMLESS / WELDED MIX LOT | 5.00 | 18,681 | 93,406 | PUC |
| 2010-11 | 20100708 | CHINA P RP | 73043139 | 6.812 MT OF RTH TUBE HONED TUBE DIN 2391, GR-20 BKS7CK 45 (244.5X210) (NOT TO B | 5.00 | 96,415 | 4,82,074 | PUC |
| 2010-11 | 20100721 | CHINA P RP | 73045120 | COLD DRAWN READY TO HONE PRECISION TUBE (125X140MM) | 4.98 | 58,467 | 2,90,974 | PUC |
| 2010-11 | 20100722 | CHINA P RP | 73042990 | OIL FIELD EQUIPMENT : CASING SLIP 5-1/2 , CMS XL | 4.56 | 2,00,042 | 9,11,192 | PUC |
| 2010-11 | 20100709 | CHINA P RP | 73043119 | SEAMLESS CARBON STEEL AND ALLOY STEEL PIPES .OD 219.1 X 25.40 X R/L OF 6-6.10MT | 4.37 | 2,65,457 | 11,59,924 | PUC |
| 2010-11 | 20100721 | GERMANY | 73043119 | SEAMLESS PRECISION TUBE DIA 10 MM THIK.1.5MM(3524 KGS) | 4.36 | 2,25,739 | 9,84,547 | PUC |
| 2010-11 | 20100719 | CHINA P RP | 73043119 | CYLINDER TUBE - OD 65MM XID 55MM X LENGTH 3000- 4000MM. | 4.27 | 89,500 | 3,82,197 | PUC |
| 2010-11 | 20100702 | CHINA P RP | 73042990 | 260 M OF PIPE 50NB,API 5L GR.B PSL1,SEAMLESS CARBON STEEL PIPE(EVAPORATION PLAN | 4.21 | 54,524 | 2,29,548 | PUC |
| 2010-11 | 20100721 | CHINA P RP | 73045110 | COLD DRAWN READY TO HONE PRECISION TUBE (63X75MM) | 4.12 | 81,435 | 3,35,187 | PUC |
| 2010-11 | 20100726 | CHINA P RP | 73043129 | STEEL HONED TUBES (OD 180 X ID 150 X 3740 MM) | 4.09 | 79,957 | 3,27,098 | PUC |
| 2010-11 | 20100713 | JAPAN | 73041190 | CARBON STEEL TUBES (STKM13A 190.7X6.0X1470) FOR STRUCTURAL PURPOSE (COO IS | 4.02 | 3,28,356 | 13,19,624 | PUC |
| 2010-11 | 20100724 | TURKEY | 73049000 | COLD DRAWN SEAMLESS STEEL TUBE (FOR PISTON PIN) GRADE SCM-415H (JIS G 4052) | 3.99 | 2,95,893 | 11,81,205 | PUC |
| 2010-11 | 20100729 | CHINA P RP | 73049000 | CARBON STEEL SEAMLESS PIPES:(OD 88.9) (W.T.3.2) 16 BAR DIN 1629/ST 37 | 3.94 | 1,34,605 | 5,30,010 | PUC |
| 2010-11 | 20100708 | GERMANY | 73041910 | SEAMLESS STEEL PIPE RON 48.3 X 2.6 ST35.8I-FOR THERMAL FLUID SYSTEM FOR VESSEL | 3.20 | 2,30,579 | 7,38,075 | PUC |
| 2010-11 | 20100715 | CHINA P RP | 73045110 | SEAMLESS STEEL TUBE-GRADE-GCR-15-55X41X7.0 MM | 3.20 | 58,401 | 1,86,708 | PUC |
| 2010-11 | 20100709 | ITALY | 73043919 | HF SEAMLESS TUBE FOR HYD CYLINDER (88.90X20.00MM) | 3.13 | 90,985 | 2,84,562 | PUC |
| 2010-11 | 20100730 | SAUDI ARAB | 73049000 | SECONDARY SECOND CARBON STEEL SEAMLESS / WELDED PIPES MIXED THICKNESS MIXED LO | 3.00 | 17,248 | 51,744 | PUC |
| 2010-11 | 20100708 | CHINA P RP | 73043119 | CARBON STEEL SEAMLESS PIPE AS PER K55 ; 270 X 21 MM | 3.00 | 53,977 | 1,61,930 | PUC |
| 2010-11 | 20100722 | CHINA P RP | 73069090 | CUT BLANK RINGS - 6201 OR CUT BLANKS - OD32.55MM X ID25.25MM (TUBES MADE FROM | 2.87 | 1,11,774 | 3,20,790 | PUC |
| 2010-11 | 20100701 | CHINA P RP | 73041910 | PLAIN END SEAMLESS PIPES 9-5/8 OD [16693.261 MTRS=1418 PCS[OR] 1150.935 MTS] | 2.86 | 50,808 | 1,45,472 | PUC |
| 2010-11 | 20100722 | CHINA P RP | 73069090 | CUT BLANK RINGS - 6201 OR CUT BLANKS - OD32.55MM X ID25.25MM (TUBES MADE FROM | 2.83 | 1,11,781 | 3,15,782 | PUC |
| 2010-11 | 20100706 | CHINA P RP | 73041190 | SEAMLESS PIPE (MS) 168X22 (30.47 MTR) | 2.51 | 45,783 | 1,14,779 | PUC |
| 2010-11 | 20100713 | KOREA RP | 73049000 | STRAIGHT TUBE (SIZE: 19.05MM OD X 2.11 MMT X 2500MML) CARBON STEEL TUBE | 2.24 | 76,577 | 1,71,227 | PUC |
| 2010-11 | 20100708 | SWEDEN | 73043129 | COLD DRAWN SEAMLESS STEEL TUBES VAE105 120X104.50+0/-0.30 | 2.12 | 89,998 | 1,91,217 | PUC |
| 2010-11 | 20100720 | ITALY | 98010013 | 98010013 SMLS PIPES(C/S)TO SPEC.SA106(S37/08/2010)CIF.RS.308392/- | 2.00 | 1,54,196 | 3,08,391 | PUC |
| 2010-11 | 20100720 | JAPAN | 98010013 | 98010013 SEAMLESS PIPES(CARBON STEEL) | 2.00 | 83,430 | 1,66,859 | PUC |
| 2010-11 | 20100730 | SAUDI ARAB | 73049000 | SECONDARY SECOND CARBON STEEL SEAMLESS / WELDED PIPES MIXED THICKNESS MIXED LO | 2.00 | 22,333 | 44,665 | PUC |
| 2010-11 | 20100730 | SAUDI ARAB | 73049000 | SECONDARY SECOND CARBON STEEL SEAMLESS / WELDED PIPES MIXED THICKNESS MIXED LO | 2.00 | 22,249 | 44,497 | PUC |
| 2010-11 | 20100730 | SAUDI ARAB | 73049000 | SECONDARY SECOND CARBON STEEL SEAMLESS / WELDED PIPES MIXED THICKNESS MIXED LO | 2.00 | 16,939 | 33,878 | PUC |

**Import Data from DGCIS [All Countries PUC]
Apr 2009 to Jun 2012**

| Year | Date | Country | ITC-HS | Item-Des | Quantity (MT) | Price (Rs./MT) | Value (Rs) | PUC/ NPUC |
|---------|----------|-------------|----------|---|---------------|----------------|------------|--------------|
| 2010-11 | 20100715 | SAUDI ARAB | 73049000 | SECONDARY SECOND CARBON STEEL SEAMLESS / WELDED PIPES MIXED THICKNESS MIXED LO | 2.00 | 16,701 | 33,401 | PUC |
| 2010-11 | 20100709 | CHINA P RP | 73045110 | STEEL TUBES 30*7*390MM | 2.00 | 1,02,970 | 2,05,939 | PUC |
| 2010-11 | 20100720 | CHINA P RP | 73049000 | HOT FINISHED CARBON STEEL SEAMLESS MOTHER PIPES [88.9MM X 7.62 MM X 3.4M X 50 | 2.00 | 75,235 | 1,50,469 | PUC |
| 2010-11 | 20100710 | CHINA P RP | 73041190 | CARBON STEEL SEAMLESS PIPE (ASTM A106- GRADE -B) 42.2MM X4MMX3800MM | 2.00 | 49,134 | 98,267 | PUC |
| 2010-11 | 20100716 | CHINA P RP | 73041190 | CARBON SEAMLESS STEEL TUBES SA179 SIZE (MM) 38.1 ODX 3.25 WT X 8564 LG | 1.87 | 53,465 | 99,792 | PUC |
| 2010-11 | 20100726 | CHINA P RP | 73043119 | STEEL HONED TUBES (OD 112 X ID 88 X 2520 MM) | 1.39 | 78,439 | 1,09,139 | PUC |
| 2010-11 | 20100716 | CHINA P RP | 73043119 | SEAMLESS CARBON STEEL PIPES.OD 273.0 X 32.00 XR/L 6-6,10MTR.GRADE.SA 106 GR C (| 1.14 | 70,417 | 80,383 | PUC |
| 2010-11 | 20100726 | CANADA | 73049000 | OIL FIELD EQUIPMENT : DRILL PIPE BUSHING, 3-1/2 IN EU, HYDRAULIC ELEVATORS, FOR | 1.10 | 98,346 | 1,08,181 | PUC |
| 2010-11 | 20100719 | JAPAN | 73041110 | STEEL PIPES FOR TEXTILE MACHINERY (6MMX125MMX125MM X1600MM L) | 1.00 | 1,06,680 | 1,06,680 | PUC |
| 2010-11 | 20100708 | CHINA P RP | 73041990 | SEAMLESS PIPE API 5L GR.B/ASTM A106 GR.B/ASTM A53 GR.B (SIZE 48.3 X 5.08 MM)(| 1.00 | 81,064 | 81,064 | PUC |
| 2010-11 | 20100708 | CHINA P RP | 73049000 | PIN STEEL TUBE (SCM415H) (RM00200040B) (OD12.30MMXID8.00MM LENGTH: 2000MM-2550M | 0.94 | 2,51,935 | 2,35,811 | PUC |
| 2010-11 | 20100703 | CHINA P RP | 73041190 | CK45 BAR - SIZE : 100*3000 MM | 0.67 | 70,504 | 46,962 | PUC |
| 2010-11 | 20100712 | BELGIUM | 73041190 | SEAMLESS STEEL SECONDARY/OVER ROLLED/DEFECTIVE PIPES/TUBES (SIZE OD 38-114.3 MM | 0.50 | 49,906 | 24,953 | PUC |
| 2010-11 | 20100720 | GERMANY | 73043911 | SEAMLESS STEEL PIPES IN S355J2H WITH DIN EN10204-3.2 LRS SIZE: 219.1 X 8.8 | 0.46 | 71,792 | 32,777 | PUC |
| 2010-11 | 20100720 | GERMANY | 73049000 | APZ EN 10204-J.1 (3.1.B) 82.5 X 12.5 MM SEAMLESS TUBE | 0.36 | 94,372 | 33,785 | PUC |
| 2010-11 | 20100723 | GERMANY | 73043911 | CARBON STEEL SEAMLESS PIPES (ASTM A106 GR.C) SIZE: 88,9 X 15,24 MM | 0.28 | 2,92,085 | 80,890 | PUC |
| 2010-11 | 20100712 | CHINA P RP | 73049000 | COLD DRAWN SEAMLESS STEEL PIPES TO ASTM A 106 GR.B | 0.20 | 1,04,210 | 20,842 | PUC |
| 2010-11 | 20100712 | BELGIUM | 73049000 | SECONDARY ALLOY STEEL SEAMLESS PIPES IN MIXED SIZES/MIXED THICKNESS AND MIXED L | 0.10 | 29,670 | 2,967 | PUC |
| 2010-11 | 20100712 | CHINA P RP | 73049000 | PRIME CARBON STEEL SEAMLESS PIPES TO ASTM A 106 GR. B | 0.09 | 99,289 | 8,936 | PUC |
| 2010-11 | 20100726 | U ARAB EMTS | 73049000 | SECONDARY SEOND CHOICE CARBON STEEL SEAMLESS PIPE STOCK MIXED LOT & MIXED SIZE. | 0.08 | 30,263 | 2,421 | PUC |
| 2010-11 | 20100724 | GERMANY | 73049000 | M.S SEAMLESS PIPE SECONDARY SECOND CHOICE MIX | 0.07 | 1,05,757 | 7,403 | PUC |
| 2010-11 | 20100730 | SAUDI ARAB | 73049000 | SECONDARY SECOND CARBON STEEL SEAMLESS / WELDED PIPES MIXED THICKNESS MIXED LO | 0.05 | 47,200 | 2,360 | PUC |
| 2010-11 | 20100702 | U ARAB EMTS | 73049000 | SECONDARY SECOND CHOICE CARBON STEEL SEAMLESS PIPE, FITTINGFLANGE STOCK MIX SIZ | 0.04 | 31,450 | 1,258 | PUC |
| 2010-11 | 20100702 | U ARAB EMTS | 73049000 | SECONDARY SECOND CHOICE CARBON STEEL SEAMLESS PIPE, STOCK MIX SIZE & MIX LOT | 0.04 | 30,275 | 1,211 | PUC |
| 2010-11 | 20100729 | U ARAB EMTS | 73049000 | SECONDARY/DEFECTIVE CARBON STEEL SEAMLESS PIPE | 0.03 | 52,438 | 1,678 | PUC |
| 2010-11 | 20100716 | GERMANY | 73049000 | CARBON STEEL SECOND CHOICE SEAMLESS PIPE | 0.03 | 33,900 | 1,017 | PUC |
| 2010-11 | 20100728 | U ARAB EMTS | 73049000 | SECONDARY DEFECTIVE CARBON STEEL SEAMLESS PIPE | 0.03 | 52,893 | 1,481 | PUC |
| 2010-11 | 20100715 | CHINA P RP | 73049000 | CARBON STEEL SEAMLESS PIPES CONFIRMING TO API 5L GR. B / ASTM A106 GR.B | 0.03 | 1,01,893 | 2,853 | PUC |
| 2010-11 | 20100722 | CHINA P RP | 73049000 | CARBON STEEL SEAMLESS & WELDED ROUND & HOLLOW SECTIONS ARE STOCK LOT SURPLUS | 0.02 | 55,182 | 1,214 | PUC |
| 2010-11 | 20100729 | CHINA P RP | 73049000 | SEAMLESS CARBON STEEL PIPES 230*16*5500-5850MM | 0.02 | 1,09,500 | 2,190 | PUC |
| 2010-11 | 20100715 | U ARAB EMTS | 73049000 | SECONDARY SECOND CHOICE CARBON STEEL SEAMLESS PIPE STOCK MIX SIZE MIX LOT. | 0.02 | 32,267 | 484 | PUC |
| 2010-11 | 20100712 | CHINA P RP | 73049000 | SEAMLESS CARBON STEEL PIPES SIZE:122*7.5*5800 MM | 0.01 | 1,02,929 | 1,441 | PUC |
| 2010-11 | 20100714 | CANADA | 73049000 | SECONDARY SURPLUS CARBON STEEL SEAMLESS PIPE | 0.01 | 23,500 | 235 | PUC |
| 2010-11 | 20100714 | CANADA | 73049000 | SECONDARY SURPLUS CARBON STEEL SEAMLESS PIPE | 0.01 | 23,500 | 235 | PUC |
| 2010-11 | 20100701 | CHINA P RP | 73049000 | CARBON STEEL SEAMLESS PIPES | 0.01 | 40,400 | 404 | PUC |
| 2010-11 | 20100714 | U ARAB EMTS | 73049000 | CARBON STEEL SEAMLESS PIPES SECONDARY SECOND CHOICE | 0.01 | 30,500 | 244 | PUC |
| 2010-11 | 20100723 | CHINA P RP | 73049000 | CARBON STEEL SEAMLESS PIPES - 60.3MM X 8.74MM | 0.01 | 1,06,286 | 744 | PUC |
| 2010-11 | 20100701 | GERMANY | 73049000 | SECONDARY DEFECTIVE CARBON STEEL SEAMLESS PIPES | 0.01 | 1,14,000 | 570 | PUC |
| 2010-11 | 20100701 | CHINA P RP | 73049000 | CARBON STEEL SEAMLESS PIPE CONFIRMING TO API 5L GR.B / ASTMA106 GR.B | 0.01 | 1,13,600 | 568 | PUC |
| 2010-11 | 20100722 | U S A | 73049000 | SECONDARY/DEFECTIVE CARBON STEEL SEAMLESS PIPE | 0.004 | 1,19,000 | 476 | PUC |
| 2010-11 | 20100715 | CHINA P RP | 73049000 | CARBON STEEL SEAMLESS PIPES - 219.1MM X 23.01MM | 0.004 | 1,13,000 | 452 | PUC |

**Import Data from DGCIS [All Countries PUC]
Apr 2009 to Jun 2012**

| Year | Date | Country | ITC-HS | Item-Des | Quantity (MT) | Price (Rs./MT) | Value (Rs) | PUC/ NPUC |
|---------|----------|------------|----------|--|---------------|----------------|-------------|--------------|
| 2010-11 | 20100714 | CHINA P RP | 73049000 | CARBON STEEL SEAMLESS PIPES - 60.3MM X 5.54MM | 0.004 | 1,09,250 | 437 | PUC |
| 2010-11 | 20100729 | CHINA P RP | 73049000 | CARBON STEEL SEAMLESS PIPE | 0.004 | 1,05,500 | 422 | PUC |
| 2010-11 | 20100702 | GERMANY | 73049000 | CARBON STEEL SEAMLESS PIPE SECONDARY/DEFECTIVE | 0.003 | 3,91,333 | 1,174 | PUC |
| 2010-11 | 20100723 | GERMANY | 73049000 | SECONDARY DEFECTIVE CARBON STEEL SEAMLESS PIPE | 0.003 | 1,55,000 | 465 | PUC |
| 2010-11 | 20100714 | CHINA P RP | 73049000 | CARBON STEEL SEAMLESS PIPES ASTM A106 GR B | 0.003 | 1,03,333 | 310 | PUC |
| 2010-11 | 20100712 | CHINA P RP | 73049000 | PRIME CARBON STEEL SEAMLESS PIPES TO ASTM A106 GR.B | 0.003 | 1,03,333 | 310 | PUC |
| 2010-11 | 20100702 | CHINA P RP | 73049000 | SEAMLESS CARBON STEEL PIPES API 5LB/ASTM A106B/A53B | 0.003 | 1,03,333 | 310 | PUC |
| 2010-11 | 20100712 | CHINA P RP | 73049000 | CARBON STEEL SEAMLESS PIPE API5L/ASTM A53/106 GR.B | 0.003 | 1,02,000 | 306 | PUC |
| 2010-11 | 20100712 | U S A | 73049000 | SECONDARY/DEFECTIVE CARBON STEEL SEAMLESS PIPE | 0.002 | 1,13,500 | 227 | PUC |
| 2010-11 | 20100729 | CHINA P RP | 73049000 | CARBON STEEL SEAMLESS PIPE SECONDARY DEFECTIVE | 0.002 | 1,21,000 | 242 | PUC |
| 2010-11 | 20100705 | CHINA P RP | 73043119 | SEAMLESS STEEL TUBE API 5L GRADE B 42.5 X 5.5 X 5000-5800MM | 0.001 | 42,000 | 42 | PUC |
| 2010-11 | 20100712 | CHINA P RP | 73043119 | SEAMLESS STEEL TUBE API 5L GRADE B 42.5 X 5.5 X 5000-5800MM | 0.001 | 42,000 | 42 | PUC |
| 2010-11 | 20100809 | CHINA P RP | 73041910 | PLAIN END SEAMLESS PIPES CASING 7 OD{507.213 MTS=43506.07 FEET=1143 PCS=13260. | 1,076.60 | 44,950 | 4,83,93,764 | PUC |
| 2010-11 | 20100831 | CHINA P RP | 73063090 | C.S. TUBES SA 178 GR A 50.8MM OD X 3.048 MM W.T X 18300 MM L (7570 PCS) (125 | 961.00 | 76,675 | 7,36,84,798 | PUC |
| 2010-11 | 20100817 | CHINA P RP | 73049000 | CARBON STEEL SEAMLESS PIPES ASTM A106 GR.B/API 5L GR.B PSL 1 SIZE 219.1MM OD X | 859.00 | 42,146 | 3,62,03,645 | PUC |
| 2010-11 | 20100826 | CHINA P RP | 73041990 | SEAMLESS PIPES API 5L GR.B/ASTM A 106 GR.B/ASTM A53 GR.B(SIZE.60.3 X 5.54 MM) (| 857.00 | 47,416 | 4,06,35,622 | PUC |
| 2010-11 | 20100804 | CHINA P RP | 73043911 | SEAMLESS STEEL CYLINDER PIPE (JIS-G-3429-88, 34CRMO4) SIZE: 267MM X 6.5MM | 832.00 | 51,689 | 4,30,05,432 | PUC |
| 2010-11 | 20100807 | CHINA P RP | 73049000 | OILFIELD EQUIPMENT : DRILL PIPE HEAVY WEIGHT 4-1/2 OD X 3 ID, 4 IF CONN | 691.87 | 97,169 | 6,72,28,823 | PUC |
| 2010-11 | 20100826 | CHINA P RP | 73041990 | SEAMLESS PIPE API5L GR.B/ASTM A106 GR.B/ASTM A53 GR.B (SIZE 60.3 X 5.54 MM)(N | 487.00 | 46,620 | 2,27,03,839 | PUC |
| 2010-11 | 20100804 | CHINA P RP | 73043911 | SEAMLESS STEEL CYLINDER PIPE (JIS-G-3429-88, 34CRMO4) SIZE: 232MM X 5.4MM | 473.00 | 51,720 | 2,44,63,606 | PUC |
| 2010-11 | 20100812 | ITALY | 73043911 | COLD DRAWN SEAMLESS STEEL TUBE135,00 X 10,00 X 1,00 E355 | 388.03 | 66,087 | 2,56,43,532 | PUC |
| 2010-11 | 20100817 | GERMANY | 73043119 | SEAMLESS TUBE HOLLOW ST 30 AL (30,000 X 4,000MM) (RL 10,000.00 -12,000.00 MM) | 356.89 | 45,456 | 1,62,22,929 | PUC |
| 2010-11 | 20100805 | CHINA P RP | 73043931 | SEAMLESS CARBON STEEL PIPES (TO SPEC SA 106)OD 88.90-168.30X7.11-17.12X3725-7000 | 355.00 | 58,131 | 2,06,36,612 | PUC |
| 2010-11 | 20100730 | GERMANY | 73043919 | CARBON STEEL SEAMLESS TUBES ASTM A 179 (SIZE 25 MM OD X 2.5 MM THK X 10500 -11 | 346.00 | 47,356 | 1,63,85,145 | PUC |
| 2010-11 | 20100819 | CHINA P RP | 73049000 | CARBON STEEL SEAMLESS PIPE | 345.00 | 41,722 | 1,43,94,091 | PUC |
| 2010-11 | 20100810 | CHINA P RP | 73043119 | SEAMLESS CARBON STEEL AND ALLOY STEEL TUBES.OD38.1 X 4.0 X R/L OF 10-12 MTR.GRA | 322.68 | 46,730 | 1,50,78,607 | PUC |
| 2010-11 | 20100802 | CHINA P RP | 73043911 | CARBON STEEL SEAMLESS MOTHER PIPE (HOT FINISHED)60.3 X 5.54 X 5000-5800MM (STC | 315.00 | 46,110 | 1,45,24,658 | PUC |
| 2010-11 | 20100804 | CHINA P RP | 73045910 | CARBON SEAMLESS STEEL TUBES ASME SA210 GR.A1 4.06 MM X 50.80 MM X 8000 MM | 298.32 | 69,041 | 2,05,96,439 | PUC |
| 2010-11 | 20100825 | CHINA P RP | 73041990 | COLD DRAWN SEAMLESS ALLOY STEEL TUBES GRADE: ASME SA210 GR.A1 SIZE (MM) : 76.2 | 288.09 | 53,169 | 1,53,17,291 | PUC |
| 2010-11 | 20100803 | CHINA P RP | 73041990 | COLD DRAWN SEAMLESS ALLOY STEEL TUBES GRADE: ASME SA210 GR.A1 SIZE: 76.2 OD X 4 | 285.41 | 53,091 | 1,51,52,384 | PUC |
| 2010-11 | 20100825 | JAPAN | 98010013 | PROJECT HOT FINISHED SEAMLESS TUBES(A/S)(S37/20/2010)CIF.RS.55218795/- | 277.00 | 1,99,346 | 5,52,18,796 | PUC |
| 2010-11 | 20100818 | CHINA P RP | 73043119 | SEAMLESS CARBON STEEL AND ALLOY STEEL TUBES.OD 50.80 X 8.00 X R/L OF 10-12MTR.G | 260.52 | 61,729 | 1,60,81,888 | PUC |
| 2010-11 | 20100827 | CHINA P RP | 73041910 | PLAIN END SEAMLESS PIPES OF SIZE ; 4-1/2 OD (15209.836 METERS = 1333.00 PCS = | 257.20 | 42,459 | 1,09,20,296 | PUC |
| 2010-11 | 20100823 | CHINA P RP | 73043919 | CARBON STEEL SEAMLESS PIPES TO ASTM A179 (33.40 MM OD X 3.40 MM THK X 8 TO P MT | 240.00 | 44,528 | 1,06,86,611 | PUC |
| 2010-11 | 20100827 | CHINA P RP | 73069090 | TUBING 2-7/8 , 6.5 PPF, N80, EUE, R2 (EQUIPMENTS FOR CBM PROJECT) | 231.13 | 45,627 | 1,05,45,808 | PUC |
| 2010-11 | 20100825 | JAPAN | 98010013 | PROJECT HOT FINISH SEAMLESS TUBES(A/S)(S37/20/2010)CIF.RS.46612940/- | 231.00 | 2,01,788 | 4,66,12,940 | PUC |
| 2010-11 | 20100826 | CHINA P RP | 73041110 | CARBON STEEL SEAMLESS TUBES SA210 GR. A1 SIZE 50.8X4.06X11000MM | 200.00 | 51,387 | 1,02,77,344 | PUC |
| 2010-11 | 20100810 | CHINA P RP | 73049000 | SEAMLESS SQUARE STEEL PIPES (SEZE: 135X135X10 MM) (LENGTH: 8.5-8.6 MTR) (CAPTIV | 200.00 | 41,969 | 83,93,744 | PUC |
| 2010-11 | 20100810 | CHINA P RP | 73049000 | SEAMLESS SQUARE STEEL PIPES (SIZE: 135X135X10 MM) (LENGTH: 8.5-8.6 MTR) (CAPTIV | 200.00 | 41,969 | 83,93,744 | PUC |
| 2010-11 | 20100830 | CHINA P RP | 73049000 | CARBON STEEL SEAMLESS HOT FINISHED MOTHER PIPES GRADE API 5LGR B, SIZE 33.4MM X | 194.00 | 43,847 | 85,06,242 | PUC |
| 2010-11 | 20100823 | CHINA P RP | 73049000 | HOT ROLLED SEAMLESS STEEL PIPES FOR GAS CYLINDER 34CRMO4 | 192.00 | 60,541 | 1,16,23,880 | PUC |

**Import Data from DGCIS [All Countries PUC]
Apr 2009 to Jun 2012**

| Year | Date | Country | ITC-HS | Item-Des | Quantity (MT) | Price (Rs./MT) | Value (Rs) | PUC/ NPUC |
|---------|----------|------------|----------|---|---------------|----------------|-------------|--------------|
| 2010-11 | 20100824 | CHINA P RP | 73041990 | CS SEAMLESS CARBON STEEL PIPE 38 MM X 12MM X 5400 MM(ASTM A 106 GR B)96 PCS/51 | 191.00 | 46,759 | 89,31,043 | PUC |
| 2010-11 | 20100811 | CHINA P RP | 73049000 | PRIME CARBON STEEL SEAMLESS PIPES (ASTM A106 GR.B)(24 X SCH 80 X 5-5.8M) | 173.00 | 42,113 | 72,85,590 | PUC |
| 2010-11 | 20100810 | CHINA P RP | 73041910 | SEAMLESS STEEL TUBES & PIPE ASTM A106 GRBSIZE:5 INCH SCH 80 | 172.00 | 43,221 | 74,34,020 | PUC |
| 2010-11 | 20100809 | CHINA P RP | 73043119 | CARBON STEEL SEAMLESS PIPE ASTM A 106 GR.B(219.1 X 8.18MM) | 170.00 | 35,463 | 60,28,775 | PUC |
| 2010-11 | 20100817 | CHINA P RP | 73049000 | SEAMLESS CARBON STEEL PIPES AS PER ASTM A106 GR-B (VARIOUS SIZE AS PER INVOIC | 167.00 | 30,637 | 51,16,421 | PUC |
| 2010-11 | 20100819 | CHINA P RP | 73043919 | CARBON STEEL SEMLESS PIPES TO ASTM A 179 (SIZE 45MM OD X4MM THKX8 TO 9 MTR LENG | 157.00 | 43,694 | 68,59,898 | PUC |
| 2010-11 | 20100810 | CHINA P RP | 73049000 | CARBON STEEL SEAMLESS PIPES ACC. ASTM A 106/API 5L / DIN 17175, ST35 8 SIZE 60 | 156.00 | 46,709 | 72,86,611 | PUC |
| 2010-11 | 20100804 | CHINA P RP | 73041110 | HOT FINISHED SEAMLESS STEEL TUBE MS-G-3429 GRADE 34 CRM04 SIZE 267 MM X 7.5MM | 154.00 | 51,624 | 79,50,029 | PUC |
| 2010-11 | 20100802 | CHINA P RP | 73043919 | CARBONSTEEL SEAMLESS TUBES ASTM A179 SIZE : OD 38.1MM X THK2.77MM XLENGTH 9760 | 151.92 | 49,007 | 74,45,087 | PUC |
| 2010-11 | 20100803 | CHINA P RP | 73041990 | COLD DRAWN SEAMLESS STEEL TUBES GR. ASME SA210 GR.A1 SIZE (MM) : 76.2 OD X 4.88 | 149.95 | 53,169 | 79,72,617 | PUC |
| 2010-11 | 20100805 | CHINA P RP | 73069090 | PIPE B-36 10 ASTM A 106 GR B PE SEAMLESS IBR 1.5 INCH XS | 148.49 | 93,123 | 1,38,27,633 | PUC |
| 2010-11 | 20100824 | CHINA P RP | 73042990 | NON ALLOY STEEL SEAMLESS PIPES API 5L GRADE B 73.0MMX7.01MM | 147.00 | 43,480 | 63,91,570 | PUC |
| 2010-11 | 20100802 | CHINA P RP | 73043919 | CARBON STEEL SEAMLESS ASTM A179 SIZE : 25MMOD X2.5 MM THKX10500-11800MM LENGHT) | 145.46 | 47,823 | 69,56,498 | PUC |
| 2010-11 | 20100825 | CHINA P RP | 73043119 | CARBON STEEL SEAMLESS PIPES [26.7X2.87X5800MM] | 143.00 | 33,048 | 47,25,891 | PUC |
| 2010-11 | 20100830 | SAUDI ARAB | 73049000 | SECONDARY SECOND CARBON STEEL SEAMLESS / WELDED PIPES MIXED THICKNESS MIXED LO | 131.00 | 17,081 | 22,37,663 | PUC |
| 2010-11 | 20100802 | CHINA P RP | 73043919 | CARBONSTEEL SEAMLESS TUBES TO DIN 17175 ST35-8 SIZE : OD 70MM X THK 7MM XLENGT | 130.88 | 44,412 | 58,12,871 | PUC |
| 2010-11 | 20100810 | GERMANY | 73049000 | SECONDARY / DEFECTIVE CARBON STEEL SEAMLESS PIPE | 127.00 | 24,834 | 31,53,892 | PUC |
| 2010-11 | 20100623 | CHINA P RP | 73041990 | SCONDRY DEFECTIVE M S PIPE OF VARIOUS SIZE & LENGTH, | 125.00 | 20,336 | 25,42,031 | PUC |
| 2010-11 | 20100819 | CHINA P RP | 73045110 | BEARING QUALITY STEEL TUBE SAE-52100 SIZE:55.23X39.70MM [GRADE GCR 15] | 124.26 | 64,024 | 79,55,788 | PUC |
| 2010-11 | 20100828 | GERMANY | 73049000 | SECONDARY DEFECTIVE CARBON STEEL SEAMLESS PIPES | 124.00 | 30,108 | 37,33,376 | PUC |
| 2010-11 | 20100802 | CHINA P RP | 73049000 | CARBON STEEL SEAMLESS PIPES GRADE API 5LB/ASTM A106B/A53B | 124.00 | 29,407 | 36,46,521 | PUC |
| 2010-11 | 20100823 | CHINA P RP | 73045110 | BEARING QUALITY STEEL TUBE SAE-52100 AND SUJ-3 SIZE 52.6 X5.55 MM | 123.00 | 78,375 | 96,40,088 | PUC |
| 2010-11 | 20100805 | CHINA P RP | 73043931 | SEAMLESS CARBON STEEL PIPES TO SPEC SA-106OD 108.00-168.30 X 7.11-18.00 X 6000- | 123.00 | 42,457 | 52,22,168 | PUC |
| 2010-11 | 20100823 | CHINA P RP | 73049000 | HOT ROLLED SEAMLESS STEEL PIPES FOR GAS CYLINDER 34CRMO4 | 122.00 | 62,974 | 76,82,863 | PUC |
| 2010-11 | 20100806 | CHINA P RP | 73041990 | COLD DRAWN SEAMLESS ALLOY STEEL TUBES GRADE: ASME SA210 GR.A1 SIZE: 50.8 OD X 4 | 116.90 | 53,174 | 62,16,048 | PUC |
| 2010-11 | 20100821 | SAUDI ARAB | 73049000 | SECONDARY SECOND CARBON STEEL SEAMLESS / WELDED PIPE FITTINGS MIXED THICKNESS | 116.00 | 17,000 | 19,71,979 | PUC |
| 2010-11 | 20100805 | CHINA P RP | 73041990 | SEAMLESS LINE PIPE AS PER API 5L GRADE B/ASTM A-106 GR.B/ASTM-53 GR.B(SIZE 60.3 | 111.00 | 37,718 | 41,86,653 | PUC |
| 2010-11 | 20100802 | SAUDI ARAB | 73049000 | SECONDARY SECOND CARBON STEEL SEAMLESS / WELDED PIPES MIXED THICKNESS MIXED LO | 105.00 | 17,071 | 17,92,476 | PUC |
| 2010-11 | 20100809 | CHINA P RP | 73045110 | BEARING QUALITY STEEL TUBE SAE-52100 AND SUJ-3 AND SAE 8620SIZE:52.6X5.55MM | 105.00 | 84,405 | 88,62,481 | PUC |
| 2010-11 | 20100806 | CHINA P RP | 73043119 | CARBON STEEL SEAMLESS TUBES AS PER ASTM A106 GR.A | 105.00 | 30,987 | 32,53,613 | PUC |
| 2010-11 | 20100819 | GERMANY | 73049000 | CARBON STEEL SEAMLESS PIPE SECONDARY/DEFECTIVE | 104.00 | 24,516 | 25,49,710 | PUC |
| 2010-11 | 20100825 | CHINA P RP | 73049000 | SECONDARY CARBON STEEL SEAMLESS PIPES IN MIXED SIZES | 103.00 | 23,855 | 24,57,062 | PUC |
| 2010-11 | 20100802 | JAPAN | 73049000 | SECONDARY DEFECTIVE M.S.PIPES OF MIX SIZES | 100.00 | 24,080 | 24,08,044 | PUC |
| 2010-11 | 20100803 | CHINA P RP | 73049000 | CARBON STEEL SEAMLESS PIPES GRADE ASTM A 106-B | 100.00 | 31,255 | 31,25,475 | PUC |
| 2010-11 | 20100809 | CHINA P RP | 73049000 | CARBON STEEL SEAMLESS PIPES API 5LB / ASTM A106B / A53B | 100.00 | 29,434 | 29,43,392 | PUC |
| 2010-11 | 20100821 | CHINA P RP | 73069090 | SEAMLESS STEEL TUBES 6301IR (BEARING QUALITY) | 99.19 | 70,972 | 70,39,815 | PUC |
| 2010-11 | 20100825 | BELGIUM | 73049000 | SECONDARY SECOND CHOICE UNASSORTED CARBON STEEL SEAMLESS PIPE | 97.00 | 21,745 | 21,09,256 | PUC |
| 2010-11 | 20100810 | CHINA P RP | 73049000 | CARBON STEEL SEAMLESS PIPES AS PER ASTM A106 GR.B/API 5L GR-B/ASTM A-53 SIZE OD | 95.00 | 32,066 | 30,46,290 | PUC |
| 2010-11 | 20100805 | CHINA P RP | 73041110 | CS TUBE-CS SEAMLESS TUBE SA-179 38 OD X 3 WT X 4450 LG(1157.00 MTRS) | 93.00 | 52,302 | 48,64,070 | PUC |
| 2010-11 | 20100811 | SINGAPORE | 73041910 | SEC/DEF STEEL PIPES | 92.00 | 23,730 | 21,83,143 | PUC |
| 2010-11 | 20100826 | JAPAN | 73049000 | SECONDARY ALLOY STEEL SEAMLESS PIPES | 91.00 | 38,927 | 35,42,348 | PUC |

**Import Data from DGCIS [All Countries PUC]
Apr 2009 to Jun 2012**

| Year | Date | Country | ITC-HS | Item-Des | Quantity (MT) | Price (Rs./MT) | Value (Rs) | PUC/ NPUC |
|---------|----------|-------------|----------|---|---------------|----------------|-------------|--------------|
| 2010-11 | 20100821 | SAUDI ARAB | 73049000 | SECONDARY CARBON STEEL SEAMLESS/WELDED PIPES MIXED THICKNESS MIXED LOT. | 91.00 | 17,075 | 15,53,819 | PUC |
| 2010-11 | 20100806 | CHINA P RP | 73043119 | CARBON STEEL SEAMLESS PIPES(126X8X5800MM) | 91.00 | 29,645 | 26,97,670 | PUC |
| 2010-11 | 20100807 | THAILAND | 73043139 | HYDRAULIC CYLINDER TUBE SIZE : 245 X 198 MM | 90.15 | 16,550 | 14,91,879 | PUC |
| 2010-11 | 20100819 | GERMANY | 73049000 | SECONDARY DEFECTIVE CARBON STEEL SEAMLESS PIPES/TUBES | 90.00 | 25,036 | 22,53,240 | PUC |
| 2010-11 | 20100831 | CHINA P RP | 73049000 | CARBON STEEL SEAMLESS PIPES AS PER ASTM A106 GR.B/API 5L GR.B | 90.00 | 33,475 | 30,12,715 | PUC |
| 2010-11 | 20100824 | CHINA P RP | 73049000 | CARBON STEEL SEAMLESS TUBES AS PER ASTM A106 GRADE B, OD1 INCHESCH160 THK X5-5. | 89.00 | 45,605 | 40,58,847 | PUC |
| 2010-11 | 20100805 | U K | 73069090 | SECONDARY AND DEFECTIVE PIPES PSI NO.0008/U/D/101131/K DT.21.06.2010.OF WLSI GR | 83.00 | 21,227 | 17,61,856 | PUC |
| 2010-11 | 20100805 | CHINA P RP | 73045110 | BEARING QUALITY STEEL TUBE SAE52100 55.8*7.7 | 82.90 | 39,514 | 32,75,822 | PUC |
| 2010-11 | 20100821 | CHINA P RP | 73042390 | HOLLOW BAR/BAR STOCK OF RELEVANT DIA[6-5/8 OD]5 ODX3 ID HWDPX31 FEET WITH NC50[| 82.71 | 82,949 | 68,61,015 | PUC |
| 2010-11 | 20100830 | ITALY | 73043911 | COLD DRAWN SEAMLESS STEEL TUBE150,50 X 7,75 X 1,00 E355 | 81.25 | 61,107 | 49,64,962 | PUC |
| 2010-11 | 20100803 | ITALY | 73043911 | COLD DRAWN SEAMLESS STEEL TUBE 82.00X6.00X1.00 ST523 | 81.21 | 1,15,999 | 94,20,273 | PUC |
| 2010-11 | 20100802 | U S A | 73049000 | SECONDARY DEFECTIVE NON ALLOY STEEL BRIGHT ROUND HEXAGONAL SQUARE BARS | 81.00 | 26,536 | 21,49,396 | PUC |
| 2010-11 | 20100819 | CHINA P RP | 73045110 | BEARING QUALITY STEEL TUBE SAE-52100 SIZE:55.23X39.70MM (GRADE GCR 15) | 80.40 | 66,280 | 53,28,832 | PUC |
| 2010-11 | 20100817 | CHILE | 73043911 | SEAMLESS PIERCAD HOLLOW | 79.00 | 43,719 | 34,53,813 | PUC |
| 2010-11 | 20100802 | U ARAB EMTS | 73049000 | CARBON STEEL SECONDARY SEAMLESS PIPE | 78.00 | 24,282 | 18,93,967 | PUC |
| 2010-11 | 20100820 | SINGAPORE | 73049000 | CARBON STEEL SEAMLESS PIPES STOCK LOT | 78.00 | 24,215 | 18,88,792 | PUC |
| 2010-11 | 20100806 | CHINA P RP | 73043119 | CARBON SEAMLESS STEEL TUBES ASME SA179 SIZE : (MM)-38.10 OD X 2.8 WT (MIN) X 55 | 76.25 | 63,311 | 48,27,350 | PUC |
| 2010-11 | 20100818 | CHINA P RP | 73049000 | SECONDARY CARBON STEEL SEAMLESS PIPES IN MIXED SIZES | 76.00 | 24,005 | 18,24,364 | PUC |
| 2010-11 | 20100809 | CHINA P RP | 73049000 | CARBON STEEL SEAMLESS PIPES API 5L/ASTM A106 GRADE B SIZE (273MM X 6.35MM X 5 | 75.65 | 32,246 | 24,39,358 | PUC |
| 2010-11 | 20100806 | ITALY | 73049000 | SECONDARY CARBON STEEL SEAMLESS PIPES | 75.00 | 23,967 | 17,97,516 | PUC |
| 2010-11 | 20100830 | CHINA P RP | 73049000 | SEAMLESS CARBON STEEL PIPES API 5 LB ASTM A106/53B | 75.00 | 33,190 | 24,89,256 | PUC |
| 2010-11 | 20100819 | CHINA P RP | 73041910 | CARBON STEEL SEAMLESS STEEL PIPES AS PER API5CT K55 | 74.00 | 46,355 | 34,30,245 | PUC |
| 2010-11 | 20100802 | CHINA P RP | 73043919 | CARBONSTEEL SEAMLESS TUBES ASTM A179 SIZE : OD 38.1MM X THK2.77MM XLENGTH 9760 | 72.98 | 49,007 | 35,76,643 | PUC |
| 2010-11 | 20100830 | GERMANY | 73049000 | CARBON STEEL SEAMLESS PIPE SECONDARY DEFECTIVE | 72.00 | 24,525 | 17,65,822 | PUC |
| 2010-11 | 20100803 | CHINA P RP | 73041990 | SEAMLESS STEEL TUBING API 5CT :108.5MM X 12MM J55 (CARBON STEEL - COLD DRA | 72.00 | 44,080 | 31,73,749 | PUC |
| 2010-11 | 20100811 | SINGAPORE | 73041910 | SEC/DEF STEEL PIPES | 68.00 | 23,775 | 16,16,695 | PUC |
| 2010-11 | 20100810 | CHINA P RP | 73041110 | FINNED TUBES TUBE MATERIAL: SA 210 GR. A1 TUBE SIZE: OD 50.8X4.5 THKX6964 LG FI | 68.00 | 75,624 | 51,42,401 | PUC |
| 2010-11 | 20100802 | CHINA P RP | 73049000 | CARBON STEEL SEAMLESS PIPES (A 106 GR.B) (73OD, 88.9OD,114.3OD,168.3OD X 3.96TH | 68.00 | 44,881 | 30,51,893 | PUC |
| 2010-11 | 20100802 | U S A | 73049000 | CARBON STEEL SECONDARY SEAMLESS PIPE | 66.00 | 21,567 | 14,23,430 | PUC |
| 2010-11 | 20100827 | CHINA P RP | 73045110 | BEARING QUALITY STEEL TUBE SAE-52100 AND SUJ-3 SIZE 30.15 X5.4MM | 64.00 | 72,997 | 46,71,799 | PUC |
| 2010-11 | 20100823 | CHINA P RP | 73049000 | CARBON STEEL SEAMLESS HOT FINISHED MOTHER PIPES ASTM A106 GRB 35X4.5MMX5-5.8M | 62.00 | 42,935 | 26,61,948 | PUC |
| 2010-11 | 20100805 | CHINA P RP | 73042390 | 5 DP G-105 NC50 5 OD X 3-1/2 ID TOOLJOINT ARMACOR M HARDBAND & DPC INTERNAL | 59.68 | 2,01,043 | 1,19,98,017 | PUC |
| 2010-11 | 20100830 | U S A | 73069090 | COLD DRAWN SEAMLESS TUBING A 519 (253.9 OD X 214.66 ID) | 58.63 | 49,340 | 28,92,624 | PUC |
| 2010-11 | 20100830 | CHINA P RP | 73041990 | COLD DRAWN SEAMLESS ALLOY STEEL TUBES GRADE: ASME SA210 GR.A1 SIZE (MM) : 76.2 | 57.45 | 30,767 | 17,67,414 | PUC |
| 2010-11 | 20100818 | CHINA P RP | 73043119 | SEAMLESS CARBON STEEL AND ALLOY STEEL TUBES.OD50.80 X 8.0 X R/L OF 10-12 MTR.GR | 55.45 | 1,04,597 | 57,99,475 | PUC |
| 2010-11 | 20100828 | U S A | 73049000 | SECONDARY DEFECTIVE CARBON STEEL SEAMLESS PIPES | 55.00 | 22,061 | 12,13,360 | PUC |
| 2010-11 | 20100825 | CHINA P RP | 73042390 | DRILL PIPES- (1499.10 MTR) API S135 IEU 5 ODX19.50LBSXR2 DETAILS AS PER DGH CER | 53.00 | 1,87,323 | 99,28,143 | PUC |
| 2010-11 | 20100827 | SINGAPORE | 73049000 | SECONDARY SECOND CHOICE CARBON STEEL SEAMLESS/WELDED PIPES | 52.00 | 21,728 | 11,29,880 | PUC |
| 2010-11 | 20100825 | CHINA P RP | 73049000 | CARBON STEEL SEAMLESS PIPES CONFIRMING ASTM A 106 GR B. | 52.00 | 30,028 | 15,61,478 | PUC |
| 2010-11 | 20100823 | CHILE | 73043119 | CARBON SEAMLESS STEEL PI | 51.00 | 41,102 | 20,96,223 | PUC |
| 2010-11 | 20100816 | U ARAB EMTS | 73049000 | CARBON STEEL SECONDARY/ DEFECTIVE SEAMLESS PIPES | 51.00 | 24,243 | 12,36,403 | PUC |

**Import Data from DGCIS [All Countries PUC]
Apr 2009 to Jun 2012**

| Year | Date | Country | ITC-HS | Item-Des | Quantity (MT) | Price (Rs./MT) | Value (Rs) | PUC/ NPUC |
|---------|----------|-------------|----------|---|---------------|----------------|------------|--------------|
| 2010-11 | 20100814 | BELGIUM | 73049000 | SECONDARY SEAMLESS PIPES | 51.00 | 20,093 | 10,24,756 | PUC |
| 2010-11 | 20100830 | CHINA P RP | 73049000 | CARBON STEEL SEAMLESS PIPES ASTM A 179 SIZE 38.1MM X 4.5 MM X 11.3 M | 51.00 | 51,464 | 26,24,667 | PUC |
| 2010-11 | 20100813 | CHINA P RP | 73043119 | DIN 1629 ST 52 SEAMLESS PIPE (OD 90.0 X WT 7.50 MM) | 50.00 | 54,053 | 27,02,628 | PUC |
| 2010-11 | 20100825 | CHINA P RP | 73049000 | CARBON STEEL SEAMLESS PIPES (SIZE: 14 X SCH12.7 X 5-7 M) (A106 GR-B) | 50.00 | 42,493 | 21,24,666 | PUC |
| 2010-11 | 20100824 | CHINA P RP | 73049000 | CARBON STEEL SEAMLESS TUBE ASTM A106 GR.B | 50.00 | 39,812 | 19,90,611 | PUC |
| 2010-11 | 20100820 | ITALY | 73042990 | SEAMLESS COLD DRAWN TUBES FOR OIL TOOLS SIZE 124.89 X 87.35 MM | 49.70 | 1,14,330 | 56,82,087 | PUC |
| 2010-11 | 20100830 | ITALY | 73069090 | SEAMLESS COLD DRAWN TUBES (225,00 X 200,00 X **** MM) | 49.61 | 33,572 | 16,65,366 | PUC |
| 2010-11 | 20100802 | CHINA P RP | 73049000 | CARBON STEEL SEAMLESS PIPES | 49.00 | 38,132 | 18,68,460 | PUC |
| 2010-11 | 20100825 | CHINA P RP | 73049000 | CARBON STEEL SEAMLESS PIPE ASTM A106 GRB | 49.00 | 31,729 | 15,54,737 | PUC |
| 2010-11 | 20100828 | ITALY | 73041190 | SEAMLESS COLD DRAWN TUBES FOR HYDRAULIC CYLINDER ACCORDING 185,00X***X17.50MM | 48.00 | 99,899 | 47,95,556 | PUC |
| 2010-11 | 20100830 | CONGO P REP | 73049000 | SECONDARY CARBON STEEL PIPE M.S (SEEMLESS) | 48.00 | 22,006 | 10,56,270 | PUC |
| 2010-11 | 20100809 | CHINA P RP | 73043919 | CARBON STEEL SEAMLESS PIPES DIN 17175 ST 35.8 (MOTHER HOLLOW) SIZE 65 MM X 4 M | 48.00 | 45,119 | 21,65,710 | PUC |
| 2010-11 | 20100818 | JAPAN | 73049000 | ALLOY STEEL SEAMLESS STEEL TUBES O.D.47.55MM X W/TH 6.35MM | 47.50 | 1,60,389 | 76,17,872 | PUC |
| 2010-11 | 20100727 | U S A | 73041990 | SECONARY & DEFECTIVE SEAMLESS PIPES PSI NO. 10/GCC/2741-A DT. 05.04.10 WORLDWID | 46.00 | 21,352 | 9,82,179 | PUC |
| 2010-11 | 20100729 | CHINA P RP | 73043119 | SEAMLESS COLD DRAWN TUBES DIN2391 ST 52 BK+S/EN/10355SR TOLERANCE-H8 (ID: 100MM | 45.02 | 35,774 | 16,10,499 | PUC |
| 2010-11 | 20100727 | U S A | 73041990 | SECONDARY & DEFECTIVE SEAMLESS PIPES PSI NO. 10/GCC/2741 DT. 05.04.10 WORLDWIDE | 45.00 | 21,447 | 9,65,108 | PUC |
| 2010-11 | 20100731 | CHINA P RP | 73041110 | CARBON SEAMLESS STEEL TUBES, ASTM A106 GRADE B SIZE1 1/2SCH80/ 4.5MM THK X5-5.8 | 45.00 | 49,602 | 22,32,080 | PUC |
| 2010-11 | 20100816 | CHILE | 73049000 | STEEL PIPES | 44.00 | 43,229 | 19,02,065 | PUC |
| 2010-11 | 20100708 | SWEDEN | 73043119 | COLD DRAWN SEAMLESS STEEL TUBES VCE090 105X90.00H8 | 43.03 | 74,879 | 32,21,673 | PUC |
| 2010-11 | 20100825 | KUWAIT | 73049000 | CARBON STEEL PIPE (SECONDARY)-PSI.CFT.NO.12609-REF:GC/SCRAP/INSP/12609/09 | 43.00 | 24,518 | 10,54,276 | PUC |
| 2010-11 | 20100806 | JAPAN | 73045920 | HOT FINISHED SEAMLESS CARBON AND ALLOY STEEL PIPES A/SA106B GRADE P11 219.1 X 4 | 41.96 | 1,10,721 | 46,46,349 | PUC |
| 2010-11 | 20100813 | CHINA P RP | 73043129 | DIN 1629 ST 52 SEAMLESS PIPE (OD 122.0 X WT 7.50 MM) | 41.00 | 53,809 | 22,06,150 | PUC |
| 2010-11 | 20100726 | CHINA P RP | 73049000 | SEAMLESS STEEL TUBES 21.4X2.5X5000-5800MM (GRADE ST37.4) | 41.00 | 43,376 | 17,78,433 | PUC |
| 2010-11 | 20100825 | CHINA P RP | 73045110 | BEARING QUALITY STEEL TUBE SAE-52100 SIZE:90.25X75.79MM | 40.27 | 61,536 | 24,77,995 | PUC |
| 2010-11 | 20100827 | U ARAB EMTS | 73049000 | SECONDARY SECOND CHOICE CARBON STEEL SEAMLESS & WELDED PIPEAND FITTING MIXED LO | 40.00 | 24,420 | 9,76,807 | PUC |
| 2010-11 | 20100831 | CHINA P RP | 73043939 | NON ALLOY STEEL SEAMLESS TUBES GRADE AISI 1035 SIZE:48.2X5.6MM | 40.00 | 55,653 | 22,26,108 | PUC |
| 2010-11 | 20100802 | CHINA P RP | 73049000 | PRIME CARBON STEEL SEAMLESS PIPE TO DIN 1629 ST 52.4 | 39.00 | 31,390 | 12,24,195 | PUC |
| 2010-11 | 20100802 | U S A | 73049000 | SECONDARY SECOND CARBON STEEL SEAMLESS / WELDED PIPES MIXED THICKNESS MIXED LO | 38.00 | 47,418 | 18,01,878 | PUC |
| 2010-11 | 20100809 | CHINA P RP | 73043119 | SEAMLESS COLD DRAWN HONED TUBE(114 X 100 X L) | 36.82 | 71,686 | 26,39,475 | PUC |
| 2010-11 | 20100823 | CHINA P RP | 73049000 | COLD DRAWN SEAMLESS PIN STEEL TUBE SCM 415H OD 17.30MM X ID 13.0MM | 35.61 | 1,00,656 | 35,83,973 | PUC |
| 2010-11 | 20100816 | CHINA P RP | 73043939 | HYDRAULIC CYLINDER HONED TUBE-156*130 | 35.45 | 41,090 | 14,56,692 | PUC |
| 2010-11 | 20100805 | CHINA P RP | 73041910 | SEAMLESS PRECISION STEEL TUBE - 50 X 6 X L (=940MMX 2/3/4/5/6) | 34.58 | 45,930 | 15,88,067 | PUC |
| 2010-11 | 20100818 | CHINA P RP | 73041110 | PIPE, B-36.10 ASTM A 106 GR B BE SEAMLESS 3.0 INCH STD | 34.53 | 72,840 | 25,14,823 | PUC |
| 2010-11 | 20100730 | CHINA P RP | 73045120 | COLD DRAWN READY TO HONE PRECISION TUBE (159X109 (5-7 MTRS)) | 33.97 | 19,224 | 6,52,984 | PUC |
| 2010-11 | 20100821 | KOREA RP | 73045110 | STEEL TUBE DIA 4.76 0.60MM WITH COPPER COATED | 33.87 | 67,284 | 22,78,719 | PUC |
| 2010-11 | 20100804 | CHINA P RP | 73045110 | STEEL TUBE DIA 4.76 0.60MM WITH COPPER COATED | 33.87 | 67,005 | 22,69,248 | PUC |
| 2010-11 | 20100721 | CHINA P RP | 73045110 | STEEL TUBE DIA 4.76 0.60MM WITH COPPER COATED | 33.87 | 65,954 | 22,33,646 | PUC |
| 2010-11 | 20100831 | CHINA P RP | 73045910 | CARBON STEEL SEAMLESS FILED TUBES SA210 GR.A1 50.8 OD* MW 6.35* 6200 MM LG | 32.60 | 80,148 | 26,12,452 | PUC |
| 2010-11 | 20100812 | CHINA P RP | 73043119 | SKIVED AND BURNISHED TUBES(ID-100MM X OD-125MM.) | 32.12 | 40,969 | 13,16,141 | PUC |
| 2010-11 | 20100805 | CHINA P RP | 73043911 | CARBON STEEL SEAMLESS MOTHER PIPE (HOT FINISHED)20 X 3 X 6000MM (STC 631 PCS) | 31.00 | 54,880 | 17,01,271 | PUC |
| 2010-11 | 20100809 | CHINA P RP | 73043119 | SKIVED AND BURNISHED TUBES(ID-100MM X OD-120MM.) | 30.09 | 43,244 | 13,01,415 | PUC |

**Import Data from DGCIS [All Countries PUC]
Apr 2009 to Jun 2012**

| Year | Date | Country | ITC-HS | Item-Des | Quantity (MT) | Price (Rs./MT) | Value (Rs) | PUC/ NPUC |
|---------|----------|-------------|----------|---|---------------|----------------|------------|--------------|
| 2010-11 | 20100827 | CHINA P RP | 73069090 | CUT BLANK RINGS - 6202 IR CUT BLANKS - OD22.35MM X ID 14.25MM (TUBES MADE FORM | 29.79 | 59,674 | 17,77,829 | PUC |
| 2010-11 | 20100824 | CHINA P RP | 73049000 | CARBON STEEL SEAMLESS TUBES AS PER ASTM A 106 GRADE B, OD 3/4 INCHE X SCH 160 T | 29.00 | 52,341 | 15,17,883 | PUC |
| 2010-11 | 20100827 | CHINA P RP | 73043119 | SKIVED AND BURNISHED TUBES(ID-125MM X OD-140MM) | 27.83 | 46,575 | 12,95,970 | PUC |
| 2010-11 | 20100826 | THAILAND | 73069090 | C.S.TUBES, SPEC: STKM13C OD51.9 X ID45.9 X WT3.0 X L291.5MM | 27.14 | 61,597 | 16,71,928 | PUC |
| 2010-11 | 20100823 | U S A | 73042390 | 4 1/2 OD X .337 WALL X 30 INTERNAL UPSET,GRD E75 RD20 FLUSH JOINT DRILL PIPE | 26.42 | 3,31,861 | 87,66,105 | PUC |
| 2010-11 | 20100819 | U ARAB EMTS | 73049000 | M.S SECONDARY / DEFECTIVE PIPE | 26.00 | 24,514 | 6,37,366 | PUC |
| 2010-11 | 20100825 | SINGAPORE | 73041910 | SECONDARY STEEL PIPES | 26.00 | 24,221 | 6,29,755 | PUC |
| 2010-11 | 20100825 | CHINA P RP | 73049000 | ALLOY STEEL SEAMLESS PIPE GRADE P-5 | 26.00 | 63,954 | 16,62,814 | PUC |
| 2010-11 | 20100811 | CHINA P RP | 73049000 | SEAMLESS PIPE-ASTM-A106GRADEB273MMX9.27MMX10.75MTRS | 26.00 | 44,835 | 11,65,722 | PUC |
| 2010-11 | 20100810 | CHINA P RP | 73043119 | SKIVED AND BURNISHED TUBES-100X114MMX5230X25PCS. | 25.81 | 63,572 | 16,41,017 | PUC |
| 2010-11 | 20100817 | FRANCE | 73049000 | SEAMLESS STEEL PIPES/TUBES (HOT FINISHED) SA-210C (72.200 MTR) P.O. NO. | 25.00 | 1,65,186 | 41,29,644 | PUC |
| 2010-11 | 20100825 | ITALY | 73049000 | SECONDARY SECOND CHOICE CARBON STEEL SEAMLESS TUBES | 25.00 | 31,011 | 7,75,284 | PUC |
| 2010-11 | 20100810 | GERMANY | 73049000 | SECONDARY DEFECTIVE CARBON STEEL SEAMLESS PIPE | 25.00 | 24,958 | 6,23,949 | PUC |
| 2010-11 | 20100806 | CHINA P RP | 73043119 | CARBON STEEL SEAMLESS TUBES AS PER ASTM A106/API 5L GR.B | 25.00 | 31,964 | 7,99,107 | PUC |
| 2010-11 | 20100806 | CHINA P RP | 73043119 | CARBON STEEL SEAMLESS TUBE AS PER ASTM A106/API5L GR.B | 25.00 | 31,925 | 7,98,122 | PUC |
| 2010-11 | 20100823 | CHINA P RP | 73049000 | SECONDARY SEAMLESS CARBON STEEL PIPE LOT | 25.00 | 24,527 | 6,13,182 | PUC |
| 2010-11 | 20100724 | U K | 73043939 | HYDRAULIC CYLINDER HONED TUBE - 140*125 | 24.71 | 54,063 | 13,35,991 | PUC |
| 2010-11 | 20100819 | ITALY | 73041190 | SEAMLESS COLD DRAWN TUBES FOR HYDRAULIC ACCORDING 127,00X***X11,00MM | 24.38 | 99,416 | 24,23,358 | PUC |
| 2010-11 | 20100807 | KUWAIT | 73049000 | SECONDARY CARBON STEEL PIPES SEAMLESS | 24.00 | 18,005 | 4,32,111 | PUC |
| 2010-11 | 20100827 | CHINA P RP | 73043119 | SAE 52100 COLD DRAWN SPHERODIZED ANNEALED SEAMLESS TUBES OD.WALL THICKNESS 30. | 24.00 | 66,233 | 15,89,601 | PUC |
| 2010-11 | 20100827 | CHINA P RP | 73043119 | SPHERODIZED ANNEALED SAE 52100 SEAMLESS COLD DRAWN TUBES OD.WALL THICKNESS 30 | 24.00 | 65,607 | 15,74,556 | PUC |
| 2010-11 | 20100810 | CHINA P RP | 73043119 | SAE 52100 COLD DRAWN SPHERODIZED ANNEALED SEAMLESS TUBES OD.WALL THICKNESS 38. | 24.00 | 63,492 | 15,23,800 | PUC |
| 2010-11 | 20100803 | CHINA P RP | 73042990 | CARBON STEEL SEAMLESS PIPES AS PER ASTM A106 GR.B | 24.00 | 30,783 | 7,38,782 | PUC |
| 2010-11 | 20100811 | CHINA P RP | 73049000 | SEAMLESS STEEL PIPES TO ASTM A 106 GR.B SIZE:4 SCH40*5800MM | 24.00 | 30,283 | 7,26,786 | PUC |
| 2010-11 | 20100814 | CHINA P RP | 73043119 | CARBON STEEL SEAMLESS PIPES (82.5X10X5800MM) | 24.00 | 29,561 | 7,09,454 | PUC |
| 2010-11 | 20100813 | FRANCE | 73043911 | CS NACE SEAMLESS PIPES SIZE: 2 (ASTM A106 GR.B) C/O. JAPAN | 23.00 | 87,411 | 20,10,443 | PUC |
| 2010-11 | 20100818 | BELGIUM | 73049000 | SECONDARY ALLOY STEEL SEAMLESS PIPES IN MIXED SIZES/MIXED THICKNESS AND MIXED L | 23.00 | 75,841 | 17,44,339 | PUC |
| 2010-11 | 20100830 | CHINA P RP | 73049000 | SECONDARY CARBON STEEL PIPES (SIZE 194X25MM) | 23.00 | 42,501 | 9,77,531 | PUC |
| 2010-11 | 20100830 | CHINA P RP | 73041910 | SEAMLESS PIPES ASTM A 106GRB-SIZE (88.9MM X 7.62MM X 5800 MM) | 23.00 | 40,845 | 9,39,437 | PUC |
| 2010-11 | 20100806 | CHINA P RP | 73041190 | CARBON STEEL SEAMLESS TUBES AS PER ASTM A106/API 5L GR.A 60.3X3.91X5800 (169 P | 23.00 | 33,614 | 7,73,132 | PUC |
| 2010-11 | 20100823 | CHINA P RP | 73049000 | CARBON STEEL SEAMLESS PIPES ASTM A 106-B | 23.00 | 31,030 | 7,13,695 | PUC |
| 2010-11 | 20100826 | CHINA P RP | 73049000 | SECONDARY/ DEFECTIVE CARBON STEEL SEAMLESS PIPE | 23.00 | 26,948 | 6,19,812 | PUC |
| 2010-11 | 20100818 | CHINA P RP | 73041990 | BEARING QUALITY STEEL TUBE 69.0*7.5 STEEL GRADE 52100 | 22.88 | 64,748 | 14,81,171 | PUC |
| 2010-11 | 20100819 | CHINA P RP | 73043939 | SEAMLESS STEEL TUBE GRADE SAE52100/GCR15 37.00 X 5.00 | 22.00 | 64,584 | 14,20,849 | PUC |
| 2010-11 | 20100820 | CHINA P RP | 73041990 | SEAMLESS STEEL TUBING API 5CT :94.5MM X 12.8MM J55 (HOT ROLLED) | 22.00 | 47,817 | 10,51,984 | PUC |
| 2010-11 | 20100831 | JAPAN | 73049000 | BEARING QUALITY STEEL TUBES SAE52100 38.95MM OD X 3.85MM WT. | 21.95 | 1,01,363 | 22,25,324 | PUC |
| 2010-11 | 20100803 | ITALY | 73043911 | COLD DRAWN SEAMLESS STEEL TUBE 82.00X6.00X1.00 ST523 | 21.71 | 1,42,135 | 30,85,983 | PUC |
| 2010-11 | 20100825 | CHINA P RP | 73045110 | BEARING QUALITY STEEL TUBE SAE 52100 28.8*2.7 | 21.67 | 72,209 | 15,65,051 | PUC |
| 2010-11 | 20100827 | CHINA P RP | 73043139 | STEEL HONED TUBES (OD 244.5 X ID 190X 1185 MM) | 21.32 | 86,712 | 18,48,956 | PUC |
| 2010-11 | 20100823 | CHINA P RP | 73041110 | MS SEAMLESS PIPES /TUBES 48.3X3.68X5000MM (5.920MTS)48.3X3.68X5800MM(10.190MT) | 21.23 | 24,149 | 5,12,673 | PUC |
| 2010-11 | 20100830 | SINGAPORE | 73049000 | CARBON STEEL SEAMLESS PIPES STOCK LOT | 21.00 | 23,951 | 5,02,975 | PUC |

**Import Data from DGCIS [All Countries PUC]
Apr 2009 to Jun 2012**

| Year | Date | Country | ITC-HS | Item-Des | Quantity (MT) | Price (Rs./MT) | Value (Rs) | PUC/ NPUC |
|---------|----------|-------------|----------|---|---------------|----------------|------------|--------------|
| 2010-11 | 20100830 | SAUDI ARAB | 73049000 | SECONDARY SECOND CARBON STEEL SEAMLESS WELDED PIPE FITTINGS MIXED THICKNESS MIX | 21.00 | 17,622 | 3,70,054 | PUC |
| 2010-11 | 20100826 | CHINA P RP | 73043939 | SAE-52100 ANNEALED BEARING TUBE 43.4 X 6.4 MM MADE OF MS | 21.00 | 73,933 | 15,52,599 | PUC |
| 2010-11 | 20100819 | CHINA P RP | 73045120 | CDS-HONED TUBES (GRADE:ST 52, BK+S) ID 140 MMX OD 160 MM X 5.05 M | 20.39 | 58,999 | 12,02,965 | PUC |
| 2010-11 | 20100803 | CHINA P RP | 73049000 | STEEL TUBES19.7MMX14.5MMX2.60MM | 20.33 | 1,13,640 | 23,10,301 | PUC |
| 2010-11 | 20100823 | JAPAN | 73041110 | C.R ALLOY STEEL TUBE FOR BEARING SIZE OD 35.75MMXWT 6.00MM | 20.00 | 1,06,921 | 21,38,427 | PUC |
| 2010-11 | 20100803 | U ARAB EMTS | 73049000 | SECONDARY CARBON STEEL PIPES SEAMLESS | 20.00 | 18,288 | 3,65,764 | PUC |
| 2010-11 | 20100816 | CHINA P RP | 73049000 | PRIME CARBON STEEL SEAMLESS PIPE TO ASTM A106 GR.B | 20.00 | 31,473 | 6,29,458 | PUC |
| 2010-11 | 20100802 | CHINA P RP | 73049000 | SEAMLESS STEEL TUBES ST19.4MM*12.033MM SCM415H | 19.79 | 1,25,637 | 24,86,610 | PUC |
| 2010-11 | 20100809 | CHINA P RP | 73043139 | HONED TUBE GRADE ST-52-BK+SCDS (140 X 125) | 19.53 | 78,232 | 15,28,190 | PUC |
| 2010-11 | 20100804 | JAPAN | 73049000 | SEAMLESS ALLOY STEEL TUBES JIS G3441 SCM415TK OD34.00MMXID26.00MMX5M | 19.51 | 1,26,782 | 24,73,131 | PUC |
| 2010-11 | 20100804 | CHINA P RP | 73045110 | SEAMLESS STEEL TUBE-GRADE-GCR 15-58X43X7.5MM | 19.43 | 59,257 | 11,51,363 | PUC |
| 2010-11 | 20100823 | CHINA P RP | 73049000 | SEAMLESS STEEL TUBES (12 PCS) (CHEMICAL COMPOSITION: C-0.22, SI-0.55, MN-1.60, | 19.38 | 58,004 | 11,23,997 | PUC |
| 2010-11 | 20100820 | ITALY | 73043911 | COLD DRAWN SEAMLESS STEEL TUBE150,50 X 7,75 X 1,00 E355 | 19.24 | 80,838 | 15,55,429 | PUC |
| 2010-11 | 20100806 | CHINA P RP | 73041110 | PIPE, B-36 10 ASTM A 106 GR B PE SEAMLESS NACE 0.75 INCH S160 | 19.19 | 59,493 | 11,41,473 | PUC |
| 2010-11 | 20100804 | JAPAN | 73041190 | COLD DRAWN STEEL TUBES CST 540E 160X135X6148MM | 19.00 | 1,54,497 | 29,35,441 | PUC |
| 2010-11 | 20100824 | CHINA P RP | 73041190 | STEEL TUBE S45C OD 42 WT 9.0 (C25) | 18.61 | 55,422 | 10,31,129 | PUC |
| 2010-11 | 20100729 | ITALY | 73045110 | STEEL TUBE DIA 4.76 X 0.60 MM WITH COPPER COATED | 18.51 | 61,379 | 11,35,991 | PUC |
| 2010-11 | 20100806 | CHINA P RP | 73041110 | CARBON SEAMLESS STEEL TUBES ASTM A106 GRADE B SIZE 48.3MM OD X 5.08MM THK X5-5. | 17.00 | 46,270 | 7,86,597 | PUC |
| 2010-11 | 20100806 | CHINA P RP | 73041110 | CARBON SEAMLESS STEEL TUBES ASTM A106 GRADE B SIZE 60.00MM OD X5.00MM THK X5-5. | 17.00 | 45,720 | 7,77,240 | PUC |
| 2010-11 | 20100825 | CHINA P RP | 73045120 | COLD DRAWN READY TO HONE PRECISION TUBE (180X213MM) | 16.16 | 23,461 | 3,79,066 | PUC |
| 2010-11 | 20100814 | CHINA P RP | 73041110 | FINNED TUBES SA210 GR.A1 OD 38.1 X 4.06 THK X 9767 LG FIN SIZE: 70HX70WX2THK-11 | 16.00 | 1,19,425 | 19,10,792 | PUC |
| 2010-11 | 20100812 | CHINA P RP | 73049000 | SEAMLESS PIPES - ST52 MADE OF MS (120 X [99.45 - 99.8] X [5000 - 5800]) | 16.00 | 39,741 | 6,35,859 | PUC |
| 2010-11 | 20100827 | CHINA P RP | 73069090 | CUT BLANK RINGS - 6202 OR CUT BLANKS - OD35.55MM X ID28.25MM (TUBES MADE FROM | 15.50 | 92,368 | 14,31,791 | PUC |
| 2010-11 | 20100805 | CHINA P RP | 73049000 | 30.00 MMX6.8 MM SEAMLESS STEEL TUBES BK 5-5-8 METER ST 52 TENSILF 640 MPA MIN | 15.00 | 53,544 | 8,03,155 | PUC |
| 2010-11 | 20100827 | JAPAN | 73049000 | SEAMLESS ALLOY STEEL TUBES JIS G3441 SCM415TK 30.70MM OD X 24.90MM ID X 5M | 14.82 | 1,39,572 | 20,67,892 | PUC |
| 2010-11 | 20100817 | SAUDI ARAB | 73043919 | CARBON STEEL SEAMLESS TUBES T 11 (SIZE 33,4 MM OD X 3,4 MM THK X 8000-9000 MM L | 14.00 | 74,050 | 10,36,695 | PUC |
| 2010-11 | 20100830 | SPAIN | 73043911 | SEAMLESS STEEL TUBE (SHROUD TUBES)(7.0 X 2.0MM) | 12.00 | 1,99,884 | 23,98,612 | PUC |
| 2010-11 | 20100812 | SPAIN | 73043911 | SEAMLESS STEEL TUBE SHROUD TUBES (CARBON STEEL) | 12.00 | 1,96,734 | 23,60,812 | PUC |
| 2010-11 | 20100805 | CHINA P RP | 73041910 | SEAMLESS PRECISION STEEL TUBE - 50 X 6 X L (=940MMX 2/3/4/5/6) | 11.18 | 45,933 | 5,13,300 | PUC |
| 2010-11 | 20100823 | CHINA P RP | 73045110 | BEARING QUALITY STEEL TUBE SAE52100 : (SIZE - 60.6*7.5) | 11.15 | 53,032 | 5,91,201 | PUC |
| 2010-11 | 20100730 | CHINA P RP | 73045110 | COLD DRAWN READY TO HONE PRECISION TUBE (90X105MM) | 11.06 | 48,581 | 5,37,230 | PUC |
| 2010-11 | 20100804 | CHINA P RP | 73043911 | CARBON STEEL SEAMLESS MOTHER PIPE (HOT FINISHED)44.45 X 5.6 X 5000-5800MM (STC | 11.00 | 46,884 | 5,15,723 | PUC |
| 2010-11 | 20100811 | CHINA P RP | 73041190 | SA 192 50.8 X 4.57 X 6500 MM (SEAMLESS CARBON STEEL TUBE) | 10.00 | 83,052 | 8,30,521 | PUC |
| 2010-11 | 20100831 | CHINA P RP | 73041990 | ASTM A 106 GRADE B SEAMLESS PIPES FOR ONE SHIP : SEAMLESS PIPE (OD : 48.30 X | 10.00 | 63,432 | 6,34,324 | PUC |
| 2010-11 | 20100804 | CHINA P RP | 73069090 | CUT BLANK RINGS - 6202 OR CUT BLANKS - OD35.55MM X ID28.25MM (TUBES MADE FROM | 9.59 | 1,01,304 | 9,71,805 | PUC |
| 2010-11 | 20100825 | CHINA P RP | 73045110 | COLD DRAWN READY TO HONE PRECISION TUBE (45X55MM) | 9.39 | 1,02,411 | 9,61,326 | PUC |
| 2010-11 | 20100810 | GERMANY | 73043119 | SEAMLESS HFS TUBES, GRADE 20MNV6, OD 168.3MM X ID 100MM X WT 34.15MM LENGTH 5M | 9.04 | 88,307 | 7,98,431 | PUC |
| 2010-11 | 20100820 | CHINA P RP | 73041910 | DIN 17175, ST52 SEAMLESS STEEL PIPE SIZE 351MMX55MM 4PCS (3500MM LENGTH) | 8.85 | 67,274 | 5,95,510 | PUC |
| 2010-11 | 20100811 | JAPAN | 73043911 | CS NACE SEAMLESS PIPES (ASTM A106 GR.B) SIZE: 2 OD SCH XXS (C/O. JAPAN & FRAN | 8.60 | 1,27,280 | 10,94,605 | PUC |
| 2010-11 | 20100802 | CHINA P RP | 73043919 | CARBON STEEL SEAMLESS ASTM A179 SIZE : 25MMOD X2.5 MM THKX10500-11800MM LENGHT) | 8.46 | 47,824 | 4,04,401 | PUC |
| 2010-11 | 20100830 | ITALY | 73049000 | 3454KG SPARES FOR HOT STRIP MILL...SEAMLESS PIPE SIZE 152.4 X 16 X 6000 MM (OTH | 7.50 | 1,00,694 | 7,55,206 | PUC |

**Import Data from DGCIS [All Countries PUC]
Apr 2009 to Jun 2012**

| Year | Date | Country | ITC-HS | Item-Des | Quantity (MT) | Price (Rs./MT) | Value (Rs) | PUC/ NPUC |
|---------|----------|------------|----------|--|---------------|----------------|------------|--------------|
| 2010-11 | 20100803 | GERMANY | 73041190 | SEAMLESS STEEL PIPE RON 193,7 X 11 ST52 - ALL PIPES ARE FROM GL APPROVED MILL F | 6.84 | 79,602 | 5,44,631 | PUC |
| 2010-11 | 20100823 | JAPAN | 73049000 | COLD DRAWN SEAMLESS PIN STEEL TUBE SCM415H OD 20.35MM X ID 8MM | 6.54 | 2,59,455 | 16,96,576 | PUC |
| 2010-11 | 20100806 | JAPAN | 73045930 | HOT FINISHED SEAMLESS CARBON AND ALLOY STEEL PIPES A/SA106B GRADE P11 273.1 X 2 | 6.10 | 99,436 | 6,06,559 | PUC |
| 2010-11 | 20100817 | SAUDI ARAB | 73043919 | CARBON STEEL SEAMLESS TUBES T 11(SIZE 33,4 MM OD X 3,4 MM THK X 8000-9000 MM LE | 6.00 | 80,933 | 4,85,598 | PUC |
| 2010-11 | 20100816 | CHINA P RP | 73049000 | SEAMLESS PTP HIGH PRESSURE STEEL TUBE OD-6.00MM,1D-2.4,UT.1.8MM (FOR | 5.90 | 6,34,963 | 37,45,847 | PUC |
| 2010-11 | 20100827 | GERMANY | 73043119 | ALLOY STEEL SEAMLESS PIPES.660X27X6000-7000 MM(2 PCS-12.770 MTR X \$.1789.25 PER | 5.70 | 1,89,805 | 10,81,887 | PUC |
| 2010-11 | 20100805 | TAIWAN | 73041190 | SEAMLESS STEEL PIPE(SIZE:185*22 MM) | 5.27 | 57,938 | 3,05,449 | PUC |
| 2010-11 | 20100804 | CHINA P RP | 73069090 | CUT BLANK RINGS - 6002 IR CUT BLANKS OD21.35MM X ID14.25MM (TUBES MADE FROM SA | 5.20 | 1,33,304 | 6,93,048 | PUC |
| 2010-11 | 20100812 | JAPAN | 73049000 | COLD DRAWN SEAMLESS STEEL TUBE (FOR PISTON PIN) GRADE SCM-415H (JIS) (O.D. 13 | 4.86 | 2,75,393 | 13,37,306 | PUC |
| 2010-11 | 20100809 | ITALY | 73043911 | SEAMLESS STEEL TUBES (34CRMO4) SIZE: O.D. 150.00 MM - WT. 3.20MM | 4.74 | 1,16,111 | 5,50,018 | PUC |
| 2010-11 | 20100827 | CHINA P RP | 73043911 | SEAMLESS STEEL PIPES (DIN 2448) SIZE: O.D. 21.30MM | 4.61 | 7,23,642 | 33,33,586 | PUC |
| 2010-11 | 20100730 | JAPAN | 73049000 | COLD DRAWN SEAMLESS STEEL TUBE ITEM NO. O.D. 13.40MM X I.D.9.00MM GRADE SCM-415 | 4.02 | 2,92,289 | 11,76,172 | PUC |
| 2010-11 | 20100730 | JAPAN | 73049000 | COLD DRAWN SEAMLESS STEEL TUBE ITEM NO. O.D. 19.40MM X I.D.11.50MM GRADE SCR-42 | 3.98 | 2,55,424 | 10,15,821 | PUC |
| 2010-11 | 20100819 | GREECE | 73049000 | HOLLOW SECTION 200X200X12.5 EN 10219, S275J0H/S355J2H+CERT. CUTTING STAT NO.730 | 3.65 | 1,01,021 | 3,68,728 | PUC |
| 2010-11 | 20100819 | CHINA P RP | 73045130 | CDS-READY TO HONE PRECISION TUBES (GRADE ST 52,BK+S) ID 200X OD 245 MM X 4-6 M | 3.33 | 68,636 | 2,28,876 | PUC |
| 2010-11 | 20100825 | ITALY | 73069090 | COLD DRAWN SMLS TUBES E355+SR EN 10305/1 (SIZE: 205 X 12.5MM) | 3.15 | 1,49,191 | 4,69,385 | PUC |
| 2010-11 | 20100723 | JAPAN | 73049000 | COLD DRAWN SEAMLESS STEEL TUBE (FOR PISTON PIN) GRADE SCM-415H (JIS G 4052)(| 3.13 | 2,95,893 | 9,24,666 | PUC |
| 2010-11 | 20100823 | JAPAN | 73049000 | COLD DRAWN SEAMLESS PIN STEEL TUBE SCM415H OD20.30 MM X 13MM | 2.94 | 2,44,190 | 7,17,187 | PUC |
| 2010-11 | 20100812 | JAPAN | 73049000 | COLD DRAWN SEAMLESS STEEL TUBE (FOR PISTON PIN) GRADE SCM-415H (JIS) (O.D. 14 | 2.91 | 2,75,393 | 8,01,668 | PUC |
| 2010-11 | 20100827 | JAPAN | 73049000 | 2904KG HOT FINISHED SEAMLESS ALLOY STEEL TUBE OD 101.6MM X 7.3MM X 7770MM (SEA | 2.88 | 1,65,283 | 4,75,494 | PUC |
| 2010-11 | 20100823 | CHINA P RP | 73043129 | CDS STEEL TUBES 190 MM X 160 MM | 2.27 | 82,743 | 1,87,542 | PUC |
| 2010-11 | 20100708 | SWEDEN | 73043129 | COLD DRAWN SEAMLESS STEEL TUBES VAE105 120X104.50+0/-0.30 | 2.15 | 89,098 | 1,91,217 | PUC |
| 2010-11 | 20100821 | SAUDI ARAB | 73049000 | SECONDARY CARBON STEEL SEAMLESS/WELDED PIPES MIXED THICKNESS MIXED LOT. | 2.00 | 25,413 | 50,825 | PUC |
| 2010-11 | 20100821 | SAUDI ARAB | 73049000 | SECONDARY SECOND CARBON STEEL SEAMLESS / WELDED PIPE FITTINGS MIXED THICKNESS | 2.00 | 17,764 | 35,527 | PUC |
| 2010-11 | 20100831 | CHINA P RP | 73041190 | ALLOY STEEL SEAMLESS TUBES GRADE AISI 4130 SIZE:38.6X4.41MM | 2.00 | 1,13,770 | 2,27,540 | PUC |
| 2010-11 | 20100810 | CHINA P RP | 73041110 | FINNED TUBES TUBE MATERIAL: SA 210 GR. A1 TUBE SIZE: OD 50.8X4.5 THKX6789 LG JA | 2.00 | 79,212 | 1,58,423 | PUC |
| 2010-11 | 20100827 | CHINA P RP | 73069090 | CUT BLANK RINGS - 6002 OR CUT BLANKS - OD32.55MM X ID26.15MM (TUBES MADE FROM S | 1.90 | 1,18,925 | 2,25,719 | PUC |
| 2010-11 | 20100802 | CHINA P RP | 73049000 | PIPES AND ACCESSORIES | 1.00 | 26,519 | 26,519 | PUC |
| 2010-11 | 20100816 | ITALY | 73043119 | SEAMLESS COLD-DRAWN TUBE D.50X40 N. 16 SPEZZONI L = 5000MM (IMPORTED FOR INDIAN | 0.46 | 1,62,156 | 74,916 | PUC |
| 2010-11 | 20100804 | GERMANY | 73043119 | STEEL TUBES, HEAVY WALL SMLS 42.40 11.00MM E355 S355J2H EN 10210 EN 10297 3.1 D | 0.45 | 1,94,822 | 87,670 | PUC |
| 2010-11 | 20100830 | SAUDI ARAB | 73049000 | SECONDARY SECOND CARBON STEEL SEAMLESS / WELDED PIPES MIXED THICKNESS MIXED LO | 0.30 | 20,397 | 6,119 | PUC |
| 2010-11 | 20100830 | SAUDI ARAB | 73049000 | SECONDARY SECOND CARBON STEEL SEAMLESS WELDED PIPE FITTINGS MIXED THICKNESS MIXE | 0.30 | 18,697 | 5,609 | PUC |
| 2010-11 | 20100802 | JAPAN | 73049000 | SECONDARY DEFECTIVE M.S.PIPES OF MIX SIZES | 0.20 | 11,955 | 2,391 | PUC |
| 2010-11 | 20100802 | U S A | 73049000 | SECONDARY SECOND CARBON STEEL SEAMLESS / WELDED PIPES MIXED THICKNESS MIXED LO | 0.17 | 86,970 | 14,350 | PUC |
| 2010-11 | 20100802 | SAUDI ARAB | 73049000 | SECONDARY SECOND CARBON STEEL SEAMLESS / WELDED PIPES MIXED THICKNESS MIXED LO | 0.10 | 25,500 | 2,550 | PUC |
| 2010-11 | 20100826 | CHINA P RP | 73049000 | SECONDARY / DEFECTIVE CARBON STEEL SEAMLESS PIPE | 0.10 | 52,080 | 5,208 | PUC |
| 2010-11 | 20100830 | SINGAPORE | 73049000 | CARBON STEEL SEAMLESS PIPES STOCK LOT | 0.07 | 1,02,643 | 7,185 | PUC |
| 2010-11 | 20100826 | JAPAN | 73049000 | SECONDARY ALLOY STEEL SEAMLESS PIPES | 0.05 | 2,320 | 116 | PUC |
| 2010-11 | 20100819 | CHINA P RP | 73049000 | CARBON STEEL SEAMLESS PIPE | 0.04 | 1,04,025 | 4,161 | PUC |
| 2010-11 | 20100828 | U S A | 73049000 | SECONDARY DEFECTIVE CARBON STEEL SEAMLESS PIPES | 0.04 | 1,12,086 | 3,923 | PUC |
| 2010-11 | 20100810 | GERMANY | 73049000 | SECONDARY DEFECTIVE CARBON STEEL SEAMLESS PIPE | 0.03 | 1,23,767 | 3,713 | PUC |

**Import Data from DGCIS [All Countries PUC]
Apr 2009 to Jun 2012**

| Year | Date | Country | ITC-HS | Item-Des | Quantity (MT) | Price (Rs./MT) | Value (Rs) | PUC/ NPUC |
|---------|----------|-------------|----------|---|---------------|----------------|--------------|--------------|
| 2010-11 | 20100827 | U ARAB EMTS | 73049000 | SECONDARY SECOND CHOICE CARBON STEEL SEAMLESS & WELDED PIPE AND FITTING MIXED L | 0.03 | 32,567 | 977 | PUC |
| 2010-11 | 20100823 | CHINA P RP | 73049000 | SECONDARY SEAMLESS CARBON STEEL PIPE LOT | 0.03 | 94,720 | 2,368 | PUC |
| 2010-11 | 20100828 | GERMANY | 73049000 | SECONDARY DEFECTIVE CARBON STEEL SEAMLESS PIPES | 0.02 | 2,10,050 | 4,201 | PUC |
| 2010-11 | 20100810 | GERMANY | 73049000 | SECONDARY / DEFECTIVE CARBON STEEL SEAMLESS PIPE | 0.02 | 1,85,600 | 3,712 | PUC |
| 2010-11 | 20100811 | CHINA P RP | 73049000 | SEAMLESS STEEL PIPES TO ASTM A 106 GR.B SIZE:4 SCH40*5800MM | 0.01 | 1,24,857 | 1,748 | PUC |
| 2010-11 | 20100825 | ITALY | 73049000 | SECONDARY SECOND CHOICE CARBON STEEL SEAMLESS TUBES | 0.01 | 31,000 | 310 | PUC |
| 2010-11 | 20100819 | U ARAB EMTS | 73049000 | M.S SECONDARY / DEFECTIVE PIPE | 0.01 | 24,400 | 244 | PUC |
| 2010-11 | 20100802 | U ARAB EMTS | 73049000 | CARBON STEEL SECONDARY SEAMLESS PIPE | 0.01 | 24,100 | 241 | PUC |
| 2010-11 | 20100825 | BELGIUM | 73049000 | SECONDARY SECOND CHOICE UNASSORTED CARBON STEEL SEAMLESS PIPE | 0.01 | 43,000 | 215 | PUC |
| 2010-11 | 20100802 | CHINA P RP | 73049000 | CARBON STEEL SEAMLESS PIPES | 0.01 | 90,000 | 450 | PUC |
| 2010-11 | 20100819 | GERMANY | 73049000 | CARBON STEEL SEAMLESS PIPE SECONDARY/DEFECTIVE | 0.002 | 1,22,000 | 244 | PUC |
| 2010-11 | 20100802 | U S A | 73049000 | CARBON STEEL SECONDARY SEAMLESS PIPE | 0.002 | 1,07,500 | 215 | PUC |
| 2010-11 | 20100930 | CHINA P RP | 73043911 | SEAMLESS CARBONSTEEL SEAMLESS HOLLOW TO SPEC SA 210 & SA 192 | 3,370.00 | 49,815 | 16,78,77,085 | PUC |
| 2010-11 | 20100903 | CHINA P RP | 73041910 | PLAIN END SEAMLESS PIPES 9-5/8 OD {3448.749 MTS = 43727.73METERS (OR) 3313 PCS | 2,852.53 | 78,448 | 22,37,74,633 | PUC |
| 2010-11 | 20100925 | CHINA P RP | 73041110 | SEAMLESS STEEL LINE PIPE SIZE 273MM X 15.09MM 5L-PSL1 GR.B | 1,403.00 | 39,947 | 5,60,44,956 | PUC |
| 2010-11 | 20100920 | CHINA P RP | 73041910 | PLAIN END SEAMLESS PIPE OF SIZE:2-7/8 OD (609.908 MTS =65581.50 METERS (OR) 67 | 1,131.14 | 53,030 | 5,99,84,104 | PUC |
| 2010-11 | 20100901 | CHINA P RP | 73043911 | SEAMLESS STEEL TUBES (GRADE 37MN) SIZE: 232 X 5.6 X 10675MM | 1,001.50 | 42,289 | 4,23,52,181 | PUC |
| 2010-11 | 20100920 | CHINA P RP | 73043119 | SEAMLESS TUBES.SA210 GR A1. 51MM X 6.35MM X10-11.8 MTR(10291.458MTRX\$7.07/MTR) | 764.00 | 44,199 | 3,37,68,142 | PUC |
| 2010-11 | 20100909 | SPAIN | 73043911 | CARBON STEEL TUBES TO SPEC SA 192 & SA210 | 523.00 | 70,245 | 3,67,38,072 | PUC |
| 2010-11 | 20100916 | CHINA P RP | 73045910 | CARBON SEAMLESS STEEL TUBES ASME SA210M GR.A1 63.5 OD X 4.06 WT X 11000 LG MM | 501.12 | 38,726 | 1,94,06,332 | PUC |
| 2010-11 | 20100903 | CHINA P RP | 98010013 | SEAMLESS CARBON STEEL PIPES SA 106 S37/20/2010/GR 6 CIF RS.29025318 | 501.00 | 57,935 | 2,90,25,318 | PUC |
| 2010-11 | 20100918 | CHINA P RP | 73042990 | HOT ROLLED SEAMLESS STEEL TUBE (C MN) 232MM*5.4 MM (37 MN) | 500.00 | 57,099 | 2,85,49,566 | PUC |
| 2010-11 | 20100902 | SPAIN | 73043911 | 73043911 TUBES(CARBON STEE) TO SPEC.SA210 | 484.00 | 72,175 | 3,49,32,684 | PUC |
| 2010-11 | 20100904 | CHINA P RP | 73049000 | CARBON STEEL SEAMLESS MOTHER PIPE (HOT FINISHED) 60.3X5.54X5000-7000 AS PER INV | 416.97 | 19,145 | 79,82,791 | PUC |
| 2010-11 | 20100906 | ITALY | 73069090 | SEAMLESS COLD DRAWN TUBES (160.00 X 140.00 X *****MM) | 405.76 | 40,795 | 1,65,53,060 | PUC |
| 2010-11 | 20100902 | CHINA P RP | 73041910 | NEW PRIME MANUFACTURED SEAMLESS PIPES 4-1/2 OD {393.186 MTS=76286.94 FEET(OR) | 393.19 | 42,525 | 1,67,20,234 | PUC |
| 2010-11 | 20100904 | CHINA P RP | 73043911 | SEAMLESS STEEL TUBES (34CRMO4) SIZE: 267 MM X 6.5 MM (O.NO.118/DC/SVB/GSA/2007- | 368.00 | 51,949 | 1,91,17,400 | PUC |
| 2010-11 | 20100914 | CHINA P RP | 73042390 | TUBING (73.025MM) USED IN OILWELL OPERATION (TOTAL 222 BDLS) | 367.00 | 56,591 | 2,07,68,692 | PUC |
| 2010-11 | 20100903 | CHINA P RP | 73041990 | SEAMLESS PIPES API5L GR.B/ASTM A106 GR.B/ASTM A53 GR.B (SIZE:60.3 X 3.5 | 365.00 | 47,208 | 1,72,31,058 | PUC |
| 2010-11 | 20100923 | CHINA P RP | 73043911 | SEAMLESS STEEL TUBES OF RELEVANT GRADE : 34CRMO4 SIZE: 267 MM X 6.5 MM | 338.28 | 51,781 | 1,75,16,372 | PUC |
| 2010-11 | 20100915 | CHINA P RP | 73041190 | CARBON SEMALESS STEEL PIPE SIZE 6, THK 11, OD 168.3 WT 11 LENGTH 6-11.8 APL 5 | 312.00 | 51,205 | 1,59,75,933 | PUC |
| 2010-11 | 20100914 | CHINA P RP | 73041190 | CARBON SEAMLESS STEEL PIPE FOR ONE SHIP(SIZE 10, THK 80 OD 273, WT 15.9, LENG | 311.00 | 51,124 | 1,58,99,501 | PUC |
| 2010-11 | 20100904 | CHINA P RP | 73049000 | CARBON STEEL SEAMLESS MOTHER PIPE (HOT FINISHED) 60X6X11800AS PER INVOCIE/PACKI | 296.45 | 16,981 | 50,33,977 | PUC |
| 2010-11 | 20100913 | ITALY | 73069090 | SEAMLESS COLD DRAWN TUBES (124.00 X 105.00 X *****MM) | 290.67 | 56,949 | 1,65,53,706 | PUC |
| 2010-11 | 20100906 | CHINA P RP | 73045910 | CARBON STEEL SEAMLESS TUBES ASME SA210M GR.A1 50.80 OD X 4.06 MIN WT X 11000 LG | 289.52 | 70,030 | 2,02,75,176 | PUC |
| 2010-11 | 20100921 | CHINA P RP | 73049000 | PRIME CARBON STEEL SEAMLESS PIPES GRADE : ASTM A 106 GR.B / API5L GR.B | 258.78 | 33,075 | 85,59,251 | PUC |
| 2010-11 | 20100921 | CHINA P RP | 73045130 | COLD DRAWN SEAMLESS ALLOY STEEL TUBES GRADE: ASME SA210 GR.A1 SIZE: 50.8 OD X 4 | 243.90 | 53,156 | 1,29,64,656 | PUC |
| 2010-11 | 20100907 | CHINA P RP | 73049000 | CARBON STEEL SEAMLESS PIPES CONFIRMING TO ASTM A 106 GRADEB | 241.00 | 30,120 | 72,58,931 | PUC |
| 2010-11 | 20100922 | CHINA P RP | 73049000 | CARBON STEEL SEAMLESS PIPES ASTM A 106 GR.B/API 5L GR.B | 232.73 | 38,420 | 89,41,431 | PUC |
| 2010-11 | 20100914 | CHINA P RP | 73042990 | CDS CARBON STEEL TUBES GR. ASME SA210 GR.A1 SIZE: 76.2 OD X4.06 WT X 7000 LG | 231.26 | 56,977 | 1,31,76,391 | PUC |
| 2010-11 | 20100901 | CHINA P RP | 73043911 | SEAMLESS STEEL GAS CYLIN | 227.00 | 64,471 | 1,46,34,986 | PUC |

**Import Data from DGCIS [All Countries PUC]
Apr 2009 to Jun 2012**

| Year | Date | Country | ITC-HS | Item-Des | Quantity (MT) | Price (Rs./MT) | Value (Rs) | PUC/ NPUC |
|---------|----------|-------------|----------|---|---------------|----------------|-------------|--------------|
| 2010-11 | 20100908 | CHINA P RP | 73049000 | PRIME CARBON STEEL SEAMLESS PIPES GRADE : ASTM A 106 GR.B / API5L GR.B | 224.20 | 33,075 | 74,15,250 | PUC |
| 2010-11 | 20100923 | FRANCE | 73049000 | SEAMLESS STEEL TUBES/PIPES SA210C (2550.880 MTR) (HOT FINISHED) | 221.00 | 1,10,772 | 2,44,80,546 | PUC |
| 2010-11 | 20100910 | CHINA P RP | 73042400 | CARBON SEAMLESS STEEL TUBES (ASME SA210 GR.A1) 51.0 OD X 4.06 WT X 11800 LG | 210.03 | 55,209 | 1,15,95,628 | PUC |
| 2010-11 | 20100915 | CHINA P RP | 73049000 | HOT FINISHED SEAMLESS STEEL TUBE-34CRMO4 | 206.00 | 58,253 | 1,20,00,123 | PUC |
| 2010-11 | 20100930 | CHINA P RP | 98010013 | SEAMLESS CARBON STEEL PIPES S37/22/2010 CIF RS.8607161 | 203.00 | 42,400 | 86,07,160 | PUC |
| 2010-11 | 20100922 | CHINA P RP | 73045910 | CARBON AND ALLOY SEAMLESS STEEL TUBES SA210 GR.A1 38.1 OD X 4.06 WT X 11000 LG | 196.10 | 57,434 | 1,12,63,127 | PUC |
| 2010-11 | 20100915 | CHINA P RP | 73049000 | HOT FINISHED SEAMLESS STEEL TUBE-GRADE 37MN | 196.00 | 52,832 | 1,03,55,159 | PUC |
| 2010-11 | 20100907 | CHINA P RP | 73041990 | M.S.SEAMLESS PIPES SIZE:88.9*7.3(98.710173 MTR) | 195.35 | 45,839 | 89,54,604 | PUC |
| 2010-11 | 20100904 | FRANCE | 73049000 | SECONDARY CARBON STEEL SEAMLESS PIPES (MIXED SIZES) | 191.00 | 22,876 | 43,69,228 | PUC |
| 2010-11 | 20100901 | CHINA P RP | 73043911 | SEAMLESS STEEL GAS CYLIN | 190.00 | 64,328 | 1,22,22,300 | PUC |
| 2010-11 | 20100908 | CHINA P RP | 73049000 | HOT ROLLED SEAMLESS STEEL PIPES FOR GAS CYLINDER 37MN | 174.00 | 55,907 | 97,27,869 | PUC |
| 2010-11 | 20100928 | U ARAB EMTS | 73049000 | OIL WELL EQUIPMENT : DRILL PIPE 2-7/8 OD IF RIGHT HAND, G-105 GRADE OF 10.4 PP | 172.70 | 3,48,992 | 6,02,72,100 | PUC |
| 2010-11 | 20100901 | CHINA P RP | 73043911 | SEAMLESS STEEL GAS CYLIN | 170.00 | 60,250 | 1,02,42,574 | PUC |
| 2010-11 | 20100915 | CHINA P RP | 73043119 | COLD DRAWN SEAMLESS STEEL TUBES AS PER DIN STD 2391 50 MM OD X 38 MM ID | 166.00 | 47,368 | 78,63,136 | PUC |
| 2010-11 | 20100913 | CHINA P RP | 73043119 | HFS CARBON STEEL TUBES SA-192/210 GRADE.A1 SIZE(MM):51X4X 8000MM | 165.39 | 65,324 | 1,08,04,172 | PUC |
| 2010-11 | 20100929 | ITALY | 73045930 | SEAMLESS STEEL PIPES ASME SA-2 STEEL A-1 OD 50.80 MM X 4.06 WT MM X 10.5 L M | 165.30 | 60,885 | 1,00,64,503 | PUC |
| 2010-11 | 20100916 | SPAIN | 73045910 | SEAMLESS STEEL TUBES ASME II SA 210-07 GRADE A-1 38.1 X 4.06 X 11000 MM | 160.13 | 1,31,662 | 2,10,83,206 | PUC |
| 2010-11 | 20100920 | CHINA P RP | 73043119 | COLD DRAWN SEAMLESS STEEL TUBES AS PER DIN STD 2391 50 MM OD X 38 MM ID | 159.00 | 47,430 | 75,41,415 | PUC |
| 2010-11 | 20100913 | CHINA P RP | 73049000 | CARBON STEEL SEAMLESS PIPES AS PER ASTM A106 GR.B/API 5L GR.B/A53 GR B | 155.00 | 33,247 | 51,53,350 | PUC |
| 2010-11 | 20100913 | ITALY | 73043139 | HYDRAULIC CYLINDER TUBE SIZE : 250 X 220MM | 154.44 | 10,523 | 16,25,233 | PUC |
| 2010-11 | 20100929 | CHINA P RP | 73043119 | CARBON STEEL TUBES.OD.63.5MMX6.35MMX8.0 MTR .GRADE SA 210 GR C (13200 MTR X \$.1 | 153.00 | 70,122 | 1,07,28,674 | PUC |
| 2010-11 | 20100929 | CHINA P RP | 73043119 | CARBON STEEL TUBES.SIZE.63.5MM X 6.35MM X 8.0M.DRADE.SA210 GR C (1650 PCS - 1320 | 153.00 | 70,122 | 1,07,28,674 | PUC |
| 2010-11 | 20100904 | CHINA P RP | 73049000 | PRIME CARBON STEEL SEAMLESS PIPES GRADE : ASTM A 106 GR.B / API5L GR.B/A53 GR.B | 153.00 | 33,274 | 50,90,937 | PUC |
| 2010-11 | 20100914 | CHINA P RP | 73045110 | CARBON SEAMLESS STEEL TUBES ASME SA210 GRA1 63.5 ODX4.5WTX11800LG | 152.41 | 40,170 | 61,22,271 | PUC |
| 2010-11 | 20100915 | CHINA P RP | 73049000 | CARBON SEAMLESS STEEL PIPES AS PER ASTM A106/API5L GR B/ASTM A53GR.B | 150.00 | 29,853 | 44,77,955 | PUC |
| 2010-11 | 20100924 | CHINA P RP | 73069090 | BEARINGS SEAMLESS STEEL TUBES - 6302 OR (8 BDL) | 142.71 | 89,654 | 1,27,94,469 | PUC |
| 2010-11 | 20100913 | CHINA P RP | 73043919 | CARBON STEEL SEAMLESS TUBES DIN1629-84 ST30AL SIZE : OD 20MM X THICKNESS 1.8MM | 133.81 | 57,877 | 77,44,245 | PUC |
| 2010-11 | 20100904 | CHINA P RP | 73049000 | PRIME CARBON STEEL SEAMLESS PIPES (A 106 GR.B / API 5L GR.B) (18 X SCH80 X 50 | 133.00 | 40,338 | 53,64,918 | PUC |
| 2010-11 | 20100908 | JAPAN | 73049000 | SECONDARY DEFECTIVE M.S.PIPES OF MIX SIZES | 130.00 | 20,373 | 26,48,460 | PUC |
| 2010-11 | 20100921 | CHINA P RP | 73043119 | SEAMLESS PIPES ASTM A 106 GR B./API 5L GR.B 4 X SCH 40 X5-5.8 MTR | 129.96 | 38,365 | 49,85,892 | PUC |
| 2010-11 | 20100922 | SWEDEN | 73045110 | SECONDARY & DEFECTIVE SEAMLESS STEEL TUBES (ALLOY), GRADE:ST52-3, SIZE: 40.00-1 | 129.00 | 29,716 | 38,33,377 | PUC |
| 2010-11 | 20100916 | CHINA P RP | 73045110 | BEARING QUALITY STEEL TUBE SAE-52100 (AU1101 IR) SIZE:51.8X8.9MM | 127.00 | 66,875 | 84,93,082 | PUC |
| 2010-11 | 20100918 | CHINA P RP | 73043119 | SEAMLESS TUBES.GRADE.ASME SA 210 GRADE A1.SIZE 51.MM OD X 4.5MM THK X10-11.8 MT | 124.00 | 44,407 | 55,06,438 | PUC |
| 2010-11 | 20100925 | CHINA P RP | 73041110 | SEAMLESS STEEL LINE PIPE SIZE 273MM X 15.09MM 5L PSL1 GR.B | 124.00 | 39,976 | 49,57,004 | PUC |
| 2010-11 | 20100917 | CHINA P RP | 73045110 | BB 1103 IR 46.75 X 34.75 MM BEARING QUALITY STEEL TUBE SAE 52100 | 123.38 | 59,993 | 74,02,049 | PUC |
| 2010-11 | 20100924 | CHINA P RP | 73045110 | BEARING QUALITY STEEL TUBE SAE 52100(6307 OR)GRADE GCR15 SIZE 80.30X67.27MM | 122.41 | 61,278 | 75,01,104 | PUC |
| 2010-11 | 20100914 | U ARAB EMTS | 73043911 | CS NACE SEAMLESS PIPES (A106 GR.B) SIZE: 6 | 117.54 | 70,936 | 83,37,664 | PUC |
| 2010-11 | 20100907 | CHINA P RP | 73045110 | COLD DRAWN SEAMLESS CARBON STEEL TUBES ASTM A 519 GRADE SAE1541SR (SIZE: 88.90 | 113.00 | 55,101 | 62,26,373 | PUC |
| 2010-11 | 20100916 | CHINA P RP | 73041190 | CS SEAMLESS TUBES (31.75*2.11*12400) | 111.27 | 60,672 | 67,50,891 | PUC |
| 2010-11 | 20100918 | CHINA P RP | 73049000 | SEAMLESS PIPE API 5L GR.B 219.0 MM X12.70MM (A106) | 107.00 | 37,780 | 40,42,483 | PUC |
| 2010-11 | 20100930 | SWEDEN | 73045110 | SECONDARY AND DEFECTIVE SEAMLESS STEEL TUBES (CARBON STEEL) GRADE: ST 52-3, SIZ | 103.00 | 29,788 | 30,68,114 | PUC |

**Import Data from DGCIS [All Countries PUC]
Apr 2009 to Jun 2012**

| Year | Date | Country | ITC-HS | Item-Des | Quantity (MT) | Price (Rs./MT) | Value (Rs) | PUC/ NPUC |
|---------|----------|------------|----------|---|---------------|----------------|-------------|--------------|
| 2010-11 | 20100915 | CHINA P RP | 73041910 | SEAMLESS PIPE UPSETED AND HEAT TREATMENT DGH CERT NO ECIN201009090013 DT 9.9.10 | 102.00 | 1,64,974 | 1,68,27,320 | PUC |
| 2010-11 | 20100914 | CHINA P RP | 73049000 | SECONDARY CARBON STEEL SEAMLESS PIPES IN MIXED SIZES | 102.00 | 23,782 | 24,25,752 | PUC |
| 2010-11 | 20100914 | CHINA P RP | 73049000 | CARBON STEEL SEAMLESS PIPES API 5LB/ASTM A106B/A53B | 101.00 | 31,592 | 31,90,786 | PUC |
| 2010-11 | 20100922 | CHINA P RP | 73045110 | BEARING QUALITY STEEL TUBE SAE-52100 AND SUJ-3 (BB10790R) SIZE 51.7 X 5.95 MM | 99.00 | 78,673 | 77,88,670 | PUC |
| 2010-11 | 20100901 | CHINA P RP | 73049000 | HOT ROLLED SEAMLESS STEEL PIPES FOR GAS CYLINDER 37MN | 99.00 | 49,923 | 49,42,397 | PUC |
| 2010-11 | 20100913 | CHINA P RP | 73049000 | CARBON STEEL SEAMLESS PIPES AS PER DIN 17175 ST 35.8 SIZE 30 MM X 3 MM X 10 - | 97.00 | 45,671 | 44,30,130 | PUC |
| 2010-11 | 20100908 | CHINA P RP | 73043129 | STEEL HONED TUBES (OD 267 X ID 224.5 MM) NET WT 694 KGS | 95.72 | 18,873 | 18,06,536 | PUC |
| 2010-11 | 20100901 | CHINA P RP | 73043119 | DIN 1629 ST 52 SEAMLESS PIPE (OD 122.0 X WT 7.50 MM) . | 95.00 | 53,474 | 50,80,013 | PUC |
| 2010-11 | 20100906 | CHINA P RP | 73049000 | PRIME CARBON STEEL SEAMLESS PIPES TO ASTM A 106 GR. B | 93.00 | 29,295 | 27,24,435 | PUC |
| 2010-11 | 20100923 | CHINA P RP | 73049000 | CARBON STEEL SEAMLESS PIPES CONFORMING TO ASTM A106 GR.B | 92.00 | 43,060 | 39,61,523 | PUC |
| 2010-11 | 20100906 | U S A | 73049000 | SECONDARY DEFECTIVE CARBON STEEL SEAMLESS PIPE | 89.00 | 24,070 | 21,42,236 | PUC |
| 2010-11 | 20100923 | ITALY | 73043911 | SEAMLESS STEEL PIPES (API 5L GR X 60) SIZE: OD:273.10MM X WT. 22.20MM | 79.29 | 78,778 | 62,46,028 | PUC |
| 2010-11 | 20100917 | CHINA P RP | 73049000 | PRIME CARBON STEEL SEAMLESS PIPES TO ASTM A106 GR. B | 79.00 | 31,976 | 25,26,104 | PUC |
| 2010-11 | 20100922 | U K | 73049000 | SECONDARY SECOND CHOICE CARBON STEEL SEAMLESS/WELDED PIPES | 78.00 | 21,548 | 16,80,734 | PUC |
| 2010-11 | 20100902 | SWEDEN | 73045110 | SECONDARY & DEFECTIVE SEAMLESS STEEL TUBES (ALLOY), GRADE:100CR6, SIZE: THIXWID | 76.00 | 33,171 | 25,21,023 | PUC |
| 2010-11 | 20100921 | U S A | 73049000 | CARBON STEEL PIPES (SECONDARY DEFECTIVE) NON ALLOY. | 76.00 | 23,186 | 17,62,151 | PUC |
| 2010-11 | 20100913 | CHINA P RP | 73049000 | CARBON STEEL SEAMLESS PIPE A 106GR.B SIZE (219MM X 6.4MM) | 76.00 | 32,649 | 24,81,333 | PUC |
| 2010-11 | 20100925 | JAPAN | 73049000 | BEARING QUALITY STEEL TUBES SAE52100 OD 53.15 X WT 7.40MM | 75.90 | 99,183 | 75,27,868 | PUC |
| 2010-11 | 20100916 | CHINA P RP | 73043929 | COLD DRAWN SEAMLESS TUBE FOR HYD CYLINDER (113X6.75X4440MM) | 75.11 | 17,051 | 12,80,612 | PUC |
| 2010-11 | 20100904 | SWEDEN | 73045110 | SECONDARY & DEFECTIVE SEAMLESS STEEL TUBES (ALLOY), GRADE:ST52-3, SIZE: THIXWID | 75.00 | 33,115 | 24,83,621 | PUC |
| 2010-11 | 20100906 | CHINA P RP | 73041910 | CARBON STEEL SEAMLESS STEEL PIPES AS PER API 5CT K55 | 74.00 | 46,218 | 34,20,144 | PUC |
| 2010-11 | 20100925 | JAPAN | 73049000 | BEARING QUALITY STEEL TUBES SAE52100 OD62.90MM X WT6.15MM | 73.56 | 99,372 | 73,09,931 | PUC |
| 2010-11 | 20100904 | CHINA P RP | 73049000 | PRIME CARBON STEEL SEAMLESS PIPES GRADE : ASTM A 106 GR.B / API5L GR.B | 72.17 | 33,075 | 23,86,858 | PUC |
| 2010-11 | 20100928 | GERMANY | 73049000 | CARBON STEEL SECOND CHOICE SEAMLESS PIPES | 72.00 | 32,086 | 23,10,163 | PUC |
| 2010-11 | 20100928 | CHINA P RP | 73043119 | SEAMLESS CARBON STEEL TUBE - 38.1X 3.66X11800 MM | 70.00 | 47,357 | 33,14,966 | PUC |
| 2010-11 | 20100903 | CHINA P RP | 73049000 | SEAMLESS STEEL TUBES BK,3.5-4.5 METER SIZE 20.00+-0.15X14.25+-0.15 | 68.00 | 51,347 | 34,91,562 | PUC |
| 2010-11 | 20100913 | CHINA P RP | 73043119 | CARBON SEAMLESS STEEL TUBES-ASME SA179, SIZE: (MM) - 38.1 OD X 2.77 WT (MIN) X | 66.31 | 54,740 | 36,29,650 | PUC |
| 2010-11 | 20100908 | CHINA P RP | 73049000 | CARBON STEEL SEAMLESS | 66.00 | 30,216 | 19,94,284 | PUC |
| 2010-11 | 20100913 | CHINA P RP | 73049000 | CARBON STEEL SEAMLESS PIPES GRADE ASTM A 106-B/API 5L-B | 66.00 | 29,730 | 19,62,150 | PUC |
| 2010-11 | 20100901 | CHINA P RP | 73049000 | SEAMLESS STEEL PIPES | 65.00 | 96,762 | 62,89,544 | PUC |
| 2010-11 | 20100913 | CHINA P RP | 73043119 | HOT FINISHED SEAMLESS CARBON STEEL PIPES.273.1MMX28.58MM(4.0-7.0).ASTM A/ASME S | 64.00 | 56,125 | 35,92,029 | PUC |
| 2010-11 | 20100908 | CHINA P RP | 73041110 | CS TUBES SEAMLESS TUBE SA 179-25OD X 2.5WT X 10500 LG | 63.00 | 52,501 | 33,07,580 | PUC |
| 2010-11 | 20100906 | CHINA P RP | 73045110 | BEARING QUALITY STEEL TUBE SAE-52100 AND SUJ-3 SIZE:20.1X4.35MM | 61.00 | 77,294 | 47,14,929 | PUC |
| 2010-11 | 20100913 | CHINA P RP | 73049000 | 14560KG TUBE 37.70 X 4.52 (SEAMLESS STEEL TUBES) | 58.24 | 65,545 | 38,17,319 | PUC |
| 2010-11 | 20100903 | CHINA P RP | 73043119 | 38.1 OD X 4.06 WT X 7500 LG /SEAMLESS STEEL TUBES (ASME SA210M GR A1) | 55.19 | 87,497 | 48,28,567 | PUC |
| 2010-11 | 20100921 | U S A | 73049000 | CARBON STEEL PIPES (SECONDARY DEFECTIVE) NON ALLOY. | 55.00 | 22,649 | 12,45,711 | PUC |
| 2010-11 | 20100915 | OMAN | 73049000 | SECONDARY DEFECTIVE CARBON STEEL SEAMLESS PIPE | 54.00 | 21,840 | 11,79,368 | PUC |
| 2010-11 | 20100903 | JAPAN | 73049000 | ALLOY STEEL SEAMLESS STEEL TUBES O.D.47.55MMXW/TH 6.35MM | 53.54 | 1,66,046 | 88,89,650 | PUC |
| 2010-11 | 20100918 | SAUDI ARAB | 73049000 | SECONDARY SECOND CARBON STEEL SEAMLESS / WELDED PIPES MIXED THICKNESS MIXED LO | 53.00 | 17,234 | 9,13,428 | PUC |
| 2010-11 | 20100923 | CHINA P RP | 73049000 | SEAMLESS CARBON STEEL PIPES API5LB ASTM A106B/A53B | 53.00 | 33,166 | 17,57,804 | PUC |
| 2010-11 | 20100903 | CANADA | 73049000 | SECONDARY/DEFECTIVE CARBON STEEL SEAMLESS PIPE | 52.00 | 22,965 | 11,94,163 | PUC |

**Import Data from DGCIS [All Countries PUC]
Apr 2009 to Jun 2012**

| Year | Date | Country | ITC-HS | Item-Des | Quantity (MT) | Price (Rs./MT) | Value (Rs) | PUC/ NPUC |
|---------|----------|-------------|----------|---|---------------|----------------|------------|--------------|
| 2010-11 | 20100910 | U ARAB EMTS | 73049000 | CARBON STEEL PIPES STOCK LOT | 52.00 | 21,833 | 11,35,290 | PUC |
| 2010-11 | 20100923 | CHINA P RP | 73041110 | CARBON STEEL SEAMLESS TUBES ASME SA210 GRA1 OD 38.1X4.06X11000MM | 52.00 | 64,709 | 33,64,893 | PUC |
| 2010-11 | 20100901 | CHINA P RP | 73045110 | COLD DRAWN CARBON STEEL SEAMLESS TUBES-SIZEOD:60MM, W.T. 5 MM, LENGTH : 10--11, | 51.00 | 49,618 | 25,30,503 | PUC |
| 2010-11 | 20100906 | CHINA P RP | 73049000 | CARBON STEEL SEAMLESS PIPES ASTM A106-B/API 5LB PSL1- SIZE: 168.3 * 10.97 * 10- | 51.00 | 44,670 | 22,78,175 | PUC |
| 2010-11 | 20100830 | CHINA P RP | 73045110 | COLD DRAWN CARBON STEEL SEAMLESS TUBES -STANDARD-DIN17175 SIZE: 33MM WT 3.2MM | 51.00 | 42,901 | 21,87,949 | PUC |
| 2010-11 | 20100906 | CHINA P RP | 73049000 | CARBON STEEL SEAMLESS PIPES ASTM A 106-B | 51.00 | 31,559 | 16,09,522 | PUC |
| 2010-11 | 20100922 | CHINA P RP | 73043119 | CARBON STEEL SEAMLESS PIPES AS PER ASTM A106 GR.A/API 5L | 51.00 | 30,924 | 15,77,148 | PUC |
| 2010-11 | 20100907 | CHINA P RP | 73049000 | CARBON STEEL SEAMLESS PIPES ASTM A106-B/API 5LB PSL1- SIZE 168.3 * 10.97*10-11. | 50.00 | 44,631 | 22,31,549 | PUC |
| 2010-11 | 20100906 | CHINA P RP | 73049000 | SEAMLESS STEEL PIPES (SIZE: 45X4X5800) (LENGTH: 5.8 MTR) (CAPTIVE CONSUMPTION) | 50.00 | 44,031 | 22,01,538 | PUC |
| 2010-11 | 20100913 | CHINA P RP | 73049000 | SEAMLESS CARBON STEEL PIPES,API 5LB/ASTM A106B/A53B | 50.00 | 33,258 | 16,62,912 | PUC |
| 2010-11 | 20100918 | GERMANY | 73049000 | CARBON STEEL SECONDARY DEFECTIVE SEAMLESS PIPE | 48.00 | 24,341 | 11,68,345 | PUC |
| 2010-11 | 20100904 | CHINA P RP | 73049000 | CARBON STEEL SEAMLESS PIPES (SIZE 24 X SCH80 X 5-7M) (A106 GR-B) | 48.00 | 43,366 | 20,81,552 | PUC |
| 2010-11 | 20100906 | CHINA P RP | 73045110 | CARBON SEAMLESS STEEL TUBES ASME SA210 GR A1 0.350DX4.5W+XR/L OF 11000-11800LG | 47.66 | 1,03,623 | 49,39,122 | PUC |
| 2010-11 | 20100904 | CHINA P RP | 73049000 | CARBON STEEL SEAMLESS MOTHER PIPE (HOT FINISHED) 21.3X2.77X4500 AS PER INVOICE/ | 46.20 | 44,622 | 20,61,735 | PUC |
| 2010-11 | 20100916 | JAPAN | 73049000 | SECONDARY ALLOY STEEL SEAMLESS PIPES IN MIXED SIZES/MIXED THICKNESS & MIXED LEN | 46.00 | 47,854 | 22,01,278 | PUC |
| 2010-11 | 20100924 | U S A | 73049000 | M.S.SECONDARY/DEFECTIVE PIPES (P.S.I.C.NO.0008/U/D/103289/K DT:20.07.2010) | 46.00 | 20,611 | 9,48,101 | PUC |
| 2010-11 | 20100920 | ITALY | 73044100 | CDS SRB-H8 ST52BK-S.220X190X3110L CYLINDER TUBES (P.O # BEPO/NM1/4200056020 - | 46.00 | 12,432 | 5,71,850 | PUC |
| 2010-11 | 20100904 | CHINA P RP | 73043119 | SEAMLESS LINE PIPES API 5L GRB/ASTM A106 GR B BEWELD END AND VARNISH COTING AND | 46.00 | 37,301 | 17,15,851 | PUC |
| 2010-11 | 20100917 | CHINA P RP | 73049000 | CARBON STEEL SEAMLESS PIPES | 46.00 | 29,429 | 13,53,722 | PUC |
| 2010-11 | 20100921 | MALAYSIA | 73049000 | CARBON STEEL PIPES STOCK LOT | 45.00 | 22,967 | 10,33,503 | PUC |
| 2010-11 | 20100928 | GERMANY | 73049000 | CARBON STEEL SECONDARY / DEFECTIVE SEAMLESS TUBES OF VERIOUS DIAMETERS, THIKNES | 45.00 | 22,475 | 10,11,382 | PUC |
| 2010-11 | 20100908 | CHINA P RP | 73041110 | CS TUBES SEAMLESS TUBE SA 179-25OD X 2.5WT X 10500 LG | 44.00 | 53,039 | 23,33,734 | PUC |
| 2010-11 | 20100924 | CHINA P RP | 73049000 | CARBON STEEL SEAMLESS PIPES ASTM A 106 GR.B. | 44.00 | 38,815 | 17,07,868 | PUC |
| 2010-11 | 20100916 | SPAIN | 98010013 | CARBON STEEL TUBES (TO SPEC SA 210)(S37/20/2010/GR6),(CIF.RS.2724269) | 43.00 | 63,355 | 27,24,269 | PUC |
| 2010-11 | 20100913 | U S A | 73069090 | COLD DRAWN SEAMLESS TUBING (244.6 OD X 186.94 ID) | 42.36 | 1,11,450 | 47,20,576 | PUC |
| 2010-11 | 20100906 | CHINA P RP | 73045110 | BEARING QUALITY STEEL TUBE SAE 52100 (6905 OR)GRADE GCR15 SIZE:42.25X36.57MM | 41.15 | 59,353 | 24,42,244 | PUC |
| 2010-11 | 20100907 | SINGAPORE | 73041910 | SEC/DEF STEEL PIPES | 40.00 | 24,211 | 9,68,436 | PUC |
| 2010-11 | 20100908 | CANADA | 73049000 | SECONDARY CABRON STEEL SEAMLESS PIPES | 39.00 | 22,948 | 8,94,989 | PUC |
| 2010-11 | 20100902 | CHINA P RP | 73045110 | BEARING QUALITY STEEL TUBE SAE - 52100 AND SUJ -3 62041R 28.5X4.6MM | 39.00 | 81,377 | 31,73,721 | PUC |
| 2010-11 | 20100901 | CHINA P RP | 73049000 | CARBON STEEL SEAMLESS PIPE CONFIRMING TO ASTM A519 | 38.70 | 35,317 | 13,66,787 | PUC |
| 2010-11 | 20100904 | CHINA P RP | 73043919 | CARBON STEEL SEAMLESS TUBES DIN-1629/84ST30AL (SIZE 30 MM OD X 3.5 MM THK X 500 | 37.00 | 57,221 | 21,17,178 | PUC |
| 2010-11 | 20100909 | CHINA P RP | 73045110 | STEEL TUBE DIA 4.76 0.60MM WITH COPPER COATED | 33.87 | 67,142 | 22,73,906 | PUC |
| 2010-11 | 20100923 | CHINA P RP | 73045110 | STEEL TUBE DIA 4.76 X 0.60MM WITH COPPER COATED | 33.87 | 66,375 | 22,47,919 | PUC |
| 2010-11 | 20100904 | CHINA P RP | 73045110 | STEEL TUBE DIA 4.76 0.55MM WITH ZINC COATED | 31.42 | 70,722 | 22,21,931 | PUC |
| 2010-11 | 20100923 | CHINA P RP | 73043911 | SEAMLESS STEEL TUBES OF RELEVANT GRADE : 34CRMO4 SIZE: 267 MM X 6.5 MM | 30.29 | 51,781 | 15,68,606 | PUC |
| 2010-11 | 20100921 | CHINA P RP | 73045910 | CARBON STEEL TUBES SA210 GR.A1 38.1 OD X 4.06 WT X 11000 MM LG | 29.07 | 57,929 | 16,83,730 | PUC |
| 2010-11 | 20100914 | CHINA P RP | 73042990 | 25000KG SEAMLESS CARBON STEEL PIPE ASTM A106 GR.B 0164A0392 38MM OD X 12MM THK | 28.86 | 41,861 | 12,08,286 | PUC |
| 2010-11 | 20100916 | SPAIN | 73045910 | SEAMLESS STEEL TUBES ASME II SA 210-07 GRADE A-1 101.6 X 6.35 X 10500 MM | 27.51 | 83,582 | 22,99,744 | PUC |
| 2010-11 | 20100927 | MALAYSIA | 73049000 | CARBON STEEL SECONDARY DEFECTIVE SEAMLESS PIPES | 27.00 | 25,112 | 6,78,034 | PUC |
| 2010-11 | 20100921 | MALAYSIA | 73049000 | CARBON STEEL SECONDARY DEFECTIVE SEAMLESS PIPES | 27.00 | 24,855 | 6,71,079 | PUC |
| 2010-11 | 20100908 | CHINA P RP | 73049000 | PRIME CARBON STEEL SEAMLESS PIPES GRADE : ASTM A 106 GR.B / API5L GR.B | 26.94 | 33,075 | 8,90,974 | PUC |

**Import Data from DGCIS [All Countries PUC]
Apr 2009 to Jun 2012**

| Year | Date | Country | ITC-HS | Item-Des | Quantity (MT) | Price (Rs./MT) | Value (Rs) | PUC/ NPUC |
|---------|----------|-------------|----------|---|---------------|----------------|------------|--------------|
| 2010-11 | 20100908 | ITALY | 73043119 | COLD DRAWN SEAMLESS TUBE FOR HYD CYLINDER (111.00X95) | 26.85 | 69,974 | 18,79,029 | PUC |
| 2010-11 | 20100928 | MALAYSIA | 73049000 | CARBON STEEL SECONDARY DEFECTIVE SEAMLESS PIPES | 26.00 | 25,835 | 6,71,704 | PUC |
| 2010-11 | 20100921 | MALAYSIA | 73049000 | CARBON STEEL SECONDARY DEFECTIVE SEAMLESS PIPES | 26.00 | 25,266 | 6,56,910 | PUC |
| 2010-11 | 20100902 | MALAYSIA | 73049000 | SECONDARY DEFECTIVE CARBON STEEL SEAMLESS PIPES | 26.00 | 25,152 | 6,53,942 | PUC |
| 2010-11 | 20100903 | CANADA | 73049000 | SECONDARY/DEFECTIVE CARBON STEEL SEAMLESS PIPE | 26.00 | 23,840 | 6,19,845 | PUC |
| 2010-11 | 20100913 | CHINA P RP | 73045110 | COLD DRAWN CARBON STEEL SEAMLESS TUBES SIZE: 60.3X2.85X9100 | 26.00 | 51,027 | 13,26,698 | PUC |
| 2010-11 | 20100902 | CHINA P RP | 73049000 | SECONDARY DEFECTIVE CARBON STEEL SEAMLESS PIPES | 26.00 | 26,337 | 6,84,771 | PUC |
| 2010-11 | 20100916 | CHINA P RP | 73049000 | CARBON STEEL SEAMLESS MOTHER PIPE(HOT FINISHED) 32X2.8X9100AS PER INVOICE/PACKI | 25.05 | 49,992 | 12,52,478 | PUC |
| 2010-11 | 20100928 | MALAYSIA | 73049000 | CARBON STEEL SECONDARY DEFECTIVE SEAMLESS PIPES | 25.00 | 26,036 | 6,50,893 | PUC |
| 2010-11 | 20100915 | CHINA P RP | 73043119 | COLD DRAWN ST52 SEAMLESS PIPES | 25.00 | 50,420 | 12,60,494 | PUC |
| 2010-11 | 20100913 | CHINA P RP | 73049000 | COLD DRAWN CARBON SEAMLESS STEEL PIPE ASTM A106 GR.B/APL 5L GR.B 88.9MM X 7.62M | 25.00 | 47,827 | 11,95,678 | PUC |
| 2010-11 | 20100922 | CHINA P RP | 73049000 | C.S.SEAMLESS PIPES [168.3X4.5] | 25.00 | 46,597 | 11,64,915 | PUC |
| 2010-11 | 20100908 | CHINA P RP | 73041190 | CARBON STEEL SEAMLESS PIPES SIZE-114.3MMGRADE-SAE 1045 CDS | 25.00 | 39,773 | 9,94,328 | PUC |
| 2010-11 | 20100906 | CHINA P RP | 73049000 | CARBON STEEL SEAMLESS PIPES ASTM A 106-B (SIZE 254MM 32MM) | 25.00 | 32,210 | 8,05,239 | PUC |
| 2010-11 | 20100922 | CHINA P RP | 73043119 | CARBON STEEL SEAMLESS PIPES AS PER ASTM A106/API 5L GR.A | 25.00 | 31,609 | 7,90,233 | PUC |
| 2010-11 | 20100922 | CHINA P RP | 73043119 | CARBON STEEL SEAMLESS PIPES AS PER ASTM A106/API 5L GR.B | 25.00 | 31,572 | 7,89,311 | PUC |
| 2010-11 | 20100922 | CHINA P RP | 73043119 | CARBON STEEL SEAMLESS PIPES AS PER ASTM A106/API 5L GR.B | 25.00 | 31,531 | 7,88,267 | PUC |
| 2010-11 | 20100930 | CHINA P RP | 73045910 | SEAMLESS STEEL TUBES SA210 GR.A1 50.8 OD X 4.06 WT X 7500 LG MM | 24.78 | 58,247 | 14,43,318 | PUC |
| 2010-11 | 20100930 | SWITZERLAND | 73049000 | SEMI PROFILE KBK II (LAUFBAHNHALFTE KBK II)-(3097.00 MTR) | 24.46 | 67,822 | 16,59,002 | PUC |
| 2010-11 | 20100928 | JAPAN | 73049000 | SEAMLESS ALLOY STEEL TUBES JIS G3441 SCM415TK 32.80MM X 24.60MM X 5M | 24.44 | 1,41,052 | 34,47,181 | PUC |
| 2010-11 | 20100913 | NETHERLAND | 73049000 | COLD DRAWN MS RECTANGULAR TUBE AS PER EN 10219, S355 JO/ S355 J2H 150 X 100 X 1 | 24.42 | 80,729 | 19,71,246 | PUC |
| 2010-11 | 20100918 | SAUDI ARAB | 73049000 | SECONDARY SECOND CARBON STEEL SEAMLESS / WELDED PIPES MIXED THICKNESS MIXED LO | 24.00 | 18,058 | 4,33,390 | PUC |
| 2010-11 | 20100827 | CHINA P RP | 73049000 | HFS (HOT-FINISHED SEAMLESS) TUBES 127X105X5150MM | 24.00 | 56,807 | 13,63,364 | PUC |
| 2010-11 | 20100903 | CHINA P RP | 73049000 | CARBON STEEL SEAMLESS PIPES API 5LB/ASTM A106B/A53B | 24.00 | 30,464 | 7,31,145 | PUC |
| 2010-11 | 20100923 | CHINA P RP | 73041910 | SEAMLESS STEEL PIPES - ASTM A106 GRB3 88.9 OD(MM) - SCH40 5.49 THK (MM) LENGTH | 24.00 | 21,014 | 5,04,328 | PUC |
| 2010-11 | 20100914 | ITALY | 73041190 | SEAMLESS COLD DRAWN TUBES FOR HYDRAULIC CYLINDER ACCORDING 120,00X****X10,00MM | 23.82 | 1,01,339 | 24,13,999 | PUC |
| 2010-11 | 20100916 | JAPAN | 73045910 | HOT FINISHED SEAMLESS CARBON AND ALLOY STEEL PIPES A/SA 106B PLAIN ENDS 219.1X3 | 23.00 | 84,504 | 19,43,598 | PUC |
| 2010-11 | 20100903 | U S A | 73049000 | SEAMLESS STEEL TUBE BKS SIZE-60.3MMX5.5MMX5500MM | 23.00 | 47,995 | 11,03,874 | PUC |
| 2010-11 | 20100917 | GERMANY | 73049000 | DEFECTIVE / SECONDARY M.S.PIPES | 23.00 | 29,008 | 6,67,192 | PUC |
| 2010-11 | 20100917 | GERMANY | 73049000 | DEFECTIVE / SECONDARY M.S.PIPES | 22.00 | 29,737 | 6,54,212 | PUC |
| 2010-11 | 20100928 | CHINA P RP | 73043119 | SPHERODIZED ANNEALED SAE 52100 SEAMLESS COLD DRAWN TUBES OD.WALL THICKNESS 30 | 22.00 | 68,462 | 15,06,170 | PUC |
| 2010-11 | 20100908 | CHINA P RP | 73043911 | SEAMLESS CARBON STEEL PIPES ASTM A106 GRB 168 MM X 8.7 MM | 22.00 | 40,596 | 8,93,114 | PUC |
| 2010-11 | 20100921 | CHINA P RP | 73049000 | SEAMLESS CARBON STEEL TUBES ASTM A179 | 22.00 | 40,063 | 8,81,392 | PUC |
| 2010-11 | 20100901 | CHINA P RP | 73049000 | CARBON STEEL SEAMLESS PIPES ASTM A106 GR.B 152 4 MM X 10 MM | 22.00 | 40,007 | 8,80,153 | PUC |
| 2010-11 | 20100827 | CHINA P RP | 73043139 | SEAMLESS CARBON STEEL TUBES20.00MMO.DXX10.4MMIDX5000-5800MM | 21.43 | 52,085 | 11,16,285 | PUC |
| 2010-11 | 20100913 | CHINA P RP | 73045110 | BEARING QUALITY STEEL TUBE SAE52100 30.5*3.2 | 21.37 | 72,056 | 15,40,130 | PUC |
| 2010-11 | 20100927 | CHINA P RP | 73043119 | SPHERODIZED ANNEALED SAE 52100 SEAMLESS COLD DRAWN TUBES OD.WALL THICKNESS 30 | 21.00 | 69,038 | 14,49,789 | PUC |
| 2010-11 | 20100922 | CHINA P RP | 73043119 | CARBON STEEL SEAMLESS PIPES SAE 1040 | 21.00 | 30,762 | 6,46,007 | PUC |
| 2010-11 | 20100924 | CHINA P RP | 73045920 | HOT FINISHED CARBON STEEL SEAMLESS MOTHER PIPES [219.01MM X 20.62MM X 10.05M | 20.00 | 57,495 | 11,49,905 | PUC |
| 2010-11 | 20100914 | CHINA P RP | 73043119 | SEAMLESS CARBON STEEL TUBE - 48X 5.08 X 6750 MM | 20.00 | 49,690 | 9,93,790 | PUC |
| 2010-11 | 20100917 | CHINA P RP | 73049000 | SEAMLESS CARBON STEEL PIPE ASTM A106 GR.B 133MM (MTC NO.107027 T.19.07.2010) | 20.00 | 37,611 | 7,52,220 | PUC |

**Import Data from DGCIS [All Countries PUC]
Apr 2009 to Jun 2012**

| Year | Date | Country | ITC-HS | Item-Des | Quantity (MT) | Price (Rs./MT) | Value (Rs) | PUC/ NPUC |
|---------|----------|------------|----------|---|---------------|----------------|------------|--------------|
| 2010-11 | 20100921 | CHINA P RP | 73049000 | CARBON STEEL SEAMLESS PIPES | 20.00 | 26,091 | 5,21,829 | PUC |
| 2010-11 | 20100922 | CHINA P RP | 73043139 | GRADE CK-20 BK + S DIN 2391 STEEL CDS HONED TUBE (OF BAO STEEL ORIGIN) (140 X 1 | 19.81 | 77,963 | 15,44,048 | PUC |
| 2010-11 | 20100902 | GERMANY | 73049000 | SEAMLESS TUBE RIFLED PROFILE, MATERIAL :SA210GRA1 (SIZE:57,15 X 6,35 MW) (LGTH | 19.75 | 1,03,197 | 20,38,235 | PUC |
| 2010-11 | 20100914 | CHINA P RP | 73043919 | CARBON STEEL SEAMLESS TUBES TO DIN 2391 ST52 SIZE : OD 63MM X ID 50MM X LENGTH | 19.23 | 58,590 | 11,26,394 | PUC |
| 2010-11 | 20100908 | SINGAPORE | 73049000 | CARBON STEEL SEAMLESS PIPES STOCK LOT | 19.00 | 24,026 | 4,56,502 | PUC |
| 2010-11 | 20100928 | CHINA P RP | 73049000 | ALOY STEEL SEAMLESS TUBE 23.6X13 20CR | 19.00 | 68,981 | 13,10,637 | PUC |
| 2010-11 | 20100923 | CHINA P RP | 73049000 | CARBON STEEL SEAMLESS PIPES ASTM A106 GR B/API 5L GR. B | 19.00 | 30,856 | 5,86,271 | PUC |
| 2010-11 | 20100907 | CHINA P RP | 73045110 | STEEL TUBE DIA 4.76 X 0.60 MM WITH COPPER COATED | 18.47 | 61,771 | 11,41,088 | PUC |
| 2010-11 | 20100915 | CHINA P RP | 73049000 | HONED TUBE 126X108 | 18.00 | 87,956 | 15,83,215 | PUC |
| 2010-11 | 20100908 | CHINA P RP | 73042390 | HEAVY WEIGHT DRILL PIPES 65/8 OD WITH STEELTHREAD END PROTECTOR | 17.14 | 4,62,815 | 79,33,464 | PUC |
| 2010-11 | 20100909 | KOREA RP | 73043119 | 1 -UPTO 5*4.00N ZN PIPE | 16.48 | 82,398 | 13,57,500 | PUC |
| 2010-11 | 20100913 | KOREA RP | 73043119 | 1 -UPTO 7*4.76N ZN PIPE | 16.45 | 76,350 | 12,55,964 | PUC |
| 2010-11 | 20100903 | JAPAN | 73044900 | HOT FINISH SEAMLESS STEEL TUBE (SIZE : OD101.60MM X 7.30MM X 9000MM) (COMPOSITI | 16.00 | 1,28,048 | 20,48,770 | PUC |
| 2010-11 | 20100918 | CHINA P RP | 73049000 | SEAMLESS PIPE API 5L GR.B 273.0 MM X15.09MM (A106) | 16.00 | 41,786 | 6,68,578 | PUC |
| 2010-11 | 20100922 | U S A | 73069090 | A519 COLD DRAWN SEAMLESS TUBING (234.9 OD X 196. 24 ID) | 15.42 | 1,62,561 | 25,06,673 | PUC |
| 2010-11 | 20100901 | CHINA P RP | 73049000 | COLD DRAWN SEAMLESS TUBE ITEM NO. RGPS020 17.4(+/-0.05) X 12.0(+/-0.1)MM GRADE | 15.38 | 2,64,083 | 40,61,598 | PUC |
| 2010-11 | 20100908 | CHINA P RP | 73043119 | STEEL HONED TUBES (OD 105 X ID 69.85 MM) NET.WT. 2982 KGS | 14.96 | 40,027 | 5,98,834 | PUC |
| 2010-11 | 20100916 | JAPAN | 73049000 | COLD DRAWN SEAMLESS TUBE ITEM NO.PGPS006 14.15(0.08/-0) X 10.5(+/-0.1)MM GRADE | 14.90 | 2,63,554 | 39,26,166 | PUC |
| 2010-11 | 20100904 | CHINA P RP | 73069090 | SEAMLESS STEEL TUBES 6304OR (BEARING QUALITY) | 14.29 | 4,57,872 | 65,42,531 | PUC |
| 2010-11 | 20100920 | CHINA P RP | 73049000 | 30.00MM X 6.8MM (SEAMLESS STEEL TUBES,BK,5-5.8METER (O.D X W.T)-ST-52 TENSILE: | 14.00 | 84,670 | 11,85,373 | PUC |
| 2010-11 | 20100924 | CHINA P RP | 73045920 | HOT FINISHED CARBON STEEL SEAMLESS MOTHER PIPES [127MM X 9.52MM X 7.07M X 50 | 14.00 | 62,701 | 8,77,818 | PUC |
| 2010-11 | 20100904 | CHINA P RP | 73045110 | COLD DRAWN SEAMLESS CARBON STEEL TUBES ASTM A 519 GRADE SAE1541SR (SIZE: 44.50 | 14.00 | 56,713 | 7,93,977 | PUC |
| 2010-11 | 20100830 | CHINA P RP | 73043929 | SEAMLESS TUBES SIZE 90X80 73X63 115X90 83X70 & 140X125 | 14.00 | 50,157 | 7,02,195 | PUC |
| 2010-11 | 20100921 | CHINA P RP | 73043939 | SEAMLESS PIPES 114.3X17.1X4000-5800MM | 14.00 | 48,465 | 6,78,514 | PUC |
| 2010-11 | 20100901 | CHINA P RP | 73049000 | COLD DRAWN SEAMLESS TUBE ITME NO RGPS021 18.4(+/-0.05)X 11 0(+/-0.1) MM GRADE S | 13.89 | 2,51,639 | 34,94,257 | PUC |
| 2010-11 | 20100920 | CHINA P RP | 73043119 | SKIVED AND BURNISHED TUBES(ID-70MM X OD-83MM) | 13.43 | 93,058 | 12,50,000 | PUC |
| 2010-11 | 20100903 | JAPAN | 73049000 | HOT FINISH SEAMLESS CARBON STEEL TUBE (SIZE : OD50.80MM X 3.50MM X 6000MM) (COM | 13.00 | 83,320 | 10,83,166 | PUC |
| 2010-11 | 20100924 | CHINA P RP | 73049000 | CARBON STEEL SEAMLESS MOTER PIPES [HOT FINISHED] - 168MM X 19.05MM X 10.1M X 1 | 13.00 | 61,361 | 7,97,689 | PUC |
| 2010-11 | 20100908 | CHINA P RP | 73043129 | STEEL HONED TUBES (OD 116 X ID 100 MM) NET.WT. 5742 KGS | 12.49 | 87,914 | 10,98,096 | PUC |
| 2010-11 | 20100908 | U S A | 73049000 | SECONDARY DEFECTIVE NON ALLOY STEEL BRIGHT ROUND HEXAGONAL BARS | 12.00 | 29,954 | 3,59,442 | PUC |
| 2010-11 | 20100908 | U S A | 73049000 | SECONDARY DEFECTIVE NON ALLOY STEEL BRIGHT ROUND HEXAGONAL BARS | 12.00 | 27,713 | 3,32,560 | PUC |
| 2010-11 | 20100924 | ARGENTINA | 73049000 | CARBON STEEL SEAMLESS PIPES O.D.273.10MM WALL THICKNESS 25.40MM TOTAL MTRS 22.4 | 11.23 | 1,65,669 | 18,59,633 | PUC |
| 2010-11 | 20100927 | CHINA P RP | 73049000 | CARBON STEEL SEAMLESS PIPES STOCK LOT | 11.00 | 27,759 | 3,05,353 | PUC |
| 2010-11 | 20100904 | CHINA P RP | 73043119 | SEAMLESS PIPES GRADE SAE52100/GCR15 SIZE 29.00 X X22.00 X 3.50 | 10.97 | 61,543 | 6,74,877 | PUC |
| 2010-11 | 20100929 | ITALY | 73043119 | COLD DRAWN SEAMLESS TUBE FOR HYD CYLINDER (91X8.00)MM | 10.55 | 68,384 | 7,21,399 | PUC |
| 2010-11 | 20100927 | CHINA P RP | 73043139 | HONED TUBE (GRADE ST- 52 BK + SCDS) 210 X 180 | 10.22 | 77,669 | 7,93,928 | PUC |
| 2010-11 | 20100913 | KOREA RP | 73041110 | SEAMLESS TUBE 1/4 O.DXO,035 THK,ROLL | 10.00 | 2,04,796 | 20,47,960 | PUC |
| 2010-11 | 20100903 | JAPAN | 73044900 | HOT FINISH SEAMLESS STEEL TUBES (SIZE : OD50.80MM X 3.50MM X 6000MM) (COMPOSITI | 10.00 | 1,44,472 | 14,44,716 | PUC |
| 2010-11 | 20100907 | SINGAPORE | 73041910 | SEC/DEF STEEL PIPES | 10.00 | 24,683 | 2,46,834 | PUC |
| 2010-11 | 20100916 | CHINA P RP | 73049000 | COLD DRAWN SEAMLESS HONED STEEL TUBES 160 MM X OD: 180 MM X5000 MM | 9.65 | 1,25,002 | 12,05,763 | PUC |
| 2010-11 | 20100929 | CHINA P RP | 73043129 | COLD DRAWN SEAMLESS STEEL TUBES 245 MM X 200 MM | 9.51 | 82,131 | 7,81,049 | PUC |

**Import Data from DGCIS [All Countries PUC]
Apr 2009 to Jun 2012**

| Year | Date | Country | ITC-HS | Item-Des | Quantity (MT) | Price (Rs./MT) | Value (Rs) | PUC/ NPUC |
|---------|----------|----------------|----------|--|---------------|----------------|------------|--------------|
| 2010-11 | 20100917 | CHINA P RP | 73049000 | C.S. SEAMLESS STEEL PIPE FITTINGS ELBLOW REDUCER | 9.24 | 70,139 | 6,48,364 | PUC |
| 2010-11 | 20100925 | CHINA P RP | 73049000 | HONED OR SKIVED ROLLER TUBE (LD X O.D.)-80 X 95MM-CHEM.COMP.-%-C-0.19,SI-0.24,MN | 8.45 | 75,380 | 6,36,661 | PUC |
| 2010-11 | 20100921 | ITALY | 73043929 | COLD DRAWN SEAMLESS TUBE FOR HYD CYLINDER [137X6.00] MM | 8.30 | 81,427 | 6,75,776 | PUC |
| 2010-11 | 20100902 | CZECH REPUBLIC | 98010013 | SEAMLESS CARBON STEEL PIPES TO SPEC SA 106 537/20/2010/GR6 CIF RS 1230996 | 8.00 | 1,53,875 | 12,30,996 | PUC |
| 2010-11 | 20100903 | JAPAN | 73049000 | COLD DRAWN SEAMLESS STEEL TUBES (SIZE : OD101.60MM X 7.30MM X 7000MM) (COMPOSIT | 8.00 | 1,33,400 | 10,67,198 | PUC |
| 2010-11 | 20100927 | GERMANY | 73043119 | SEAMLESS CARBON STEEL BOILER -RIFLE TUBES 63.50X7.49X6.420MM(120 PCS) - 9080 KG | 7.97 | 1,38,314 | 11,02,234 | PUC |
| 2010-11 | 20100922 | CHINA P RP | 73045910 | CARBON STEEL TUBES SA210 GR.A1 50.8 OD X 4.06 WT X 9000 LG MM | 7.82 | 70,377 | 5,50,217 | PUC |
| 2010-11 | 20100830 | CHINA P RP | 73043929 | SEAMLESS STEEL TUBE GRADE SAE 1020 (180X150 MM) NT.WT.3.662 MTS | 7.69 | 33,051 | 2,54,274 | PUC |
| 2010-11 | 20100914 | SWEDEN | 73044100 | COLD DRAWN SEAMLESS STEEL TUBES - VCE062 - 80 X 60,00H8 (P.O. & DEC # 490008480 | 7.24 | 1,51,902 | 10,99,120 | PUC |
| 2010-11 | 20100924 | CHINA P RP | 73049000 | HOT FINISHED CARBON STEEL SEAMLESS MOTHER PIPES [114.3MM X 13.49MM X 8.38M X 30 | 7.00 | 67,531 | 4,72,716 | PUC |
| 2010-11 | 20100924 | CHINA P RP | 73045920 | HOT FINISHED CARBON STEEL SEAMLESS MOTHER PIPES [159MM X 18MM X 8.55M X 10] | 7.00 | 64,751 | 4,53,255 | PUC |
| 2010-11 | 20100923 | CHINA P RP | 73043119 | COLD DRAWN ST52 SEAMLESS PIPES | 7.00 | 61,828 | 4,32,799 | PUC |
| 2010-11 | 20100901 | CHINA P RP | 73049000 | CARBON STEEL SEAMLESS PIPE | 7.00 | 29,795 | 2,08,562 | PUC |
| 2010-11 | 20100909 | GERMANY | 73041190 | SEAMLESS STEEL PIPES DIN2448, IN LENGTH APPROX 6 MTR, DIN EN10204-3.1, 193,7X11 | 6.84 | 77,734 | 5,31,851 | PUC |
| 2010-11 | 20100909 | SWEDEN | 73044100 | CDS SRB-H8 ST52BK+S PIPE 190X160X3120L (P.O. & DEC # 4200049961 & DEC-689) | 6.41 | 1,09,190 | 7,00,030 | PUC |
| 2010-11 | 20100927 | CHINA P RP | 73049000 | COLD DRAWN SEAMLESS STEEL TUBE ITEM NO O.D.19.40MMXID.11.50MM GRADE SCR-420H(J | 6.05 | 2,97,499 | 17,99,273 | PUC |
| 2010-11 | 20100924 | CHINA P RP | 73049000 | HOT FINISHED CARBON STEEL SEAMLESS MOTHER PIPES [114.3MM X 13.49MM X 8.38M X 3 | 6.00 | 61,422 | 3,68,530 | PUC |
| 2010-11 | 20100904 | CHINA P RP | 73043919 | CARBON STEEL SEAMLESS TUBES DIN-1629/84ST30AL (SIZE 30 MM OD X 3.5 MM THK X 500 | 6.00 | 57,664 | 3,45,983 | PUC |
| 2010-11 | 20100910 | CHINA P RP | 73069090 | CUT BLANK RINGS - 6002 OR CUT BLANKS OD32.55MM X ID26.15MM (TUBES MADE FORM S | 5.97 | 1,18,630 | 7,08,575 | PUC |
| 2010-11 | 20100907 | ITALY | 73043129 | COLD ROLLED SEAMLESS STEEL TUBES-CHEMICAL COM.-:C-0.140,SI-0.340,MN-1.36,P-0.00 | 5.85 | 1,14,784 | 6,70,914 | PUC |
| 2010-11 | 20100928 | CHINA P RP | 73042990 | HONED TUBE OD115XID100 (NET WT: 517.00 KGS PER USD 1.694) | 5.37 | 78,297 | 4,20,481 | PUC |
| 2010-11 | 20100921 | NETHERLAND | 73043129 | COLD DRAWN SEAMLESS STEEL CYLINDER TUBES, READY TO HONE, E355 + SR, RL (O.D. 19 | 5.25 | 1,35,802 | 7,12,551 | PUC |
| 2010-11 | 20100908 | CANADA | 73049000 | SECONDARY CABRON STEEL SEAMLESS PIPES | 5.00 | 23,086 | 1,15,428 | PUC |
| 2010-11 | 20100903 | CHINA P RP | 73049000 | FIFTINGS WITH BEVELED ENDS : CAP 168.3X7.11MM | 5.00 | 83,677 | 4,18,384 | PUC |
| 2010-11 | 20100921 | ITALY | 73043119 | COLD DRAWN SEAMLESS TUBE FOR HYD CYLINDER [113X6.50] MM | 4.99 | 80,138 | 3,99,626 | PUC |
| 2010-11 | 20100923 | ITALY | 73041190 | SEAMLESS COLD DRAWN TUBES FOR HYDRAULIC CYLINDER ACCORDING 170.00X****X15.00MM | 4.76 | 1,08,308 | 5,15,437 | PUC |
| 2010-11 | 20100921 | ITALY | 73041990 | 114.30MM X 13.50MM API 5L X 52 HOT FINISHED S/LESS 4 SCH 160 (CARBON STEEL PIP | 4.63 | 1,56,395 | 7,23,484 | PUC |
| 2010-11 | 20100915 | CHINA P RP | 73041990 | HONED TUBE 95X80 (H8-H9)X4000-6000 | 4.14 | 80,416 | 3,33,290 | PUC |
| 2010-11 | 20100920 | JAPAN | 73041110 | CARBON STEEL TUBES FOR MACHINE FOR STRUCTURAL PURPOSE - STKM13A (190.7X6.0X1470 | 4.02 | 3,48,937 | 14,02,336 | PUC |
| 2010-11 | 20100929 | CHINA P RP | 73042990 | SEAMLESS STEEL BOOM BRACING TUBE- 50.8 X 4 X 8.7M | 4.00 | 1,85,164 | 7,40,656 | PUC |
| 2010-11 | 20100917 | CHINA P RP | 73049000 | CARBON STEEL SEAMLESS PIPE A106 GR.B | 4.00 | 55,708 | 2,22,831 | PUC |
| 2010-11 | 20100929 | ITALY | 73043929 | COLD DRAWN SEAMLESS TUBE FOR HYD CYLINDER (151X8.00)MM | 3.70 | 85,782 | 3,17,149 | PUC |
| 2010-11 | 20100921 | NETHERLAND | 73043119 | COLD DRAWN SEAMLESS STEEL CYLINDER TUBES, READY TO HONE, E355 + SR, RL (O.D. 10 | 3.67 | 1,26,550 | 4,64,817 | PUC |
| 2010-11 | 20100913 | KOREA RP | 73041110 | SEAMLESS TUBE 1/4 O.DXO,049 THK,1PC 6ME | 3.30 | 2,04,722 | 6,75,581 | PUC |
| 2010-11 | 20100917 | ITALY | 73043119 | SEAMLESS TUBES (HOT ROLLED SEAMLESS CYLINDER TUBES ST52.3/E355K2EN10297 MM 298. | 3.17 | 1,20,822 | 3,83,007 | PUC |
| 2010-11 | 20100916 | CHINA P RP | 73043119 | COLD DRAWN ST52 SEAMLESS PIPES | 3.00 | 80,691 | 2,42,073 | PUC |
| 2010-11 | 20100904 | CHINA P RP | 73049000 | CARBON STEEL SEAMLESS MOTHER PIPE (HOT FINISHED) 20.4X3.55X3000-6000 AS PER INV | 2.99 | 1,13,855 | 3,40,567 | PUC |
| 2010-11 | 20100904 | CHINA P RP | 73049000 | PRIME CARBON STEEL SEAMLESS PIPES GRADE : ASTM A 106 GR.B / API5L GR.B | 2.63 | 33,077 | 86,826 | PUC |
| 2010-11 | 20100918 | JAPAN | 73049000 | SEAMLESS PIPES AS PER A106 GR. B (SIZE 3/4 , SCH XXS) | 2.50 | 1,16,020 | 2,90,051 | PUC |
| 2010-11 | 20100923 | JAPAN | 73043911 | CS NACE SEAMLESS PIPES (150MM (6) SCH 160 CS SMLS PIPE ASTM A106 GR. B MULTI S | 2.40 | 3,08,061 | 7,39,346 | PUC |
| 2010-11 | 20100923 | JAPAN | 73043911 | CS NACE SEAMLESS PIPES (80MM (3) SCH XXS CS SMLS PIPE ASTM A106 GR.B MULTI SPE | 2.10 | 3,14,221 | 6,59,864 | PUC |

Import Data from DGCIS [All Countries PUC]

Apr 2009 to Jun 2012

| Year | Date | Country | ITC-HS | Item-Des | Quantity (MT) | Price (Rs./MT) | Value (Rs) | PUC/ NPUC |
|---------|----------|-------------|----------|---|---------------|----------------|--------------|--------------|
| 2010-11 | 20100916 | CHINA P RP | 73043119 | COLD DRAWN ST52 SEAMLESS PIPES | 2.00 | 94,262 | 1,88,524 | PUC |
| 2010-11 | 20100913 | GERMANY | 73043939 | SEAMLESS PIPES ASTM/ASME A/SA 106 GRADE C, SIZE: 273.0 X 50.80 APPROX. 5.48 M (| 1.53 | 1,54,530 | 2,35,968 | PUC |
| 2010-11 | 20100927 | ARGENTINA | 73041990 | 114.3 X 7.5 SEAMLESS PIPE SML 415 IDS | 1.24 | 1,25,468 | 1,56,198 | PUC |
| 2010-11 | 20100922 | ARGENTINA | 73043119 | 6.625 X .280 PIPE SA 333-6 SRL | 1.00 | 1,03,909 | 1,03,909 | PUC |
| 2010-11 | 20100915 | CHINA P RP | 73041990 | CARBON SEMALESS STEEL PIPE SIZE 4, THK XS, OD 114.3, WT 8.56 LENGTH 6-11.8 APL | 1.00 | 80,997 | 80,997 | PUC |
| 2010-11 | 20100920 | KOREA RP | 73041110 | ASTM A179 SEAMLESS U-TUBES 15.88.OD*1.65MIN.T*2135MM.LEG | 0.20 | 1,02,355 | 20,471 | PUC |
| 2010-11 | 20100906 | CHINA P RP | 73049000 | PRIME CARBON STEEL SEAMLESS PIPES TO ASTM A 106 GR. B | 0.20 | 90,230 | 18,046 | PUC |
| 2010-11 | 20100922 | CHINA P RP | 73049000 | CARBON STEEL SEAMLESS PIPES ASTM A 106 GR.B/API 5L GR.B | 0.11 | 38,418 | 4,226 | PUC |
| 2010-11 | 20100921 | U S A | 73049000 | CARBON STEEL PIPES (SECONDARY DEFECTIVE) NON ALLOY. | 0.06 | 1,08,927 | 5,991 | PUC |
| 2010-11 | 20100928 | MALAYSIA | 73049000 | CARBON STEEL SECONDARY DEFECTIVE SEAMLESS PIPES | 0.05 | 80,240 | 4,012 | PUC |
| 2010-11 | 20100915 | CHINA P RP | 73049000 | CARBON SEAMLESS STEEL PIPES AS PER ASTM A106/API5L GR B/ASTM A53GR.B | 0.05 | 95,860 | 4,793 | PUC |
| 2010-11 | 20100924 | CHINA P RP | 73049000 | CARBON STEEL SEAMLESS PIPES ASTM A 106 GR.B. | 0.05 | 80,240 | 4,012 | PUC |
| 2010-11 | 20100921 | MALAYSIA | 73049000 | CARBON STEEL SECONDARY DEFECTIVE SEAMLESS PIPES | 0.04 | 1,05,550 | 4,222 | PUC |
| 2010-11 | 20100902 | MALAYSIA | 73049000 | SECONDARY DEFECTIVE CARBON STEEL SEAMLESS PIPES | 0.04 | 1,05,550 | 4,222 | PUC |
| 2010-11 | 20100906 | U S A | 73049000 | SECONDARY DEFECTIVE CARBON STEEL SEAMLESS PIPE | 0.04 | 1,01,875 | 4,075 | PUC |
| 2010-11 | 20100902 | CHINA P RP | 73049000 | SECONDARY DEFECTIVE CARBON STEEL SEAMLESS PIPES | 0.04 | 97,450 | 3,898 | PUC |
| 2010-11 | 20100918 | GERMANY | 73049000 | CARBON STEEL SECONDARY DEFECTIVE SEAMLESS PIPE | 0.04 | 1,10,486 | 3,867 | PUC |
| 2010-11 | 20100928 | GERMANY | 73049000 | CARBON STEEL SECOND CHOICE SEAMLESS PIPES | 0.03 | 1,02,600 | 3,078 | PUC |
| 2010-11 | 20100927 | MALAYSIA | 73049000 | CARBON STEEL SECONDARY DEFECTIVE SEAMLESS PIPES | 0.02 | 1,24,200 | 2,484 | PUC |
| 2010-11 | 20100908 | JAPAN | 73049000 | SECONDARY DEFECTIVE M.S.PIPES OF MIX SIZES | 0.02 | 1,01,550 | 2,031 | PUC |
| 2010-11 | 20100910 | U ARAB EMTS | 73049000 | CARBON STEEL PIPES STOCK LOT | 0.02 | 75,250 | 1,505 | PUC |
| 2010-11 | 20100928 | MALAYSIA | 73049000 | CARBON STEEL SECONDARY DEFECTIVE SEAMLESS PIPES | 0.01 | 1,25,400 | 1,254 | PUC |
| 2010-11 | 20100908 | SINGAPORE | 73049000 | CARBON STEEL SEAMLESS PIPES STOCK LOT | 0.01 | 1,19,500 | 1,195 | PUC |
| 2010-11 | 20100921 | CHINA P RP | 73049000 | CARBON STEEL SEAMLESS PIPES | 0.01 | 52,000 | 520 | PUC |
| 2010-11 | 20100904 | FRANCE | 73049000 | SECONDARY CARBON STEEL SEAMLESS PIPES (MIXED SIZES) | 0.01 | 1,46,200 | 731 | PUC |
| 2010-11 | 20100907 | CHINA P RP | 73049000 | CARBON STEEL SEAMLESS PIPES CONFIRMING TO ASTM A 106 GRADEB | 0.01 | 1,20,200 | 601 | PUC |
| 2010-11 | 20100901 | CHINA P RP | 73049000 | CARBON STEEL SEAMLESS PIPE CONFIRMING TO ASTM A519 | 0.004 | 35,250 | 141 | PUC |
| 2010-11 | 20101028 | CHINA P RP | 98010013 | SEAMLESS CARBON STEEL HOLLOWES | 2,103.00 | 48,333 | 10,16,43,684 | PUC |
| 2010-11 | 20101019 | SPAIN | 73043911 | CARBON STEEL TUBES (TO SPEC SA 210)38.1 X 5.3 MM 13800 MM | 1,683.00 | 67,823 | 11,41,45,387 | PUC |
| 2010-11 | 20101005 | CHINA P RP | 73043911 | HOT FINISHED SEAMLESS TUBES (GRADE 34CRMO4) SIZE: 267MM X 6MM MULTIPLE X LENGTH | 927.00 | 52,484 | 4,86,52,884 | PUC |
| 2010-11 | 20101015 | JAPAN | 73043911 | TUBES-ALLOY AND CARBON STEEL SEAMLESS TUBES (CARBON STEEL SEAMLESS TUBES-SA210) | 726.12 | 69,632 | 5,05,61,117 | PUC |
| 2010-11 | 20101021 | CHINA P RP | 73043119 | HFS CARBON STEEL TUBES CONF. TO SPECN. SA 210 GRADE A1 (SIZE: 38.1 X 4 X 10000M | 683.87 | 51,385 | 3,51,40,526 | PUC |
| 2010-11 | 20101015 | CHINA P RP | 73049000 | SEAMLESS CARBON STEEL PIPES AS PER ASTM A106 GRADE-B (VARIOUS SIZE AS PER INV | 651.00 | 31,854 | 2,07,37,044 | PUC |
| 2010-11 | 20101028 | CHINA P RP | 98010013 | SEAMLESS HOLLOWES (C/S) (S37/28/2010) TOPSPEC SA210-CIF | 527.00 | 47,295 | 2,49,24,264 | PUC |
| 2010-11 | 20101004 | CHINA P RP | 73045910 | BOILER QUALITY COLD DRAWN SEAMLESS CARBON AND ALLOY STEEL TUBES DIAMETER 44.5M | 500.00 | 61,309 | 3,06,54,718 | PUC |
| 2010-11 | 20101011 | CHINA P RP | 73045930 | SEAMLESS CARBON STEEL PIPES 8 * SCH160*6-9M SA106 GR. B | 444.44 | 9,702 | 43,12,074 | PUC |
| 2010-11 | 20101007 | CHINA P RP | 73043119 | CARBON STEEL TUBES CONFORMING TO SPECN SA 210 GRADE A1 SIZE(MM): 63.1 X 4 X 112 | 442.00 | 51,940 | 2,29,57,518 | PUC |
| 2010-11 | 20101026 | CHINA P RP | 98010013 | 98010013 SEAMLESS PIPES(C/S)(S37/24/2010)TO SPEC.SA106-C | 430.00 | 86,615 | 3,72,44,376 | PUC |
| 2010-11 | 20101025 | CHINA P RP | 73049000 | CARBON STEEL SEAMLESS PIPES AS PER ASTM A106 GR.B/API 5L GR.B | 377.00 | 31,993 | 1,20,61,189 | PUC |
| 2010-11 | 20101027 | CHINA P RP | 73049000 | CARBON STEEL SEAMLESS PIPE ASTM A 106 GR.B | 354.00 | 38,780 | 1,37,28,183 | PUC |
| 2010-11 | 20101002 | CHINA P RP | 73049000 | CARBON STEEL SEAMLESS PIPES AS PER ASTM A106 GR.B/API 5L GR.B/A53 | 326.00 | 31,924 | 1,04,07,069 | PUC |

**Import Data from DGCIS [All Countries PUC]
Apr 2009 to Jun 2012**

| Year | Date | Country | ITC-HS | Item-Des | Quantity (MT) | Price (Rs./MT) | Value (Rs) | PUC/ NPUC |
|---------|----------|-------------|----------|---|---------------|----------------|-------------|--------------|
| 2010-11 | 20101012 | CHINA P RP | 73049000 | CARBON STEEL SEAMLESS PIPE, ASTM A106 GR.B | 319.00 | 38,851 | 1,23,93,568 | PUC |
| 2010-11 | 20101026 | CHINA P RP | 73043919 | CARBON STEEL SEAMLESS PIPES ASTM A 106 GR.B/API 5L GR.B/A53LENGTH 5000-5800 | 294.00 | 28,363 | 83,38,826 | PUC |
| 2010-11 | 20101030 | CHINA P RP | 73043119 | SEAMLESS TUBES.SA210 GR A1 OD.51.MM X6.35 X 10-11.8MTR(52 NOS - 530.50MTR X\$.7 | 291.00 | 42,765 | 1,24,44,625 | PUC |
| 2010-11 | 20101007 | CHINA P RP | 73043911 | SEAMLESS STEEL TUBES (GRADE 37 MN) SIZE: 232 X 5.6 X 10675MM | 275.95 | 40,812 | 1,12,62,071 | PUC |
| 2010-11 | 20101013 | CHINA P RP | 73049000 | CARBON SEAMLESS STEEL PIPE (ASTM A106 GR.B/API 5L GR.B) (2,3,4 NB X SCH 40 & 8 | 268.00 | 37,423 | 1,00,29,494 | PUC |
| 2010-11 | 20101020 | SPAIN | 98010013 | CARBON STEEL TUBES (TO SPEC SA 210) (SIZE:38.1 X5.3 MM X 13800 MM)(S37/28/2010/ | 265.00 | 67,609 | 1,79,16,438 | PUC |
| 2010-11 | 20101018 | CHINA P RP | 73043919 | CARBON STEEL SEAMLESS TUBES ASTM A 179/GB/T8163-2008)(SIZE 33.4MM ODX3.4MM THXK | 261.81 | 40,276 | 1,05,44,691 | PUC |
| 2010-11 | 20101013 | BELGIUM | 73049000 | SECONDARY CARBON SEAMLESS PIPE | 260.00 | 20,286 | 52,74,332 | PUC |
| 2010-11 | 20101027 | GERMANY | 73045910 | SEAMLESS ALLOY STEEL TUBES(SIZE : 38100,41300,42400X 8000,8200,8600 MM) | 256.00 | 1,17,348 | 3,00,41,056 | PUC |
| 2010-11 | 20101015 | CHINA P RP | 73043119 | SEAMLESS LINE PIPES HOT ROLLED API 5L GRB/ASME A 106 GR B BEVELED END AND VARNI | 256.00 | 37,372 | 95,67,113 | PUC |
| 2010-11 | 20101020 | CHINA P RP | 73041110 | CARBON STEEL SEAMLESS TUBES SA210 GR A1, OD38.1X4.0MMX11000MM LG | 255.00 | 47,748 | 1,21,75,838 | PUC |
| 2010-11 | 20101019 | CHINA P RP | 73049000 | CARBON STEEL SEAMLESS TUBES ASTM A 106 GR.B / API 5L GRADE BLENGTH 5 TO 6.5 MET | 240.00 | 40,005 | 96,01,177 | PUC |
| 2010-11 | 20101020 | CHINA P RP | 73049000 | CARBON STEEL SEAMLESS PIPES AS PER API 5L GRADE B / A106B | 238.00 | 29,093 | 69,24,086 | PUC |
| 2010-11 | 20101018 | CHINA P RP | 73049000 | CARBON STEEL SEAMLESS TUBES ASTM A 106 GR.B / API 5L GRADE BLENGTH 5 TO 6.5 MET | 233.00 | 38,807 | 90,42,069 | PUC |
| 2010-11 | 20101009 | CHINA P RP | 73069090 | TUBING 2-7/8 , 6.5 PPF, N80, EUE, R2 (EQUIPMENT FOR CBM PROJECT) | 228.89 | 43,941 | 1,00,57,578 | PUC |
| 2010-11 | 20101001 | CHINA P RP | 73041990 | SEAMLESS PIPE API 5L GR.B/ASTM A106 GR.B/ASTM A53 GR.B (SIZE 48.3 X 5.08 MM) | 213.00 | 52,061 | 1,10,89,040 | PUC |
| 2010-11 | 20101001 | CHINA P RP | 73049000 | CARBON STEEL SEAMLESS PIPES STOCK LOT | 213.00 | 25,764 | 54,87,732 | PUC |
| 2010-11 | 20101001 | CHINA P RP | 73049000 | CARBON STEEL SEAMLESS PIPE ASTM A 106 B/API 5L (273MMX9.27MMX 10-11.8M) | 212.00 | 43,180 | 91,54,238 | PUC |
| 2010-11 | 20100924 | CHINA P RP | 73043919 | CARBON STEEL SEAMLESS TUBES ASTM A-179 SIZE :OD 30MM XTHK 3MMX 10500-11800MM | 207.32 | 44,870 | 93,02,272 | PUC |
| 2010-11 | 20101014 | ITALY | 73043911 | COLD DRAWN SEAMLESS STEEL TUBE130,50 X 7,75 X 1,00 E355 | 207.30 | 76,876 | 1,59,36,503 | PUC |
| 2010-11 | 20101018 | CHINA P RP | 73049000 | HOT FINISHED SEAMLESS STEEL TUBE GRADE 34CRM04 | 207.00 | 58,531 | 1,21,15,850 | PUC |
| 2010-11 | 20101022 | CHINA P RP | 73049000 | HOT FINISHED SEAMLESS TUBE GRADE 34CRMO4 | 204.00 | 56,043 | 1,14,32,749 | PUC |
| 2010-11 | 20101026 | CHINA P RP | 73043119 | COLD DRAWN SEAMLESS CARBON STEEL TUBES GRADE : ST37.4 SIZE : 30X2.5X 10000-1200 | 198.00 | 45,802 | 90,68,837 | PUC |
| 2010-11 | 20101005 | CHINA P RP | 73043119 | HFS CARBON STEEL TUBES CONF. TO SPECN SA 210 GR. A1 SIZE:44.5 X 4.5 X 10000 MM | 194.00 | 53,206 | 1,03,21,922 | PUC |
| 2010-11 | 20101014 | ITALY | 73043911 | COLD DRAWN SEAMLESS STEEL TUBE131,00 X 8,00 X 1,00 E355 | 193.77 | 56,931 | 1,10,31,236 | PUC |
| 2010-11 | 20101025 | CHINA P RP | 73045130 | COLD DRAWN SEAMLESS ALLOY STEEL TUBES GRADE: ASME SA210 GR.A1 SIZE: 50.8 OD X 4 | 191.50 | 50,819 | 97,31,570 | PUC |
| 2010-11 | 20101007 | CHINA P RP | 73043911 | SEAMLESS STEEL TUBES (GRADE 37 MN) SIZE: 232 X 5.6 X 10675MM | 188.38 | 40,812 | 76,88,062 | PUC |
| 2010-11 | 20101004 | CHINA P RP | 73045920 | SEAMLESS STEEL PIPES FOR CYLINDERS (OD-139.7MM WT 4.5MM L-5480 MM) | 185.00 | 44,226 | 81,81,876 | PUC |
| 2010-11 | 20101027 | GERMANY | 98010013 | PROJECT SEAMLESS PIPES(C/S)(S37/26/2010)TO SPEC.SA106-C | 184.00 | 91,091 | 1,67,60,703 | PUC |
| 2010-11 | 20101028 | U ARAB EMTS | 73049000 | DEFECTIVE CS SEAMLESS PIPES (M.S) | 178.00 | 22,001 | 39,16,201 | PUC |
| 2010-11 | 20101006 | CHINA P RP | 73041110 | CARBON STEEL SEAMLESS TUBES SA210 GR A1 50.8 MM OD X 6.3MM X6400 MM LENGTH | 177.00 | 47,072 | 83,31,779 | PUC |
| 2010-11 | 20101015 | CHINA P RP | 73041190 | CS SEAMLESS TUBES (31.75*2.11*12400) | 173.08 | 58,642 | 1,01,50,047 | PUC |
| 2010-11 | 20101027 | CHINA P RP | 73045110 | CARBON STEEL SEAMLESS TUBE - SIZE : 63.50 X 4.06 X 6.7MM | 162.00 | 45,630 | 73,92,022 | PUC |
| 2010-11 | 20101022 | CHINA P RP | 73041990 | C S SEAMLESS STEEL PIPE ASTM A106 GR B SCH40 10 ,273 MM ODX 9.27 MM THICK/(53 | 162.00 | 40,593 | 65,76,096 | PUC |
| 2010-11 | 20101001 | CHINA P RP | 73049000 | CARBON STEEL SEAMLESS PIPE SECONDARY DEFECTIVE | 162.00 | 24,036 | 38,93,832 | PUC |
| 2010-11 | 20101019 | CHINA P RP | 73049000 | CARBON STEEL SEAMLESS PIPES ASTM A 106 GRADE B/API 5L | 161.00 | 28,791 | 46,35,308 | PUC |
| 2010-11 | 20101014 | CHINA P RP | 73049000 | COLD DRAWN SEAMLESS CARBON STEEL PIPESASTM A 106 GRADE B | 157.00 | 28,885 | 45,34,873 | PUC |
| 2010-11 | 20101018 | CHINA P RP | 73043119 | HFS CARBON STEEL TUBES CONF. TO SPECN SA 210 GRADE A1 (SIZE: 51 X 4.5 X 11200MM | 154.45 | 51,871 | 80,11,437 | PUC |
| 2010-11 | 20101012 | CHINA P RP | 73049000 | PRIME CARBON STEEL SEAMLESS PIPES TO ASTM A 106 GRADE B | 154.00 | 30,520 | 47,00,150 | PUC |
| 2010-11 | 20101004 | CHINA P RP | 73049000 | CARBON STEEL SEAMLESS PIPES AS PER ASTM A106 GR. B/API 5L GR.B/A53 GR B | 150.00 | 31,947 | 47,92,118 | PUC |
| 2010-11 | 20101019 | CHINA P RP | 73049000 | CARBON SEAMLESS STEEL PIPES (ASTM A 106 GR B / API 5L)(8 NB X SCH 120 X 5-5.8 | 145.00 | 39,133 | 56,74,310 | PUC |

**Import Data from DGCIS [All Countries PUC]
Apr 2009 to Jun 2012**

| Year | Date | Country | ITC-HS | Item-Des | Quantity (MT) | Price (Rs./MT) | Value (Rs) | PUC/ NPUC |
|---------|----------|------------|----------|---|---------------|----------------|-------------|--------------|
| 2010-11 | 20101021 | CHINA P RP | 73049000 | CARBON STEEL SEAMLESS PIPE AS PER ASTM A106/AP15L GR.B/ASTMA53 GR.B | 140.00 | 28,872 | 40,42,087 | PUC |
| 2010-11 | 20101001 | CHINA P RP | 73049000 | CARBON STEEL SEAMLESS PIPE SECONDARY DEFECTIVE | 137.00 | 24,062 | 32,96,472 | PUC |
| 2010-11 | 20101022 | OMAN | 73069090 | SECONDARY & DEFECTED PIPES PSINO.0045598 DT.28.09.2010. OF GEO CHEM DUBAI U.A.E | 135.00 | 20,725 | 27,97,837 | PUC |
| 2010-11 | 20101026 | CHINA P RP | 73049000 | CARBON SEAMLESS STEEL PIPES | 132.00 | 29,237 | 38,59,218 | PUC |
| 2010-11 | 20101001 | CHINA P RP | 73049000 | CARBON STEEL SEAMLESS PIPE SECONDARY DEFECTIVE | 132.00 | 23,894 | 31,54,061 | PUC |
| 2010-11 | 20101026 | SINGAPORE | 73041910 | SEC/DEF STEEL PIPES | 130.00 | 22,870 | 29,73,120 | PUC |
| 2010-11 | 20101009 | CHINA P RP | 73041910 | CARBON STEEL SEAMLESS PIPES,ASTM A106 GR.B, 273MM X 28.58MM.(92 PCS, 92 BDLS) | 130.00 | 47,074 | 61,19,584 | PUC |
| 2010-11 | 20101011 | CHINA P RP | 73049000 | CARBON STEEL SEAMLESS PIPE(ASTM A106 GR.B) | 130.00 | 28,293 | 36,78,046 | PUC |
| 2010-11 | 20101020 | SAUDI ARAB | 73049000 | SECONDARY SECOND CARBON STEEL SEAMLESS / WELDED PIPES MIXED THICKNESS MIXED LO | 128.00 | 16,386 | 20,97,421 | PUC |
| 2010-11 | 20101020 | SAUDI ARAB | 73049000 | SECONDARY SECOND CARBON STEEL SEAMLESS / WELDED PIPES MIXED THICKNESS MIXED LO | 127.00 | 16,468 | 20,91,446 | PUC |
| 2010-11 | 20101016 | SAUDI ARAB | 73049000 | SECONDARY SECOND CARBON STEEL SEAMLESS / WELDED PIPES MIXED THICKNESS MIXED LO | 127.00 | 16,447 | 20,88,827 | PUC |
| 2010-11 | 20101019 | CHINA P RP | 73049000 | CARBON STEEL SEAMLESS PIPES AS PER ASTM A 106 GR.B / API 5LGR.B SIZE 30 X 3 , L | 124.00 | 37,163 | 46,08,209 | PUC |
| 2010-11 | 20101022 | SAUDI ARAB | 73049000 | SECONDARY SECOND CARBON STEEL SEAMLESS / WELDED PIPES MIXED THICKNESS MIXED L | 123.00 | 16,398 | 20,16,962 | PUC |
| 2010-11 | 20101026 | CHINA P RP | 98010013 | 98010013 SEAMLESS PIPES(C/S)(S37/24/2010)TO SPEC.SA106-C | 122.00 | 1,61,237 | 1,96,70,962 | PUC |
| 2010-11 | 20101019 | SPAIN | 73043911 | CARBON STEEL TUBES (TO SPEC SA 210) | 119.00 | 98,654 | 1,17,39,838 | PUC |
| 2010-11 | 20101004 | CHINA P RP | 73042390 | SEAMLESS STEEL PIPE API 5L X 52, PSL1, OD-168.3MM, LENGTH 11.8 MTR, WT -9.5MM, | 118.43 | 70,945 | 84,01,687 | PUC |
| 2010-11 | 20101020 | CHINA P RP | 73045110 | BEARING QUALITY STEEL TUBE SAE-52100 (AU1101 OR) SIZE 69.8X7.4MM | 117.00 | 67,226 | 78,65,430 | PUC |
| 2010-11 | 20101018 | U S A | 73049000 | SECONDARY SECOND CHOICE CARBON STEEL SEAMLESS/WELDED PIPES | 116.00 | 21,817 | 25,30,720 | PUC |
| 2010-11 | 20101018 | CHINA P RP | 73041990 | CARBON STEEL SEAMLESS BLACK PIPE 16 X SCH80 X 5.00 - 5.80MTR | 116.00 | 40,196 | 46,62,789 | PUC |
| 2010-11 | 20101029 | GERMANY | 73045110 | SECONDARY AND DEFECTIVE SEAMLESS STEEL TUBES (ALLOY STEEL),GRADE: 100CR6 | 115.00 | 30,209 | 34,74,091 | PUC |
| 2010-11 | 20101015 | U S A | 73049000 | SECONDARY SECOND CHOICE CARBON STEEL SEAMLESS/WELDED PIPES | 115.00 | 20,689 | 23,79,241 | PUC |
| 2010-11 | 20101007 | CHINA P RP | 73043119 | CARBON STEEL TUBES CONFORMING TO SPECN SA 192 SIZE(MM): 51 X 4 X 6600 | 111.00 | 52,839 | 58,65,128 | PUC |
| 2010-11 | 20101012 | CHINA P RP | 73041110 | SEAMLESS STEEL PIPE ,ASTM A106GR B 122MMX8MM(8.053MTS)101.6MMX10MM(10.09MTS)82. | 110.78 | 32,588 | 36,10,184 | PUC |
| 2010-11 | 20101028 | CHINA P RP | 73043911 | SEAMLESS HOLLOW (CARBON STEEL) TO SPEC SA192 | 110.00 | 47,466 | 52,21,227 | PUC |
| 2010-11 | 20101018 | U S A | 73049000 | CARBON STEEL PIPES STOCK LOT | 108.00 | 21,819 | 23,56,468 | PUC |
| 2010-11 | 20101005 | GERMANY | 73049000 | M.S SEAMLESS PIPES SECOND DEFECTIVE MIX | 107.00 | 22,331 | 23,89,378 | PUC |
| 2010-11 | 20101027 | GERMANY | 73043931 | SEAMLESS CARBON STEEL TUBES(SIZE : 51000 X 11000 MM) | 106.00 | 63,625 | 67,44,302 | PUC |
| 2010-11 | 20101011 | CHINA P RP | 73049000 | HFS TUBE-50.0MM ODX34.0MM IDX4000-5000MM | 106.00 | 52,716 | 55,87,855 | PUC |
| 2010-11 | 20101019 | CHINA P RP | 73041190 | CARBON STEEL SEAMLESS PIPE(CDS) ASTM A-106 GR.B 114.3X6.02MMX5.5M (48PCS,3BDL) | 105.85 | 40,051 | 42,39,436 | PUC |
| 2010-11 | 20101025 | CHINA P RP | 73043119 | CARBON STEEL SEAMLESS PIPE ASTM A 106 GR.B/API 5L GR.B (4 XSCH40 X 5.8 MTR) | 105.85 | 37,830 | 40,04,216 | PUC |
| 2010-11 | 20101001 | FRANCE | 73049000 | SECONDARY CARBON STEEL SEAMLESS PIPES (MIXED SIZES) | 103.00 | 20,889 | 21,51,614 | PUC |
| 2010-11 | 20101001 | SAUDI ARAB | 73049000 | SECONDARY SECOND CARBON STEEL SEAMLESS / WELDED PIPES MIXED THICKNESS MIXED LO | 101.00 | 16,419 | 16,58,293 | PUC |
| 2010-11 | 20101005 | CHINA P RP | 73043119 | CARBON STEEL SEAMLESS PIPES (4X80X5800MM) | 98.00 | 31,619 | 30,98,684 | PUC |
| 2010-11 | 20101009 | CHINA P RP | 73045110 | ALLOY STEEL SEAMLESS TUBE - SIZE : 50.8 X 4.06 X 6096MM | 97.00 | 65,643 | 63,67,355 | PUC |
| 2010-11 | 20101029 | ITALY | 73043911 | COLD DRAWN SEAMLESS STEEL TUBE156,00 X 13,00 X 1,00 E355 | 96.81 | 48,582 | 47,03,389 | PUC |
| 2010-11 | 20101018 | CHINA P RP | 73049000 | CARBON SEAMLESS STEEL PIPE AS PER API 5L/ASTM A53/106 GRB | 96.00 | 32,853 | 31,53,842 | PUC |
| 2010-11 | 20101026 | CHINA P RP | 73041910 | CARBON SEAMLESS STEEL TUBES ASTM A 106 GR.B 140MM X 12MM | 96.00 | 29,717 | 28,52,821 | PUC |
| 2010-11 | 20101027 | CHINA P RP | 73045110 | BEARING QUALITY STEEL TUBE SAE-52100 (6905 IR) SIZE 30.9 X 3.3 MM | 92.00 | 65,480 | 60,24,115 | PUC |
| 2010-11 | 20101021 | CHINA P RP | 98010013 | PROJECT SEAMLESS PIPES(C/S)(S37/28/2010)TOSPEC.SA106-CI | 90.00 | 41,070 | 36,96,283 | PUC |
| 2010-11 | 20101011 | CHINA P RP | 73045910 | CARBON SEAMLESS STEEL TUBES ASME SA210M GR.A1 38.100 MM OD X 4.060 MM W X 11000 | 89.92 | 90,247 | 81,15,376 | PUC |
| 2010-11 | 20101018 | CHINA P RP | 73045910 | SEAMLESS STEEL TUBES ASME SA210M GR.A1 63.5 OD X 4.06 WT X 11000 LG MM | 89.16 | 52,920 | 47,18,379 | PUC |

**Import Data from DGCIS [All Countries PUC]
Apr 2009 to Jun 2012**

| Year | Date | Country | ITC-HS | Item-Des | Quantity (MT) | Price (Rs./MT) | Value (Rs) | PUC/ NPUC |
|---------|----------|----------------|----------|---|---------------|----------------|-------------|--------------|
| 2010-11 | 20101009 | CHINA P RP | 73049000 | CARBON STEEL SEAMLESS PIPES 133MM X 4 MM X 3 M | 89.00 | 50,626 | 45,05,718 | PUC |
| 2010-11 | 20101022 | CHINA P RP | 73049000 | CARBON STEEL SEAMLESS PIPE/API5L/ASTM A106 GR.B- 355.6MMX7.92MM -24 PCS | 85.14 | 46,115 | 39,26,123 | PUC |
| 2010-11 | 20101012 | CHINA P RP | 73043119 | SEAMLESS CARBON STEEL TUBES.OD 38.10 X 3.66 X R/L OF 10-12 MTR,GRADE.SA210 GRA1 | 85.00 | 59,643 | 50,69,656 | PUC |
| 2010-11 | 20101029 | CHINA P RP | 73045110 | PRIME CDS HOLLOW SEAMLESS TUBES SIZE: OD49.9 X THK5.8 X LENGTH5000MM | 85.00 | 44,374 | 37,71,775 | PUC |
| 2010-11 | 20101013 | CHINA P RP | 73069090 | BEARING SEAMLESS STEEL TUBES - 6301 IR (17 BUNDLES) | 84.65 | 66,580 | 56,35,712 | PUC |
| 2010-11 | 20101012 | ITALY | 73043911 | COLD DRAWN SEAMLESS STEEL TUBE - 126,00 X 8,00 X 1,00 E355 (451.900 MTR) | 83.12 | 75,692 | 62,91,112 | PUC |
| 2010-11 | 20101001 | CHINA P RP | 73045110 | BEARING QUALITY STEEL TUBE SAE-52100 (6305 M IR)SIZE:36.92 X 24.78MM | 82.28 | 60,742 | 49,98,102 | PUC |
| 2010-11 | 20101005 | CHINA P RP | 73069090 | BEARING SEAMLESS STEEL TUBES - 6204 IR (17 BUNDLES) | 82.19 | 75,010 | 61,64,736 | PUC |
| 2010-11 | 20101028 | CZECH REPUBLIC | 98010013 | SEAMLESS CARBON STEEL PIPES SA 106 S37/25/2010 CIF RS.7509658 | 82.00 | 91,581 | 75,09,657 | PUC |
| 2010-11 | 20101006 | CHINA P RP | 73045110 | BEARING QUALITY STEEL TUBE SAE-52100 (6307 IR)SIZE:49.68X34.65 MM | 81.29 | 61,928 | 50,34,226 | PUC |
| 2010-11 | 20101018 | CHINA P RP | 73045110 | BEARING QUALITY STEEL TUBE SAE -52100 AND SUJ-3 TMB6002OR 32.7X3.3MM | 80.00 | 79,875 | 63,90,001 | PUC |
| 2010-11 | 20101025 | CHINA P RP | 73042400 | CARBON SEAMLESS STEEL TUBES (ASME SA210 GR.A1) (51.0 OD X 6.35 WT X 11500 LG) | 79.87 | 34,759 | 27,76,246 | PUC |
| 2010-11 | 20101026 | JAPAN | 98010013 | SEAMLESS CARBON STEEL PIPES S37/24/2010 CIF RS.5431854 | 79.00 | 68,758 | 54,31,854 | PUC |
| 2010-11 | 20101028 | CHINA P RP | 73045110 | BEARING QUALITY STEEL TUBE SAE-52100 (6311 IR) SIZE:74.88X54.65MM | 78.04 | 62,348 | 48,65,849 | PUC |
| 2010-11 | 20101021 | FRANCE | 98010013 | SEAMLESS CARBON STEEL PIPES (TO SPEC SA 106) | 78.00 | 95,077 | 74,15,994 | PUC |
| 2010-11 | 20101015 | CHINA P RP | 73045110 | BEARING QUALITY STEEL TUBE SAE-52100 (GCR15) (6306 IR) SIZE:43.16X29.75MM | 77.15 | 62,104 | 47,91,221 | PUC |
| 2010-11 | 20101022 | CHINA P RP | 73049000 | SEAMLESS PIPE CARBON STEEL SEAMLESS MOTHER PIPE - 40X4X7300 | 77.00 | 49,853 | 38,38,696 | PUC |
| 2010-11 | 20101013 | CHINA P RP | 73044100 | COLD DRAWN SEAMLESS STEEL PIPE SIZE 32X 9 X 4400 | 77.00 | 46,683 | 35,94,556 | PUC |
| 2010-11 | 20101015 | GERMANY | 73049000 | CARBON STEEL SECONDARY DEFECTIVE SEAMLESS PIPES | 75.00 | 24,873 | 18,65,505 | PUC |
| 2010-11 | 20101004 | CHINA P RP | 73045110 | BEARING QUALITY STEEL TUBE SAE-52100 6003 OR 35.6*4.2MM | 75.00 | 66,329 | 49,74,668 | PUC |
| 2010-11 | 20101026 | SAUDI ARAB | 73049000 | SECONDARY SECOND CARBON STEEL SEAMLESS/ WELDED PIPES MIXED THICKNESS MIXED LOT. | 74.00 | 16,470 | 12,18,755 | PUC |
| 2010-11 | 20101023 | SAUDI ARAB | 73049000 | SECONDARY SECOND CARBON STEEL SEAMLESS / WELDED PIPES MIXED THICKNESS MIXED LO | 74.00 | 16,397 | 12,13,353 | PUC |
| 2010-11 | 20101029 | CHINA P RP | 73045930 | SEAMLESS CARBON STEEL PIPES ASME SA106 GR.B 273 * 25.4 * 6-9 M (108 METER) | 73.92 | 43,996 | 32,52,372 | PUC |
| 2010-11 | 20101008 | CHINA P RP | 73043119 | SEAMLESS CARBON STEEL AND ALLOY STEEL TUBES.OD38.1X4.00 XR/LOF 10-12 MTRGRADESA | 73.00 | 45,019 | 32,86,382 | PUC |
| 2010-11 | 20101018 | BELGIUM | 73049000 | M.S.SEAMLESS PIPE SECONDAARY SECOND CHOICE MIX | 72.00 | 22,680 | 16,32,979 | PUC |
| 2010-11 | 20101008 | CHINA P RP | 73049000 | SEAMLESS STEEL TUBE (CARBON STEEL SEAMLESS PIPES/TUBES) GRADE C-45 OD 22.00 MMX | 71.00 | 48,500 | 34,43,480 | PUC |
| 2010-11 | 20101016 | CHINA P RP | 73045110 | HOT FINISHED / COLD DRAWN SEAMLESS CARBON STEEL PIPES SIZE(MM): 48.3 X10.15 X 5 | 69.37 | 21,425 | 14,86,287 | PUC |
| 2010-11 | 20101030 | CHINA P RP | 73043119 | SEAMLESS TUBES. SA 210 GR A1 OD.38.1MM X 4.06 MM THK X 10-11.8MTR (1741 NOS - 1 | 69.29 | 42,549 | 29,48,373 | PUC |
| 2010-11 | 20101001 | CHINA P RP | 98010013 | SEAMLESS CARBON STEEL PIPES (TO SPEC SA 106)(OD 127 X 20 X 6000) (S37/22/2010/G | 69.00 | 55,893 | 38,56,615 | PUC |
| 2010-11 | 20101012 | SPAIN | 73043911 | TUBES (TO SPEC SA 106) CARBON STEEL(48.3X10.15MM.AWTX6500 MM) | 68.00 | 78,296 | 53,24,124 | PUC |
| 2010-11 | 20101012 | CHINA P RP | 73045110 | LTCS SEAMLESS TUBES MATERIAL: SA334 25.4MM X 2.77 X 3658MM | 67.10 | 57,639 | 38,67,272 | PUC |
| 2010-11 | 20101026 | CHINA P RP | 73049000 | SEMLESS STEEL PIPE ASTM A 106 GRADE-B (32MM O/D X 18MM I/D X4.2 METER LEN | 66.00 | 40,793 | 26,92,342 | PUC |
| 2010-11 | 20101012 | CHINA P RP | 73069090 | BEARING SEAMLESS STEEL TUBES - 61905 OR (1 BDL) | 65.19 | 90,619 | 59,07,624 | PUC |
| 2010-11 | 20101025 | CHINA P RP | 73045110 | BEARING QUALITY STEEL TUBE SAE-52100 & SUJ-3 (6211R) SIZE:69.2 X 7.55 MM | 62.00 | 65,606 | 40,67,594 | PUC |
| 2010-11 | 20101013 | CHINA P RP | 73045110 | BEARING QUALITY STEEL TUBE SAE-52100 SUJ-3 AND SAE 8620 (TMB6002 OR) SIZE:32. | 60.00 | 77,633 | 46,57,953 | PUC |
| 2010-11 | 20101007 | U S A | 73042200 | OIL WELL SUPPLIES : DRILLPIPE, 5 IN OD GRADE S135 RANGE 2 1 | 58.92 | 95,962 | 56,54,571 | PUC |
| 2010-11 | 20101025 | U S A | 73049000 | SECONDARY SECOND CHOICE CARBON STEEL SEAMLESS/WELDED PIPES | 58.00 | 21,833 | 12,66,335 | PUC |
| 2010-11 | 20101023 | SAUDI ARAB | 73049000 | SECONDARY SECOND CARBON STEEL SEAMLESS / WELDED PIPES MIXED THICKNESS MIXED LO | 58.00 | 16,499 | 9,56,915 | PUC |
| 2010-11 | 20101006 | CHINA P RP | 73041910 | CARBON STEEL SEAMLESS PIPES-ASTM A106 GR.B, 273MM X 9.27MM. | 55.00 | 45,864 | 25,22,547 | PUC |
| 2010-11 | 20101021 | CHINA P RP | 73042390 | 5 HEAVE DRILL PIPES 4 1/2 IF BOX X 4 1/2 PIN (OILFIELD EQPS.) DETAILS AS PER DG | 52.20 | 2,16,207 | 1,12,85,999 | PUC |
| 2010-11 | 20101012 | JAPAN | 73049000 | SECONDARY DEFECTIVE M.S.PIPES OF MIX SIZES | 52.00 | 23,317 | 12,12,479 | PUC |

**Import Data from DGCIS [All Countries PUC]
Apr 2009 to Jun 2012**

| Year | Date | Country | ITC-HS | Item-Des | Quantity (MT) | Price (Rs./MT) | Value (Rs) | PUC/ NPUC |
|---------|----------|------------|----------|---|---------------|----------------|------------|--------------|
| 2010-11 | 20101001 | CHINA P RP | 73049000 | CARBON STEEL SEAMLESS PIPES ASTM A106 GR.B / API 5L GR.B SIZE 76.1 MM X 2.9 MM | 52.00 | 48,357 | 25,14,567 | PUC |
| 2010-11 | 20101008 | CHINA P RP | 73042990 | CARBON SEAMLESS STEEL PIPE DIA159MM X 4.5MM X 3000MM | 52.00 | 45,263 | 23,53,672 | PUC |
| 2010-11 | 20101027 | CHINA P RP | 73049000 | SEAMLESS CARBON STEEL PIPES | 52.00 | 32,030 | 16,65,554 | PUC |
| 2010-11 | 20101019 | U S A | 73069090 | A519 COLD DRAWN SEAMLESS TUBING (SIZE: 253.9 OD X 214.66 ID) | 51.71 | 1,44,773 | 74,86,109 | PUC |
| 2010-11 | 20101012 | CHINA P RP | 73045910 | SEAMLESS STEEL TUBES ASME SA-210M GR. A1 38.1 OD X 3.66 MIN WT X 11000 LG | 50.53 | 72,910 | 36,84,287 | PUC |
| 2010-11 | 20101013 | JAPAN | 73049000 | ALLOY STEEL SEAMLESS STEEL TUBES O.D. 47.55MM X W/TH. 6.35MM | 50.22 | 1,61,341 | 81,02,525 | PUC |
| 2010-11 | 20101008 | KOREA RP | 73041910 | MANDREL 120 X 60 8.5T X 5.5 METER - (STEEL TUBE) | 50.00 | 33,425 | 16,71,240 | PUC |
| 2010-11 | 20101018 | BELGIUM | 73049000 | SECONDARY CARBON SEAMLESS PIPE | 50.00 | 20,763 | 10,38,165 | PUC |
| 2010-11 | 20101008 | CHINA P RP | 73049000 | CARBON STEEL SEAMLESS PIPES API 5LB/ASTM A 106B/A53B | 50.00 | 28,519 | 14,25,955 | PUC |
| 2010-11 | 20101028 | CHINA P RP | 73041110 | SEAMLESS CARBON STEEL PIPE ,ASTM A106GR B 102*11*5800MM | 50.00 | 28,488 | 14,24,389 | PUC |
| 2010-11 | 20101027 | JAPAN | 73049000 | BEARING QUALITY STEEL TUBES SAE52100 OD62.90 X WT4.85MM | 49.45 | 94,044 | 46,50,567 | PUC |
| 2010-11 | 20101027 | GERMANY | 73049000 | SECONDARY PRECISION CARBON ERW PIPES | 49.00 | 28,020 | 13,72,995 | PUC |
| 2010-11 | 20101027 | CHINA P RP | 73043119 | CARBON STEEL SEAMLESS TUBE ASME SA210 GR.A1(63.5X4.06X9000MM) | 49.00 | 46,482 | 22,77,629 | PUC |
| 2010-11 | 20101008 | CHINA P RP | 73049000 | SECONDARY CARBON STEEL SEAMLESS PIPES IN MIXED | 49.00 | 23,188 | 11,36,202 | PUC |
| 2010-11 | 20101020 | CHINA P RP | 73041110 | MS SEAMLESS PIPES /TUBES 219*15MM/219X12.5MM/219*12.5MM/152*16MM/127*16MM/114* | 48.00 | 24,345 | 11,68,571 | PUC |
| 2010-11 | 20101011 | CHINA P RP | 73049000 | CARBON STEEL SEAMLESS PIPES STOCK LOT | 46.00 | 25,985 | 11,95,321 | PUC |
| 2010-11 | 20101014 | CHINA P RP | 73041910 | SEAMLESS PRECISION STEEL TUBE - 50 X 6 X L (=940MMX 2/3/4/5/6) | 45.57 | 45,600 | 20,77,810 | PUC |
| 2010-11 | 20101008 | CHINA P RP | 73049000 | SEAMLESS STEEL TUBE BKS 60.3 MM X5.5MMX5500MM | 45.00 | 46,711 | 21,01,975 | PUC |
| 2010-11 | 20101006 | CHINA P RP | 73043119 | SEAMLESS CARBON STEEL TUBES AS PER DIN 1629-84 ST37.4 (SIZE 30X 2.5 X 10000-120 | 45.00 | 46,218 | 20,79,816 | PUC |
| 2010-11 | 20101026 | CHINA P RP | 73043139 | HYDRAULIC CYLINDER TUBE SIZE : 160 X 140CM | 44.15 | 32,633 | 14,40,632 | PUC |
| 2010-11 | 20101018 | U S A | 73049000 | CARBON STEEL PIPES STOCK LOT | 43.00 | 21,946 | 9,43,680 | PUC |
| 2010-11 | 20101012 | U S A | 73049000 | SECONDARY SECOND CHOICE CARBON STEEL SEAMLESS/WELDED PIPES | 43.00 | 20,953 | 9,00,997 | PUC |
| 2010-11 | 20101022 | CHINA P RP | 73049000 | SEAMLESS PIPE CARBON STEEL SEAMLESS MOTHER PIPES-25X3.65X970 | 43.00 | 48,947 | 21,04,731 | PUC |
| 2010-11 | 20101021 | CHINA P RP | 73049000 | CARBON STEEL SEAMLESS PIPES GRADE ATM A106 GR.B(426 * 50 MM) | 43.00 | 34,203 | 14,70,739 | PUC |
| 2010-11 | 20101018 | CHINA P RP | 73049000 | PRIME CARBON STEEL SEAMLESS PIPES TO ASTM A 106 GRADE B | 43.00 | 32,495 | 13,97,286 | PUC |
| 2010-11 | 20101015 | CHINA P RP | 73045110 | BEARING QUALITY STEEL TUBE SAE-52100 & SUJ-3 (TMB6304OR) SIZE:52.6X5.55MM | 41.00 | 81,421 | 33,38,263 | PUC |
| 2010-11 | 20101025 | CHINA P RP | 73043119 | CARBON STEEL SEAMLESS PIPES (48X11X5800MM) | 41.00 | 31,679 | 12,98,823 | PUC |
| 2010-11 | 20101025 | CHINA P RP | 73045110 | BEARING QUALITY STEEL TUBE SAE-52100 (6311 IR) SIZE:74.88X54.65MM | 40.97 | 61,054 | 25,01,460 | PUC |
| 2010-11 | 20101008 | U S A | 73049000 | SECONDARY SEAMLESS CARBON STEEL PIPES | 40.00 | 31,397 | 12,55,886 | PUC |
| 2010-11 | 20101006 | GERMANY | 73049000 | CARBON STEEL SEAMLESS PIPE SECONDARY/DEFECTIVE | 40.00 | 23,853 | 9,54,110 | PUC |
| 2010-11 | 20101006 | CHINA P RP | 73049000 | CARBON STEEL SEAMLESS PIPES | 39.60 | 34,328 | 13,59,532 | PUC |
| 2010-11 | 20101006 | CHINA P RP | 73045910 | SEAMLESS STEEL TUBES ASME SA-210M-GR.A1 38.1 OD X 3.66 MIN WT X 11000 LG | 38.39 | 64,652 | 24,82,119 | PUC |
| 2010-11 | 20101013 | CHINA P RP | 73045110 | BEARING QUALITY STEEL TUBE SAE-52100,SUJ-3 AND SAE 8620 (N1031BUSH) SIZE:40.9 X | 38.00 | 80,988 | 30,77,526 | PUC |
| 2010-11 | 20101005 | CHINA P RP | 73049000 | CARBON STEEL SEAMLESS PIPES STOCK LOT | 38.00 | 25,810 | 9,80,784 | PUC |
| 2010-11 | 20101012 | CHINA P RP | 73043139 | HYDRAULIC CYLINDER TUBE SIZE : 200 X 180MM | 37.64 | 20,747 | 7,80,912 | PUC |
| 2010-11 | 20101019 | CHINA P RP | 73045910 | SEAMLESS STEEL TUBES ASME SA210M GR.A1 38.1 OD X 3.66 WT X 11000LG MM | 37.61 | 81,733 | 30,73,851 | PUC |
| 2010-11 | 20101019 | CHINA P RP | 73045910 | SEAMLESS STEEL TUBES ASME SA210M GR.A1 38.1 OD X 3.66 WT X 11000LG MM | 37.54 | 81,651 | 30,65,424 | PUC |
| 2010-11 | 20101027 | CHINA P RP | 73045110 | BEARING QUALITY STEEL TUBE SAE-52100 (BB1103 OR) SIZE :72.9X6.7MM | 37.00 | 69,662 | 25,77,510 | PUC |
| 2010-11 | 20101001 | CHINA P RP | 98010013 | SEAMLESS CARBON STEEL PIPES(TO SPEC SA 106)OD159.00X18.00X 6000(S37/28/2010/GR6 | 37.00 | 41,431 | 15,32,937 | PUC |
| 2010-11 | 20101020 | CHINA P RP | 73045110 | BEARING QUALITY STEEL TUBE SAE-52100 & SUJ-3 (TM6306/25IR) SIZE 43.6X9.7MM | 36.00 | 92,098 | 33,15,539 | PUC |
| 2010-11 | 20100929 | CHINA P RP | 73045110 | STEEL TUBE DIA 4.76 X 0.60MM WITH COPPER COATED | 33.87 | 66,375 | 22,47,919 | PUC |

**Import Data from DGCIS [All Countries PUC]
Apr 2009 to Jun 2012**

| Year | Date | Country | ITC-HS | Item-Des | Quantity (MT) | Price (Rs./MT) | Value (Rs) | PUC/ NPUC |
|---------|----------|-------------|----------|--|---------------|----------------|------------|--------------|
| 2010-11 | 20101012 | CHINA P RP | 73043139 | HYDRAULIC CYLINDER TUBE SIZE ; 115 X 100MM | 33.24 | 43,863 | 14,57,857 | PUC |
| 2010-11 | 20101027 | CHINA P RP | 73041990 | CARBON STEEL SEAMLESS BLACK PIPE 16 XSCH80X5.00-5.80 MTR | 33.00 | 46,841 | 15,45,742 | PUC |
| 2010-11 | 20101022 | CHINA P RP | 73042390 | DRILL PIPE 2 3/8 OD, 6.65 PPF, S 135,2.3/8 IF,RANGE-II | 32.65 | 78,564 | 25,65,456 | PUC |
| 2010-11 | 20101016 | CHINA P RP | 73045110 | STEEL TUBE DIA 4.76 0.55MM WITH ZINC COATED | 31.42 | 68,252 | 21,44,340 | PUC |
| 2010-11 | 20101027 | CHINA P RP | 73041990 | CARBON STEEL SEAMLESS BLACK PIPE 20 XSCH80X5.00-5.80 MTR | 29.00 | 50,634 | 14,68,387 | PUC |
| 2010-11 | 20101026 | JAPAN | 73049000 | SEAMLESS ALLOY STEEL TUBES CONF. TO JIS G3441 SCM415TK 36.70MM OD X 28.10MM ID | 28.85 | 1,35,551 | 39,10,524 | PUC |
| 2010-11 | 20101014 | CHINA P RP | 73043129 | SEAMLESS CARBON STEEL PIPES API 5L/ ASTM A106/A53 GR.B SIZE-219.1MM X 25.4MM | 28.00 | 43,089 | 12,06,504 | PUC |
| 2010-11 | 20101022 | ITALY | 73043119 | CYLINDER TUBES SUITABLE FOR HONING AND SSID CYLINDER TUBES (112 X 6 X 7000 E355 | 27.96 | 68,303 | 19,09,742 | PUC |
| 2010-11 | 20101006 | MALAYSIA | 73049000 | CARBON STEEL SECONDARY DEFECTIVE SEAMLESS PIPES | 27.00 | 24,040 | 6,49,083 | PUC |
| 2010-11 | 20101019 | U ARAB EMTS | 73049000 | CARBON STEEL SECONDARY PIPES | 27.00 | 19,593 | 5,28,999 | PUC |
| 2010-11 | 20101005 | MALAYSIA | 73049000 | CARBON STEEL SECONDARY DEFECTIVE SEAMLESS PIPES | 26.00 | 24,970 | 6,49,215 | PUC |
| 2010-11 | 20101014 | SINGAPORE | 73041910 | SEC/DEF STEEL PIPES | 26.00 | 22,975 | 5,97,360 | PUC |
| 2010-11 | 20101021 | U ARAB EMTS | 73049000 | SECONDARY CARBON STEEL SEAMLESS & WELDED PIPES MIXED LOT | 26.00 | 18,445 | 4,79,575 | PUC |
| 2010-11 | 20101027 | CHINA P RP | 73041990 | CARBON STEEL SEAMLESS BLACK PIPE 16 XSCH80X5.00-5.80 MTR | 26.00 | 46,610 | 12,11,861 | PUC |
| 2010-11 | 20101012 | CHINA P RP | 73043119 | CARBON STEEL SEAMLESS PIPES AS PER ASTM A-106 API-5L GR-B | 26.00 | 29,729 | 7,72,952 | PUC |
| 2010-11 | 20101011 | CHINA P RP | 73043119 | CARBON STEEL SEAMLESS PIPES AS ASTM A106 GR A API 5L | 26.00 | 29,681 | 7,71,707 | PUC |
| 2010-11 | 20101020 | CHINA P RP | 73049000 | SECONDARY CARBON STEEL SEAMLESS PIPES IN MIXED SIZES | 26.00 | 23,648 | 6,14,856 | PUC |
| 2010-11 | 20101021 | ITALY | 73043939 | HYDRAULIC CYLINDER HONED TUBE - 140*120 | 25.56 | 57,021 | 14,57,498 | PUC |
| 2010-11 | 20101014 | GERMANY | 73049000 | COLD DRAWN MS RECTANGULAR TUBE AS PER EN 10219, S355 JO/ S355 J2H 140 X 80 X 10 | 25.13 | 83,368 | 20,95,200 | PUC |
| 2010-11 | 20101006 | MALAYSIA | 73049000 | CARBON STEEL SECONDARY DEFECTIVE SEAMLESS PIPES | 25.00 | 24,817 | 6,20,420 | PUC |
| 2010-11 | 20101005 | MALAYSIA | 73049000 | CARBON STEEL SECONDARY DEFECTIVE SEAMLESS PIPES | 25.00 | 24,546 | 6,13,646 | PUC |
| 2010-11 | 20101023 | BELGIUM | 73049000 | M.S.SEAMLESS PIPE SECONDARY SECOND CHOICE MIX | 25.00 | 22,462 | 5,61,547 | PUC |
| 2010-11 | 20101026 | SAUDI ARAB | 73049000 | SECONDARY SECONDD CARBON STEEL SEAMLESS/ WELDED PIPES MIXED THICKNESS MIXED LOT. | 25.00 | 16,436 | 4,10,890 | PUC |
| 2010-11 | 20101018 | CHINA P RP | 73041990 | CARBON STEEL SEAMLESS BLACK PIPE 16 X SCH80 X 5.00-5.80MTR | 25.00 | 45,497 | 11,37,434 | PUC |
| 2010-11 | 20101018 | CHINA P RP | 73041990 | CARBON STEEL SEAMLESS BLACK PIPE - 16 X SCH80 X 5.00 - 5.80 MTR | 25.00 | 44,754 | 11,18,845 | PUC |
| 2010-11 | 20101011 | CHINA P RP | 73049000 | CARBON STEEL SEAMLESS PIPE | 25.00 | 39,660 | 9,91,499 | PUC |
| 2010-11 | 20101021 | CHINA P RP | 73049000 | CARBON STEEL SEAMLESS PIPE ASTM A179 | 25.00 | 33,403 | 8,35,065 | PUC |
| 2010-11 | 20101025 | CHINA P RP | 73049000 | CARBON STEEL SEAMLESS PIPES(6 X SCH 40)GRB | 25.00 | 28,329 | 7,08,214 | PUC |
| 2010-11 | 20101001 | CHINA P RP | 73041910 | SEAMLESS STEEL TUBES GRADE SAE52100/GCR15 (SIZE 57.0X36.0 X10.5 MM) | 24.69 | 56,615 | 13,97,601 | PUC |
| 2010-11 | 20101025 | ROMANIA | 73049000 | CARBON STEEL SEAMLESS PIPES 20 SCH.30/XS (20.24 MTRS) | 24.59 | 72,950 | 17,93,834 | PUC |
| 2010-11 | 20101021 | CHINA P RP | 73041110 | MS SEAMLESS PIPES /TUBES 48.3X3.68X5000MM (14.57MTS)60.3X3.91X5800MM | 24.02 | 23,712 | 5,69,444 | PUC |
| 2010-11 | 20101025 | JAPAN | 73049000 | SECONDARY SEAMLESS CARBON STEEL PIPES | 24.00 | 37,737 | 9,05,694 | PUC |
| 2010-11 | 20101001 | CHINA P RP | 73049000 | CARBON STEEL SEAMLESS PIPES ASTM A106 GR.B SIZE 146 MM X 16MM | 24.00 | 45,303 | 10,87,263 | PUC |
| 2010-11 | 20101018 | CHINA P RP | 73049000 | CARBON STEEL SEAMLESS PIPES, ASTM A 106, GR.B, BLACK VARISH | 24.00 | 41,932 | 10,06,365 | PUC |
| 2010-11 | 20101027 | CHINA P RP | 73049000 | SEAMLESS CARBON STEEL PIPES | 24.00 | 33,134 | 7,95,223 | PUC |
| 2010-11 | 20101005 | CHINA P RP | 73043119 | CARBON STEEL SEAMLESS PIPES (3X40X5800MM) | 24.00 | 32,361 | 7,76,657 | PUC |
| 2010-11 | 20101012 | CHINA P RP | 73043119 | CARBON STEEL SEAMLESS PIPES AS PER ASTM A106 GR.B API 5L | 24.00 | 30,791 | 7,38,984 | PUC |
| 2010-11 | 20100929 | CHINA P RP | 73043119 | SKIVED AND BURNISHED TUBES(ID-125MM X OD-140MM) | 23.80 | 55,247 | 13,15,157 | PUC |
| 2010-11 | 20101001 | CHINA P RP | 73043129 | STEEL HONED TUBES (OD 164 X ID 146 H8 MM) NT.WT. 8609 KGS | 23.57 | 72,863 | 17,17,670 | PUC |
| 2010-11 | 20101028 | CHINA P RP | 73043929 | CARBON STEEL SEAMLESS PIPE 6INCH X 32MM | 23.15 | 38,988 | 9,02,572 | PUC |
| 2010-11 | 20101008 | NEW ZEALAND | 73049000 | SEAMLESS STEEL TUBES BK 3.5-4.5 METER # 45 25.75+-0.15X19.50+-0.15 | 23.00 | 50,483 | 11,61,098 | PUC |

**Import Data from DGCIS [All Countries PUC]
Apr 2009 to Jun 2012**

| Year | Date | Country | ITC-HS | Item-Des | Quantity (MT) | Price (Rs./MT) | Value (Rs) | PUC/ NPUC |
|---------|----------|-------------|----------|---|---------------|----------------|------------|--------------|
| 2010-11 | 20101018 | CHINA P RP | 73043939 | SEAMLESS TUBE ASTM A106 GRB 88.9 X 6.0 MM | 23.00 | 45,916 | 10,56,064 | PUC |
| 2010-11 | 20101005 | CHINA P RP | 73043119 | CARBON STEEL SEAMLESS PIPES (3X40X5800MM) | 23.00 | 33,684 | 7,74,731 | PUC |
| 2010-11 | 20101013 | CHINA P RP | 73043119 | SEAMLESS STEEL PIPES API 5L GR. B 38 X 5 X 5000-5800MM | 22.98 | 43,183 | 9,92,350 | PUC |
| 2010-11 | 20101001 | CHINA P RP | 73043139 | STEEL HONED TUBES (OD 245 X ID 190 MM) NT.WT. 22583 KGS | 22.72 | 81,832 | 18,59,540 | PUC |
| 2010-11 | 20101018 | CHINA P RP | 73043911 | BEARING SEAMLESS STEEL TUBE GRADE :GCR 15SIZE: 51.8 X 7.3 | 22.36 | 56,886 | 12,72,202 | PUC |
| 2010-11 | 20101026 | CHINA P RP | 73045110 | BEARING QUALITY STEEL TUBE SAE52100 | 22.16 | 69,540 | 15,40,867 | PUC |
| 2010-11 | 20101014 | U S A | 73049000 | SECONDARY SECON D CHOICE CARBON STEEL SEAMLESS/WELDED PIPES | 22.00 | 21,763 | 4,78,779 | PUC |
| 2010-11 | 20100929 | CHINA P RP | 73043119 | SEAMLESS STEEL TUBE BK,5-5.8 METER27.10 X 14.20 -#20 | 22.00 | 56,106 | 12,34,341 | PUC |
| 2010-11 | 20101023 | CHINA P RP | 73049000 | SECONDARY DEFECTIVE CARBON STEEL SEAMLESS PIPES | 22.00 | 25,868 | 5,69,090 | PUC |
| 2010-11 | 20101015 | CHINA P RP | 73043939 | HYDRAULIC CYLINDER HONED TUBE - 115*100 | 21.64 | 69,402 | 15,01,905 | PUC |
| 2010-11 | 20101001 | U S A | 73049000 | SECONDARY/DEFECTIVE CARBON STEEL SEAMLESS PIPE | 21.00 | 22,398 | 4,70,364 | PUC |
| 2010-11 | 20101008 | U ARAB EMTS | 73049000 | SECONDARY SURPLUS CARBON STEEL SEAMLESS & WELDED PIPES MIXED LOT | 21.00 | 19,007 | 3,99,154 | PUC |
| 2010-11 | 20101025 | CHINA P RP | 73043111 | SEAMLESS STEEL PIPES SIZE: 76.1X6.0X5800 | 21.00 | 42,146 | 8,85,076 | PUC |
| 2010-11 | 20101008 | CHINA P RP | 73049000 | CARBON STEEL SEAMLESS PIPES PRIME ASTM A106-B/API 5L-B | 21.00 | 28,968 | 6,08,329 | PUC |
| 2010-11 | 20101004 | CHINA P RP | 73041990 | BEARING QUALITY STEEL TUBE 33.0*3.5 GRADE GCR15(12 BUNDLES) | 20.80 | 58,869 | 12,24,716 | PUC |
| 2010-11 | 20101026 | ITALY | 73043129 | COLD DRAWN SMLS CYLINDER TUBES E355 + SR INSIDE H8 R900607914 SZ: 190 X 15 M | 20.00 | 1,27,663 | 25,53,250 | PUC |
| 2010-11 | 20101028 | U ARAB EMTS | 73049000 | CARBON STEEL PIPES (SECONDARY DEFECTIVE) NON ALLOY. | 20.00 | 22,139 | 4,42,776 | PUC |
| 2010-11 | 20101029 | CHINA P RP | 73049000 | STEEL TUBES19.7MMX14.5MMX2.60MM | 20.00 | 92,737 | 18,54,734 | PUC |
| 2010-11 | 20101007 | CHINA P RP | 73043119 | SEAMLESS COLD DRAWN TUBES GRADE SAE52100/GCR15(+/- 10 % SIZE (38.97 X 4.97)MM | 20.00 | 62,781 | 12,55,618 | PUC |
| 2010-11 | 20101011 | CHINA P RP | 73041190 | 20 TONS COLD DRAWN SEAMLESS STEEL PIPES 101.6MM*4.06MM*702MM(19 BUNS.,PARTS O | 20.00 | 61,100 | 12,21,998 | PUC |
| 2010-11 | 20101019 | CHINA P RP | 73041910 | SEAMLESS STEEL TUBE 31.85*3.2*5000/5800 MM | 20.00 | 47,869 | 9,57,384 | PUC |
| 2010-11 | 20101027 | CHINA P RP | 73043139 | HYDRAULIC CYLINDER TUBE (140X125) | 19.55 | 76,471 | 14,95,089 | PUC |
| 2010-11 | 20101029 | CHINA P RP | 73069090 | CUT BLANK RINGS - 6203 OR CUT BLANKS OD40.55MM X ID32.15MM - (TUBES MADE FROM S | 19.40 | 99,758 | 19,35,296 | PUC |
| 2010-11 | 20101001 | CHINA P RP | 73049000 | STEEL TUBES19.7MM X 14.5MM X2.60 MM | 19.00 | 95,323 | 18,11,141 | PUC |
| 2010-11 | 20101006 | CHINA P RP | 73043119 | CARBON STEEL SEAMLESS PIPES (219X15X5800MM) | 19.00 | 31,398 | 5,96,563 | PUC |
| 2010-11 | 20101005 | CHINA P RP | 73049000 | CARBON STEEL SEAMLESS PIPES STOCK LOT | 19.00 | 26,114 | 4,96,163 | PUC |
| 2010-11 | 20101027 | JAPAN | 73049000 | BEARING QUALITY STEEL TUBES SAE52100 OD38.95 X WT3.85MM | 18.36 | 1,02,909 | 18,89,612 | PUC |
| 2010-11 | 20101022 | CHINA P RP | 73043129 | COLD DRAWN SEAMLESS STEEL TUBES (137X6.25X5772MM) | 18.00 | 66,467 | 11,96,404 | PUC |
| 2010-11 | 20101028 | U S A | 73042390 | TUBING 4130 NQT 10-3/4 OD X 18 -1/2 FT LG | 17.56 | 1,31,120 | 23,02,344 | PUC |
| 2010-11 | 20101006 | CHINA P RP | 73043139 | STEEL HONED TUBES (OD 245 X ID 200 MM) NET WT 8931 KGS | 17.41 | 80,327 | 13,98,827 | PUC |
| 2010-11 | 20101022 | CHINA P RP | 73043119 | COLD DRAWN SEAMLESS STEEL TUBES (113X6.75X4440MM) | 17.00 | 71,030 | 12,07,502 | PUC |
| 2010-11 | 20101001 | CHINA P RP | 73043119 | SEAMLESS STEEL TUBE 66.7MM X 4.77MM X3004MM | 17.00 | 54,344 | 9,23,845 | PUC |
| 2010-11 | 20101021 | CHINA P RP | 73043939 | NON ALLOY STEEL SEAMLESS TUBES GRADE AISI 1035 SIZE:46.58X35.55MM | 17.00 | 49,935 | 8,48,895 | PUC |
| 2010-11 | 20101026 | U S A | 73049000 | CARBON STEEL SECONDARY DEFECTIVE SEAMLESS PIPE | 16.00 | 26,465 | 4,23,438 | PUC |
| 2010-11 | 20101025 | JAPAN | 73041110 | C.R. ALLOY STEEL TUBE FOR BEARING SIZE: OD64.70MM XWT8.50MM | 15.00 | 1,12,189 | 16,82,838 | PUC |
| 2010-11 | 20101027 | CHINA P RP | 73041910 | SEAMLESS PRECISION STEEL TUBE - 50 X 6 X L (=940MMX 2/3/4/5/6) | 14.19 | 45,602 | 6,47,182 | PUC |
| 2010-11 | 20101007 | CHINA P RP | 73043911 | SEAMLESS STEEL TUBES (GRADE 37 MN) SIZE: 232 X 5.6 X 10675MM | 12.65 | 40,814 | 5,16,455 | PUC |
| 2010-11 | 20101012 | CHINA P RP | 73045110 | CS SEAMLESS TUBES MATERIAL: SA179 - 25.4MM X 2.77 X 3048MM | 12.25 | 68,542 | 8,39,370 | PUC |
| 2010-11 | 20101011 | CHINA P RP | 73045930 | CARBON STEEL PIPES 8 * SCH160*6-9M SA106 GR. B | 12.02 | 36,487 | 4,38,389 | PUC |
| 2010-11 | 20101001 | CHINA P RP | 73043119 | SEAMLESS STEEL PIPE (92X79.5X2610MM) | 12.00 | 71,534 | 8,58,410 | PUC |
| 2010-11 | 20101020 | CHINA P RP | 73069090 | CUT BLANK RINGS - 6201 OR CUT BLANKS - OD32.55 X ID25.25 MM (TUBES MADE FROM SA | 11.82 | 1,25,381 | 14,82,129 | PUC |

**Import Data from DGCIS [All Countries PUC]
Apr 2009 to Jun 2012**

| Year | Date | Country | ITC-HS | Item-Des | Quantity (MT) | Price (Rs./MT) | Value (Rs) | PUC/ NPUC |
|---------|----------|-------------|----------|---|---------------|----------------|------------|--------------|
| 2010-11 | 20101001 | CHINA P RP | 73043139 | STEEL HONED TUBES (OD 273XID 239.5 MM) NT.WT. 7625 KGS | 11.54 | 75,110 | 8,66,905 | PUC |
| 2010-11 | 20101007 | CHINA P RP | 73043911 | SEAMLESS STEEL TUBES (GRADE 37 MN) SIZE: 232 X 5.6 X 10675MM | 11.45 | 40,812 | 4,67,216 | PUC |
| 2010-11 | 20101019 | CHINA P RP | 73043119 | SEAMLESS STEEL TUBE 66.7MM X 4.77MM X3004MM | 11.00 | 60,272 | 6,62,994 | PUC |
| 2010-11 | 20101015 | GERMANY | 73049000 | SEAMLESS P+P PRECISION STEEL TUBEGR ST 52,OD-6.350 ID-3.00MM WT-1.675 MM (FOR C | 9.00 | 1,51,371 | 13,62,336 | PUC |
| 2010-11 | 20101027 | CHINA P RP | 73041910 | SEAMLESS PRECISION STEEL TUBE - 50 X 6 X L (=940MMX 2/3/4/5/6) | 8.64 | 45,602 | 3,94,049 | PUC |
| 2010-11 | 20101005 | CHINA P RP | 73043929 | A 106 18 SEAMLESS CARBON STEEL PIPES | 8.27 | 58,090 | 4,80,350 | PUC |
| 2010-11 | 20101022 | SAUDI ARAB | 73049000 | SECONDARY SECOND CARBON STEEL SEAMLESS / WELDED PIPES MIXED THICKNESS MIXED L | 8.00 | 18,191 | 1,45,530 | PUC |
| 2010-11 | 20101001 | CHINA P RP | 73043929 | SEAMLESS STEEL PIPE (137X124.5X1445MM) | 8.00 | 67,080 | 5,36,637 | PUC |
| 2010-11 | 20101014 | KOREA RP | 73043119 | 40 TYPE PLACON ROUND ROLLS STANDARD | 7.87 | 93,841 | 7,38,720 | PUC |
| 2010-11 | 20101020 | GERMANY | 73043119 | SEAMLESS STEEL TUBES | 7.83 | 2,61,844 | 20,49,977 | PUC |
| 2010-11 | 20101029 | CHINA P RP | 73045930 | SEAMLESS CARBON STEEL PIPES SA106 GR.B 273 * 28.58 * 6-9 M (42.95 METER) | 7.40 | 44,007 | 3,25,565 | PUC |
| 2010-11 | 20101022 | CHINA P RP | 73043119 | SEAMLESS STEEL TUBE GRADE SAE52100/GCR15-8 (CARBON STEEL) SIZE 66.00 X 57.00 X | 7.28 | 54,720 | 3,98,362 | PUC |
| 2010-11 | 20101008 | JAPAN | 73049000 | HOT FINISHED SEAMLESS CARBON AND ALLOY STEEL PIPES- GRADE: ASME SA106 GR.B, PL | 7.00 | 71,302 | 4,99,115 | PUC |
| 2010-11 | 20101014 | CHINA P RP | 73043111 | SKIVED AND BURNISHED TUBE 105MM DIAMETER | 6.49 | 50,361 | 3,26,938 | PUC |
| 2010-11 | 20100924 | CHINA P RP | 73043919 | CARBON STEEL SEAMLESS TUBES ASTM A-179 SIZE :OD 30MM XTHK 3MMX 10500-11800MM | 6.28 | 45,363 | 2,85,064 | PUC |
| 2010-11 | 20101027 | CHINA P RP | 73045110 | BEARING QUALITY STEEL TUBE SAE52100 : (SIZE - 38.6*4.5) | 6.07 | 53,175 | 3,22,561 | PUC |
| 2010-11 | 20101021 | CHINA P RP | 73045120 | COLD DRAWN READY TO HONE PRECISION TUBE (100X115MM) | 6.01 | 59,304 | 3,56,229 | PUC |
| 2010-11 | 20101001 | CHINA P RP | 73049000 | CARBON STEEL SEAMLESS PIPE SECONDARY DEFECTIVE | 6.00 | 23,894 | 1,43,366 | PUC |
| 2010-11 | 20101006 | CHINA P RP | 73045110 | BEARING QUALITY STEEL TUBE SAE52100 : (SIZE:55.6*7.1) | 5.36 | 51,072 | 2,73,848 | PUC |
| 2010-11 | 20101026 | ITALY | 73045930 | SEAMLESS STEEL PIPES ASME SA 210 OD 38.10 MM X WT 3.66 MM X LG 1430.850 M | 5.28 | 63,346 | 3,34,594 | PUC |
| 2010-11 | 20101005 | CHINA P RP | 73043119 | SEAMLESS STEEL TUBE GRADE SAE52100/GCR15 SIZE 32.00X24.00X4.00 | 5.10 | 58,794 | 2,99,556 | PUC |
| 2010-11 | 20101001 | CHINA P RP | 73043129 | STEEL HONED TUBES (OD 136 X ID 120 MM) NT.WT. 3374 KGS | 5.05 | 94,848 | 4,79,212 | PUC |
| 2010-11 | 20101018 | CANADA | 73042990 | SLIDING SLEEVE 2-3/8 CSX-1D TYPE 2-3/8 TBG 5-1/2 CASING BORE I.D.1.875 FLOW AR | 5.00 | 1,18,024 | 5,90,121 | PUC |
| 2010-11 | 20101019 | SPAIN | 73043911 | CARBON STEEL TUBES (TO SPEC SA 106)(60.3X11.07MM X6500MM) | 5.00 | 84,339 | 4,21,697 | PUC |
| 2010-11 | 20101020 | REUNION | 73043119 | CYLINDER TUBES SEAMLESS 50.40 METERS | 5.00 | 73,123 | 3,65,617 | PUC |
| 2010-11 | 20101027 | CHINA P RP | 73041990 | CARBON STEEL SEAMLESS BALCK PIPE 20 XSCH120X6.30/6.36 MTR | 5.00 | 68,047 | 3,40,236 | PUC |
| 2010-11 | 20101011 | CHINA P RP | 73049000 | CARBON STEEL SEAMLESS PIPES STOCK LOT | 5.00 | 27,954 | 1,39,770 | PUC |
| 2010-11 | 20101012 | CHINA P RP | 73045110 | CS SEAMLESS TUBES MATERIAL: SA179 - 25.4MM X 2.77 X 2438MM | 4.71 | 54,270 | 2,55,505 | PUC |
| 2010-11 | 20101001 | CHINA P RP | 73043119 | STEEL HONED TUBES (OD 90 XID 76 MM) NT.WT. 4369 KGS | 4.37 | 74,795 | 3,26,977 | PUC |
| 2010-11 | 20101020 | JAPAN | 73043911 | CS NACE SEAMLESS PIPES (ASTM A106 GR.B) SIZE: 4 | 4.07 | 89,678 | 3,64,898 | PUC |
| 2010-11 | 20101006 | CHINA P RP | 73043129 | STEEL HONED TUBES (OD 180 X ID 160 MM) NET WT 4083 KGS | 4.07 | 77,385 | 3,14,809 | PUC |
| 2010-11 | 20101029 | JAPAN | 73049000 | SEAMLESS ALLOY STEEL MECHANICAL TUBES OP15S09985-2 / BYYF07980000 SPEC. NO . : | 4.00 | 1,70,408 | 6,81,631 | PUC |
| 2010-11 | 20101028 | U ARAB EMTS | 73049000 | CARBON STEEL PIPES (SECONDARY DEFECTIVE) NON ALLOY. | 4.00 | 23,927 | 95,709 | PUC |
| 2010-11 | 20101026 | SAUDI ARAB | 73049000 | SECONDARY SECOND CARBON STEEL SEAMLESS/ WELDED PIPES MIXED THICKNESS MIXED LOT. | 4.00 | 19,440 | 77,758 | PUC |
| 2010-11 | 20101001 | SAUDI ARAB | 73049000 | SECONDARY SECOND CARBON STEEL SEAMLESS / WELDED PIPES MIXED THICKNESS MIXED LO | 4.00 | 18,417 | 73,666 | PUC |
| 2010-11 | 20101020 | SAUDI ARAB | 73049000 | SECONDARY SECOND CARBON STEEL SEAMLESS / WELDED PIPES MIXED THICKNESS MIXED LO | 4.00 | 18,212 | 72,847 | PUC |
| 2010-11 | 20101016 | SAUDI ARAB | 73049000 | SECONDARY SECOND CARBON STEEL SEAMLESS / WELDED PIPES MIXED THICKNESS MIXED LO | 4.00 | 18,212 | 72,847 | PUC |
| 2010-11 | 20101020 | SAUDI ARAB | 73049000 | SECONDARY SECOND CARBON STEEL SEAMLESS / WELDED PIPES MIXED THICKNESS MIXED LO | 4.00 | 18,171 | 72,683 | PUC |
| 2010-11 | 20101006 | CHINA P RP | 73043119 | SEAMLESS CARBON STEEL TUBES AS PER DIN 1629-84 ST37.4 (SIZE 30X 2.5 X 10000-120 | 4.00 | 55,290 | 2,21,160 | PUC |
| 2010-11 | 20100928 | JAPAN | 73049000 | COLD DRAWN SEAMLESS TUBE (FOR PISTON PIN) GRADE SCM-415H (JIS) (O.D. 13.40MM | 3.97 | 2,81,428 | 11,17,271 | PUC |
| 2010-11 | 20101006 | CHINA P RP | 73043129 | STEEL HONED TUBES (OD 185 X ID 145 MM) NET WT 3539 KGS | 3.50 | 80,037 | 2,80,184 | PUC |

**Import Data from DGCIS [All Countries PUC]
Apr 2009 to Jun 2012**

| Year | Date | Country | ITC-HS | Item-Des | Quantity (MT) | Price (Rs./MT) | Value (Rs) | PUC/ NPUC |
|---------|----------|-------------|----------|---|---------------|----------------|------------|--------------|
| 2010-11 | 20101020 | GERMANY | 73043119 | COLD DRAWN SEAMLESS HYDRAULIC+PNEUMATIC LINE PIPES(ROUND 28X24X2) | 3.26 | 1,51,411 | 4,93,749 | PUC |
| 2010-11 | 20101019 | JAPAN | 73043911 | CS NACE SEAMLESS PIPES (250MM(10) SCH 40/STD CS SMLS PIPE ASTM A106 GR.B MULTI | 3.00 | 2,12,120 | 6,36,360 | PUC |
| 2010-11 | 20101007 | U S A | 73049000 | OIL WELL SUPPLIES : DRILLPIPE, 3-1/2 IN OD GRADE G105 R-2 1 | 3.00 | 1,29,134 | 3,87,402 | PUC |
| 2010-11 | 20101020 | CHINA P RP | 73043911 | CERAMIC LINED PIPES : IIL/SSIT (STEEL PIPE) (90 NOS.) | 2.97 | 2,59,231 | 7,69,917 | PUC |
| 2010-11 | 20101020 | NETHERLAND | 73041910 | SMLS PIPE 2 1/2 SCH, 10S , UNS S31803 | 2.70 | 2,02,732 | 5,47,376 | PUC |
| 2010-11 | 20101001 | JAPAN | 73043911 | CS NACE SEAMLESS PIPES (50MM(2) SCH 160 CS SMLS PIPE ASTM A106 GR.B MULTI SPEC | 2.00 | 2,38,567 | 4,77,133 | PUC |
| 2010-11 | 20101026 | JAPAN | 73043911 | CS NACE SEAMLESS PIPES (SA 106) SIZE: 6 | 2.00 | 2,21,052 | 4,42,104 | PUC |
| 2010-11 | 20101005 | JAPAN | 73045910 | HOT FINISHED SEAMLESS CARBON STEEL PIPES A/SA 160B, PLAIN END OD 273.1 X T35.00 | 1.64 | 72,263 | 1,18,851 | PUC |
| 2010-11 | 20101027 | KOREA RP | 73049000 | SHIPMENT OF CDS TUBE - SIZE 152.4X126.4 (PARTS FOR DOZERS) | 1.61 | 1,40,341 | 2,25,872 | PUC |
| 2010-11 | 20101026 | JAPAN | 73043911 | CS NACE SEAMLESS PIPES (API 5L GR. X42 SA 106 GR.B) SIZE: 6 | 1.50 | 2,10,774 | 3,16,161 | PUC |
| 2010-11 | 20101001 | CHINA P RP | 73043119 | COLD-ROLLED PRECISION SEAMLESS TUBE 60*5 MM | 1.24 | 6,76,795 | 8,39,226 | PUC |
| 2010-11 | 20101025 | GERMANY | 73043119 | SEAMLESS COLD DRAWN STEEL TUBE OUT DIAM:30.00 W THICKN 3.0MM (P/N 10063675) | 1.01 | 1,24,572 | 1,25,460 | PUC |
| 2010-11 | 20101007 | JAPAN | 73043911 | CS NACE SEAMLESS PIPES SCH 160 INCH 3 | 1.00 | 1,42,035 | 1,42,035 | PUC |
| 2010-11 | 20101026 | SAUDI ARAB | 73049000 | SECONDARY SECONDCARBON STEEL SEAMLESS/ WELDED PIPES MIXED THICKNESS MIXED LOT. | 1.00 | 16,370 | 16,370 | PUC |
| 2010-11 | 20101021 | CHINA P RP | 73043939 | NON ALLOY STEEL SEAMLESS TUBES GRADE AISI 1035 SIZE:46.58X35.55MM | 1.00 | 76,196 | 76,196 | PUC |
| 2010-11 | 20101012 | TAIWAN | 73042990 | COLD DRAWN PRECISION STEEL TUBE ST52.3 DIA 75MM*85MM*1300MM | 0.96 | 1,02,907 | 99,010 | PUC |
| 2010-11 | 20101018 | JAPAN | 73043911 | CS NACE SEAMLESS PIPES - (80MM (3) SCH 160 CS SMLS PIPE ASTM A106 GR.B MULTI S | 0.90 | 2,03,163 | 1,82,847 | PUC |
| 2010-11 | 20101014 | GERMANY | 73041190 | SEAMLESS STEEL PIPES (DIN 17175/ST-35.8/I DIA 48.30 X 3.60 | 0.79 | 2,33,284 | 1,85,223 | PUC |
| 2010-11 | 20101019 | JAPAN | 73043911 | CS NACE SEAMLESS PIPES (150MM(6) SCH 80/XS CS SMLS PIPE ASTM A106 GR.B MULTI S | 0.70 | 2,03,193 | 1,42,235 | PUC |
| 2010-11 | 20101001 | UNSPECIFIED | 73049000 | IRON SCARPPERMISSION GIVEN BY DC EDI VIDE SL.NO.1101/27.10.2010 | 0.67 | 20,200 | 13,534 | PUC |
| 2010-11 | 20101025 | CHINA P RP | 73042990 | SEAMLESS STEEL BOOM BRACING TUBE- 83 X 6 X 11.7M | 0.60 | 1,11,673 | 67,004 | PUC |
| 2010-11 | 20101002 | JAPAN | 73043911 | CS NACE SEAMLESS PIPES (CS SMLS PIPE ASTM A106 GR.B) SIZE: 2 | 0.40 | 2,21,283 | 88,513 | PUC |
| 2010-11 | 20101008 | U S A | 73049000 | OIL WELL SUPPLIES : WIPER, DRILLPIPE, 5-1/2 IN ID X 19 IN OD | 0.33 | 1,03,275 | 33,771 | PUC |
| 2010-11 | 20101023 | BELGIUM | 73049000 | M.S. SEAMLESS PIPE SECONDARY SECOND CHOICE MIX | 0.30 | 32,943 | 9,883 | PUC |
| 2010-11 | 20101001 | CHINA P RP | 73049000 | CARBON STEEL SEAMLESS PIPES STOCK LOT | 0.20 | 1,07,950 | 21,590 | PUC |
| 2010-11 | 20101018 | BELGIUM | 73049000 | M.S.SEAMLESS PIPE SECONDAARY SECOND CHOICE MIX | 0.10 | 85,360 | 8,536 | PUC |
| 2010-11 | 20101020 | CHINA P RP | 73041110 | CARBON STEEL SEAMLESS TUBES SA210 GR A1, OD50.8X4.0MMX11000MM LG | 0.10 | 2,18,800 | 21,880 | PUC |
| 2010-11 | 20101018 | CHINA P RP | 73049000 | PRIME CARBON STEEL SEAMLESS PIPES TO ASTM A 106 GRADE B | 0.10 | 1,60,790 | 16,079 | PUC |
| 2010-11 | 20101019 | CHINA P RP | 73049000 | CARBON STEEL SEAMLESS PIPES ASTM A 106 GRADE B/API 5L | 0.10 | 86,110 | 8,611 | PUC |
| 2010-11 | 20101020 | CHINA P RP | 73049000 | CARBON STEEL SEAMLESS PIPES AS PER API 5L GRADE B / A106B | 0.10 | 43,350 | 4,335 | PUC |
| 2010-11 | 20101023 | CHINA P RP | 73049000 | SECONDARY DEFECTIVE CARBON STEEL SEAMLESS PIPES | 0.10 | 40,130 | 4,013 | PUC |
| 2010-11 | 20101027 | CHINA P RP | 73049000 | CARBON STEEL SEAMLESS PIPE ASTM A 106 GR.B | 0.10 | 38,700 | 3,870 | PUC |
| 2010-11 | 20101021 | SINGAPORE | 73045910 | NICKEL ALLOY SEAMLESS PIPES GRADE 15.5 PH STOCK SURPLUS | 0.09 | 68,682 | 5,838 | PUC |
| 2010-11 | 20101005 | GERMANY | 73049000 | M.S SEAMLESS PIPES SECOND DEFECTIVE MIX | 0.06 | 1,10,750 | 6,645 | PUC |
| 2010-11 | 20101005 | MALAYSIA | 73049000 | CARBON STEEL SECONDARY DEFECTIVE SEAMLESS PIPES | 0.04 | 1,02,850 | 4,114 | PUC |
| 2010-11 | 20101005 | MALAYSIA | 73049000 | CARBON STEEL SECONDARY DEFECTIVE SEAMLESS PIPES | 0.04 | 1,02,850 | 4,114 | PUC |
| 2010-11 | 20101006 | MALAYSIA | 73049000 | CARBON STEEL SECONDARY DEFECTIVE SEAMLESS PIPES | 0.04 | 1,02,850 | 4,114 | PUC |
| 2010-11 | 20101006 | MALAYSIA | 73049000 | CARBON STEEL SECONDARY DEFECTIVE SEAMLESS PIPES | 0.04 | 1,01,875 | 4,075 | PUC |
| 2010-11 | 20101026 | U S A | 73049000 | CARBON STEEL SECONDARY DEFECTIVE SEAMLESS PIPE | 0.03 | 1,29,467 | 3,884 | PUC |
| 2010-11 | 20101015 | U S A | 73049000 | SECONDARY SECOND CHOICE CARBON STEEL SEAMLESS/WELDED PIPES | 0.01 | 41,100 | 411 | PUC |
| 2010-11 | 20101019 | U ARAB EMTS | 73049000 | CARBON STEEL SECONDARY PIPES | 0.01 | 37,800 | 378 | PUC |

**Import Data from DGCIS [All Countries PUC]
Apr 2009 to Jun 2012**

| Year | Date | Country | ITC-HS | Item-Des | Quantity (MT) | Price (Rs./MT) | Value (Rs) | PUC/ NPUC |
|---------|----------|-------------|----------|--|---------------|----------------|--------------|--------------|
| 2010-11 | 20101018 | CHINA P RP | 73049000 | CARBON STEEL SEAMLESS PIPES, ASTM A 106, GR.B, BLACK VARISH | 0.01 | 4,33,200 | 4,332 | PUC |
| 2010-11 | 20101012 | CHINA P RP | 73049000 | CARBON STEEL SEAMLESS PIPE, ASTM A106 GR.B | 0.01 | 4,03,100 | 4,031 | PUC |
| 2010-11 | 20101001 | CHINA P RP | 73049000 | CARBON STEEL SEAMLESS PIPE SECONDARY DEFECTIVE | 0.01 | 95,600 | 956 | PUC |
| 2010-11 | 20101006 | CHINA P RP | 73049000 | CARBON STEEL SEAMLESS PIPES | 0.01 | 34,300 | 343 | PUC |
| 2010-11 | 20101018 | CHINA P RP | 73049000 | CARBON SEAMLESS STEEL PIPE AS PER API 5L/ASTM A53/106 GRB | 0.01 | 32,800 | 328 | PUC |
| 2010-11 | 20101015 | CHINA P RP | 73049000 | SEAMLESS CARBON STEEL PIPES AS PER ASTM A106 GRADE-B (VARIOUS SIZE AS PER INV | 0.01 | 31,800 | 318 | PUC |
| 2010-11 | 20101001 | CHINA P RP | 73049000 | CARBON STEEL SEAMLESS PIPE SECONDARY DEFECTIVE | 0.01 | 1,06,222 | 956 | PUC |
| 2010-11 | 20101013 | CHINA P RP | 73043119 | SEAMLESS STEEL PIPES API 5L GR. B 38 X 5 X 5000-5800MM | 0.01 | 43,167 | 259 | PUC |
| 2010-11 | 20101021 | U ARAB EMTS | 73049000 | SECONDARY CARBON STEEL SEAMLESS & WELDED PIPES MIXED LOT | 0.004 | 3,22,750 | 1,291 | PUC |
| 2010-11 | 20101018 | U S A | 73049000 | SECONDARY SECOND CHOICE CARBON STEEL SEAMLESS/WELDED PIPES | 0.003 | 72,333 | 217 | PUC |
| 2010-11 | 20101027 | CHINA P RP | 73049000 | SEAMLESS CARBON STEEL PIPES | 0.003 | 1,06,333 | 319 | PUC |
| 2010-11 | 20101001 | U S A | 73049000 | SECONDARY/DEFECTIVE CARBON STEEL SEAMLESS PIPE | 0.002 | 1,10,500 | 221 | PUC |
| 2010-11 | 20101006 | GERMANY | 73049000 | CARBON STEEL SEAMLESS PIPE SECONDARY/DEFECTIVE | 0.001 | 2,35,000 | 235 | PUC |
| 2010-11 | 20101008 | U ARAB EMTS | 73049000 | SECONDARY SURPLUS CARBON STEEL SEAMLESS & WELDED PIPES MIXED LOT | 0.001 | 1,84,000 | 184 | PUC |
| 2010-11 | 20101012 | U S A | 73049000 | SECONDARY SECOND CHOICE CARBON STEEL SEAMLESS/WELDED PIPES | 0.001 | 1,03,000 | 103 | PUC |
| 2010-11 | 20101025 | U S A | 73049000 | SECONDARY SECOND CHOICE CARBON STEEL SEAMLESS/WELDED PIPES | 0.001 | 65,000 | 65 | PUC |
| 2010-11 | 20101018 | U S A | 73049000 | CARBON STEEL PIPES STOCK LOT | 0.001 | 22,000 | 22 | PUC |
| 2010-11 | 20101018 | U S A | 73049000 | CARBON STEEL PIPES STOCK LOT | 0.001 | 22,000 | 22 | PUC |
| 2010-11 | 20101014 | U S A | 73049000 | SECONDARY SECOND CHOICE CARBON STEEL SEAMLESS/WELDED PIPES | 0.001 | 22,000 | 22 | PUC |
| 2010-11 | 20101027 | CHINA P RP | 73049000 | SEAMLESS CARBON STEEL PIPES | 0.001 | 3,19,000 | 319 | PUC |
| 2010-11 | 20101004 | CHINA P RP | 73045910 | BOILER QUALITY COLD DRAWN SEAMLESS CARBON AND ALLOY STEEL TUBES DIAMETER 44.5M | 0.001 | 2,76,000 | 276 | PUC |
| 2010-11 | 20101008 | CHINA P RP | 73049000 | SECONDARY CARBON STEEL SEAMLESS PIPES IN MIXED | 0.001 | 69,000 | 69 | PUC |
| 2010-11 | 20101130 | SPAIN | 73043911 | 73043911 TUBES(CARBON STEEL)TO SPEC.SA 210-07 | 2,096.00 | 83,133 | 17,42,46,160 | PUC |
| 2010-11 | 20101115 | JAPAN | 73041190 | C.S SEAMLESS LINE PIPE (NACE & NON NACE) FOR SUBMARINE PIPE LINE 273.1MM ODX1 | 1,920.69 | 81,028 | 15,56,29,690 | PUC |
| 2010-11 | 20101129 | CHINA P RP | 73043911 | SEAMLESS CARBON STEEL HOLLOWES (TO SPEC SA 210)(54 * 10.5 * 10600MM) | 1,409.00 | 46,538 | 6,55,72,743 | PUC |
| 2010-11 | 20101129 | CHINA P RP | 73043911 | SEAMLESS CARBON STEEL SEAMLESS (TO SPEC SA 210) (60.3 - 70 -82.5 * 7.7 - 7.8 - | 1,020.00 | 46,475 | 4,74,04,128 | PUC |
| 2010-11 | 20101130 | CHINA P RP | 73043911 | SEAMLESS STEEL TUBES (GRADE 37MN) SIZE: 232 X 5.6 X 6100MM | 1,005.00 | 40,274 | 4,04,75,237 | PUC |
| 2010-11 | 20101101 | CHINA P RP | 73043911 | HOT FINISHED SEAMLESS ST | 1,001.00 | 65,876 | 6,59,42,369 | PUC |
| 2010-11 | 20101112 | CHINA P RP | 98010013 | SEAMLESS CARBON STEEL PIPES TO SPEC SA 106 S37/22/2010 CIF RS.20334240 | 756.00 | 55,070 | 4,16,32,978 | PUC |
| 2010-11 | 20101130 | CHINA P RP | 73043119 | HFS CARBON STEEL TUBES CONF. TO SPECN. SA 210 GRADE A1 (SIZE: 63.5 X 5.6 X 1120 | 685.76 | 49,971 | 3,42,68,428 | PUC |
| 2010-11 | 20101117 | CHINA P RP | 73043119 | TUBES.GRADE:SA210 GR A1,OD.51MM X 4MM X 10-11.8MTR(6057 NOS - 65623.73 MTR X \$4 | 561.00 | 42,099 | 2,36,17,762 | PUC |
| 2010-11 | 20101129 | FRANCE | 73043911 | HOT FINISHED SEAMLESS CARBON STEEL TUBES TO SPEC SA 210 | 553.00 | 68,963 | 3,81,36,684 | PUC |
| 2010-11 | 20101126 | CHINA P RP | 73043911 | SEAMLESS STEEL TUBES (GRADE 37MN) SIZE: 232 X 5.6 X 3050MM | 531.35 | 43,255 | 2,29,83,535 | PUC |
| 2010-11 | 20101103 | CHINA P RP | 98010013 | PROJECT SEAMLESS CARBON STEEL PIPES(TOSPEC SA106)CIF.RS.36160713 | 524.00 | 67,950 | 3,56,05,708 | PUC |
| 2010-11 | 20101101 | CHINA P RP | 73043911 | SEAMLESS STEEL TUBES (34CRM04) SIZE: 267MM X 6.5MM | 488.02 | 48,958 | 2,38,92,526 | PUC |
| 2010-11 | 20101123 | ITALY | 73069090 | SEAMLESS COLD DRAWN TUBES (SIZE: 158.00X140.00X****MM) | 415.28 | 50,298 | 2,08,88,109 | PUC |
| 2010-11 | 20101124 | SPAIN | 98010013 | CARBON STEEL TUBES TO SPEC SA 210-07 S37/22/10 CIF RS.28338728 | 407.00 | 69,628 | 2,83,38,712 | PUC |
| 2010-11 | 20101124 | SPAIN | 98010013 | CARBON STEEL TUBES TO SPEC SA 210-07 S37/25/2010 CIF RS.26430242 | 382.00 | 69,189 | 2,64,30,242 | PUC |
| 2010-11 | 20101108 | CHINA P RP | 73049000 | CARBON STEEL SEAMLESS PIPES AS PER ASTM A106 GR.B/API 5L GR.B/A53 GR B | 311.00 | 31,530 | 98,05,689 | PUC |
| 2010-11 | 20101112 | CHINA P RP | 73045910 | SEAMLESS ALLOY STEEL PIPESOD 44.50X7.10X12150 | 296.00 | 96,819 | 2,86,58,463 | PUC |
| 2010-11 | 20101122 | CHINA P RP | 73049000 | CARBON STEEL SEAMLESS PIPES ASTM A 106 GRADE B/API 5L GR.B | 285.00 | 28,978 | 82,58,696 | PUC |

**Import Data from DGCIS [All Countries PUC]
Apr 2009 to Jun 2012**

| Year | Date | Country | ITC-HS | Item-Des | Quantity (MT) | Price (Rs./MT) | Value (Rs) | PUC/ NPUC |
|---------|----------|-------------|----------|--|---------------|----------------|-------------|--------------|
| 2010-11 | 20101101 | GERMANY | 73043119 | SEAMLESS TUBE HOLLOWS DIN 1630 ST 37.4 SIZE 30,000 X 2500 MM (RL 10,000.00 -12, | 281.55 | 47,467 | 1,33,64,337 | PUC |
| 2010-11 | 20101111 | CHINA P RP | 73045910 | SEAMLESS STEEL TUBES ASME SA-210M GR. A1 63.5 OD X 4.06 WT X 8500 LG | 269.28 | 51,749 | 1,39,34,905 | PUC |
| 2010-11 | 20101109 | CHINA P RP | 73045930 | HOT FINISHED/COLD DRAWN SEAMLESS CARBON ALLOY STEEL PIPES SIZE: 168.3 X 7.11 X | 263.00 | 42,203 | 1,10,99,495 | PUC |
| 2010-11 | 20101109 | CHINA P RP | 73045930 | HOT FINISHED/COLD DRAWN SEAMLESS CARBON ALLOY STEEL PIPES SIZE: 168.3 X 7.11 X | 259.00 | 42,855 | 1,10,99,496 | PUC |
| 2010-11 | 20101101 | CHINA P RP | 73043911 | HOT FINISHED SEAMLESS ST | 255.00 | 65,868 | 1,67,96,443 | PUC |
| 2010-11 | 20101111 | CHINA P RP | 73065000 | SEAMLESS STEEL TUBES SA210 GR. A1 63.5* MW 4.06* 11000 MM | 248.96 | 50,384 | 1,25,43,490 | PUC |
| 2010-11 | 20101101 | BELGIUM | 73049000 | SECONDARY CARBON SEAMLESS PIPE | 241.00 | 20,659 | 49,78,899 | PUC |
| 2010-11 | 20101115 | CHINA P RP | 73043919 | SEAMLESS CABRON STEEL PIPE AS PER API 5L GR.B/ASTM A106 GR.B.SIZE:8 SCH40 OD219 | 234.00 | 27,698 | 64,81,442 | PUC |
| 2010-11 | 20101130 | CHINA P RP | 73043119 | CARBON STEEL SEAMLESS LINE PIPES API 5L GR.B/ASTM A 106 GR.B SIZE:10 SCH 40 | 232.00 | 38,400 | 89,08,691 | PUC |
| 2010-11 | 20101126 | CHINA P RP | 73049000 | CARBON STEEL SEAMLESS PIPES ASTM A 106 GR.B/API 5L GR.B | 225.00 | 29,860 | 67,18,597 | PUC |
| 2010-11 | 20101123 | CHINA P RP | 73049000 | SEAMLESS CARBON STEEL PIPES (ASTM A106 GR B/API 5L GR B/API5L GR B) SIZE: 219.1 | 222.00 | 38,457 | 85,37,478 | PUC |
| 2010-11 | 20101124 | SPAIN | 73043911 | SEAMLESS CARBON STEEL TUBES TO SPEC SA 210 | 213.00 | 83,382 | 1,77,60,406 | PUC |
| 2010-11 | 20101118 | SWEDEN | 73049000 | SURPLUS (PRIME) NON ALLOY SEAMLESS TUBES -AS PER MILL TEST CERTIFICATE - ORDER | 211.00 | 41,119 | 86,76,076 | PUC |
| 2010-11 | 20101130 | CHINA P RP | 73049000 | PRIME CARBON STEEL SEAMLESS TUBES TO BS 3059 PART.II GR.360 (101.6*4.47*6100MM) | 210.00 | 49,283 | 1,03,49,494 | PUC |
| 2010-11 | 20101118 | CHINA P RP | 73041990 | ASTM A 106 GRADE B SEAMLESS PIPE | 210.00 | 43,326 | 90,98,388 | PUC |
| 2010-11 | 20101108 | SWEDEN | 73049000 | SECONDS AND DEFECTIVE SEAMLESS STEEL TUBES GRADE ST52-3 | 207.00 | 36,069 | 74,66,352 | PUC |
| 2010-11 | 20101120 | CHINA P RP | 73043119 | COLD DRAWN SEAMLESS CARBON STEEL TUBES ST 37.4 SIZE : 35X4.5 (8000-10000MM) | 204.00 | 46,487 | 94,83,409 | PUC |
| 2010-11 | 20101122 | UKRAINE | 73049000 | SECONDARY CARBON STEEL SEAMLESS PIPES MIXED SIZES | 198.00 | 21,890 | 43,34,264 | PUC |
| 2010-11 | 20101101 | CHINA P RP | 73043119 | PRIME CDS HOLLOW SEAMLESS TUBES 26X5X5200MM | 193.00 | 43,196 | 83,36,897 | PUC |
| 2010-11 | 20101115 | CHINA P RP | 73049000 | HOT FINISHED SEAMLESS STEEL TUBE GRADE 34CRM04 | 192.00 | 54,028 | 1,03,73,354 | PUC |
| 2010-11 | 20101123 | ITALY | 73041110 | SEAMLESS COLD DRAWN TUBES (SIZE: 155.00 X 130.00 X ****MM) | 190.19 | 31,078 | 59,10,650 | PUC |
| 2010-11 | 20101117 | CHINA P RP | 73043119 | TUBES.GRADE:SA210 GR A1,OD.51 MM X 4.MM X 10-11.8MTR(22 NOS - 227.36 MTR X \$4.7 | 188.00 | 42,422 | 79,75,296 | PUC |
| 2010-11 | 20101112 | CHINA P RP | 73041110 | CARBON STEEL SEAMLESS MOTHER PIPES (HOT FINISH) AS PER ASTMA106 GRADE B 48.3 MM | 175.00 | 40,332 | 70,58,091 | PUC |
| 2010-11 | 20101130 | NEW ZEALAND | 73049000 | SECONDARY DEFECTIVE CARBON STEEL SEAMLESS PIPES | 163.00 | 32,235 | 52,54,380 | PUC |
| 2010-11 | 20101124 | SPAIN | 98010013 | CARBON STEEL TUBES TO SPEC SA 210 S37/28/10 CIF RS.13416161 | 154.00 | 87,118 | 1,34,16,161 | PUC |
| 2010-11 | 20101125 | CHINA P RP | 73049000 | CARBON STEEL SEAMLESS PIPES AS PER ASTM A 106 GR.B./API 5L GR.B/A53 | 154.00 | 28,733 | 44,24,806 | PUC |
| 2010-11 | 20101111 | SAUDI ARAB | 73049000 | SECONDARY SECOND CARBON STEEL SEAMLESS/ WELDED PIPES MIXED THICKNESS MIXED LOT. | 153.00 | 16,164 | 24,73,110 | PUC |
| 2010-11 | 20101102 | CHINA P RP | 73049000 | CARBON STEEL SEAMLESS PIPE ASTM A106 GR.B 60.3X5.54X5000-7000 [AS PER INV/PACKI | 153.00 | 45,358 | 69,39,838 | PUC |
| 2010-11 | 20101102 | CHINA P RP | 73049000 | SEAMLESS CARBON STEEL PIPES (ASTM A106-B/API5LB PSL1) SIZE: 273 X 11 X 10-11.8 | 153.00 | 42,691 | 65,31,696 | PUC |
| 2010-11 | 20101130 | GERMANY | 73043119 | CARBON STEEL SEAMLESS PIPES (SECOND CHOICE) | 152.00 | 25,878 | 39,33,529 | PUC |
| 2010-11 | 20101103 | CHINA P RP | 98010013 | SEAMLESS CARNON STEEL PIPES TO SPEC SA106 S37/26/2010 CIF RS.8377420 | 152.00 | 55,115 | 83,77,420 | PUC |
| 2010-11 | 20101108 | MALAYSIA | 73049000 | SECONDARY CARBON STEEL SEAMLESS PIPE | 147.00 | 22,921 | 33,69,342 | PUC |
| 2010-11 | 20101123 | CHINA P RP | 73042990 | HOT FINISHED SEAMLESS CARBON NON-ALLOY PIPESR.B | 147.00 | 45,680 | 67,14,916 | PUC |
| 2010-11 | 20101101 | CHINA P RP | 73043119 | CARBON STEEL SEAMLESS TUBE ASME SA192(50.8X4.06X9300MM) | 146.00 | 48,040 | 70,13,912 | PUC |
| 2010-11 | 20101118 | CHINA P RP | 73041910 | COLD CARBON STEEL SEAMLE | 142.00 | 43,133 | 61,24,948 | PUC |
| 2010-11 | 20101129 | U S A | 73043129 | CARBON STEEL SEAMLESS PIPES STOCKLOT | 138.00 | 23,238 | 32,06,799 | PUC |
| 2010-11 | 20101123 | CHINA P RP | 73049000 | CARBON STEEL SEAMLESS LINE PIPES(API 5L GR.B/ASTM A106 GR.B) (8 * SCH40 AND S | 137.00 | 38,116 | 52,21,832 | PUC |
| 2010-11 | 20101124 | CHINA P RP | 73045110 | BEARING QUALITY STEEL TUBE SAE-52100 (63/22 OR) SIZE 56.8X5.8MM | 133.00 | 66,653 | 88,64,905 | PUC |
| 2010-11 | 20101127 | SAUDI ARAB | 73049000 | SECONDARY SECOND CARBON STEEL SEAMLESS/ WELDED PIPE FITTINGS MIXED THICKNESS | 131.00 | 16,272 | 21,31,585 | PUC |
| 2010-11 | 20101127 | SAUDI ARAB | 73049000 | SECONDARY SECOND CARBON STEEL SEAMLESS/ WELDED PIPES, MIXED THICKNESS MIXED LOT | 131.00 | 16,222 | 21,25,138 | PUC |
| 2010-11 | 20101125 | SAUDI ARAB | 73049000 | SECONDARY SECOND CARBON STEEL SEAMLESS / WELDED PIPES MIXED THICKNESS MIXED LO | 129.00 | 16,125 | 20,80,134 | PUC |

**Import Data from DGCIS [All Countries PUC]
Apr 2009 to Jun 2012**

| Year | Date | Country | ITC-HS | Item-Des | Quantity (MT) | Price (Rs./MT) | Value (Rs) | PUC/ NPUC |
|---------|----------|------------|----------|---|---------------|----------------|-------------|--------------|
| 2010-11 | 20101120 | SAUDI ARAB | 73049000 | SECONDARY SECOND CARBON STEEL SEAMLESS/ WELDED PIPES, MIXED THICKNESS MIXED LOT | 128.00 | 16,125 | 20,64,015 | PUC |
| 2010-11 | 20101112 | SAUDI ARAB | 73049000 | SECONDARY SECOND CARBON STEEL SEAMLESS/ WELDED PIPES MIXED THICKNESS MIXED LOT. | 127.00 | 16,206 | 20,58,212 | PUC |
| 2010-11 | 20101125 | SAUDI ARAB | 73049000 | SECONDARY SECOND CARBON STEEL SEAMLESS/ WELDED PIPES, MIXED THICKNESS MIXED LOT | 127.00 | 16,191 | 20,56,278 | PUC |
| 2010-11 | 20101105 | SAUDI ARAB | 73049000 | SECONDARY SECOND CARBON STEEL SEAMLESS/ WELDED PIPES, MIXED THICKNESS MIXED LOT | 127.00 | 16,142 | 20,49,992 | PUC |
| 2010-11 | 20101105 | SAUDI ARAB | 73049000 | SECONDARY SECOND CARBON STEEL SEAMLESS/ WELDED PIPES FITTINGS MIXED THICKNESS | 126.00 | 16,156 | 20,35,646 | PUC |
| 2010-11 | 20101119 | CHINA P RP | 73049000 | CARBON STEEL HOT ROLLED SEAMLESS TUBES GRADE ASTM A 106 GR.B | 126.00 | 28,698 | 36,15,895 | PUC |
| 2010-11 | 20101111 | SAUDI ARAB | 73049000 | SECONDARY SECOND CARBON STEEL SEAMLESS/ WELDED PIPES FITTINGS, MIXED THICKNESS | 125.00 | 16,219 | 20,27,425 | PUC |
| 2010-11 | 20101111 | CHINA P RP | 73045910 | SEAMLESS STEEL TUBES ASME SA-210M GR. A1 63.5 OD X 4.06 WT X 11000 LG | 124.91 | 51,873 | 64,79,248 | PUC |
| 2010-11 | 20101116 | BELGIUM | 73043919 | SECONDARY DEFETIVE SEAMLESS CARBON STEEL PIPES | 124.00 | 30,611 | 37,95,703 | PUC |
| 2010-11 | 20101112 | SAUDI ARAB | 73049000 | SECONDARY SECOND CARBON STEEL SEAMLESS/ WELDED PIPES MIXED THICKNESS MIXED LOT. | 122.00 | 16,164 | 19,71,976 | PUC |
| 2010-11 | 20101112 | SAUDI ARAB | 73049000 | SECONDARY SECOND CARBON STEEL SEAMLESS/ WELDED PIPES MIXED THICKNESS MIXED LOT. | 121.00 | 16,244 | 19,65,529 | PUC |
| 2010-11 | 20101118 | CHINA P RP | 73042400 | MS SEAMLESS PIPE 48.3MM X 5.5MM - 5.36 MTR - (3992 NOS - 21397.12 METRES) | 120.00 | 45,795 | 54,95,382 | PUC |
| 2010-11 | 20101125 | SAUDI ARAB | 73049000 | SECONDARY CARBON STEEL SEAMLESS/WELDED PIPES FITTINGS MIXED THICKNESS MIXED L | 119.00 | 16,154 | 19,22,330 | PUC |
| 2010-11 | 20101102 | CHINA P RP | 73041190 | CARBON STEEL TUBES 62512.8 MTRS (38.1MM OD X 2.11MM(MIN)WTX12200 LG) | 117.11 | 60,880 | 71,29,795 | PUC |
| 2010-11 | 20101118 | CHINA P RP | 73041910 | COLD CARBON STEEL SEAMLE | 117.00 | 43,499 | 50,89,363 | PUC |
| 2010-11 | 20101112 | CHINA P RP | 73049000 | CARBON STEEL SEAMLESS MOTHER PIPE (HOT FINISH) 38.1 X2.11 X4877 MM | 116.00 | 49,123 | 56,98,233 | PUC |
| 2010-11 | 20101113 | CHINA P RP | 73041910 | SEAMLESS STEEL TUBES & PIPE ASTM A 106 GRB SIZE140MM X 20MM | 116.00 | 29,590 | 34,32,406 | PUC |
| 2010-11 | 20101125 | SAUDI ARAB | 73049000 | SECONDARY SECOND CARBON STEEL SEAMLESS/ WELDED PIPES FITTINGS , MIXED THICKNESS | 114.00 | 16,344 | 18,63,223 | PUC |
| 2010-11 | 20101105 | SAUDI ARAB | 73049000 | SECONDARY SECOND CARBON STEEL SEAMLESS/ WELDED PIPE FITTING, MIXED THICKNESS MI | 114.00 | 16,270 | 18,54,792 | PUC |
| 2010-11 | 20101105 | SAUDI ARAB | 73049000 | SECONDARY SECOND CARBON STEEL SEAMLESS/ WELDED PIPES FITTING, MIXED THICKNESS M | 111.00 | 16,326 | 18,12,239 | PUC |
| 2010-11 | 20101129 | CHINA P RP | 73049000 | SECONDARY DEFECTIVE M.S SEAMLESS PIPE | 110.38 | 22,899 | 25,27,477 | PUC |
| 2010-11 | 20101109 | JAPAN | 73042390 | DRILL PIPE API-S135 OD 5 1/2 X 24.70 IB/FT X 31 FT-32FT X IEUE | 109.82 | 3,52,666 | 3,87,29,662 | PUC |
| 2010-11 | 20101111 | SAUDI ARAB | 73049000 | SECONDARY SECOND CARBON STEEL SEAMLESS/ WELDED PIPE FITTINGS, MIXED THICKNESS M | 107.00 | 16,271 | 17,40,993 | PUC |
| 2010-11 | 20101130 | CHINA P RP | 73049000 | CARBON SEAMLESS STEEL TUBES ASTM A 106 GRADE B 1 INCHES XXSX 5-6 M PLAIN ENDS(| 107.00 | 41,114 | 43,99,158 | PUC |
| 2010-11 | 20101120 | CHINA P RP | 73049000 | CARBON STEEL SEAMLESS PIPES ASTM A 106 GR.B/API 5L GR. B | 103.00 | 37,380 | 38,50,176 | PUC |
| 2010-11 | 20101103 | CHINA P RP | 73049000 | CARBON STEEL SEAMLESS PIPES API 5LB/ASTM A 106B/A53B | 103.00 | 28,764 | 29,62,704 | PUC |
| 2010-11 | 20101129 | BELGIUM | 73049000 | M.S.SEAMLESS PIPE SECONDARY SECOND CHOICE MIX | 102.00 | 22,703 | 23,15,661 | PUC |
| 2010-11 | 20101124 | CHINA P RP | 73049000 | SEAMLESS CARBON STEEL PIPES | 102.00 | 31,655 | 32,28,804 | PUC |
| 2010-11 | 20101102 | CHINA P RP | 73049000 | CARBON STEEL SEAMLESS PIPES GRADE A106 GRADE B | 102.00 | 28,579 | 29,15,016 | PUC |
| 2010-11 | 20101122 | CHINA P RP | 73049000 | CARBON STEEL SEAMLESS PIPES SECONDARY/DEFECTIVE | 102.00 | 22,993 | 23,45,316 | PUC |
| 2010-11 | 20101101 | UKRAINE | 73049000 | SECONDARY CARBON STEEL SEAMLESS PIPES MIXED SIZES | 101.00 | 21,715 | 21,93,190 | PUC |
| 2010-11 | 20101125 | CHINA P RP | 73049000 | CARBON STEEL SEAMLESS PIPES API 5LB / ASTM A 106B / A53B | 101.00 | 29,290 | 29,58,338 | PUC |
| 2010-11 | 20101130 | CHINA P RP | 73049000 | COLD DRAWN CARBON STEEL SEAMLESS STEEL PIPES ASTM A106GRADE B | 101.00 | 28,675 | 28,96,131 | PUC |
| 2010-11 | 20101118 | ROMANIA | 73049000 | SECONDARY CARBON STEEL SEAMLESS PIPES | 100.00 | 24,781 | 24,78,077 | PUC |
| 2010-11 | 20101130 | SAUDI ARAB | 73049000 | SECONDARY SECOND CARBON STEEL SEAMLESS/ WELDED PIPES MIXED THICKNESS MIXED LOT. | 100.00 | 16,182 | 16,18,168 | PUC |
| 2010-11 | 20101127 | GERMANY | 73049000 | CARBON STEEL SECONDARY DEFECTIVE SEAMLESS PIPES/TUBES | 99.00 | 25,419 | 25,16,499 | PUC |
| 2010-11 | 20101101 | CHINA P RP | 73043911 | SEAMLESS STEEL CYLINDER PIPE (JIS-G-3429-88 & 34CRM04) SIZE: 232MM X 5.4MM | 98.95 | 48,958 | 48,44,202 | PUC |
| 2010-11 | 20101108 | KUWAIT | 73049000 | SECONDARY SECOND CHOICE CARBON STEEL SEAMLESS PIPE MIX SIZE & MIX LOT | 98.00 | 23,199 | 22,73,516 | PUC |
| 2010-11 | 20101119 | CHINA P RP | 73041110 | C S SEAMLESS TUBE SA-179 31.75 X 2.77 X 12000 MM | 98.00 | 59,207 | 58,02,245 | PUC |
| 2010-11 | 20101124 | CHINA P RP | 73049000 | CARBON STEEL SEAMLESS PIPES CONFIRMING TO API 5L GR.B/ASTM A106 GR.B | 98.00 | 28,894 | 28,31,619 | PUC |
| 2010-11 | 20101125 | CHINA P RP | 73041190 | CARBON STEEL TUBES SA179 (25.4MMOD X 2.11MM(MIN)WTX12500 LG) | 97.80 | 75,849 | 74,18,427 | PUC |

**Import Data from DGCIS [All Countries PUC]
Apr 2009 to Jun 2012**

| Year | Date | Country | ITC-HS | Item-Des | Quantity (MT) | Price (Rs./MT) | Value (Rs) | PUC/ NPUC |
|---------|----------|------------|----------|---|---------------|----------------|-------------|--------------|
| 2010-11 | 20101105 | SAUDI ARAB | 73049000 | SECONDARY SECOND CARBON STEEL SEAMLESS/ WELDED PIPES FITTINGS, MIXED THICKNESS | 97.00 | 16,235 | 15,74,809 | PUC |
| 2010-11 | 20101123 | CHINA P RP | 98010013 | SEAMLESS CARBON STEEL PIPES(TO SPEC SA106)OD168.30X21.95X6000(S37/26/2010/GR6)(| 97.00 | 55,258 | 53,60,032 | PUC |
| 2010-11 | 20101116 | ECUADOR | 73043919 | SECONDARY CARBON STEEL SEAMLESS PIPE (INVOICE NO -WHWH100756-10/0338-01 DT 20 | 96.00 | 29,573 | 28,38,972 | PUC |
| 2010-11 | 20101122 | KUWAIT | 73043919 | SECONDARY SECOND CHOICE CARBON STEEL SEAMLESS PIPE MIX SIZEMIX LOT | 96.00 | 23,395 | 22,45,960 | PUC |
| 2010-11 | 20101115 | CHINA P RP | 73043119 | SEAMLESS LINE PIPES API5L GRB/ASTMA106 GRB/A53 B IBR WITH BV,BEWELD END,VARNISH | 96.00 | 36,672 | 35,20,514 | PUC |
| 2010-11 | 20101103 | CHINA P RP | 73043119 | SEAMLESS STEEL PIPES API 5L GR. B 42.5 X 5.5 X 5000-5800MM | 94.09 | 43,104 | 40,55,741 | PUC |
| 2010-11 | 20101110 | CHINA P RP | 73049000 | CARBON STEEL SEAMLESS PIPES ASTM A 106-B | 94.00 | 29,170 | 27,41,971 | PUC |
| 2010-11 | 20101120 | CHINA P RP | 73045110 | BEARING QUALITY STEEL TUBE SAE-52100 (6209 IR) SIZE 57.7X6.75MM | 93.00 | 66,914 | 62,22,996 | PUC |
| 2010-11 | 20101129 | CHINA P RP | 73043929 | CARBON STEEL SEAMLESS PIPES | 90.00 | 37,452 | 33,70,651 | PUC |
| 2010-11 | 20101130 | CHINA P RP | 73049000 | CARBON STEEL SEAMLESS PIPES AS PER ASTM 106 GR.B/API 5L GR.B/A53 GR.B | 90.00 | 29,258 | 26,33,246 | PUC |
| 2010-11 | 20101111 | CHINA P RP | 73065000 | SEAMLESS STEEL TUBES SA210 GR. A1 63.5*MW 4.5*11000MM | 88.99 | 50,831 | 45,23,210 | PUC |
| 2010-11 | 20101108 | U S A | 73049000 | CARBON STEEL SECONDARY DEFECTIVE SEAMLESS PIPE | 88.00 | 24,694 | 21,73,062 | PUC |
| 2010-11 | 20101126 | CHINA P RP | 73041910 | SEAMLESS PIPES | 88.00 | 42,102 | 37,04,980 | PUC |
| 2010-11 | 20101119 | UKRAINE | 73049000 | HOT-ROLLED SEAMLESS STEEL PIPES ACCORDING TO TU STEEL GRADE 20 (NI-0.09-MO- 0 | 87.00 | 34,115 | 29,68,033 | PUC |
| 2010-11 | 20101119 | CHINA P RP | 73043119 | CARBON STEEL SEAMLESS PIPES (82.5X12.5X5800MM) | 87.00 | 27,640 | 24,04,665 | PUC |
| 2010-11 | 20101118 | CHINA P RP | 73069090 | BEARING SEAMLESS STEEL TUBES - 6301 IR (17 BUNDLES) | 86.75 | 65,123 | 56,49,541 | PUC |
| 2010-11 | 20101111 | CHINA P RP | 73065000 | SEAMLESS SEEL TUBES SA210 GR. A1 76.2* MW 6.35* 10000 MM | 84.04 | 52,059 | 43,74,803 | PUC |
| 2010-11 | 20101113 | KOREA RP | 73049000 | SECONDARY DEFECTIVE M.S.PIPES OF MIX SIZES | 82.00 | 22,539 | 18,48,159 | PUC |
| 2010-11 | 20101124 | CHINA P RP | 73049000 | SEAMLESS CARBON STEEL PIPES | 81.00 | 31,583 | 25,58,245 | PUC |
| 2010-11 | 20101116 | CHINA P RP | 98010013 | SEAMLESS CARBON STEEL PIPE TO SPEC SA 106 S37/24/2010 CIF RS.15263034 | 79.00 | 1,93,203 | 1,52,63,034 | PUC |
| 2010-11 | 20101109 | JAPAN | 73049000 | ALLOY STEEL SEAMLESS STEEL TUBES O.D.56.55MMXW/TH.10.05MM | 77.15 | 1,02,424 | 79,02,135 | PUC |
| 2010-11 | 20101118 | GERMANY | 73049000 | STEEL TUBES 63.5 X 5.60 MM ASME SA-210 GR A-1 | 76.74 | 81,900 | 62,84,924 | PUC |
| 2010-11 | 20101112 | SAUDI ARAB | 73049000 | SECONDARY SECOND CARBON STEEL SEAMLESS/ WELDED PIPE FITTINGS, MIXED THICKNESS M | 76.00 | 16,412 | 12,47,274 | PUC |
| 2010-11 | 20101103 | CHINA P RP | 73049000 | CARBON STEEL SEAMLESS PIPES ASTM A 106-B | 76.00 | 29,620 | 22,51,157 | PUC |
| 2010-11 | 20101102 | GERMANY | 73043119 | SEAMLESS TUBE, 19.05 X 2413 MW, 12.400MM, 1364 MTRS, CARBON STEEL NON ALLOY SA3 | 75.63 | 2,52,605 | 1,91,05,051 | PUC |
| 2010-11 | 20101109 | CHINA P RP | 73045110 | BEARING QUALITY STEEL TUBE SAE-52100 & SUJ-3 (TMB6007IR) SIZE 44 X 4.9 MM | 75.00 | 71,556 | 53,66,719 | PUC |
| 2010-11 | 20101126 | CHINA P RP | 73049000 | SEAMLES CARBON STEEL PIPES (OD 219 X WT 22MM X 9.75) | 75.00 | 45,350 | 34,01,242 | PUC |
| 2010-11 | 20101125 | CHINA P RP | 73049000 | CARBON STEEL SEAMLESS TUBES AS PER GRADE 20 OD 27MM X WT 3 MM X LENGTH 11-11.8M | 75.00 | 38,616 | 28,96,204 | PUC |
| 2010-11 | 20101119 | CHINA P RP | 73049000 | SECONDARY DEFECTIVE M.S SEAMLESS PIPE | 74.76 | 22,899 | 17,11,952 | PUC |
| 2010-11 | 20101119 | CHINA P RP | 73049000 | SECONDARY DEFECTIVE M.S SEAMLESS PIPE | 74.76 | 22,899 | 17,11,906 | PUC |
| 2010-11 | 20101130 | CHINA P RP | 73043119 | HFS CARBON STEEL TUBES CONF. TO SPECN. SA 210 GRADE A1 (SIZE: 63.5 X 4 X 11200 | 74.04 | 48,936 | 36,23,425 | PUC |
| 2010-11 | 20101102 | CHINA P RP | 73049000 | CARBON STEEL SEAMLESS MOTHER PIPE 38.1 X 2.11 X 5486 AS PER INV/PACKING LIST [| 74.00 | 46,492 | 34,40,413 | PUC |
| 2010-11 | 20101104 | CHINA P RP | 73049000 | SEAMLESS CARBON STEEL PIPES | 74.00 | 31,847 | 23,56,653 | PUC |
| 2010-11 | 20101102 | CHINA P RP | 73043119 | CARBON STEEL SEAMLESS PIPES (114X8.5X5800MM) | 74.00 | 27,916 | 20,65,759 | PUC |
| 2010-11 | 20101120 | CHINA P RP | 73043919 | CARBON STEEL SEAMLESS TUBES(API5L/ASTM-A106) (O.D 26.7MM, W.T 5.56MM, LENGTH | 72.53 | 40,965 | 29,71,123 | PUC |
| 2010-11 | 20101109 | CHINA P RP | 73045910 | SEAMLESS CARBON STEEL TUBES SA210 GR.A1 76.2* MW6.35* 10000 MM | 72.50 | 41,367 | 29,99,272 | PUC |
| 2010-11 | 20101115 | CHINA P RP | 73043119 | TUBES OD.44.5MM X 7.10MM X 10-12MTR.GRADE.SA 210 GR C (122 PCS - 1305.4 MTRS / | 72.00 | 55,455 | 39,92,753 | PUC |
| 2010-11 | 20101119 | CHINA P RP | 73043911 | SEAMLESS MOTHER PIPES (ST52) | 71.40 | 42,240 | 30,16,106 | PUC |
| 2010-11 | 20101123 | JAPAN | 73049000 | SECONDARY ALLOY STEEL SEAMLESS PIPES IN MIXED SIZES/MIXED THICKNESS & MIXED LEN | 71.00 | 44,394 | 31,51,946 | PUC |
| 2010-11 | 20101123 | CHINA P RP | 73049000 | CARBON STEEL SEMLESS PIPES (SIZE: OD 88.9MM X WT 5.49MM X LENGHT 5-7M) | 71.00 | 40,969 | 29,08,774 | PUC |
| 2010-11 | 20101102 | CHINA P RP | 73045110 | COLD DRAWN SEAMLESS CARBON STEEL TUBES ASTM A 519 GRADE 37MN5 (SIZE: 117.50 X 8 | 70.00 | 48,929 | 34,25,000 | PUC |

**Import Data from DGCIS [All Countries PUC]
Apr 2009 to Jun 2012**

| Year | Date | Country | ITC-HS | Item-Des | Quantity (MT) | Price (Rs./MT) | Value (Rs) | PUC/ NPUC |
|---------|----------|-------------|----------|---|---------------|----------------|------------|--------------|
| 2010-11 | 20101124 | CHINA P RP | 73043119 | CARBON STEEL SEAMLESS LINE PIPES API 5L GR.B/ASTM A106 GR,B IBR WITH BV SIZE :8 | 70.00 | 37,203 | 26,04,234 | PUC |
| 2010-11 | 20101122 | CHINA P RP | 73041190 | CS TUBES (25.4MM OD X 2.41MM(MIN)WT X 10500 LG) | 67.47 | 60,442 | 40,77,967 | PUC |
| 2010-11 | 20101130 | CHINA P RP | 73043119 | CARBON STEEL SEAMLESS PIPES (88.9X5.49X5800MM) | 67.00 | 30,912 | 20,71,119 | PUC |
| 2010-11 | 20101130 | SPAIN | 73043911 | 73043911 TUBES (CARBON STEEL)TO SPEC.SA 210-07 | 64.00 | 81,372 | 52,07,818 | PUC |
| 2010-11 | 20101104 | CHINA P RP | 73045110 | BEARING QUALITY STEEL TUBE SAE-52100 & SUJ-3 (TMB6203A/420R) SIZE:42.7X4.75MM | 62.00 | 77,451 | 48,01,983 | PUC |
| 2010-11 | 20101110 | CHINA P RP | 73049000 | HFS TUBE | 62.00 | 52,089 | 32,29,544 | PUC |
| 2010-11 | 20101103 | CHINA P RP | 73043919 | CARBON STEEL SEAMLESS TUBES (SIZE 25 MM OD X 2.7 MM WT X 5000 -5800 MTR LENGTH | 60.00 | 54,410 | 32,64,607 | PUC |
| 2010-11 | 20101109 | CHINA P RP | 73049000 | CARBON STEEL SEAMLESS PIPES | 58.62 | 33,226 | 19,47,708 | PUC |
| 2010-11 | 20101118 | BELGIUM | 73049000 | CARBON STEEL SECONDARY PRECISION ERW PIPES | 55.00 | 31,297 | 17,21,311 | PUC |
| 2010-11 | 20101118 | CHINA P RP | 73043929 | CARBON STEEL SEAMLESS PIPES AS PER ASTM A106 GR. B | 54.00 | 30,705 | 16,58,065 | PUC |
| 2010-11 | 20101119 | CHINA P RP | 73049000 | CARBON STEEL SEAMLESS PIPE | 53.00 | 28,908 | 15,32,142 | PUC |
| 2010-11 | 20101111 | SWEDEN | 73049000 | SECONDS AND DEFECTIVE SEAMLESS STEEL TUBES GRADE ST52-3 | 52.00 | 34,558 | 17,97,009 | PUC |
| 2010-11 | 20101110 | KUWAIT | 73049000 | SECONDARY SECOND CHOICE CARBON STEEL SEAMLESS PIPE MIX SIZE& MIXED LOT | 52.00 | 23,290 | 12,11,091 | PUC |
| 2010-11 | 20101120 | CHINA P RP | 73045110 | BEARING QUALITY STEEL TUBE SAE-52100(BB1063 OR) SIZE 62.6X5.4MM | 52.00 | 72,087 | 37,48,530 | PUC |
| 2010-11 | 20101126 | CHINA P RP | 73041910 | SEAMLESS CARBON STEEL PIPE API 5CT J55 - 97.25*10.08*5-7M | 52.00 | 44,025 | 22,89,318 | PUC |
| 2010-11 | 20101101 | GERMANY | 73043119 | SEAMLESS TUBE HOLLOWS DIN 1630 ST 37.4 SIZE 30,000 X 2, 500 MM (RL 10,000.00 -1 | 51.00 | 47,819 | 24,38,744 | PUC |
| 2010-11 | 20101130 | CHINA P RP | 73049000 | CARBON STEEL SEAMLESS PIPES AS PER ASTM A106 GR.B/API 5L GR.B/A53 GR.B | 51.00 | 32,043 | 16,34,203 | PUC |
| 2010-11 | 20101103 | CHINA P RP | 73049000 | CARBON STEEL SEAMLESS PIPES ASTM A 106 GRADE B | 51.00 | 29,875 | 15,23,649 | PUC |
| 2010-11 | 20101111 | CHINA P RP | 73042990 | NON ALLOY STEEL SEAMLESS PIPES API 5L GRADE B 141.3MMX9.53MM | 50.00 | 45,537 | 22,76,828 | PUC |
| 2010-11 | 20101125 | CHINA P RP | 73041910 | SEAMLESS PIPE AS PER API 5L/ASTM A 106 GR.B 5, 6 SCH 40 141.3, 168.3X9.53, 7.1 | 50.00 | 43,830 | 21,91,519 | PUC |
| 2010-11 | 20101118 | CHINA P RP | 73041910 | CARBON STEEL SEAMLESS PI | 50.00 | 43,448 | 21,72,412 | PUC |
| 2010-11 | 20101118 | CHINA P RP | 73042990 | CARBON STEEL SEAMLESS PI | 50.00 | 42,000 | 21,00,001 | PUC |
| 2010-11 | 20101108 | CHINA P RP | 73049000 | CARBON STEEL SEAMLESS PIPE API 5L/ASTM A106 GR.B | 50.00 | 36,532 | 18,26,604 | PUC |
| 2010-11 | 20101123 | JAPAN | 73049000 | ALLOY STEEL SEAMLESS STEEL TUBES O.D.47.55MMXW/TH6.35MM | 49.46 | 1,73,169 | 85,65,759 | PUC |
| 2010-11 | 20101102 | GERMANY | 73049000 | SECONDARY PRECISION CARBON ERW PIPES | 49.00 | 28,489 | 13,95,982 | PUC |
| 2010-11 | 20101111 | GERMANY | 73049000 | CARBON STEEL SECONDARY DEFECTIVE SEAMLESS PIPES | 49.00 | 25,601 | 12,54,465 | PUC |
| 2010-11 | 20101120 | CHINA P RP | 73041990 | ASTM A 106 GRADE B SEAMLESS PIPES 63 MTR,OD 324.00MM ,THK 17.48MM | 49.00 | 46,527 | 22,79,844 | PUC |
| 2010-11 | 20101116 | CHINA P RP | 73042990 | NON ALLOY STEEL SEAMLESS PIPES API 5L GRADE B 141.30MMX9.53MM | 49.00 | 45,770 | 22,42,729 | PUC |
| 2010-11 | 20101130 | CHINA P RP | 73043119 | CARBON STEEL SEAMLESS PIPE (SIZE : 8 X SCH40 X 5800MM) | 49.00 | 43,433 | 21,28,212 | PUC |
| 2010-11 | 20101115 | ITALY | 73041190 | SEAMLESS COLD DRAWN STEEL TUBES CYLINDERS ACCORDING 202,00X--X21,00MM | 48.22 | 1,03,325 | 49,82,735 | PUC |
| 2010-11 | 20101110 | KUWAIT | 73049000 | SECONDARY SECOND CHOICE CARBON STEEL SEAMLESS PIPE MIX SIZEMIXED LOT | 48.00 | 23,591 | 11,32,358 | PUC |
| 2010-11 | 20101110 | KUWAIT | 73049000 | SECONDARY SECOND CHOICE CARBON STEEL SEAMLESS PIPE MIX SIZE& MIXED LOT | 48.00 | 23,157 | 11,11,518 | PUC |
| 2010-11 | 20101101 | CHINA P RP | 73043119 | SEAMLESS STEEL PIPES API 5L GR. B 44.5 X 5.5 X 5000-5800MM | 46.67 | 42,520 | 19,84,508 | PUC |
| 2010-11 | 20101123 | U K | 73049000 | SEAMLESS STEEL TUBES BK# 45 20.00+0.15X14.25+0.15 | 46.00 | 48,845 | 22,46,860 | PUC |
| 2010-11 | 20101102 | U S A | 73049000 | M.S.SECONDARY/DEFECTIVE PIPES | 46.00 | 20,464 | 9,41,337 | PUC |
| 2010-11 | 20101123 | CHINA P RP | 98010013 | SEAMLESS CARBON STEEL PIPES (TO SPEC SA 106)(OD 219.10 X 40.00 X 5500)(S37/25/2 | 46.00 | 92,428 | 42,51,694 | PUC |
| 2010-11 | 20101124 | CHINA P RP | 73042990 | NON ALLOY STEEL SEAMLESS PIPES API 5L GRADE B 101.6MMX7.5MM | 46.00 | 44,312 | 20,38,335 | PUC |
| 2010-11 | 20101111 | CHINA P RP | 73065000 | SEAMLESS STEEL TUBES SA210 GR.A1 63.5*MMW 4.06*11100 MM | 44.00 | 56,812 | 24,99,780 | PUC |
| 2010-11 | 20101109 | GERMANY | 73043911 | SEAMLESS CARBON STEEL TUBES(51.000 X 11.000MM) | 44.00 | 63,517 | 27,94,742 | PUC |
| 2010-11 | 20101112 | U ARAB EMTS | 73041910 | MS SECONDORY PIPE (MILD STEEL) | 44.00 | 18,273 | 8,04,032 | PUC |
| 2010-11 | 20101129 | CHINA P RP | 73069090 | SEMIFINISHED TUBES(30*20*1.2MM*5.8MM)-MILD STEEL | 44.00 | 40,503 | 17,82,150 | PUC |

**Import Data from DGCIS [All Countries PUC]
Apr 2009 to Jun 2012**

| Year | Date | Country | ITC-HS | Item-Des | Quantity (MT) | Price (Rs./MT) | Value (Rs) | PUC/ NPUC |
|---------|----------|-------------|----------|---|---------------|----------------|------------|--------------|
| 2010-11 | 20101103 | U S A | 73049000 | SECONDARY/DEFECTIVE CARBON STEEL SEAMLESS PIPES | 43.00 | 22,622 | 9,72,741 | PUC |
| 2010-11 | 20101115 | CHINA P RP | 73049000 | CARBON STEEL SEAMLESS PIPES API 5LB/ASTM A106B/A53B | 43.00 | 28,778 | 12,37,458 | PUC |
| 2010-11 | 20101104 | GERMANY | 73049000 | CARBON STEEL SEAMLESS PIPE SECONDARY DEFECTIVE | 42.00 | 23,267 | 9,77,210 | PUC |
| 2010-11 | 20101110 | CHINA P RP | 73049000 | HOT ROLLED AISI 1340 GRADE SEAMLESS TUBES FOR HEAVY WALL DRILL PIPE USE (SIZE & | 42.00 | 78,214 | 32,84,970 | PUC |
| 2010-11 | 20101124 | CHINA P RP | 73049000 | COLD DRAWN SEAMLESS CARBON STEEL TUBES(42.70X4.70X4200 MM) | 42.00 | 45,866 | 19,26,357 | PUC |
| 2010-11 | 20101110 | CHINA P RP | 73043919 | CARBON STEEL SEAMLESS TUBES AS PER ASTM A 179 (OD 42.0 MM XTHK 3.0 MM X LENGTH | 41.68 | 39,334 | 16,39,388 | PUC |
| 2010-11 | 20101111 | CHINA P RP | 73045120 | COLD DRAWN READY TO HONE PRECISION TUBE (110X159MM (FINISH 150) | 40.89 | 19,807 | 8,09,907 | PUC |
| 2010-11 | 20101125 | JAPAN | 73049000 | SEAMLESS ALLOY STEEL TUBES JIS G3441 SCM415TK 32.80MMODX24.60MMIDX5M | 40.87 | 1,42,028 | 58,04,397 | PUC |
| 2010-11 | 20101116 | U S A | 73049000 | CARBON STEEL SEAMLESS PIPES STOCKLOT. | 40.00 | 19,694 | 7,87,773 | PUC |
| 2010-11 | 20101101 | CHINA P RP | 73049000 | CARBON STEEL SEAMLESS PIPES (ASTM API 5L / A 106 GR.B) (8 NB X SCH100) | 40.00 | 38,438 | 15,37,538 | PUC |
| 2010-11 | 20101120 | CHINA P RP | 73043119 | CARBON STEEL SEAMLESS PIPES (3 1/2X40X5800MM) | 40.00 | 27,604 | 11,04,163 | PUC |
| 2010-11 | 20101027 | MALAYSIA | 73041910 | SEAMLESS STEEL PIPES AS PER DIN 1629 ST 52 (OD:133MM,WT:4.5MM ,LENGTH 6 M)(427 | 39.00 | 35,510 | 13,84,880 | PUC |
| 2010-11 | 20101101 | U S A | 73049000 | SECONDARY SECOND CARBON STEEL SEAMLESS / WELDED PIPES MIXED THICKNESS MIXED LO | 39.00 | 23,464 | 9,15,090 | PUC |
| 2010-11 | 20101123 | CHINA P RP | 73043929 | COLD DRAWN STEEL TUBE FOR MFR OF HYD CYLINDER (82X6.25X5155MMM) | 39.00 | 65,769 | 25,64,975 | PUC |
| 2010-11 | 20101104 | CHINA P RP | 73045110 | BEARING QUALITY STEEL TUBE SAE-52100 (6905 IR) SIZE 30.9X3.3MM | 39.00 | 61,039 | 23,80,506 | PUC |
| 2010-11 | 20101112 | CHINA P RP | 73049000 | PRIME CARBON STEEL SEAMLESS PIPES TO ASTM A 106 GR. B | 39.00 | 30,655 | 11,95,557 | PUC |
| 2010-11 | 20101108 | CHINA P RP | 73045110 | BEARING QUALITY STEEL TUBE SAE-52100 (6308 IR) SIZE 55.23X39.70MM | 37.25 | 60,492 | 22,53,026 | PUC |
| 2010-11 | 20101111 | U ARAB EMTS | 73049000 | M. S. SECONDARY DEFECTIVE SEAMLESS PIPE | 37.00 | 25,298 | 9,36,015 | PUC |
| 2010-11 | 20101120 | CHINA P RP | 73041990 | ASTM A 106 GRADE B SEAMLESS PIPES 8 MTR,OD 508.00 MM,THK 9.50 MM | 33.00 | 49,596 | 16,36,666 | PUC |
| 2010-11 | 20101122 | CHINA P RP | 73043119 | SKIVED AND BURNISHED TUBES(ID-125MM X OD-140MM.) | 31.53 | 45,604 | 14,37,788 | PUC |
| 2010-11 | 20101112 | CHINA P RP | 73045110 | STEEL TUBE DIA 4.76 0.55MM WITH ZINC COATED | 31.42 | 67,205 | 21,11,422 | PUC |
| 2010-11 | 20101124 | SPAIN | 73045910 | SEAMLESS ALLOY STEEL TUBES TO SPEC SA 106 | 29.00 | 1,04,286 | 30,24,288 | PUC |
| 2010-11 | 20101111 | CHINA P RP | 73043139 | HYDRAULIC CYLINDER TUBE SIZE : 130 X 115CM | 28.35 | 52,745 | 14,95,573 | PUC |
| 2010-11 | 20101119 | BELGIUM | 73049000 | SECONDARY CARBON STEEL SEAMLESS PIPES MIXED SIZES. | 27.94 | 27,533 | 7,69,278 | PUC |
| 2010-11 | 20101103 | CHINA P RP | 73043939 | HYDRAULIC CYLINDER HONED TUBE - 140*120 | 27.45 | 55,027 | 15,10,657 | PUC |
| 2010-11 | 20101129 | THAILAND | 73069090 | C.S.TUBES, SPEC: STKM13C OD51.9 X ID45.9 X WT3.0 X L291.5MM | 27.14 | 58,410 | 15,85,419 | PUC |
| 2010-11 | 20101119 | U ARAB EMTS | 73049000 | M. S. SECONDARY SECOND CHOICE SEAMLESS PIPE | 27.00 | 25,397 | 6,85,720 | PUC |
| 2010-11 | 20101123 | CHINA P RP | 73043931 | SEAMLESS CARBON STEEL PIPES (TO SPEC SA 106)OD 88.90 X 11.13 X 6000) | 27.00 | 55,323 | 14,93,724 | PUC |
| 2010-11 | 20101111 | CHINA P RP | 73043119 | SEAMLESS CARBON STEEL PIPES API 5L / ASTM A106 GR. B : 88.9MM X 5.49MM (430 PCS | 26.47 | 40,320 | 10,67,114 | PUC |
| 2010-11 | 20101125 | U ARAB EMTS | 73049000 | M S PIPE | 26.00 | 29,059 | 7,55,541 | PUC |
| 2010-11 | 20101101 | U ARAB EMTS | 73049000 | CARBON STEEL SECONDARY SEAMLESS / WELDED PIPES MIXED LOT | 26.00 | 18,511 | 4,81,294 | PUC |
| 2010-11 | 20101112 | CHINA P RP | 73041990 | CARBON STEEL SEAMLESS PIPES AS PER ASTM A106/API 5L GRB 88.9X5.49X5800 (82 PCS) | 26.00 | 40,370 | 10,49,616 | PUC |
| 2010-11 | 20101119 | CHINA P RP | 73049000 | CARBON STEEL PIPE ASTMA106 GRB 31.8MM*3.5MM*5M | 25.92 | 38,782 | 10,05,221 | PUC |
| 2010-11 | 20101125 | CHINA P RP | 73045110 | COLD DRAWN CARBON STEEL SEAMLESS MOTHER TUBES (MOTHER HOLLOW) DIN17175 ST35,8 | 25.88 | 42,655 | 11,03,826 | PUC |
| 2010-11 | 20101101 | CHINA P RP | 73049000 | BOILER TUBES SIZE:47.6 X3.60 X 6100 | 25.53 | 86,124 | 21,98,401 | PUC |
| 2010-11 | 20101126 | CHINA P RP | 73041190 | CARBON STEEL TUBES SA 179 (38.1MMOD X 2.11MM(MIN)WTX12200LG) 10418.80 METER | 25.05 | 59,540 | 14,91,455 | PUC |
| 2010-11 | 20101124 | ITALY | 73049000 | SECONDARY SEAMLESS CARBON STEEL PIPES | 25.00 | 36,333 | 9,08,333 | PUC |
| 2010-11 | 20101108 | BELGIUM | 73049000 | M.S.SEAMLESS PIPE SECONDARY SECOND CHOICE MIX | 25.00 | 23,027 | 5,75,672 | PUC |
| 2010-11 | 20101119 | ITALY | 73049000 | M.S.LOW CARBONSEAMLESS PIPE MIXED SECOND DEFECTIVE | 25.00 | 22,354 | 5,58,853 | PUC |
| 2010-11 | 20101124 | CHINA P RP | 73049000 | SEAMLESS PIPE ACC TO API 5L/ASTM A106 GR.B- SIZE OD (MM)-193,WT(MM)6.35,LENGTH | 25.00 | 40,476 | 10,11,907 | PUC |
| 2010-11 | 20101129 | CHINA P RP | 73049000 | CARBON STEEL SEAMLESS PIPES ASTM A 106-B (168.3MM X 22 MM) | 25.00 | 29,540 | 7,38,499 | PUC |

**Import Data from DGCIS [All Countries PUC]
Apr 2009 to Jun 2012**

| Year | Date | Country | ITC-HS | Item-Des | Quantity (MT) | Price (Rs./MT) | Value (Rs) | PUC/ NPUC |
|---------|----------|-------------|----------|---|---------------|----------------|------------|--------------|
| 2010-11 | 20101115 | CHINA P RP | 73049000 | CARBON STEEL SEAMLESS PIPES API 5LB/ASTM A106B/A53B | 25.00 | 29,444 | 7,36,092 | PUC |
| 2010-11 | 20101108 | CHINA P RP | 73049000 | CARBON STEEL SEAMLESS PIPES ASTM A106 GR.B/ASTM A53 GR.B/API5L GR.B | 25.00 | 28,296 | 7,07,407 | PUC |
| 2010-11 | 20101111 | CHINA P RP | 73049000 | SEAMLESS CARBON STEEL PIPES API 5L / ASTM A106 GR. B : 60.3MM X 3.91MM (694 PCS | 24.87 | 41,128 | 10,22,658 | PUC |
| 2010-11 | 20101101 | CHINA P RP | 73049000 | SEAMLESS STEEL TUBES BK 5 TO 5.8 METER 30.00 MMX6.8 MM | 24.00 | 51,860 | 12,44,628 | PUC |
| 2010-11 | 20101103 | CHINA P RP | 73049000 | SEAMLESS CARBON STEEL PIPES (ASTM A106-B/API5LB PSL1) SIZE: 168.3 X 8 X 10-11. | 24.00 | 44,784 | 10,74,820 | PUC |
| 2010-11 | 20101125 | CHINA P RP | 73049000 | SEAMLESS PIPE ACC TO API 5L/ASTM A106 GR.B 6SCH40,OD WT (MM) 7.11 168MM LENGTH | 24.00 | 39,257 | 9,42,176 | PUC |
| 2010-11 | 20101124 | CHINA P RP | 73049000 | SEAMLESS CARBON STEEL PIPE | 24.00 | 29,985 | 7,19,632 | PUC |
| 2010-11 | 20101110 | JAPAN | 73045910 | CARBON STEEL SEAMLESS PIPES ASME SA106C 114.30 OD X 11.13 MM WT X 6000 LG | 23.62 | 82,120 | 19,40,001 | PUC |
| 2010-11 | 20101119 | U ARAB EMTS | 73043119 | SEAMLESS STEEL PIPES API 5L GR. B 42.5 X 5.5 X 5000-5800MM | 23.39 | 43,104 | 10,08,375 | PUC |
| 2010-11 | 20101109 | CHINA P RP | 73045110 | ALLOY STEEL SEAMLESS TUBES SA210 GR. A1 57.15*MMW6.35*11500MM | 23.21 | 54,042 | 12,54,475 | PUC |
| 2010-11 | 20101116 | ITALY | 73069090 | DRAWN TUBES 73.00MM X 62.50MM X 5.25MM 401044072 | 23.02 | 82,698 | 19,03,698 | PUC |
| 2010-11 | 20101127 | CHINA P RP | 73041910 | CARBON STEEL SEAMLESS PIPES ASTM A 106/API 5L GR. B 44.45MMX5.10MMX5.8MTR | 23.00 | 47,641 | 10,95,751 | PUC |
| 2010-11 | 20101130 | CHINA P RP | 73041990 | SEAMLESS STEEL TUBING API 5CT :115.55MM X 15.25 L80 | 23.00 | 42,343 | 9,73,879 | PUC |
| 2010-11 | 20101109 | CHINA P RP | 73045110 | BEARING QUALITY STEEL TUBE -M SAE52100 30.5*3.0 | 22.69 | 68,473 | 15,53,642 | PUC |
| 2010-11 | 20101123 | CHINA P RP | 73049000 | SEAMLESS PIPES OF STEEL | 22.35 | 75,434 | 16,85,959 | PUC |
| 2010-11 | 20101111 | CHINA P RP | 73045910 | SEAMLESS STEEL TUBES ASME SA-210M GR. A1 50.8 OD X 4.06 WT X 10000 LG | 22.22 | 53,270 | 11,83,713 | PUC |
| 2010-11 | 20101122 | JAPAN | 73049000 | SECONDARY SEAMLESS CARBON STEEL PIPES | 22.00 | 36,129 | 7,94,846 | PUC |
| 2010-11 | 20101126 | CHINA P RP | 73049000 | CARBON STEEL SEAMLESS MOTHER PIPE 28X4.5X9250MM | 22.00 | 1,15,007 | 25,30,157 | PUC |
| 2010-11 | 20101102 | CHINA P RP | 73049000 | CARBON STEEL SEAMLESS PIPES AS PER ASTM A 106 GR.B | 22.00 | 29,103 | 6,40,271 | PUC |
| 2010-11 | 20101123 | ITALY | 73069090 | SEAMLESS COLD DRAWN TUBES (SIZE: 140.00 X 125.00 X ****MM) | 21.97 | 81,468 | 17,89,530 | PUC |
| 2010-11 | 20101103 | CHINA P RP | 73043939 | HYDRAULIC CYLINDER HONED TUBE - 100*85 | 21.58 | 64,611 | 13,94,428 | PUC |
| 2010-11 | 20101130 | CHINA P RP | 73043119 | SEAMLESS COLD DRAWN TUBES SAE52100/GCR15 (+/-10%)SIZE OD X WT IN MM 38.97 X 4.9 | 21.50 | 59,279 | 12,74,623 | PUC |
| 2010-11 | 20101111 | CHINA P RP | 73045110 | COLD DRAWN READY TO HONE PRECISION TUBE (90X105MM) | 21.21 | 38,082 | 8,07,915 | PUC |
| 2010-11 | 20101120 | BELGIUM | 73049000 | M.S.SEAMLESS PIPE SECONDARY SECOND CHOICE MIX | 21.00 | 23,809 | 4,99,986 | PUC |
| 2010-11 | 20101111 | CHINA P RP | 98010013 | SEAMLESS CARBON STEEL PIPES TO SPEC SA 106 S37/28/10 CIF RS.2163931 | 21.00 | 1,03,044 | 21,63,931 | PUC |
| 2010-11 | 20101124 | CHINA P RP | 73045110 | BEARING QUALITY STEEL TUBE SAE52100 & SUJ-3 (TMB6002 IR) SIZE 21X3.3MM | 21.00 | 78,306 | 16,44,428 | PUC |
| 2010-11 | 20101112 | CHINA P RP | 73049000 | SEAMLESS HOT- ROLLED STEEL TUBES SIZE 76 X 5.5 X 8500-9000MM | 21.00 | 44,513 | 9,34,772 | PUC |
| 2010-11 | 20101129 | CHINA P RP | 73049000 | CARBON STEEL SEAMLESS PIPES CONFIRMING TO ASTM A 106 GRADE B | 21.00 | 32,559 | 6,83,739 | PUC |
| 2010-11 | 20101119 | CHINA P RP | 73049000 | CARBON STEEL SEAMLESS PIPES ASTM A106-B | 21.00 | 29,362 | 6,16,609 | PUC |
| 2010-11 | 20101110 | CHINA P RP | 73049000 | ALLOY STEEL SEAMLESS TUBE 28.6X14 20 CR | 20.76 | 59,072 | 12,26,515 | PUC |
| 2010-11 | 20101102 | CHINA P RP | 73043119 | SEAMLESS COLD DRAWN TUBES SAE52100/GCR15(+/- 10 %)SIZE OD X WT IN MM 38.97 X 4. | 20.30 | 59,179 | 12,01,094 | PUC |
| 2010-11 | 20101118 | CHINA P RP | 73041990 | COLD DRAWN SEAMLES PIPES AND PRECISION WELDED TUBES | 20.25 | 55,496 | 11,23,802 | PUC |
| 2010-11 | 20101120 | ITALY | 73043911 | COLD DRAWN SEAMLESS STEEL TUBE136,00 X 8,00 X 1,00 E355 | 20.23 | 82,221 | 16,63,729 | PUC |
| 2010-11 | 20101123 | CHINA P RP | 73049000 | STEEL TUBES 19.7MM X14.5MM X2.60 MM | 20.23 | 1,07,760 | 21,79,769 | PUC |
| 2010-11 | 20101101 | U ARAB EMTS | 73049000 | CARBON STEEL SECONDARY SEAMLESS / WELDED PIPES MIXED LOT | 20.00 | 18,798 | 3,75,954 | PUC |
| 2010-11 | 20101102 | CHINA P RP | 73041190 | SEAMLESS STEEL PIPE (32MM*7MM*5.35M) | 20.00 | 37,716 | 7,54,320 | PUC |
| 2010-11 | 20101123 | GERMANY | 73045910 | CARBON STEEL TUBES ASME SA210M GR.A1 44.450 OD X 3.66 MIN WT X 5700LG | 19.94 | 1,13,127 | 22,56,146 | PUC |
| 2010-11 | 20101118 | CHINA P RP | 73069090 | CUT BLANK RINGS - 6202 OR CUT BLANKS OD35.55MMXID28.25MM TUBES MADE FROM SAE 5 | 19.86 | 1,07,110 | 21,27,314 | PUC |
| 2010-11 | 20101112 | CHINA P RP | 73069090 | CUT BLANK RINGS - 6203 IR CUT BLANKS OD25.15MMXID16.25MM - TUBES MADE FROM SA | 19.82 | 1,04,918 | 20,79,789 | PUC |
| 2010-11 | 20101027 | CHINA P RP | 73043139 | HYDRAULIC CYLINDER TUBE (140X125) | 19.55 | 76,471 | 14,95,089 | PUC |
| 2010-11 | 20101006 | CHINA P RP | 73043119 | STEEL HONED TUBES (OD 90 X ID 76 MM) NET WT 2770 KGS | 19.36 | 74,983 | 14,51,990 | PUC |

**Import Data from DGCIS [All Countries PUC]
Apr 2009 to Jun 2012**

| Year | Date | Country | ITC-HS | Item-Des | Quantity (MT) | Price (Rs./MT) | Value (Rs) | PUC/ NPUC |
|---------|----------|-------------|----------|---|---------------|----------------|------------|--------------|
| 2010-11 | 20101129 | CHINA P RP | 73049000 | CARBON STEEL SEAMLESS PIPES GRADE A106B (1-1/2 SCH40*6.02M) | 19.00 | 41,103 | 7,80,948 | PUC |
| 2010-11 | 20101124 | CHINA P RP | 73049000 | SEAMLESS CARBON STEEL PIPE | 19.00 | 37,614 | 7,14,664 | PUC |
| 2010-11 | 20101029 | CHINA P RP | 73043119 | SKIVED AND BURNISHED TUBES(ID-90MM X OD-105MM.) | 18.87 | 67,309 | 12,70,097 | PUC |
| 2010-11 | 20101102 | U S A | 73069090 | A519 COLD DRAWN SEAMLESS TUBING (SIZE: 146 OD X 108 ID) | 18.83 | 1,67,148 | 31,46,939 | PUC |
| 2010-11 | 20101116 | CHINA P RP | 73045110 | STEEL TUBE DIA 4.76 X 0.60 MM WITH COPPER COATED | 18.47 | 58,699 | 10,84,335 | PUC |
| 2010-11 | 20101112 | U S A | 73042310 | TUBING 4130 QT10-3/4 OD X 8-1/2 X 15.5 FT | 18.00 | 71,645 | 12,89,618 | PUC |
| 2010-11 | 20101122 | CHINA P RP | 73049000 | CARBON STEEL SEAMLESS PIPES STOCK LOT | 18.00 | 27,108 | 4,87,949 | PUC |
| 2010-11 | 20101130 | UNSPECIFIED | 73045930 | 6.060 X3.3.375 HOT ROLLED Q&T SMLS 4140/L80 ES MA 18 9 (S.B/NO.7388414 DT:12.0 | 18.00 | 1,52,831 | 27,50,800 | PUC |
| 2010-11 | 20101109 | U S A | 73063090 | (CARBON STEEL TUBING)A00243AR6707363 3 OD X .073MIN X 230.0 ALUM.EDDS C-1006 | 17.71 | 89,701 | 15,88,330 | PUC |
| 2010-11 | 20101006 | CHINA P RP | 73043139 | STEEL HONED TUBES (OD 245 X ID 200 MM) NET WT 8931 KGS | 17.54 | 79,762 | 13,98,827 | PUC |
| 2010-11 | 20101115 | ROMANIA | 98010013 | 98010013 SEAMLESS PIPES(C/S)(S37/25/10)TO SPEC.SA106-CIF | 17.00 | 1,78,617 | 30,36,494 | PUC |
| 2010-11 | 20101109 | GERMANY | 73043911 | SEAMLESS ALLOY STEEL TUBES38100 - 41300 X 8000MM - 8200MM | 17.00 | 1,20,764 | 20,52,987 | PUC |
| 2010-11 | 20101120 | CHINA P RP | 73049000 | CARBON STEEL SEAMLESS TUBES (GRADE: ST35) (STANDARD: DIN 2391) | 17.00 | 65,476 | 11,13,085 | PUC |
| 2010-11 | 20101124 | CHINA P RP | 73041910 | SEAMLESS CARBON STEEL PIPE (110MM X 8.5MM X 4.6M) | 17.00 | 44,740 | 7,60,575 | PUC |
| 2010-11 | 20101120 | CHINA P RP | 73045110 | BEARING QUALITY STEEL TUBE - SAE52100 : (SIZE : 60.6*7.3) | 16.68 | 56,574 | 9,43,824 | PUC |
| 2010-11 | 20101125 | ITALY | 73041110 | TUBE. RECTANGULAR TUBE 30X10X1.5 S235JR 30 X 10 X 1.50 840 PIECES PER LENGHT 6 | 16.07 | 82,971 | 13,33,506 | PUC |
| 2010-11 | 20101104 | CHINA P RP | 73041110 | SEAMLESS PIPE OD : 21.3 MM, WT : 3.73 MM, LENGTH : 5-11.8 (M) | 16.00 | 41,995 | 6,71,926 | PUC |
| 2010-11 | 20101103 | GERMANY | 73043939 | SEAMLESS HEAVY WALL TUBES EN 10210 STEEL GRADE S355J2HSIZE: 220X120X10MM 130 | 15.96 | 99,677 | 15,90,508 | PUC |
| 2010-11 | 20101127 | U S A | 73069090 | A519 COLD DRAWN SEAMLESS TUBING SRA (SIZE: 214 OD X 161.54 ID) | 15.80 | 1,47,469 | 23,29,361 | PUC |
| 2010-11 | 20101109 | CHINA P RP | 73045910 | HOT FINISHED/COLD DRAWN SEAMLESS ALLOY STEEL PIPES SIZE: 114.3X17.12X5-7M (73.1 | 15.00 | 95,510 | 14,32,653 | PUC |
| 2010-11 | 20101109 | CHINA P RP | 73045910 | HOT FINISHED/COLD DRAWN SEAMLESS ALLOY STEEL PIPES SIZE: 33.4X9.09X5-7M (560.6 | 15.00 | 80,848 | 12,12,720 | PUC |
| 2010-11 | 20101111 | CHINA P RP | 73045910 | SEAMLESS STEEL TUBES ASME SA-210M GR. A1 63.5 OD X 4.06 WT X 10000 LG | 14.86 | 51,959 | 7,71,960 | PUC |
| 2010-11 | 20101122 | CHINA P RP | 73043119 | SKIVED AND BURNISHED TUBES(ID-70MM X OD 83MM.) | 14.50 | 84,108 | 12,19,542 | PUC |
| 2010-11 | 20101120 | ROMANIA | 73043911 | SMLS STEEL PIPES HF ACC: TO:EN 10210 5460NH NBK NOT APPLICABLE OD: 48,30MM I 1, | 14.08 | 1,62,176 | 22,84,093 | PUC |
| 2010-11 | 20101029 | JAPAN | 73049000 | COLD DRAWAN SEAMLESS TUBE ITEM NO. RGPS031 12.4(+/-0.05) X 8.5(+/-0.1)MM GRADE | 13.76 | 2,66,446 | 36,66,835 | PUC |
| 2010-11 | 20101105 | SAUDI ARAB | 73049000 | SECONDARY SECOND CARBON STEEL SEAMLESS/ WELDED PIPES, MIXED THICKNESS MIXED LOT | 13.00 | 16,838 | 2,18,894 | PUC |
| 2010-11 | 20101126 | CHINA P RP | 73043911 | SEAMLESS STEEL TUBES (GRADE 37MN) SIZE: 232 X 5.6 X 10675MM | 11.37 | 40,186 | 4,56,829 | PUC |
| 2010-11 | 20101119 | UKRAINE | 73049000 | HOT-ROLLED SEAMLESS STEEL PIPES ACCORDING TO TU STEEL GRADE 20 (NI- 0.09 MO- | 11.00 | 34,036 | 3,74,395 | PUC |
| 2010-11 | 20101124 | CHINA P RP | 73045110 | BEARING QUALITY STEEL TUBE - SAE52100 (SIZE : 38.6*3.7) | 10.61 | 57,472 | 6,10,008 | PUC |
| 2010-11 | 20101110 | CHINA P RP | 73043919 | CARBON STEEL SEAMLESS TUBES AS PER ASTM A 179 (OD 42.0 MM XTHK 3.0 MM X LENGTH | 10.06 | 39,334 | 3,95,815 | PUC |
| 2010-11 | 20101129 | FRANCE | 73043931 | HOT FINISHED SEAMLESS CARBON STEEL PIPES (TO SPEC SA 106)(OD273-368MM X WT36.40 | 10.00 | 89,928 | 8,99,278 | PUC |
| 2010-11 | 20101123 | JAPAN | 73043911 | CS NACE SEAMLESS PIPES (ASTM A106 GR.B) SIZE: 8 | 10.00 | 86,097 | 8,60,968 | PUC |
| 2010-11 | 20101109 | GERMANY | 73043911 | CS NACE SEAMLESS PIPES (ASTM A106 GR.B) SIZE: 10 | 10.00 | 72,298 | 7,22,980 | PUC |
| 2010-11 | 20101125 | JAPAN | 73042990 | SMAMLESS STEEL CASING API 5CT L80 13 CR FOX (SIZE:7X26LBS XR3)(EC NO.ECIN201104 | 9.80 | 68,711 | 6,73,364 | PUC |
| 2010-11 | 20101111 | CHINA P RP | 73045110 | COLD DRAWN READY TO HONE PRECISION TUBE (73X12.50MM (73X48) | 9.74 | 54,880 | 5,34,464 | PUC |
| 2010-11 | 20101123 | JAPAN | 73042990 | SMLS NACE PIPE ASTM A 106 GR.B SIZE 4 | 9.70 | 1,05,265 | 10,20,864 | PUC |
| 2010-11 | 20101118 | CHINA P RP | 73043939 | SAE 52100 SEAMLESS PIPES SIZE: 29 .00 MM X 22.00 MM X 3.50 MM | 9.67 | 58,346 | 5,64,085 | PUC |
| 2010-11 | 20101120 | CHINA P RP | 73045110 | BEARING QUALITY STEEL TUBE - SAE52100 : (SIZE - 38.6*4.5) | 9.30 | 52,380 | 4,87,131 | PUC |
| 2010-11 | 20101001 | CHINA P RP | 73043139 | STEEL HONED TUBES (OD 253XID 225 MM) NT.WT. 3129 KGS | 9.08 | 95,474 | 8,66,905 | PUC |
| 2010-11 | 20101110 | ARGENTINA | 73041190 | 39 PCS SEAMLESS CARBON STEEL PIPE(SIZE: OD114.3 MM X WT-7.50MM) SPACE CERT.NO:2 | 9.05 | 99,883 | 9,03,982 | PUC |
| 2010-11 | 20101104 | CHINA P RP | 73041910 | SEAMLESS STEEL TUBE GRADE:SAE52100/GCR15 (SIZE:55.0X41.0X7.0MM) | 9.05 | 55,214 | 4,99,414 | PUC |

**Import Data from DGCIS [All Countries PUC]
Apr 2009 to Jun 2012**

| Year | Date | Country | ITC-HS | Item-Des | Quantity (MT) | Price (Rs./MT) | Value (Rs) | PUC/ NPUC |
|---------|----------|-------------|----------|---|---------------|----------------|------------|--------------|
| 2010-11 | 20101102 | JAPAN | 73043119 | HOT FINISH SEAMLESS STEEL TUBES (4 PCS) (SIZE : OD101.6MM X 7.3MM X 12000MM) | 8.79 | 1,31,253 | 11,54,235 | PUC |
| 2010-11 | 20101001 | CHINA P RP | 73043129 | STEEL HONED TUBES (OD 180XID 160 MM) NT.WT. 2842 KGS | 8.47 | 56,566 | 4,79,212 | PUC |
| 2010-11 | 20101115 | CHINA P RP | 73043119 | SEAMLESS STEEL TUBE SIZE :54MM X4.75MM X3004MM | 7.00 | 57,805 | 4,04,634 | PUC |
| 2010-11 | 20101115 | CHINA P RP | 98010013 | PROJECT SEAMLESS PIPES(C/S)(S37/25/10)TO SPEC.SA106 | 7.00 | 40,532 | 2,83,721 | PUC |
| 2010-11 | 20101111 | AUSTRIA | 73049000 | ST52.0 DIN 1629 1.0421 (PIPE ROUND HOLLOW) | 6.98 | 1,36,682 | 9,53,494 | PUC |
| 2010-11 | 20101029 | JAPAN | 73049000 | COLD DRAWN SEAMLESS TUBE O.D. 19.40MM X I.D. 11.50MM GRADESCR-420H (JIS G 4052 | 6.92 | 2,86,062 | 19,78,693 | PUC |
| 2010-11 | 20101105 | CHINA P RP | 73049000 | SEAMLESS TUBES AS PER GOST TU 14-3-460-75 STEEL 12XMO SIZE:50-8 MM OD X 5MM THK | 6.85 | 98,537 | 6,75,177 | PUC |
| 2010-11 | 20101102 | CHINA P RP | 73045110 | BEARING QUALITY STEEL TUBE - SAE52100: (SIZE-38.6*4.5) | 6.16 | 52,371 | 3,22,607 | PUC |
| 2010-11 | 20101104 | FRANCE | 73043911 | CS NACE SEAMLESS PIPES (ASTM A106 GR.B) SIZE: 3 | 5.70 | 1,27,596 | 7,27,296 | PUC |
| 2010-11 | 20101116 | CHINA P RP | 73045110 | SEAMLESS STEEL TUBE-GRADE-SAE52100/GCR15 SIZE-OD-ID-30.8X24.5X3.15 | 5.59 | 59,935 | 3,34,736 | PUC |
| 2010-11 | 20101109 | CHINA P RP | 73043119 | RM00200040B PIN STEEL TUBE SCM415H OD12.30MMXID8.00MM [LENGTH:2500MM-3000MM] [C | 5.53 | 1,32,267 | 7,31,306 | PUC |
| 2010-11 | 20101111 | TAIWAN | 73042990 | COLD DRAWN PRECISION STEEL TUBE, ST52.3, 75MM*85MM*1300MM. | 5.45 | 93,024 | 5,06,981 | PUC |
| 2010-11 | 20101130 | ITALY | 73041190 | TUBE+SANICRO 28\SMLS MIRROR FINISH\OD 12MM\1.5MM THK\NS\SANDVIK | 5.00 | 2,37,627 | 11,88,134 | PUC |
| 2010-11 | 20101101 | GERMANY | 73041990 | SMLC.C/S HYDRAULIC TUBES SPEC DIN 2391 C GR ST37.4/52.4 C/W BEN 42X3.0X6M (37.4 | 5.00 | 98,114 | 4,90,570 | PUC |
| 2010-11 | 20101122 | CHINA P RP | 73049000 | CARBON STEEL SEAMLESS PIPES STOCK LOT | 5.00 | 27,959 | 1,39,793 | PUC |
| 2010-11 | 20101103 | FRANCE | 73043911 | CS NACE PIPES (PIPE SEAMLESS ASTM A106 GR.B) SIZE: 2 | 4.44 | 99,502 | 4,41,789 | PUC |
| 2010-11 | 20101111 | CHINA P RP | 73045120 | COLD DRAWN READY TO HONE PRECISION TUBE (100X115MM) | 4.44 | 80,916 | 3,58,905 | PUC |
| 2010-11 | 20101001 | CHINA P RP | 73043119 | STEEL HONED TUBES (OD 90 XID 76 MM) NT.WT. 4369 KGS | 4.37 | 74,795 | 3,26,977 | PUC |
| 2010-11 | 20101006 | CHINA P RP | 73043129 | STEEL HONED TUBES (OD 180 X ID 160 MM) NET WT 4083 KGS | 4.07 | 77,385 | 3,14,809 | PUC |
| 2010-11 | 20101116 | JAPAN | 73049000 | COLD DRAWN SEAMLESS STEEL TUBE (FOR PISTON PIN) GRADE SCM-415H (O.D. 13.40MM | 4.03 | 2,94,888 | 11,88,399 | PUC |
| 2010-11 | 20101111 | CHINA P RP | 98010013 | SEAMLESS CARBON STEEL PIPES TO SPEC SA 106 | 4.00 | 73,077 | 2,92,309 | PUC |
| 2010-11 | 20101124 | CHINA P RP | 73041910 | SEAMLESS CARBON STEEL PIPE (93MM X 8MM X 4.6M) | 4.00 | 41,187 | 1,64,748 | PUC |
| 2010-11 | 20101030 | CHINA P RP | 73049000 | COLD DRAWN SEAMLESS STEEL TUBE (FOR PISTON PIN) GRADE SCM-415H (O.D. 13.40MM | 3.90 | 2,87,232 | 11,18,769 | PUC |
| 2010-11 | 20101006 | CHINA P RP | 73043129 | STEEL HONED TUBES (OD 185 X ID 145 MM) NET WT 3539 KGS | 3.58 | 78,218 | 2,80,184 | PUC |
| 2010-11 | 20101105 | SAUDI ARAB | 73049000 | SECONDARY SECOND CARBON STEEL SEAMLESS/ WELDED PIPES, MIXED THICKNESS MIXED LOT | 3.00 | 17,784 | 53,353 | PUC |
| 2010-11 | 20101109 | KOREA RP | 73049000 | SUPPLY OF CU-NI PIPES & FITTING CUNI 90/10 SEAMLESS PIPES OD57.0 X 2.5T X 6000L | 2.50 | 90,277 | 2,25,765 | PUC |
| 2010-11 | 20101104 | FRANCE | 73043911 | CS NACE SEAMLESS PIPES (ASTM A106 GR.B) SIZE: 3 | 2.34 | 1,39,812 | 3,27,160 | PUC |
| 2010-11 | 20101109 | JAPAN | 73043911 | CS NACE SEAMLESS PIPES (ASTM A106 GR.B) SIZE: 6 | 2.00 | 1,21,607 | 2,43,213 | PUC |
| 2010-11 | 20101103 | U ARAB EMTS | 73043911 | CS NACE SEAMLESS PIPES - (ASTM A106 GR.B) SIZE:2 | 2.00 | 1,13,277 | 2,26,554 | PUC |
| 2010-11 | 20101125 | SAUDI ARAB | 73049000 | SECONDARY SECOND CARBON STEEL SEAMLESS / WELDED PIPES MIXED THICKNESS MIXED LO | 2.00 | 19,746 | 39,491 | PUC |
| 2010-11 | 20101125 | SAUDI ARAB | 73049000 | SECONDARY CARBON STEEL SEAMLESS/WELDED PIPES MIXED THICKNESS MIXED LOT. | 2.00 | 19,665 | 39,330 | PUC |
| 2010-11 | 20101112 | SAUDI ARAB | 73049000 | SECONDARY SECOND CARBON STEEL SEAMLESS/ WELDED PIPES MIXED THICKNESS MIXED LOT. | 2.00 | 19,423 | 38,846 | PUC |
| 2010-11 | 20101112 | SAUDI ARAB | 73049000 | SECONDARY SECOND CARBON STEEL SEAMLESS/ WELDED PIPES MIXED THICKNESS MIXED LOT. | 2.00 | 19,423 | 38,846 | PUC |
| 2010-11 | 20101104 | FRANCE | 73043911 | CS NACE SEAMLESS PIPES (ASTM A106 GR B) SIZE:2 | 1.98 | 1,45,782 | 2,88,648 | PUC |
| 2010-11 | 20101101 | CHINA P RP | 73043911 | SEAMLESS STEEL CYLINDER PIPE (JIS-G-3429-88 & 34CRM04) SIZE: 232MM X 5.4MM | 1.55 | 48,958 | 76,081 | PUC |
| 2010-11 | 20101127 | JAPAN | 73041110 | CS NACE SEAMLESS PIPES 100MM (4) SCH/XS CS SMLS PIPE ASTM A 106 GR.B MULTI SPE | 1.34 | 95,519 | 1,27,995 | PUC |
| 2010-11 | 20101113 | JAPAN | 73043911 | CS NACE PIPES (ASTM A106 GR.B) SIZE: 1.5 X SCH XXS X 6 METERS | 1.00 | 1,47,585 | 1,47,585 | PUC |
| 2010-11 | 20101122 | FRANCE | 73043911 | CS NACE SEAMLESS PIPES (ASTM A106 GR.B) SIZE: 2 | 1.00 | 62,517 | 62,517 | PUC |
| 2010-11 | 20101120 | SAUDI ARAB | 73049000 | SECONDARY SECOND CARBON STEEL SEAMLESS/ WELDED PIPES, MIXED THICKNESS MIXED LOT | 1.00 | 31,432 | 31,432 | PUC |
| 2010-11 | 20101125 | SAUDI ARAB | 73049000 | SECONDARY SECOND CARBON STEEL SEAMLESS/ WELDED PIPES, MIXEDTHICKNESS MIXED LOT. | 1.00 | 31,109 | 31,109 | PUC |
| 2010-11 | 20101105 | SAUDI ARAB | 73049000 | SECONDARY SECOND CARBON STEEL SEAMLESS/ WELDED PIPES, MIXED THICKNESS MIXED LOT | 1.00 | 28,530 | 28,530 | PUC |

**Import Data from DGCIS [All Countries PUC]
Apr 2009 to Jun 2012**

| Year | Date | Country | ITC-HS | Item-Des | Quantity (MT) | Price (Rs./MT) | Value (Rs) | PUC/ NPUC |
|---------|----------|-------------|----------|---|---------------|----------------|------------|--------------|
| 2010-11 | 20101111 | SAUDI ARAB | 73049000 | SECONDARY SECOND CARBON STEEL SEAMLESS/ WELDED PIPES, MIXED THICKNESS MIXED LOT | 1.00 | 27,241 | 27,241 | PUC |
| 2010-11 | 20101112 | SAUDI ARAB | 73049000 | SECONDARY SECOND CARBON STEEL SEAMLESS/ WELDED PIPES, MIXEDTHICKNESS MIXED LOT. | 1.00 | 27,241 | 27,241 | PUC |
| 2010-11 | 20101105 | SAUDI ARAB | 73049000 | SECONDARY SECOND CARBON STEEL SEAMLESS/ WELDED PIPES FITTINGS, MIXED THICKNESS | 1.00 | 22,566 | 22,566 | PUC |
| 2010-11 | 20101129 | BELGIUM | 73049000 | M.S.SEAMLESS PIPE SECONDARY SECOND CHOICE MIX | 1.00 | 19,751 | 19,751 | PUC |
| 2010-11 | 20101125 | SAUDI ARAB | 73049000 | SECONDARY SECOND CARBON STEEL SEAMLESS/ WELDED PIPES, MIXEDTHICKNESS MIXED LOT. | 1.00 | 16,232 | 16,232 | PUC |
| 2010-11 | 20101120 | CHINA P RP | 73041990 | ASTM A 106 GRADE B SEAMLESS PIPES 31 MTR,OD 60.30,MMTHK 8.70MM | 1.00 | 1,20,745 | 1,20,745 | PUC |
| 2010-11 | 20101101 | CHINA P RP | 73043911 | SEAMLESS STEEL TUBES (34CRM04) SIZE: 267MM X 6.5MM | 0.76 | 48,991 | 37,184 | PUC |
| 2010-11 | 20101105 | SAUDI ARAB | 73049000 | SECONDARY SECOND CARBON STEEL SEAMLESS/ WELDED PIPES FITTINGS MIXED THICKNESS | 0.60 | 20,685 | 12,411 | PUC |
| 2010-11 | 20101111 | SAUDI ARAB | 73049000 | SECONDARY SECOND CARBON STEEL SEAMLESS/ WELDED PIPES MIXED THICKNESS MIXED LOT. | 0.50 | 21,600 | 10,800 | PUC |
| 2010-11 | 20101112 | SAUDI ARAB | 73049000 | SECONDARY SECOND CARBON STEEL SEAMLESS/ WELDED PIPES MIXED THICKNESS MIXED LOT. | 0.30 | 22,030 | 6,609 | PUC |
| 2010-11 | 20101125 | CHINA P RP | 73042990 | SEAMLESS PIPE OD 42.4 MM THICKNESS 4 MM DIN 2448 | 0.21 | 1,21,993 | 25,887 | PUC |
| 2010-11 | 20101126 | U S A | 73041190 | FLOTECT V 4 VANE OERATED FLOW SWITCH PIPE ID-6 INCH 900 LITERS PER MINITES EXPL | 0.20 | 1,07,020 | 21,404 | PUC |
| 2010-11 | 20101111 | U S A | 73042390 | DRIFT, 5-7/8 IN DRILLPIPE 4.125 IN | 0.20 | 95,275 | 19,055 | PUC |
| 2010-11 | 20101125 | JAPAN | 73043911 | CS NACE SEAMLESS PIPES (A106 GR.B) SIZE: 0.5 | 0.20 | 90,600 | 18,120 | PUC |
| 2010-11 | 20101120 | BELGIUM | 73049000 | M.S.SEAMLESS PIPE SECONDARY SECOND CHOICE MIX | 0.20 | 29,470 | 5,894 | PUC |
| 2010-11 | 20101108 | BELGIUM | 73049000 | M.S.SEAMLESS PIPE SECONDARY SECOND CHOICE MIX | 0.20 | 25,230 | 5,046 | PUC |
| 2010-11 | 20101110 | KUWAIT | 73049000 | SECONDARY SECOND CHOICE CARBON STEEL SEAMLESS PIPE MIX SIZE & MIXED LOT | 0.20 | 22,000 | 4,400 | PUC |
| 2010-11 | 20101130 | NEW ZEALAND | 73049000 | SECONDARY DEFECTIVE CARBON STEEL SEAMLESS PIPES | 0.20 | 20,865 | 4,173 | PUC |
| 2010-11 | 20101116 | CHINA P RP | 73041110 | FINNED TUBES SA210 GR. A1 OD 38.1 X 4 THK X 4680 LG FIN SIZE: 12.7HX1.9THK-158 | 0.19 | 2,05,283 | 38,794 | PUC |
| 2010-11 | 20101124 | FRANCE | 73042990 | SEAMLESS PIPE NIPPLE OD25MM X 1.5MMM WT CUNI 10FE 1.6MN L=100MM PLAIN END X PLA | 0.14 | 1,00,676 | 13,692 | PUC |
| 2010-11 | 20101101 | U S A | 73049000 | SECONDARY SECOND CARBON STEEL SEAMLESS / WELDED PIPES MIXED THICKNESS MIXED LO | 0.10 | 1,03,050 | 10,305 | PUC |
| 2010-11 | 20101119 | ITALY | 73049000 | M.S.LOW CARBONSEAMLESS PIPE MIXED SECOND DEFECTIVE | 0.10 | 56,320 | 5,632 | PUC |
| 2010-11 | 20101127 | GERMANY | 73049000 | CARBON STEEL SECONDARY DEFECTIVE SEAMLESS PIPES/TUBES | 0.10 | 42,890 | 4,289 | PUC |
| 2010-11 | 20101110 | KUWAIT | 73049000 | SECONDARY SECOND CHOICE CARBON STEEL SEAMLESS PIPE MIX SIZE & MIXED LOT | 0.10 | 27,790 | 2,779 | PUC |
| 2010-11 | 20101108 | CHINA P RP | 73049000 | CARBON STEEL SEAMLESS PIPE API 5L/ASTM A106 GR.B | 0.10 | 43,100 | 4,310 | PUC |
| 2010-11 | 20101112 | CHINA P RP | 73049000 | PRIME CARBON STEEL SEAMLESS PIPES TO ASTM A 106 GR. B | 0.10 | 42,810 | 4,281 | PUC |
| 2010-11 | 20101126 | CHINA P RP | 73049000 | CARBON STEEL SEAMLESS PIPES ASTM A 106 GR.B/API 5L GR.B | 0.08 | 26,050 | 2,084 | PUC |
| 2010-11 | 20101102 | JAPAN | 73045910 | TUBE SEAMLESS (HOT FINISHED SEAMLESS ALLOY STEEL TUBES) 38.1 X 4.5 X 10500 S | 0.07 | 2,50,891 | 18,717 | PUC |
| 2010-11 | 20101101 | UKRAINE | 73049000 | SECONDARY CARBON STEEL SEAMLESS PIPES MIXED SIZES | 0.06 | 21,567 | 1,294 | PUC |
| 2010-11 | 20101119 | CHINA P RP | 73049000 | CARBON STEEL SEAMLESS PIPES ASTM A106-B | 0.04 | 71,625 | 2,865 | PUC |
| 2010-11 | 20101130 | CHINA P RP | 73049000 | COLD DRAWN CARBON STEEL SEAMLESS STEEL PIPES ASTM A106GRADE B | 0.03 | 30,567 | 917 | PUC |
| 2010-11 | 20101108 | KUWAIT | 73049000 | SECONDARY SECOND CHOICE CARBON STEEL SEAMLESS PIPE MIX SIZE & MIX LOT | 0.02 | 23,150 | 463 | PUC |
| 2010-11 | 20101104 | UKRAINE | 73049000 | SECONDARY CARBON STEEL SEAMLESS PIPES (MIXED SIZES) | 0.02 | 21,550 | 431 | PUC |
| 2010-11 | 20101125 | CHINA P RP | 73049000 | CARBON STEEL SEAMLESS PIPES AS PER ASTM A 106 GR.B./API 5L GR.B/A53 | 0.02 | 71,600 | 1,432 | PUC |
| 2010-11 | 20101129 | U S A | 73043129 | CARBON STEEL SEAMLESS PIPES STOCKLOT | 0.01 | 96,333 | 1,156 | PUC |
| 2010-11 | 20101108 | U S A | 73049000 | CARBON STEEL SECONDARY DEFECTIVE SEAMLESS PIPE | 0.01 | 4,17,900 | 4,179 | PUC |
| 2010-11 | 20101116 | U S A | 73049000 | CARBON STEEL SEAMLESS PIPES STOCKLOT. | 0.01 | 96,900 | 969 | PUC |
| 2010-11 | 20101112 | ITALY | 73043139 | 46738782 PIPE (FOR CAPTIVE USE) (1 NOS) | 0.01 | 63,300 | 633 | PUC |
| 2010-11 | 20101111 | SAUDI ARAB | 73049000 | SECONDARY SECOND CARBON STEEL SEAMLESS/ WELDED PIPES FITTINGS, MIXED THICKNESS | 0.01 | 32,200 | 322 | PUC |
| 2010-11 | 20101110 | KUWAIT | 73049000 | SECONDARY SECOND CHOICE CARBON STEEL SEAMLESS PIPE MIX SIZEMIXED LOT | 0.01 | 23,200 | 232 | PUC |
| 2010-11 | 20101129 | CHINA P RP | 73049000 | CARBON STEEL SEAMLESS PIPES ASTM A 106-B (168.3MM X 14.27 MM) | 0.01 | 28,600 | 286 | PUC |

**Import Data from DGCIS [All Countries PUC]
Apr 2009 to Jun 2012**

| Year | Date | Country | ITC-HS | Item-Des | Quantity (MT) | Price (Rs./MT) | Value (Rs) | PUC/ NPUC |
|---------|----------|------------|----------|---|---------------|----------------|--------------|--------------|
| 2010-11 | 20101119 | CHINA P RP | 73049000 | SECONDARY DEFECTIVE M.S SEAMLESS PIPE | 0.01 | 22,900 | 229 | PUC |
| 2010-11 | 20101119 | CHINA P RP | 73049000 | SECONDARY DEFECTIVE M.S SEAMLESS PIPE | 0.01 | 22,900 | 229 | PUC |
| 2010-11 | 20101130 | SAUDI ARAB | 73049000 | SECONDARY SECOND CARBON STEEL SEAMLESS/ WELDED PIPES MIXED THICKNESS MIXED LOT. | 0.01 | 20,125 | 161 | PUC |
| 2010-11 | 20101127 | SAUDI ARAB | 73049000 | SECONDARY SECOND CARBON STEEL SEAMLESS/ WELDED PIPES MIXED THICKNESS MIXED LO | 0.01 | 21,500 | 129 | PUC |
| 2010-11 | 20101127 | SAUDI ARAB | 73049000 | SECONDARY SECOND CARBON STEEL SEAMLESS/ WELDED PIPES, MIXED THICKNESS MIXED LOT | 0.01 | 21,500 | 129 | PUC |
| 2010-11 | 20101104 | CHINA P RP | 73049000 | SEAMLESS CARBON STEEL PIPES | 0.01 | 62,800 | 314 | PUC |
| 2010-11 | 20101122 | CHINA P RP | 73049000 | CARBON STEEL SEAMLESS PIPES ASTM A 106 GRADE B/API 5L GR.B | 0.004 | 72,250 | 289 | PUC |
| 2010-11 | 20101109 | CHINA P RP | 73049000 | CARBON STEEL SEAMLESS PIPES | 0.004 | 33,250 | 133 | PUC |
| 2010-11 | 20101130 | GERMANY | 73043119 | CARBON STEEL SEAMLESS PIPES (SECOND CHOICE) | 0.002 | 6,45,500 | 1,291 | PUC |
| 2010-11 | 20101122 | KUWAIT | 73043919 | SECONDARY SECOND CHOICE CARBON STEEL SEAMLESS PIPE MIX SIZE MIX LOT | 0.001 | 2,32,000 | 232 | PUC |
| 2010-11 | 20101103 | U S A | 73049000 | SECONDARY/DEFECTIVE CARBON STEEL SEAMLESS PIPES | 0.001 | 2,25,000 | 225 | PUC |
| 2010-11 | 20101116 | BELGIUM | 73043919 | SECONDARY DEFETIVE SEAMLESS CARBON STEEL PIPES | 0.001 | 61,000 | 61 | PUC |
| 2010-11 | 20101126 | CHINA P RP | 73042390 | SEAMLESS STEEL CASING IN R3 ACC TO API 5CT,9-5/8 36# BTC,K55 (USED FOR OIL/GAS | 1,745.24 | 24,930 | 4,35,08,100 | PUC |
| 2010-11 | 20101202 | SPAIN | 98010013 | 98010013 TUBES (C/S)(S37/26/10)TO SPEC.SA 210-07 | 1,306.00 | 83,380 | 10,88,93,696 | PUC |
| 2010-11 | 20101202 | CHINA P RP | 73042390 | HYDRAULIC CYLINDER TUBE | 860.00 | 1,178 | 10,13,469 | PUC |
| 2010-11 | 20101202 | SPAIN | 98010013 | 98010013 TUBES(C/S)(S37/25/10)TO SPEC.SA 210-07 | 757.00 | 1,04,509 | 7,91,13,400 | PUC |
| 2010-11 | 20101229 | CHINA P RP | 73043911 | 73043911 SEAMLESS TUBES (CARBON STEEL)TO SPEC.SA 210 | 696.00 | 69,493 | 4,83,67,064 | PUC |
| 2010-11 | 20101224 | CHINA P RP | 73043911 | SEAMLESS CARBON STEEL HOLLOWES | 694.00 | 51,949 | 3,60,52,611 | PUC |
| 2010-11 | 20101224 | CHINA P RP | 73043911 | SEAMLESS CARBON STEEL HOLLOWES | 587.00 | 47,718 | 2,80,10,692 | PUC |
| 2010-11 | 20101204 | CHINA P RP | 73049000 | CARBON STEEL SEAMLESS PIPES API 5L/ASTM A106 GR.B | 417.00 | 41,794 | 1,74,28,012 | PUC |
| 2010-11 | 20101201 | CHINA P RP | 73049000 | CARBON STEEL SEAMLESS PIPES AS PER ASTM A106 GR.B/API 5L GR.B | 376.00 | 32,363 | 1,21,68,352 | PUC |
| 2010-11 | 20101201 | CHINA P RP | 73043911 | 16X40' CONTAINER, SEAMLE | 375.00 | 61,265 | 2,29,74,436 | PUC |
| 2010-11 | 20101222 | CHINA P RP | 73045130 | SEAMLESS CARBON STEEL HOT FINISHED PIPE SIZE 12 X SCH STD X5800 MM | 364.00 | 38,991 | 1,41,92,660 | PUC |
| 2010-11 | 20101222 | CHINA P RP | 73049000 | CARBON STEEL SEAMLESS PIPES API 5L/ASTM A106 GR.B | 348.00 | 41,801 | 1,45,46,593 | PUC |
| 2010-11 | 20101228 | CHINA P RP | 73043119 | CARBON STEEL SEAMLESS TUBES 88.9 X 12.5 X 7950 MM X (127.20 MTR) | 341.00 | 51,997 | 1,77,30,967 | PUC |
| 2010-11 | 20101208 | CHINA P RP | 73049000 | CARBON STEEL SEAMLESS PIPES API 5L/ASTM A 106/A 53 GRADE B | 313.00 | 32,344 | 1,01,23,612 | PUC |
| 2010-11 | 20101203 | CHINA P RP | 73043919 | SEAMLESS CARBON STEEL PIPE AS PER API 5L GR.B/ASTM A106 GR.B SIZE:3 SCH40MM TO | 311.00 | 28,641 | 89,07,284 | PUC |
| 2010-11 | 20101220 | CHINA P RP | 73049000 | CARBON STEEL SEAMLESS PIPES ASTM A 106 GRADE B/API 5L GR.B | 299.00 | 30,142 | 90,12,534 | PUC |
| 2010-11 | 20101207 | CHINA P RP | 73043119 | CARBON STEEL SEAMLESS PIPES (114.3X8.56X5800MM) | 248.00 | 31,532 | 78,20,043 | PUC |
| 2010-11 | 20101229 | BELGIUM | 73049000 | SECONDARY CARBON SEAMLESS PIPE | 245.00 | 20,353 | 49,86,568 | PUC |
| 2010-11 | 20101203 | SPAIN | 98010013 | 98010013 TUBES(C/S)(S37/28/10)TO SPEC.SA 210-07 | 243.00 | 1,05,999 | 2,57,57,813 | PUC |
| 2010-11 | 20101201 | CHINA P RP | 73043911 | 09X40' CONTAINER,103 BUN | 226.00 | 65,852 | 1,48,82,628 | PUC |
| 2010-11 | 20100923 | FRANCE | 73049000 | SEAMLESS STEEL TUBES/PIPES SA210C (2550.880 MTR) (HOT FINISHED) | 225.00 | 1,08,802 | 2,44,80,546 | PUC |
| 2010-11 | 20101201 | CHINA P RP | 73043119 | CARBON STEEL SEAMLESS PIPES (168.3X7.11X5800MM) | 224.00 | 32,273 | 72,29,106 | PUC |
| 2010-11 | 20101222 | CHINA P RP | 73049000 | CARBON STEEL SEAMLESS PIPES CONFIRMING TO ASTM A 106 GRADE B | 224.00 | 29,799 | 66,75,080 | PUC |
| 2010-11 | 20101230 | ITALY | 73043911 | CS NACE PIPES - PIPE 28 SCH XS API 5L GR.B SMLS/LSAW WITH 100% RT - PSL1 - NAC | 223.14 | 1,29,682 | 2,89,37,532 | PUC |
| 2010-11 | 20101123 | CHINA P RP | 73049000 | SEAMLESS CARBON STEEL PIPES (ASTM A106 GR B/API 5L GR B/API5L GR B) SIZE: 219.1 | 222.00 | 38,457 | 85,37,478 | PUC |
| 2010-11 | 20101207 | CHINA P RP | 73043119 | CARBON STEEL SEAMLESS PIPES ASTM-A106B-API 5L:-[4 SCH 40] | 213.00 | 30,757 | 65,51,304 | PUC |
| 2010-11 | 20101213 | CHINA P RP | 73041910 | PLAIN END SEAMLESS PIPES OF SIZE: 4-1/2 OD {12359.633 MTRS= 228.419 MTS (OR) 1 | 209.00 | 44,133 | 92,23,845 | PUC |
| 2010-11 | 20101202 | CHINA P RP | 73049000 | CARBON STEEL SEAMLESS PIPES | 205.00 | 28,198 | 57,80,629 | PUC |
| 2010-11 | 20101206 | CHINA P RP | 73049000 | HOT FINISHED SEAMLESS STEEL TUBE GRADE 37MN | 203.00 | 50,465 | 1,02,44,342 | PUC |

**Import Data from DGCIS [All Countries PUC]
Apr 2009 to Jun 2012**

| Year | Date | Country | ITC-HS | Item-Des | Quantity (MT) | Price (Rs./MT) | Value (Rs) | PUC/ NPUC |
|---------|----------|-------------|----------|---|---------------|----------------|-------------|--------------|
| 2010-11 | 20101224 | CHINA P RP | 73043119 | COLD DRAWN SEAMLESS CARBON STEEL TUBES DIN 1629/84 ST37.4 (SIZE : 30X3 X10000-1 | 203.00 | 47,677 | 96,78,500 | PUC |
| 2010-11 | 20101223 | CHINA P RP | 73049000 | PRIME CARBON STEEL SEAMLESS PIPES GRADE : ASTM A 106 GR.B / API5L GR.B/A53 GR.B | 201.00 | 32,384 | 65,09,102 | PUC |
| 2010-11 | 20101229 | CHINA P RP | 73049000 | SEAMLESS CARBON STEEL PIPES (INCH 1-1/2) | 200.00 | 32,402 | 64,80,343 | PUC |
| 2010-11 | 20101228 | CHINA P RP | 73043119 | CARBON STEEL SEAMLESS TUBES 88.9 X 12.5 X 7950 MM SA210GRA1 (55.65 MTR) | 198.00 | 53,436 | 1,05,80,362 | PUC |
| 2010-11 | 20101202 | FRANCE | 98010013 | HOT FINISHED SEAMLESS CARBON STEEL PIPES (TO SPEC SA 106)(S37/20/2010/GR6) (CIF | 194.00 | 81,962 | 1,59,00,628 | PUC |
| 2010-11 | 20101222 | CHINA P RP | 73045130 | CARBON STEEL SEAMLESS HOT FINISHED PIPE TUBES SIZE 8 X SCH160X 5800 MM | 191.00 | 38,845 | 74,19,439 | PUC |
| 2010-11 | 20101202 | CHINA P RP | 73049000 | CARBON STEEL SEAMLESS PIPES AS PER ASTM A106 GR.B/API 5L GR.B | 189.00 | 32,439 | 61,30,908 | PUC |
| 2010-11 | 20101222 | CHINA P RP | 73043119 | CARBON STEEL SEAMLESS PIPE (ASTM A 106 GR B - 8 X SCH40) | 186.00 | 37,512 | 69,77,239 | PUC |
| 2010-11 | 20101220 | U ARAB EMTS | 73049000 | CARBON STEEL SEAMLESS PIPES (SECONDARY DEFECTIVE) | 181.00 | 21,971 | 39,76,734 | PUC |
| 2010-11 | 20101202 | HONG KONG | 73041110 | CS SEAMLESS PIPES SA 106 GR B : SIZE 219.1 X 23.01 X 5000 - 5800 MM | 178.87 | 45,117 | 80,69,793 | PUC |
| 2010-11 | 20101214 | BELGIUM | 73041110 | DRILL PIPE 5 OD 50 PPF HEAVY WEIGHT EC NO ECIN 201011290001 DT 29.11.2010 | 178.56 | 2,00,815 | 3,58,57,579 | PUC |
| 2010-11 | 20101209 | ROMANIA | 98010013 | SEAMLESS CARBON STEEL PIPES TO SPEC SA 106 S37/26/2010 CIF RS. 30070205 | 171.00 | 1,75,849 | 3,00,70,206 | PUC |
| 2010-11 | 20101202 | CHINA P RP | 73049000 | WATER JET MANDREL SIZE AS PER INVOICE | 166.00 | 49,449 | 82,08,567 | PUC |
| 2010-11 | 20101214 | BELGIUM | 73042390 | DRILL PIPE 5 OD 50PPF HEAVY WEIGHT | 165.17 | 2,01,002 | 3,31,99,156 | PUC |
| 2010-11 | 20101220 | GERMANY | 73049000 | STEEL TUBES 63.50 X 6.30 MM ASME SA-210 GR A-1 | 160.09 | 82,020 | 1,31,30,580 | PUC |
| 2010-11 | 20101221 | CHINA P RP | 73045910 | CARBON AND ALLOY STEEL SEAMLESS TUBES GRADE SA210-A1 OD 76.2* MW 6.35* 5600MM | 157.95 | 70,124 | 1,10,76,278 | PUC |
| 2010-11 | 20101203 | UKRAINE | 73049000 | SECONDARY CARBON STEEL SEAMLESS PIPES MIXED SIZES | 155.00 | 22,440 | 34,78,236 | PUC |
| 2010-11 | 20101216 | CHINA P RP | 73049000 | CARBON STEEL SEAMLESS PIPES AS PER ASTM A106 GR.B/API 5L GR.B/A53 GR. B | 155.00 | 32,493 | 50,36,350 | PUC |
| 2010-11 | 20101231 | BELGIUM | 73049000 | SECONDARY DEFECTIVE CARBON STEEL SEAMLESS PIPES | 152.00 | 23,578 | 35,83,785 | PUC |
| 2010-11 | 20101229 | GERMANY | 73043919 | SECONDARY/DEFECTIVE CARBON STEEL SEAMLESS PIPE | 151.00 | 32,003 | 48,32,502 | PUC |
| 2010-11 | 20101123 | CHINA P RP | 73042990 | HOT FINISHED SEAMLESS CARBON NON-ALLOY PIPESR.B | 147.00 | 45,680 | 67,14,916 | PUC |
| 2010-11 | 20101222 | CHINA P RP | 73049000 | CARBON STEEL SEAMLESS PIPE ASTM A 106 / API 5L OD 355.6 MMX WT 50MM X LENGTH | 147.00 | 43,221 | 63,53,517 | PUC |
| 2010-11 | 20101215 | CHINA P RP | 73049000 | CARBON STEEL SEAMLESS PIPES AS PER API 5L GRADE B/A 106B | 143.00 | 29,608 | 42,34,004 | PUC |
| 2010-11 | 20101202 | SPAIN | 73043911 | 73043911 TUBES (CARBON STEEL)TO SPEC.SA 210-07 | 142.00 | 68,059 | 96,64,425 | PUC |
| 2010-11 | 20101223 | U S A | 73042390 | 5-7/8 DRILL PIPE, S-135, RANGE 3,23.40 LBS/FT.W? XT 57 CONNECTIONS | 140.81 | 3,83,168 | 5,39,53,416 | PUC |
| 2010-11 | 20101214 | SWEDEN | 73049000 | SURPLUS (PRIME) NON ALLOY SEAMLESS TUBES - AS PER MILL TEST CERTIFICATE ORDER | 136.00 | 40,176 | 54,63,918 | PUC |
| 2010-11 | 20101223 | CHINA P RP | 73045110 | SEAMLESS STEEL TUBES GRADE SA210-A1 OD 50.8 MM X WT 4.06 MM (MW) X 10000 MM | 127.79 | 57,080 | 72,94,527 | PUC |
| 2010-11 | 20101208 | CHINA P RP | 73043919 | CARBON STEEL SEAMLESS TUBES ASTM A106 /API 5L (OD 30.0MM,WT. 3MM, LENGTH 10.6 | 126.70 | 41,535 | 52,62,568 | PUC |
| 2010-11 | 20101220 | CHINA P RP | 73043919 | CARBON STEEL SEAMLESS TUBES (ASTM A179 OD=27.0MM, W.T.2.6MM L=10.6-11.80MTRS) | 125.99 | 41,535 | 52,32,787 | PUC |
| 2010-11 | 20101213 | CHINA P RP | 73049000 | CARBON STEEL SEAMLESS PIPES API 5LB/ASTM A106B/A53B | 125.00 | 29,476 | 36,84,496 | PUC |
| 2010-11 | 20101221 | CHINA P RP | 73049000 | CARBON STEEL SEAMLESS PIPES API 5L/ ASTM A106/A53 GR.B | 112.00 | 47,527 | 53,23,017 | PUC |
| 2010-11 | 20101213 | GERMANY | 73049000 | M.S.SEAMLESS PIPES SECOND CHOICE MIN | 108.00 | 21,887 | 23,63,840 | PUC |
| 2010-11 | 20101130 | CHINA P RP | 73043911 | SEAMLESS STEEL CYLINDER PIPES - JIS G3429-88 (34CRMO4) SIZE:267MM X 6.5MM | 108.00 | 48,913 | 52,82,558 | PUC |
| 2010-11 | 20101218 | CHINA P RP | 73041910 | CARBON STEEL API 5CT K55 COUPLING | 105.56 | 51,226 | 54,07,264 | PUC |
| 2010-11 | 20101214 | CHINA P RP | 73041910 | SEAMLESS PIPES MADE OF CARBON STEEL AS PER API 5 CT | 104.27 | 50,765 | 52,93,469 | PUC |
| 2010-11 | 20101209 | SWEDEN | 73045110 | SECONDARY AND DEFECTIVE SEAMLESS STEEL TUBES (ALLOY STEEL) GRADE: ST 52-3, SIZE | 103.00 | 32,460 | 33,43,403 | PUC |
| 2010-11 | 20101209 | CHINA P RP | 73043119 | COLD DRAWN SEAMLESS CARBON STEEL TUBES ST 37.4 (SIZE 30X2.5 (10000-12000MM) | 103.00 | 47,761 | 49,19,346 | PUC |
| 2010-11 | 20101230 | CHINA P RP | 73043119 | COLD DRAWN SEAMLESS STEEL TUBES AS PER DIN STD 2391 50 MM OD X 38 MM ID | 103.00 | 45,715 | 47,08,650 | PUC |
| 2010-11 | 20101228 | CHINA P RP | 73043119 | CARBON STEEL SEAMLESS TUBES 63.5 X 4.06 X 7000 MM X (1302 MTR) | 102.00 | 55,511 | 56,62,143 | PUC |
| 2010-11 | 20101215 | CHINA P RP | 73043939 | CARBON STEEL SEAMLESS TUBES GRADE A179 SIZE:25.4MM*2.11MM*7.34M | 101.00 | 45,856 | 46,31,418 | PUC |
| 2010-11 | 20101201 | CHINA P RP | 73043919 | CARBON SEAMLESS STEEL PIPES AS PER ASTM A106 GR.B/API 5L GR.B/A53 LENGTH5-5.8 | 101.00 | 30,109 | 30,41,026 | PUC |

**Import Data from DGCIS [All Countries PUC]
Apr 2009 to Jun 2012**

| Year | Date | Country | ITC-HS | Item-Des | Quantity (MT) | Price (Rs./MT) | Value (Rs) | PUC/ NPUC |
|---------|----------|----------------|----------|---|---------------|----------------|-------------|--------------|
| 2010-11 | 20101229 | BELGIUM | 73043919 | SECONDARY CARBON STEEL SEAMLESS PIPE (INV NO.WHWH100898-10/0321-02) | 100.00 | 24,106 | 24,10,623 | PUC |
| 2010-11 | 20101223 | CHINA P RP | 73049000 | CARBON STEEL SEAMLESS PIPES API 5L B/ASTM A 106B/A 538 | 100.00 | 29,550 | 29,54,970 | PUC |
| 2010-11 | 20101214 | ITALY | 73043911 | COLD DRAWN SEAMLESS STEEL TUBE145,00 X 10,00 X 1,00 E355 | 99.95 | 34,906 | 34,88,701 | PUC |
| 2010-11 | 20101213 | GERMANY | 73049000 | CARBON STEEL SECONDARY/ DEFECTIVE SEAMLESS PIPE | 98.00 | 24,751 | 24,25,620 | PUC |
| 2010-11 | 20101207 | CZECH REPUBLIC | 98010013 | SEAMLESS CARBON STEEL PIPES TO SPEC SA 106.S37/28/2010 CIF RS.8846334/- | 97.00 | 91,199 | 88,46,333 | PUC |
| 2010-11 | 20101202 | GERMANY | 73049000 | CARBON STEEL SECONDARY DEFECTIVE SEAMLESS PIPE | 97.00 | 28,473 | 27,61,893 | PUC |
| 2010-11 | 20101207 | BELGIUM | 73043919 | SECONDARY CARBON STEEL SEAMLESS PIPE (INV.NO.WHWH100827-10/0338-02 DT:11.11.201 | 97.00 | 24,100 | 23,37,686 | PUC |
| 2010-11 | 20101202 | BELGIUM | 73049000 | SECONDARY CARBON STEEL SEAMLESS PIPES INVOICE NO.WHWH100833-10/0321-01 | 95.00 | 25,238 | 23,97,626 | PUC |
| 2010-11 | 20101201 | CHINA P RP | 73043911 | 04X40' SEAMLESS STEEL GA | 95.00 | 62,799 | 59,65,893 | PUC |
| 2010-11 | 20101213 | CHINA P RP | 73049000 | PRIME CARBON STEEL SEAMLESS PIPES TO ASTM A106 GR. B | 95.00 | 28,431 | 27,00,985 | PUC |
| 2010-11 | 20101229 | FRANCE | 98010013 | SEAMLESS CARBON STEEL PIPES TO SPEC SA 106 S37/22/2010 CIF RS. 8781643 | 94.00 | 93,422 | 87,81,642 | PUC |
| 2010-11 | 20101125 | OMAN | 73049000 | 9030.889KG TUBE 52.7 X 5.90 (OTHER SEAMLESS TUBE) | 82.00 | 58,644 | 48,08,835 | PUC |
| 2010-11 | 20101213 | JAPAN | 73049000 | M.S SEAMLESS SECONDARY DEFECTIVE PIPES | 81.00 | 20,919 | 16,94,420 | PUC |
| 2010-11 | 20101222 | SWEDEN | 73045110 | SECONDARY AND DEFECTIVE SEAMLESS STEEL TUBES (ALLOY STEEL) GRADE: ST 52-3, SIZE | 80.00 | 32,464 | 25,97,132 | PUC |
| 2010-11 | 20101220 | CHINA P RP | 73049000 | CARBON STEEL SEAMLESS MOTHER PIPE 60.3X3.91X5000X7000 AS PER INV.& P/LIST [1244 | 78.15 | 45,553 | 35,59,775 | PUC |
| 2010-11 | 20101201 | SWEDEN | 73045110 | SECONDARY AND DEFECTIVE SEAMLESS STEEL TUBES (ALLOY STEEL) GRADE: ST 52-3, SIZE | 78.00 | 32,846 | 25,62,004 | PUC |
| 2010-11 | 20101201 | CHINA P RP | 73049000 | CARBON STEEL SEAMLESS PIPES AS PER ASTM A106 GR.B/API 5L GR.B/A53 GR.B | 77.00 | 32,640 | 25,13,297 | PUC |
| 2010-11 | 20101209 | CHINA P RP | 73049000 | SECONDARY CARBON STEEL SEAMLESS PIPES MIXED SIZE | 77.00 | 22,439 | 17,27,770 | PUC |
| 2010-11 | 20101215 | CHINA P RP | 73049000 | CARBON STEEL SEAMLESS PIPES AS PER ASTM A 106 GR.B/API | 76.00 | 32,549 | 24,73,756 | PUC |
| 2010-11 | 20101203 | ITALY | 73069090 | SEAMLESS COLD DRAWN TUBES (SIZE: 92.00 X 6.00 ML 92X80X877) | 75.18 | 1,47,682 | 1,11,03,017 | PUC |
| 2010-11 | 20101202 | CHINA P RP | 73043919 | CARBON STEEL SEAMLESS PIPES API 5LB/ASTM A106B/A53B(2 SCH80 X 5-5.8MM) | 75.00 | 29,908 | 22,43,126 | PUC |
| 2010-11 | 20101210 | CHINA P RP | 73041990 | CARBON STEEL SEAMLESS PIPE API 5L/ASTM A106 GR.B (168.3MMX 7.11MM) | 74.72 | 42,284 | 31,59,360 | PUC |
| 2010-11 | 20101227 | CHINA P RP | 73049000 | CARBON STEEL SEAMLESS PIPES API 5L/ASTM A106/A53 GR.B | 74.00 | 46,914 | 34,71,627 | PUC |
| 2010-11 | 20101207 | CHINA P RP | 73049000 | SEAMLESS CARBON STEEL PIPES | 74.00 | 32,659 | 24,16,737 | PUC |
| 2010-11 | 20101229 | CHINA P RP | 73069090 | BEARING SEAMLESS STEEL TUBES - 6301IR (14 BUNDLES) | 71.19 | 66,642 | 47,44,286 | PUC |
| 2010-11 | 20101214 | CHINA P RP | 73049000 | CARBON SEAMLESS STEEL PIPES ASTM -A-179 OD 25MM XTHK 2.5MM XLENGTH 10.6-11.8MM | 70.00 | 48,200 | 33,74,014 | PUC |
| 2010-11 | 20101207 | U ARAB EMTS | 73069090 | MS DEFECTIVE SEAMLESS PIPE | 68.00 | 24,086 | 16,37,855 | PUC |
| 2010-11 | 20101220 | CHINA P RP | 73049000 | C.S. SEAMLESS DN200 SCH80 THK 12.7MM | 66.00 | 41,602 | 27,45,699 | PUC |
| 2010-11 | 20101228 | CHINA P RP | 73049000 | CARBON STEEL SEAMLESS PIPE | 61.00 | 42,765 | 26,08,662 | PUC |
| 2010-11 | 20101215 | CHINA P RP | 73043119 | BOILER QUALITY COLD DRAWN SEAMLESS CARBON STEEL PIPE/TUBES -CONFIRMING TO GRADE | 60.85 | 52,065 | 31,68,385 | PUC |
| 2010-11 | 20101126 | CHINA P RP | 73043919 | HOT FINISHED SEAMLESS CARBON STEEL PIPES SIZE(MM): 88.9 X 6.35 X 5.0-7.MTR GRA | 60.61 | 38,554 | 23,36,801 | PUC |
| 2010-11 | 20101126 | CHINA P RP | 73045110 | BEARING QUALITY STEEL TUBE SAE-52100 & SUJ- 3 (TMB6002 IR) SIZE: 21X3.3MM | 59.00 | 69,370 | 40,92,812 | PUC |
| 2010-11 | 20101204 | ITALY | 73043911 | COLD DRAWN SEAMLESS STEEL TUBE73,00 X 5,00 X 1,00 E355 | 57.11 | 1,20,627 | 68,89,289 | PUC |
| 2010-11 | 20101215 | CHINA P RP | 73045110 | COLD DRAWN SEAMLESS CARBON STEEL TUBES ASTM A 519 GRADE SAE1541 (SIZE: 88.90 X | 57.00 | 53,990 | 30,77,447 | PUC |
| 2010-11 | 20101215 | GERMANY | 73045910 | CARBON STEEL TUBES ASME SA-210M GRADE A-1 OD 76.200 MM X 4.060 MM MW X 7000 MM | 56.38 | 53,314 | 30,05,886 | PUC |
| 2010-11 | 20101213 | JAPAN | 73049000 | M.S SEAMLESS SECONDARY DEFECTIVE PIPES | 54.00 | 20,944 | 11,30,998 | PUC |
| 2010-11 | 20101206 | CHINA P RP | 73041110 | C S TUBE : SEAMLESS TUBE SA-179 25.4 X 2.77 X 12000 MM 1855 PCS | 54.00 | 60,832 | 32,84,945 | PUC |
| 2010-11 | 20101228 | CHINA P RP | 73045920 | SEAMLESS PIPE (ST.52 DIMENSION 133MMX4MM LENGTH 6 METER ASPER EN10020 STANDARD) | 52.00 | 51,351 | 26,70,239 | PUC |
| 2010-11 | 20101216 | CHINA P RP | 73049000 | SEAMLESS PIPES ACC TO API 5L/AST A 106 GR.B.(INCH 4 SCH40,OD(MM)114,WT(MM)6.02/ | 52.00 | 46,967 | 24,42,285 | PUC |
| 2010-11 | 20101214 | BELGIUM | 73043919 | SECONDARY DEFECTIVE CARBON STEEL SEAMLESS PIPES | 51.00 | 34,046 | 17,36,346 | PUC |
| 2010-11 | 20101229 | CHINA P RP | 73041990 | CARBON STEEL SEAMLESS PIPES ASTM A 106 GR B (393MM X 357MMX18MM) | 51.00 | 47,905 | 24,43,145 | PUC |

**Import Data from DGCIS [All Countries PUC]
Apr 2009 to Jun 2012**

| Year | Date | Country | ITC-HS | Item-Des | Quantity (MT) | Price (Rs./MT) | Value (Rs) | PUC/ NPUC |
|---------|----------|-------------|----------|--|---------------|----------------|-------------|--------------|
| 2010-11 | 20101227 | CHINA P RP | 73049000 | CARBON STEEL SEAMLESS PIPES ASTM 106 GR B/ API 5 L GR B / A53 GR B | 51.00 | 35,263 | 17,98,435 | PUC |
| 2010-11 | 20101209 | CHINA P RP | 73049000 | CARBON STEEL SEAMLESS PIPE | 51.00 | 29,839 | 15,21,768 | PUC |
| 2010-11 | 20101229 | CHINA P RP | 73049000 | CARBON STEEL SEAMLESS PIPES AS PER API 5L/ASTM A106 GR.B | 50.00 | 40,008 | 20,00,395 | PUC |
| 2010-11 | 20101223 | CHINA P RP | 73049000 | CARBON STEEL SEAMLESS PIPES API6L/A106 GR. B | 50.00 | 29,081 | 14,54,071 | PUC |
| 2010-11 | 20101231 | JAPAN | 73042990 | PIPE SMLS (QTY 54 MTR - UNIT PRICE 310.62 USD/MTR) | 49.60 | 81,516 | 40,43,177 | PUC |
| 2010-11 | 20101202 | SWITZERLAND | 73049000 | LAUFBAHNHALFTE KBK II - 612 MTR | 49.09 | 67,131 | 32,95,344 | PUC |
| 2010-11 | 20101230 | U K | 73049000 | CERAMIC MADE HANDICRAFT: AMLESS PIPES VARIOUS DIMENSIONS | 49.00 | 29,230 | 14,32,276 | PUC |
| 2010-11 | 20101228 | CHINA P RP | 73042990 | NON ALLOY STEEL SEAMLESS PIPES API 5L GRADE B 159.0MMX9.0MM | 49.00 | 47,871 | 23,45,673 | PUC |
| 2010-11 | 20101202 | CHINA P RP | 73049000 | SEAMLESS CARBON STEEL PIPES | 49.00 | 30,051 | 14,72,488 | PUC |
| 2010-11 | 20101215 | CHINA P RP | 73049000 | CARBON STEEL SEAMLESS PIPE ASTM A106/API5L | 49.00 | 29,624 | 14,51,574 | PUC |
| 2010-11 | 20101214 | GERMANY | 73049000 | M S SEAMLESS PIPES SECOND CHOICE MIX | 48.00 | 22,083 | 10,59,999 | PUC |
| 2010-11 | 20101211 | GERMANY | 73049000 | OIL WELL EQUIPMENT : PIPE SMLS OD (MM) 219.10 WALL THICKNESS (MM) 8.18 ASTM A10 | 47.97 | 1,14,343 | 54,84,977 | PUC |
| 2010-11 | 20101231 | ITALY | 73042990 | PIPE SMLS PIPE SMLS PIPE SMLS (QTY 94.07 MTR - UNIT PRICE 685.41 USD/MTR) | 46.70 | 1,34,243 | 62,69,156 | PUC |
| 2010-11 | 20101119 | CHINA P RP | 73043939 | HYDRAULIC CYLINDER HONED TUBE - 160/130*7700MM | 46.69 | 47,753 | 22,29,447 | PUC |
| 2010-11 | 20101215 | U K | 73049000 | CARBON STEEL SECONDARY PRECISION ERW PIPES | 46.00 | 29,329 | 13,49,145 | PUC |
| 2010-11 | 20101218 | CHINA P RP | 73043119 | TUBES.OD 44.5MM X THK 5.0MM X L.10-12M.SA210-A1(412 PCS- 4489.3 MTR /\$6.290 PER | 46.00 | 57,074 | 26,25,397 | PUC |
| 2010-11 | 20101228 | CHINA P RP | 73042990 | OD : 2-7/8 , 6.5 PPF, EUE, GRADE J55, (TUBING) - ESSENTIAL CERTIFICATE NO.ECIN2 | 45.88 | 2,28,820 | 1,04,99,125 | PUC |
| 2010-11 | 20101221 | CHINA P RP | 73045910 | CARBON STEEL SEAMLESS TUBES GRADE SA210-A1 OD 50.8* MW 4.06* 10000MM LG | 45.78 | 55,116 | 25,23,277 | PUC |
| 2010-11 | 20101220 | U S A | 73049000 | SECONDARY DEFCETIVE MILD STEEL SEAMLES PIPE | 45.00 | 25,668 | 11,55,062 | PUC |
| 2010-11 | 20101213 | JAPAN | 73049000 | CARBON STEEL PIPES (SECONDARY DEFECTIVE) NON ALLOY. | 45.00 | 23,496 | 10,57,325 | PUC |
| 2010-11 | 20101203 | U S A | 73043911 | SECONDARY DEFECTIVE MS SEAMLESS PIPE | 45.00 | 22,539 | 10,14,260 | PUC |
| 2010-11 | 20101202 | CHINA P RP | 73045910 | SEAMLESS STEEL TUBES ASME SA210M GR.A1 38.1 OD X 3.66 WT X 11000 LG | 44.34 | 53,325 | 23,64,151 | PUC |
| 2010-11 | 20101209 | U S A | 73049000 | SECONDARY/DEFECTIVE M.S. PIPES OF VARIOUS SIZE (PIC NO. 08186/K/D/102888/A DT:1 | 44.00 | 27,013 | 11,88,589 | PUC |
| 2010-11 | 20101202 | U S A | 73049000 | CARBON STEEL SECONDARY DEFECTIVE SEAMLESS PIPE | 44.00 | 25,406 | 11,17,877 | PUC |
| 2010-11 | 20101220 | ITALY | 73043911 | COLD DRAWN SEAMLESS STEEL TUBE160,00 X 10,00 X 4000,00 E355 | 43.22 | 71,258 | 30,79,888 | PUC |
| 2010-11 | 20101201 | CHINA P RP | 73049000 | CARBON STEEL SEAMLESS PIPES API 5L GR.B(44RD EDITION 2007)/ASTM A53B/ASTM A106 | 43.00 | 31,070 | 13,36,025 | PUC |
| 2010-11 | 20101215 | CHINA P RP | 73043119 | BOILER QUALITY COLD DRAWN SEAMLESS CARBON STEEL PIPE/TUBES -CONFIRMING TO GRADE | 42.25 | 46,649 | 19,70,726 | PUC |
| 2010-11 | 20101209 | U S A | 73069090 | COLD DRAWN SEAMLESS TUBING A519 (SIZE: 244.6 OD X 186.94ID) | 42.20 | 1,18,183 | 49,87,602 | PUC |
| 2010-11 | 20101218 | CHINA P RP | 73049000 | CARBON STEEL SEAMLESS PIPES ASTM A 106 GR.B | 38.30 | 40,947 | 15,68,288 | PUC |
| 2010-11 | 20101202 | CHINA P RP | 73049000 | SEAMLESS CARBON STEEL PIPES | 38.00 | 30,715 | 11,67,154 | PUC |
| 2010-11 | 20101202 | CHINA P RP | 73041190 | CARBON STEEL TUBES SA 179 (38.1MM OD X 2.11 MM(MIN) WT X 12200 LG) 18751.4 MTR | 35.13 | 62,575 | 21,98,200 | PUC |
| 2010-11 | 20101206 | CHINA P RP | 73041110 | C S TUBE : SEAMLESS TUBE SA-179 25.4 X 2.77 X 12000 MM 1855 PCS | 35.00 | 61,545 | 21,54,091 | PUC |
| 2010-11 | 20101227 | CHINA P RP | 73049000 | PIN STEEL TUBE SCM415H OD17.30 X ID 12.00MM | 34.63 | 1,11,291 | 38,53,796 | PUC |
| 2010-11 | 20101122 | CHINA P RP | 73045110 | STEEL TUBE DIA 4.76X 0.60 MM WITH COPPER COATED | 33.87 | 63,074 | 21,36,117 | PUC |
| 2010-11 | 20101221 | CHINA P RP | 73045910 | CARBON STEEL SEAMLESS TUBES GR. SA210.A1 76.2 OD X 6.35 MIN WT X 6000 LG | 32.50 | 51,599 | 16,77,176 | PUC |
| 2010-11 | 20101208 | JAPAN | 73043911 | CS NACE SEAMLESS PIPES - 100MM (4) SCH 80/XS CS SMLS PIPE ASTM A106 GR.B MULTI | 32.14 | 1,27,395 | 40,94,356 | PUC |
| 2010-11 | 20101230 | U S A | 73069090 | A519 COLD DRAWN SEAMLESS TUBING SRA (SIZE; 273.05OD X 188.91ID) | 31.64 | 85,062 | 26,91,697 | PUC |
| 2010-11 | 20101213 | JAPAN | 73049000 | CARBON STEEL PIPES (SECONDARY DEFECTIVE) NON ALLOY. | 31.00 | 23,715 | 7,35,155 | PUC |
| 2010-11 | 20101218 | CHINA P RP | 73043119 | TUBES 76.2MM X 6.6MM -10-12M ,GRADE.SA210-C (60 PCS -656.1 MTRS X\$14.630 PER M | 31.00 | 56,364 | 17,47,277 | PUC |
| 2010-11 | 20101220 | JAPAN | 73043911 | CS NACE PIPES (ASTM A106 GR.B) SIZE: 10 | 28.00 | 86,619 | 24,25,340 | PUC |
| 2010-11 | 20101220 | JAPAN | 73049000 | SEAMLESS ALLOY STEEL TUBES JIS G3441 SCM415TK 36.70MM OD X 28.10MM ID X 5M | 27.85 | 1,39,368 | 38,81,412 | PUC |

**Import Data from DGCIS [All Countries PUC]
Apr 2009 to Jun 2012**

| Year | Date | Country | ITC-HS | Item-Des | Quantity (MT) | Price (Rs./MT) | Value (Rs) | PUC/ NPUC |
|---------|----------|-------------|----------|---|---------------|----------------|------------|--------------|
| 2010-11 | 20101222 | U ARAB EMTS | 73049000 | M. S. SECONDARY SECOND CHOICE SEAMLESS PIPE | 27.00 | 25,436 | 6,86,760 | PUC |
| 2010-11 | 20101203 | SINGAPORE | 73041910 | SECONDARY STEEL PIPES | 27.00 | 23,537 | 6,35,486 | PUC |
| 2010-11 | 20101230 | CHINA P RP | 73041910 | HOLLOW BAR / BAR STOCK OF RELAVANT DIA (6-5/8 OD) | 26.77 | 1,90,316 | 50,95,070 | PUC |
| 2010-11 | 20101202 | SPAIN | 98010013 | 98010013 TUBES (C/S)(S37/33/2009)TO SPEC.SA 210-07 | 26.00 | 1,01,828 | 26,47,536 | PUC |
| 2010-11 | 20101130 | U S A | 73041190 | CARBON STEEL SEAMLESS PIPE SIZE ASTM A 106-GRADE A42.2MMX4MMX5800MM | 26.00 | 31,801 | 8,26,819 | PUC |
| 2010-11 | 20101227 | SINGAPORE | 73041910 | SEC/DEF PIPES | 26.00 | 23,838 | 6,19,794 | PUC |
| 2010-11 | 20101216 | U ARAB EMTS | 73049000 | CARBON STEEL SECONDARY SEAMLESS WELDED PIPES | 26.00 | 23,244 | 6,04,334 | PUC |
| 2010-11 | 20101209 | U ARAB EMTS | 73049000 | SECONDARY SECOND CHOICE CARBON STEEL SEAMLESS/WELDED PIPES | 26.00 | 21,453 | 5,57,790 | PUC |
| 2010-11 | 20101229 | U ARAB EMTS | 73049000 | SECONDARY SECOND CHOICE CARBON STEEL | 26.00 | 21,001 | 5,46,030 | PUC |
| 2010-11 | 20101227 | CHINA P RP | 73049000 | CARBON STEEL SEAMLESS PIPES CONFIRMING TO ASTM A 106 GRADE B | 26.00 | 34,633 | 9,00,453 | PUC |
| 2010-11 | 20101213 | CHINA P RP | 73041910 | SEAMLESS STEEL TUBES GRADE SAE52100/GCR15 (SIZE: 63.0 X 55.0 X 4.0 MM) | 25.94 | 60,984 | 15,82,157 | PUC |
| 2010-11 | 20101215 | CHINA P RP | 73041910 | SEAMLESS STEEL TUBES GRADE SAE52100/GCR15 (SIZE: 63.0 X 55.0 X 4.0 MM) | 25.77 | 60,991 | 15,71,855 | PUC |
| 2010-11 | 20101218 | CHINA P RP | 73045110 | COLD DRAWN CARBON STEEL SEAMLESS MOTHER TUBES (MOTHER HOLLOW) DIN17175 ST35.8 F | 25.52 | 46,688 | 11,91,488 | PUC |
| 2010-11 | 20101130 | CHINA P RP | 73041110 | MS SEAMLESS PIPES /TUBES 33.4X4.55X5800MM(5.304MTS)/48.3X3.68X5800MM(5.7MTS)/6 | 25.43 | 26,042 | 6,62,352 | PUC |
| 2010-11 | 20101231 | U S A | 73069090 | A519 COLD DRAWN SEAMLESS TUBING SRA (SIZE:273.05OD X 188.91ID) | 25.17 | 1,06,334 | 26,76,555 | PUC |
| 2010-11 | 20101213 | U ARAB EMTS | 73049000 | CARBON STEEL SECONDARY SEAMLESS PIPES | 25.00 | 23,287 | 5,82,182 | PUC |
| 2010-11 | 20101218 | CHINA P RP | 73041990 | CARBON STEEL SEAMLESS PIPES DIN 17175 ST 35.8 (FULLY KILLED)SIZE 33.4X3.38 LENG | 25.00 | 46,439 | 11,60,977 | PUC |
| 2010-11 | 20101223 | CHINA P RP | 73041910 | SEAMLESS STEEL PIPES API 5L/ASTM ASTM A106 GR.B 168.3MMX7.11MM | 25.00 | 42,195 | 10,54,882 | PUC |
| 2010-11 | 20101220 | CHINA P RP | 73043939 | CARBON STEEL SEAMLESS TUBES GRADE:20#SIZE:27MM * 3MM * 11-11.8M | 25.00 | 40,399 | 10,09,966 | PUC |
| 2010-11 | 20101229 | CHINA P RP | 73049000 | CARBON STEEL SEAMLESS PIPES | 25.00 | 30,634 | 7,65,857 | PUC |
| 2010-11 | 20101130 | CHINA P RP | 73041190 | CARBON STEEL SEAMLESS PIPE SIZE ASTM A 106-GRADE B98MMX4MMX5800MM | 25.00 | 29,967 | 7,49,185 | PUC |
| 2010-11 | 20101126 | CHINA P RP | 73043119 | CARBON STEEL SEAMLESS PIPES AS PE ASTM A106/API 5L GR-B | 25.00 | 28,851 | 7,21,278 | PUC |
| 2010-11 | 20101211 | U ARAB EMTS | 73042310 | OIL WELL DRILL PIPES AS PER API STANDARDS, SIZE 3.1/2 WEIGHT 13.30 LBS/FT, GRA | 24.70 | 2,75,610 | 68,07,142 | PUC |
| 2010-11 | 20101202 | SWITZERLAND | 73049000 | SEMI PROFILE KBK I - 7995 MTR | 24.67 | 72,099 | 17,78,321 | PUC |
| 2010-11 | 20101222 | GERMANY | 73045910 | SEAMLESS MEDIUM-CARBON STEEL B & H TUBES ASME SA-210M-HF GRADE A-1 50.800 X | 24.26 | 84,999 | 20,61,640 | PUC |
| 2010-11 | 20101221 | CHINA P RP | 73045910 | CARBON AND ALLOY STEEL SEAMLESS TUBES GRADE SA210-A1 OD 50.8* MW 4.06* 1000MM | 24.25 | 56,782 | 13,77,234 | PUC |
| 2010-11 | 20101218 | CHINA P RP | 73041910 | SEAMLESS STEEL TUBE 43*7MM | 24.20 | 50,405 | 12,19,591 | PUC |
| 2010-11 | 20101220 | ITALY | 73049000 | SECONDARY SEAMLESS CARBON STEEL PIPES | 24.00 | 37,053 | 8,89,263 | PUC |
| 2010-11 | 20101222 | U S A | 73049000 | SECONDARY CARBON SEAMLESS PIPE | 24.00 | 22,168 | 5,32,029 | PUC |
| 2010-11 | 20101204 | CHINA P RP | 73049000 | 30.00MMX6.8MM(O.D X W.T) (SEAMLESS STEEL TUBES BK 5-5.8 METER ST 52 TENS | 24.00 | 53,441 | 12,82,579 | PUC |
| 2010-11 | 20101227 | CHINA P RP | 73041990 | SEAMLESS STEEL TUBING COUPLING STOCK API 5CT : 96MM X 10MM J55 | 24.00 | 46,843 | 11,24,243 | PUC |
| 2010-11 | 20101229 | CHINA P RP | 73041990 | CARBON STEEL SEAMLESS PIPES,ASTM A 106 GR.B (83X14MM) | 24.00 | 40,036 | 9,60,871 | PUC |
| 2010-11 | 20101223 | CHINA P RP | 73049000 | CARBON STEEL SEAMLESS PIPES ASTM A 106 GRADE B | 24.00 | 31,477 | 7,55,440 | PUC |
| 2010-11 | 20101202 | CHINA P RP | 73049000 | CARBON STEEL SEAMLESS PIPES | 24.00 | 29,726 | 7,13,413 | PUC |
| 2010-11 | 20101216 | ITALY | 73043119 | SEAMLESS COLD DRAWN TUBES (202.00 X **** X 21.00MM) | 23.91 | 1,04,654 | 25,02,705 | PUC |
| 2010-11 | 20101216 | U ARAB EMTS | 73049000 | CARBON STEEL SECONDARY SEAMLESS PIPES | 23.00 | 23,878 | 5,49,185 | PUC |
| 2010-11 | 20101221 | CHINA P RP | 73041910 | CARBOW STEEL SEAMLESS PIPES ASTM A106/API 5L GR. B.44.45MMX5.10MM X5.8M | 23.00 | 47,802 | 10,99,438 | PUC |
| 2010-11 | 20101125 | CHINA P RP | 73041910 | M.S STEEL TUBE (1780 PCS@ USD20.0723932 PER PC) | 22.91 | 72,288 | 16,56,407 | PUC |
| 2010-11 | 20101001 | CHINA P RP | 73043139 | STEEL HONED TUBES (OD 245 X ID 190 MM) NT.WT. 22583 KGS | 22.87 | 81,304 | 18,59,540 | PUC |
| 2010-11 | 20101215 | CHINA P RP | 73045920 | SEAMLESS CARBON STEEL PIPES API 5L/ASTM A106 GR.B 219.1MM X 8.18MM | 22.06 | 39,721 | 8,76,124 | PUC |
| 2010-11 | 20101228 | JAPAN | 73049000 | SECONDARY SEAMLESS CARBON STEEL PIPES | 22.00 | 37,099 | 8,16,173 | PUC |

**Import Data from DGCIS [All Countries PUC]
Apr 2009 to Jun 2012**

| Year | Date | Country | ITC-HS | Item-Des | Quantity (MT) | Price (Rs./MT) | Value (Rs) | PUC/ NPUC |
|---------|----------|-------------|----------|---|---------------|----------------|------------|--------------|
| 2010-11 | 20101222 | U ARAB EMTS | 73049000 | M. S. SECONDARY SECOND CHOICE SEAMLESS PIPE | 22.00 | 25,987 | 5,71,707 | PUC |
| 2010-11 | 20101213 | CHINA P RP | 73049000 | CARBON STEEL SEAMLESS PIPE ASTM A179 | 22.00 | 50,927 | 11,20,384 | PUC |
| 2010-11 | 20101207 | CHINA P RP | 73049000 | SEAMLESS CARBON STEEL PIPES | 21.39 | 32,305 | 6,90,907 | PUC |
| 2010-11 | 20101222 | CHINA P RP | 73049000 | SEAMLESS TUBE 90MM X 90 MM X 7 MM; L=9 M RM34 | 21.16 | 73,109 | 15,46,677 | PUC |
| 2010-11 | 20101231 | CHINA P RP | 73043119 | CARBONE STEEL SEAMLESS TUBES.ASME SA210 GR.A1,44.5 OD X 4.50 WT X 11300 LG (273 | 21.14 | 54,461 | 11,51,040 | PUC |
| 2010-11 | 20101221 | CHINA P RP | 73045910 | CARBON STEEL SEAMLESS TUBES GRADE SA210-A1 OD 76.2* MW 6.35* 8500MM LG | 21.01 | 32,293 | 6,78,459 | PUC |
| 2010-11 | 20101221 | U S A | 73049000 | SECONDARY SECOND CARBON STEEL SEAMLESS / WELDED PIPES MIXED THICKNESS MIXED LO | 21.00 | 24,062 | 5,05,305 | PUC |
| 2010-11 | 20101202 | CHINA P RP | 73043939 | COLD DRAWN NON ALLOY STEEL SEAMLESS TUBES/PIPES ASTM A519 GRADE 1035 SIZE:52.72 | 21.00 | 53,163 | 11,16,431 | PUC |
| 2010-11 | 20101221 | CHINA P RP | 73043119 | CARBON STEEL SEAMLESS TUBES.44.5X4.5X11300MM (3243.1 MTRS -287 PCS =\$4.80/MTR) | 21.00 | 47,745 | 10,02,644 | PUC |
| 2010-11 | 20101221 | CHINA P RP | 73049000 | CARBON SEAMLESS PIPES (API 5L / ASTM A106 GR.B) | 21.00 | 42,496 | 8,92,414 | PUC |
| 2010-11 | 20101214 | CHINA P RP | 73049000 | STEEL TUBES.O.D.19.7X14.5X2.60MM | 20.74 | 1,10,760 | 22,97,606 | PUC |
| 2010-11 | 20101203 | U ARAB EMTS | 73049000 | M. S. SECONDARY DEFECTIVE SEAMLESS PIPE | 20.00 | 26,452 | 5,29,037 | PUC |
| 2010-11 | 20101230 | U S A | 73049000 | SECONDARY SECOND CARBON STEEL SEAMLESS/ WELDED PIPES MIXED THICKNESS MIXED LOT | 20.00 | 23,950 | 4,78,991 | PUC |
| 2010-11 | 20101210 | CHINA P RP | 73045110 | BEARING QUALITY STEEL TUBE SAE-52100 & SUJ-3 (TMB6304 OR) SIZE: 52.6 X5.55MM | 20.00 | 70,768 | 14,15,357 | PUC |
| 2010-11 | 20101102 | CHINA P RP | 73041190 | ASTMA 106 GR.B SEAMLESS STEEL PIPE (32MM*7MM*5.35M) | 20.00 | 37,716 | 7,54,320 | PUC |
| 2010-11 | 20101227 | CHINA P RP | 73069090 | CUT BLANK RINGS - 6202 IR CUT BLANKS - OD22.35MM X ID14.25MM (TUBES MADE FROM | 19.42 | 1,13,379 | 22,01,934 | PUC |
| 2010-11 | 20101227 | CHINA P RP | 73049000 | CARBON STEEL SEAMLESS PIPES ASTM A106GR.B/ASTM A53GRB/API5L GR.B | 19.00 | 32,517 | 6,17,823 | PUC |
| 2010-11 | 20101217 | CHINA P RP | 73041910 | SEAMLESS CARBON STEEL PIPES - 70.0MM X 12.5MM X 5MM (212 PCS) (1060 MTR) | 18.79 | 48,182 | 9,05,289 | PUC |
| 2010-11 | 20101202 | CHINA P RP | 73049000 | ALLOY STEEL SEAMLESS TUBE 20CR 13.3*9 | 18.00 | 77,273 | 13,90,921 | PUC |
| 2010-11 | 20101216 | CHINA P RP | 73069090 | BEARING STEEL TUBES - OR6203 | 18.00 | 73,266 | 13,18,786 | PUC |
| 2010-11 | 20101223 | CHINA P RP | 73045110 | SEAMLESS STEEL TUBES GRADE SA210-A1 OD 50.8 MM X WT 4.06 MM (MW) X 9000 MM | 17.87 | 97,762 | 17,46,814 | PUC |
| 2010-11 | 20101227 | GERMANY | 73043911 | CS NACE PIPES - CS NACE SEAMLESS PIPES (API 5L-B, ASME B36.10M) SIZE: 20 (C/O. | 17.70 | 1,99,711 | 35,35,291 | PUC |
| 2010-11 | 20101215 | ITALY | 73069090 | SEAMLESS COLD DRAWN TUBES (73,00 X 63,00 MM) | 17.25 | 2,21,645 | 38,22,343 | PUC |
| 2010-11 | 20101216 | CHINA P RP | 73045110 | STEEL TUBE DIA 4.76 X 0.60 MM WITH COPPER COATED | 17.14 | 60,333 | 10,34,343 | PUC |
| 2010-11 | 20101218 | ITALY | 73049000 | SEAMLESS COLD DRAWN TUBES - 168,00X***X15,00MM(PARTS FOR DOZERS) | 16.00 | 1,02,267 | 16,36,276 | PUC |
| 2010-11 | 20101224 | CHINA P RP | 73045110 | SEAMLESS STEEL TUBES GRADE SA210-A1 OD 63.5 MM X WT 4.06MM (MW) X 6000 MM | 15.90 | 53,482 | 8,50,089 | PUC |
| 2010-11 | 20101225 | CHINA P RP | 73045110 | SEAMLESS STEEL TUBES GRADE SA-210-A1 SIZE 63.5*MMW4.06*8400MM | 14.94 | 53,569 | 8,00,107 | PUC |
| 2010-11 | 20101211 | CHINA P RP | 73043911 | PIPE SEAMLESS ASTM A106B IBR 16 NA SCH80 PLAIN END ASME B36.10M | 14.67 | 71,113 | 10,43,082 | PUC |
| 2010-11 | 20101215 | CHINA P RP | 73045910 | SEAMLESS CARBON STEEL PIPES API 5L/ASTM A106 GR.B 114.3MM X 6.02MM | 14.54 | 39,781 | 5,78,420 | PUC |
| 2010-11 | 20101222 | CHINA P RP | 73041910 | ATSM-A 106 GRADE B CARBON STEEL SEAMLESS PIPE-58 NOS | 14.00 | 48,286 | 6,76,006 | PUC |
| 2010-11 | 20101211 | U ARAB EMTS | 73042310 | OIL WELL DRILL PIPES AS PER API STANDARDS,SIZE 3.1/2 WEIGHT 13.30 LBS/FT, GRAD | 13.30 | 2,66,193 | 35,40,144 | PUC |
| 2010-11 | 20101202 | SWEDEN | 73043129 | CDS STEEL TUBES AS PER DIN 2391 VAE140 160 MM X 139.40 MM | 13.01 | 1,32,634 | 17,25,483 | PUC |
| 2010-11 | 20101211 | SWEDEN | 73041110 | CARBON STEEL TUBING R38 X 3.0 MM | 12.50 | 1,49,798 | 18,71,848 | PUC |
| 2010-11 | 20101208 | JAPAN | 73043911 | CS NACE SEAMLESS PIPES (100MM(4) SCH XXS CS SMLS PIPE ASTM A106 GR.B MULTI SPE | 12.33 | 85,383 | 10,52,430 | PUC |
| 2010-11 | 20101223 | CHINA P RP | 73045110 | SEAMLESS STEEL TUBES GRADE SA210-A1 OD 63.5 MM X WT 4.06MM (MW) X 6600 MM | 12.30 | 51,553 | 6,34,105 | PUC |
| 2010-11 | 20101227 | SINGAPORE | 73049000 | DRILL PIPE HEAVY WEIGHT 5 OD X 3 ID NC 50 (4-1/2 IF) CONNECTION | 12.00 | 1,07,346 | 12,88,147 | PUC |
| 2010-11 | 20101202 | JAPAN | 73043939 | SEAMLESS CYLINDER PIPES OD 267.0X6.5X5500-10550 | 12.00 | 1,03,627 | 12,43,524 | PUC |
| 2010-11 | 20101215 | CHINA P RP | 73041190 | SEAMLESS STEEL TUBES ST20.30MM X 8.102MM SCM415H | 11.69 | 1,22,759 | 14,34,439 | PUC |
| 2010-11 | 20101215 | CHINA P RP | 73045110 | STEEL TUBE DIA 4.76 X 0.60 MM WITH COPPER COATED | 11.47 | 60,333 | 6,91,936 | PUC |
| 2010-11 | 20101202 | CHINA P RP | 73069090 | CUT BLANK RINGS - 6202 IR CUT BLANKS - OD22.35MM X ID14.25MM (TUBES MADE FROM | 11.08 | 1,09,969 | 12,18,350 | PUC |
| 2010-11 | 20101213 | JAPAN | 73043911 | CS NACE SEAMLESS PIPES (ASTM A106 GR.B) SIZE: 4 | 11.00 | 93,352 | 10,26,870 | PUC |

**Import Data from DGCIS [All Countries PUC]
Apr 2009 to Jun 2012**

| Year | Date | Country | ITC-HS | Item-Des | Quantity (MT) | Price (Rs./MT) | Value (Rs) | PUC/ NPUC |
|---------|----------|------------|----------|---|---------------|----------------|------------|--------------|
| 2010-11 | 20101229 | CHINA P RP | 73069090 | BEARING SEAMLESS STEEL TUBES - 6301IR (7 BUNDLES) | 10.48 | 74,250 | 7,77,916 | PUC |
| 2010-11 | 20101227 | CHINA P RP | 73041190 | SEAMLESS STEEL TUBES ST20.30MM X 8.102M SCM415H | 10.32 | 1,22,759 | 12,66,259 | PUC |
| 2010-11 | 20101209 | ROMANIA | 98010013 | SEAMLESS CARBON STEEL PIPES TO SPEC SA106 S37/28/2010 CIF RS. 1377126 | 10.00 | 1,37,713 | 13,77,127 | PUC |
| 2010-11 | 20101221 | CHINA P RP | 73049000 | CARBON STEEL SEAMLESS PIPES API 5L/ ASTM A106/A53 GR.B | 10.00 | 45,032 | 4,50,322 | PUC |
| 2010-11 | 20101214 | KOREA RP | 73043119 | STEEL TUBE ZN COATED [195000 METERS] | 9.90 | 89,141 | 8,82,500 | PUC |
| 2010-11 | 20101211 | GERMANY | 73049000 | OIL WELL EQUIPMENT : PIPE SMLS OD (MM) 60.3 WALL THICKNESS (MM) 5.54 ASTM A106 | 9.77 | 3,04,371 | 29,75,015 | PUC |
| 2010-11 | 20101215 | CHINA P RP | 73045920 | SEAMLESS CARBON STEEL PIPES API 5L/ASTM A106 GR.B 219.1MM X 8.18MM | 9.63 | 40,197 | 3,86,933 | PUC |
| 2010-11 | 20101222 | CHINA P RP | 73043119 | SEAMLESS CARBON STEEL TUBE GRADE SAE52100/GCR15 SIZE 41.3 X X33.7 X 3.8 | 8.74 | 61,841 | 5,40,676 | PUC |
| 2010-11 | 20101214 | JAPAN | 73049000 | COLD DRAWN SEAMLESS TUBE ITEM NO. RGPS024 10.4(+/-0.05) X7.0(0.2/-0)MM GRADE | 8.25 | 2,69,530 | 22,23,085 | PUC |
| 2010-11 | 20101223 | U S A | 73042200 | OILWELL EQUIPMENT (OLD & USED) RE-EXPORT BASIS: USED DRILL PIPE 3-1/2 , GRADE S | 8.00 | 1,22,281 | 9,78,250 | PUC |
| 2010-11 | 20101220 | JAPAN | 73043911 | CS NACE PIPES (ASTM A106 GR.B) SIZE: 10 | 8.00 | 95,319 | 7,62,548 | PUC |
| 2010-11 | 20101230 | CHINA P RP | 73049000 | WASTE PIPE 92-95G, MULTIPLEX BAG BATHROOM ACESSORIES (SANITARY WARE) (75000 PCS | 7.84 | 27,382 | 2,14,678 | PUC |
| 2010-11 | 20101211 | GERMANY | 73049000 | OIL WELL EQUIPMENT : PIPE SMLS OD (MM) 8 WALL THICKNESS (MM) SCH-120 ASTM A106 | 7.52 | 1,83,824 | 13,82,358 | PUC |
| 2010-11 | 20101210 | ITALY | 73049000 | SEAMLESS COLD DRAWN TUBES FOR HYDRAULIC CYLINDERS(PARTS FOR DOZERS) | 7.00 | 65,389 | 4,57,723 | PUC |
| 2010-11 | 20101215 | JAPAN | 73049000 | COLD DRAWN SEAMLESS STEEL TUBE O.D. 13.20MM X I.D.9.00MM GRADE SCM-415H (JIS G | 6.99 | 2,91,892 | 20,40,620 | PUC |
| 2010-11 | 20101221 | CHINA P RP | 73045910 | CARBON STEEL SEAMLESS TUBES GRADE SA210-A1 OD 50.8* MW 6.35* 11000MM LG | 6.68 | 62,326 | 4,16,636 | PUC |
| 2010-11 | 20101217 | U S A | 73049000 | OIL WELL EQUIPMENT (OLD & USED) RE-EXPORT BASIS : 7. 5/8 OD WASHPIPE WITH 7. 5 | 6.50 | 1,09,567 | 7,12,187 | PUC |
| 2010-11 | 20101222 | GERMANY | 73045910 | CARBON STEEL TUBES ASME SA-210M GRADE A-1 OD 50.800 X 3.250 MM MW X LTH 6300. | 6.18 | 1,29,778 | 8,02,023 | PUC |
| 2010-11 | 20101222 | JAPAN | 73043911 | CS NACE SEAMLESS PIPES (A106 GR.B) SIZE: 6 | 6.00 | 2,22,146 | 13,32,875 | PUC |
| 2010-11 | 20101223 | U S A | 73041110 | SEAMLESS PIPE ASTM B 464 ALLOY 20 UNS NO. 8020 SIZE: 1-1/2 NB X SCH 80 X 39. | 6.00 | 1,25,174 | 7,51,045 | PUC |
| 2010-11 | 20101229 | GERMANY | 73043911 | BOILER QUALITY SEAMLESS CARBON STEEL TUBES TO SPEC SA 210 | 6.00 | 64,646 | 3,87,874 | PUC |
| 2010-11 | 20101209 | JAPAN | 73049000 | SEAMLESS TUBES SCM415H O.D16.20XI.D11.0 MM | 5.80 | 2,80,725 | 16,27,016 | PUC |
| 2010-11 | 20101227 | JAPAN | 73043911 | CS NACE SEAMLESS PIPES (ASTM A 106 GR.B) SIZE: 10 | 5.47 | 86,667 | 4,74,330 | PUC |
| 2010-11 | 20101206 | CHINA P RP | 73049000 | STKM11A E-C 38.0 X 1.6 X 3500-4000 STEEL TUBE FOR FUEL PUMP | 5.45 | 2,19,812 | 11,97,757 | PUC |
| 2010-11 | 20101216 | UKRAINE | 73043939 | SEAMLESS STEEL PIPES S355J2H /273 X 45 | 5.32 | 2,45,157 | 13,03,106 | PUC |
| 2010-11 | 20101120 | CHINA P RP | 73049000 | COLD DRAWN SEAMLESS HONED STEEL TUBES (MATERIAL-ST 52 DIN2391) SIZE ID-100MMX O | 5.00 | 47,571 | 2,37,856 | PUC |
| 2010-11 | 20101229 | ITALY | 73043911 | CS NACE PIPES (PIPE 42 WT. 15.88 API 5L GR.B SMLS/LSAW WITH 100% RT - PSL1- NA | 4.98 | 1,26,681 | 6,30,870 | PUC |
| 2010-11 | 20101221 | CHINA P RP | 73045110 | BEARING QUALITY STEEL TUBE - SAE52100 : (SIZE : 60.7*7.3) | 4.92 | 62,303 | 3,06,217 | PUC |
| 2010-11 | 20101209 | U S A | 73049000 | OIL WELL EQUIPMENT : 6-1/2 OD X 2-13/16 ID X 31 FT LONG BORED BAR, BAR # 7994 | 3.10 | 1,11,823 | 3,46,650 | PUC |
| 2010-11 | 20101221 | CHINA P RP | 73043931 | SEAMLESS CARBON STEEL PIPES(TO SPEC SA106)OD168.30X7.11X6500 | 3.00 | 76,305 | 2,28,915 | PUC |
| 2010-11 | 20101223 | CHINA P RP | 73045110 | SEAMLESS STEEL TUBES GRADE SA210-A1 OD 63.5 MM X WT 4.06MM (MW) X 6400 MM | 2.60 | 53,078 | 1,38,214 | PUC |
| 2010-11 | 20101201 | ITALY | 73043121 | SEAMLESS COLD DRAWN TUBES FOR HYDRAULIC CYLINDER - HPS014-PSP00392 REV.0 STEEL | 2.50 | 88,587 | 2,21,290 | PUC |
| 2010-11 | 20101231 | TAIWAN | 73049000 | HONED TUBE STKM 13C (190MMX220MMX3110MM) | 2.36 | 52,893 | 1,24,789 | PUC |
| 2010-11 | 20101203 | SPAIN | 73045910 | SEAMLESS STEEL TUBES ASME II SA 210-07 GR.A1 101.6 X 8MM MW X 10000 MM | 2.03 | 1,04,439 | 2,11,802 | PUC |
| 2010-11 | 20101221 | CHINA P RP | 73045910 | CARBON AND ALLOY STEEL SEAMLESS TUBES GRADE SA210-A1 OD 50.8* MW 3.66* 5800MM | 2.03 | 63,212 | 1,28,069 | PUC |
| 2010-11 | 20101204 | GERMANY | 73041990 | SMLS. C/S HYDRAULIC TUBES SPEC. DIN 2391 C GR. ST 37.4 / 52.4 BEN 42 X 3.0 X 6 | 2.00 | 2,92,163 | 5,84,326 | PUC |
| 2010-11 | 20101125 | JAPAN | 73042990 | SMAMLESS STEEL CASING API 5CT L80 13 CR FOX (SIZE:7X26LBS XR3)(EC NO.ECIN201104 | 2.00 | 1,68,341 | 3,36,682 | PUC |
| 2010-11 | 20101209 | ROMANIA | 98010013 | SEAMLESS CARBON STEEL PIPES TO SPEC SA 106 S37/28/2010 CIF RS. 323031 | 2.00 | 1,61,516 | 3,23,031 | PUC |
| 2010-11 | 20101201 | CHINA P RP | 73042990 | ROUND KELLY, SIZE: OD 3-3/8 , LENGTH 18 FEET, (4 JOINTS) | 1.48 | 2,69,078 | 3,96,890 | PUC |
| 2010-11 | 20101206 | FRANCE | 73041190 | T2-400 GRIS, TUBE 28.6MM/EP 2MM/ LG 4M /GRIS (TUBES) | 1.31 | 75,397 | 98,954 | PUC |
| 2010-11 | 20101220 | GERMANY | 73049000 | STEEL TUBES 63.50 X 6.30 MM ASME SA-210 GR A-1 | 1.30 | 86,485 | 1,12,776 | PUC |

**Import Data from DGCIS [All Countries PUC]
Apr 2009 to Jun 2012**

| Year | Date | Country | ITC-HS | Item-Des | Quantity (MT) | Price (Rs./MT) | Value (Rs) | PUC/ NPUC |
|---------|----------|-------------|----------|--|---------------|----------------|-------------|--------------|
| 2010-11 | 20101209 | U S A | 73042390 | SLIP, DRILLPIPE 6-7/8 IN SDHL ROTARY WIT | 1.00 | 2,25,608 | 2,25,608 | PUC |
| 2010-11 | 20101213 | U S A | 73041190 | PIPE, STEEL LINE 5 IN SCH 80 SEAMLESS 21 FT SINGLE RANDOM LENGTH | 1.00 | 1,38,121 | 1,38,121 | PUC |
| 2010-11 | 20101208 | GERMANY | 73049000 | PIPES SA 106 GR.B (SEAMLESS PIPES)SIZE:-88.9 X 11.13 10-11.8M R/L 3 SCH 160 | 0.80 | 1,10,779 | 88,623 | PUC |
| 2010-11 | 20101207 | GERMANY | 73043939 | ALLOY STEEL SEAMLESS PIPE ACC. TO DIN 2448/1629, ST 52.0 SIZE(MM): 193.7 X 30.0 | 0.73 | 1,55,708 | 1,13,188 | PUC |
| 2010-11 | 20101208 | GERMANY | 73049000 | PIPES SA 106 GR.B (SEAMLESS PIPES)SIZE:-219.1 X 23.01 10-11.6M R/L 8 SCH 160 | 0.70 | 1,13,031 | 79,235 | PUC |
| 2010-11 | 20101202 | JAPAN | 73043911 | CS NACE SEAMLESS PIPES (150MM(6) SCH 80/XS CS SMLS PIPE ASTM A106 GR.B MULTI S | 0.70 | 2,02,133 | 1,41,493 | PUC |
| 2010-11 | 20101227 | JAPAN | 73043911 | CS NACE SEAMLESS PIPES (API 5L PSL-1 GRADE B/X42) SIZE: 5 | 0.68 | 1,25,007 | 84,380 | PUC |
| 2010-11 | 20101210 | GERMANY | 73043911 | CS NACE SEAMLESS PIPES (ASTM A106 GR.B) SIZE: 1 | 0.54 | 1,10,178 | 59,496 | PUC |
| 2010-11 | 20101210 | GERMANY | 73043911 | CS NACE SEAMLESS PIPES (ASTM A106 GR.B) SIZE: 1.5 | 0.50 | 2,03,840 | 1,01,920 | PUC |
| 2010-11 | 20101223 | SINGAPORE | 73042390 | DIE, INSERT FOR 6-5/8 IN DRILL PIPE | 0.40 | 80,334 | 32,455 | PUC |
| 2010-11 | 20101210 | GERMANY | 73043911 | CS NACE SEAMLESS PIPES (ASTM A106 GR.B) SIZE: 4 | 0.40 | 2,13,195 | 85,278 | PUC |
| 2010-11 | 20101229 | U ARAB EMTS | 73049000 | SECONDARY SECOND CHOICE CARBON STEEL | 0.40 | 26,253 | 10,501 | PUC |
| 2010-11 | 20101203 | CHINA P RP | 73049000 | SEAMLESS PIPE 33.7X4.05MM ST33-2 DIN 2441 (PART NO: 802103000100) | 0.22 | 66,292 | 14,729 | PUC |
| 2010-11 | 20101208 | U S A | 73044900 | TUBING, SEAMLESS 1/2 IN OD X 0.065 IN WA | 0.20 | 2,74,340 | 54,868 | PUC |
| 2010-11 | 20101213 | GERMANY | 73049000 | M.S.SEAMLESS PIPES SECOND CHOICE MIN | 0.10 | 1,12,120 | 11,212 | PUC |
| 2010-11 | 20101221 | CHINA P RP | 73043931 | SEAMLESS CARBON STEEL PIPES (TO SPEC SA 106)(OD 88.90 X 15.24 X 6000) | 0.10 | 93,910 | 9,391 | PUC |
| 2010-11 | 20101218 | CHINA P RP | 73049000 | CARBON STEEL SEAMLESS PIPES ASTM A 106 GR.B | 0.10 | 42,460 | 4,246 | PUC |
| 2010-11 | 20101214 | GERMANY | 73049000 | M S SEAMLESS PIPES SECOND CHOICE MIX | 0.08 | 1,40,150 | 11,212 | PUC |
| 2010-11 | 20101220 | U S A | 73049000 | SECONDARY DEFECTIVE MILD STEEL SEAMLES PIPE | 0.08 | 1,24,175 | 9,934 | PUC |
| 2010-11 | 20101202 | U S A | 73049000 | CARBON STEEL SECONDARY DEFECTIVE SEAMLESS PIPE | 0.04 | 1,15,600 | 4,046 | PUC |
| 2010-11 | 20101208 | GERMANY | 73049000 | PIPES SA 106 GR.B (SEAMLESS PIPES)SIZE:-88.9 X 11.13 10-11.8M R/L 3 SCH 160 | 0.03 | 1,04,387 | 3,236 | PUC |
| 2010-11 | 20101215 | CHINA P RP | 73049000 | CARBON STEEL SEAMLESS PIPES AS PER API 5L GRADE B/A 106B | 0.03 | 87,160 | 2,179 | PUC |
| 2010-11 | 20101206 | ITALY | 73043119 | 46821337 SLEEVE T/OBEARING (5 PCS) (FOR CAPTIVE USE) | 0.01 | 1,24,100 | 1,241 | PUC |
| 2010-11 | 20101202 | GERMANY | 73049000 | CARBON STEEL SECONDARY DEFECTIVE SEAMLESS PIPE | 0.01 | 1,13,500 | 1,135 | PUC |
| 2010-11 | 20110113 | CHINA P RP | 73041910 | PLAIN END SEAMLESS PIPES 2-7/8 OD (1284.433 MTS=137062.759METERS) | 1,257.78 | 44,005 | 5,53,48,784 | PUC |
| 2010-11 | 20110108 | CHINA P RP | 73042390 | SEAMLESS STEEL CASING PIPE AS PER API 5CT(OIL FEILD PURPOSE) AS PER DGH CERT N | 960.00 | 42,434 | 4,07,37,084 | PUC |
| 2010-11 | 20110113 | CHINA P RP | 73041910 | PLAIN END SEAMLESS PIPES 2-7/8 OD GRADE J-55 (92.144 MTS=9910.60 MTRS(OR) 1045 | 876.16 | 46,730 | 4,09,43,113 | PUC |
| 2010-11 | 20110108 | CHINA P RP | 73042390 | SEAMLESS STEEL CASING PIPE AS PER API 5CT(OIL FIELD PURPOSE) AS PER DGH CERT NO | 820.00 | 49,266 | 4,03,98,036 | PUC |
| 2010-11 | 20110105 | CHINA P RP | 73043119 | TUBES.44.5 OD X 4THK X 10-11.8 L SA 210 GR A1 (3921 PCS - 42111.73MTR - \$.4.05/ | 723.00 | 42,589 | 3,07,91,933 | PUC |
| 2010-11 | 20110124 | CHINA P RP | 73043911 | SEAMLESS CARBON STEEL HOLLOWES TO SPEC SA 210 | 705.00 | 53,911 | 3,80,07,339 | PUC |
| 2010-11 | 20110110 | ITALY | 73043911 | SEAMLESS CARBON STEEL TUBES (TO SPEC SA 210)(OD: 38,10 MM - 1,500 IN , WT: 5,30 | 662.00 | 80,112 | 5,30,33,972 | PUC |
| 2010-11 | 20110119 | CHINA P RP | 73045920 | SEAMLESS STEEL PIPES FOR CYLINDERS (SIZE: 139.7 MM X 4.5 MMX 5480 MM (6870 PCS) | 580.00 | 46,973 | 2,72,44,304 | PUC |
| 2010-11 | 20110121 | CHINA P RP | 73043911 | SEAMLESS CARBON STEEL TUBES TO SPEC SA 106 | 526.00 | 62,920 | 3,30,95,748 | PUC |
| 2010-11 | 20110121 | CHINA P RP | 73042990 | HOT ROLLED SEANLESS STEEL (CMN) TUBE, SIZE: 232MMX5.4MM 37MN | 525.00 | 56,155 | 2,94,81,304 | PUC |
| 2010-11 | 20110112 | CHINA P RP | 73042990 | 3. 1/2 9.3# N80 EUE PUPJOINT 1.5-2 MTRS (1 BUNDLE / 156 KGS) (EC NO. ECIN20110 | 505.66 | 94,095 | 4,75,79,423 | PUC |
| 2010-11 | 20110106 | CHINA P RP | 73043119 | TUBES.OD63.5MMXTHK 6.3MM XLENGTH 10-12 M.GRADE.SA210-C(4352 PCS-47824.6MTRS X | 466.00 | 55,643 | 2,59,29,732 | PUC |
| 2010-11 | 20110104 | CHINA P RP | 73043911 | SEAMLESS STEEL TUBES (GRADE 37MN) SIZE: 232 X 5.6 X 3050 MM CARBON STEEL | 436.00 | 41,127 | 1,79,31,324 | PUC |
| 2010-11 | 20110127 | CHINA P RP | 73049000 | C.S. SEAMLESS PIPE (DN 500XSCHXS) | 432.00 | 43,072 | 1,86,07,126 | PUC |
| 2010-11 | 20110110 | CHINA P RP | 73041110 | SEAMLESS STEEL CYLINDER PIPE JISG3429-88 SIZE: 232MM X 5.4MM 34 CRMO4 | 394.00 | 55,239 | 2,17,64,347 | PUC |
| 2010-11 | 20110131 | CHINA P RP | 73043911 | SEAMLESS STEEL CYLINDER PIPE (37MN) SIZE: 232MM X 5.4MM | 338.00 | 47,883 | 1,61,84,553 | PUC |
| 2010-11 | 20110117 | CHINA P RP | 73041190 | SEAMLESS CARBON STEEL PIPE AS PER API 5L GR.B/ASTM A 106 GRB INCH 6 SCH40 6 S | 338.00 | 28,759 | 97,20,464 | PUC |

**Import Data from DGCIS [All Countries PUC]
Apr 2009 to Jun 2012**

| Year | Date | Country | ITC-HS | Item-Des | Quantity (MT) | Price (Rs./MT) | Value (Rs) | PUC/ NPUC |
|---------|----------|-------------|----------|--|---------------|----------------|-------------|--------------|
| 2010-11 | 20110114 | JAPAN | 73043911 | CARBON STEEL SEAMLESS TUBES(SA210) SIZE:45MM OD X 6.9MM WT X 10000 MM | 325.41 | 75,548 | 2,45,84,301 | PUC |
| 2010-11 | 20110107 | CHINA P RP | 73043119 | TUBES(OD63.MM*X6.35MM*XLENGTH 3.6M SA210-C - 1323 PCS 4762.8 MTRS \$17.460 PER M | 315.00 | 77,593 | 2,44,41,647 | PUC |
| 2010-11 | 20110124 | CHINA P RP | 73043911 | SEAMLESS CARBON STEEL HOLLOW TO SPEC SA 210 | 306.00 | 47,055 | 1,43,98,865 | PUC |
| 2010-11 | 20110124 | CHINA P RP | 73043119 | COLD DRAWN SEAMLESS CARBON STEEL TUBES DIN1629/84 ST37.4 (SIZE : 30X2.5X10000-1 | 305.00 | 47,325 | 1,44,34,159 | PUC |
| 2010-11 | 20110110 | GERMANY | 73045910 | SEAMLESS ALLOY STEEL TUBES(SIZE 47630 X 10000 MM) | 296.00 | 1,13,308 | 3,35,39,266 | PUC |
| 2010-11 | 20110117 | CHINA P RP | 73049000 | CARBON STEEL SEAMLESS PIPES AS PER ASTM 106 GR B/API 5L GR B/A53 GR B | 294.00 | 31,991 | 94,05,324 | PUC |
| 2010-11 | 20110106 | CHINA P RP | 73043119 | TUBES.OD50.8MM X THK 5.15MM X L.10-12M SA210-C (2176 PCS - 22556.6 MTR / \$.7.75 | 272.00 | 56,323 | 1,53,19,761 | PUC |
| 2010-11 | 20110104 | CHINA P RP | 73043119 | SEAMLESS LINE PIPES ASTM A 106 GR.B/API 5L GR.B SIZE:4 X SCH40X5-5.8 MTR | 269.98 | 38,350 | 1,03,53,472 | PUC |
| 2010-11 | 20110131 | CHINA P RP | 73043119 | SEAMLESS PIPES ASTM A106 GR.B/API 5L GR.B 4 X SCH40 X 5-5.8 MTR | 269.13 | 38,945 | 1,04,81,107 | PUC |
| 2010-11 | 20110110 | CHINA P RP | 73041110 | SEAMLESS STEEL CYLINDER PIPES JISG3429-88 SIZE: 267MM X 7.7MM 34 CRMO4 | 267.00 | 55,257 | 1,47,53,525 | PUC |
| 2010-11 | 20110128 | CHINA P RP | 73049000 | SEAMLESS CARBON STEEL PIPES(API 5L/ASTM A106 GR.B) (219.1MM X 18.26MM) | 262.01 | 18,932 | 49,60,415 | PUC |
| 2010-11 | 20110125 | CHINA P RP | 73043919 | CARBON STEEL SEAMLESS TUBES TO ASTM A-179 (FULLY KILLED) (OD-25MM,THK 2.5MM, LE | 247.36 | 43,133 | 1,06,69,286 | PUC |
| 2010-11 | 20110101 | CHINA P RP | 73049000 | PRIME CARBON STEEL SEAMLESS PIPES (API 5LB/ASTM A106B/A53B)(2,2 1/2,3,4 X SCH4 | 244.00 | 39,517 | 96,42,269 | PUC |
| 2010-11 | 20110106 | CHINA P RP | 73043119 | TUBES.63.5MM X 4.0MM-10-12M.GRADE SA210-C 2650 PCS -27758.36 MTRS-\$7.850/MTR) 1 | 242.00 | 55,873 | 1,35,21,223 | PUC |
| 2010-11 | 20110118 | U ARAB EMTS | 73043939 | SEAMLESS STEEL TUBES (SIZE 232 MM X 5.4 MM 34CRMO4 | 237.00 | 48,183 | 1,14,19,310 | PUC |
| 2010-11 | 20110131 | CHINA P RP | 73049000 | MILD STEEL LOW CARBON SEAMLESS PIPES MIXED SECOND CHOICE | 234.00 | 22,943 | 53,68,743 | PUC |
| 2010-11 | 20110118 | CHINA P RP | 73041910 | SEAMLESS STEEL PIPES ASTMA 106 GR.B/API 5L GR.B219MM X 55MM | 230.00 | 32,236 | 74,14,301 | PUC |
| 2010-11 | 20110113 | GERMANY | 73043129 | TUBE 44.500X4000 MM MW SA 210 GR.A1[630PCS]-33161 KGS | 221.82 | 1,31,528 | 2,91,75,021 | PUC |
| 2010-11 | 20110131 | CHINA P RP | 73041190 | SEAMLESS CARBON STEEL PIPE API 5L GR.B/ASTM A106 GR.B SIZE.INCH3 ,4 ,5 ,6 ,SCH4 | 214.00 | 28,815 | 61,66,350 | PUC |
| 2010-11 | 20110121 | CHINA P RP | 73049000 | CARBON STEEL SEAMLESS PIPES - SIZE : 2 X SCH80 X 5.8M | 212.00 | 42,851 | 90,84,369 | PUC |
| 2010-11 | 20110118 | CHINA P RP | 73049000 | CARBON STEEL SEAMLESS PIPES AS PER ASTM A106 GR. B/API 5L GR. B/A53 GR. B | 207.00 | 32,071 | 66,38,722 | PUC |
| 2010-11 | 20110103 | CHINA P RP | 73049000 | CARBON STEEL SEAMLESS PIPES AS PER ASTM A106 GR.B/API 5L GR.B/A53 GR.B | 207.00 | 32,051 | 66,34,572 | PUC |
| 2010-11 | 20101119 | FRANCE | 73049000 | SEAMLESS STEEL TUBES (HOT FINISHED) SA210 GR-C (P.O. NO. 680133 | 206.00 | 2,56,473 | 5,28,33,348 | PUC |
| 2010-11 | 20110124 | CHINA P RP | 73049000 | CARBON STEEL SEAMLESS PIPES ASTM A 106 GR.B/API 5L GR.B | 205.00 | 29,376 | 60,21,982 | PUC |
| 2010-11 | 20110113 | CHINA P RP | 73041990 | SEAMLESS STEEL PIPES API 5L/ASTM A106 GR.C 168.3MM X 21.95MM | 202.09 | 42,558 | 86,00,304 | PUC |
| 2010-11 | 20110117 | CHINA P RP | 73049000 | SEAMLESS SQUARE STEEL PIPES 135X135*10MM | 200.00 | 39,506 | 79,01,244 | PUC |
| 2010-11 | 20110127 | ROMANIA | 73043911 | SEAMLESS CARBON STEEL TUBES TO SPEC SA 210 | 198.00 | 74,791 | 1,48,08,664 | PUC |
| 2010-11 | 20110103 | CHINA P RP | 73049000 | HOT FINISHED SEAMLESS STEEL TUBE GRADE 37MN | 198.00 | 51,374 | 1,01,72,078 | PUC |
| 2010-11 | 20110119 | CHINA P RP | 73045930 | SEAMLESS STEEL GAS CYLINDER TUBE SIZE 229.00MMX5.4MM | 187.00 | 56,713 | 1,06,05,287 | PUC |
| 2010-11 | 20110120 | CHINA P RP | 73045930 | SEAMLESS STEEL GAS CYLINDER TUBE 232 MM X 5.4 MM | 182.00 | 53,879 | 98,05,926 | PUC |
| 2010-11 | 20110127 | CANADA | 73049000 | SECONDARY/DEFECTIVE CARBON STEEL SEAMLESS PIPES | 177.00 | 21,681 | 38,37,502 | PUC |
| 2010-11 | 20110112 | CHINA P RP | 73049000 | PRIME CARBON STEEL SEAMLESS PIPES GRADE : ASTM A 106 GR.B / API5L GR.B/A53 GR.B | 173.00 | 32,061 | 55,46,610 | PUC |
| 2010-11 | 20110114 | CHINA P RP | 73049000 | CARBON STEEL SEAMLESS PIPES ASTM A 106 GRADE B API 5L GRADEB | 169.00 | 29,908 | 50,54,424 | PUC |
| 2010-11 | 20110113 | CHINA P RP | 73041910 | SEAMLESS STEEL PIPES ASTMA 106 GR.B/API 5L GR.B 4 XSCH80X5.8MTR | 155.02 | 30,465 | 47,22,816 | PUC |
| 2010-11 | 20110118 | CHINA P RP | 73049000 | CARBON STEEL SEAMLESS PIPES AS PER ASTM A106 GR. B/API 5L GR. B/A53 GR. B | 155.00 | 32,085 | 49,73,200 | PUC |
| 2010-11 | 20110117 | GERMANY | 73043919 | SECONDARY DEFECTIVE CARBON STEEL SEAMLESS PIPES | 153.00 | 23,535 | 36,00,850 | PUC |
| 2010-11 | 20110127 | FRANCE | 73043911 | HOT FINISHED SEAMLESS CARBON STEEL TUBES (TO SPEC SA 210)OD 51 MM X MIN.WT 8.8 | 152.00 | 65,363 | 99,35,179 | PUC |
| 2010-11 | 20110124 | ITALY | 73043911 | COLD DRAWN SEAMLESS STEEL TUBE 116,00 X 8,00 ML 116X100X962 | 150.76 | 60,871 | 91,76,938 | PUC |
| 2010-11 | 20110120 | CHINA P RP | 73043919 | CARBON STEEL SEAMLESS TUBES TO ASTM A-179 (FULLY KILLED) (OD 25MM, THK 2.5MM, | 150.68 | 41,966 | 63,23,533 | PUC |
| 2010-11 | 20110125 | CHINA P RP | 73041110 | CS SEAMLESS TUBE SA-179- 25.4 O/D X 2.77 WT X 12200MM LG | 148.00 | 59,303 | 87,76,860 | PUC |
| 2010-11 | 20110114 | CHINA P RP | 73043119 | CARBON STEEL SEAMLESS PIPE (GRADE A-106B) WT:11MM OD :273.1MM | 146.00 | 42,789 | 62,47,228 | PUC |

**Import Data from DGCIS [All Countries PUC]
Apr 2009 to Jun 2012**

| Year | Date | Country | ITC-HS | Item-Des | Quantity (MT) | Price (Rs./MT) | Value (Rs) | PUC/ NPUC |
|---------|----------|-------------|----------|---|---------------|----------------|-------------|--------------|
| 2010-11 | 20110131 | CHINA P RP | 73045910 | CARBON SEAMLESS STEEL TUBES ASME SA210M GR.A1 38.1 OD X 4.06 WT X 11000 LG (191 | 144.33 | 54,214 | 78,24,540 | PUC |
| 2010-11 | 20110107 | JAPAN | 73049000 | SECONDARY DEFECTIVE M.S. PIPES OF MIX SIZES. | 142.00 | 23,008 | 32,67,106 | PUC |
| 2010-11 | 20110127 | SWEDEN | 73045110 | SECONDARY AND DEFECTIVE SEAMLESS STEEL TUBES (ALLOY STEEL) GRADE: ST 52-3, SIZE | 135.00 | 31,939 | 43,11,832 | PUC |
| 2010-11 | 20110131 | U ARAB EMTS | 73049000 | CARBON STEEL SECONDARY SEAMLESS PIPES | 131.50 | 23,484 | 30,88,146 | PUC |
| 2010-11 | 20110107 | CHINA P RP | 73049000 | CARBON STEEL SEAMLESS PIPE ASTM A 106 GR B,SIZE OD (MM) 60.30, WALL THIK (MM) 3 | 126.00 | 40,194 | 50,64,414 | PUC |
| 2010-11 | 20110125 | CHINA P RP | 73049000 | CARBON STEEL SEAMLESS PIPES ASTM A106 GR.B 114.3 MM X 6.02MM X 5 - 7 M | 123.00 | 37,014 | 45,52,732 | PUC |
| 2010-11 | 20110114 | CHINA P RP | 73049000 | CARBON STEEL SEAMLESS PIPES ASTM A106 GR.B / API 5L GR.B OD114.3MM WT 6.02MM LE | 119.00 | 45,327 | 53,93,961 | PUC |
| 2010-11 | 20110105 | CHINA P RP | 73045110 | BEARING QUALITY STEEL TUBE SAE-52100 (62/22 OR) SIZE: 51.0X5.5MM | 115.00 | 69,604 | 80,04,509 | PUC |
| 2010-11 | 20110104 | CHINA P RP | 73049000 | SEAMLESS CARBON STEEL PIPES SIZE : 10 SCH40- 273.1 MM X 9.27MM | 112.00 | 33,539 | 37,56,362 | PUC |
| 2010-11 | 20110125 | CHINA P RP | 73049000 | SEAMLESS STEEL PIPE ASTM A 106 GR.B88.9 MM-16 MM (MFG.I | 110.00 | 38,723 | 42,59,556 | PUC |
| 2010-11 | 20110131 | CHINA P RP | 73049000 | CARBON STEEL SEAMLESS PIPES ASTM A 106/GR.BAPI 5L GR B | 107.51 | 43,062 | 46,29,443 | PUC |
| 2010-11 | 20110131 | ITALY | 73045910 | ALLOY STEEL SECONDARY DEFECTIVE SEAMLESS PIPES, GRADE P11 | 106.00 | 29,678 | 31,45,828 | PUC |
| 2010-11 | 20110122 | JAPAN | 73049000 | SECONDARY DEFECTIVE M. S. PIPES OF MIX SIZES | 106.00 | 23,076 | 24,46,005 | PUC |
| 2010-11 | 20110103 | CHINA P RP | 73049000 | CARBON STEEL SEAMLESS PIPES CONFIRMING TO API 5L GR.B/ASTM A 106 GR.B | 104.00 | 40,619 | 42,24,348 | PUC |
| 2010-11 | 20110113 | CHINA P RP | 73049000 | SECONDARY CARBON STEEL SEAMLESS PIPES IN MIXED SIZE | 104.00 | 24,090 | 25,05,320 | PUC |
| 2010-11 | 20110103 | CHINA P RP | 73049000 | CARBON STEEL SEAMLESS TUBES AS PER ASTM A 106 GR.B SIZE 33.4MM OD X 3.38MM | 103.00 | 39,547 | 40,73,327 | PUC |
| 2010-11 | 20110131 | FRANCE | 73042390 | SUPPLY OF HEAVY WEIGHT DRILL PIPES 5" OD 50 PPF HEAVY WEIGHT TL5"-65/8-3" ID- | 102.67 | 1,96,110 | 2,01,35,007 | PUC |
| 2010-11 | 20110127 | CHINA P RP | 73049000 | CARBON STEEL SEAMLESS PIPES | 102.00 | 29,213 | 29,79,774 | PUC |
| 2010-11 | 20110125 | CHINA P RP | 73042400 | CARBON STEEL SEAMLESS PIPES STEEL GRADE GR.B - NB3 88.9MM X SCH160 11.13MM (4B | 101.00 | 45,757 | 46,21,476 | PUC |
| 2010-11 | 20110120 | GERMANY | 73049000 | CARBON STEEL SECONDARY DEFECTIVE SEAMLESS PIPE | 100.00 | 24,296 | 24,29,552 | PUC |
| 2010-11 | 20110119 | QATAR | 73049000 | SECONDARY CARBON STEEL SEAMLESS PIPES | 100.00 | 20,672 | 20,67,208 | PUC |
| 2010-11 | 20110120 | CHINA P RP | 73049000 | CARBON STEEL SEAMLESS PIPES API-5L GR.B/A 106 GR.B | 100.00 | 28,450 | 28,44,983 | PUC |
| 2010-11 | 20110105 | CHINA P RP | 73049000 | CARBON STEEL SEAMLESS PIPE SECONDARY DEFECTIVE | 100.00 | 23,859 | 23,85,861 | PUC |
| 2010-11 | 20110129 | CHINA P RP | 73049000 | SEAMLESS CARBON STEEL PIPE (API 5L/ASTM A106 GR.B) (219.1MM X 8.18MM) | 99.00 | 40,019 | 39,61,894 | PUC |
| 2010-11 | 20110103 | CHINA P RP | 73049000 | CARBON STEEL SEAMLESS PIPES | 99.00 | 31,945 | 31,62,538 | PUC |
| 2010-11 | 20110103 | CHINA P RP | 73041910 | SEAMLESS STEEL TUBES & PIPES 1 1/4 SCH80*5800MM | 99.00 | 31,453 | 31,13,851 | PUC |
| 2010-11 | 20110106 | ITALY | 73043911 | COLD DRAWN SEAMLESS STEEL TUBES FOR HYDRAULIC CYLINDERS280,00 X **** X 15,00 | 97.00 | 1,50,572 | 1,46,05,502 | PUC |
| 2010-11 | 20110131 | ITALY | 73049000 | CARBON STEEL SECONDARY DEFECTIVE SEAMLESS PIPES | 97.00 | 23,956 | 23,23,766 | PUC |
| 2010-11 | 20110110 | CHINA P RP | 73041110 | SEAMLESS STEEL CYLINDER PIPE JISG3429-88 SIZE: 232MM X 5.4MM 34 CRMO4 | 97.00 | 55,047 | 53,39,528 | PUC |
| 2010-11 | 20100901 | CHINA P RP | 73043119 | DIN 1629 ST 52 SEAMLESS PIPE (OD 90.0 X WT 7.50 MM) . | 97.00 | 52,371 | 50,80,013 | PUC |
| 2010-11 | 20110127 | CHINA P RP | 73049000 | CARBON STEEL SEAMLESS PIPES API 5L/ASTM A106/A53 GR.B - 48.3 MM X 5.08 MM | 94.00 | 45,991 | 43,23,191 | PUC |
| 2010-11 | 20110125 | CHINA P RP | 73049000 | SEAMLESS CARBON STEEL PIPES (ASTM A106 GR.B/API 5L) (219.1MM X 12.7MM) | 94.00 | 40,108 | 37,70,113 | PUC |
| 2010-11 | 20110121 | CHINA P RP | 73049000 | CARBON STEEL SEAMLESS PIPES API 5L/ASTM A53/ A 106 GR.B | 94.00 | 31,991 | 30,07,119 | PUC |
| 2010-11 | 20110113 | CHINA P RP | 73041110 | CARBON STEEL SEAMLESS TUBES 19.1MM ODX3.25MMX11100MM LENGTH | 91.78 | 1,82,102 | 1,67,12,719 | PUC |
| 2010-11 | 20110128 | CHINA P RP | 98010013 | SEAMLESS CARBON STEEL PIPES TO SPEC SA 106 S37/26/2010 CIF RS.4824689 | 88.00 | 54,826 | 48,24,690 | PUC |
| 2010-11 | 20110127 | CHINA P RP | 73049000 | CARBON STEEL SEAMLESS PIPES | 87.00 | 31,496 | 27,40,190 | PUC |
| 2010-11 | 20110128 | UKRAINE | 73049000 | SECONDARY CARBON STEEL SEAMLESS PIPES -(MIXED SIZES) | 81.00 | 22,380 | 18,12,772 | PUC |
| 2010-11 | 20110104 | CHINA P RP | 73049000 | CARBON SEAMLESS STEEL TUBES ASTM A106 GRADE.B 1/2 INCHES XXS X 5-6M PLAIN ENDS | 78.00 | 40,409 | 31,51,870 | PUC |
| 2010-11 | 20110120 | CHINA P RP | 73049000 | CARBON STEEL SEAMLESS PIPES | 78.00 | 29,398 | 22,93,046 | PUC |
| 2010-11 | 20110103 | CHINA P RP | 73049000 | CARBON STEEL SEAMLESS PIPE GRADE B | 78.00 | 28,739 | 22,41,646 | PUC |
| 2010-11 | 20110124 | CHINA P RP | 73049000 | SEAMLESS CARBON STEEL PIPE API 5L/ ASTM A106/A53 GR B. STOCKLOT 219.1MM X 8.18M | 78.00 | 27,427 | 21,39,308 | PUC |

**Import Data from DGCIS [All Countries PUC]
Apr 2009 to Jun 2012**

| Year | Date | Country | ITC-HS | Item-Des | Quantity (MT) | Price (Rs./MT) | Value (Rs) | PUC/ NPUC |
|---------|----------|-------------|----------|---|---------------|----------------|-------------|--------------|
| 2010-11 | 20110121 | CHINA P RP | 73041910 | CARBON STEEL SEAMLESS PIPE FOR COUPLING AS PER API 5CT K55 | 77.57 | 45,418 | 35,23,043 | PUC |
| 2010-11 | 20110105 | CHINA P RP | 73041910 | PLAIN END SEAMLESS PIPE OF SIZE:3-1/2 OD (3635.597 METERS=389 PCS (OR) 69.175 | 76.36 | 64,917 | 49,57,232 | PUC |
| 2010-11 | 20110114 | KUWAIT | 73049000 | SECONDARY SECOND CHOICE CARBON STEEL SEAMLESS PIPE MIX SIZE & MIX LOT | 76.00 | 23,778 | 18,07,095 | PUC |
| 2010-11 | 20110121 | CHINA P RP | 73042990 | NON ALLOY STEEL SEAMLESS PIPES API 5L GRADE B 219.1MMX10.31MM | 76.00 | 45,264 | 34,40,031 | PUC |
| 2010-11 | 20110113 | CHINA P RP | 73041910 | PLAIN END SEAMLESS PIPES 2-7/8 OD (76.712MTS=8238.12 MTRS (OR) 868 PCS) | 75.60 | 43,538 | 32,91,371 | PUC |
| 2010-11 | 20110118 | CHINA P RP | 73049000 | CARBON STEEL SEAMLESS PIPES API5L/A106GR.B (114.3MM/168.3MMX 6.02MM/8.56MM/7.11 | 74.00 | 29,448 | 21,79,138 | PUC |
| 2010-11 | 20110117 | BELGIUM | 73049000 | SECONDARY CARBON SEAMLESS PIPE | 73.00 | 22,890 | 16,70,953 | PUC |
| 2010-11 | 20110122 | CHINA P RP | 73045910 | CARBON & ALLOY STEEL SEAMLESS S TUBES GR.SA210-A1 38.1 OD*4.06 MW WT*11000 MM L | 72.37 | 52,616 | 38,07,692 | PUC |
| 2010-11 | 20110128 | CHINA P RP | 73069090 | SEAMLESS STEEL TUBES - [BEARING QUALITY] - 62040R | 72.36 | 66,618 | 48,20,204 | PUC |
| 2010-11 | 20110128 | ITALY | 73043911 | COLD DRAWN SEAMLESS STEEL TUBES 92.50X7.75 | 69.58 | 73,534 | 51,16,385 | PUC |
| 2010-11 | 20110105 | U S A | 73043911 | SECONDARY/DEFECTIVE M S SEAMLESS PIPE | 66.00 | 24,159 | 15,94,524 | PUC |
| 2010-11 | 20110127 | CHINA P RP | 73049000 | CARBON STEEL SEAMLESS PIPES | 66.00 | 31,505 | 20,79,343 | PUC |
| 2010-11 | 20110131 | ITALY | 73069090 | SEAMLESS STEEL TUBES FOR HYDRAULIC CYLINDERS (200.00X****X15.00MM) | 62.43 | 30,611 | 19,11,171 | PUC |
| 2010-11 | 20110121 | BELGIUM | 73042390 | DRILL PIPE, N-155,3-1/2 OD, GRADE G-105, CON NC38, TJ OD 4-3/4, TJ ID 2-9/16 (Q | 62.10 | 2,49,629 | 1,55,01,969 | PUC |
| 2010-11 | 20110117 | CHINA P RP | 73049000 | COLD DRAWN CARBON SEAMLESS STEEL TUBE SA210A1 38 MM X 4.5 MM X 11.5 M | 62.00 | 47,938 | 29,72,163 | PUC |
| 2010-11 | 20110113 | CHINA P RP | 73043119 | COLD DRAWN SEAMLESS STEEL TUBES AS PER DIN STD 2391 50 MM OD X 38 MM ID | 62.00 | 45,629 | 28,28,989 | PUC |
| 2010-11 | 20110119 | U S A | 73049000 | OIL WELL EQUIPMENT : 8 OD X 3 1/2 ID X 31 L NMDC W/ 6 5/8 REG PIN & BOX | 61.77 | 1,31,245 | 81,07,588 | PUC |
| 2010-11 | 20110110 | CHINA P RP | 73043119 | SEAMLESS STEEL PIPE API5L GR B/ASTM A 106 GR B SIZE:88.9MM X 80 NB X 4.90 X 40 | 60.00 | 44,722 | 26,83,336 | PUC |
| 2010-11 | 20110121 | CHINA P RP | 73049000 | CARBON STEEL SEAMLESS PIPES | 60.00 | 38,891 | 23,33,468 | PUC |
| 2010-11 | 20110112 | CHINA P RP | 73043139 | HYDRAULIC CYLINDER TUBE (SIZE: 160 X 140 MM) | 57.84 | 33,496 | 19,37,366 | PUC |
| 2010-11 | 20110127 | CHINA P RP | 73041910 | HOLLOW BAR/BAR STOCK OF RELEVANT DIA [7 ODX3-1/4 ID] | 55.06 | 69,618 | 38,33,138 | PUC |
| 2010-11 | 20110124 | JAPAN | 73049000 | BEARING QUALITY STEEL TUBES SAE52100 OD57.90MM X WT6.55MM | 54.06 | 91,384 | 49,39,775 | PUC |
| 2010-11 | 20110124 | BELGIUM | 73043121 | NON PRIME PRECISION SEAMLESS TUBES | 54.00 | 33,468 | 18,07,250 | PUC |
| 2010-11 | 20110118 | SINGAPORE | 73043911 | SEC/DEF STEEL PIPES | 54.00 | 23,045 | 12,44,424 | PUC |
| 2010-11 | 20110118 | FRANCE | 73043911 | CS NACE SEAMLESS PIPE (ASTM A106 B) SIZE: 12 | 53.17 | 81,499 | 43,33,368 | PUC |
| 2010-11 | 20110101 | SWEDEN | 73045110 | SECONDARY AND DEFECTIVE SEAMLESS STEEL TUBES (ALLOY STEEL) GRADE: ST 52-3, SIZE | 53.00 | 32,787 | 17,37,688 | PUC |
| 2010-11 | 20110131 | U ARAB EMTS | 73049000 | SECONDARY SECOND CHOICE CARBON STEEL SEAMLESS PIPE MIXED LOT | 53.00 | 23,668 | 12,54,430 | PUC |
| 2010-11 | 20110110 | U K | 73049000 | SECONDARY SURPLUS CARBON STEEL PIPES | 53.00 | 23,611 | 12,51,405 | PUC |
| 2010-11 | 20110128 | U ARAB EMTS | 73049000 | MS DEFECTIVE PIPE | 53.00 | 23,540 | 12,47,610 | PUC |
| 2010-11 | 20110119 | AUSTRALIA | 73042990 | M.S. REJECTED PIPES | 53.00 | 22,153 | 11,74,115 | PUC |
| 2010-11 | 20110107 | CHINA P RP | 73045110 | COLD DRAWN CARBON STEEL SEAMLESS TUBES- SIZE: OD 27 X THK 3X LENGTH 10000-11800 | 52.45 | 47,880 | 25,11,306 | PUC |
| 2010-11 | 20110121 | U ARAB EMTS | 73049000 | M S PIPE | 52.00 | 30,048 | 15,62,516 | PUC |
| 2010-11 | 20110120 | CHINA P RP | 73041990 | SEAMLESS STEEL PIPES 5475 PIECES=201 BUNDLES | 52.00 | 41,502 | 21,58,088 | PUC |
| 2010-11 | 20110127 | CHINA P RP | 73049000 | CARBON STEEL SEAMLESS PIPES ASTM A 106-B | 52.00 | 30,107 | 15,65,565 | PUC |
| 2010-11 | 20110118 | CHINA P RP | 73045110 | COLD DRAWN CARBON STEEL SEAMLESS MOTHER TUBES (MOTHER HOLLOW) ASTM A106B - OD: | 51.72 | 46,649 | 24,12,521 | PUC |
| 2010-11 | 20110119 | SINGAPORE | 73043911 | GRE PIPES, FITTINGS & FLANGES (12 PIPE BY MT TMXTF 2416 CONDUCTIVE) | 51.00 | 86,274 | 43,99,978 | PUC |
| 2010-11 | 20110112 | CHINA P RP | 73049000 | CARBON STEEL SEAMLESS PIPES AS PER ASTM A106 GR B/API 5L GRB | 51.00 | 32,585 | 16,61,860 | PUC |
| 2010-11 | 20110121 | CHINA P RP | 73045110 | STEEL SEAMLESS TUBES GRADE SA210-A1 OD 50.8 X 6.35 (MW) X 11500 MM (2817.50 X | 50.32 | 72,042 | 36,25,419 | PUC |
| 2010-11 | 20110120 | CHINA P RP | 73041110 | CS SEAMLESS TUBE SA-179-25.4 O/D X 2.11 WTX 2800 MM LG | 50.00 | 63,027 | 31,51,372 | PUC |
| 2010-11 | 20110110 | CHINA P RP | 73045920 | SEAMLESS PIPE ST.52 DIMENSION 133MMX4MM LENGTH 6 METER ASPER EN10020 STANDARD | 50.00 | 50,983 | 25,49,147 | PUC |
| 2010-11 | 20110124 | CHINA P RP | 73043119 | SEAMLESS CARBON STEEL TUBES ST 37.4 SIZE : 30X3.0X10000-12000MM | 50.00 | 44,209 | 22,10,457 | PUC |

**Import Data from DGCIS [All Countries PUC]
Apr 2009 to Jun 2012**

| Year | Date | Country | ITC-HS | Item-Des | Quantity (MT) | Price (Rs./MT) | Value (Rs) | PUC/ NPUC |
|---------|----------|-------------|----------|---|---------------|----------------|------------|--------------|
| 2010-11 | 20110119 | CHINA P RP | 73049000 | CARBON STEEL SEAMLESS PIPES ASTM A 106 GR.B 146MM X 10MM | 50.00 | 40,687 | 20,34,325 | PUC |
| 2010-11 | 20110131 | CHINA P RP | 73049000 | CARBON STEEL SEAMLESS PIPE AP15L/A106GR.B (33.4MM X 3.38MM/4.55MM X 5-5.8MM) | 50.00 | 32,383 | 16,19,152 | PUC |
| 2010-11 | 20110112 | CHINA P RP | 73049000 | CARBON STEEL SEAMLESS PIPES API 5L/ASTM A 106B/A53B | 50.00 | 29,425 | 14,71,252 | PUC |
| 2010-11 | 20110104 | CHINA P RP | 73049000 | CARBON STEEL SEAMLESS PIPE | 50.00 | 29,394 | 14,69,710 | PUC |
| 2010-11 | 20110120 | CHINA P RP | 73049000 | CARBON STEEL SEAMLESS PIPES API-5L GR.B/A 106 GR.B (STOCK LOT) | 50.00 | 25,199 | 12,59,944 | PUC |
| 2010-11 | 20110105 | CHINA P RP | 73049000 | CARBON STEEL SEAMLESS PIPE SECONDARY/DEFECTIVE | 50.00 | 23,787 | 11,89,340 | PUC |
| 2010-11 | 20110131 | U ARAB EMTS | 73049000 | SECONDARY SECON D CHOICE CARBON STEEL SEAMLESS PIPE MIXED LOT | 49.00 | 23,954 | 11,73,765 | PUC |
| 2010-11 | 20110120 | CHINA P RP | 73043919 | CARBON STEEL SEAMLESS TUBES ASTM A 333 GR 6 (SIZE 33.4 MM OD X 4 MM WT X 10-11 | 48.71 | 47,903 | 23,33,250 | PUC |
| 2010-11 | 20110128 | U S A | 73069090 | A519 COLD DRAWN SEAMLESS TUBING (SIZE:214 OD X 161.54ID) | 48.36 | 1,53,271 | 74,12,032 | PUC |
| 2010-11 | 20110105 | ITALY | 73041190 | SEAMLESS COLD DRAWN TUBES FOR HYDRAULIC CYLINDER ACCORDING (116,00 X **** X 10, | 48.31 | 96,828 | 46,77,355 | PUC |
| 2010-11 | 20110113 | CHINA P RP | 73049000 | CARBON STEEL SEAMLESS PIPES ASTM A106 GR.B / API 5L GR.B OD168.3MM WT 4.5MM LEN | 48.00 | 41,859 | 20,09,237 | PUC |
| 2010-11 | 20110110 | JAPAN | 73049000 | ALLOY STEEL SEAMLESS STEEL TUBES O.D.47.55MM X W/TH 6.35MM | 47.68 | 1,73,892 | 82,91,738 | PUC |
| 2010-11 | 20110128 | CHINA P RP | 73049000 | CARBON STEEL SEAMLESS PIPES HOT ROLLED ASTM A106 GR.B / API5L GR.B 88.9MM X 5.4 | 47.00 | 41,805 | 19,64,816 | PUC |
| 2010-11 | 20110127 | GERMANY | 73049000 | CARBON STEEL SECONDARY SEAMLESS PIPES | 46.00 | 20,747 | 9,54,340 | PUC |
| 2010-11 | 20110124 | HONG KONG | 73042990 | 43130KG SEAMLESS CARBON STEEL PIPE ASTM A106 GR.B H BF DRILL BAR 38MM OD X 12MM | 45.00 | 51,684 | 23,25,768 | PUC |
| 2010-11 | 20110101 | CHINA P RP | 73041910 | COLD DRAWN SEAMLESS STEE | 45.00 | 48,311 | 21,73,992 | PUC |
| 2010-11 | 20110117 | GERMANY | 73049000 | STEEL TUBES 219.10 X 36.00 MM ASME SA-106 GR C | 44.47 | 54,585 | 24,27,395 | PUC |
| 2010-11 | 20110128 | ROMANIA | 73043931 | SEAMLESS CARBON STEEL PIPES (TO SPEC SA106)OD273.00X40.00X5000 | 43.00 | 1,46,371 | 62,93,958 | PUC |
| 2010-11 | 20110112 | CHINA P RP | 73045110 | COLD DRAWN SEAMLESS CARBON STEEL TUBES ASTM A 519 GRADE SAE1541SR (SIZE: 55.60 | 43.00 | 54,925 | 23,61,795 | PUC |
| 2010-11 | 20110128 | CHINA P RP | 73045110 | BEARING QUALITY STEEL TUBE SAE-52100 (6013 OR) SIZE 100.30X88.82MM | 42.43 | 67,494 | 28,63,579 | PUC |
| 2010-11 | 20110131 | CHINA P RP | 73045110 | BEARING QUALITY STEEL TUBE SAE-52100 & SUJ-3 (6310 OR) SIZE111X9.5 MM | 42.00 | 65,004 | 27,30,164 | PUC |
| 2010-11 | 20110114 | CHINA P RP | 73041190 | CARBON STEEL TUBES [25.4MMODX2.41MM [MIN]W TX10500LG] | 41.92 | 61,384 | 25,73,378 | PUC |
| 2010-11 | 20110117 | CHINA P RP | 73045110 | BEARING QUALITY STEEL TUBE SAE52100- SPEC 30.5 * 3.0 | 41.05 | 64,524 | 26,48,969 | PUC |
| 2010-11 | 20110125 | U S A | 73049000 | CARBON STEEL PIPES (SECONDARY DEFECTIVE) NON ALLOY. | 41.00 | 23,351 | 9,57,374 | PUC |
| 2010-11 | 20110113 | CHINA P RP | 73045110 | BEARING QUALITY STEEL TUBE SAE-52100 & SUJ-3 (TMB6205MOR)SIZE.52.7 X 4.45 MM | 41.00 | 80,654 | 33,06,818 | PUC |
| 2010-11 | 20110107 | CHINA P RP | 73043939 | CARBON STEEL SEAMLESS PIPE: API 5L/ASTM A106 GR.C (SIZE: 114.3MM X 13.49MM) | 41.00 | 54,688 | 22,42,189 | PUC |
| 2010-11 | 20110106 | CHINA P RP | 73043119 | SEAMLESS CARBON STEEL PIPES (GRADE A-106B) SIZE :38MMX9MM | 41.00 | 32,811 | 13,45,241 | PUC |
| 2010-11 | 20110127 | JAPAN | 73043129 | CARBON STEEL SEAMLESS LINEPIPE OD 168.3MM X WT7.9MM X 11.8M*12.4M | 40.48 | 76,495 | 30,96,726 | PUC |
| 2010-11 | 20110121 | CHINA P RP | 73041110 | NON ALLOY HOT FINISHED SEAMLESS CARBON STEEL PIPES ASTM/ASMEA/S A106 GR.127.0X8 | 40.00 | 44,622 | 17,84,875 | PUC |
| 2010-11 | 20110120 | CHINA P RP | 73049000 | SECONDARY CARBON STEEL SEAMLESS PIPE | 40.00 | 22,800 | 9,12,000 | PUC |
| 2010-11 | 20110117 | CHINA P RP | 73043119 | SKIVED AND BURNISHED TUBES(140MM. X 160MM. X 8500 X 7PCS.) | 39.97 | 39,785 | 15,90,032 | PUC |
| 2010-11 | 20110118 | SINGAPORE | 73043911 | SEC/DEF STEEL PIPES | 39.00 | 22,987 | 8,96,496 | PUC |
| 2010-11 | 20110124 | JAPAN | 73049000 | SECOND CHOICE CARBON STEEL SEAMLESS PIPES | 38.00 | 36,610 | 13,91,194 | PUC |
| 2010-11 | 20110127 | U K | 73049000 | 6" SCH 40 SMLS PIPE GR 3 73045992 | 37.00 | 24,648 | 9,11,964 | PUC |
| 2010-11 | 20110120 | ITALY | 73043911 | COLD DRAWN SEAMLESS STEEL TUBE 120,00 X 10,00 X 1,00 E355 | 35.93 | 91,363 | 32,82,612 | PUC |
| 2010-11 | 20110125 | U S A | 73049000 | CARBON STEEL PIPES (SECONDARY DEFECTIVE) NON ALLOY. | 35.00 | 23,801 | 8,33,046 | PUC |
| 2010-11 | 20110121 | CHINA P RP | 73045110 | STEEL SEAMLESS TUBES GRADE SA210-A1 OD 50.8 X 6.35 (MW) X 11500 MM (1897.50 X | 33.30 | 76,834 | 25,58,416 | PUC |
| 2010-11 | 20110128 | CHINA P RP | 73045910 | CARBON STEEL SEAMLESS TUBES GR.SA210-A1 50.8 OD X 6.35 X 7400 MM (436.6 MTR | 33.17 | 52,457 | 17,39,995 | PUC |
| 2010-11 | 20110103 | JAPAN | 73049000 | HOT FINISH SEAMLESS STEEL PIPES - 101 60 MM OD X 7.30MM WALL THICKNESS X 9 METE | 32.74 | 1,18,560 | 38,81,891 | PUC |
| 2010-11 | 20110114 | CHINA P RP | 73045110 | STEEL TUBE DIA 4.76 0.55MM WITH ZINC COATED | 31.42 | 68,252 | 21,44,340 | PUC |
| 2010-11 | 20110118 | CHINA P RP | 73043939 | HYDRAULIC CYLINDER TUBE 156*130MM(FOR CAPTIVE CONSUMP | 31.23 | 48,619 | 15,18,442 | PUC |

**Import Data from DGCIS [All Countries PUC]
Apr 2009 to Jun 2012**

| Year | Date | Country | ITC-HS | Item-Des | Quantity (MT) | Price (Rs./MT) | Value (Rs) | PUC/ NPUC |
|---------|----------|-------------|----------|---|---------------|----------------|------------|--------------|
| 2010-11 | 20110118 | FRANCE | 73043911 | CS NACE SEAMLESS PIPES (ASTM A106B) SIZE: 8 | 29.89 | 79,030 | 23,62,445 | PUC |
| 2010-11 | 20110112 | CHINA P RP | 73041910 | SEAMLESS STEEL PIPE | 28.00 | 84,055 | 23,53,537 | PUC |
| 2010-11 | 20110127 | KUWAIT | 73049000 | SECONDARY SECOND CHOICE CARBON STEEL SEAMLESS PIPE MIX SIZE@ MIX LOT | 27.00 | 23,622 | 6,37,798 | PUC |
| 2010-11 | 20110105 | U S A | 73049000 | CARBON STEEL PIPES (SECONDARY DEFECTIVE) NON ALLOY. | 27.00 | 23,119 | 6,24,201 | PUC |
| 2010-11 | 20110120 | U ARAB EMTS | 73049000 | SECONDARY SECOND CHOICE CARBON STEEL SEAMLESS/WELDED PIPES | 27.00 | 21,466 | 5,79,595 | PUC |
| 2010-11 | 20110122 | CHINA P RP | 73049000 | SEAMLESS STEEL PIPE 89MMX 9.5MM X580MM (SEAMLESS STEEL PIPE) | 27.00 | 42,037 | 11,35,011 | PUC |
| 2010-11 | 20110107 | CHINA P RP | 73045110 | COLD DRAWN CARBON STEEL SEAMLESS MOTHER TUBES-DIN17175 ST35.8 FULLY KILLED-OD: | 26.49 | 43,320 | 11,47,503 | PUC |
| 2010-11 | 20110105 | ITALY | 73049000 | SECONDARY SEAMLESS CARBON STEEL PIPES | 26.00 | 37,081 | 9,64,111 | PUC |
| 2010-11 | 20110117 | GERMANY | 73049000 | SECONDARY NON ALLOY STEEL BRIGHT BARS (ROUND & HEX) | 26.00 | 34,506 | 8,97,157 | PUC |
| 2010-11 | 20110131 | SWEDEN | 73045110 | SECONDARY AND DEFECTIVE SEAMLESS STEEL TUBES (ALLOY STEEL) GRADE: ST 52-3, SIZE | 26.00 | 32,589 | 8,47,309 | PUC |
| 2010-11 | 20110103 | U ARAB EMTS | 73049000 | CARBON STEEL SECONDARY SEAMLESS PIPES | 26.00 | 23,230 | 6,03,972 | PUC |
| 2010-11 | 20110131 | U ARAB EMTS | 73049000 | SECONDARY CARBON STEEL PIPE SEAMLESS | 26.00 | 19,681 | 5,11,704 | PUC |
| 2010-11 | 20110110 | CHINA P RP | 73043119 | SEAMLESS STEEL TUBE BK,5-5.8 METER28.00 X 14.30 -20 | 26.00 | 52,889 | 13,75,116 | PUC |
| 2010-11 | 20110131 | CHINA P RP | 73042990 | SEAMLESS CASING PIPES, SIZE OD 6.145 X 0.827 WT P110 | 25.83 | 49,599 | 12,81,135 | PUC |
| 2010-11 | 20110121 | CHINA P RP | 73043919 | CARBON STEEL SEAMLESS TUBES GRADE ST 52 BKS (OD105MM, ID 90MM,LENGTH 4500-6000 | 25.09 | 57,367 | 14,39,223 | PUC |
| 2010-11 | 20110103 | GERMANY | 73049000 | M.S SEAMLESS PIPES SECOND CHOICE MIX | 25.00 | 21,466 | 5,36,658 | PUC |
| 2010-11 | 20110110 | CHINA P RP | 73041110 | SEAMLESS STEEL PIPE,NORMAUZED Q345B NORMALIZED/DIN239/NBK ST 52 DIMENSIONS 50X6 | 25.00 | 54,746 | 13,68,645 | PUC |
| 2010-11 | 20110131 | CHINA P RP | 73043119 | SEAMLESS PIPES ASTM A 106 GR.B/API 5L GR.B SIZE:16 SCH 40 | 25.00 | 47,639 | 11,90,978 | PUC |
| 2010-11 | 20110127 | CHINA P RP | 73041110 | SEAMLESS PIPE OD: 33.4 MM, WT: 4.55 MM, LENGTH (M) : 5-9 | 25.00 | 47,619 | 11,90,482 | PUC |
| 2010-11 | 20110115 | CHINA P RP | 73043939 | COLD DRAWN SEAMLESS TUBE OD:60MM (-0.00/+0.2MM) ID:36MM (+2MM) | 25.00 | 42,636 | 10,65,900 | PUC |
| 2010-11 | 20110119 | CHINA P RP | 73049000 | CARBON STEEL SEAMLESS PIPES ASTM A 106 GR.B | 25.00 | 40,575 | 10,14,383 | PUC |
| 2010-11 | 20110121 | CHINA P RP | 73049000 | CARBON STEEL SEAMLESS PIPES API 5L/ASTM A106 GR.B | 25.00 | 39,962 | 9,99,058 | PUC |
| 2010-11 | 20110103 | CHINA P RP | 73049000 | CARBON STEEL SEAMLESS PIPES | 25.00 | 31,813 | 7,95,332 | PUC |
| 2010-11 | 20110103 | CHINA P RP | 73049000 | CARBON STEEL SEAMLESS PIPES API 5LB/ASTM A 106B/A53B | 25.00 | 28,692 | 7,17,289 | PUC |
| 2010-11 | 20110124 | CHINA P RP | 73049000 | SECONDARY CARBON STEEL SEAMLESS PIPES IN MIXED SIZES | 25.00 | 24,366 | 6,09,145 | PUC |
| 2010-11 | 20110117 | ITALY | 73041190 | SEAMLESS COLD DRAWN TUBES FOR HYDRAULIC CYLINDERS ACCORDING (205.00 X *****X20. | 24.28 | 1,02,051 | 24,77,387 | PUC |
| 2010-11 | 20110110 | U S A | 73069090 | USED PIPES | 24.00 | 25,787 | 6,18,881 | PUC |
| 2010-11 | 20110131 | U ARAB EMTS | 73049000 | SECONDARY SECOND CHOICE CARBON STEEL SEAMLESS PIPE MIXED LOT | 24.00 | 24,341 | 5,84,178 | PUC |
| 2010-11 | 20110113 | U ARAB EMTS | 73049000 | SECONDARY SOND CHOICE CARBON STEEL SEAMLESS/WELDED PIPES | 24.00 | 21,297 | 5,11,117 | PUC |
| 2010-11 | 20110114 | CHINA P RP | 73049000 | CARBON STEEL SEAMLESS TUBES | 24.00 | 55,809 | 13,39,418 | PUC |
| 2010-11 | 20110112 | CHINA P RP | 73043139 | DIN2391 ST 52 NBK COLD DRAWN SEAMLESS STEEL TUBES (SIZE-50.00X6.00 MM) (LENGTH- | 24.00 | 53,369 | 12,80,846 | PUC |
| 2010-11 | 20110108 | CHINA P RP | 73049000 | CARBON STEEL SEAMLESS PIPES 219 X 10.31MM X10.0M | 24.00 | 45,848 | 11,00,351 | PUC |
| 2010-11 | 20110121 | CHINA P RP | 73041190 | SEAMLESS STEEL PIPES 60.2X4.775 MM | 24.00 | 45,332 | 10,87,970 | PUC |
| 2010-11 | 20110120 | CHINA P RP | 73049000 | CARBON STEEL SEAMLESS PIPES ASTM A53/A106 GR.B | 23.60 | 29,093 | 6,86,444 | PUC |
| 2010-11 | 20110110 | CHINA P RP | 73043121 | SKIVED AND BURNISHED TUBE 160MM DIAMETER | 23.23 | 40,224 | 9,34,554 | PUC |
| 2010-11 | 20110121 | JAPAN | 73049000 | SECONDARY ALLOY STEEL SEAMLESS PIPES IN MIXED SIZES/MIXED THICKNESS AND MIXED L | 23.00 | 43,149 | 9,92,422 | PUC |
| 2010-11 | 20110125 | ITALY | 73049000 | SECONDARY SEAMLESS CARBON STEEL PIPES | 23.00 | 36,773 | 8,45,788 | PUC |
| 2010-11 | 20110105 | U S A | 73049000 | CARBON STEEL PIPES (SECONDARY DEFECTIVE) NON ALLOY. | 23.00 | 23,301 | 5,35,934 | PUC |
| 2010-11 | 20110105 | U ARAB EMTS | 73049000 | SECONDARY SECOND CHOICE CARBON STEEL SEAMLESS/WELDED PIPES | 23.00 | 21,068 | 4,84,555 | PUC |
| 2010-11 | 20110122 | CHINA P RP | 73045910 | CARBON STEEL SEAMLESS TUBES GR.SA210-A1 38.1 OD X 4.06 X 11000 MM (3465 MTR | 22.70 | 57,856 | 13,13,515 | PUC |
| 2010-11 | 20110103 | GERMANY | 73043911 | CS NACE PIPES - CS NACE SEAMLESS PIPES (ASTMA106 GR.B, ASME B36.10M) SIZE: 0.75 | 22.00 | 1,00,131 | 22,02,875 | PUC |

**Import Data from DGCIS [All Countries PUC]
Apr 2009 to Jun 2012**

| Year | Date | Country | ITC-HS | Item-Des | Quantity (MT) | Price (Rs./MT) | Value (Rs) | PUC/ NPUC |
|---------|----------|-------------|----------|---|---------------|----------------|------------|--------------|
| 2010-11 | 20110103 | U ARAB EMTS | 73049000 | CARBON STEEL SECONDARY SEAMLESS PIPES | 22.00 | 23,826 | 5,24,172 | PUC |
| 2010-11 | 20110105 | ITALY | 73049000 | M.S.LOW CARBON SEAMLESS PIPE MIXED SECOND DEFECTIVE | 22.00 | 20,853 | 4,58,766 | PUC |
| 2010-11 | 20110120 | CHINA P RP | 73043119 | SKIVED AND BURNISHED TUBES(ID-80MM X OD-92MM.) | 21.77 | 63,027 | 13,71,966 | PUC |
| 2010-11 | 20110131 | CHINA P RP | 73043119 | SEAMLESS PIPES GRADE SAE52100/GCR15 SIZE 37.50 X X23.50 X 7.00 | 21.72 | 66,842 | 14,51,684 | PUC |
| 2010-11 | 20110120 | CHINA P RP | 73043119 | SKIVED AND BURNISHED TUBES(ID-80MM X OD-100MM.) | 21.69 | 61,830 | 13,41,233 | PUC |
| 2010-11 | 20110110 | U ARAB EMTS | 73049000 | CARBON STEEL SECONDARY SEAMLESS PIPES | 21.00 | 23,875 | 5,01,372 | PUC |
| 2010-11 | 20110113 | CHINA P RP | 73049000 | COLD DRAWN SEAMLESS TUBE | 21.00 | 55,618 | 11,67,978 | PUC |
| 2010-11 | 20110118 | CHINA P RP | 73043939 | SEAMLESS TUBE ASTM A106 GRB 88.9X6.6 MM(MS) 27 PCS) | 21.00 | 49,388 | 10,37,148 | PUC |
| 2010-11 | 20110122 | CHINA P RP | 73041910 | SEAMLESS STEEL PIPES SIZE: 8 219 MM OD SCH40 8.18 MM THKLENGTH 5800 MM | 21.00 | 22,607 | 4,74,750 | PUC |
| 2010-11 | 20110118 | JAPAN | 73049000 | SEAMLESS ALLOY STEEL TUBES JIS G3441 SCM415TK 32.80MM OD X 24.60MM ID X 5M | 20.33 | 1,39,299 | 28,31,819 | PUC |
| 2010-11 | 20110131 | CHINA P RP | 73049000 | STEEL TUBES 19.7MM X 14.5MM X2.60 MM | 20.00 | 95,432 | 19,08,634 | PUC |
| 2010-11 | 20110127 | CHINA P RP | 73049000 | COLD DRAWN SEAMLESS TUBE | 20.00 | 56,306 | 11,26,110 | PUC |
| 2010-11 | 20110119 | CHINA P RP | 73043119 | SEAMLESS GOLD DRAWN TUBES GRADE SAE52100/GCR15 SIZE (38.97X4.97MM) (C 1, SI 0.2 | 19.83 | 63,840 | 12,66,075 | PUC |
| 2010-11 | 20110118 | CHINA P RP | 73069090 | CUT BLANK RINGS - 6203 OR CUT BLANKS - OD40.55MM X ID32.15MM (TUBES MADE FROM S | 19.54 | 1,03,785 | 20,28,279 | PUC |
| 2010-11 | 20110120 | CHINA P RP | 73043119 | SKIVED AND BURNISHED TUBES(ID-100MM X OD-112MM.) | 19.20 | 68,248 | 13,10,681 | PUC |
| 2010-11 | 20110125 | CHINA P RP | 73041110 | CARBON STEEL SEAMLESS MOTHER PIPES (HOT FINISH) ASTM A 179 SIZE:50.8MM OD X 3.2 | 19.00 | 46,728 | 8,87,824 | PUC |
| 2010-11 | 20110112 | CHINA P RP | 73049000 | PRIME CARBON STEEL SEAMLESS PIPES (ASTM A 106 GR.. / API 5L GR.B) (114.3 X3. 96 | 18.28 | 44,093 | 8,06,104 | PUC |
| 2010-11 | 20110122 | CHINA P RP | 73049000 | STEEL TUBES OF 100CR6 FOR MFG. OF BEARINGS SIZE: OD 63.11 X 5.63MM (C-0.95, SI- | 18.00 | 91,561 | 16,48,104 | PUC |
| 2010-11 | 20110127 | CHINA P RP | 73069090 | BEARING STEEL TUBES - OR6203 OD10.7 X ID32 MM | 18.00 | 73,017 | 13,14,298 | PUC |
| 2010-11 | 20110120 | CHINA P RP | 73043119 | CARBON STEEL SEAMLESS PIPE (API 5L/ASTM A106 GR.B) WT: 8MM OD:219.1MM | 18.00 | 42,666 | 7,67,994 | PUC |
| 2010-11 | 20101113 | CHINA P RP | 73043139 | STEEL HONED TBES (OD 273 X ID 239.5 MM) | 17.79 | 88,998 | 15,83,205 | PUC |
| 2010-11 | 20110122 | CHINA P RP | 73043911 | SEAMLESS CARBON STEEL TUBES TO SPEC SA 210 | 17.00 | 70,893 | 12,05,177 | PUC |
| 2010-11 | 20110103 | JAPAN | 73041110 | C.R.ALLOY STEEL TUBE FOR BEARINGS SIZE:OD35.75MMXWT6.00MM | 16.00 | 1,16,944 | 18,71,102 | PUC |
| 2010-11 | 20110118 | JAPAN | 73049000 | ALLOY STEEL SEAMLESS STEEL TUBES O.D.51.55MMXW/TH.6.35MM | 15.38 | 2,00,510 | 30,83,732 | PUC |
| 2010-11 | 20110601 | NEPAL | 73049000 | BLACK PIPE | 15.00 | 32,573 | 4,88,598 | PUC |
| 2010-11 | 20110106 | U S A | 73049000 | SECONDARY SECOND CARBON STEEL SEAMLESS/ WELDED PIPES, MIXEDTHICKNESS MIXED LOT. | 14.00 | 24,984 | 3,49,770 | PUC |
| 2010-11 | 20110110 | U ARAB EMTS | 73042200 | OIL WELL SUPPLIES 5 HEAVY WEIGHT DRILL PIPE 5 RANGE II | 13.10 | 2,36,702 | 31,00,800 | PUC |
| 2010-11 | 20110113 | CHINA P RP | 73049000 | CARBON STEEL SEAMLESS PIPES AS PER ASTM A106 114.3MM X 6.02MM THK | 12.86 | 40,536 | 5,21,299 | PUC |
| 2010-11 | 20110106 | ITALY | 73043119 | CYLINDER TUBES SUITABLE FOR HONING AND SSID CYLINDER TUBES (73 X 5 X 8500 E355) | 12.31 | 1,63,622 | 20,14,722 | PUC |
| 2010-11 | 20110117 | CHINA P RP | 73049000 | EXTRUDED FINNED TUBES TUBE MATERIAL A 179 (SEAMLESS) SIZE 25.40DX2.11 THI 1524(| 11.46 | 79,103 | 9,06,677 | PUC |
| 2010-11 | 20110113 | CHINA P RP | 73042390 | OILWELL EQUIPMET - WASH PIPE 1732.5 FT, 55 JOINTS, TUBBING SEAMLESS, 2-3/8 4.6 | 11.45 | 50,636 | 5,79,875 | PUC |
| 2010-11 | 20110117 | CHINA P RP | 73049000 | ALLOY STEEL SEAMLESS TUBE 20CR 22.5*15.1 | 10.58 | 68,704 | 7,26,753 | PUC |
| 2010-11 | 20110124 | JAPAN | 73043911 | CS NACE SEAMLESS PIPES - 250MM (10) SCH 100 CS SMLS PIPE ASTM A106 GR.B) | 10.00 | 1,63,190 | 16,31,901 | PUC |
| 2010-11 | 20101125 | U S A | 73049000 | RE-ROLLABLE ROLLER SCRAP | 10.00 | 20,432 | 2,04,323 | PUC |
| 2010-11 | 20110112 | CHINA P RP | 73043119 | COLD DRAWN SEAMLESS STEEL TUBES AS PER DIN STD 2391 50 MM OD X 38 MM ID | 10.00 | 50,282 | 5,02,820 | PUC |
| 2010-11 | 20110103 | JAPAN | 73049000 | HOT FINISH SEAMLESS STEEL TUBES - OD 101.60MM X 7.30MM X 7000MM | 9.28 | 1,18,560 | 11,00,474 | PUC |
| 2010-11 | 20110118 | JAPAN | 73042990 | SMLS NACE PIPE (QTY 6 MTR - UNIT PRICE 137.10 USD/MTR) | 8.65 | 1,34,250 | 11,61,802 | PUC |
| 2010-11 | 20101113 | CHINA P RP | 73043129 | STEEL HONED TUBES (OD 136XID 120 MM) | 7.86 | 99,543 | 7,82,063 | PUC |
| 2010-11 | 20110131 | CHINA P RP | 73045110 | BEARING QUALITY STEEL TUBE - SAE52100 : (SIZE - 55.6*7.1) | 7.49 | 63,840 | 4,78,353 | PUC |
| 2010-11 | 20110127 | FRANCE | 73043911 | CS NACE SEAMLESS PIPES - 40MM (1 1/2) SCH XXS CS SMLS PIPE ASTM A106 GR.B MULT | 6.74 | 96,472 | 6,50,125 | PUC |
| 2010-11 | 20110128 | CHINA P RP | 73045110 | READY TO HONE PRECISION TUBE (45X55MM) | 6.56 | 1,18,788 | 7,78,782 | PUC |

**Import Data from DGCIS [All Countries PUC]
Apr 2009 to Jun 2012**

| Year | Date | Country | ITC-HS | Item-Des | Quantity (MT) | Price (Rs./MT) | Value (Rs) | PUC/ NPUC |
|---------|----------|-------------|----------|---|---------------|----------------|------------|--------------|
| 2010-11 | 20110121 | FRANCE | 73041910 | HOLLOW SEAMLESS BARS | 6.53 | 1,18,972 | 7,77,363 | PUC |
| 2010-11 | 20110124 | CHINA P RP | 73049000 | C.S.SEAMLESS PIPE | 6.40 | 45,523 | 2,91,393 | PUC |
| 2010-11 | 20110131 | CHINA P RP | 73045110 | BEARING QUALITY STEEL TUBE SAE52100 : (SIZE - 55.6*7.1) | 6.20 | 61,560 | 3,81,611 | PUC |
| 2010-11 | 20110112 | FRANCE | 73043129 | HONED TUBES - TLTH800 ST52BK+S/1 101.6 X 114.3 X 6.35 ST 52BK+S/1 DIA 114.3-101 | 5.58 | 89,310 | 4,98,403 | PUC |
| 2010-11 | 20110128 | CHINA P RP | 73045120 | READY TO HONE PRECISION TUBE (135X160MM) | 5.28 | 63,545 | 3,35,282 | PUC |
| 2010-11 | 20110112 | FRANCE | 73042990 | CS (NACE) PIPE- ASTM A 106 GR. B, SMLS, NACE (QTY 53.60 MTR- UNIT PRICE 70.20 E | 5.09 | 1,02,253 | 5,20,670 | PUC |
| 2010-11 | 20110128 | CHINA P RP | 73069090 | SEAMLESS STEEL TUBES - [BEARING QUALITY]- 62040R | 5.01 | 63,384 | 3,17,807 | PUC |
| 2010-11 | 20110106 | U S A | 73049000 | SECONDARY SECOND CARBON STEEL SEAMLESS/ WELDED PIPES, MIXEDTHICKNESS MIXED LOT. | 5.00 | 23,605 | 1,18,024 | PUC |
| 2010-11 | 20110104 | U K | 73049000 | 6"MS-PIPE | 4.90 | 26,057 | 1,27,680 | PUC |
| 2010-11 | 20110124 | CHINA P RP | 73043119 | CARBON STEEL SEAMLESS PIPES SAE 1541 | 4.81 | 1,83,594 | 8,82,169 | PUC |
| 2010-11 | 20110124 | GERMANY | 73049000 | BOILER TUBES,SMLS 33,70 2,60MM P235GH-TC1 EN 10216-2 3.1 DIN EN 10204 R/L ENDS | 4.13 | 1,37,862 | 5,69,647 | PUC |
| 2010-11 | 20110125 | CHINA P RP | 73043139 | STEEL HONED TUBES (OD 240 X ID 200 X 6100 MM) NET WT 3971.20 KGS | 4.02 | 78,260 | 3,14,315 | PUC |
| 2010-11 | 20110125 | MALAYSIA | 73049000 | OILWELL EQUIPMENT : 700007609 BLANKS 4-1/2 12.6# L80 LTFT BLANK PIPE 20 FT LG | 4.00 | 1,22,893 | 4,91,573 | PUC |
| 2010-11 | 20110107 | CHINA P RP | 73041910 | SEAMLESS PIPES APL 5L/ASTM A106 GRB 610MMX10MM | 4.00 | 67,434 | 2,69,735 | PUC |
| 2010-11 | 20110103 | CHINA P RP | 73042390 | 2 -3/8 OD 6.65 LB/FT GRADE G-105 R2 DRILL PIPE NC 26 CONNECTIONS, 3-3/8 OD X | 3.46 | 3,87,332 | 13,38,620 | PUC |
| 2010-11 | 20110103 | CHINA P RP | 73049000 | SEAMLESS CARBON PIPE FITTINGS AS PER ASTM A234 WPB, DIN2605-01: ELBOW 90-200 NB | 3.30 | 73,786 | 2,43,272 | PUC |
| 2010-11 | 20110106 | CHINA P RP | 73049000 | SEAMLESS CARBON PIPE FITTINGS AS PER ASTM A234 WPB, DIN2605-01: ELBOW 90-200 NB | 3.30 | 73,786 | 2,43,272 | PUC |
| 2010-11 | 20110128 | U ARAB EMTS | 73049000 | MS DEFECTIVE PIPE | 3.00 | 26,418 | 79,254 | PUC |
| 2010-11 | 20110104 | TAIWAN | 73042990 | HONED TUBE WITH O.D. HARD CHROME PLATED ST52.3 - 50MM*60MM*1167MM | 2.89 | 1,34,658 | 3,89,565 | PUC |
| 2010-11 | 20110110 | GERMANY | 73043119 | COLD DRAWN SEAMLESS HYDRAULIC STEEL PIPES (ROUND 22.0 X 2.0)COO:AUSTRIA | 2.77 | 1,60,007 | 4,43,526 | PUC |
| 2010-11 | 20101113 | CHINA P RP | 73043119 | STEEL HONED TBES (OD 90 X ID 76 MM) | 2.72 | 73,530 | 2,00,247 | PUC |
| 2010-11 | 20110122 | CHINA P RP | 73045910 | CARBON STEEL SEAMLESS TUBES GR.SA210-A1 63.5 OD X 4.06 X 11500 MM (414 MTR X | 2.71 | 50,987 | 1,38,379 | PUC |
| 2010-11 | 20110122 | CHINA P RP | 73045910 | CARBON STEEL TUBES GR.SA210-A1 76.2 OD X 4.06 X 9000 MM (216 MTR X 8.92 = 19 | 2.55 | 51,097 | 1,30,400 | PUC |
| 2010-11 | 20110117 | ITALY | 73041190 | SEAMLESS COLD DRAWN TUBES FOR HYDRAULIC CYLINDERS ACCORDING (141.00 X ****X 10. | 2.52 | 63,968 | 1,60,944 | PUC |
| 2010-11 | 20110113 | FRANCE | 73043911 | CS NACE SEAMLESS PIPES (ASTM A106 GR.B SCH-XXS) SIZE: 1 | 2.51 | 1,31,614 | 3,30,482 | PUC |
| 2010-11 | 20110122 | CHINA P RP | 73045910 | CARBON STEEL SEAMLESS TUBES GR.SA210-A1 44.45 OD X 3.66 X 11000 MM (66 MTR X | 2.32 | 56,004 | 1,29,986 | PUC |
| 2010-11 | 20110103 | JAPAN | 73049000 | HOT FINISH SEAMLESS STEEL TUBES - OD 101.60MM X 7.30MM X 7000MM | 2.26 | 1,18,560 | 2,68,064 | PUC |
| 2010-11 | 20110117 | JAPAN | 73043939 | SEAMLESS CYLINDER PIPES DIN 17200, PLAIN ENDS(SIZE 267.0X6.5X5500-10550) | 2.00 | 1,21,598 | 2,43,195 | PUC |
| 2010-11 | 20110103 | GERMANY | 73049000 | M.S SEAMLESS PIPES SECOND CHOICE MIX | 2.00 | 24,665 | 49,330 | PUC |
| 2010-11 | 20110127 | CHINA P RP | 73049000 | CARBON STEEL SEAMLESS PIPES API 5L/ASTM A106/A53 GR.B - 48.3 MM X 5.08 MM | 2.00 | 48,769 | 97,538 | PUC |
| 2010-11 | 20110128 | CHINA P RP | 73045130 | READY TO HONE PRECISION TUBE (200X232MM) | 1.62 | 1,39,174 | 2,25,452 | PUC |
| 2010-11 | 20110107 | JAPAN | 73042990 | SMLS NACE PIPE ASTM A 106 GR. B 4 80 (QTY 12 MTR - UNIT PRICE 45.96 USD/MTR) | 1.42 | 1,70,247 | 2,40,900 | PUC |
| 2010-11 | 20110110 | GERMANY | 73043929 | SEAMLESS STEEL PIPES SIZE: 244.5 X 45.00 | 1.33 | 1,39,256 | 1,85,050 | PUC |
| 2010-11 | 20110125 | CHINA P RP | 73043119 | STEEL HONED TUBES (OD 95 X ID 63 X 7120 MM) NET WT 1109.00 KGS | 1.12 | 76,209 | 85,551 | PUC |
| 2010-11 | 20110113 | CHINA P RP | 73043129 | STEEL HONED TBES (OD 180 X ID 160 MM) | 1.05 | 75,277 | 78,926 | PUC |
| 2010-11 | 20110119 | U S A | 73041190 | SMLS PIPE 2" S/40 X 18-20 FT R/L'S | 1.00 | 1,60,339 | 1,60,339 | PUC |
| 2010-11 | 20110113 | FRANCE | 73043911 | CS NACE SEAMLESS PIPES (ASTM A106 GR.B) SIZE: 2 | 1.00 | 43,413 | 43,413 | PUC |
| 2010-11 | 20110105 | ITALY | 73049000 | M.S.LOW CARBON SEAMLESS PIPE MIXED DEFECTIVE | 1.00 | 35,450 | 35,450 | PUC |
| 2010-11 | 20110121 | CHINA P RP | 73045110 | COLD DRAWN SEAMLESS CARBON STEEL TUBES ASTM A 519 GRADE SAE1541SR (SIZE: 54.00 | 1.00 | 74,160 | 74,160 | PUC |
| 2010-11 | 20110121 | GERMANY | 73049000 | SEAMLESS COLD BROWN LOW CARBON STEEL TUBES SAE J 403-95(GRADE 1010) | 0.54 | 2,20,285 | 1,18,954 | PUC |
| 2010-11 | 20110120 | CHINA P RP | 73049000 | CARBON STEEL SEAMLESS PIPES ASTM A53/A106 GR.B | 0.41 | 29,094 | 11,783 | PUC |

**Import Data from DGCIS [All Countries PUC]
Apr 2009 to Jun 2012**

| Year | Date | Country | ITC-HS | Item-Des | Quantity (MT) | Price (Rs./MT) | Value (Rs) | PUC/ NPUC |
|---------|----------|-------------|----------|---|---------------|----------------|-------------|--------------|
| 2010-11 | 20110124 | CHINA P RP | 73049000 | CARBON STEEL SEAMLESS PIPES ASTM A 106 GR.B/API 5L GR.B | 0.40 | 69,105 | 27,642 | PUC |
| 2010-11 | 20110128 | TAIWAN | 73042990 | COLD DRAW PRECISION STEEL TUBE ST52.3 DIA 60MM* 70MM*1924MM(25 PCS) | 0.40 | 1,24,889 | 49,456 | PUC |
| 2010-11 | 20110131 | CHINA P RP | 73043911 | 73043911 SEAMLESS CARBON STEEL TUBES(TOSPEC.SA106) | 0.20 | 58,410 | 11,682 | PUC |
| 2010-11 | 20110131 | ITALY | 73045910 | ALLOY STEEL SECONDARY DEFECTIVE SEAMLESS PIPES, GRADE P11 | 0.10 | 44,490 | 4,449 | PUC |
| 2010-11 | 20110131 | U ARAB EMTS | 73049000 | CARBON STEEL SECONDARY SEAMLESS PIPES | 0.06 | 23,483 | 1,409 | PUC |
| 2010-11 | 20110120 | GERMANY | 73049000 | CARBON STEEL SECONDARY DEFECTIVE SEAMLESS PIPE | 0.03 | 1,29,567 | 3,887 | PUC |
| 2010-11 | 20110107 | CHINA P RP | 73049000 | CARBON STEEL SEAMLESS PIPE ASTM A 106 GR B.SIZE OD (MM) 60.30, WALL THIK (MM) 3 | 0.02 | 94,400 | 1,888 | PUC |
| 2010-11 | 20110127 | CANADA | 73049000 | SECONDARY/DEFECTIVE CARBON STEEL SEAMLESS PIPES | 0.01 | 4,33,200 | 4,332 | PUC |
| 2010-11 | 20110131 | U ARAB EMTS | 73049000 | SECONDARY SECOND CHOICE CARBON STEEL SEAMLESS PIPE MIXED LOT | 0.01 | 23,500 | 235 | PUC |
| 2010-11 | 20110131 | U ARAB EMTS | 73049000 | SECONDARY SECOND CHOICE CARBON STEEL SEAMLESS PIPE MIXED LOT | 0.01 | 23,500 | 235 | PUC |
| 2010-11 | 20110131 | U ARAB EMTS | 73049000 | SECONDARY SECOND CHOICE CARBON STEEL SEAMLESS PIPE MIXED LOT | 0.01 | 23,500 | 235 | PUC |
| 2010-11 | 20110103 | U ARAB EMTS | 73049000 | CARBON STEEL SECONDARY SEAMLESS PIPES | 0.01 | 22,800 | 228 | PUC |
| 2010-11 | 20110103 | U ARAB EMTS | 73049000 | CARBON STEEL SECONDARY SEAMLESS PIPES | 0.01 | 22,800 | 228 | PUC |
| 2010-11 | 20110110 | U ARAB EMTS | 73049000 | CARBON STEEL SECONDARY SEAMLESS PIPES | 0.01 | 22,800 | 228 | PUC |
| 2010-11 | 20110131 | CHINA P RP | 73049000 | CARBON STEEL SEAMLESS PIPES ASTM A 106/GR.BAPI 5L GR B | 0.01 | 49,700 | 497 | PUC |
| 2010-11 | 20110103 | CHINA P RP | 73049000 | CARBON STEEL SEAMLESS PIPES CONFIRMING TO API 5L GR.B/ASTM A 106 GR.B | 0.01 | 44,600 | 446 | PUC |
| 2010-11 | 20110127 | CHINA P RP | 73049000 | CARBON STEEL SEAMLESS PIPES | 0.01 | 31,300 | 313 | PUC |
| 2010-11 | 20110103 | CHINA P RP | 73049000 | CARBON STEEL SEAMLESS PIPES | 0.01 | 31,200 | 312 | PUC |
| 2010-11 | 20110103 | CHINA P RP | 73049000 | CARBON STEEL SEAMLESS PIPE GRADE B | 0.01 | 28,700 | 287 | PUC |
| 2010-11 | 20110105 | ITALY | 73049000 | SECONDARY SEAMLESS CARBON STEEL PIPES | 0.01 | 1,04,286 | 730 | PUC |
| 2010-11 | 20110110 | U K | 73049000 | SECONDARY SURPLUS CARBON STEEL PIPES | 0.01 | 38,833 | 233 | PUC |
| 2010-11 | 20110114 | KUWAIT | 73049000 | SECONDARY SECOND CHOICE CARBON STEEL SEAMLESS PIPE MIX SIZE& MIX LOT | 0.01 | 47,000 | 235 | PUC |
| 2010-11 | 20110127 | KUWAIT | 73049000 | SECONDARY SECOND CHOICE CARBON STEEL SEAMLESS PIPE MIX SIZE@ MIX LOT | 0.01 | 47,000 | 235 | PUC |
| 2010-11 | 20110124 | CHINA P RP | 73049000 | SECONDARY CARBON STEEL SEAMLESS PIPES IN MIXED SIZES | 0.01 | 47,600 | 238 | PUC |
| 2010-11 | 20110121 | CHINA P RP | 73049000 | CARBON STEEL SEAMLESS PIPES | 0.004 | 97,000 | 388 | PUC |
| 2010-11 | 20110127 | CHINA P RP | 73049000 | CARBON STEEL SEAMLESS PIPES | 0.004 | 78,250 | 313 | PUC |
| 2010-11 | 20110127 | CHINA P RP | 73049000 | CARBON STEEL SEAMLESS PIPES | 0.004 | 73,000 | 292 | PUC |
| 2010-11 | 20110103 | CHINA P RP | 73049000 | CARBON STEEL SEAMLESS PIPES | 0.003 | 1,06,333 | 319 | PUC |
| 2010-11 | 20110114 | CHINA P RP | 73049000 | CARBON STEEL SEAMLESS PIPES ASTM A 106 GRADE B API 5L GRADEB | 0.003 | 99,333 | 298 | PUC |
| 2010-11 | 20110104 | CHINA P RP | 73049000 | CARBON STEEL SEAMLESS PIPE | 0.003 | 97,000 | 291 | PUC |
| 2010-11 | 20110103 | CHINA P RP | 73049000 | CARBON STEEL SEAMLESS PIPES API 5LB/ASTM A 106B/A53B | 0.003 | 94,333 | 283 | PUC |
| 2010-11 | 20110128 | UKRAINE | 73049000 | SECONDARY CARBON STEEL SEAMLESS PIPES -(MIXED SIZES) | 0.002 | 1,21,500 | 243 | PUC |
| 2010-11 | 20110127 | GERMANY | 73049000 | CARBON STEEL SECONDARY SEAMLESS PIPES | 0.002 | 1,03,000 | 206 | PUC |
| 2010-11 | 20110119 | QATAR | 73049000 | SECONDARY CARBON STEEL SEAMLESS PIPES | 0.002 | 1,02,500 | 205 | PUC |
| 2010-11 | 20110117 | GERMANY | 73043919 | SECONDARY DEFECTIVE CARBON STEEL SEAMLESS PIPES | 0.001 | 47,000 | 47 | PUC |
| 2010-11 | 20110120 | CHINA P RP | 73049000 | CARBON STEEL SEAMLESS PIPES API-5L GR.B/A 106 GR.B (STOCK LOT) | 0.001 | 25,000 | 25 | PUC |
| 2010-11 | 20110113 | CHINA P RP | 73049000 | SECONDARY CARBON STEEL SEAMLESS PIPES IN MIXED SIZE | 0.001 | 24,000 | 24 | PUC |
| 2010-11 | 20110208 | ROMANIA | 73043911 | SEAMLESS CARBON STEEL TUBES TO SPEC SA210 | 1,031.00 | 70,671 | 7,28,62,086 | PUC |
| 2010-11 | 20110208 | ROMANIA | 73043911 | SEAMLESS CARBON STEEL TUBES TO SPEC SA210 | 1,030.00 | 70,740 | 7,28,62,084 | PUC |
| 2010-11 | 20110217 | CHINA P RP | 73043939 | HYDRAULIC CYLINDER TUBE 135*115(FOR CAPTIVE CONSUMPTION) | 818.00 | 1,833 | 14,99,612 | PUC |
| 2010-11 | 20110216 | FRANCE | 73049000 | HOT FINISHED SEAMLESS STEEL TUBES ASME SA 210, GRADE C, OD 50.8MM X WT 7.11MM X | 749.00 | 72,717 | 5,44,64,951 | PUC |

**Import Data from DGCIS [All Countries PUC]
Apr 2009 to Jun 2012**

| Year | Date | Country | ITC-HS | Item-Des | Quantity (MT) | Price (Rs./MT) | Value (Rs) | PUC/ NPUC |
|---------|----------|-------------|----------|---|---------------|----------------|-------------|--------------|
| 2010-11 | 20110225 | CHINA P RP | 73041910 | 732T OF SEAMLESS PIPE | 730.00 | 49,736 | 3,63,07,548 | PUC |
| 2010-11 | 20110221 | CHINA P RP | 73043911 | SEAMLESS CARBON STEEL TUBES(TO SPEC SA210)OD 63.50 X 6.30 X 12150 | 672.00 | 68,952 | 4,63,35,906 | PUC |
| 2010-11 | 20110201 | CHINA P RP | 73043911 | SEAMLESSTUBES(CARBON STEEL)T | 602.00 | 69,214 | 4,16,66,803 | PUC |
| 2010-11 | 20110201 | CHINA P RP | 73043911 | SEAMLESS TUBES(CARBON STEEL)TOSPEC SA210 | 601.00 | 69,329 | 4,16,66,804 | PUC |
| 2010-11 | 20110224 | CHINA P RP | 98010013 | SEAMLESS CARBON STEEL PIPES (TO SPEC SA106)(OD 127.00 X 11.50 X 6000) | 559.00 | 52,927 | 2,95,86,270 | PUC |
| 2010-11 | 20110208 | ITALY | 73043129 | SEAMLESS COLD DRAWN TUBES FOR HYDRAULIC CYLINDERS267,00X***X21,00MM (| 525.00 | 14,036 | 73,69,058 | PUC |
| 2010-11 | 20110208 | ITALY | 73043129 | SEAMLESS COLD DRAWN TUBES FOR HYDRAULIC CYLINDERS267,40X***X21,20MM (PARTS FOR | 518.00 | 14,226 | 73,69,058 | PUC |
| 2010-11 | 20110224 | QATAR | 73049000 | SECONDARY CARBON STEEL SEAMLESS PIPES | 417.00 | 23,943 | 99,84,069 | PUC |
| 2010-11 | 20110203 | JAPAN | 73043911 | TUBES:CARBON STEEL SEAMLESS TUBES (SA210) SIZE:45MM OD X 6.9MM WT X 10000MM | 412.97 | 76,160 | 3,14,51,719 | PUC |
| 2010-11 | 20110203 | JAPAN | 73043911 | TUBES:CARBON STEEL SEAMLESS TUBES (SA210) SIZE:45MM OD X 6.9MM WT X 10000MM | 412.97 | 76,160 | 3,14,51,719 | PUC |
| 2010-11 | 20110203 | CHINA P RP | 73043939 | SEAMLESS STEEL CYLINDER PIPE SIZE 139.8MMX4.2MMX37MM | 385.00 | 42,145 | 1,62,25,674 | PUC |
| 2010-11 | 20110204 | CHINA P RP | 73043919 | CARBON STEEL SEAMLESS TUBES ASTM A 179 SIZE: OD 33.4MM X THK 3.50MM X LENGTH105 | 381.89 | 46,579 | 1,77,87,945 | PUC |
| 2010-11 | 20110223 | CHINA P RP | 73043931 | SEAMLESS CARBON STEEL PIPES(TO SPEC SA106)OD 127.00 X 11.50 X 7000 | 345.00 | 53,241 | 1,83,68,279 | PUC |
| 2010-11 | 20110203 | CHINA P RP | 73041990 | PIPE, B-36.10 ASTM A 106 GR.B. BE, SEAMLESS,IBR 2.0 INCH. XS | 343.13 | 48,087 | 1,65,00,085 | PUC |
| 2010-11 | 20110224 | ITALY | 73049000 | CARBON STEEL SECONDARY DEFECTIVE SEAMLESS PIPE | 338.00 | 23,925 | 80,86,802 | PUC |
| 2010-11 | 20110205 | CHINA P RP | 73043119 | COLD DRAWN SEAMLESS CARBON STEEL TUBES DIN 1629/84 ST 52.4 SIZE : 33.5X4.5 X100 | 334.00 | 48,649 | 1,62,48,810 | PUC |
| 2010-11 | 20110225 | CHINA P RP | 73043919 | CARBON STEEL SEAMLESS TUBES ASTM A 179 (SIZE 33.4 MM OD X 4 MM THK X 10.5 - 11 | 305.27 | 46,291 | 1,41,31,044 | PUC |
| 2010-11 | 20110210 | GERMANY | 98010013 | SEAMLESS PIPES(A/S)(S37/2510)TOS | 305.00 | 1,68,034 | 5,12,50,299 | PUC |
| 2010-11 | 20110228 | CHINA P RP | 73049000 | CARBON STEEL SEAMLESS PIPES AS PER ASTM A106 GR.B/API 5L GR.B/A53 GR B | 283.00 | 31,888 | 90,24,166 | PUC |
| 2010-11 | 20110221 | CHINA P RP | 73041110 | CARBON STEEL SEAMLESS TUBES SA210 GR A1, OD38.1X4.06MM | 258.00 | 57,133 | 1,47,40,244 | PUC |
| 2010-11 | 20110223 | CHINA P RP | 73043931 | SEAMLESS CARBON STEEL PIPES(TO SPEC SA106) OD 127.00 X 11.50 X 5000 | 258.00 | 53,012 | 1,36,77,089 | PUC |
| 2010-11 | 20110228 | BELGIUM | 73042390 | SECONDAERY CARBON STEEL SEAMLESS TUBES | 253.00 | 23,460 | 59,35,490 | PUC |
| 2010-11 | 20110203 | BELGIUM | 73049000 | SECONDARY CARBON SEAMLESS PIPE | 244.00 | 21,170 | 51,65,525 | PUC |
| 2010-11 | 20110224 | ITALY | 73049000 | CARBON STEEL SECONDARY DEFECTIVE SEAMLESS PIPE | 229.00 | 23,972 | 54,89,539 | PUC |
| 2010-11 | 20110228 | CHINA P RP | 73043911 | SEAMLESS CARBON STEEL SEAMLESS HOLLOW (TO SPEC SA 210) | 229.00 | 56,640 | 1,29,70,454 | PUC |
| 2010-11 | 20110202 | CHINA P RP | 73049000 | CARBON STEEL SEAMLESS PIPE STOCK LOT | 225.00 | 26,908 | 60,54,405 | PUC |
| 2010-11 | 20110203 | ITALY | 73043939 | SEAMLESS STEEL TUBE GRADE 34CRM04 SIZE OD 267.00MM-WT 6.50MM | 219.34 | 76,857 | 1,68,58,017 | PUC |
| 2010-11 | 20110222 | ITALY | 73043911 | CDS PRECISION STEEL TUBES FOR HYDRAULIC CYLINDERS 155,00 X 12.50 ML 155X130X101 | 214.71 | 44,826 | 96,24,493 | PUC |
| 2010-11 | 20110222 | CHINA P RP | 73043911 | SEAMLESS CARBON STEEL TUBES(TO SPEC SA210)OD 38.10X4.50X13800 | 211.00 | 78,161 | 1,64,92,022 | PUC |
| 2010-11 | 20110203 | CHINA P RP | 73043939 | SEAMLESS STEEL CYLINDER PIPE SIZE 108MMX4MMX37MM | 207.00 | 42,079 | 87,10,383 | PUC |
| 2010-11 | 20110205 | UKRAINE | 73049000 | LINEPIPE, CARBON STEEL, ASTM A106/A53, API5L GR B/X42 PSL1: 8" SCH 80 SRL BE | 203.57 | 55,030 | 1,12,02,525 | PUC |
| 2010-11 | 20110228 | CHINA P RP | 73049000 | CARBON STEEL SEAMLESS PIPES ACCORDING TO ASTM A106/API 5L/GRADE B | 203.00 | 34,003 | 69,02,638 | PUC |
| 2010-11 | 20110226 | CHINA P RP | 73043919 | CARBON STEEL SEAMLESS TUBES SIZE 33.4 X 3.4 MM | 198.00 | 45,135 | 89,36,672 | PUC |
| 2010-11 | 20110207 | CHINA P RP | 73043119 | TUBES.51 OD X 6.35 THK X 10-11.8 M L SA 210 GR A1 (362 PCS - 3846.34 MTR - \$.7 | 198.00 | 42,727 | 84,60,021 | PUC |
| 2010-11 | 20110203 | CHINA P RP | 73049000 | HOT FINISHED SEAMLESS STEEL TUBES GRADE 34CRM04 | 189.00 | 55,427 | 1,04,75,790 | PUC |
| 2010-11 | 20110211 | SWEDEN | 73049000 | SURPLUS (PRIME) NON ALLOY SEAMLESS TUBES - AS PER MILL TEST CERTIFICATE ORDER | 187.00 | 40,939 | 76,55,664 | PUC |
| 2010-11 | 20110225 | ITALY | 73043911 | SEAMLESS CARBON STEEL TUBES TO SPEC SA 210 | 183.00 | 74,131 | 1,35,65,988 | PUC |
| 2010-11 | 20110203 | CANADA | 73049000 | SECONDARY/DEFECTIVE CARBON STEEL SEAMLESS PIPES | 175.00 | 21,850 | 38,23,741 | PUC |
| 2010-11 | 20110215 | CHINA P RP | 73045910 | CARBON SEAMLESS STEEL TUBES ASME SA210M GR.A1 38.1 OD X 4.06 WT X 11000 MM LG (| 166.98 | 54,884 | 91,64,664 | PUC |
| 2010-11 | 20110201 | CHINA P RP | 73043119 | CDS MEDIUM CARBON STEEL TUBES CONF.TO SPECN.SA-210 GRADE A1 (DIMENSIONS : 51 X | 162.82 | 51,237 | 83,42,429 | PUC |
| 2010-11 | 20110201 | U ARAB EMTS | 73049000 | M S PIPE | 160.00 | 30,236 | 48,37,696 | PUC |

**Import Data from DGCIS [All Countries PUC]
Apr 2009 to Jun 2012**

| Year | Date | Country | ITC-HS | Item-Des | Quantity (MT) | Price (Rs./MT) | Value (Rs) | PUC/ NPUC |
|---------|----------|-------------|----------|---|---------------|----------------|-------------|--------------|
| 2010-11 | 20110218 | CHINA P RP | 73049000 | CARBON STEEL SEAMLESS PIPES AS PER API 5L/ASTM A106 GR.B | 151.00 | 40,271 | 60,80,944 | PUC |
| 2010-11 | 20110209 | CHINA P RP | 73049000 | CARBON STEEL SEAMLESS PIPE ASTM A106 GRADE B | 138.00 | 30,097 | 41,53,355 | PUC |
| 2010-11 | 20110225 | CHINA P RP | 73045110 | ALLOY STEEL SEAMLESS TUBES 31.8 X 4 X 8600 MM (25387.20 MTR) / GRADE - ASME SA | 137.00 | 82,784 | 1,13,41,398 | PUC |
| 2010-11 | 20110205 | CHINA P RP | 73049000 | CARBON STEEL SEAMLESS PIPE STOCK LOT MIX SIZE ASTM A 106 GRB | 137.00 | 27,635 | 37,86,050 | PUC |
| 2010-11 | 20110225 | ITALY | 73049000 | CARBON STEEL SECONDARY DEFECTIVE SEAMLESS PIPE | 136.00 | 25,385 | 34,52,388 | PUC |
| 2010-11 | 20110209 | U ARAB EMTS | 73049000 | CARBON STEEL SECONDARY/DEFECTIVE WELDED/ SEAMLESS PIPE | 134.00 | 25,011 | 33,51,540 | PUC |
| 2010-11 | 20110224 | OMAN | 73069090 | SECONDARY & DEFECTIVE M.S.PIPES PSINO.0049182 DT.05.02.11.GEO CHEM DUBAI U.A.E | 133.00 | 20,965 | 27,88,365 | PUC |
| 2010-11 | 20110208 | U ARAB EMTS | 73049000 | CARBON STEEL SECONDARY SEAMLESS PIPES | 132.70 | 23,664 | 31,40,246 | PUC |
| 2010-11 | 20110218 | ITALY | 73043939 | SEMALESS STEEL TUBES O D 267.00 MM WT 7.70 MM (GRADE 34CRMO4) | 129.81 | 76,545 | 99,36,286 | PUC |
| 2010-11 | 20110228 | CHINA P RP | 98010013 | SEAMLESS CARBON STEEL SEAMLESS HOLLOW (TO SPEC SA 210)(S37/28/2010/GR6) CIF:RS | 124.00 | 47,713 | 59,16,398 | PUC |
| 2010-11 | 20110209 | U ARAB EMTS | 73049000 | CARBON STEEL SECONDARY SEAMLESS PIPE | 123.82 | 23,664 | 29,30,108 | PUC |
| 2010-11 | 20110214 | CHINA P RP | 73041190 | CARBON STEEL TUBES(31.75MM OD X 2.77MM(MIN)WT X 12000 LG) | 115.31 | 65,896 | 75,98,116 | PUC |
| 2010-11 | 20110216 | CHINA P RP | 73041910 | CARBON STEEL SEAMLESS PIPE 16 SCH 60 GRADE B, BE, ASME SA106, SRL (5.8M) (52 | 113.75 | 54,683 | 62,20,143 | PUC |
| 2010-11 | 20110222 | OMAN | 73069090 | SECONDARY DEFECTIVE M.S.PIPES OF MIX SIZES | 109.00 | 20,857 | 22,73,453 | PUC |
| 2010-11 | 20110204 | CHINA P RP | 73042990 | OD: 5-1/2 , 15.5 PPF,GRADE:J55, THREAD:BTC - CASING (5000 MTR)(ESSENTIAL CERTIF | 108.55 | 50,162 | 54,45,076 | PUC |
| 2010-11 | 20110217 | U ARAB EMTS | 73049000 | SECONDARY SECOND CARBON STEEL SEAMLESS/WELDED PIPES MIXED THICKNESS MIXED LOT. | 105.00 | 16,513 | 17,33,870 | PUC |
| 2010-11 | 20110212 | KUWAIT | 73041910 | SECONDARY SECOND CHOICE CARBON STEEL SEAMLESS PIPE MIX SIZE & MIX LOT | 104.87 | 23,465 | 24,60,762 | PUC |
| 2010-11 | 20110219 | U S A | 73049000 | SECONDARY CARBON STEEL SEAMLESS PIPES (MIX SIZE) | 104.00 | 22,315 | 23,20,767 | PUC |
| 2010-11 | 20110131 | FRANCE | 73042390 | SUPPLY OF HEAVY WEIGHT DRILL PIPES 5 OD 50 PPF HEAVY WEIGHT TL5 -65/8-3 ID- | 102.67 | 1,96,110 | 2,01,35,007 | PUC |
| 2010-11 | 20110222 | CHINA P RP | 73043919 | CARBON STEEL SEAMLESS TUBES TO ASME SA179/ASTM A179 (19.05 OD X 2.11 MM X 6100 | 101.55 | 56,055 | 56,92,374 | PUC |
| 2010-11 | 20110205 | ITALY | 73069090 | SEAMLESS COLD DRAWN TUBE (SIZE:126.00X8.00 ML 126X110X1142) | 101.14 | 60,060 | 60,74,614 | PUC |
| 2010-11 | 20110217 | U ARAB EMTS | 73049000 | SECONDARY SECOND CARBON STEEL SEAMLESS/ WELDED PIPES, (MIXED LOT) | 101.00 | 16,615 | 16,78,114 | PUC |
| 2010-11 | 20110203 | CHINA P RP | 73049000 | CARBON STEEL COLD DRAWN SEAMLESS STEEL PIPES ASTM A 106 GRADE B | 100.00 | 30,055 | 30,05,461 | PUC |
| 2010-11 | 20110203 | JAPAN | 98010013 | 98010013 SEAMLESS PIPES(C/S)(S37/20/2010)TO SPEC.SA106 | 99.00 | 78,943 | 78,15,334 | PUC |
| 2010-11 | 20110224 | OMAN | 73069090 | SECONDARY & DEFECTIVE M.S PIPES PSINO.0048874 DT.26.01.11. GEO CHEM DUBAI U.A.E | 99.00 | 20,732 | 20,52,477 | PUC |
| 2010-11 | 20110225 | U S A | 73049000 | M S CARBON SECONDARY / DEFECTIVE SEAMLESS PIPE | 97.00 | 16,317 | 15,82,773 | PUC |
| 2010-11 | 20110217 | CHINA P RP | 73043931 | 73043931 SEAMLESS PIPES(CARBON STEEL)TO SPEC.SA106 | 97.00 | 1,15,064 | 1,11,61,238 | PUC |
| 2010-11 | 20110209 | CHINA P RP | 73049000 | CARBON STEEL SEAMLESS TUBES AS PER DIN 17175 GRADE NO. ST 35.8, SIZE OD 27MM X | 95.00 | 47,814 | 45,42,306 | PUC |
| 2010-11 | 20110210 | JAPAN | 73043129 | CARBON STEEL SEAMLESS LINEPIPE OD 273.1MM X WT14.3MM X 11.8M-12.4M | 83.08 | 81,505 | 67,71,645 | PUC |
| 2010-11 | 20110217 | U ARAB EMTS | 73049000 | SECONDARY SECOND CARBON STEEL SEAMLESS/WELDED PIPES MIXED THICKNESS MIXED LOT. | 81.00 | 16,591 | 13,43,910 | PUC |
| 2010-11 | 20110225 | UKRAINE | 73049000 | SECONDARY CARBON STEEL SEAMLESS PIPES MIXED SIZES (OD 33.4MM- 169.00MM X LENGT | 80.00 | 22,417 | 17,93,341 | PUC |
| 2010-11 | 20110217 | U ARAB EMTS | 73049000 | SECONDARY SECOND CARBON STEEL SEAMLESS / WELDED PIPES (MIXED LOT) | 79.00 | 16,665 | 13,16,527 | PUC |
| 2010-11 | 20110208 | CHINA P RP | 73043119 | NON ALLOY STEEL SEAMLESS PIPES API 5L GRADE B 141.3MMX9.53MM | 79.00 | 42,932 | 33,91,606 | PUC |
| 2010-11 | 20110204 | BELGIUM | 73049000 | M.S. DEFECTIVE SEAMLESS STEEL TUBES, SECOND CHOICE | 78.00 | 25,565 | 19,94,081 | PUC |
| 2010-11 | 20110221 | CHINA P RP | 73045920 | SEAMLESS PIPE ST.52 DIMENSION 133MMX4MMX6 MTR LENGTH ASPEREN10020 STANDARD | 78.00 | 52,937 | 41,29,113 | PUC |
| 2010-11 | 20110208 | CHINA P RP | 73042990 | NON ALLOY STEEL SEAMLESS PIPES API 5L GRADE B 219.1MMX10.31MM | 78.00 | 43,482 | 33,91,606 | PUC |
| 2010-11 | 20110217 | CHINA P RP | 73043119 | NON ALLOY STEEL SEAMLESS PIPES API 5L GRADE B 219.1MMX10.31MM | 77.00 | 43,972 | 33,85,841 | PUC |
| 2010-11 | 20110212 | CHINA P RP | 73049000 | CARBON STEEL SEAMLESS PIPES L (5-5.8M) ASTM 106 GR B/ API 5L GR B/A 53 GR B | 77.00 | 33,492 | 25,78,898 | PUC |
| 2010-11 | 20110205 | CHINA P RP | 73049000 | CARBON STEEL SEAMLESS PIPES API-5L GR.B/A 106 GR.B | 77.00 | 28,549 | 21,98,297 | PUC |
| 2010-11 | 20110211 | UNSPECIFIED | 73045910 | 73045910 SEAMLESS TUBES(ALLOY STEEL)TO SPEC.SA | 75.00 | 1,15,116 | 86,33,676 | PUC |
| 2010-11 | 20110221 | CHINA P RP | 73049000 | CARBON STEEL SEAMLESS PIPES API 5L/ ASTM A106 GR.B | 74.00 | 39,392 | 29,15,004 | PUC |

**Import Data from DGCIS [All Countries PUC]
Apr 2009 to Jun 2012**

| Year | Date | Country | ITC-HS | Item-Des | Quantity (MT) | Price (Rs./MT) | Value (Rs) | PUC/ NPUC |
|---------|----------|-------------|----------|---|---------------|----------------|------------|--------------|
| 2010-11 | 20110224 | U ARAB EMTS | 73049000 | SECONDARY SECOND CARBON STEEL SEAMLESS/WELDED PIPES(MIXED LOT) | 72.00 | 16,594 | 11,94,788 | PUC |
| 2010-11 | 20110207 | CHINA P RP | 73041110 | PIPE, B-36.10 ASTM A 106 GR.B BE, SEAMLESS IBR 1.5 INCH S160 | 68.41 | 68,794 | 47,06,272 | PUC |
| 2010-11 | 20110210 | U K | 73049000 | CARBON STEEL SECONDARY PRECISION ERW PIPES | 68.00 | 28,567 | 19,42,525 | PUC |
| 2010-11 | 20110224 | CHINA P RP | 98010013 | SEAMLESS CARBON STEEL TUBES (TO SPEC SA 210)(OD 51.00 X 5.60 X 12150) | 68.00 | 68,811 | 46,79,141 | PUC |
| 2010-11 | 20110217 | CHINA P RP | 73049000 | PRIME CARBON STEEL SEAMLESS PIPES TO ASTM A 106 GR.B | 65.00 | 34,223 | 22,24,466 | PUC |
| 2010-11 | 20110201 | CHINA P RP | 73045910 | 8764KG BEARING STEEL TUBE FOR MANUFACTURING OF BEARING OR 6204OR 47.7*5.29 MM(O | 64.00 | 65,340 | 41,81,758 | PUC |
| 2010-11 | 20110210 | CHINA P RP | 73041110 | CS SEAMLESS TUBE SA-179 - 25.4OD X2.11WTX12192LG | 62.00 | 59,436 | 36,85,014 | PUC |
| 2010-11 | 20110203 | CHINA P RP | 73041110 | SEAMLESS CARBON STEEL PIPE ,ASTM A106GR B 101.6MM X9.5MM (9.744MTS)/101.6MMX12M | 59.86 | 32,624 | 19,53,033 | PUC |
| 2010-11 | 20110205 | ITALY | 73069090 | SEAMLESS COLD DRAWN TUBES (SIZE:74.00X57.00X****MM) | 59.71 | 1,01,742 | 60,74,614 | PUC |
| 2010-11 | 20110221 | CHINA P RP | 73041110 | CARBON STEEL SEAMLESS TUBES SA210 GR A1, OD38.1X4.06MM | 57.00 | 55,721 | 31,76,095 | PUC |
| 2010-11 | 20110224 | CHINA P RP | 73049000 | CARBON STEEL SEAMLESS PIPES STOCK LOT | 55.00 | 31,285 | 17,20,688 | PUC |
| 2010-11 | 20110203 | KUWAIT | 73049000 | SECONDARY/DEFECTIVE SEAMLESS M.S PIPE | 54.00 | 20,661 | 11,15,708 | PUC |
| 2010-11 | 20110207 | U ARAB EMTS | 73049000 | CARBON STEEL SEAMLESS SECONDARY PIPES | 53.00 | 24,088 | 12,76,686 | PUC |
| 2010-11 | 20110215 | JAPAN | 73049000 | SECONDARY CARBON STEEL SEAMLESS DEFECTIVE PIPES | 53.00 | 23,899 | 12,66,621 | PUC |
| 2010-11 | 20110217 | BELGIUM | 73049000 | SECONDARY DEFECTIVE CARBON STEEL SEAMLESS PIPES | 53.00 | 20,532 | 10,88,195 | PUC |
| 2010-11 | 20110205 | CHINA P RP | 73043919 | CARBON STEEL SEAMLESS TUBES AS PER DIN2391 ST 52 BKS (SIZE 95 MM OD X 80 MM I | 52.00 | 57,763 | 30,03,671 | PUC |
| 2010-11 | 20110211 | CHINA P RP | 73049000 | SEAMLESS STEEL PIPE - R2868 133MM X 4MM WT PIPE | 52.00 | 51,864 | 26,96,907 | PUC |
| 2010-11 | 20110214 | CHINA P RP | 73049000 | CARBON STEEL SEAMLESS PIPES GRADE ASTM 106 | 52.00 | 46,410 | 24,13,294 | PUC |
| 2010-11 | 20110204 | CHINA P RP | 73049000 | CARBON STEEL SEAMLESS PIPES API 5L/ ASTM A106 GR.B | 52.00 | 39,927 | 20,76,187 | PUC |
| 2010-11 | 20110214 | CHINA P RP | 73049000 | CARBON STEEL SEAMLESS PIPES API 5L/ ASTM A106 GR.B | 52.00 | 39,525 | 20,55,279 | PUC |
| 2010-11 | 20110208 | U ARAB EMTS | 73049000 | SECONDARY SECOND CHOICE CARBON STEEL SEAMLESS PIPE MIXED SIZE MIXED LOT | 51.00 | 23,972 | 12,22,587 | PUC |
| 2010-11 | 20110221 | OMAN | 73069090 | SECONDARY DEFECTIVE MS PIPES OF MIX SIZES | 51.00 | 20,711 | 10,56,275 | PUC |
| 2010-11 | 20110225 | CHINA P RP | 73049000 | (20)26.70MMX5.50MM (ODXWT) SEAMLESS STEEL TUBESBK. 5-5.8M ST-52 TENSILE 6.40MPA | 51.00 | 54,111 | 27,59,648 | PUC |
| 2010-11 | 20110211 | CHINA P RP | 73049000 | SEAMLESS STEEL PIPE - R2868 133MM X 4MM WT PIPE | 51.00 | 52,881 | 26,96,906 | PUC |
| 2010-11 | 20110224 | CHINA P RP | 73043119 | NON ALLOY STEEL SEAMLESS PIPES API 5L GRADE `B 219.1MMX15.09MM | 51.00 | 46,621 | 23,77,656 | PUC |
| 2010-11 | 20110208 | CHINA P RP | 73043919 | CARBON STEEL SEAMLESS PIPES TO ASTM A-179 (OD 33.40MM, THK 3.40MM, LENGTH OVER | 51.00 | 45,031 | 22,96,581 | PUC |
| 2010-11 | 20110228 | CHINA P RP | 73049000 | SECONDARY CARBON STEEL SEAMLESS PIPES IN MIXED SIZES | 51.00 | 23,988 | 12,23,373 | PUC |
| 2010-11 | 20110208 | ITALY | 73043911 | CDS PRECISION STEEL TUBES FOR HYDRAULIC CYLINDERS120,00X10,00ML120X10 | 50.37 | 80,505 | 40,54,741 | PUC |
| 2010-11 | 20110208 | ITALY | 73043911 | CDS PRECISION STEEL TUBES FOR HYDRAULIC CYLINDERS120,00X10,00ML120X100X325 | 50.31 | 80,592 | 40,54,741 | PUC |
| 2010-11 | 20110228 | CHINA P RP | 73049000 | CARBON STEEL SEAMLESS PIPES API-5L GR.B/A 106 GR.B | 50.00 | 34,266 | 17,13,324 | PUC |
| 2010-11 | 20110228 | ROMANIA | 98010013 | 98010013 SEAMLESS PIPES(C/S)(S37/38/10)TO SPEC.SA106 | 49.00 | 72,447 | 35,49,894 | PUC |
| 2010-11 | 20110201 | CHINA P RP | 73049000 | CARBON STEEL SEAMLESS PIPES STOCK LOT | 49.00 | 26,881 | 13,17,157 | PUC |
| 2010-11 | 20110224 | CHINA P RP | 73043119 | NON ALLOY STEEL SEAMLESS PIPES API 5L GRADE `B 114.3MMX8.56MM | 48.00 | 49,392 | 23,70,813 | PUC |
| 2010-11 | 20110204 | CHINA P RP | 73049000 | CARBON STEEL SEAMLESS PIPES AS PER API 5L GR.B/A106 GR.B | 48.00 | 46,392 | 22,26,798 | PUC |
| 2010-11 | 20110205 | CHINA P RP | 73043919 | CARBON STEEL SEAMLESS TUBES API 5 L / ASTM A 106 GR B (SIZE 21.3 MM OD X 3.73 | 47.00 | 47,009 | 22,09,432 | PUC |
| 2010-11 | 20110209 | CHINA P RP | 73049000 | SEAMLESS CARBON STEEL PIPE 114.3 X 4.5 X 5800 (3503.2 METER) 604 PCS | 46.84 | 41,321 | 19,35,642 | PUC |
| 2010-11 | 20110209 | GERMANY | 98010013 | 98010013 SEAMLESS PIPES(C/S)(S37/28/10)TO SPEC.SA106 | 46.00 | 65,122 | 29,95,604 | PUC |
| 2010-11 | 20110224 | U K | 73069090 | SECONDARY DIFECTING MS PIPES PSI NO. 000001/U/A/J/1000010/B/2 DT. 15.01.11 WLSI | 45.00 | 25,961 | 11,68,257 | PUC |
| 2010-11 | 20110201 | CHINA P RP | 73042200 | BRAND NEW DRILL PIPES 4.5 OD (1500 METERS) (ESSENTIAL CERTIFICATE NO.ECIN201101 | 44.65 | 1,38,931 | 62,03,250 | PUC |
| 2010-11 | 20110221 | CHINA P RP | 73069090 | SEAMLESS STEEL TUBES - [BEARING QUALITY] - 63011R [SIZE 20.1 X 4.8 MM] GRADE | 44.00 | 78,333 | 34,46,660 | PUC |
| 2010-11 | 20110204 | CHINA P RP | 73041910 | SEAMLESS PRECISION STEEL TUBE - 50 X 6 X L (=940MMX 2/3/4/5/6) | 44.00 | 52,467 | 23,08,564 | PUC |

**Import Data from DGCIS [All Countries PUC]
Apr 2009 to Jun 2012**

| Year | Date | Country | ITC-HS | Item-Des | Quantity (MT) | Price (Rs./MT) | Value (Rs) | PUC/ NPUC |
|---------|----------|-------------|----------|---|---------------|----------------|------------|--------------|
| 2010-11 | 20110208 | CHINA P RP | 73043119 | SEAMLESS COLD DRAWN TUBES GRADE SAE52100/GCR15(+/-10%)SIZE(36.87X5.23MM)C 0.97 | 43.95 | 68,035 | 29,90,351 | PUC |
| 2010-11 | 20110214 | U S A | 73049000 | M S PIPES SECONDARY DEFECTIVE OF VARIOUS SIZE (PSIC NO. 08186/K/D/106624/A DT:2 | 43.00 | 22,490 | 9,67,062 | PUC |
| 2010-11 | 20110215 | CHINA P RP | 73049000 | SEAMLESS CARBON STEEL PIPE ASTM A106 / API5L / A53 GR.B SIZE 6 INCH X SCH80 | 43.00 | 40,502 | 17,41,606 | PUC |
| 2010-11 | 20110222 | CHINA P RP | 73049000 | PRIME CARBON STEEL SEAMLESS PIPES TO ASTM A 106 GR.B | 43.00 | 34,494 | 14,83,237 | PUC |
| 2010-11 | 20110221 | CHINA P RP | 73049000 | CARBON STEEL SEAMLESS PIPES STOCK LOT | 42.00 | 30,545 | 12,82,869 | PUC |
| 2010-11 | 20110215 | CHINA P RP | 73045110 | BEARING QUALITY STEEL TUBE SAE 52100 (BB 1079OR) SIZE:51.25X40.31MM | 41.04 | 70,135 | 28,78,250 | PUC |
| 2010-11 | 20110208 | CHINA P RP | 73049000 | CARBON STEEL SEAMLESS PIPE API 5L /ASTM A 106 GR B OD 168.3MM X WT 4.5 MM X LE | 41.00 | 44,110 | 18,08,516 | PUC |
| 2010-11 | 20110222 | ITALY | 73043911 | CDS PRECISION STEEL TUBES FOR HYDRAULIC CYLINDERS126,00 X 8,00 ML 126X110X1142 | 39.29 | 77,002 | 30,25,244 | PUC |
| 2010-11 | 20110222 | CHINA P RP | 73049000 | CARBON STEEL SEAMLESS PIPES (API5L/ASTM A 106 GR.B) (141.3MM,168.3MM X 3.96MM,4 | 38.00 | 47,275 | 17,96,460 | PUC |
| 2010-11 | 20110208 | CHINA P RP | 73049000 | SEAMLESS CARBON STEEL PIPE ASTM A106 60.3 X 3.91MM | 37.14 | 44,845 | 16,65,549 | PUC |
| 2010-11 | 20110201 | CHINA P RP | 73043929 | CARBON STEEL SEAMLESS (SIZE: 219 X 28MM) | 35.00 | 44,378 | 15,53,231 | PUC |
| 2010-11 | 20110224 | U ARAB EMTS | 73049000 | SECONDARY SECOND CARBON STEEL SEAMLESS/WELDED PIPES(MIXED LOT) | 33.00 | 16,879 | 5,56,996 | PUC |
| 2010-11 | 20110215 | FRANCE | 73041910 | 65 PIPES-B 36.10,ASTM A106 GR.B,SMLS,PE,ACAT3 DIAM 1.5 THK 7,14MM | 32.00 | 81,250 | 25,99,992 | PUC |
| 2010-11 | 20110214 | CHINA P RP | 73045110 | STEEL TUBE DIA 4.76 0.55MM WITH ZINC COATED | 31.42 | 68,776 | 21,60,799 | PUC |
| 2010-11 | 20110211 | CHINA P RP | 73042990 | SEAMLESS CASING PIPES, P-110 ,SIZE OD 88.9MM, ID-70.2MM, L-80, SIZE OD 368MM, I | 30.00 | 67,547 | 20,26,395 | PUC |
| 2010-11 | 20110207 | CHINA P RP | 73041110 | PIPE B-36.10,ASTM A 106 GR.B,PE SEAMLESS 1.5 INCH ,XS | 29.91 | 45,676 | 13,66,256 | PUC |
| 2010-11 | 20110218 | JAPAN | 73049000 | SEAMLESS ALLOY STEEL TUBES JIS G3441 SCM415TK 36.70MM OD X 28.10MM ID X 5M | 29.56 | 1,39,042 | 41,10,510 | PUC |
| 2010-11 | 20110129 | CHINA P RP | 73043119 | SKIVED AND BURNISHED TUBES(ID-125MM X OD-140MM) | 27.60 | 47,201 | 13,02,973 | PUC |
| 2010-11 | 20110209 | U ARAB EMTS | 73049000 | M S PIPE | 27.00 | 30,606 | 8,26,368 | PUC |
| 2010-11 | 20110208 | CHINA P RP | 73045910 | SEAMLESS STEEL PIPES ST 52 (Q345 B) BLACK PAINTING PLAIN ENDS LENGTH;5.5 TO 9.5 | 26.48 | 53,532 | 14,17,521 | PUC |
| 2010-11 | 20110204 | BELGIUM | 73049000 | M.S.SEAMLESS PIPE SECONDARY SECOND CHOICE MIX | 26.00 | 23,468 | 6,10,164 | PUC |
| 2010-11 | 20110218 | U ARAB EMTS | 73049000 | SECONDARY SECOND CHOICE CARBON STEEL SEAMLESS/WELDED PIPES | 26.00 | 21,264 | 5,52,864 | PUC |
| 2010-11 | 20110223 | CHINA P RP | 73043931 | SEAMLESS CARBON STEEL PIPES(TO SPEC SA106)OD 159.00 X 30.00 X 5000 | 26.00 | 78,874 | 20,50,720 | PUC |
| 2010-11 | 20110221 | CHINA P RP | 73043931 | SEAMLESS CARBON STEEL PIPES(TO SPEC SA 106)OD 108.00 X 12.50 X 6000 | 26.00 | 78,579 | 20,43,048 | PUC |
| 2010-11 | 20110214 | CHINA P RP | 73041110 | CARBON STEEL AND ALLOY STEEL SEAMLESS TUBES SA 210 GR A1, OD44.5X6.3MM | 26.00 | 50,708 | 13,18,416 | PUC |
| 2010-11 | 20110218 | CHINA P RP | 73044900 | SEAMLESS CARBON STEEL PIPES ASTM A106 GR.B OD 168.3 MM X WT4.5MM X LENGTH 5500 | 26.00 | 48,535 | 12,61,906 | PUC |
| 2010-11 | 20110218 | CHINA P RP | 73049000 | CARBON STEEL SEAMLESS PIPES GRADE ASTM A 106-B | 26.00 | 34,739 | 9,03,222 | PUC |
| 2010-11 | 20110211 | CHINA P RP | 73045110 | SEAMLESS STEEL PIPES - O.D: 27.0MM, W.T: 3MM, L: 10-11.5M -TOTAL PCS 1306 | 25.41 | 45,950 | 11,67,498 | PUC |
| 2010-11 | 20110205 | CHINA P RP | 73045110 | COLD DRAWN CARBON STEEL SEAMLESS MOTHER TUBES (MOTHER HOLLOW) DIN17175 ST35.8 - | 25.39 | 46,869 | 11,89,770 | PUC |
| 2010-11 | 20110204 | CHINA P RP | 73049000 | 26.70X6.00 ST52 TENSILE 640 MPA MIN B12 5-5.8 METER SEAMLESS STEEL TUB | 25.00 | 76,383 | 19,09,587 | PUC |
| 2010-11 | 20110207 | CHINA P RP | 73043939 | COLD DRAWN SEAMLESS TUBE OD:60MM (-0.00 / + 0.2MM) ID:36MM (+2MM) | 25.00 | 42,963 | 10,74,081 | PUC |
| 2010-11 | 20110216 | CHINA P RP | 73043939 | SEAMLESS STEEL PIPES (SIZE:60X12X1000-5800) TOL. OD & THK+ - 0.3MM) , ASTM A | 25.00 | 42,550 | 10,63,742 | PUC |
| 2010-11 | 20110201 | CHINA P RP | 73041910 | SEAMLESS STEEL PIPE (ASTM A106 GR B) API 5L GRADE B/ASTMA53 GR B BOTH ENDS | 25.00 | 41,585 | 10,39,619 | PUC |
| 2010-11 | 20110215 | CHINA P RP | 73049000 | CARBON STEEL SEAMLESS PIPE ASTM A106 GRADE B SIZE 82 X 6.5 MM | 25.00 | 41,125 | 10,28,130 | PUC |
| 2010-11 | 20110228 | CHINA P RP | 73049000 | CARBON STEEL SEAMLESS PIPES ASTM 106 GR B/API 5L GR B/A53 GRB | 25.00 | 34,618 | 8,65,458 | PUC |
| 2010-11 | 20110204 | CHINA P RP | 73043119 | CARBON STEEL SEAMLESS PIPE ASTM A106 GR.B | 25.00 | 29,927 | 7,48,181 | PUC |
| 2010-11 | 20110208 | CHINA P RP | 73041990 | SEAMLESS PIPE 73.02MM ODX9.19MM THK | 24.94 | 75,377 | 18,79,901 | PUC |
| 2010-11 | 20110203 | CHINA P RP | 73049000 | CARBON STEEL SEAMLESS PIPES 193.70MMX6.35MMX5.39M[1 PCS] | 24.19 | 63,193 | 15,28,311 | PUC |
| 2010-11 | 20110221 | U K | 73049000 | CARBON STEEL SECONDARY PRECISION ERW PIPES | 24.00 | 28,775 | 6,90,602 | PUC |
| 2010-11 | 20110221 | ITALY | 73049000 | M.S SEAMLESS PIPE SECOND CHOICE MIX | 24.00 | 22,853 | 5,48,469 | PUC |
| 2010-11 | 20110211 | CHINA P RP | 73049000 | CARBON STEEL SEAMLESS PIPE | 24.00 | 36,822 | 8,83,731 | PUC |

**Import Data from DGCIS [All Countries PUC]
Apr 2009 to Jun 2012**

| Year | Date | Country | ITC-HS | Item-Des | Quantity (MT) | Price (Rs./MT) | Value (Rs) | PUC/ NPUC |
|---------|----------|-------------|----------|---|---------------|----------------|------------|--------------|
| 2010-11 | 20110217 | CHINA P RP | 73041990 | BEARING QUALITY STEEL TUBE 46*4.0 (2 BUNDLE) | 23.92 | 69,681 | 16,66,917 | PUC |
| 2010-11 | 20110201 | SWITZERLAND | 73049000 | SEMI PROFILE KBK II (LAUFBAHNHALFTE KBK II) (601 MTR) | 23.74 | 67,176 | 15,94,970 | PUC |
| 2010-11 | 20110202 | CHINA P RP | 73041990 | BEARING QUALITY STEEL TUBE 81*5.5(4 BUNDLES)GRADE GCR15 | 23.73 | 66,190 | 15,70,954 | PUC |
| 2010-11 | 20110214 | CHINA P RP | 73049000 | SEAMLESS HOT ROLLED STEEL PIPE , STEEL GRADE#20, AS PER SPECIFICATION OF GB/T8 | 23.67 | 49,429 | 11,69,746 | PUC |
| 2010-11 | 20110209 | CHINA P RP | 73041910 | HONED TUBE ST 45 AND ST 52BK S SIZE:200X220X5300MM (ST 52) | 23.34 | 41,242 | 9,62,560 | PUC |
| 2010-11 | 20110214 | UNSPECIFIED | 73045110 | BEARING QUALITY STEEL TUBE SAE-52100 & SUJ-3 (TMB6304OR) SIZE : 52.6 X 5.55 | 23.00 | 71,592 | 16,46,620 | PUC |
| 2010-11 | 20110211 | JAPAN | 73049000 | SECONDARY SEAMLESS CARBON STEEL PIPES | 23.00 | 37,155 | 8,54,576 | PUC |
| 2010-11 | 20110215 | QATAR | 73049000 | CARBON STEEL SECONDARY SEAMLESS PIPES MIXED LOT | 23.00 | 29,383 | 6,75,804 | PUC |
| 2010-11 | 20110225 | ITALY | 73049000 | CARBON STEEL SECONDARY DEFECTIVE SEAMLESS PIPE | 23.00 | 25,468 | 5,85,759 | PUC |
| 2010-11 | 20110210 | SINGAPORE | 73049000 | SECONDARY SECOND CHOICE CARBON STEEL SEAMLESS/WELDED PIPES | 23.00 | 21,297 | 4,89,830 | PUC |
| 2010-11 | 20110214 | CHINA P RP | 73045110 | BEARING QUALITY STEEL TUBE SAE-52100 & SUJ-3 (TMB6205MIR) SIZE : 34.4 X 5.05 | 23.00 | 71,592 | 16,46,620 | PUC |
| 2010-11 | 20110224 | CHINA P RP | 73069090 | STEEL TUBES - GCR15. [BEARING QUALITY] - 6004OR [SIZE 42.7 X 4.1 MM] | 23.00 | 68,915 | 15,85,051 | PUC |
| 2010-11 | 20110214 | CHINA P RP | 73041110 | CARBON STEEL AND ALLOY STEEL SEAMLESS TUBES SA 210 GR A1, OD44.5X6.3MM | 23.00 | 57,322 | 13,18,416 | PUC |
| 2010-11 | 20110211 | CHINA P RP | 73049000 | CARBON STEEL SEAMLESS PIPES ASTM-106 GRADE B | 23.00 | 46,809 | 10,76,608 | PUC |
| 2010-11 | 20110215 | CHINA P RP | 73069090 | SEMI FINISHED TUBES(30*30*0.8MM*5.8M)MILD STEEL | 23.00 | 40,813 | 9,38,704 | PUC |
| 2010-11 | 20110211 | CHINA P RP | 73049000 | CARBON STEEL SEAMLESS PIPES GRADE ASTM A 106 B | 23.00 | 36,293 | 8,34,728 | PUC |
| 2010-11 | 20110221 | GERMANY | 73043939 | CYLINDER TUBES SEAMLESS (COLD DRAWN)(HP, OD-185.00XID 160.00 H8 IN RANDOM LENG | 22.87 | 1,37,668 | 31,49,014 | PUC |
| 2010-11 | 20110204 | CHINA P RP | 73043939 | SEAMLESS STEEL TUBE GRADE SAE52100/GCR15 28.65 X 6.00 (MADEOF M.S.) | 22.80 | 67,306 | 15,34,364 | PUC |
| 2010-11 | 20110202 | CHINA P RP | 73041990 | BEARING QUALITY STEEL TUBE 33*3.5 (6 BUNDLE)GRADE GCR15 | 22.70 | 72,406 | 16,43,917 | PUC |
| 2010-11 | 20110214 | FRANCE | 73043911 | HOT FINISHED SEAMLESS CARBON STEEL TUBES(TO SPEC SA210)OD 50.8MM X MIN. WT 7.11 | 22.00 | 71,020 | 15,62,447 | PUC |
| 2010-11 | 20110222 | U ARAB EMTS | 73049000 | CARBON STEEL PIPES (SECONDARY DEFECTIVE) NON ALLOY. | 22.00 | 24,036 | 5,28,792 | PUC |
| 2010-11 | 20110223 | CHINA P RP | 73043939 | CARBON SEAMLESS STEEL TUBE 73*5.4MM | 22.00 | 42,333 | 9,31,324 | PUC |
| 2010-11 | 20110219 | CHINA P RP | 73049000 | CARBON STEEL SEAMLESS PIPES GRADE ASTM A 106 B | 22.00 | 35,013 | 7,70,291 | PUC |
| 2010-11 | 20110208 | CHINA P RP | 73043119 | SEAMLESS COLD DRAWN TUBES GRADE SAE52100/GCR15(+/-10%)SIZE(38.97X4.97MM)C 1.0 C | 21.96 | 64,330 | 14,12,816 | PUC |
| 2010-11 | 20110213 | ITALY | 73043121 | SEAMLESS COLD DRAWN TUBES FOR HYDRAULIC CYLINDERS ACCORDING 205,00X****X20,00MM | 21.72 | 1,01,107 | 21,96,143 | PUC |
| 2010-11 | 20110210 | CHINA P RP | 73043129 | SEAMLESS STEEL CYLINDER TUBES - 203*180 | 21.41 | 76,708 | 16,42,005 | PUC |
| 2010-11 | 20110210 | CHINA P RP | 73043129 | SEAMLESS STEEL CYLINDER TUBES - 203*180 | 21.41 | 76,708 | 16,42,005 | PUC |
| 2010-11 | 20110211 | CHINA P RP | 73043129 | SEAMLESS STEEL TUBES - 203*180 | 21.35 | 76,814 | 16,40,088 | PUC |
| 2010-11 | 20110207 | CHINA P RP | 73042400 | SEAMLESS TUBE OF SIZE 48X5MM 4-5M AS PER DIN 2391 ST 52 NBK GRADE (4000 MTRS) | 21.21 | 47,915 | 10,16,125 | PUC |
| 2010-11 | 20110215 | CHINA P RP | 73049000 | CARBON SEAMLESS STEEL PIPES ASTM A106 GRB - (80MMX12MM) | 21.00 | 44,746 | 9,39,666 | PUC |
| 2010-11 | 20110204 | CHINA P RP | 73045110 | STEEL TUBE DIA 4.76 X 0.60 MM WITH COPPER COATED | 20.28 | 60,071 | 12,18,033 | PUC |
| 2010-11 | 20110212 | CHINA P RP | 73049000 | STEEL TUBES OF 100CR6 FOR MFG.OF BEARINGS SIZE: 77.6 X7.10MM (C-0.95, SI-0.27, | 20.26 | 81,194 | 16,45,308 | PUC |
| 2010-11 | 20110215 | JAPAN | 73043911 | CS SEAMLESS TUBULAR (API 5L GR. X 42 PSL 1 (2007) API 5L GR.B PSL 1 (2007)) SI | 20.10 | 1,00,486 | 20,19,562 | PUC |
| 2010-11 | 20110208 | SINGAPORE | 73049000 | SECONDARY SECOND CHOICE CARBON STEEL SEAMLESS/WELDED PIPES | 20.00 | 21,644 | 4,32,873 | PUC |
| 2010-11 | 20110204 | CHINA P RP | 73045110 | STEEL TUBE DIA 4.76 X 0.60 MM WITH COPPER COATED | 19.73 | 60,071 | 11,85,238 | PUC |
| 2010-11 | 20110211 | UNSPECIFIED | 73043119 | SEAMLESS COLD DRAWN STEEL TUBE (DIN 2391 ST52) | 19.00 | 58,784 | 11,16,903 | PUC |
| 2010-11 | 20110203 | CHINA P RP | 73043929 | CARBON STEEL SEAMLESS TUBE/SEAMLESS PIPE-SIZE:159MM*9MM*5.8 M (OTHER THAN STAI | 19.00 | 31,485 | 5,98,221 | PUC |
| 2010-11 | 20110210 | CHINA P RP | 73043139 | HYDRAULIC CYLINDER TUBE (SIZE: 83 X 70 MM) | 18.30 | 89,588 | 16,39,702 | PUC |
| 2010-11 | 20110207 | CHINA P RP | 73045110 | BEARING QUALITY STEEL TUBE SAE 52100 38.6*4.0 | 18.18 | 65,019 | 11,82,310 | PUC |
| 2010-11 | 20110218 | GERMANY | 73045910 | BOILER QUALITY SEAMLESS ALLOY STEEL TUBES | 18.00 | 1,00,430 | 18,07,737 | PUC |
| 2010-11 | 20110224 | QATAR | 73049000 | SECONDARY CARBON STEEL PIPE FITTINGS | 18.00 | 21,700 | 3,90,605 | PUC |

**Import Data from DGCIS [All Countries PUC]
Apr 2009 to Jun 2012**

| Year | Date | Country | ITC-HS | Item-Des | Quantity (MT) | Price (Rs./MT) | Value (Rs) | PUC/ NPUC |
|---------|----------|------------|----------|---|---------------|----------------|------------|--------------|
| 2010-11 | 20110211 | CHINA P RP | 73043119 | SEAMLESS COLD DRAWN STEEL TUBE (DIN 2391 ST52) | 18.00 | 62,050 | 11,16,903 | PUC |
| 2010-11 | 20110212 | THAILAND | 73041910 | IRON PIPE THRD & COUPL, SMLS SIZE:2" GRADE:API5L-B GALVIDCODE:PPXC 442 ORIGIN | 17.57 | 1,20,712 | 21,21,158 | PUC |
| 2010-11 | 20110212 | SAUDI ARAB | 73049000 | SECONDARY SECOND CARBON STEEL SEAMLESS/WELDED PIPES MIXED THICKNESS MIXED LOT. | 17.00 | 18,271 | 3,10,613 | PUC |
| 2010-11 | 20110209 | CHINA P RP | 73045110 | COLD DRAWN SEAMLESS CARBON STEEL TUBES ASTM A 519 GRADE 37MN5 (SIZE: 114.30 X 6 | 17.00 | 54,120 | 9,20,041 | PUC |
| 2010-11 | 20110219 | CHINA P RP | 73045120 | READY TO HONE PRECISION TUBE (160X203MM) | 15.88 | 23,118 | 3,67,212 | PUC |
| 2010-11 | 20110208 | JAPAN | 73049000 | COLD DRAWAN SEAMLESS TUBE ITEM NO. RGPS037 14.15(+0.08/-0)X9.0(+/-0.1)MM GRADE | 15.83 | 2,76,435 | 43,75,140 | PUC |
| 2010-11 | 20110211 | JAPAN | 73041110 | C.R. ALLOY STEEL TUBE FOR BEARING SIZE:OD64.70MMXWT8.50MM | 15.00 | 1,15,175 | 17,27,632 | PUC |
| 2010-11 | 20110210 | JAPAN | 73043129 | CARBON STEEL SEAMLESS LINEPIPE OD 168.3MM X WT17.5MM X 11.8M-12.4M | 14.39 | 63,601 | 9,15,087 | PUC |
| 2010-11 | 20110226 | JAPAN | 73069090 | SEAMLESS STEEL MECHANICAL PIPES BYYJ8321, GRADE: STKM 11A, DIM: 135.00 X 10.00 | 14.32 | 83,537 | 11,96,336 | PUC |
| 2010-11 | 20110219 | CHINA P RP | 73045110 | READY TO HONE PRECISION TUBE (42 (FINISH 40) X 12MM (42X18)) | 13.94 | 61,986 | 8,64,079 | PUC |
| 2010-11 | 20110212 | FRANCE | 73043911 | CS NACE SEAMLESS PIPES (ASTM A106 B) SIZE: 8 | 13.59 | 75,724 | 10,28,860 | PUC |
| 2010-11 | 20110201 | JAPAN | 73042990 | ALLOY STEEL SEAMLESS TUPBE (OD35.5MM X QWT 3.2MM)GRADE - 100CR6 | 13.00 | 95,167 | 12,37,167 | PUC |
| 2010-11 | 20110218 | CHINA P RP | 73045920 | HOT FINISHED CARBON STEEL SEAMLESS MOTHER PIPES [194MM X 25MM X 9.8M X 9] | 13.00 | 62,827 | 8,16,757 | PUC |
| 2010-11 | 20110215 | CHINA P RP | 73043119 | COLD DRAWN STEEL TUBE FOR MFR OF HYD CYLINDER (82.X6.25MM) | 13.00 | 61,972 | 8,05,637 | PUC |
| 2010-11 | 20110221 | GERMANY | 73043139 | COLD DRAWN SEAMLESS TUBES OD 254.00MM (PLUS/MINUS 1.8MM)XW.T 6.35MM(PLUS/MINUS | 12.93 | 1,24,865 | 16,14,756 | PUC |
| 2010-11 | 20110218 | ITALY | 73043121 | SEAMLESS COLD DRAWN TUBES FOR HYDRAULIC CYLINDERS ACCORDING 135,00X***X10,00MM | 12.54 | 1,02,549 | 12,85,451 | PUC |
| 2010-11 | 20110211 | CHINA P RP | 73041190 | CARBON STEEL TUBES (38.1MM OD X 2.11 MM(MIN) WT X 12200 LG) | 12.07 | 50,040 | 6,03,871 | PUC |
| 2010-11 | 20110217 | CHINA P RP | 73045920 | HOT FINISHED CARBON STEEL SEAMLESS MOTHER PIPES [194MM X 25MM X 7.98M X 9] | 12.00 | 61,947 | 7,43,365 | PUC |
| 2010-11 | 20110202 | GERMANY | 73043129 | PRECISION STEEL TUBES GRADE STE- 460 5 PCS MATERIAL NO.10087702 O.D 290 MM IN 2 | 11.53 | 1,44,243 | 16,63,271 | PUC |
| 2010-11 | 20110203 | CHINA P RP | 73049000 | CDS PRECISION STEEL TUBE AS PER DIN 2391 P.2 GR.ST.35 13.5MM OD X 2.6MM WT X 50 | 10.30 | 80,970 | 8,33,993 | PUC |
| 2010-11 | 20110202 | CHINA P RP | 73049000 | SEAMLESS STEEL PIPES : 50NB X 60.3MM X 40 NB X 3.91MM | 10.00 | 52,202 | 5,22,018 | PUC |
| 2010-11 | 20110209 | CHINA P RP | 73043939 | SAE 52100 SEAMLESS PIPES 29 .00 MM X 22.00 MM X 3.50 MM | 9.97 | 66,912 | 6,67,183 | PUC |
| 2010-11 | 20110212 | SAUDI ARAB | 73049000 | SECONDARY SECOND CARBON STEEL SEAMLESS/WELDED PIPES MIXED THICKNESS MIXED LOT. | 9.00 | 18,847 | 1,69,623 | PUC |
| 2010-11 | 20110202 | CHINA P RP | 73049000 | CARBON STEEL SEAMLESS PIPE STOCK LOT | 8.00 | 28,964 | 2,31,712 | PUC |
| 2010-11 | 20110201 | NETHERLAND | 73043129 | STEEL TUBES, HEAVY WALL, SMLS 406,40 50,00 MM E355 P355N S355J2H EN 10210 EN 10 | 7.16 | 88,551 | 6,34,290 | PUC |
| 2010-11 | 20110205 | U S A | 73049000 | CARBON STEEL SECONDARY SEAMLESS PIPES MIX LOT,MIX GRADE, MIX SIZES, MIX THICKNE | 7.00 | 40,973 | 2,86,813 | PUC |
| 2010-11 | 20110208 | ITALY | 73043129 | 170.00X***17.50MM-SEAMLESS COLD DRAWN TUBESFOR HYDRAULIC CYLIND | 7.00 | 6,478 | 45,347 | PUC |
| 2010-11 | 20110208 | ITALY | 73043129 | 170.00X***17.50MM-SEAMLESS COLD DRAWN TUBESFOR HYDRAULIC CYLINDERS(PARTS FOR DO | 7.00 | 6,478 | 45,347 | PUC |
| 2010-11 | 20110224 | CHINA P RP | 73049000 | CARBON STEEL SEAMLESS PIPES STOCK LOT | 7.00 | 33,104 | 2,31,730 | PUC |
| 2010-11 | 20110204 | ARGENTINA | 73049000 | CARBON STEEL SEAMLESS PIPES O.D. 273.10MM WALL THICKNESS 15.09MM (QTY 6 PCS / 6 | 6.60 | 1,55,278 | 10,24,213 | PUC |
| 2010-11 | 20110217 | CHINA P RP | 73045110 | BEARING QUALITY STEEL TUBE SAE52100 : (SIZE : 55.6*7.1) | 6.22 | 62,032 | 3,85,842 | PUC |
| 2010-11 | 20110216 | JAPAN | 73049000 | COLD DRAWN SEAMLESS STEEL TUBE (FOR PISTON PIN) GRADE SCM-415H (JIS) (O.D. 1 | 6.02 | 2,95,680 | 17,79,698 | PUC |
| 2010-11 | 20110223 | CHINA P RP | 73043119 | HONE STEEL TUBES (60X50X6000MM) | 6.00 | 86,623 | 5,19,737 | PUC |
| 2010-11 | 20110203 | CHINA P RP | 73043919 | CARBON STEEL SEAMLESS TUBE/SEAMLESS PIPE-SIZE:114.3MM*8MM*5.8 M (OTHER THAN STA | 6.00 | 31,929 | 1,91,573 | PUC |
| 2010-11 | 20110208 | JAPAN | 73049000 | COLD DRAWN SEAMLESS STEEL TUBE (FOR PISTON PIN) GRADE SCM-415H (JIS) (O.D. 13 | 5.77 | 2,95,680 | 17,06,074 | PUC |
| 2010-11 | 20110221 | GERMANY | 73043139 | COLD DRAWN SEAMLESS TUBES OD 254.00MM (PLUS/MINUS 1.8MM)XW.T 6.35MM(PLUS/MINUS | 5.72 | 1,24,865 | 7,13,729 | PUC |
| 2010-11 | 20110212 | FRANCE | 73043911 | CS NACE SEAMLESS PIPES (ASTM A106 B) SIZE: 8 | 5.55 | 91,970 | 5,10,619 | PUC |
| 2010-11 | 20110201 | NETHERLAND | 73043119 | STEEL TUBES, HEAVY WALL, SMLS 406,40 50,00 MM ST 52.0 E355 S355J2H DIN 1629 EN | 5.29 | 94,104 | 4,97,432 | PUC |
| 2010-11 | 20110215 | CHINA P RP | 73043129 | COLD DRAWN STEEL TUBE FOR MFR OF HYD CYLINDER (130X10.25MM) | 5.00 | 60,394 | 3,01,968 | PUC |
| 2010-11 | 20110209 | CHINA P RP | 73041990 | HONED TUBE 114 X 100 (H8-H9) X 5000 -- 6000 (50 PCS) 247 MTRS | 4.56 | 79,015 | 3,60,465 | PUC |
| 2010-11 | 20110203 | CHINA P RP | 73041990 | STEEL TUBE WITH COPPER COATED OR ZINC COATED 8MM X 0.6MM(G.I. PIPE) (USE IN REF | 4.36 | 48,822 | 2,12,717 | PUC |

**Import Data from DGCIS [All Countries PUC]
Apr 2009 to Jun 2012**

| Year | Date | Country | ITC-HS | Item-Des | Quantity (MT) | Price (Rs./MT) | Value (Rs) | PUC/ NPUC |
|---------|----------|-------------|----------|---|---------------|----------------|------------|--------------|
| 2010-11 | 20110222 | U ARAB EMTS | 73049000 | CARBON STEEL PIPES (SECONDARY DEFECTIVE) NON ALLOY. | 4.00 | 27,777 | 1,11,109 | PUC |
| 2010-11 | 20110224 | ITALY | 73049000 | CARBON STEEL SECONDARY DEFECTIVE SEAMLESS PIPE | 4.00 | 27,613 | 1,10,451 | PUC |
| 2010-11 | 20110224 | ITALY | 73049000 | CARBON STEEL SECONDARY DEFECTIVE SEAMLESS PIPE | 4.00 | 27,613 | 1,10,451 | PUC |
| 2010-11 | 20110215 | CHINA P RP | 73043929 | COLD DRAWN STEEL TUBE FOR MFR OF HYD CYLINDER (95X7.75MM) | 4.00 | 70,697 | 2,82,787 | PUC |
| 2010-11 | 20110203 | GERMANY | 73049000 | 10085577 SEAMLESS PRECISION STEEL TUBES - DIN EN 10305-1 OUT.DIAM. 233.00 IN | 3.98 | 98,454 | 3,91,846 | PUC |
| 2010-11 | 20110218 | FRANCE | 73043911 | CS NACE SEAMLESS PIPES (ASTM A106 B) SIZE: 5 | 3.25 | 83,715 | 2,71,656 | PUC |
| 2010-11 | 20110212 | FRANCE | 73043911 | CS NACE SEAMLESS PIPES (ASTM A106 B) SIZE: 6 | 3.23 | 85,182 | 2,75,052 | PUC |
| 2010-11 | 20110215 | FRANCE | 73043911 | CS NACE SEAMLESS PIPES - CS SMLS PIPE ASTM A106 GR.B SIZE: 4 | 3.04 | 95,577 | 2,90,268 | PUC |
| 2010-11 | 20110217 | JAPAN | 73049000 | COLD DRAWN SEAMLESS STEEL TUBE ITEM NO. O.D. 19.40MMX I.D.11.50MM GRADE SCR-420 | 3.00 | 2,80,078 | 8,39,115 | PUC |
| 2010-11 | 20110219 | U ARAB EMTS | 73043911 | CONSTRUCTION MATERIALS FOR BUILDING MODULE - (PIPE CARBON STEEL SEAMLESS SCH40 | 2.50 | 42,106 | 1,05,264 | PUC |
| 2010-11 | 20110224 | FRANCE | 73043911 | CS NACE SEAMLESS PIPES (CS NACE PIPE SEAMLESS - ASTM A106B) SIZE: 8 | 2.19 | 1,31,963 | 2,88,998 | PUC |
| 2010-11 | 20110212 | FRANCE | 73043911 | CS NACE SEAMLESS PIPES (ASTM A106 B) SIZE: 2 | 2.01 | 81,364 | 1,63,541 | PUC |
| 2010-11 | 20110210 | SPAIN | 73049000 | M.S. SEAMLESS PIPE SECOND DEFECTIVE | 2.00 | 26,692 | 53,384 | PUC |
| 2010-11 | 20110224 | U ARAB EMTS | 73049000 | SECONDARY SECOND CARBON STEEL SEAMLESS/WELDED PIPES(MIXED LOT) | 2.00 | 18,508 | 37,016 | PUC |
| 2010-11 | 20110219 | FRANCE | 73043911 | CS NACE SEAMLESS PIPES (ASTM A106 B) SIZE: 4 | 1.78 | 80,821 | 1,44,184 | PUC |
| 2010-11 | 20110228 | CHINA P RP | 73049000 | API 5CT TUBING PUP JOINT 2-7/8 6.5PPF EUE BOX X PIN 4 FT N80-Q TOTAL 107 PICES | 1.67 | 1,47,647 | 2,45,832 | PUC |
| 2010-11 | 20110201 | U K | 73042390 | SLIP, DRILLPIPE 5-1/2 IN SDHL ROTARY W/5 INSERTS, FLEX HANDLES | 1.00 | 2,50,945 | 2,50,945 | PUC |
| 2010-11 | 20110217 | CHINA P RP | 73041910 | SEAMLESS RECTANGULAR PIPES (120X80MM) | 1.00 | 65,007 | 65,007 | PUC |
| 2010-11 | 20110201 | CHINA P RP | 73049000 | CARBON STEEL SEAMLESS PIPES STOCK LOT | 1.00 | 27,687 | 27,687 | PUC |
| 2010-11 | 20110224 | ITALY | 73043129 | COLD DRAWN SMLS TUBES E355+SR EN 10305/1 READY FOR HONING(QT | 0.97 | 1,31,562 | 1,27,089 | PUC |
| 2010-11 | 20110218 | FRANCE | 73043911 | CS NACE SEAMLESS PIPES (ASTM A106 B) SIZE: 4 | 0.94 | 1,00,053 | 93,650 | PUC |
| 2010-11 | 20110211 | FRANCE | 73043911 | CS NACE SEAMLESS PIPES (ASTM A106 B) SIZE: 1.5 | 0.87 | 1,50,934 | 1,31,765 | PUC |
| 2010-11 | 20110204 | UNSPECIFIED | 73043129 | COLD DRAWN SMLS TUBES E355 + SR EN 10305/1 MM 50X5 (SEAMLESS TUBES) | 0.54 | 1,05,924 | 56,775 | PUC |
| 2010-11 | 20110204 | ITALY | 73043129 | COLD DRAWN SMLS TUBES E355 + SR EN 10305/1 MM 50X5 (SEAMLESS TUBES) | 0.54 | 1,05,924 | 56,775 | PUC |
| 2010-11 | 20110214 | CHINA P RP | 73049000 | CARBON STEEL SEAMLESS PIPES GRADE ASTM 106 | 0.30 | 1,29,947 | 38,984 | PUC |
| 2010-11 | 20110203 | CHINA P RP | 73041990 | MILD STEEL PIPE (WASTE OIL MACHINE ACCESSORY) | 0.25 | 2,20,560 | 55,140 | PUC |
| 2010-11 | 20110225 | FRANCE | 73043911 | CS NACE SEAMLESS PIPES (CS NACE PIPE SEAMLESS - ASTM A106B) SIZE: 0.75 | 0.20 | 1,00,825 | 20,165 | PUC |
| 2010-11 | 20110215 | CHINA P RP | 73049000 | CARBON SEAMLESS STEEL PIPES ASTM A106 GRB - (80MMX12MM) | 0.20 | 1,15,635 | 23,127 | PUC |
| 2010-11 | 20110225 | FRANCE | 73043911 | CS NACE SEAMLESS PIPES (CS NACE PIPE SEAMLESS - ASTM A106B) SIZE: 0.5 | 0.18 | 2,00,760 | 35,133 | PUC |
| 2010-11 | 20110223 | FRANCE | 73043911 | CS NACE SEAMLESS PIPES (CS NACE PIPE SEAMLESS - ASTM A106B) SIZE: 1.5 | 0.14 | 2,39,556 | 34,496 | PUC |
| 2010-11 | 20110222 | CHINA P RP | 73041910 | SEAMLESS STEEL TUBE (18MM X 2.5MM) (60 MTR) (10 PCS) (DIN 2391-94/C) (MILD ST | 0.14 | 1,76,843 | 24,758 | PUC |
| 2010-11 | 20110223 | FRANCE | 73043911 | CS NACE SEAMLESS PIPES (CS NACE PIPE SEAMLESS - ASTM A106B) SIZE: 1 | 0.13 | 2,58,454 | 33,599 | PUC |
| 2010-11 | 20110225 | U S A | 73049000 | M S CARBON SECONDARY / DEFECTIVE SEAMLESS PIPE | 0.10 | 81,320 | 8,132 | PUC |
| 2010-11 | 20110217 | U ARAB EMTS | 73049000 | SECONDARY SECOND CARBON STEEL SEAMLESS / WELDED PIPES (MIXED LOT) | 0.10 | 44,540 | 4,454 | PUC |
| 2010-11 | 20110217 | U ARAB EMTS | 73049000 | SECONDARY SECOND CARBON STEEL SEAMLESS/WELDED PIPES MIXED THICKNESS MIXED LOT. | 0.10 | 44,540 | 4,454 | PUC |
| 2010-11 | 20110217 | U ARAB EMTS | 73049000 | SECONDARY SECOND CARBON STEEL SEAMLESS/WELDED PIPES MIXED THICKNESS MIXED LOT. | 0.10 | 44,540 | 4,454 | PUC |
| 2010-11 | 20110217 | U ARAB EMTS | 73049000 | SECONDARY SECOND CARBON STEEL SEAMLESS/ WELDED PIPES, (MIXED LOT) | 0.10 | 44,540 | 4,454 | PUC |
| 2010-11 | 20110225 | ITALY | 73049000 | CARBON STEEL SECONDARY DEFECTIVE SEAMLESS PIPE | 0.10 | 40,430 | 4,043 | PUC |
| 2010-11 | 20110225 | ITALY | 73049000 | CARBON STEEL SECONDARY DEFECTIVE SEAMLESS PIPE | 0.10 | 40,430 | 4,043 | PUC |
| 2010-11 | 20110224 | FRANCE | 73043911 | CS NACE SEAMLESS PIPES (CS NACE PIPE SEAMLESS - ASTM A106B) SIZE: 1 | 0.10 | 2,94,541 | 28,865 | PUC |
| 2010-11 | 20110204 | GERMANY | 73043919 | THICK WALL TUBING 025X6.3MM MAT.ST37 SPARE PART FOR CASTINGMACHINE C40 (USED F | 0.05 | 45,460 | 2,273 | PUC |

**Import Data from DGCIS [All Countries PUC]
Apr 2009 to Jun 2012**

| Year | Date | Country | ITC-HS | Item-Des | Quantity (MT) | Price (Rs./MT) | Value (Rs) | PUC/ NPUC |
|---------|----------|----------------|----------|---|---------------|----------------|--------------|--------------|
| 2010-11 | 20110209 | U ARAB EMTS | 73049000 | CARBON STEEL SECONDARY SEAMLESS PIPE | 0.05 | 23,660 | 1,183 | PUC |
| 2010-11 | 20110208 | CHINA P RP | 73045910 | CARBON STEEL TUBES GRADE : SA210 A1 SIZE 38.10 X 4.06 X 11000 MM (11 MTR X 4. | 0.04 | 60,463 | 2,479 | PUC |
| 2010-11 | 20110208 | U ARAB EMTS | 73049000 | CARBON STEEL SECONDARY SEAMLESS PIPES | 0.04 | 23,675 | 947 | PUC |
| 2010-11 | 20110214 | CHINA P RP | 73041110 | CARBON STEEL SEAMLESS TUBES SA 192, OD60.3X6.3MM | 0.04 | 2,05,800 | 8,232 | PUC |
| 2010-11 | 20110204 | CHINA P RP | 73049000 | CARBON STEEL SEAMLESS PIPES API 5L/ ASTM A106 GR.B | 0.03 | 1,58,067 | 4,742 | PUC |
| 2010-11 | 20110203 | CANADA | 73049000 | SECONDARY/DEFECTIVE CARBON STEEL SEAMLESS PIPES | 0.03 | 87,320 | 2,183 | PUC |
| 2010-11 | 20110204 | BELGIUM | 73049000 | M.S.SEAMLESS PIPE SECONDARY SECONDD CHOICE MIX | 0.02 | 1,14,600 | 2,292 | PUC |
| 2010-11 | 20110208 | SINGAPORE | 73049000 | SECONDARY SECONDD CHOICE CARBON STEEL SEAMLESS/WELDED PIPES | 0.02 | 82,850 | 1,657 | PUC |
| 2010-11 | 20110221 | CHINA P RP | 73049000 | CARBON STEEL SEAMLESS PIPES API 5L/ ASTM A106 GR.B | 0.02 | 97,050 | 1,941 | PUC |
| 2010-11 | 20110221 | ITALY | 73049000 | M.S SEAMLESS PIPE SECONDD CHOICE MIX | 0.01 | 1,13,000 | 1,130 | PUC |
| 2010-11 | 20110205 | U S A | 73049000 | CARBON STEEL SECONDARY SEAMLESS PIPES MIX LOT,MIX GRADE, MIX SIZES, MIX THICKNE | 0.01 | 40,500 | 405 | PUC |
| 2010-11 | 20110215 | QATAR | 73049000 | CARBON STEEL SECONDARY SEAMLESS PIPES MIXED LOT | 0.01 | 58,000 | 290 | PUC |
| 2010-11 | 20110209 | CHINA P RP | 73049000 | CARBON STEEL SEAMLESS PIPE ASTM A106 GRADE B | 0.01 | 1,21,400 | 607 | PUC |
| 2010-11 | 20110211 | CHINA P RP | 73049000 | CARBON STEEL SEAMLESS PIPES ASTM-106 GRADE B | 0.01 | 92,000 | 460 | PUC |
| 2010-11 | 20110219 | U S A | 73049000 | SECONDARY CARBON STEEL SEAMLESS PIPES (MIX SIZE) | 0.003 | 1,19,000 | 357 | PUC |
| 2010-11 | 20110207 | U ARAB EMTS | 73049000 | CARBON STEEL SEAMLESS SECONDARY PIPES | 0.003 | 79,000 | 237 | PUC |
| 2010-11 | 20110208 | U ARAB EMTS | 73049000 | SECONDARY SECONDD CHOICE CARBON STEEL SEAMLESS PIPE MIXED SIZE MIXED LOT | 0.003 | 79,000 | 237 | PUC |
| 2010-11 | 20110218 | U ARAB EMTS | 73049000 | SECONDARY SECONDD CHOICE CARBON STEEL SEAMLESS/WELDED PIPES | 0.003 | 69,667 | 209 | PUC |
| 2010-11 | 20110203 | KUWAIT | 73049000 | SECONDARY/DEFECTIVE SEAMLESS M.S PIPE | 0.003 | 68,000 | 204 | PUC |
| 2010-11 | 20110214 | CHINA P RP | 73049000 | CARBON STEEL SEAMLESS PIPES API 5L/ASTM A106 GR.B | 0.003 | 1,31,667 | 395 | PUC |
| 2010-11 | 20110215 | CHINA P RP | 73049000 | SEAMLESS CARBON STEEL PIPE ASTM A106 / API5L / A53 GR.B SIZE6 INCH X SCH80 X 5 | 0.003 | 1,19,667 | 359 | PUC |
| 2010-11 | 20110219 | CHINA P RP | 73049000 | CARBON STEEL SEAMLESS PIPES GRADE ASTM A 106 B | 0.003 | 1,13,000 | 339 | PUC |
| 2010-11 | 20110218 | CHINA P RP | 73049000 | CARBON STEEL SEAMLESS PIPES GRADE ASTM A 106-B | 0.003 | 1,13,000 | 339 | PUC |
| 2010-11 | 20110217 | CHINA P RP | 73049000 | PRIME CARBON STEEL SEAMLESS PIPES TO ASTM A 106 GR.B | 0.003 | 1,13,000 | 339 | PUC |
| 2010-11 | 20110211 | CHINA P RP | 73049000 | CARBON STEEL SEAMLESS PIPE | 0.002 | 1,80,000 | 360 | PUC |
| 2010-11 | 20110205 | CHINA P RP | 73049000 | CARBON STEEL SEAMLESS PIPE STOCK LOT MIX SIZE ASTM A 106 GRB | 0.002 | 1,24,000 | 248 | PUC |
| 2010-11 | 20110228 | CHINA P RP | 73049000 | CARBON STEEL SEAMLESS PIPES ASTM 106 GR B/API 5L GR B/A53 GRB | 0.001 | 33,000 | 33 | PUC |
| 2010-11 | 20110228 | CHINA P RP | 73049000 | CARBON STEEL SEAMLESS PIPES AS PER ASTM A106 GR.B/API 5L GR.B/A53 GR B | 0.001 | 32,000 | 32 | PUC |
| 2010-11 | 20110312 | CZECH REPUBLIC | 73049000 | STOCK LOT CARBON STEEL SEAMLESS LINE PIPES (STEEL DESIGNATION/GRADE:11353)(SIZE | 1,237.00 | 26,743 | 3,30,81,645 | PUC |
| 2010-11 | 20110314 | CHINA P RP | 73042390 | SEAMLESS STEEL EUE TUBINGS (TUBUNG 2 7/8 , OD. 6.5 PPF, L-80 EUE,8947PCS) | 789.79 | 83,922 | 6,62,80,285 | PUC |
| 2010-11 | 20110308 | CHINA P RP | 98010013 | SEAMLESS CARBON STEEL PIPES TO SPEC SA106 S37/39/2010 CIF RS 109831978 | 763.00 | 1,43,948 | 10,98,31,978 | PUC |
| 2010-11 | 20110308 | CHINA P RP | 98010013 | SEAMLESS CARBON STEEL PIPES TO SPEC SA106 S37/39/2010 CIF RS 109831978 | 763.00 | 1,43,948 | 10,98,31,976 | PUC |
| 2010-11 | 20110314 | CHINA P RP | 73042390 | SEAMLESS STEEL EUE TUBINGS (TUBING 2 7/8 OD. 6.5PPF, L-80 EUE) 8317PCS | 734.14 | 83,921 | 6,16,09,763 | PUC |
| 2010-11 | 20110309 | CHINA P RP | 73042390 | SEAMLESS STEEL EUE TUBINS (TUBING 2 7/8 OD,6.5 P PF,L-80 EUE) 6658 PCS | 587.20 | 83,921 | 4,92,78,732 | PUC |
| 2010-11 | 20110323 | CHINA P RP | 73042990 | HOT ROLLED SEAMLESS STEEL CYLINDER PIPE (CMN) TUBE SIZE 232MM X 5.4MM 37MM | 549.00 | 56,356 | 3,09,39,240 | PUC |
| 2010-11 | 20110217 | CHINA P RP | 73042200 | SEAMLESS MILD STEEL PIPE (5 X 9.3 5 X 12000) (15000 MTR) (STANDARD : ASTM A 10 | 456.00 | 55,926 | 2,55,02,244 | PUC |
| 2010-11 | 20110319 | CHINA P RP | 73049000 | STEEL TUBES 76.1 X 11.0 MM (ASME SA-106 B) | 444.13 | 56,520 | 2,51,02,368 | PUC |
| 2010-11 | 20110316 | CHINA P RP | 73049000 | CARBON STEEL SEAMLESS TUBES (SA 210C) SIZE: 63.5MM X 9.4MM X 10000MM | 418.33 | 59,652 | 2,49,54,183 | PUC |
| 2010-11 | 20110307 | CHINA P RP | 73041910 | PLAIN END SEAMLESS PIPES 3-1/2 OD[186.774 MTS=9770.66 MTRS (OR)1005 PCS] | 406.26 | 45,372 | 1,84,32,931 | PUC |
| 2010-11 | 20110303 | CHINA P RP | 73049000 | CARBON STEEL SEAMLESS PIPES | 321.00 | 39,971 | 1,28,30,824 | PUC |
| 2010-11 | 20110323 | CHINA P RP | 73043911 | SEAMLESS STEEL TUBE OR RELEVANT GRADE:34 CRM04 (SEAMLESS STEEL CYLINDER PIPE) S | 303.44 | 58,973 | 1,78,94,666 | PUC |

**Import Data from DGCIS [All Countries PUC]
Apr 2009 to Jun 2012**

| Year | Date | Country | ITC-HS | Item-Des | Quantity (MT) | Price (Rs./MT) | Value (Rs) | PUC/ NPUC |
|---------|----------|-------------|----------|---|---------------|----------------|-------------|--------------|
| 2010-11 | 20110308 | CHINA P RP | 73043119 | TUBES.SFK0008P-001-O SA210 GR.A1.51MM X 6.35MMX10-11.8 MTR (193 NOS -2138.12 MT | 300.00 | 51,771 | 1,55,31,387 | PUC |
| 2010-11 | 20110303 | CHINA P RP | 73043119 | SEAMLESS CARBON STEEL & ALLOY STEELPIES.OD127.00X12.70XR/L OF 6-6.10 MTR.GRADE | 290.00 | 52,572 | 1,52,45,878 | PUC |
| 2010-11 | 20110317 | CHINA P RP | 73049000 | CARBON STEEL SEAMLESS PIPE ASTM A 106 GR.B,SIZE OD 5 INCH XWT SCH80 X LENGTH 5- | 286.00 | 38,949 | 1,11,39,352 | PUC |
| 2010-11 | 20110315 | CHINA P RP | 73049000 | CARBON STEEL SEAMLESS PIPES ACCORDING TO ASTM A106/API 5L/GRADE-B | 276.00 | 33,765 | 93,19,064 | PUC |
| 2010-11 | 20110311 | CHINA P RP | 73043119 | COLD DRAWN SEAMLESS CARBON STEEL TUBES DIN 1629/84 ST 52.4 (SIZE : 44.5 X 5.0X7 | 274.00 | 48,494 | 1,32,87,241 | PUC |
| 2010-11 | 20110322 | CHINA P RP | 73041910 | CARBON STEEL SEMALESS PIPE CONFORMING TO JIS 3454 STPG370 IN LENGHT OF 5 TO 7 | 270.00 | 44,257 | 1,19,49,339 | PUC |
| 2010-11 | 20110305 | CHINA P RP | 73043919 | CARBON STEEL SEAMLESS PIPES TO ASTM A-179 (OD 33.40MM, THK 3.40MM, LENGTH OVER | 264.49 | 44,786 | 1,18,45,449 | PUC |
| 2010-11 | 20110303 | BELGIUM | 73042390 | SECONDAERY CARBON STEEL SEAMLESS TUBES | 240.00 | 23,394 | 56,14,656 | PUC |
| 2010-11 | 20110317 | QATAR | 73049000 | SECONDARY DEFECTIVE CARBON STEEL SEAMLESS PIPES | 233.00 | 28,653 | 66,76,092 | PUC |
| 2010-11 | 20110318 | BELARUS | 73049000 | MILD STEEL LOW CARBON SEAMLESS PIPES MIXED SECOND CHOICE | 231.00 | 22,917 | 52,93,715 | PUC |
| 2010-11 | 20110310 | ITALY | 73049000 | CARBON STEEL SECONDARY DEFECTIVE SEAMLESS PIPE | 230.00 | 28,388 | 65,29,190 | PUC |
| 2010-11 | 20110315 | CHINA P RP | 73042990 | TUBING 2 7/8 OD, 6.5 PPF, L-80 EUE(SUPPLY OF EUE PRODUCTION TUBINGS AND PUP JOI | 229.35 | 83,983 | 1,92,61,971 | PUC |
| 2010-11 | 20110310 | ITALY | 73049000 | CARBON STEEL SECONDARY DEFECTIVE SEAMLESS PIPE | 224.00 | 28,455 | 63,73,834 | PUC |
| 2010-11 | 20110321 | CHINA P RP | 73041910 | CARBON STEEL SEAMLESS PIPE CONFORMING TO JIS 3454 STPG370 IN LENGHT OF 5 TO 7 M | 224.00 | 44,279 | 99,18,423 | PUC |
| 2010-11 | 20110307 | CHINA P RP | 73041910 | PLAIN END SEAMLESS PIPES 5-7/8 OD[222.554 MTS=5875.10 MTRS [OR]466 PCS] | 222.55 | 52,236 | 1,16,25,130 | PUC |
| 2010-11 | 20110308 | CHINA P RP | 73042390 | SEAMLESS STEEL EUE TUBINGS (TUBING 2 7/8 OD, 6.5 P PF,L-80EUE) 2508 PCS | 221.06 | 83,921 | 1,85,51,538 | PUC |
| 2010-11 | 20110321 | CHINA P RP | 73041910 | CARBON STEEL SEAMLESS PIPE CONFORMING TO JIS 3454 STPG370 IN LENGTH OF 5 TO 7 M | 221.00 | 44,273 | 97,84,402 | PUC |
| 2010-11 | 20110307 | CHINA P RP | 73049000 | SEAMLESS SQUARE STEEL PIPES 200MT (SIZE 135X135*10) (PART FOR TOWER CRANE) | 200.00 | 39,529 | 79,05,776 | PUC |
| 2010-11 | 20110302 | ITALY | 73049000 | CARBON STEEL SECONDARY DEFECTIVE SEAMLESS PIPE | 193.00 | 23,853 | 46,03,714 | PUC |
| 2010-11 | 20110322 | CHINA P RP | 73043911 | HOT FINISHED SEAMLESS TUBES (GB 18248-2008 37MN) SIZE: 139.7MM X 4.5 MM X 5720M | 186.84 | 49,601 | 92,67,261 | PUC |
| 2010-11 | 20110305 | CHINA P RP | 73043119 | CDS MEDIUM CARBON STEEL TUBE CONF TO SPEC SA-201 GRADE A1 (SIZE : 44.5 MM X 4.5 | 182.61 | 51,613 | 94,25,294 | PUC |
| 2010-11 | 20110304 | CHINA P RP | 73043119 | CARBON STEEL SEAMLESS TUBEASME SA210 GR.A1 (63.5 X 6.35 X 8060MM) | 181.00 | 47,958 | 86,80,365 | PUC |
| 2010-11 | 20110321 | CHINA P RP | 73049000 | CARBON STEEL SEAMLESS PIPE ASTM A 106 GR B SIZE 8 X SCH160/23 MM THK X 5-6.5M | 177.00 | 36,185 | 64,04,692 | PUC |
| 2010-11 | 20110308 | GERMANY | 73049000 | CARBON STEEL SECONDARY DEFECTIVE SEAMLESS PIPE | 171.00 | 27,636 | 47,25,720 | PUC |
| 2010-11 | 20110322 | CHINA P RP | 73049000 | CARBON STEEL SEAMLESS TUBES ASTM A106 GR.B SIZE 1/2 X SCH160/4.78MM THK X 5-6. | 169.00 | 38,047 | 64,29,893 | PUC |
| 2010-11 | 20110328 | CHINA P RP | 73049000 | CARBON STEEL SEAMLESS TUBES ASTM A106 GR.B SIZE 1/2 X SCH160/4.78MM THK X 5-6. | 169.00 | 38,047 | 64,29,893 | PUC |
| 2010-11 | 20110322 | CHINA P RP | 73045110 | BEARING QUALITY STEEL TUBE SAE-52100 (BB 1063 OR) SIZE:62.26 X 53.05MM | 167.50 | 70,303 | 1,17,75,640 | PUC |
| 2010-11 | 20110315 | SINGAPORE | 73042990 | TUBING 3 1/2 , 9.3 PPF, P-110, EUE GRADE(SUPPLY OF EUE PRODUCTION TUBINGS AND P | 165.40 | 87,707 | 1,45,06,385 | PUC |
| 2010-11 | 20110310 | U ARAB EMTS | 73049000 | SECONDARY SECOND CARBON STEEL SEAMLESS / WELDED PIPES (MIXED LOT.) | 158.00 | 16,432 | 25,96,268 | PUC |
| 2010-11 | 20110303 | UKRAINE | 73049000 | SECONDARY CARBON STEEL SEAMLESS PIPES (MIXED SIZES) (OD 33.4-168 X LENGTH UP | 139.00 | 22,202 | 30,86,113 | PUC |
| 2010-11 | 20110224 | THAILAND | 73049000 | SECONDARY / DEFECTIVE MILD STEEL PIPE | 138.00 | 22,602 | 31,19,047 | PUC |
| 2010-11 | 20110324 | U ARAB EMTS | 73049000 | SECONDARY SECOND CARBON STEEL SEAMLESS / WELDED PIPES (MIXED LOT.) | 138.00 | 16,459 | 22,71,282 | PUC |
| 2010-11 | 20110302 | ITALY | 73049000 | CARBON STEEL SECONDARY DEFECTIVE SEAMLESS PIPE | 136.00 | 23,854 | 32,44,142 | PUC |
| 2010-11 | 20110311 | CHINA P RP | 73049000 | PRIME CARBON STEEL SEAMLESS PIPES (ASTM A 106 GR B)(323.9 X 8.38,12.5 X 5000-7 | 135.00 | 41,625 | 56,19,440 | PUC |
| 2010-11 | 20110226 | U ARAB EMTS | 73049000 | M S PIPE | 134.00 | 30,120 | 40,36,095 | PUC |
| 2010-11 | 20110303 | OMAN | 73069090 | SECONDARY & DEFECTIVE M.S.PIPES PSI NO.0049265 DT 9/02/11 GEO CHEM MIDDLE EAST | 133.00 | 20,751 | 27,59,884 | PUC |
| 2010-11 | 20110303 | OMAN | 73069090 | SECONDARY & DEFECTIVE M.S.PIPES PSI NO. 0049351 DT 7/02/11 GEO CHEM MIDDLE EAST | 133.00 | 20,728 | 27,56,765 | PUC |
| 2010-11 | 20110324 | CHINA P RP | 73041910 | M.S. STEEL TUBE (100MM*120MM*340MM) (300 PCS @USD14.56/PC) | 131.84 | 11,154 | 14,70,577 | PUC |
| 2010-11 | 20110321 | U ARAB EMTS | 73049000 | SECONDARY SECOND CARBON STEEL SEAMLESS/ WELDED PIPES (MIXED LOT) | 130.00 | 16,516 | 21,47,039 | PUC |
| 2010-11 | 20110316 | GERMANY | 73049000 | SEAMLESS PIPES SECOND CHOICE MIX | 127.00 | 22,326 | 28,35,422 | PUC |
| 2010-11 | 20110304 | CHINA P RP | 73049000 | SEAMLESS CARBON STEEL PIPE ASTM A106 / API5L /A53 GR. B SIZEOD 6 INCH X WT SCH8 | 127.00 | 41,664 | 52,91,332 | PUC |

**Import Data from DGCIS [All Countries PUC]
Apr 2009 to Jun 2012**

| Year | Date | Country | ITC-HS | Item-Des | Quantity (MT) | Price (Rs./MT) | Value (Rs) | PUC/ NPUC |
|---------|----------|-------------|----------|---|---------------|----------------|-------------|--------------|
| 2010-11 | 20110311 | SAUDI ARAB | 73049000 | SECONDARY DEFECTIVE CARBON STEEL SEAMLESS PIPE | 126.00 | 18,737 | 23,60,862 | PUC |
| 2010-11 | 20110330 | U ARAB EMTS | 73041990 | SECONDARY/ DEFECTIVE CARBON STEEL SEAMLESS PIPE | 125.00 | 27,194 | 33,99,251 | PUC |
| 2010-11 | 20110315 | CHINA P RP | 73045110 | BEARING QUALITY STEEL TUBE SAE-52100 (BB 1063 OR) SIZE: 62.26X53.05MM | 124.20 | 69,667 | 86,52,863 | PUC |
| 2010-11 | 20110330 | CHINA P RP | 73043119 | COLD DRAWN SEAMLESS TUBES ASTM A210/ASME SA 210 GRC WITH IBR B V SIZE:32*4*8660 | 123.00 | 50,557 | 62,18,535 | PUC |
| 2010-11 | 20110308 | CHINA P RP | 73045110 | BEARING QUALITY STEEL TUBE GRADE SAE-52100 (BB 1063 OR)SIZE:62.26 X 53.05 MM | 122.83 | 69,378 | 85,21,954 | PUC |
| 2010-11 | 20110305 | CHINA P RP | 73041990 | SEAMLESS(CARBON) PIPE ASTM A 106 GR B (377 MMX 11 MM) | 121.00 | 43,893 | 53,11,073 | PUC |
| 2010-11 | 20110321 | U ARAB EMTS | 73049000 | SECONDARY SECOND CARBON STEEL SEAMLESS/ WELDED PIPES (MIXED LOT) | 117.00 | 16,431 | 19,22,391 | PUC |
| 2010-11 | 20110325 | CHINA P RP | 73041910 | SEAMLESS PIPE (140 X 18 X 4860 MM) (12 BUNDLES) (84 PCS) | 115.00 | 44,809 | 51,53,010 | PUC |
| 2010-11 | 20110318 | CHINA P RP | 73049000 | CARBON STEEL SEAMLESS PIPES | 112.00 | 47,342 | 53,02,274 | PUC |
| 2010-11 | 20110324 | U ARAB EMTS | 73049000 | SECONDARY SECOND CARBON STEEL SEAMLESS/ WELDED PIPES (MIXED LOT) | 110.00 | 16,496 | 18,14,522 | PUC |
| 2010-11 | 20110322 | CHINA P RP | 73043911 | HOT FINISHED SEAMLESS TUBES (GB 18248-2008 37MN) SIZE: 139.7MM X 4.5 MM X 5720M | 108.21 | 49,601 | 53,67,429 | PUC |
| 2010-11 | 20110308 | U ARAB EMTS | 73049000 | SECONDARY SECOND CARBON STEEL SEAMLESS / WELDED PIPES (MIXED LOT.) | 108.00 | 16,475 | 17,79,347 | PUC |
| 2010-11 | 20110309 | ROMANIA | 98010013 | SEAMLESS PIPES(C/S)(S37/28/10)TOSPEC SA106 | 106.00 | 1,63,050 | 1,72,83,322 | PUC |
| 2010-11 | 20110304 | CHINA P RP | 73049000 | SEAMLESS STEEL PIPE - R2868 133MM X 4MM WT PIPE | 106.00 | 51,875 | 54,98,734 | PUC |
| 2010-11 | 20110324 | SWEDEN | 73049000 | SECONDARY CARBON SEAMLESS PIPE | 105.00 | 22,695 | 23,82,986 | PUC |
| 2010-11 | 20110305 | U ARAB EMTS | 73049000 | SECONDARY SECOND CARBON STEEL SEAMLESS / WELDED PIPES (MIXED LOT.) | 105.00 | 16,555 | 17,38,283 | PUC |
| 2010-11 | 20110303 | OMAN | 73069090 | SECONDARY & DEFECTIVE M.S.PIPES PSI NO.0049266 DT 9/02/11 OF GEO CHEM DUBAI U | 104.00 | 21,164 | 22,01,060 | PUC |
| 2010-11 | 20110305 | U ARAB EMTS | 73049000 | SECONDARY SECOND CARBON STEEL SEAMLESS/WELDED PIPES (MIXED LOT.) | 104.00 | 16,544 | 17,20,564 | PUC |
| 2010-11 | 20110305 | U ARAB EMTS | 73049000 | SECONDARY SECOND CARBON STEEL SEAMLESS/WELDED PIPES (MIXED LOT.) | 104.00 | 16,430 | 17,08,768 | PUC |
| 2010-11 | 20110318 | CHINA P RP | 73043119 | CARBON STEEL SEAMLESS PIPE ASTM A 106 GR.B/API 5L GR.B (4 X SCH40 X 5.8MTR) | 103.78 | 41,446 | 43,01,099 | PUC |
| 2010-11 | 20110304 | CHINA P RP | 73041110 | CARBON STEEL SEAMLESS MOTHER PIPES (HOT FINISH) ASTM A 106/API 5L GR.B - 168.3 | 103.00 | 42,160 | 43,42,466 | PUC |
| 2010-11 | 20110305 | SAUDI ARAB | 73049000 | SECONDARY SECOND CARBON STEEL SEAMLESS/WELDED PIPES MIXED THICKNESS MIXED LOT. | 101.00 | 17,227 | 17,39,898 | PUC |
| 2010-11 | 20110323 | CHINA P RP | 73049000 | CARBON STEEL SEAMLESS PIPES AS PER API 5L/ASTM A106 GR.B | 100.00 | 38,166 | 38,16,565 | PUC |
| 2010-11 | 20110322 | CHINA P RP | 73049000 | CARBON STEEL COLD DRAWN SEAMLESS STEEL PIPES ASTM A 106 GR.B | 100.00 | 32,453 | 32,45,267 | PUC |
| 2010-11 | 20110308 | CHINA P RP | 73049000 | SEAMLESS STEEL PIPES AS PER ASTM A106GRB/API 5L/A53 GRADE B (OD-219.3MM)(WT22. | 98.00 | 44,635 | 43,74,263 | PUC |
| 2010-11 | 20110325 | BELGIUM | 73049000 | SECONDARY CARBON SEAMLESS PIPE | 96.00 | 27,249 | 26,15,896 | PUC |
| 2010-11 | 20110310 | BELGIUM | 73049000 | SECONDARY CARBON SEAMLESS PIPE | 96.00 | 27,204 | 26,11,578 | PUC |
| 2010-11 | 20110325 | CHINA P RP | 73049000 | SEAMLESS STEEL TUBE FOR CYLINDERS 34CRMO4 | 93.00 | 66,758 | 62,08,528 | PUC |
| 2010-11 | 20110303 | U S A | 73049000 | MS SECONDARY PIPES RUSTED | 87.00 | 18,573 | 16,15,831 | PUC |
| 2010-11 | 20110303 | CHINA P RP | 73043119 | SEAMLESS PIPES ASTM A 106 GR.B/API 5L GR.B. IBR WITH BV BEWWELD END VARNISH QUO | 85.00 | 44,357 | 37,70,387 | PUC |
| 2010-11 | 20110310 | U ARAB EMTS | 73049000 | SECONDARY SECOND CARBON STEEL SEAMLESS/ WELDED PIPES (MIXED LOT) | 80.00 | 16,542 | 13,23,342 | PUC |
| 2010-11 | 20110305 | GERMANY | 73049000 | CARBON STEEL SECOND CHOICE SEAMLESS PIPES | 79.00 | 23,628 | 18,66,592 | PUC |
| 2010-11 | 20110322 | CHINA P RP | 73043919 | CARBON STEEL SEAMLESS PIPES ASTM A 106B/A53B/API 5LB | 75.00 | 33,296 | 24,97,183 | PUC |
| 2010-11 | 20110308 | U ARAB EMTS | 73049000 | SECONDARY SECOND CARBON STEEL SEAMLESS / WELDED PIPES (MIXED LOT.) | 73.00 | 16,535 | 12,07,056 | PUC |
| 2010-11 | 20110322 | CHINA P RP | 73041990 | SEAMLESS (CARBON STEEL)PIPE API 5L ASTM A 106 GR B 219.1MM X 12.7 MM | 73.00 | 42,152 | 30,77,132 | PUC |
| 2010-11 | 20110304 | FRANCE | 73045110 | HOT FINISHED SEAMLESS CARBON STEEL TUBES (TO SPEC SA 210)OD 50.8MM X MIN. WT 7. | 71.00 | 69,114 | 49,07,094 | PUC |
| 2010-11 | 20110304 | U S A | 73042390 | DRILLPIPE, 6-5/8 IN OD X 0.522 IN WALL GRADE S-135 RANGE 3 34.08 LB/FT 6-5/8 IN | 70.00 | 82,310 | 57,61,691 | PUC |
| 2010-11 | 20110304 | U S A | 73042390 | DRILLPIPE, 6-5/8 IN OD X 0.522 IN WALL GRADE S-135 RANGE 3 34.08 LB/FT 6-5/8 IN | 70.00 | 78,713 | 55,09,898 | PUC |
| 2010-11 | 20110318 | U S A | 73069090 | SECONDARY AND DEFECTIVE M.S. PIPES | 70.00 | 23,074 | 16,15,184 | PUC |
| 2010-11 | 20110307 | CHINA P RP | 73041990 | SEAMLESS STEEL TUBING COUPLING STOCK API 5CT : 115.5MM X 15.25MM J55 | 69.00 | 41,877 | 28,89,490 | PUC |
| 2010-11 | 20110312 | CHINA P RP | 73049000 | CARBON STEEL SEAMLESS PIPE ASTM A192 SIZE 76.1 X 4.5 X 11000 MM | 68.43 | 31,050 | 21,24,855 | PUC |

**Import Data from DGCIS [All Countries PUC]
Apr 2009 to Jun 2012**

| Year | Date | Country | ITC-HS | Item-Des | Quantity (MT) | Price (Rs./MT) | Value (Rs) | PUC/ NPUC |
|---------|----------|-------------|----------|---|---------------|----------------|------------|--------------|
| 2010-11 | 20110311 | U ARAB EMTS | 73049000 | MS DEFECTIVE PIPES. | 67.00 | 23,801 | 15,94,666 | PUC |
| 2010-11 | 20110309 | FRANCE | 73045910 | 7393.222KG BEARING STEEL TUBE FOR MANUFACTURING OF BEARING OR 6204OR- 47.70 X 5 | 66.54 | 68,391 | 45,50,658 | PUC |
| 2010-11 | 20110318 | CHINA P RP | 73041910 | PLAIN END SEAMLESS PIPES 5 INCH OD { 91.388 MTS = 2436.30 METERS (OR) 250 PCS} | 65.06 | 73,368 | 47,73,661 | PUC |
| 2010-11 | 20110311 | U S A | 73049000 | CARBON STEEL SECONDARY DEFECTIVE SEAMLESS PIPE | 65.00 | 27,611 | 17,94,695 | PUC |
| 2010-11 | 20110307 | CHINA P RP | 73045910 | CARBON STEEL SEAMLESS TUBES GR. SA210M-A1 SIZE 50.8 OD X 4.06 WT X 9200 MM LG (| 62.04 | 54,038 | 33,52,260 | PUC |
| 2010-11 | 20110312 | CHINA P RP | 73043919 | SEAMLESS CARBON STEEL PIPE(127X5X5000-5800MM) | 60.00 | 50,665 | 30,39,927 | PUC |
| 2010-11 | 20110307 | CHINA P RP | 73043119 | HOT FINISHED CARBON STEEL SEAMLESS PIPES GR. ASME SA106 GR.B SIZE(MM): 114.3 X | 59.67 | 35,661 | 21,27,748 | PUC |
| 2010-11 | 20110322 | CHINA P RP | 73045110 | COLD DRAWN SEAMLESS CARBON STEEL TUBES ASTM A 519 GRADE 37MN5 (SIZE: 43.75 X 6. | 59.00 | 53,884 | 31,79,182 | PUC |
| 2010-11 | 20110305 | CHINA P RP | 73043139 | HYDRAULIC CYLINDER TUBE (SIZE: 210 X 190 MM) | 56.28 | 18,845 | 10,60,678 | PUC |
| 2010-11 | 20110303 | U S A | 73049000 | SECONDARY SECOND CARBON STEEL SEAMLESS/ WELDED PIPES, MIXED THICKNESS MIXED LOT | 56.00 | 24,294 | 13,60,444 | PUC |
| 2010-11 | 20110310 | U ARAB EMTS | 73049000 | SECONDARY SECOND CARBON STEEL SEAMLESS / WELDED PIPES (MIXED LOT) | 55.00 | 16,499 | 9,07,466 | PUC |
| 2010-11 | 20110307 | CHINA P RP | 73045910 | CARBON STEEL SEAMLESS TUBES GR. SA210M-A1 SIZE 38.1 OD X 3.66 WT X 11000 MM LG | 53.44 | 56,061 | 29,95,791 | PUC |
| 2010-11 | 20110318 | U K | 73049000 | SECONDARY SECOND CHOICE CARBON STEEL SEAMLESS/WELDED PIPES | 53.00 | 20,588 | 10,91,144 | PUC |
| 2010-11 | 20110308 | CHINA P RP | 73042390 | SEAMLESS STEEL EUE TUBINGS (TUBING 3-1/2 9.3 PPF, N-80, EUE) 417 PCS | 52.15 | 86,072 | 44,88,658 | PUC |
| 2010-11 | 20110323 | U ARAB EMTS | 73042390 | SECONDARY/ DEFECTIVE CARBON STEEL SEAMLESS PIPE | 52.00 | 27,888 | 14,50,199 | PUC |
| 2010-11 | 20110310 | U ARAB EMTS | 73049000 | CARBON STEEL SECONDARY SEAMLESS PIPES MIX LOT | 52.00 | 27,471 | 14,28,500 | PUC |
| 2010-11 | 20110316 | SAUDI ARAB | 73049000 | SECONDARY SECOND CARBON STEEL SEAMLESS/ WELDED PIPES MIXED THICKNESS MIXED LOT. | 52.00 | 17,261 | 8,97,573 | PUC |
| 2010-11 | 20110321 | CHINA P RP | 73049000 | CARBON STEEL SEAMLESS PIPE ASTM A 106 GR B / API 5L GR B SIZE 2-1/2 INCH X SCH | 51.66 | 41,130 | 21,24,735 | PUC |
| 2010-11 | 20110307 | CHINA P RP | 73043119 | NON ALLOY STEEL SEAMLESS PIPES API 5L GRADE B 219.1MMX10.31MM | 51.00 | 46,977 | 23,95,826 | PUC |
| 2010-11 | 20110307 | CHINA P RP | 73043119 | NON ALLOY STEEL SEAMLESS PIPES API 5L GRADE B 88.9MMX5.49MM | 51.00 | 44,196 | 22,54,021 | PUC |
| 2010-11 | 20110304 | U K | 73049000 | CARBON STEEL SECONDARY PRECISIONS PIPES | 50.00 | 28,794 | 14,39,708 | PUC |
| 2010-11 | 20110303 | SAUDI ARAB | 73049000 | SECONDARY SECOND CARBON STEEL SEAMLESS/WELDED PIPES MIXED THICKNESS MIXED LOT. | 50.00 | 17,134 | 8,56,722 | PUC |
| 2010-11 | 20110324 | CHINA P RP | 73049000 | CARBON STEEL SEAMLESS PIPES | 50.00 | 43,552 | 21,77,584 | PUC |
| 2010-11 | 20110324 | CHINA P RP | 73049000 | CARBON STEEL SEAMLESS PIPE API 5L / ASTM A 106 SIZE OD 88.9MM X WT 5.49 MM X LE | 50.00 | 41,103 | 20,55,141 | PUC |
| 2010-11 | 20110322 | CHINA P RP | 73049000 | CARBON STEEL SEAMLESS PIPES | 50.00 | 33,902 | 16,95,086 | PUC |
| 2010-11 | 20110304 | CHINA P RP | 73049000 | CARBON STEEL SEAMLESS PIPES AS PER API 5L GR.B/A106 | 50.00 | 33,768 | 16,88,388 | PUC |
| 2010-11 | 20110322 | CHINA P RP | 73049000 | CARBON STEEL SEAMLESS PIPES | 50.00 | 7 | 333 | PUC |
| 2010-11 | 20110303 | SAUDI ARAB | 73049000 | SECONDARY SECOND CARBON STEEL SEAMLESS / WELDED PIPES MIXEDTHICKNESS MIXED LOT | 49.00 | 17,414 | 8,53,303 | PUC |
| 2010-11 | 20110303 | SAUDI ARAB | 73049000 | SECONDARY SECOND CARBON STEEL SEAMLESS / WELDED PIPES MIXEDTHICKNESS MIXED LOT | 49.00 | 17,310 | 8,48,173 | PUC |
| 2010-11 | 20110308 | U ARAB EMTS | 73049000 | SECONDARY SECOND CARBON STEEL SEAMLESS / WELDED PIPES (MIXED LOT.) | 49.00 | 16,679 | 8,17,249 | PUC |
| 2010-11 | 20110307 | CHINA P RP | 73049000 | CARBON STEEL SEAMLESS PIPES AS PER ASTM A106 GR.B/API 5L/A53GR.B | 48.00 | 42,743 | 20,51,664 | PUC |
| 2010-11 | 20110318 | GERMANY | 73049000 | SECONDARY SECOND CHOICE CARBON STEEL SEAMLESS PIPES | 47.00 | 23,251 | 10,92,820 | PUC |
| 2010-11 | 20110307 | JAPAN | 73049000 | FABRICATED PIPE ASSEMBLY.DIA METER 1524MM.63 .50 X 3000 MM(GOODS WILL RE EXPORT | 46.00 | 65,245 | 30,01,256 | PUC |
| 2010-11 | 20110302 | QATAR | 73049000 | SECONDARY CARBON STEEL SEAMLESS PIPES | 46.00 | 29,380 | 13,51,474 | PUC |
| 2010-11 | 20110321 | CHINA P RP | 73049000 | CARBON STEEL SEAMLESS PIPES L(10-12M) ASTM106GR. B/API 5L GRB/A53 GR. B | 46.00 | 34,357 | 15,80,438 | PUC |
| 2010-11 | 20110316 | ROMANIA | 98010013 | SEAMLESS PIPES(C/S)(S37/28/10)TO SPEC.SA106 | 45.00 | 1,44,558 | 65,05,111 | PUC |
| 2010-11 | 20110328 | CHINA P RP | 73041110 | CS SEAMLESS TUBE SA-179 - 25.4 OD X 2.11 WT X 12192 LG | 45.00 | 59,719 | 26,87,358 | PUC |
| 2010-11 | 20110303 | CHINA P RP | 73049000 | STEEL TUBESO.D. 19.7 X 14.5 X 2.60 MM | 44.00 | 92,929 | 40,88,870 | PUC |
| 2010-11 | 20110324 | U ARAB EMTS | 73049000 | SECONDARY SECOND CHOICE CARBON STEEL SEAMLESS/WELDED PIPES | 43.00 | 21,135 | 9,08,824 | PUC |
| 2010-11 | 20110322 | CHINA P RP | 73069090 | SEAMLESS STEEL TUBES - [BEARING QUALITY]- 6301R [SIZE 20.4 X 4.8 MM] - GCR1 | 43.00 | 77,357 | 33,26,354 | PUC |
| 2010-11 | 20110324 | CHINA P RP | 73069090 | SEAMLESS STEEL TUBES - [BEARING QUALITY]- 6301R [SIZE 20.4 X 4.8 MM] - GCR1 | 43.00 | 76,270 | 32,79,595 | PUC |

**Import Data from DGCIS [All Countries PUC]
Apr 2009 to Jun 2012**

| Year | Date | Country | ITC-HS | Item-Des | Quantity (MT) | Price (Rs./MT) | Value (Rs) | PUC/ NPUC |
|---------|----------|-------------|----------|---|---------------|----------------|------------|--------------|
| 2010-11 | 20110304 | CHINA P RP | 73049000 | CARBON STEEL SEAMLESS PIPES AS PER ASTM A106 GR.B 20 X SCHXS | 43.00 | 42,543 | 18,29,334 | PUC |
| 2010-11 | 20110302 | U ARAB EMTS | 73049000 | SECONDARY SECOND CHOICE CARBON STEEL SEAMLESS PIPE,MIXED SIZE & MIXED LOT | 42.00 | 27,396 | 11,50,639 | PUC |
| 2010-11 | 20110319 | JAPAN | 73049000 | BEARING QUALITY STEEL TUBES SAE52100 OD39.15MM X WT7.90MM | 41.40 | 97,309 | 40,28,902 | PUC |
| 2010-11 | 20110311 | U ARAB EMTS | 73049000 | MS DEFECTIVE PIPES. | 41.00 | 24,166 | 9,90,805 | PUC |
| 2010-11 | 20110314 | CHINA P RP | 73049000 | PRIME CARBON STEEL SEAMLESS PIPES TO ASTM A 106 GRADE B | 41.00 | 34,388 | 14,09,928 | PUC |
| 2010-11 | 20110330 | CHINA P RP | 73049000 | CARBON STEEL SEAMLESS PIPE A106 GRADE B | 41.00 | 32,395 | 13,28,197 | PUC |
| 2010-11 | 20110223 | CHINA P RP | 73043919 | CARBON STEEL SEAMLESS TUBES DIN-1629/84 ST 30AL (OD 30.00XWT3.50XLG 8000-10000M | 40.28 | 56,059 | 22,57,776 | PUC |
| 2010-11 | 20110309 | UKRAINE | 73041190 | SEAMLESS HOT ROLLED STEEL PIPES (DIMENSIONS D S MM 219X6.0,273X7.0,219.1X8.2) | 40.00 | 42,965 | 17,18,595 | PUC |
| 2010-11 | 20110322 | GERMANY | 73045910 | SEAMLESS MEDIUM-CARBON STEEL TUBES ASME SA-210M-HF GRADE A-1 76.200 X 4.200 MM | 39.73 | 78,424 | 31,16,025 | PUC |
| 2010-11 | 20110322 | CHINA P RP | 73069090 | CUT BLANK RINGS - 6202 OR CUT BLANKS OD35.55MM X ID28.25MM (TUBES MADE FROM SAE | 38.89 | 1,17,357 | 45,63,878 | PUC |
| 2010-11 | 20110325 | CHINA P RP | 73043929 | CDS TUBES SIZE.113*6.75(COLD DRAWN STEEL TUPES)(FOR THE MFG.OF.HYDRALICS CYLIND | 36.00 | 57,438 | 20,67,766 | PUC |
| 2010-11 | 20110228 | CHINA P RP | 73045910 | BEARING SEAMLESS STEEL TUBE GCR15 43.04X34.10MM | 35.00 | 69,919 | 24,47,169 | PUC |
| 2010-11 | 20110304 | ITALY | 73043911 | COLD DRAWN SEAMLESS STEEL TUBES126,00 X 8,00 X 1,00 E355 | 34.16 | 51,630 | 17,63,899 | PUC |
| 2010-11 | 20110321 | CHINA P RP | 73045910 | COLD DRAWN ALLOY STEEL SEAMLESS STEEL TUBES GR.2005-B-5614-0(BSEN 10216-2 16MO | 34.00 | 68,497 | 23,28,885 | PUC |
| 2010-11 | 20110223 | CHINA P RP | 73043919 | CARBON STEEL SEAMLESS TUBES DIN-1629/84 ST 30AL (OD 25.40XWT2.80XLG 8000-11800M | 33.97 | 57,711 | 19,60,392 | PUC |
| 2010-11 | 20110303 | JAPAN | 73049000 | ALLOY STEEL SEAMLESS STEEL TUBES O.D.47.55MMXW/TH6.35MM | 33.52 | 1,67,179 | 56,03,262 | PUC |
| 2010-11 | 20110325 | ITALY | 73041910 | CROSSOVER PIN, LENGTH:18 3-1/2 OD | 33.00 | 50,143 | 16,54,706 | PUC |
| 2010-11 | 20110302 | CHINA P RP | 73049000 | CARBON STEEL SEAMLESS PIPES ASTM A 106 GRADE B/API5L PSL1 GR.B/ASTM A53 | 32.00 | 47,389 | 15,16,447 | PUC |
| 2010-11 | 20110325 | CHINA P RP | 73043119 | HONE STEEL TUBE :ST52 TCDH 113X99.5X4440 3.ZHA(FOR THE MFG. OF HYDRAULIC CYLIND | 30.00 | 63,814 | 19,14,423 | PUC |
| 2010-11 | 20110328 | ITALY | 73069090 | SEAMLESS STEEL TUBES FOR HYDRAULIC CYLINDERS (SIZE: 160.80 X **** X 30.40MM) (0 | 29.05 | 55,388 | 16,08,770 | PUC |
| 2010-11 | 20110324 | U ARAB EMTS | 73049000 | MS DEFECTIVE PIPES | 29.00 | 23,960 | 6,94,849 | PUC |
| 2010-11 | 20110315 | SPAIN | 73049000 | OILWELL EQUIPMENT: LINEPIPE, CARBON STEEL 8 SCH 160, ASTM A106 GRADE B, BE, D | 27.62 | 84,709 | 23,39,588 | PUC |
| 2010-11 | 20110326 | CHINA P RP | 73043119 | COLD DRAWN CARBON STEEL SEAMLESS TUBES ASTM A106 GRADE -B | 27.00 | 45,096 | 12,17,585 | PUC |
| 2010-11 | 20110307 | CHINA P RP | 73041190 | CARBON STEEL SEAMLESS PIPE ASTM A 106-GRADE A42.2MMX4MMX5800MM | 27.00 | 34,975 | 9,44,334 | PUC |
| 2010-11 | 20110324 | U ARAB EMTS | 73049000 | MS DEFECTIVE PIPES. | 26.00 | 24,299 | 6,31,778 | PUC |
| 2010-11 | 20110314 | U S A | 73049000 | SECONDARY CARBON STEEL SEAMLESS PIPES (MIXED SIZE) | 26.00 | 22,609 | 5,87,844 | PUC |
| 2010-11 | 20110221 | CHINA P RP | 73041110 | MS SEAMLESS PIPES /TUBES 114.3X18X5-5.8(10.29MTS)/219X12.5X5.58(9.2MTS)/159X10 | 25.49 | 27,570 | 7,02,870 | PUC |
| 2010-11 | 20110307 | ITALY | 73049000 | SECONDARY SEAMLESS CARBON STEEL PIPES | 25.00 | 37,362 | 9,34,038 | PUC |
| 2010-11 | 20110307 | JAPAN | 73049000 | CARBON STEEL SECONDARY DEFECTIVE SEAMLESS PIPES | 25.00 | 23,483 | 5,87,075 | PUC |
| 2010-11 | 20110304 | U ARAB EMTS | 73049000 | SECONDARY SECOND CHOICE CARBON STEEL SEAMLESS/WELDED PIPES | 25.00 | 21,612 | 5,40,290 | PUC |
| 2010-11 | 20110308 | U ARAB EMTS | 73049000 | SECONDARY SECOND CARBON STEEL FITTINGS (MIXED LOT.) | 25.00 | 16,451 | 4,11,266 | PUC |
| 2010-11 | 20110322 | CHINA P RP | 73041990 | SEAMLESS(CARBON STEEL)PIPE AS PER API 5L GR.B/ASTM A 106 GRB OD 168MM WT 14.3MM | 25.00 | 43,558 | 10,88,942 | PUC |
| 2010-11 | 20110309 | CHINA P RP | 73049000 | CARBON STEEL SEAMLESS PIPE ASTM A106 GR.B SIZE OD 5 INCH X WT SCH40 X LENGTH 5- | 25.00 | 38,542 | 9,63,539 | PUC |
| 2010-11 | 20110314 | CHINA P RP | 73049000 | CARBON STEEL SEAMLESS PIPES L(10-12M) ASTM 106 GR B / API 5L GR B / A 53 GR B | 25.00 | 34,290 | 8,57,257 | PUC |
| 2010-11 | 20110223 | CHINA P RP | 73043119 | CARBON STEEL SEAMLESS TUBE AS PER ASTM A106 API 5L GRADE B | 25.00 | 30,262 | 7,56,544 | PUC |
| 2010-11 | 20110305 | CHINA P RP | 73043119 | CARBON STEEL SEAMLESS PIPES (219.1X8.18X5800MM) | 25.00 | 30,168 | 7,54,201 | PUC |
| 2010-11 | 20110321 | JAPAN | 73049000 | SECONDARY SEAMLESS CARBON STEEL PIPES | 24.00 | 37,438 | 8,98,514 | PUC |
| 2010-11 | 20110301 | CHINA P RP | 73041910 | COLD DRAWN SEAMLESS STEE | 24.00 | 52,140 | 12,51,355 | PUC |
| 2010-11 | 20110316 | ITALY | 73043911 | SEAMLESS COLD DRAWN TUBES FOR HYDRAULIC CYLINDERS146.00X10.50MM | 23.83 | 86,602 | 20,63,942 | PUC |
| 2010-11 | 20110314 | CHINA P RP | 73042390 | PUP JOINT -2 7/8 ,L-80,6.5 PPF EUE-8FT | 23.58 | 58,541 | 13,80,632 | PUC |
| 2010-11 | 20110318 | ITALY | 73049000 | SECONDARY SEAMLESS CARBON STEEL PIPES | 23.00 | 37,554 | 8,63,745 | PUC |

**Import Data from DGCIS [All Countries PUC]
Apr 2009 to Jun 2012**

| Year | Date | Country | ITC-HS | Item-Des | Quantity (MT) | Price (Rs./MT) | Value (Rs) | PUC/ NPUC |
|---------|----------|-------------|----------|--|---------------|----------------|-------------|--------------|
| 2010-11 | 20110303 | ITALY | 73049000 | CARBON STEEL SECONDARY DEFECTIVE SEAMLESS PIPE | 23.00 | 25,819 | 5,93,845 | PUC |
| 2010-11 | 20110328 | CHINA P RP | 73041110 | CS SEAMLESS TUBE SA-179 - 25.4 OD X 2.11 WT X 12192 LG | 23.00 | 60,710 | 13,96,340 | PUC |
| 2010-11 | 20110325 | CHINA P RP | 73049000 | CARBON STEEL SEAMLESS TUBES ASTM A106 GR.B SIZE 0.75 INCH XXXS X 5-6M PLAIN END | 23.00 | 49,789 | 11,45,156 | PUC |
| 2010-11 | 20110328 | CHINA P RP | 73049000 | CARBON STEEL SEAMLESS PIPES | 23.00 | 34,710 | 7,98,333 | PUC |
| 2010-11 | 20110311 | CHINA P RP | 73043119 | CARBON STEEL SEAMLESS TUBE AS PER ASTM A106/API 5L GR.B | 23.00 | 29,546 | 6,79,561 | PUC |
| 2010-11 | 20110311 | CHINA P RP | 73043119 | SKIVED AND BURNISHED TUBES(ID-125MM X OD-137MM) | 22.05 | 60,440 | 13,32,520 | PUC |
| 2010-11 | 20110304 | U S A | 73069090 | SECONDARY PIPES SCRAP PSI NO.0000011/U/A/N/100008/0/7 DT 1511.2010 WLSI GROUP A | 22.00 | 25,368 | 5,58,094 | PUC |
| 2010-11 | 20110307 | CHINA P RP | 73045910 | BEARING SEAMLESS STEEL TUBE GCR15 28.2X19.0MM | 22.00 | 70,580 | 15,52,763 | PUC |
| 2010-11 | 20110303 | CHINA P RP | 73049000 | SEAMLESS CARBON STEEL PIPES API 5L/ ASTM A 106 GRADE-B (168.3MM O/D X 7.11MM | 22.00 | 44,436 | 9,77,589 | PUC |
| 2010-11 | 20110328 | U S A | 73069090 | ASTM A519 COLD DRAWN SEAMLESS TUBING SRA (SIZE: 234.9MM OD X 196.81MM ID) | 21.90 | 1,12,589 | 24,65,268 | PUC |
| 2010-11 | 20110317 | ITALY | 98010013 | SEAMLESS CARBON STEEL PIPES(TO SPEC SA 106)(S37/38/2010/GR6) (CIF RS.1579407) | 21.00 | 75,210 | 15,79,407 | PUC |
| 2010-11 | 20110321 | U ARAB EMTS | 73049000 | SECONDARY SECOND CARBON STEEL SEAMLESS/ WELDED PIPES (MIXED LOT) | 21.00 | 16,683 | 3,50,334 | PUC |
| 2010-11 | 20110305 | CHINA P RP | 73049000 | CARBON STEEL SEAMLESS PIPES (API 5L/ASTM A 106 GR.B)(88.9MM X 3.96MM X 5-7) | 21.00 | 40,499 | 8,50,486 | PUC |
| 2010-11 | 20110308 | CHINA P RP | 73049000 | CARBON STEEL SEAMLESS PIPES | 21.00 | 36,925 | 7,75,420 | PUC |
| 2010-11 | 20110311 | ITALY | 73043911 | CS NACE SEAMLESS PIPES-PIPE 26 WT 33 API 5L GR. B PSL 1 SMLS-NACE-PE/BE | 20.99 | 1,99,906 | 41,96,023 | PUC |
| 2010-11 | 20110328 | UNSPECIFIED | 73042390 | 5 OD DRILL PIPES 5 OD/19.5#/S-135/IEU/RH/RANGE 2/API 5DP, TOOL JOINT (QTY | 20.76 | 2,80,770 | 58,28,790 | PUC |
| 2010-11 | 20110317 | KOREA RP | 73042990 | PIPE 4 SCH.160X 5000 L SA53 TYPE E GR. B | 20.50 | 80,304 | 16,46,223 | PUC |
| 2010-11 | 20110307 | CHINA P RP | 73041190 | CARBON STEEL SEAMLESS PIPE ASTM A 106 GRADE A SIZE42.2MMX4MMX5800MM | 20.00 | 38,592 | 7,71,838 | PUC |
| 2010-11 | 20110322 | CHINA P RP | 73069090 | CUT BLANK RINGS - 6203 IR CUT BLANKS OD25.15MM X ID16.25MM (TUBES MADE FROM SAE | 19.54 | 1,10,463 | 21,58,121 | PUC |
| 2010-11 | 20110309 | ROMANIA | 98010013 | SEAMLESS PIPES (C/S)(S37/28/10) | 19.00 | 1,47,034 | 27,93,647 | PUC |
| 2010-11 | 20110309 | ROMANIA | 98010013 | 98010013 S/L CARBON STEELPIPES(TO SPEC SA106)(CIF RS.26 | 19.00 | 1,40,790 | 26,75,010 | PUC |
| 2010-11 | 20110323 | KOREA RP | 73041190 | ASME SA 179 SEAMLESS STEEL TUBE 25.4OD X 2.77WT (MIN) X 3650MML (CAPTIVE CONSU | 14.00 | 1,19,878 | 16,78,289 | PUC |
| 2010-11 | 20110308 | ROMANIA | 98010013 | SEAMLESS CARBON STEEL PIPES TO SPEC SA 106 S37/38/2010 CIF RS.1160875 | 14.00 | 82,920 | 11,60,875 | PUC |
| 2010-11 | 20110311 | U ARAB EMTS | 73049000 | MS DEFECTIVE PIPES. | 14.00 | 24,409 | 3,41,724 | PUC |
| 2010-11 | 20110319 | GERMANY | 73049000 | STEEL TUBES (139.7X30MM) (ASME SA-106 GR B) | 13.83 | 56,520 | 7,81,672 | PUC |
| 2010-11 | 20110315 | JAPAN | 73049000 | SEAMLESS ALLOY STEEL TUBES JIS G3441 SCM415TK 34.00MM OD X 26.00MM ID X 5M | 13.58 | 1,41,693 | 19,23,913 | PUC |
| 2010-11 | 20110308 | JAPAN | 73049000 | SEAMLESS ALLOY STEEL TUBES JIS G3441 SCM415TK 36.70MM OD X 28.10MM ID X 5M | 12.81 | 1,37,864 | 17,66,594 | PUC |
| 2010-11 | 20110307 | CHINA P RP | 73043139 | HOT FINISHED CARBON STEEL SEAMLESS PIPES GR. ASME SA106 GR.B SIZE(MM): 168.3 X | 12.54 | 47,827 | 5,99,612 | PUC |
| 2010-11 | 20110311 | U ARAB EMTS | 73049000 | MS DEFECTIVE PIPES. | 12.00 | 25,744 | 3,08,928 | PUC |
| 2010-11 | 20110315 | BRAZIL | 73049000 | OILWELL EQUIPMENT : LINEPIPE CARBON STEEL 200MM (8) SCH 60 CS SMLS PIPE ASTM A | 11.78 | 83,755 | 9,86,967 | PUC |
| 2010-11 | 20110309 | ROMANIA | 98010013 | SEAMLESS PIPES(C/S)(S37/01/11)TOSPEC SA106 | 11.00 | 68,870 | 7,57,574 | PUC |
| 2010-11 | 20110314 | CHINA P RP | 73042400 | 5 OD,19.5#G105/IEU/RH/R-II/API-5D SEAMLESS STEEL DRILL PIPES WITH FRICTION (OI | 10.97 | 12,48,873 | 1,36,97,698 | PUC |
| 2010-11 | 20110316 | U S A | 73049000 | CARBON STEEL SECONDARY/DEFECTIVE SEAMLESS PIPES | 10.00 | 1,05,850 | 10,58,501 | PUC |
| 2010-11 | 20110301 | CHINA P RP | 73041910 | COLD DRAWN SEAMLESS STEE | 10.00 | 55,571 | 5,55,712 | PUC |
| 2010-11 | 20110323 | CHINA P RP | 73049000 | C.S SEAMLESS PIPE | 9.87 | 53,707 | 5,30,303 | PUC |
| 2010-11 | 20110303 | JAPAN | 73049000 | COLD DRAWAN SEAMLESS TUBE ITEM NO.RGPS026 19.4(+/-0.05)X11.5(+/-0.1)MM GRADE S | 9.82 | 2,79,077 | 27,39,139 | PUC |
| 2010-11 | 20110228 | CHINA P RP | 73043139 | CDS HONED TUBE OF CARBON STEEL SAE 1020 SIZE- 125X110 (USE FOR HYDRAULIC CYL | 9.00 | 85,469 | 7,69,224 | PUC |
| 2010-11 | 20110226 | CHINA P RP | 73045120 | COLD DRAWN READY TO HONE PRECISION TUBE (150X175X5150MM LONG) | 7.74 | 57,828 | 4,47,716 | PUC |
| 2010-11 | 20110309 | UKRAINE | 73041190 | SEAMLESS HOT ROLLED STEEL PIPES (DIMENSIONS D S MM 219X6.0,273X7.0,219.1X8.2) | 7.00 | 43,005 | 3,01,034 | PUC |
| 2010-11 | 20110321 | U ARAB EMTS | 73049000 | SECONDARY SECOND CARBON STEEL SEAMLESS/ WELDED PIPES (MIXED LOT) | 7.00 | 17,252 | 1,20,765 | PUC |
| 2010-11 | 20110228 | CHINA P RP | 73045910 | BEARING SEAMLESS STEEL TUBE GCR15 20.4X10.8MM | 6.00 | 76,654 | 4,59,926 | PUC |

**Import Data from DGCIS [All Countries PUC]
Apr 2009 to Jun 2012**

| Year | Date | Country | ITC-HS | Item-Des | Quantity (MT) | Price (Rs./MT) | Value (Rs) | PUC/ NPUC |
|---------|----------|-------------|----------|---|---------------|----------------|------------|--------------|
| 2010-11 | 20110322 | CHINA P RP | 73049000 | ALLOY STEEL SEAMLESS TUBE 20CR SIZE 20.4*8 (OD X ID)MM | 5.43 | 66,590 | 3,61,317 | PUC |
| 2010-11 | 20110316 | ROMANIA | 98010013 | 98010013 SEAMLESS PIPES(C/S)(S37/39/10)TO SPEC.SA106 | 5.00 | 1,22,779 | 6,13,897 | PUC |
| 2010-11 | 20110309 | ROMANIA | 98010013 | SEAMLESS PIPES(C/S)TOSPEC SA106 | 5.00 | 71,438 | 3,57,192 | PUC |
| 2010-11 | 20110302 | ARGENTINA | 73042990 | CS SEAMLESS PIPES API 5L/A106 GR B / X 42 (QTY 77.30 MTR -UNIT PRICE 133.95 USD | 5.00 | 94,714 | 4,73,193 | PUC |
| 2010-11 | 20110308 | CHINA P RP | 73042390 | PUP JOINT - 2 7/8 , L-80, 6.5 PPF EUE - 6 FT | 4.90 | 40,251 | 1,97,232 | PUC |
| 2010-11 | 20110315 | GERMANY | 73043121 | SEAMLESS COLD DRAWN TUBES (PRECISION STEEL TUBES FOR CYLINDERS) DIN EN 10305-1 | 4.52 | 1,56,381 | 7,06,844 | PUC |
| 2010-11 | 20110315 | CHINA P RP | 73045110 | BEARING QUALITY STEEL TUBE SAE52100 : (SIZE:60.7*7.3) | 4.44 | 63,980 | 2,84,071 | PUC |
| 2010-11 | 20110307 | CHINA P RP | 73045910 | CARBON SEAMLESS STEEL TUBES SA210M GR.A1 38.1 OD X 4.06 WT X 11000MM LG (209 | 4.39 | 51,440 | 2,26,028 | PUC |
| 2010-11 | 20110305 | CHINA P RP | 73043139 | HYDRAULIC CYLINDER TUBE (SIZE: 65 X 55 X 90 MM) | 4.18 | 82,518 | 3,45,053 | PUC |
| 2010-11 | 20110328 | U S A | 73041910 | CARBON STEEL SECONDARY SEAMLESS PIPE | 4.00 | 30,890 | 1,23,559 | PUC |
| 2010-11 | 20110302 | ITALY | 73049000 | CARBON STEEL SECONDARY DEFECTIVE SEAMLESS PIPE | 4.00 | 27,463 | 1,09,850 | PUC |
| 2010-11 | 20110302 | ITALY | 73049000 | CARBON STEEL SECONDARY DEFECTIVE SEAMLESS PIPE | 4.00 | 27,463 | 1,09,850 | PUC |
| 2010-11 | 20110228 | CHINA P RP | 73043139 | CS SEAMLESS TUBE SAE 1020 SIZE 76X63(USE FOR HYDRAULIC CYLINDERS) | 4.00 | 74,758 | 2,99,033 | PUC |
| 2010-11 | 20110307 | CHINA P RP | 73041190 | CARBON STEEL SEAMLESS PIPE ASTM A 106 GRADE A SIZE42.2MMX4MMX3900MM | 4.00 | 36,925 | 1,47,698 | PUC |
| 2010-11 | 20110319 | KOREA RP | 73042990 | PARTS FOR TRANSPORT CARTS MS + ABS COATED SLIDE PIPE [CS2810-I] | 3.75 | 1,12,340 | 4,21,726 | PUC |
| 2010-11 | 20110322 | CHINA P RP | 73045110 | BEARING QUALITY STEEL TUBE : SAE52100 (SIZE: 60.7*7.3) | 3.63 | 61,695 | 2,23,829 | PUC |
| 2010-11 | 20110311 | CHINA P RP | 73049000 | CDS ALLOY STEEL TUBE SIZE:51 OD X 4.88 WT X 5000-6000 LG (600 MTRS) 108 PCS | 3.61 | 97,397 | 3,51,799 | PUC |
| 2010-11 | 20110307 | CHINA P RP | 73045910 | CARBON STEEL SEAMLESS TUBES GR. SA210-A1 SIZE 38.1 OD X 3.66 WT X 11000 MM LG (| 3.28 | 52,565 | 1,72,256 | PUC |
| 2010-11 | 20110319 | TAIWAN | 73042990 | HONED TUBE STKM 13C DIA90MM*105MM | 3.24 | 1,17,209 | 3,79,875 | PUC |
| 2010-11 | 20110305 | U ARAB EMTS | 73049000 | SECONDARY SECOND CARBON STEEL SEAMLESS / WELDED PIPES (MIXED LOT.) | 3.00 | 19,173 | 57,519 | PUC |
| 2010-11 | 20110308 | U ARAB EMTS | 73049000 | SECONDARY SECOND CARBON STEEL SEAMLESS / WELDED PIPES (MIXED LOT.) | 3.00 | 19,173 | 57,519 | PUC |
| 2010-11 | 20110308 | U ARAB EMTS | 73049000 | SECONDARY SECOND CARBON STEEL SEAMLESS / WELDED PIPES (MIXED LOT.) | 3.00 | 19,173 | 57,519 | PUC |
| 2010-11 | 20110305 | U ARAB EMTS | 73049000 | SECONDARY SECOND CARBON STEEL SEAMLESS/WELDED PIPES (MIXED LOT.) | 3.00 | 19,173 | 57,519 | PUC |
| 2010-11 | 20110305 | U ARAB EMTS | 73049000 | SECONDARY SECOND CARBON STEEL SEAMLESS/WELDED PIPES (MIXED LOT.) | 3.00 | 19,168 | 57,503 | PUC |
| 2010-11 | 20110319 | GERMANY | 73049000 | STEEL TUBES (139.7X30MM) (ASME SA-106 GR B) | 2.31 | 56,528 | 1,30,750 | PUC |
| 2010-11 | 20110307 | CHINA P RP | 73045910 | CARBON STEEL SEAMLESS TUBES GR. SA210-A1 SIZE 50.8 OD X 4.06 WT X 10000 MM LG (| 2.09 | 52,560 | 1,10,009 | PUC |
| 2010-11 | 20110328 | JAPAN | 73049000 | SEAMLESS ALLOY STEEL TUBES JIS G3441 SCM415TK 32.80MM OD X 24.60MM ID X 5M | 2.00 | 1,38,836 | 2,77,811 | PUC |
| 2010-11 | 20110308 | ROMANIA | 98010013 | SEAMLESS CARBON STEEL PIPES TO SPEC SA106 S37/01/2011 CIF RS.262924 | 2.00 | 1,31,462 | 2,62,924 | PUC |
| 2010-11 | 20110309 | ROMANIA | 98010013 | 98010013 S/L C/S PIPES(TOSPEC SA106) (CIF RS.124009/-) | 2.00 | 62,004 | 1,24,008 | PUC |
| 2010-11 | 20110303 | SAUDI ARAB | 73049000 | SECONDARY SECOND CARBON STEEL SEAMLESS/WELDED PIPES MIXED THICKNESS MIXED LOT. | 2.00 | 20,494 | 40,987 | PUC |
| 2010-11 | 20110305 | SAUDI ARAB | 73049000 | SECONDARY SECOND CARBON STEEL SEAMLESS/WELDED PIPES MIXED THICKNESS MIXED LOT. | 2.00 | 20,494 | 40,987 | PUC |
| 2010-11 | 20110303 | SAUDI ARAB | 73049000 | SECONDARY SECOND CARBON STEEL SEAMLESS / WELDED PIPES MIXED THICKNESS MIXED LOT | 2.00 | 20,494 | 40,987 | PUC |
| 2010-11 | 20110303 | SAUDI ARAB | 73049000 | SECONDARY SECOND CARBON STEEL SEAMLESS / WELDED PIPES MIXEDTHICKNESS MIXED LOT | 2.00 | 20,494 | 40,987 | PUC |
| 2010-11 | 20110303 | CHINA P RP | 73043119 | SEAMLESS CARBON STEEL & ALLOY STEEL PIPES.OD127.00X20.00XR/L OF 6-6.10 MTR.GRAD | 2.00 | 81,054 | 1,62,108 | PUC |
| 2010-11 | 20110310 | GERMANY | 73045910 | 955 KGS PIPE 63.5 X 8.8 MM OTHER PIPES MADE OF STEEL HAVINGO.D LESS THA 114.3MM | 1.87 | 1,00,758 | 1,88,619 | PUC |
| 2010-11 | 20110304 | UNSPECIFIED | 73042390 | 3-1/2 OD HEAVY WEIGHT DRILL PIPE: NOMINAL DIA 3-1/2 X 2-1/4 ID X 31 LONG | 1.80 | 3,38,275 | 6,08,895 | PUC |
| 2010-11 | 20110323 | FRANCE | 73043911 | CS NACE SEAMLESS PIPES (ASTM A106 B) SIZE:1 1/2 | 1.28 | 1,18,301 | 1,50,952 | PUC |
| 2010-11 | 20110310 | JAPAN | 73042990 | PIPE CS NACE SMLS (QTY 6.00 MTRS - UNIT PRICE 342.56 USD) | 1.09 | 2,26,099 | 2,45,996 | PUC |
| 2010-11 | 20110223 | GERMANY | 73043929 | TUBES (COLD DRAWN SMLS TUBES E355 +SREN 10305/1 READY FOR HONING (MM145X12.5)1 | 1.06 | 2,22,845 | 2,36,740 | PUC |
| 2010-11 | 20110307 | CHINA P RP | 73045910 | CARBON STEEL SEAMLESS TUBES GR. SA210-A1 SIZE 50.8 OD X 4.5 WT X 10000 MM LG (8 | 1.03 | 53,084 | 54,411 | PUC |
| 2010-11 | 20110312 | SINGAPORE | 73049000 | OILWELL EQUIPMENT : SLIP, DRILLPIPE 3-1/2 IN 3-1/2 IN SDML | 1.00 | 1,09,895 | 1,09,895 | PUC |

Import Data from DGCIS [All Countries PUC]

Apr 2009 to Jun 2012

| Year | Date | Country | ITC-HS | Item-Des | Quantity (MT) | Price (Rs./MT) | Value (Rs) | PUC/ NPUC |
|---------|----------|-------------|----------|---|---------------|----------------|------------|--------------|
| 2010-11 | 20110303 | FRANCE | 73043939 | HOT FINISHED SEAMLESS CARBON STEEL PIPES (TO SPEC SA106)(OD 273 MM X WT 23 MM F | 1.00 | 1,08,672 | 1,08,672 | PUC |
| 2010-11 | 20110310 | ITALY | 73049000 | CARBON STEEL SECONDARY DEFECTIVE SEAMLESS PIPE | 1.00 | 37,138 | 37,138 | PUC |
| 2010-11 | 20110310 | ITALY | 73049000 | CARBON STEEL SECONDARY DEFECTIVE SEAMLESS PIPE | 1.00 | 37,138 | 37,138 | PUC |
| 2010-11 | 20110324 | U S A | 73045110 | ROUND TUBE | 1.00 | 30,255 | 30,255 | PUC |
| 2010-11 | 20110307 | JAPAN | 73049000 | CARBON STEEL SECONDARY DEFECTIVE SEAMLESS PIPES | 1.00 | 4,576 | 4,576 | PUC |
| 2010-11 | 20110303 | CHINA P RP | 73043119 | SEAMLESS CARBON STEEL &ALLOY STEEL PIPES.OD 127.00 X 20.00 X R/L OF6-6.10 MTR.G | 1.00 | 81,054 | 81,054 | PUC |
| 2010-11 | 20110319 | CHINA P RP | 73049000 | STEEL TUBES 76.1 X 11.0 MM (ASME SA-106 B) | 0.57 | 56,554 | 31,953 | PUC |
| 2010-11 | 20110330 | AUSTRIA | 73041110 | SEAMLESS PIPE DIA 4 SCHED 120 (OD 114,3 X 11,12MM) HOT ROLLED (GRADE ASTM A GR | 0.52 | 1,37,693 | 70,912 | PUC |
| 2010-11 | 20110311 | SAUDI ARAB | 73049000 | SECONDARY DEFECTIVE CARBON STEEL SEAMLESS PIPE | 0.50 | 25,108 | 12,554 | PUC |
| 2010-11 | 20110318 | GERMANY | 73049000 | SECONDARY SECOND CHOICE CARBON STEEL SEAMLESS PIPES | 0.50 | 22,862 | 11,431 | PUC |
| 2010-11 | 20110316 | GERMANY | 73049000 | SEAMLESS PIPES SECOND CHOICE MIX | 0.50 | 22,228 | 11,114 | PUC |
| 2010-11 | 20110304 | U ARAB EMTS | 73043911 | CONSTRUCTION MATERIALS FOR BUILDING MODULE (PIPE CARBON STEEL SEAMLESS SCH40 A | 0.45 | 2,09,031 | 94,273 | PUC |
| 2010-11 | 20110307 | CHINA P RP | 73045910 | CARBON STEEL SEAMLESS TUBES GR. SA210-A1 SIZE 58.8 OD X 6.35 WT X 6000 MM LG (5 | 0.41 | 53,859 | 22,136 | PUC |
| 2010-11 | 20110321 | KOREA RP | 73041190 | SMLS.C/S HYDRAULIC TUBES SPEC DIN 2391 C.GR.ST37.4 BEN 12X2.0X6M HYDRAULIC TUBE | 0.41 | 2,49,076 | 1,01,623 | PUC |
| 2010-11 | 20110303 | ITALY | 73049000 | CARBON STEEL SECONDARY DEFECTIVE SEAMLESS PIPE | 0.20 | 25,270 | 5,054 | PUC |
| 2010-11 | 20110318 | U S A | 73042390 | 9-5/8 8RD X5-1/2 MALE 2000# MODEL 92 CASING HEAD COMPLETE,PART # 9209-0055-00 | 0.18 | 9,26,956 | 1,66,852 | PUC |
| 2010-11 | 20110307 | CHINA P RP | 73045910 | CARBON STEEL SEAMLESS TUBES GR. SA210-A1 SIZE 50.8 OD X 4.5 WT X 9000 MM LG (27 | 0.15 | 51,303 | 7,798 | PUC |
| 2010-11 | 20110317 | QATAR | 73049000 | SECONDARY DEFECTIVE CARBON STEEL SEAMLESS PIPES | 0.10 | 2,63,610 | 26,361 | PUC |
| 2010-11 | 20110308 | GERMANY | 73049000 | CARBON STEEL SECONDARY DEFECTIVE SEAMLESS PIPE | 0.10 | 41,220 | 4,122 | PUC |
| 2010-11 | 20110311 | U S A | 73049000 | CARBON STEEL SECONDARY DEFECTIVE SEAMLESS PIPE | 0.10 | 41,180 | 4,118 | PUC |
| 2010-11 | 20110324 | U ARAB EMTS | 73049000 | SECONDARY SECOND CARBON STEEL SEAMLESS/ WELDED PIPES (MIXED LOT) | 0.10 | 19,520 | 1,952 | PUC |
| 2010-11 | 20110324 | U ARAB EMTS | 73049000 | SECONDARY SECOND CARBON STEEL SEAMLESS / WELDED PIPES (MIXED LOT.) | 0.10 | 19,360 | 1,936 | PUC |
| 2010-11 | 20110321 | JAPAN | 73049000 | SECONDARY SEAMLESS CARBON STEEL PIPES | 0.10 | 18,300 | 1,830 | PUC |
| 2010-11 | 20110314 | U S A | 73049000 | SECONDARY CARBON STEEL SEAMLESS PIPES (MIXED SIZE) | 0.10 | 11,540 | 1,154 | PUC |
| 2010-11 | 20110307 | U S A | 73049000 | OILWELL SUPPLIES : TUBING, PIPE, 1/2 INCH SIZE, COPPER MATERIAL, 50 FT LENGTH, | 0.05 | 71,120 | 3,556 | PUC |
| 2010-11 | 20110324 | CHINA P RP | 73049000 | CARBON STEEL SEAMLESS PIPES | 0.04 | 1,07,400 | 4,296 | PUC |
| 2010-11 | 20110308 | U ARAB EMTS | 73049000 | SECONDARY SECOND CARBON STEEL SEAMLESS / WELDED PIPES (MIXED LOT.) | 0.03 | 23,500 | 705 | PUC |
| 2010-11 | 20110318 | CHINA P RP | 73049000 | CARBON STEEL SEAMLESS PIPES | 0.03 | 94,600 | 2,838 | PUC |
| 2010-11 | 20110308 | CHINA P RP | 73049000 | CARBON STEEL SEAMLESS PIPES | 0.02 | 17,143 | 360 | PUC |
| 2010-11 | 20110303 | CHINA P RP | 73049000 | CARBON STEEL SEAMLESS PIPES | 0.02 | 1,87,150 | 3,743 | PUC |
| 2010-11 | 20110319 | KOREA RP | 73042990 | PARTS FOR TRANSPORT CARTS MS METAL JOINT [WZ G-3S] | 0.02 | 1,12,188 | 1,795 | PUC |
| 2010-11 | 20110224 | THAILAND | 73049000 | SECONDARY / DEFECTIVE MILD STEEL PIPE | 0.01 | 1,39,700 | 1,397 | PUC |
| 2010-11 | 20110318 | U K | 73049000 | SECONDARY SECOND CHOICE CARBON STEEL SEAMLESS/WELDED PIPES | 0.01 | 41,200 | 412 | PUC |
| 2010-11 | 20110305 | GERMANY | 73049000 | CARBON STEEL SECOND CHOICE SEAMLESS PIPES | 0.01 | 35,000 | 350 | PUC |
| 2010-11 | 20110303 | UKRAINE | 73049000 | SECONDARY CARBON STEEL SEAMLESS PIPES (MIXED SIZES) (OD 33.4-168 X LENGTH UPT | 0.01 | 31,100 | 311 | PUC |
| 2010-11 | 20110310 | U ARAB EMTS | 73049000 | SECONDARY SECOND CARBON STEEL SEAMLESS/ WELDED PIPES (MIXED LOT) | 0.01 | 29,500 | 295 | PUC |
| 2010-11 | 20110302 | U ARAB EMTS | 73049000 | SECONDARY SECOND CHOICE CARBON STEEL SEAMLESS PIPE,MIXED SIZE & MIXED LOT | 0.01 | 27,300 | 273 | PUC |
| 2010-11 | 20110310 | U ARAB EMTS | 73049000 | CARBON STEEL SECONDARY SEAMLESS PIPES MIX LOT | 0.01 | 27,000 | 270 | PUC |
| 2010-11 | 20110324 | U ARAB EMTS | 73049000 | SECONDARY SECOND CHOICE CARBON STEEL SEAMLESS/WELDED PIPES | 0.01 | 20,800 | 208 | PUC |
| 2010-11 | 20110308 | U ARAB EMTS | 73049000 | SECONDARY SECOND CARBON STEEL FITTINGS (MIXED LOT.) | 0.01 | 19,700 | 197 | PUC |
| 2010-11 | 20110310 | U ARAB EMTS | 73049000 | SECONDARY SECOND CARBON STEEL SEAMLESS / WELDED PIPES (MIXED LOT.) | 0.01 | 14,800 | 148 | PUC |

**Import Data from DGCIS [All Countries PUC]
Apr 2009 to Jun 2012**

| Year | Date | Country | ITC-HS | Item-Des | Quantity (MT) | Price (Rs./MT) | Value (Rs) | PUC/ NPUC |
|---------|----------|-------------|----------|--|---------------|----------------|-------------|--------------|
| 2010-11 | 20110322 | CHINA P RP | 73049000 | CARBON STEEL COLD DRAWN SEAMLESS STEEL PIPES ASTM A 106 GR.B | 0.01 | 1,48,800 | 1,488 | PUC |
| 2010-11 | 20110316 | SAUDI ARAB | 73049000 | SECONDARY SECOND CARBON STEEL SEAMLESS/ WELDED PIPES MIXED THICKNESS MIXED LOT. | 0.01 | 22,833 | 137 | PUC |
| 2010-11 | 20110310 | U ARAB EMTS | 73049000 | SECONDARY SECOND CARBON STEEL SEAMLESS / WELDED PIPES (MIXED LOT) | 0.01 | 23,000 | 115 | PUC |
| 2010-11 | 20110330 | CHINA P RP | 73049000 | CARBON STEEL SEAMLESS PIPE A106 GRADE B | 0.01 | 64,800 | 324 | PUC |
| 2010-11 | 20110314 | CHINA P RP | 73049000 | PRIME CARBON STEEL SEAMLESS PIPES TO ASTM A 106 GRADE B | 0.003 | 1,14,333 | 343 | PUC |
| 2010-11 | 20110321 | CHINA P RP | 73049000 | CARBON STEEL SEAMLESS PIPES L(10-12M) ASTM106GR. B/API 5L GRB/A53 GR. B | 0.003 | 1,13,333 | 340 | PUC |
| 2010-11 | 20110302 | QATAR | 73049000 | SECONDARY CARBON STEEL SEAMLESS PIPES | 0.001 | 2,89,000 | 289 | PUC |
| 2010-11 | 20110304 | U K | 73049000 | CARBON STEEL SECONDAY PRECISIONS PIPES | 0.001 | 57,000 | 57 | PUC |
| 2010-11 | 20110323 | CHINA P RP | 73049000 | CARBON STEEL SEAMLESS PIPES AS PER API 5L/ASTM A106 GR.B | 0.001 | 38,000 | 38 | PUC |
| 2010-11 | 20110314 | CHINA P RP | 73049000 | CARBON STEEL SEAMLESS PIPES L(10-12M) ASTM 106 GR B / API 5L GR B / A 53 GR B | 0.001 | 34,000 | 34 | PUC |
| 2011-12 | 20110420 | CHINA P RP | 73043911 | 73043911 S/L CARBON STEELHOLLOW(TOSPEC SA210) | 1,699.00 | 48,150 | 8,18,06,325 | PUC |
| 2011-12 | 20110420 | CHINA P RP | 73043911 | 73043911 S/L CARBON STEELHOLLOW(TOSPEC SA210) | 1,382.00 | 48,123 | 6,65,06,322 | PUC |
| 2011-12 | 20110421 | CHINA P RP | 73042990 | SEAMLESS PIPE 114.3 X 7.9 MM X-46 3 LAYER POLYETHYLENE COATED (4166 PCS) (INVOI | 937.46 | 81,287 | 7,62,03,119 | PUC |
| 2011-12 | 20110420 | CHINA P RP | 73043911 | SEAMLESS STEEL TUBE - SEAMLESS STEEL CYLINDER PIPE (GRADE 34CRMO4) SIZE : 317M | 904.24 | 58,328 | 5,27,42,127 | PUC |
| 2011-12 | 20110425 | CHINA P RP | 73041910 | PLAIN END SEAMLESS PIPES SIZE 2-7/8 OD {93275.30 MTRS = 867.248 MTS (OR) 9789 | 855.96 | 47,216 | 4,04,14,891 | PUC |
| 2011-12 | 20110404 | CHINA P RP | 73041910 | PLAIN END SEAMLESS PIPES (SIZE:3-1/2 OD LENGTH: 17764.32 MTRS = 1866 PCS (OR) | 666.22 | 41,385 | 2,75,71,307 | PUC |
| 2011-12 | 20110429 | KOREA RP | 98010013 | SEAMLESS CARBON STEEL TUBES(OD44.50X8.00X14400) [5644.8 MTRS @ 11.34 USD/M] [S3 | 495.00 | 72,206 | 3,57,41,900 | PUC |
| 2011-12 | 20110415 | CHINA P RP | 73045130 | SEAMLESS CARBON STEEL PIPE ASME SA 106-2007 SIZE 12 SCH80X5.8X17 | 490.00 | 41,360 | 2,02,66,476 | PUC |
| 2011-12 | 20110410 | CHINA P RP | 73049000 | SECONDARY DEFECTIVE CARBON STEEL SEAMLESS PIPE | 476.00 | 26,431 | 1,25,81,087 | PUC |
| 2011-12 | 20110401 | CHINA P RP | 73043911 | 22 X 40 CONTAINERS SEAM | 474.00 | 61,467 | 2,91,35,371 | PUC |
| 2011-12 | 20110409 | CHINA P RP | 73049000 | CARBON STEEL SEAMLESS SECONDARY DEFECTIVE PIPES | 461.00 | 26,411 | 1,21,75,251 | PUC |
| 2011-12 | 20110404 | CHINA P RP | 73041910 | PLAIN END SEAMLESS PIPES (SIZE:3-1/2 OD LENGTH: 20690.33 MTRS = 2183 PCS (OR) | 452.98 | 39,442 | 1,78,66,444 | PUC |
| 2011-12 | 20110404 | KOREA RP | 73041910 | PLAIN END SEAMLESS PIPES (SIZE:2-7/8 OD LENGTH: 1389.12 MTRS = 147 PCS (OR) 12 | 420.10 | 47,796 | 2,00,79,006 | PUC |
| 2011-12 | 20110402 | CHINA P RP | 73045930 | SEAMLESS STEEL GAS CYLINDER TUBE 267 MM X 6.5 MM | 400.00 | 52,970 | 2,11,88,015 | PUC |
| 2011-12 | 20110421 | CHINA P RP | 73042990 | SEAMLESS PIPE 114.3 X 7.9 MM X-46 3 LAYER POLYETHYLENE COATED (1498 PCS) (INVOI | 372.76 | 73,508 | 2,74,00,929 | PUC |
| 2011-12 | 20110418 | BELGIUM | 73043911 | HOT FINISHED SEAMLESS STEEL TUBES | 363.00 | 75,031 | 2,72,36,277 | PUC |
| 2011-12 | 20110428 | CHINA P RP | 73043919 | CARBON STEEL SEAMLESS TUBES ASTM A 179 (SIZE 27MM OD X 2.50MM THK X 10.5 - 11. | 344.74 | 45,942 | 1,58,37,796 | PUC |
| 2011-12 | 20110419 | GERMANY | 73043119 | SEAMLESS TUBE HOLLOW ST 30AL (SIZE 30.000 X 4.000MM) RL 10.000.00 - 12.000.00 | 305.40 | 51,980 | 1,58,74,900 | PUC |
| 2011-12 | 20110406 | NETHERLAND | 73041910 | CARBON STEEL SEAMLESS PIPE CONFORMING TO JIS 3454 STPG370 IN LENGTH OF 5 TO 7 M | 289.00 | 43,666 | 1,26,19,558 | PUC |
| 2011-12 | 20110406 | CHINA P RP | 73041910 | CARBON STEEL SEAMLESS PIPE CONFORMING TO JIS 3454 STPG370 IN LENGTH OF 5 TO 7 | 287.00 | 43,530 | 1,24,93,024 | PUC |
| 2011-12 | 20110411 | CHINA P RP | 73043911 | SEAMLESS CARBON STEEL TUBES SA210 | 265.00 | 68,991 | 1,82,82,694 | PUC |
| 2011-12 | 20110330 | CHINA P RP | 73042990 | CARBON SEAMLESS STEEL PIPE,134MMX4.5MMX6000MM, DIN EN10220 (FOR CONCRETE EQUIP | 265.00 | 47,543 | 1,25,98,964 | PUC |
| 2011-12 | 20110412 | CHINA P RP | 73042990 | CARBON SEAMLESS STEEL PIPE 134MM X 4.55MM X 6000-DIN EN 10220 (FOR CONCRERATE P | 261.00 | 46,986 | 1,22,63,353 | PUC |
| 2011-12 | 20110309 | CHINA P RP | 73043119 | SEAMLESS TUBES.GRADE.SA210 GR.A1 51 X 4.5 X 10-11.8 MTR(4151PCS-45467.57MTR/\$6. | 256.00 | 50,337 | 1,28,86,324 | PUC |
| 2011-12 | 20110413 | OMAN | 73069090 | SECONDARY & DEFECTIVE MS PIPE PSI NO. 0050460 DT. 23.03.11 | 242.00 | 20,368 | 49,29,061 | PUC |
| 2011-12 | 20110420 | ROMANIA | 98010013 | SEAMLESS CARBON STEEL TUBES SA210 S37/26/2010 CIF RS.17153849 | 237.00 | 72,379 | 1,71,53,849 | PUC |
| 2011-12 | 20110402 | CHINA P RP | 73045930 | SEAMLESS STEEL GAS CYLINDER TUBE SIZE OD 232 MMXW.T.5.4MM | 231.00 | 52,986 | 1,22,39,853 | PUC |
| 2011-12 | 20110406 | CHINA P RP | 73041910 | CARBON STEEL SEAMLESS PIPE CONFIRMING TO JIS 3454 STPG370 IN LENGHT OF 5 TO 7 M | 231.00 | 45,308 | 1,04,66,139 | PUC |
| 2011-12 | 20110420 | CHINA P RP | 73049000 | CARBON STEEL SEAMLESS PIPES GRADE A106 GRB/API 5L | 224.00 | 33,853 | 75,83,057 | PUC |
| 2011-12 | 20110426 | CHINA P RP | 73042990 | CARBON SEAMLESS STEEL PIPE 134MMX4.5MM S355J2H EN10210 (FOR CONCRETE MACHINERY | 206.00 | 45,943 | 94,64,310 | PUC |
| 2011-12 | 20110425 | CHINA P RP | 73043911 | HOT FINISHED SEAMLESS TUBES (37MN) SIZE:139.7MM X 4.5MM X 5720MM | 199.00 | 48,964 | 97,43,828 | PUC |

**Import Data from DGCIS [All Countries PUC]
Apr 2009 to Jun 2012**

| Year | Date | Country | ITC-HS | Item-Des | Quantity (MT) | Price (Rs./MT) | Value (Rs) | PUC/ NPUC |
|---------|----------|-------------|----------|---|---------------|----------------|-------------|--------------|
| 2011-12 | 20110321 | CHINA P RP | 73049000 | CARBON STEEL SEAMLESS PIPE ASTM A 106 GR B SIZE 8 X SCH160/23 MM THK X 5-6.5M | 183.00 | 34,998 | 64,04,692 | PUC |
| 2011-12 | 20110416 | CHINA P RP | 73041910 | SEAMLESS STEEL PIPES ASTMA 106 GR.B/API 5L GR.B 4 XSCH80X5.8MTR | 181.37 | 30,510 | 55,33,691 | PUC |
| 2011-12 | 20110421 | CHINA P RP | 73043911 | SEAMLESS STEEL CYLINDER PIPES 37MN SIZE 139.8MM X 4.5MM | 171.00 | 48,948 | 83,70,115 | PUC |
| 2011-12 | 20110411 | CHINA P RP | 73049000 | CARBON STEEL SEAMLESS PIPES AS PER API 5L GRADE B/106 B | 170.00 | 33,271 | 56,56,148 | PUC |
| 2011-12 | 20110402 | CHINA P RP | 73045930 | SEAMLESS STEEL GAS CYLINDER TUBES 232MM X 5.4 MM | 169.00 | 53,188 | 89,88,717 | PUC |
| 2011-12 | 20110421 | QATAR | 73049000 | SECONDARY / DEFECTIVE CARBON STEEL SEAMLESS PIPE FITTINGS | 166.00 | 27,499 | 45,64,840 | PUC |
| 2011-12 | 20110316 | CHINA P RP | 98010013 | 98010013 SEAMLESS PIPES(C/S)(S37/38/10)TO SPEC.SA106 | 166.00 | 2,52,828 | 4,19,69,406 | PUC |
| 2011-12 | 20110408 | CHINA P RP | 73045110 | BEARING QUALITY STEEL TUBE SAE52100 (6905 OR) SIZE:42.25X36.57MM | 165.48 | 68,612 | 1,13,53,868 | PUC |
| 2011-12 | 20110423 | CHINA P RP | 73045110 | BEARING QUALITY STEEL TUBE SAE- 52100 [JPU 51-15 OR] SIZE 51.25X35.61 MM | 163.68 | 74,688 | 1,22,25,254 | PUC |
| 2011-12 | 20110407 | CHINA P RP | 73043939 | COLD DRAWN NON ALLOY STEEL SEAMLESS TUBES GRADE AISI 1035 SIZE 46.58 * 35 | 156.00 | 55,918 | 87,23,231 | PUC |
| 2011-12 | 20110415 | INDONESIA | 73049000 | CARBON STEEL SEAMLESS PIPES API SPEC 5L B PSL1/ASTM A106 B | 154.00 | 34,507 | 53,14,136 | PUC |
| 2011-12 | 20110427 | CHINA P RP | 73042990 | CARBON STEEL SEAMLESS TUBE ASTM A106 GRADE B/API5 GRADE B, SIZE:48MMX3.4MM(MIN) | 151.00 | 48,029 | 72,52,439 | PUC |
| 2011-12 | 20110324 | U ARAB EMTS | 73049000 | SECONDARY SECOND CARBON STEEL SEAMLESS / WELDED PIPES (MIXED LOT.) | 138.00 | 27,075 | 37,36,401 | PUC |
| 2011-12 | 20110323 | CHINA P RP | 73043119 | TUBES.SA210 GR A1.44.5MMX4X10-11.8M(109NUM-1201.9MTR X\$.4.05/MTR) | 138.00 | 42,709 | 58,93,889 | PUC |
| 2011-12 | 20110404 | CHINA P RP | 73041910 | PLAIN END SEAMLESS PIPES (SIZE:2-7/8 OD LENGTH: 14978.25 MTRS = 1585 PCS (OR) | 137.45 | 47,608 | 65,43,713 | PUC |
| 2011-12 | 20110429 | ROMANIA | 98010013 | SEAMLESS CARBON STEEL PIPES(OD 219.10 X 6.35 X 6000)(S37/28/2010)(3336 MTR @USD | 137.00 | 67,818 | 92,91,127 | PUC |
| 2011-12 | 20110321 | U ARAB EMTS | 73049000 | SECONDARY SECOND CARBON STEEL SEAMLESS/ WELDED PIPES (MIXEDLOT) | 131.00 | 26,939 | 35,29,006 | PUC |
| 2011-12 | 20110330 | CHINA P RP | 73043119 | COLD DRAWN SEAMLESS TUBES ASTM A210/ASME SA 210 GRC WITH IBR B V SIZE:32*4*8660 | 128.00 | 48,582 | 62,18,535 | PUC |
| 2011-12 | 20110412 | BELGIUM | 73049000 | CARBON STEEL SEAMLESS PIPE | 127.00 | 33,969 | 43,14,114 | PUC |
| 2011-12 | 20110330 | U ARAB EMTS | 73041990 | SECONDARY/ DEFECTIVE CARBON STEEL SEAMLESS PIPE | 126.00 | 27,443 | 34,57,859 | PUC |
| 2011-12 | 20110404 | CHINA P RP | 73043119 | COLD DRAWN SEAMLESS STEEL TUBES AS PER DIN STD 2391 50 MM OD X 38 MM ID | 123.00 | 58,207 | 71,59,483 | PUC |
| 2011-12 | 20110328 | MALAYSIA | 73069090 | SECONDARY DEFECTIVE UNUSED PARTIALLY RUSTED SEAMLESS PIPESOF VARIOUS SIZE AND | 114.00 | 23,196 | 26,44,326 | PUC |
| 2011-12 | 20110408 | CHINA P RP | 73043119 | COLD DRAWN SEAMLESS STEEL TUBES AS PER DIN STD 2391 50 MM OD X 38 MM ID | 114.00 | 63,932 | 72,88,241 | PUC |
| 2011-12 | 20110412 | CHINA P RP | 73043939 | SEAMLESS CARBON STEEL PIPES API 5L/ASTM A106 GR.B SIZE 73*7.5MM | 112.00 | 44,304 | 49,62,017 | PUC |
| 2011-12 | 20110324 | U ARAB EMTS | 73049000 | SECONDARY SECOND CARBON STEEL SEAMLESS/ WELDED PIPES (MIXEDLOT) | 111.00 | 26,898 | 29,85,669 | PUC |
| 2011-12 | 20110413 | U K | 73069090 | SECONDARY AND DEFECTIVE PIPE | 111.00 | 20,399 | 22,64,318 | PUC |
| 2011-12 | 20110421 | OMAN | 73069090 | SECONDARY & DEFECTIVE MS PIPE PSI NO. 0050824 DT. 26.03.11 | 110.00 | 20,257 | 22,28,278 | PUC |
| 2011-12 | 20110326 | U K | 73069090 | SECONDARY & DEFECTIVE PIPES PSINO. 08186/K/D/109441/A DT.21.01.11. WLSI GROUP | 108.00 | 20,587 | 22,23,448 | PUC |
| 2011-12 | 20110330 | U S A | 73049000 | 245MM *1041,5MM ROLL FORGINGS WITH CENTRE HOLE AND MACH. ALLOWANCE | 107.83 | 49,152 | 53,00,238 | PUC |
| 2011-12 | 20110423 | ROMANIA | 98010013 | SEAMLESS CARBON STEEL TUBES(BOILER & HEAT EXCHANGER)(S37/25/2010)(11338.09MTR@U | 107.00 | 68,403 | 73,19,174 | PUC |
| 2011-12 | 20110425 | CHINA P RP | 73069090 | SECONDARY & DEFECTIVE M.S.PIPE | 107.00 | 20,540 | 21,97,779 | PUC |
| 2011-12 | 20110421 | U S A | 73049000 | CARBON STEEL SECONDARY DEFECTIVE SEAMLESS PIPES | 106.00 | 28,793 | 30,52,027 | PUC |
| 2011-12 | 20110324 | SWEDEN | 73049000 | SECONDARY CARBON SEAMLESS PIPE | 106.00 | 27,189 | 28,82,071 | PUC |
| 2011-12 | 20110329 | SINGAPORE | 98010013 | SEAMLESS CARBON STEEL PIPES TO SPEC SA 106 S37/26/2010 CIF RS. 9635172 | 105.00 | 91,764 | 96,35,172 | PUC |
| 2011-12 | 20110318 | CHINA P RP | 73042390 | MARINE STEEL PIPES FOR HULL 11140 | 105.00 | 59,030 | 61,98,174 | PUC |
| 2011-12 | 20110406 | JAPAN | 73049000 | CARBON STEEL SECONDARY SEAMLESS /WELDED PIPES MIX LOT | 103.00 | 27,015 | 27,82,512 | PUC |
| 2011-12 | 20110413 | GERMANY | 73041110 | HOT FINISHED SEAMLESS STEEL TUBES DIM.177.8X25.4X9200MM | 102.25 | 75,293 | 76,98,830 | PUC |
| 2011-12 | 20110414 | CHINA P RP | 73049000 | STEEL PIPE - SIZE : 159 X 6 X 8000 MM (2 PCS) | 100.00 | 44,567 | 44,56,720 | PUC |
| 2011-12 | 20110406 | CHINA P RP | 73049000 | CARBON STEEL SEAMLESS PIPES API SPEC 5L B PSL 1/ASTM A106 B | 99.00 | 33,365 | 33,03,124 | PUC |
| 2011-12 | 20110317 | ROMANIA | 98010013 | SEAMLESS CARBON STEEL PIPES (TO SPEC SA106)(S37/39/2010/GR6) (CIF RS.7024963) | 98.00 | 71,683 | 70,24,963 | PUC |
| 2011-12 | 20110325 | BELGIUM | 73049000 | SECONDARY CARBON SEAMLESS PIPE | 97.00 | 27,244 | 26,42,671 | PUC |

**Import Data from DGCIS [All Countries PUC]
Apr 2009 to Jun 2012**

| Year | Date | Country | ITC-HS | Item-Des | Quantity (MT) | Price (Rs./MT) | Value (Rs) | PUC/ NPUC |
|---------|----------|-------------|----------|--|---------------|----------------|------------|--------------|
| 2011-12 | 20110409 | CHINA P RP | 73049000 | SECONDARY SECOND CHOICE CARBON STEEL SEAMLESS PIPES MIXEDSIZE & MIXED LOT | 91.00 | 26,720 | 24,31,535 | PUC |
| 2011-12 | 20110425 | ITALY | 73049000 | CDS PRECISION STEEL TUBES FOR HYDRAULIC CYLINDERS126.00X8.00 ML 126X110X1142 | 90.71 | 83,264 | 75,53,281 | PUC |
| 2011-12 | 20110422 | U S A | 73041990 | SEAMLESS(CARBON STEEL) PIPE API5L/ASTM A 106 GR B 273.1 MM X 12.7 MM | 90.00 | 45,674 | 41,10,695 | PUC |
| 2011-12 | 20110324 | CHINA P RP | 73043119 | HOT FINISHED SEAMLESS CARBON STEEL PIPES ASME SA106 GR.B.273.0X32.00X8.0 M -10. | 86.00 | 52,108 | 44,81,296 | PUC |
| 2011-12 | 20110406 | JAPAN | 73045910 | HOT FINISHED SEAMLESS CARBON STEEL PIPES ASTM/ASME A/SA-106B, PLAIN ENDS 219.1 | 85.19 | 74,579 | 63,53,329 | PUC |
| 2011-12 | 20110401 | CHINA P RP | 73043129 | HYDRAULIC CYLINDER TUBE 180*160(FOR CAPTIVE CONSUMPTION) | 81.00 | 18,648 | 15,10,486 | PUC |
| 2011-12 | 20110417 | ITALY | 73049000 | SECONDARY CARBON STEEL SEAMLESS PIPES, MIX SIZES | 79.00 | 26,768 | 21,14,680 | PUC |
| 2011-12 | 20110405 | CHINA P RP | 73043119 | NON ALLOY STEEL SEAMLESS PIPES API 5L GRADE B 114.3MMX8.08MM | 79.00 | 51,758 | 40,88,901 | PUC |
| 2011-12 | 20110413 | CHINA P RP | 73041990 | SEAMLESS PIPE API 5L/ASTM A106 GR B 73 MM X 7.01MM | 77.00 | 42,113 | 32,42,712 | PUC |
| 2011-12 | 20110322 | CHINA P RP | 73041990 | SEAMLESS (CARBON STEEL)PIPE API 5L ASTM A 106 GR B 219.1MM X 12.7 MM | 77.00 | 39,963 | 30,77,132 | PUC |
| 2011-12 | 20110416 | U ARAB EMTS | 73049000 | M.S DEFECTIVE PIPES | 76.00 | 26,275 | 19,96,888 | PUC |
| 2011-12 | 20110304 | FRANCE | 73045110 | HOT FINISHED SEAMLESS CARBON STEEL TUBES (TO SPEC SA 210)OD 50.8MM X MIN. WT 7. | 71.00 | 69,114 | 49,07,094 | PUC |
| 2011-12 | 20110406 | CHINA P RP | 73049000 | CARBON STEEL SEAMLESS PIPES (33.4*4.6,273* 6.5,508*13.0 | 70.00 | 33,572 | 23,50,043 | PUC |
| 2011-12 | 20110325 | CHINA P RP | 73045910 | 7478.7778 KGS BEARING STEEL TUBE FOR MANUFACTURING OF BEARING 6204OR 47.70X5.29 | 67.31 | 68,383 | 46,02,803 | PUC |
| 2011-12 | 20110401 | CHINA P RP | 73041910 | COLD DRAWN SEAMLESS STE | 66.94 | 58,222 | 38,97,177 | PUC |
| 2011-12 | 20110405 | THAILAND | 73069090 | A519 COLD DRAWN SEAMLESS TUBING SRA (SIZE: 244.6 OD X 186.84 ID) | 65.68 | 1,40,263 | 92,12,780 | PUC |
| 2011-12 | 20110406 | CHINA P RP | 73049000 | CARBON STEEL SEAMLESS BUTT WELD PIPE FITTING (VARIOUS SIZE) | 65.00 | 50,681 | 32,94,289 | PUC |
| 2011-12 | 20110409 | CHINA P RP | 73049000 | SECONDARY SECOND CHOICE CARBON STEEL SEAMLESS PIPES MIXED SIZE & MIXED LOT | 65.00 | 26,197 | 17,02,836 | PUC |
| 2011-12 | 20110402 | CHINA P RP | 73045930 | SEAMLESS STEEL GAS CYLINDER TUBE 267 MM X 6.5 MM | 63.00 | 52,566 | 33,11,687 | PUC |
| 2011-12 | 20110330 | TAIWAN | 73041910 | CARBON STEEL SMLS PIPE/ EQUIPMENT AND MATERIALS FOR KICHI REGAS FACILITIES RETR | 53.45 | 76,661 | 40,97,295 | PUC |
| 2011-12 | 20110418 | SAUDI ARAB | 73049000 | SECONDARY SECOND CARBON STEEL SEAMLESS/ WELDED PIPES MIXED THICKNESS MIXED LOT. | 53.00 | 26,772 | 14,18,892 | PUC |
| 2011-12 | 20110420 | KUWAIT | 73049000 | SECONDARY/DEFECTIVE CARBON STEEL PIPE SEAMLESS. | 53.00 | 24,166 | 12,80,802 | PUC |
| 2011-12 | 20110425 | CHINA P RP | 73041910 | PLAIN END SEAMLESS PIPES 5-7/8 OD {52.250 MTS = 1382 MTRS (OR)110 PCS} | 52.25 | 45,631 | 23,84,231 | PUC |
| 2011-12 | 20110316 | SAUDI ARAB | 73049000 | SECONDARY SECOND CARBON STEEL SEAMLESS/ WELDED PIPES MIXED THICKNESS MIXED LOT. | 52.00 | 27,225 | 14,15,712 | PUC |
| 2011-12 | 20110331 | KUWAIT | 73049000 | SECONDARY/DEFECTIVE CARBON STEEL PIPES SEAMLESS. | 52.00 | 25,569 | 13,29,603 | PUC |
| 2011-12 | 20110420 | CHINA P RP | 73049000 | CARBON STEEL SEAMLESS PIPES GRADE A106 GRB/AP15L | 52.00 | 33,793 | 17,57,240 | PUC |
| 2011-12 | 20110406 | CHINA P RP | 73049000 | CARBON STEEL SEAMLESS PIPES API SPEC 5L B PSL1/ASTM A 106 B | 51.00 | 35,767 | 18,24,097 | PUC |
| 2011-12 | 20110401 | SINGAPORE | 73041910 | SECONDARY STEEL PIPES | 50.00 | 22,539 | 11,26,949 | PUC |
| 2011-12 | 20110408 | CHINA P RP | 73049000 | CARBON STEEL SEAMLESS PIPES AS PER API 5L/ASTM A106 GR.B | 50.00 | 39,239 | 19,61,953 | PUC |
| 2011-12 | 20110413 | CHINA P RP | 73049000 | SECONDARY SECOND CHOISE CARBON STEEL PIPES | 50.00 | 29,766 | 14,88,288 | PUC |
| 2011-12 | 20110329 | CHINA P RP | 73041910 | PLAIN END SEAMLESS PIPES OF SIZE 2-7/8 INCH OD {49.614 MTS =3945.96 METERS (OR) | 49.61 | 55,808 | 27,68,882 | PUC |
| 2011-12 | 20110228 | ROMANIA | 98010013 | 98010013 SEAMLESS PIPES(C/S){S37/38/10}TO SPEC.SA106 | 49.00 | 72,447 | 35,49,894 | PUC |
| 2011-12 | 20110404 | CHINA P RP | 73049000 | SECONDARY DEFECTIVE SEAMLESS PIPE - 108X15MM | 49.00 | 23,050 | 11,29,432 | PUC |
| 2011-12 | 20110430 | JAPAN | 98010013 | SEAMLESS CARBON STEEL PIPES (P/O NO:7700002198){S37/20/2010}[204 MTR @ US \$ 418 | 47.00 | 82,178 | 38,62,368 | PUC |
| 2011-12 | 20110406 | U S A | 73041910 | CARBON STEEL SEAMLESS PIPE CONFIRMING TO JIS 3454 STPG370 IN LENGHT OF 5 TO 7 M | 47.00 | 44,473 | 20,90,217 | PUC |
| 2011-12 | 20110330 | SINGAPORE | 73041910 | SECONDARY STEEL PIPES | 47.00 | 22,678 | 10,65,861 | PUC |
| 2011-12 | 20110408 | CHINA P RP | 73041910 | CARBON STEEL SEAMLESS PIPE CONFIRMING TO JIS 3454 STPG370 IN LENGHT OF 5 TO 7 M | 47.00 | 44,290 | 20,81,626 | PUC |
| 2011-12 | 20110406 | CHINA P RP | 73041910 | CARBON STEEL SEAMLESS PIPE CONFIRMING TO JIS 3454 STPG370 IN LENGHT OF 5 TO 7 M | 47.00 | 43,829 | 20,59,948 | PUC |
| 2011-12 | 20110405 | CHINA P RP | 73041910 | PLAIN END SEAMLESS PIPES [SIZE : 139.70 MM/5-1/2 OD]{48.920MTS=576.100 MTRS (OR | 46.76 | 71,870 | 33,61,000 | PUC |
| 2011-12 | 20110416 | CHINA P RP | 73043119 | HOT FINISHED CARBON STEEL SEAMLESS PIPES GR. ASME SA106 GR.B SIZE(MM): 88.9 X 5 | 46.20 | 44,373 | 20,49,966 | PUC |
| 2011-12 | 20110329 | CHINA P RP | 73049000 | SEAMLESS CARBON STEEL PIPES AS PER ASTM A106 GRBSIZE 1 1/2 SCH40*5000MM | 45.00 | 31,165 | 14,02,420 | PUC |

**Import Data from DGCIS [All Countries PUC]
Apr 2009 to Jun 2012**

| Year | Date | Country | ITC-HS | Item-Des | Quantity (MT) | Price (Rs./MT) | Value (Rs) | PUC/ NPUC |
|---------|----------|-------------|----------|---|---------------|----------------|------------|--------------|
| 2011-12 | 20110329 | CHINA P RP | 73041110 | MS SEAMLESS PIPES /TUBES 219X12.5MM(4.824MTS)/114X18MM(5.252MTS)/ 76X10MM(5.768 | 43.91 | 27,420 | 12,03,984 | PUC |
| 2011-12 | 20110330 | CHINA P RP | 73045910 | BEARING SEAMLESS STEEL TUBE 60040R 43.04X34.10MM | 42.00 | 69,115 | 29,02,832 | PUC |
| 2011-12 | 20110402 | CHINA P RP | 73045930 | SEAMLESS STEEL GAS CYLINDER TUBE 232 MM X 5.4 MM | 42.00 | 52,645 | 22,11,106 | PUC |
| 2011-12 | 20110331 | U ARAB EMTS | 73041990 | SEAMLESS PIPES (17 PALLETS) | 41.00 | 27,353 | 11,21,484 | PUC |
| 2011-12 | 20110413 | U ARAB EMTS | 73049000 | MS DEFECTIVE PIPES. | 41.00 | 23,354 | 9,57,531 | PUC |
| 2011-12 | 20110330 | CHINA P RP | 73049000 | CARBON STEEL SEAMLESS PIPE A106 GRADE B | 41.00 | 32,395 | 13,28,197 | PUC |
| 2011-12 | 20110413 | U S A | 73049000 | SECONDARY SECON D CHOICE CARBON STEEL SEAMLESS/WELDED PIPES | 40.65 | 24,756 | 10,06,282 | PUC |
| 2011-12 | 20110406 | CHINA P RP | 73069090 | CUT BLANK RINGS - 6202 IR CUT BLANKS OD22.35MM X ID14.25MM (TUBES MADE FROM SAE | 39.14 | 1,12,961 | 44,21,388 | PUC |
| 2011-12 | 20110421 | CHINA P RP | 73043129 | CARBON STEEL SEAMLESS PIPES 219.1 X 23.01 X 8400MM (50.40 MTR) | 39.00 | 47,148 | 18,38,758 | PUC |
| 2011-12 | 20110405 | CHINA P RP | 73043911 | CARBON STEEL TUBES(TOSPEC SA210) | 38.00 | 77,659 | 29,51,045 | PUC |
| 2011-12 | 20110327 | CHINA P RP | 73045110 | STEEL TUBE DIA 4.76 X 0.60MM WITH COPPER COATED(CAPTIVE CONSUMPTION) | 33.87 | 64,940 | 21,99,312 | PUC |
| 2011-12 | 20110428 | CHINA P RP | 73045110 | STEEL TUBE DIA 4.76 0.60MM WITH COPPER COATED(CAPTIVE CONSUMPTION) | 33.87 | 63,495 | 21,50,390 | PUC |
| 2011-12 | 20110420 | CHINA P RP | 73045110 | STEEL TUBE DIA 4.76X0.60 MM WITH COPPER COATED | 33.87 | 63,495 | 21,50,390 | PUC |
| 2011-12 | 20110420 | CHINA P RP | 73045110 | STEEL TUBE DIA 4.76X0.60 MM WITH COPPER COATED | 33.87 | 63,495 | 21,50,390 | PUC |
| 2011-12 | 20110405 | CHINA P RP | 73043119 | COLD DRAWN STEEL TUBE FOR MFR. OF HYD. CYLINDER145 X 10.25MM | 32.00 | 85,176 | 27,25,647 | PUC |
| 2011-12 | 20110413 | CHINA P RP | 73045120 | OD190 X WT15MM X4-6 M PRECISION TUBES | 31.60 | 39,682 | 12,54,046 | PUC |
| 2011-12 | 20110416 | CHINA P RP | 73043129 | HOT FINISHED CARBON STEEL SEAMLESS PIPES GR. ASME SA106 GR.B SIZE(MM): 168.3 X | 31.24 | 39,675 | 12,39,400 | PUC |
| 2011-12 | 20110411 | CHINA P RP | 73049000 | PRIME CARBON STEEL SEAMLESS TUBES, GRADE ASTM A210 GR.A-1 -SIZE : 76.1X4.4X4000 | 30.00 | 56,629 | 16,98,883 | PUC |
| 2011-12 | 20110412 | ITALY | 73049000 | SECONDARY SEAMLESS CARBON STEEL PIPES | 27.00 | 36,280 | 9,79,554 | PUC |
| 2011-12 | 20110325 | OMAN | 73069090 | SECONDARY DEFECTIVE MS PIPES OF MIX SIZES | 27.00 | 21,012 | 5,67,325 | PUC |
| 2011-12 | 20110401 | CHINA P RP | 73049000 | SEAMLESS STEEL TUBES BK LENGTH 5-5.8 METER (20) 30.00MMX6.8MM | 27.00 | 52,305 | 14,12,229 | PUC |
| 2011-12 | 20110428 | CHINA P RP | 73043139 | HYDRAULIC CYLINDER TUBE (SIZE: 140 X 125 MM) | 26.99 | 56,606 | 15,27,915 | PUC |
| 2011-12 | 20110415 | CHINA P RP | 73043119 | SKIVED AND BURNISHED TUBES(ID-125MM X OD-140MM.) | 26.94 | 50,418 | 13,58,395 | PUC |
| 2011-12 | 20110422 | U S A | 73049000 | CARBON STEEL PIPES (SECONDARY DEFECTIVE) NON ALLOY | 26.00 | 25,733 | 6,69,057 | PUC |
| 2011-12 | 20110401 | SINGAPORE | 73041910 | SECONDRAY STEEL PIPES | 26.00 | 22,461 | 5,83,984 | PUC |
| 2011-12 | 20110408 | CHINA P RP | 73049000 | SEAMLESS STEEL TUBES BK LENGTH 5-5.8 METER (20) 26.70MMX6.00MM | 26.00 | 55,009 | 14,30,239 | PUC |
| 2011-12 | 20110403 | CHINA P RP | 73045920 | SEAMLESS PIPE ST.52 DIMENSION 133MMX4MMX6 MTR LENGTH ASPEREN10020 STANDARD | 26.00 | 52,980 | 13,77,470 | PUC |
| 2011-12 | 20110422 | CHINA P RP | 73049000 | CARBON STEEL PIPES (SECONDARY DEFECTIVE) NON ALLOY | 26.00 | 25,733 | 6,69,057 | PUC |
| 2011-12 | 20110413 | U ARAB EMTS | 73049000 | SECONDARY SECON D CHOICE CARBON STEEL SEAMLESS/WELDED PIPES | 25.50 | 26,968 | 6,87,684 | PUC |
| 2011-12 | 20110407 | ITALY | 73041990 | CS SEAMLESS PIPES API 5L/X52 PSL 2/A 333 GR 6 8 (COUNTRY OFORIGIN RUSSIA (EC N | 25.04 | 1,67,914 | 42,04,397 | PUC |
| 2011-12 | 20110406 | CHINA P RP | 73049000 | CARBON STEEL SEAMLESS PIPES CONFIRMING TO ASTM A-106 GRADE B | 25.00 | 34,951 | 8,73,763 | PUC |
| 2011-12 | 20110401 | SINGAPORE | 73041910 | SECONDARY STEEL PIPES | 24.00 | 22,252 | 5,34,038 | PUC |
| 2011-12 | 20110330 | CHINA P RP | 73045910 | BEARING SEAMLESS STEEL TUBE 6004IR 28.2X19.0MM | 24.00 | 67,338 | 16,16,108 | PUC |
| 2011-12 | 20110325 | CHINA P RP | 73049000 | CARBON STEEL SEAMLESS TUBES ASTM A106 GR.B SIZE 0.75 INCH XXXS X 5-6M PLAIN END | 24.00 | 47,715 | 11,45,156 | PUC |
| 2011-12 | 20110406 | CHINA P RP | 73049000 | CARBON STEEL SEAMLESS PIPES API 5L GR B / ASTM A 106 GR B | 24.00 | 38,443 | 9,22,622 | PUC |
| 2011-12 | 20110415 | CHINA P RP | 73049000 | SECONDARY CARBON STEEL SEAMLESS PIPES, MIX SIZES | 24.00 | 27,205 | 6,52,930 | PUC |
| 2011-12 | 20110129 | CHINA P RP | 73041910 | HOLLOW HARD CHROME PLATED TUBES-CK45 (ID-52MM. OD-80MM.) | 23.18 | 55,503 | 12,86,696 | PUC |
| 2011-12 | 20110406 | JAPAN | 73049000 | CARBON STEEL SEAMLESS PIPES ASTM A106-B | 23.00 | 32,763 | 7,53,548 | PUC |
| 2011-12 | 20110329 | CHINA P RP | 73049000 | SEAMLESS STEEL TUBE GRADE : ST -52OD34.00MMXTHK3.90MM | 23.00 | 44,372 | 10,20,556 | PUC |
| 2011-12 | 20110328 | CHINA P RP | 73049000 | CARBON STEEL SEAMLESS PIPES | 23.00 | 34,710 | 7,98,333 | PUC |
| 2011-12 | 20110421 | ITALY | 73069090 | SEAMLESS COLD DRAWN TUBES (SIZE: 126.00 X 8.00 126X110XM1142) | 22.75 | 95,142 | 21,64,740 | PUC |

**Import Data from DGCIS [All Countries PUC]
Apr 2009 to Jun 2012**

| Year | Date | Country | ITC-HS | Item-Des | Quantity (MT) | Price (Rs./MT) | Value (Rs) | PUC/ NPUC |
|---------|----------|-------------|----------|---|---------------|----------------|------------|--------------|
| 2011-12 | 20110411 | CHINA P RP | 73049000 | CARBON STEEL PIPE AS PER ASTM A106 GR.B/GR/C 168.3 X21.95X3800 MM | 22.57 | 46,040 | 10,39,133 | PUC |
| 2011-12 | 20110330 | JAPAN | 73041910 | SECONDARY STEEL PIPES | 22.00 | 22,495 | 4,94,885 | PUC |
| 2011-12 | 20110412 | CHINA P RP | 73043939 | SEAMLESS CARBON STEEL PIPES API 5L/ASTM A106 GR.B SIZE 73*5.4.MM | 22.00 | 44,765 | 9,84,833 | PUC |
| 2011-12 | 20110413 | CHINA P RP | 73043139 | HOT FINISHED CARBON STEEL SEAMLESS PIPES GR. ASME SA106 GR.B SIZE (MM) : 273X21 | 21.15 | 40,521 | 8,57,014 | PUC |
| 2011-12 | 20110428 | CHINA P RP | 73045110 | 4.76MM*0.7MM SINGLE SIDE ZINC COATED STEEL TUBE(CAPTIVE CONSUMPTION) | 21.02 | 59,559 | 12,52,009 | PUC |
| 2011-12 | 20110415 | CHINA P RP | 73045910 | SEAMLESS COLD DRAWN CARBON STEEL TUBES (SA179) (25OD X 2.50(MIN) WT X 6020LG) | 20.09 | 64,493 | 12,95,732 | PUC |
| 2011-12 | 20110421 | JAPAN | 73045110 | COLD DRAWNSEAMLESS CARBON STEEL TUBES SAE-10 40 73.16 MM OD X 60.46 MM ID X 34 | 20.00 | 1,23,958 | 24,79,159 | PUC |
| 2011-12 | 20110418 | U K | 73049000 | 6 OFF HIGH Q HOLDERS (TO SUIT 50 MM DIAMETER ELECTRODES WITH A DIA 114 MM & 125 | 20.00 | 47,195 | 9,43,905 | PUC |
| 2011-12 | 20110406 | SAUDI ARAB | 73049000 | SECONDARY SECOND CARBON STEEL SEAMLESS/ WELDED PIPES MIXED THICKNESS MIXED LOT. | 20.00 | 26,796 | 5,35,925 | PUC |
| 2011-12 | 20110329 | CHINA P RP | 73049000 | CARBON STEEL SEAMLESS PIPES AS PER API 5L/ASTM A106 GR.B | 20.00 | 40,934 | 8,18,688 | PUC |
| 2011-12 | 20110421 | CHINA P RP | 73045110 | STEEL TUBE DIA 4.76 X 0.60 MM WITH COPPER COATED | 19.96 | 62,394 | 12,45,230 | PUC |
| 2011-12 | 20110412 | CHINA P RP | 73069090 | CUT BLANK RINGS - 6202 OR CUT BLANKS OD35.55MM X ID28.25MM (TUBES MADE FROM SAE | 19.65 | 1,10,881 | 21,78,917 | PUC |
| 2011-12 | 20110405 | CHINA P RP | 73045110 | 4.76MM*0.65MM SINGLE SIDE COPPER COATED STEEL TUBE(CAPTIVE CONSUMPTION) | 19.53 | 58,600 | 11,44,648 | PUC |
| 2011-12 | 20110401 | CHINA P RP | 73045110 | 4MM*0.7MM SINGLE SIDE ZINC COATED STEEL TUBE(CAPTIVE CONSUMPTION) | 18.91 | 65,198 | 12,32,582 | PUC |
| 2011-12 | 20110330 | CHINA P RP | 73049000 | SEAMLESS PIPE 60.3 * 8.5MM | 17.00 | 56,824 | 9,66,007 | PUC |
| 2011-12 | 20110418 | CHINA P RP | 73043939 | SEAMLESS STEEL TUBES 225*200 | 16.97 | 73,217 | 12,42,647 | PUC |
| 2011-12 | 20110329 | JAPAN | 73041110 | C.R.ALLOY STEEL TUBE FOR BEARING SIZE :OD 64.70MM X WT 8.50MM | 16.00 | 1,10,790 | 17,72,642 | PUC |
| 2011-12 | 20110426 | THAILAND | 73069090 | C.S.TUBES, SPEC: STKM13C OD51.9 X ID45.9 X WT3.0 X L291.5MM | 15.80 | 1,01,031 | 15,96,012 | PUC |
| 2011-12 | 20110411 | CHINA P RP | 73045110 | COLD DRAWN READY TO HONE PRECISION TUBE SIZE:ID 125MM X OD 145MM (63.80 MTR) | 15.24 | 57,419 | 8,74,783 | PUC |
| 2011-12 | 20110418 | CHINA P RP | 73042990 | PIPE SMLS (QTY 58.50 MTS - UNIT PRICE 71.33 USD) | 14.12 | 2,16,707 | 30,59,684 | PUC |
| 2011-12 | 20110406 | ITALY | 73043931 | SEAMLESS CARBON STEEL PIPES (TO SPEC SA 106)OD 168.30MM / 6.625 IN.WT : 7.11 MM | 14.00 | 67,520 | 9,45,276 | PUC |
| 2011-12 | 20110409 | CHINA P RP | 73042390 | 5-1/2 OD 21.90PPF S135 DRILLPIPE C/W GPDS 55CONN (OLD & USED) (LOAD PORT CE NO | 13.20 | 2,32,224 | 30,64,844 | PUC |
| 2011-12 | 20110412 | CHINA P RP | 98010013 | SEAMLESS CARBON STEEL TUBES SA106 S37/28/2010 CIF RS.735106 | 13.00 | 56,547 | 7,35,106 | PUC |
| 2011-12 | 20110317 | ROMANIA | 98010013 | SEAMLESS CARBON STEEL PIPES(TO SPEC SA 106)(S37/39/2010/GR6) (CIF RS. 892981) | 11.00 | 81,180 | 8,92,981 | PUC |
| 2011-12 | 20110407 | U K | 73049000 | SECONDARY CARBON STEEL SEAMLESS PIPES | 11.00 | 25,844 | 2,84,281 | PUC |
| 2011-12 | 20110413 | U ARAB EMTS | 73049000 | MS DEFECTIVE PIPES. | 11.00 | 23,005 | 2,53,054 | PUC |
| 2011-12 | 20110420 | JAPAN | 73049000 | SEAMLESS ALLOY STEEL TUBES JIS G3441 SCM415TK 30.70MM OD X 24.90MM ID X 5M | 10.64 | 1,39,651 | 14,85,883 | PUC |
| 2011-12 | 20110409 | SINGAPORE | 73042390 | 5-1/2 OD 21.90PPF S135 DRILLPIPE C/W GPDS 55 CONN (OLD & USED) ORIGINAL VALUE | 10.00 | 1,36,172 | 13,61,722 | PUC |
| 2011-12 | 20110412 | SWITZERLAND | 73045910 | BOILER QUANTITY COLD DRAWN SEAMLESS STEEL TUBES DIAMETER 63.5 MM | 10.00 | 1,23,652 | 12,36,520 | PUC |
| 2011-12 | 20110408 | HONG KONG | 98010013 | 98010013 SEAMLESS PIPES(C/S)(S37/38/10)TO SPEC.SA106 | 9.00 | 1,05,267 | 9,47,399 | PUC |
| 2011-12 | 20110412 | CHINA P RP | 73045110 | BEARING QUALITY STEEL TUBE SAE52100 (SIZE: 55.6*7.1) | 8.88 | 68,704 | 6,10,229 | PUC |
| 2011-12 | 20110329 | JAPAN | 73049000 | STEEL TUBES 101.6X12.5MM (ASME SA-106 GR B) | 8.80 | 56,523 | 4,97,627 | PUC |
| 2011-12 | 20110209 | GERMANY | 73045910 | BOILER QUALITY SEAMLESS ALLOY STEEL TUBES51.15X7.62MM MW | 8.00 | 2,83,755 | 22,70,036 | PUC |
| 2011-12 | 20110413 | U ARAB EMTS | 73049000 | MS DEFECTIVE PIPES. | 8.00 | 22,784 | 1,82,269 | PUC |
| 2011-12 | 20110413 | U ARAB EMTS | 73049000 | MS DEFECTIVE PIPES. | 8.00 | 22,716 | 1,81,728 | PUC |
| 2011-12 | 20110423 | CHINA P RP | 98010013 | SEAMLESS CARBON STEEL TUBES(ITEM : 40)(SIZE:OD 38.10X4.50X13800) S37/28/2010) C | 8.00 | 73,183 | 5,85,462 | PUC |
| 2011-12 | 20110321 | U ARAB EMTS | 73049000 | SECONDARY SECOND CARBON STEEL SEAMLESS/ WELDED PIPES (MIXEDLOT) | 7.00 | 28,357 | 1,98,496 | PUC |
| 2011-12 | 20110413 | CHINA P RP | 73049000 | COLD DRAWN SEAMLESS STEEL TUBE (FOR PISTON PIN) GRADE SCM-415H (JIS) (O.D. 1 | 6.96 | 2,98,041 | 20,73,769 | PUC |
| 2011-12 | 20110422 | CHINA P RP | 73045110 | BEARING QUALITY STEEL TUBE SAE52100 : (SIZE:55.6*7.1) | 6.13 | 66,444 | 4,07,036 | PUC |
| 2011-12 | 20110317 | ROMANIA | 98010013 | SEAMLESS CARBON STEEL PIPES (TO SPEC SA 106)(S37/39/2010/GR6) (CIF RS.736677) | 6.00 | 1,22,780 | 7,36,677 | PUC |
| 2011-12 | 20110415 | U ARAB EMTS | 98010013 | SEAMLESS CARBON STEEL PIPES TO SPEC SA106 | 6.00 | 1,03,187 | 6,19,123 | PUC |

**Import Data from DGCIS [All Countries PUC]
Apr 2009 to Jun 2012**

| Year | Date | Country | ITC-HS | Item-Des | Quantity (MT) | Price (Rs./MT) | Value (Rs) | PUC/ NPUC |
|---------|----------|------------|----------|--|---------------|----------------|-------------|--------------|
| 2011-12 | 20110405 | GERMANY | 73045910 | BOILER QUALITY SEAMLESS ALLOY STEEL TUBES63.500 X 9.000 MM | 5.00 | 1,55,784 | 7,78,920 | PUC |
| 2011-12 | 20110330 | JAPAN | 73041910 | SECONDARY STEEL PIPES | 5.00 | 24,628 | 1,23,139 | PUC |
| 2011-12 | 20110425 | CHINA P RP | 73041910 | PLAIN END SEAMLESS PIPES 5-7/8 OD (52.250 MTS = 1382 MTRS (OR)110 PCS) | 4.98 | 44,358 | 2,20,724 | PUC |
| 2011-12 | 20110418 | CHINA P RP | 73043119 | SEAMLESS STEEL TUBES 92*58 | 4.69 | 63,340 | 2,96,853 | PUC |
| 2011-12 | 20110413 | CHINA P RP | 73043139 | HYDRAULIC CYLINDER TUBE (156*130*1010MM)(FOR CAPTIVE CONSUMPTION) | 4.68 | 1,75,770 | 8,22,228 | PUC |
| 2011-12 | 20110323 | JAPAN | 73049000 | COLD DRAWN SEAMLESS STEEL TUBE (FOR PISTON PIN) GRADE SCM-415H (JIS) (O.D. 1 | 4.18 | 2,93,568 | 12,26,527 | PUC |
| 2011-12 | 20110404 | CHINA P RP | 73069090 | CARBON STEEL PIPE - 9 X 0.6 X 2200MM | 4.10 | 1,49,872 | 6,14,940 | PUC |
| 2011-12 | 20110322 | CHINA P RP | 73045110 | BEARING QUALITY STEEL TUBE : SAE52100 (SIZE: 60.7*7.3) | 3.63 | 61,695 | 2,23,829 | PUC |
| 2011-12 | 20110412 | JAPAN | 73045910 | HOT FINISHED SEAMLESS CARBON STEEL PIPES GRADE SA106-B SIZE: NPS16 OD X S120 WT | 3.34 | 79,138 | 2,64,637 | PUC |
| 2011-12 | 20110324 | FRANCE | 98010013 | SEAMLESS CARBON STEEL PIPES TO SEPC SA 106 | 3.00 | 1,10,229 | 3,30,688 | PUC |
| 2011-12 | 20110328 | U S A | 73043931 | SEAMLESS CARBON STEEL PIPES (TO SPEC SA106)(219.1MM OD X 32MM WT X 6300MM) | 3.00 | 61,846 | 1,85,538 | PUC |
| 2011-12 | 20110408 | GERMANY | 73043119 | COLD DRAWN SEAMLESS HYDRAULIC AND PNEUMATIC LINE PIPES (ROUND 28.0X2.0X24.0) CO | 2.56 | 1,64,815 | 4,22,018 | PUC |
| 2011-12 | 20110413 | BRAZIL | 73049000 | CS SEAMLESS [NACE]PIPES FOR ONGC D-1 PROJECT,29 SMLS CS ASTM A106-B SOUR SERVIC | 2.17 | 89,242 | 1,93,745 | PUC |
| 2011-12 | 20110317 | ROMANIA | 98010013 | SEAMLESS CARBON STEEL PIPES(TO SPEC SA106)(S37/39/2010/GR6) (CIF RS.356915) | 2.00 | 1,78,457 | 3,56,914 | PUC |
| 2011-12 | 20110422 | ROMANIA | 98010013 | SEAMLESS CARBON STEEL PIPES (OD273.00X40.00X4500) TO SPEC SA106. (S37/29/2009-G | 2.00 | 1,23,918 | 2,47,836 | PUC |
| 2011-12 | 20110421 | SINGAPORE | 73042390 | SLIP, ROTARY DRILL PIPE SDHL 5-1/2 IN X 4-1/2 IN | 2.00 | 1,12,510 | 2,25,020 | PUC |
| 2011-12 | 20110401 | CHINA P RP | 73045120 | COLD DRAWN READY TO HONE PRECISION TUBE (140X160X5150MM LONG) | 2.00 | 1,42,968 | 2,85,935 | PUC |
| 2011-12 | 20110407 | CHINA P RP | 73042990 | SMLS CS ASTM A 106 GR B NACE PIPES (QTY 36 MTRS- UNIT PRICE20.30 USD/MTR) | 1.89 | 1,01,068 | 1,90,816 | PUC |
| 2011-12 | 20110401 | CHINA P RP | 73043119 | HONE TUBE DMNS OD(MM) 190 X ID (MM) 160 X LNGTH (MM) 6154 | 1.20 | 1,48,120 | 1,77,089 | PUC |
| 2011-12 | 20110330 | CHINA P RP | 73069011 | MILD STEEL TUBE SIZE:137/1500MM | 1.15 | 1,39,952 | 1,60,340 | PUC |
| 2011-12 | 20110406 | U K | 73049000 | SECONDARY CARBON STEEL SEAMLESS PIPES | 1.00 | 2,61,162 | 2,61,162 | PUC |
| 2011-12 | 20110423 | U K | 73049000 | 141.3MMODX110ID GRADE 3 PIPE ASTM A333/ SEAMLESS | 1.00 | 53,255 | 53,255 | PUC |
| 2011-12 | 20110423 | CHINA P RP | 73043931 | SEAMLESS CARBON STEEL PIPES [OD 159.00X30.00X5000]TO SPEC [SA106 [10MTRS @ 162. | 1.00 | 73,354 | 73,354 | PUC |
| 2011-12 | 20110421 | CHINA P RP | 73043119 | CARBON STEEL SEAMLESS PIPES 114.3 X 8.56 X 5500MM (33 MTR) | 1.00 | 34,590 | 34,590 | PUC |
| 2011-12 | 20110409 | CHINA P RP | 73049000 | CARBON STEEL SEAMLESS SECONDARY DEFECTIVE PIPES | 1.00 | 18,487 | 18,487 | PUC |
| 2011-12 | 20110323 | JAPAN | 73049000 | COLD DRAWN SEAMLESS STEEL TUBE (FOR PISTON PIN) GRADE SCM-415H (JIS) (O.D. 1 | 0.85 | 2,93,568 | 2,48,065 | PUC |
| 2011-12 | 20110412 | ITALY | 73043119 | TUBE 44.5X675 - CBM 10.0133.01.0 (SEAMLESS STEEL TUBE) (COMPONENTS FOR ROCK | 0.60 | 1,04,655 | 62,793 | PUC |
| 2011-12 | 20110330 | AUSTRIA | 73041110 | SEAMLESS PIPE DIA 4 SCHED 120 (OD 114,3 X 11,12MM) HOT ROLLED (GRADE ASTM A GR | 0.52 | 1,37,693 | 70,912 | PUC |
| 2011-12 | 20110407 | FRANCE | 73043911 | CS NACE SEAMLESS PIPES (ASTM A106 B) SIZE:3/4 | 0.50 | 1,06,698 | 53,349 | PUC |
| 2011-12 | 20110418 | CHINA P RP | 73041190 | SEAMLESS STEEL TUBES ST20.30MM X 8.102MM SCM415H | 0.32 | 2,36,731 | 76,701 | PUC |
| 2011-12 | 20110331 | GERMANY | 73064000 | COLD DRAWN SEAMLESS TUBE S31803 ASTMA789 SIZE:18.00X2.00 | 0.25 | 20,67,959 | 5,20,777 | PUC |
| 2011-12 | 20110421 | U S A | 73049000 | CARBON STEEL SECONDARY DEFECTIVE SEAMLESS PIPES | 0.10 | 20,090 | 2,009 | PUC |
| 2011-12 | 20110406 | JAPAN | 73049000 | CARBON STEEL SECONDARY SEAMLESS /WELDED PIPES MIX LOT | 0.10 | 13,560 | 1,356 | PUC |
| 2011-12 | 20110420 | KUWAIT | 73049000 | SECONDARY/DEFECTIVE CARBON STEEL PIPE SEAMLESS. | 0.01 | 24,200 | 242 | PUC |
| 2011-12 | 20110406 | SAUDI ARAB | 73049000 | SECONDARY SECONDD CARBON STEEL SEAMLESS/ WELDED PIPES MIXED THICKNESS MIXED LOT. | 0.01 | 16,000 | 160 | PUC |
| 2011-12 | 20110330 | CHINA P RP | 73049000 | CARBON STEEL SEAMLESS PIPE A106 GRADE B | 0.004 | 81,000 | 324 | PUC |
| 2011-12 | 20110409 | CHINA P RP | 73049000 | SECONDARY SECONDD CHOICE CARBON STEEL SEAMLESS PIPES MIXEDSIZE & MIXED LOT | 0.003 | 89,000 | 267 | PUC |
| 2011-12 | 20110409 | CHINA P RP | 73049000 | SECONDARY SECONDD CHOICE CARBON STEEL SEAMLESS PIPES MIXED SIZE & MIXED LOT | 0.003 | 87,667 | 263 | PUC |
| 2011-12 | 20110412 | CHINA P RP | 73042990 | 021W10652-000 CLAMP TUBE 3/4 OD WITH | 0.001 | 42,000 | 42 | PUC |
| 2011-12 | 20110513 | THAILAND | 73049000 | CARBON STEEL SEAMLESS/WELDED PIPES STOCK LOT (656 PIPE) | 1,945.00 | 25,460 | 4,95,19,621 | PUC |
| 2011-12 | 20110514 | CHINA P RP | 73043911 | 73043911 SEAMLESS CARBON STEEL HOLLOW | 1,810.00 | 48,353 | 8,75,18,493 | PUC |

**Import Data from DGCIS [All Countries PUC]
Apr 2009 to Jun 2012**

| Year | Date | Country | ITC-HS | Item-Des | Quantity (MT) | Price (Rs./MT) | Value (Rs) | PUC/ NPUC |
|---------|----------|------------|----------|---|---------------|----------------|--------------|--------------|
| 2011-12 | 20110510 | CHINA P RP | 73042390 | SEAMLESS STEEL EUE TUBINGS (TUBING 2 7/8 OD 6.5 PPF, L-80 EUE) 17314 PCS | 1,597.93 | 78,805 | 12,59,25,310 | PUC |
| 2011-12 | 20110430 | CHINA P RP | 73042990 | SEAMLESS PIPE 114.3X7.09MMX-46 3 LAYER POLYETHYLENE COATED | 1,574.95 | 81,368 | 12,81,51,004 | PUC |
| 2011-12 | 20110501 | CHINA P RP | 73043911 | 826.00 MT (35 X 40)SEAM | 1,313.00 | 52,082 | 6,83,83,968 | PUC |
| 2011-12 | 20110514 | CHINA P RP | 73043911 | 73043911 SEAMLESS CARBON STEEL HOLLOWES | 1,193.00 | 47,880 | 5,71,20,925 | PUC |
| 2011-12 | 20110421 | CHINA P RP | 73043119 | TUBES. OD 44.5MM* THK 7.10MM* LENGTH 10-12M GRADE SA210 GR C [119 PCS 1245.3 MT | 805.00 | 56,661 | 4,56,12,435 | PUC |
| 2011-12 | 20110524 | CHINA P RP | 73043911 | SEAMLESS CARBON STEEL TUBES(TOSPEC SA210) | 749.00 | 65,388 | 4,89,75,559 | PUC |
| 2011-12 | 20110510 | CHINA P RP | 73042390 | SEAMLESS STEEL EUE TUBINGS (TUBING 2 7/8 OD 6.5 PPF, L-80 EUE) 6651 PCS | 615.88 | 78,805 | 4,85,34,658 | PUC |
| 2011-12 | 20110526 | KOREA RP | 73069090 | SEAMLESS STEEL TUBES FOR HYDRAULIC CYLINDERS (SIZE: 160.00X10.00 FIX160X140X830 | 614.84 | 55,473 | 3,41,07,018 | PUC |
| 2011-12 | 20110511 | U K | 73042990 | CASING PIPE 5-1/2 20PPF P-110BUTT (634731 KGS)(1647 PCS)(ESSENTIAL CERTIFICATE | 612.79 | 56,673 | 3,47,28,315 | PUC |
| 2011-12 | 20110504 | CHINA P RP | 73043911 | SEAMLESS STEEL TUBES OF RELEVANT GRADE 34CRMO4 (SEAMLESS STEEL CYLINDER PIPES) | 581.25 | 54,468 | 3,16,59,790 | PUC |
| 2011-12 | 20110518 | CHINA P RP | 73043911 | SEAMLESS STEEL CYLINDER PIPE (34CRM04) SIZE:232MM X 5.4MM | 525.70 | 54,466 | 2,86,32,603 | PUC |
| 2011-12 | 20110516 | JAPAN | 73045920 | SEAMLESS ALLOY STEEL PIPES (PO.NO:FE-120- 7600001205) (OD127.00MM X 28.00MM | 512.00 | 2,236 | 11,44,755 | PUC |
| 2011-12 | 20110425 | QATAR | 73049000 | SECONDARY / DEFECTIVE CARBON STEEL SEAMLESS PIPE | 491.00 | 26,019 | 1,27,75,308 | PUC |
| 2011-12 | 20110518 | CHINA P RP | 73043911 | SEAMLESS STEEL CYLINDER PIPE (34CRM04) SIZE: 317MM X 7 MM | 464.26 | 58,067 | 2,69,58,049 | PUC |
| 2011-12 | 20110524 | SPAIN | 73043911 | SEAMLESS CARBON STEEL TUBES TO SPEC SA 210 (51X6.6MMX12150MM) (63994.050 MTR | 464.00 | 1,03,250 | 4,79,08,155 | PUC |
| 2011-12 | 20110507 | CHINA P RP | 73043911 | 73043911 S/L CARBON STEELTUBES(TOSPEC SA210) | 419.00 | 70,631 | 2,95,94,244 | PUC |
| 2011-12 | 20110503 | CHINA P RP | 73043911 | HOT FINISHED SEAMLESS TUBES (GRADE 37MN) SIZE: 232MM X 5.7MM | 411.00 | 48,573 | 1,99,63,639 | PUC |
| 2011-12 | 20110517 | CHINA P RP | 73043911 | SEAMLESS STEEL TUBES (34CRMO4) SIZE: 267MM X 6.5MM (O.NO.118/DC/SVB/GSA/2007- | 401.72 | 51,719 | 2,07,76,611 | PUC |
| 2011-12 | 20110503 | CHINA P RP | 73042990 | SEAMLESS PIPE 114.3 X 7.9MM X-46 3 LAYER POLYETHYLENE COATED | 373.26 | 73,257 | 2,73,43,873 | PUC |
| 2011-12 | 20110429 | MALAYSIA | 73043911 | COLD DRAWN SEAMLESS TUBES(SEAMLESS CARBON STEEL TUBES)OD WALL-TH 63.50 X 7,10 M | 331.00 | 1,12,832 | 3,73,47,469 | PUC |
| 2011-12 | 20110507 | CHINA P RP | 98010013 | SEAMLESS CARBON STEEL TUBES(TOSPEC SA210)(CIF.RS.2165493 | 295.00 | 73,082 | 2,15,59,150 | PUC |
| 2011-12 | 20110524 | CHINA P RP | 73043911 | SEAMLESS CARBON STEELTUBES (TOSPEC SA210) | 289.00 | 75,758 | 2,18,93,924 | PUC |
| 2011-12 | 20110427 | CHINA P RP | 73043911 | SEAMLESS STEEL CYLINDER PIPE (37MN) SIZE : 139.8MM X 4.5MM | 278.00 | 48,872 | 1,35,86,294 | PUC |
| 2011-12 | 20110503 | CHINA P RP | 73049000 | PRIME CARBON STEEL SEAMLESS PIPES TO ASTM A 106 GRADE B | 248.00 | 33,862 | 83,97,862 | PUC |
| 2011-12 | 20110524 | CHINA P RP | 73042400 | SEAMLESS PIPE 51MM O.D 2.9 WT 4040MM LG (USD 3.824/MTR - TOTAL QTY- 71689.80 MT | 247.00 | 49,945 | 1,23,36,381 | PUC |
| 2011-12 | 20110428 | JAPAN | 73045110 | CARBON SEAMLESS PIPES, GRADE API 5L/ASTM A106 GR.B - SIZE : OD(MM)XWT(MM)X LEN | 246.00 | 42,414 | 1,04,33,905 | PUC |
| 2011-12 | 20110523 | CHINA P RP | 73045930 | SEAMLESS STEEL GAS CYLINDERS TUBES : SIZE : 267MM X 6.5MM | 244.00 | 55,450 | 1,35,29,860 | PUC |
| 2011-12 | 20110501 | CHINA P RP | 73049000 | SEAMLESS STEEL TUBE FOR | 241.27 | 59,850 | 1,44,40,010 | PUC |
| 2011-12 | 20110514 | UKRAINE | 73042390 | CARBON STEEL SEAMLESS PIPES M.S SECONDARY/ DEFECTIVE (219.1X12.7X10670-11800] | 241.00 | 27,178 | 65,49,816 | PUC |
| 2011-12 | 20110520 | CHINA P RP | 73049000 | CARBON STEEL SEAMLESS PIPES CONFORMING TO ASTM 106 GRADE B | 241.00 | 32,474 | 78,26,114 | PUC |
| 2011-12 | 20110524 | INDONESIA | 73043911 | 73043911 S/L C/S PIPES(TOSPEC SA-106) | 239.00 | 53,933 | 1,28,89,961 | PUC |
| 2011-12 | 20110524 | KOREA RP | 73043939 | SEAMLESS STEEL PIPES 34CR MO DIA OD 267.00MM X 6.00 MM | 233.00 | 74,731 | 1,74,12,323 | PUC |
| 2011-12 | 20110526 | CHINA P RP | 73049000 | SEAMLESS PIPE 60.3 OD 3.2MM | 222.73 | 50,913 | 1,13,39,595 | PUC |
| 2011-12 | 20110525 | CHINA P RP | 73049000 | HOT FINISHED SEAMLESS STEEL TUBE GRADE 37MN | 216.00 | 56,253 | 1,21,50,753 | PUC |
| 2011-12 | 20110427 | CHINA P RP | 73042400 | CARBON STEEL SEAMLESS HOT FINISHE PIPES (MOTHER HOLLOWES) DIN 17175 - 42 MM OD | 209.00 | 47,860 | 1,00,02,685 | PUC |
| 2011-12 | 20110524 | CHINA P RP | 73042990 | 5 1/2 , 17#, J55 BTC SMLS R2, SEAMLESS TUBING (798 PCS, 114BDLS) 8098.50 METERS | 204.91 | 50,386 | 1,03,24,376 | PUC |
| 2011-12 | 20110501 | CHINA P RP | 73049000 | SEAMLESS STEEL TUBE FOR | 201.06 | 60,300 | 1,21,23,918 | PUC |
| 2011-12 | 20110510 | CHINA P RP | 73043929 | HOT ROLLED SEAMLESS STEEL TUBE GRADE Q345A SIZE: 133.0 X 4.5 MM | 189.00 | 49,407 | 93,38,002 | PUC |
| 2011-12 | 20110501 | CHINA P RP | 73049000 | SEAMLESS STEEL TUBE FOR | 188.96 | 59,850 | 1,13,09,256 | PUC |
| 2011-12 | 20110512 | U S A | 73049000 | SECONDARY DEFECTIVE CARBON STEEL PIPE (M.S) | 181.00 | 25,755 | 46,61,744 | PUC |
| 2011-12 | 20110510 | CHINA P RP | 73049000 | COLD FINISHED SEAMLESS AL LOY STEEL TUBES ASME SA 21 3, GR.T12, OD 38.10MM X WT | 180.17 | 91,397 | 1,64,67,274 | PUC |

**Import Data from DGCIS [All Countries PUC]
Apr 2009 to Jun 2012**

| Year | Date | Country | ITC-HS | Item-Des | Quantity (MT) | Price (Rs./MT) | Value (Rs) | PUC/ NPUC |
|---------|----------|--------------|----------|---|---------------|----------------|-------------|--------------|
| 2011-12 | 20110523 | ITALY | 98010013 | SEAMLESS CARBON STEEL PIPES TO SPEC SA106(BXASMECS00000C0001) S37/01/2011) 44 | 178.00 | 64,764 | 1,15,28,067 | PUC |
| 2011-12 | 20110428 | CHINA P RP | 73049000 | CARBON STEEL SEAMLESS PIPE | 178.00 | 38,545 | 68,61,062 | PUC |
| 2011-12 | 20110507 | CHINA P RP | 73043911 | 73043911 S/L CARBON STEEL TUBES(TOSPEC SA210) | 169.00 | 65,344 | 1,10,43,069 | PUC |
| 2011-12 | 20110429 | CHINA P RP | 73045110 | BEARING QUALITY STEEL TUBE SAE-52100 (SP 6006 OR) SIZE 55.25 X 47.50 MM | 164.51 | 75,538 | 1,24,26,714 | PUC |
| 2011-12 | 20110504 | KOREA RP | 73045110 | BEARING QUALITY STEEL TUBE SAE-52100 (6200 IR) SIZE 16.80 X9.83 MM | 163.72 | 76,974 | 1,26,01,938 | PUC |
| 2011-12 | 20110429 | CHINA P RP | 73042990 | SEAMLESS CASING PIPES,SIZE 155.58MM X 22.23 MM P110 | 158.05 | 52,660 | 83,22,951 | PUC |
| 2011-12 | 20110518 | U S A | 73049000 | SECONDARY SEAMLESS CARBON STEEL TUBES | 153.00 | 25,711 | 39,33,788 | PUC |
| 2011-12 | 20110525 | CHINA P RP | 73042990 | CARBON STEEL SEAMLESS TUBE/PIPE HOT FINISHED ASTM A106 GRADE B/API5 , SIZE:48MM | 153.00 | 47,497 | 72,66,998 | PUC |
| 2011-12 | 20110525 | FRANCE | 73041910 | SECONDARY CARBON STEEL SEAMLES PIPES 12-13 M ASTM A 106 GR B HEAT NO J45786 & J | 151.00 | 25,711 | 38,82,397 | PUC |
| 2011-12 | 20110428 | CHINA P RP | 73045910 | CARBON SEAMLESS STEEL TUBES ASME SA210M GR. A1 SIZE 38.1 OD X 4.06 MIN. WT X 1 | 149.19 | 54,159 | 80,80,016 | PUC |
| 2011-12 | 20110509 | CHINA P RP | 73045910 | SEAMLESS STEEL TUBE ASME SA210M GR. A1 SIZE 38.1 OD X 4.06WT X 10000 LG | 147.83 | 54,025 | 79,86,467 | PUC |
| 2011-12 | 20110512 | BELGIUM | 73049000 | REJECTED/DEFECTIVE SEAMLESS STEEL TUBES, SECOND CHOICE | 147.00 | 26,861 | 39,48,544 | PUC |
| 2011-12 | 20110425 | CHINA P RP | 73043119 | TUBES.SA210 GR A1 76.2MMX7.60MMX10-12MTR 389 PCS-4307 MTR=\$. 17.270 /MTR) | 146.00 | 54,631 | 79,76,122 | PUC |
| 2011-12 | 20110506 | CHINA P RP | 73043911 | CARBON STEEL SEAMLESS PIPES-SA106GRC OD559 X 93 X 3000 | 143.33 | 1,51,474 | 2,17,10,052 | PUC |
| 2011-12 | 20110409 | GERMANY | 73043911 | SEAMLESS CARBON STEEL TUBES(TO SPEC SA 106)(BOILER QUALITYSEAMLESS CARBON STEEL | 138.00 | 97,826 | 1,34,99,964 | PUC |
| 2011-12 | 20110511 | ITALY | 73049000 | SECONDARY DEFECTIVE M.S.PIPES OF MIX SIZES | 137.00 | 22,981 | 31,48,350 | PUC |
| 2011-12 | 20110525 | INDONESIA | 73042990 | TUBING 4-1/2 12.6 PPF L-80 13 CR NSCT(ECIM 20110513003 DT 13.5.2011) | 135.78 | 2,16,086 | 2,93,39,959 | PUC |
| 2011-12 | 20110518 | CHINA P RP | 73043919 | CARBON STEEL SEAMLESS TUBES ASTM A 179 (SIZE 25.4 MM OD X 2.77 MM THK X 9.1 MT | 135.52 | 47,140 | 63,88,459 | PUC |
| 2011-12 | 20110506 | U ARAB EMTS | 73049000 | M.S LOW CARBON SEC.DEF SEAMLESS PIPES | 135.00 | 25,724 | 34,72,789 | PUC |
| 2011-12 | 20110418 | U ARAB EMTS | 73041990 | SECONDAERY/DEFECTIVE CARBON STEEL SEAMLESS PIPES | 134.00 | 27,270 | 36,54,231 | PUC |
| 2011-12 | 20110429 | CHINA P RP | 73049000 | SECONDARY SEAMLESS CARBON STEEL TUBES | 131.00 | 25,825 | 33,83,115 | PUC |
| 2011-12 | 20110517 | CHINA P RP | 73049000 | CARBON STEEL SEAMLESS PIPE API SPEC 5L B PSL 1/ASTM A106 B | 130.00 | 28,298 | 36,78,696 | PUC |
| 2011-12 | 20110425 | MALAYSIA | 73049000 | SEAMLESS PIPE 152.4 MM X 20 MM [2 PCS] | 129.00 | 48,589 | 62,68,005 | PUC |
| 2011-12 | 20110506 | CHINA P RP | 73069090 | CARBON STEEL SEAMLESS PIPES GRADE A106 GR B | 129.00 | 34,069 | 43,94,939 | PUC |
| 2011-12 | 20110506 | CHINA P RP | 73043911 | 73043911 SEAMLESS TUBES (CARBON STEEL)TOSPEC SA210,SA192 | 127.00 | 75,622 | 96,04,026 | PUC |
| 2011-12 | 20110429 | CHINA P RP | 73043919 | CARBON STEEL SEAMLESS TUBES ASTM A 179 (SIZE 27 MM OD X 2.50 MM THK X 10.5 - | 126.00 | 45,870 | 57,79,608 | PUC |
| 2011-12 | 20110519 | CHINA P RP | 73049000 | C. S. GALVANIZING SEAMLESS PIPES GRADE ASTM A106 GR.B/API5LPSL1 GR.B/ASTM A53 G | 126.00 | 38,935 | 49,05,846 | PUC |
| 2011-12 | 20110428 | ITALY | 73041990 | ALLOY STEEL SEAMLESS PIPES. ASTM A106, GR.B SMLS PIPES SIZE:24 X9.53MM THK, STO | 125.40 | 1,28,859 | 1,61,59,053 | PUC |
| 2011-12 | 20110502 | CHINA P RP | 73042400 | MS SEAMLESS PIPE 48.3MM X 5.5MM -5.36MTR (UNIT PRICE USD 6.38/MTR-TOTAL QTY 202 | 118.00 | 49,322 | 58,19,954 | PUC |
| 2011-12 | 20110510 | U S A | 73069090 | SECONDARY AND DEFECTIVE M.S.PIPES PSINO. 08186/K/D/102940/B DT.14.03.11. WLSI | 114.00 | 20,532 | 23,40,634 | PUC |
| 2011-12 | 20110518 | CHINA P RP | 73043911 | SEAMLESS STEEL CYLINDER PIPE (34CRM04) SIZE: 232MM X5.8MM | 113.86 | 54,466 | 62,01,459 | PUC |
| 2011-12 | 20110430 | JAPAN | 73049000 | SEAMLESS CARBON STEEL PIPE- ASME SA 106, GR.B, OD 273.1MM XWT 39.7MM X F/L 8600 | 111.55 | 8,283 | 9,23,964 | PUC |
| 2011-12 | 20110512 | CHINA P RP | 73042400 | SEAMLESS PIPE 60.3OD X 3.2MM (UNIT PRICE USD 5.1/MTR - TOTAL QTY 24705MTR - 549 | 111.00 | 51,079 | 56,69,798 | PUC |
| 2011-12 | 20110504 | UKRAINE | 73049000 | SECONDARY CARBON STEEL SEAMLESS PIPES, MIX SIZES | 109.00 | 26,413 | 28,79,017 | PUC |
| 2011-12 | 20110519 | SOUTH AFRICA | 73041990 | SEC REJ (MILED STEEL PIPES) | 108.00 | 22,719 | 24,53,697 | PUC |
| 2011-12 | 20110524 | SOUTH AFRICA | 73041990 | SEC REJ (MILED STEEL PIPES) | 107.00 | 22,766 | 24,35,950 | PUC |
| 2011-12 | 20110502 | FRANCE | 73043911 | HOT FINISHED SEAMLESS CARBON STEEL TUBES(TO SPEC SA210) | 105.00 | 67,723 | 71,10,959 | PUC |
| 2011-12 | 20110504 | CHINA P RP | 73043911 | SEAMLESS STEEL TUBES OF RELEVANT GRADE 34CRM04 (SEAMLESS STEEL CYLINDER PIPES) | 104.93 | 54,468 | 57,15,311 | PUC |
| 2011-12 | 20110514 | U K | 73049000 | SECONDARY SECOND CARBON STEEL SEAMLESS / WELDED PIPES (MIXED LOT) | 103.00 | 25,309 | 26,06,800 | PUC |
| 2011-12 | 20110523 | GERMANY | 73049000 | SECONDARY SECOND CHOICE CARBON STEEL SEAMLESS PIPES | 102.00 | 27,107 | 27,64,938 | PUC |
| 2011-12 | 20110520 | CHINA P RP | 73049000 | COLD DRAWN SEAMLESS STEEL PIPES GRADE ASTM A106 GR.B | 101.00 | 33,278 | 33,61,099 | PUC |

**Import Data from DGCIS [All Countries PUC]
Apr 2009 to Jun 2012**

| Year | Date | Country | ITC-HS | Item-Des | Quantity (MT) | Price (Rs./MT) | Value (Rs) | PUC/ NPUC |
|---------|----------|-------------|----------|--|---------------|----------------|------------|--------------|
| 2011-12 | 20110507 | CHINA P RP | 73043911 | 73043911 S/L CARBON STEEL TUBES(TOSPEC SA210) | 100.00 | 65,306 | 65,30,629 | PUC |
| 2011-12 | 20110502 | CHINA P RP | 73049000 | CARBON STEEL SEAMLESS PIPE ASTM A106 GR.B SIZE 21.34 MM X3.7 MM X 5-5.8M | 98.97 | 49,050 | 48,54,233 | PUC |
| 2011-12 | 20110501 | CHINA P RP | 73049000 | SEAMLESS STEEL TUBE FOR | 98.37 | 59,850 | 58,87,445 | PUC |
| 2011-12 | 20110525 | BELGIUM | 73049000 | HOT FINISHED SEAMLESS STEEL TUBE 34CRMO4 | 98.00 | 53,569 | 52,49,793 | PUC |
| 2011-12 | 20110526 | CHINA P RP | 73049000 | SEAMLESS CARBON STEEL PIPES (32MM O/D X 7MM I/D X4.2 METER LENGTH) | 98.00 | 46,603 | 45,67,119 | PUC |
| 2011-12 | 20110507 | CHINA P RP | 73049000 | CARBON STEEL SEAMLESS PIPES AS PER ASTM A106 GRB/API 5L GRB/A53GRB | 98.00 | 33,773 | 33,09,733 | PUC |
| 2011-12 | 20110525 | CHINA P RP | 73049000 | HOT FINISHED SEAMLESS STEEL TUBE GRADE 34CRMO4 | 96.00 | 53,268 | 51,13,761 | PUC |
| 2011-12 | 20110519 | ITALY | 73049000 | COLD DRAWN SEAMLESS STEEL TUBES 145.00X10.00 E355 | 95.98 | 76,358 | 73,29,153 | PUC |
| 2011-12 | 20110509 | CHINA P RP | 73049000 | HOT FINISH CARBON STEEL SEAMLESS MOTHER PIPE GRADE ST35.8 SIZE 27.0 MM X 3.0 MM | 95.04 | 49,275 | 46,82,948 | PUC |
| 2011-12 | 20110502 | CHINA P RP | 73041910 | SEAMLESS STEEL PIPES ASTM 106 GR.B/API 5L GR.B 273MMX30MM | 95.00 | 33,247 | 31,58,482 | PUC |
| 2011-12 | 20110510 | U S A | 73069090 | SECONDARY AND DEFECTIVE M.S.PIPE PSI NO. 08186/K/D/102939/BDT 14/3/11 WORLD WID | 93.00 | 20,443 | 19,01,160 | PUC |
| 2011-12 | 20110524 | CHINA P RP | 73045920 | SEAMLESS STEEL PIPES, BLACK LACQUER COATED, GRADE ST 52.3 DIN 1629,SIZE SPEC.13 | 92.00 | 56,474 | 51,95,640 | PUC |
| 2011-12 | 20110425 | CHINA P RP | 73043119 | SKIVED AND BURNISHED TUBES(180X210X8500MMX3PCS.) | 87.53 | 19,949 | 17,46,145 | PUC |
| 2011-12 | 20110513 | CHINA P RP | 73043129 | HYDRAULIC CYLINDER TUBE 110*95(FOR CAPTIVE CONSUMPTION) | 86.00 | 18,123 | 15,58,601 | PUC |
| 2011-12 | 20110518 | U S A | 73049000 | SECONDARY DEFECTIVE CARBON STEEL SEAMLESS PIPES, | 83.00 | 26,689 | 22,15,178 | PUC |
| 2011-12 | 20110514 | CHINA P RP | 73049000 | SECONDARY SECOND CARBON STEEL SEAMLESS / WELDED PIPES (MIXED LOT) | 83.00 | 25,627 | 21,27,076 | PUC |
| 2011-12 | 20110502 | U S A | 73049000 | SECONDARY SECOND CARBON STEEL SEAMLESS/ WELDED PIPES, MIXED THICKNESS MIXED LOT. | 80.00 | 25,267 | 20,21,343 | PUC |
| 2011-12 | 20110519 | CHINA P RP | 73042990 | BEARING SEAMLESS STEEL TUBES, 6205 OR | 79.83 | 78,629 | 62,76,647 | PUC |
| 2011-12 | 20110524 | U S A | 73042990 | 2 7/8 , 6.5#, J 55, EUE SMLS R2, SEAMLESS TUBING (837 PCS, 46 BDLS), 8031.62 ME | 77.68 | 54,904 | 42,64,789 | PUC |
| 2011-12 | 20110426 | CHINA P RP | 73049000 | SECONDARY DEFECTIVE SEAMLESS PIPES - 102X15MM | 75.00 | 23,210 | 17,40,772 | PUC |
| 2011-12 | 20110513 | CHINA P RP | 73049000 | CARBON STEEL SEAMLESS TUBES DIN 17175 GRADE ST. 35.8 SIZE OD27 MM X WT 3 MM X L | 74.00 | 49,695 | 36,77,454 | PUC |
| 2011-12 | 20110422 | CHINA P RP | 73049000 | ALLOY STEEL SEAMLESS PIPE (151MM [-0.5%+1.5%] WALL THICKNESS17.5MM [-0%+16%]LEN | 74.00 | 38,743 | 28,66,954 | PUC |
| 2011-12 | 20110428 | CHINA P RP | 73045910 | CARBON STEEL SEAMLESS TUBES ASME SA210M GR. A1 SIZE 63.5 OD X 4.06 MIN. WT X 1 | 73.17 | 54,900 | 40,16,928 | PUC |
| 2011-12 | 20110425 | CHINA P RP | 73049000 | CARBON STEEL SEAMLESS PIPE ASTM A106-B/API5L GR B | 73.00 | 33,450 | 24,41,871 | PUC |
| 2011-12 | 20110501 | CHINA P RP | 73049000 | SEAMLESS STEEL TUBE FOR | 72.47 | 58,050 | 42,06,884 | PUC |
| 2011-12 | 20110519 | CHINA P RP | 73043911 | HOT FINISHED SEAMLESS TUBES (GRADE 37MN) SIZE:232MM X 5.7MM | 70.06 | 48,614 | 34,05,798 | PUC |
| 2011-12 | 20110426 | CHINA P RP | 73049000 | CARBON STEEL SEAMLESS PIPES ACC TO API 5L/ASTM A106 GR.B (ASPER INVOICE) | 70.00 | 48,600 | 34,01,979 | PUC |
| 2011-12 | 20110426 | CHINA P RP | 73049000 | CARBON STEEL SECONDARY PRECISION ERW PIPES | 70.00 | 35,696 | 24,98,730 | PUC |
| 2011-12 | 20110428 | JAPAN | 73049000 | BEARING QUALITY STEEL TUBES SAE52100 OD62.90MM X WT4.85MM | 67.72 | 94,045 | 63,68,462 | PUC |
| 2011-12 | 20110524 | ITALY | 73049000 | COLD DRAWN SEAMLESS STEEL TUBE 92.50 X 7.75 E355 +SR 5000-5800 | 66.82 | 1,16,066 | 77,55,949 | PUC |
| 2011-12 | 20110428 | U ARAB EMTS | 73045110 | COLD DRAWN SEAMLESS CARBON STEEL TUBES ASTM A 519 GRADE SAE5130SR (SIZE: 88.90 | 66.00 | 60,317 | 39,80,892 | PUC |
| 2011-12 | 20110428 | CHINA P RP | 73049000 | CARBON STEEL SEAMLESS PIPE | 66.00 | 41,951 | 27,68,746 | PUC |
| 2011-12 | 20110511 | CHINA P RP | 73045910 | TUBES FOR MANUFACTURING OF BEARING RING--6203OR--40.70X4.21OR--40.70X4.21OTHER | 65.68 | 68,462 | 44,96,225 | PUC |
| 2011-12 | 20110524 | CHINA P RP | 98010013 | 98010013 S/L C/S TUBES (TOSPEC SA-210) | 63.00 | 67,273 | 42,38,190 | PUC |
| 2011-12 | 20110507 | CHINA P RP | 73043119 | SUPPLY OF COLD DRAWN SEAMLESS TUBES (38.1 X 4.50 X 8M) | 62.11 | 71,919 | 44,66,967 | PUC |
| 2011-12 | 20110518 | CHINA P RP | 73041110 | CS SEAMLESS TUBE SA-179 - 25.40/D X 2.77 WT X 12000 MM LG | 61.70 | 60,018 | 37,03,006 | PUC |
| 2011-12 | 20110506 | CHINA P RP | 73041990 | SEAMLESS (CARBON STEEL) PIPES AS PER AP1 5L GR.B/ASTM A 106GR.B 8 SCH140 X 219M | 60.00 | 48,133 | 28,88,007 | PUC |
| 2011-12 | 20110518 | CHINA P RP | 73049000 | CARBON SEAMLESS STEEL PIPES STOCKLOT MIX SIZE | 60.00 | 29,579 | 17,74,744 | PUC |
| 2011-12 | 20110519 | ITALY | 73069011 | MILD STEEL TUBE GRADE ST 52.3 DIN-2393 SIZE: 130.32 X 7.57 X 5820 (QTY 986.00 M | 59.00 | 98,237 | 57,95,972 | PUC |
| 2011-12 | 20110517 | U ARAB EMTS | 73049000 | SECONDARY DEFECTIVE M.S. SEAMLESS PIPES | 57.00 | 25,075 | 14,29,251 | PUC |
| 2011-12 | 20110516 | ITALY | 73049000 | SECONDARY CARBON STEEL SEAMLESS PIPES, MIXED SIZES | 56.00 | 26,309 | 14,73,292 | PUC |

**Import Data from DGCIS [All Countries PUC]
Apr 2009 to Jun 2012**

| Year | Date | Country | ITC-HS | Item-Des | Quantity (MT) | Price (Rs./MT) | Value (Rs) | PUC/ NPUC |
|---------|----------|--------------|----------|---|---------------|----------------|------------|--------------|
| 2011-12 | 20110507 | CHINA P RP | 73049000 | SECONDARY DEFECTIVE CARBON STEEL SEAMLESS PIPES | 56.00 | 25,738 | 14,41,340 | PUC |
| 2011-12 | 20110519 | U K | 73069090 | SECONDARY & DEFECTIVE M.S. PIPES PSINO. 08186/K/D/103067/B DT.15.03.11 WLSI G | 54.00 | 20,833 | 11,24,995 | PUC |
| 2011-12 | 20110521 | GERMANY | 73049000 | SECONDARY SECOND CHOICE CARBON STEEL SEAMLESS/WELDED PIPES | 53.20 | 25,438 | 13,53,301 | PUC |
| 2011-12 | 20110503 | PUERTO RICO | 73049000 | CARBON SEAMLESS STEEL PIPE DIA 168.3(O.D) X 133.3(I.D) X17.5MM THK S355J2H,EN10 | 53.00 | 44,846 | 23,76,832 | PUC |
| 2011-12 | 20110523 | OMAN | 73069090 | SECONDARY & DEFECTIVE MS PIPES | 53.00 | 21,024 | 11,14,257 | PUC |
| 2011-12 | 20110516 | CHINA P RP | 73049000 | SECONDARY CARBON STEEL SEAMLESS PIPES IN MIXED SIZES | 53.00 | 29,113 | 15,42,969 | PUC |
| 2011-12 | 20110507 | CHINA P RP | 73045110 | STEEL SEAMLESS TUBES - OD: 27MM, WT: 3MM, L: 11-11.8M | 52.00 | 51,312 | 26,68,230 | PUC |
| 2011-12 | 20110503 | CHINA P RP | 73043119 | NON ALLOY STEEL SEAMLESS PIPES API 5L GRADE B 73.0MMX9.53MM | 52.00 | 44,374 | 23,07,423 | PUC |
| 2011-12 | 20110523 | CHINA P RP | 73043119 | NON ALLOY STEEL SEAMLESS PIPES API 5L GRADE B 73.0MMX9.53MM | 52.00 | 43,901 | 22,82,856 | PUC |
| 2011-12 | 20110525 | ROMANIA | 73043921 | 73043921 S/L C/S PIPES(TOSPEC SA106) | 51.00 | 67,337 | 34,34,210 | PUC |
| 2011-12 | 20110519 | SOUTH AFRICA | 73041990 | SEC REJ (MILED STEEL PIPES) | 51.00 | 22,932 | 11,69,511 | PUC |
| 2011-12 | 20110521 | CHINA P RP | 73049000 | HOT FINISHED CARBON STEEL SEAMLESS TUBES DIN17175 ST 35.8 SIZE OD 33.4 MM X THK | 51.00 | 47,991 | 24,47,530 | PUC |
| 2011-12 | 20110426 | CHINA P RP | 73049000 | SECONDARY CARBON STEEL PIPE SEAMLESS | 51.00 | 25,351 | 12,92,892 | PUC |
| 2011-12 | 20110519 | ITALY | 73043121 | SEAMLESS COLD DRAWN TUBES FOR HYDRAULIC CYLINDERS 58 NOS 141,00X****X10,50MM | 50.44 | 1,02,801 | 51,84,867 | PUC |
| 2011-12 | 20110516 | GERMANY | 73049000 | CARBON STEEL SECONDARY DEFECTIVE SEAMLESS PIPE | 50.00 | 27,705 | 13,85,269 | PUC |
| 2011-12 | 20110505 | CHINA P RP | 73049000 | SEAMLESS SQUARE TUBE (SIZE: 135X135*10 MM) (CAPTIVE CONSUMPTION) | 50.00 | 41,864 | 20,93,193 | PUC |
| 2011-12 | 20110503 | CHINA P RP | 73049000 | SECONDARY SEAMLESS CARBON STEEL PIPES | 50.00 | 34,365 | 17,18,231 | PUC |
| 2011-12 | 20110504 | GERMANY | 73041990 | CARBON STEEL SECONDARY DEFECTIVE SEAMLESS PIPE | 49.27 | 25,711 | 12,66,783 | PUC |
| 2011-12 | 20110429 | KUWAIT | 73049000 | SECONDARY CARBON STEEL PIPE SEAMLESS | 49.00 | 25,375 | 12,43,363 | PUC |
| 2011-12 | 20110427 | CHINA P RP | 73049000 | CARBON STEEL SEAMLESS MOTHER PIPES GRADE DIN 17175 ST35.8 SIZE 33.4 MM X 3.38 M | 48.17 | 49,268 | 23,73,289 | PUC |
| 2011-12 | 20110507 | CHINA P RP | 73045910 | BEARING SEAMLESS STEEL TUBE 61905OR 42.65*3.30OTHER DETAIL AS PER INVOICE | 47.20 | 91,187 | 43,04,408 | PUC |
| 2011-12 | 20110509 | FRANCE | 73049000 | HOT FINISHED SEAMLESS STEEL TUBES ASME SA 210, GR. C, OD 54MM X WT 9.14MM X F/L | 47.00 | 77,065 | 36,22,060 | PUC |
| 2011-12 | 20110428 | CHINA P RP | 73049000 | SEAMLESS CARBON STEEL PIPES API 5L/ ASTM A 106 GRADE-B (32MM O/D X 7MM I/D | 47.00 | 46,746 | 21,97,056 | PUC |
| 2011-12 | 20110507 | U ARAB EMTS | 73049000 | SECONDARY SECOND CHOICE CARBON STEEL SEAMLESS/WELDED PIPES | 46.00 | 25,533 | 11,74,535 | PUC |
| 2011-12 | 20110510 | CHINA P RP | 73045110 | COLD DRAWN CARBON STEEL SEAMLESS TUBES - SIZE: 33.4 X 3.4 X10000-11800 | 46.00 | 51,001 | 23,46,052 | PUC |
| 2011-12 | 20110516 | CHINA P RP | 73042990 | COLD DRAWN SEAMLESS CARBON STEEL HEAT EXCHANGER TUBES ALU &TITANIUM KILLED SIZE | 45.25 | 77,582 | 35,10,442 | PUC |
| 2011-12 | 20110517 | U S A | 73049000 | CARBON STEEL SEAMLESS PIPES API SPEC 5L B PSL 1/ASTM A 106 B | 45.00 | 40,048 | 18,02,143 | PUC |
| 2011-12 | 20110503 | JAPAN | 73043119 | COLD DRAWN SEAMLESS STEEL TUBES AS PER DIN STD 2391 32 MM OD X 23 MM ID | 44.00 | 56,571 | 24,89,143 | PUC |
| 2011-12 | 20110516 | KOREA RP | 73049000 | SECONDARY SECOND CHOICE CARBON STEEL SEAMLESS PIPE FITTING MIX SIZE MI | 44.00 | 28,241 | 12,42,594 | PUC |
| 2011-12 | 20110422 | U ARAB EMTS | 73049000 | MS SEAMLESS NON ROUND PIPES RECTANGULAR SECTION TUBO PER STRUTTURE 200X120X16 1 | 43.35 | 83,494 | 36,19,625 | PUC |
| 2011-12 | 20110519 | ITALY | 73049000 | COLD DRAWN SEAMLESS STEEL TUBES 130.50X7.75 E355 | 43.30 | 84,087 | 36,40,956 | PUC |
| 2011-12 | 20110531 | ITALY | 98010013 | 98010013 SEAMLESS PIPES(A/S)TO SPEC.SA106(CIF:5247736) | 43.00 | 1,22,040 | 52,47,735 | PUC |
| 2011-12 | 20110527 | SINGAPORE | 73069090 | SECONDARY / STEEL PIPES | 43.00 | 22,565 | 9,70,308 | PUC |
| 2011-12 | 20110518 | CHINA P RP | 73045930 | SEAMLESS HOT ROLLED AND MACHINED QUALITY STEEL PIPES(SIZE:219.1*35.00 MM) GRADE | 43.00 | 1,10,149 | 47,36,419 | PUC |
| 2011-12 | 20110502 | CHINA P RP | 73049000 | COLD DRAWN SEAMLESS CARBON STEEL TUBES38.10 X 8.30 X 5100-5800 MM | 43.00 | 55,184 | 23,72,915 | PUC |
| 2011-12 | 20110512 | CHINA P RP | 73045110 | PRIME CDS HOLLOW SEAMLESS TUBES SIZE : OD 49.9 MM X THK 5.8X LENGHT 4650 MM) | 42.00 | 51,693 | 21,71,100 | PUC |
| 2011-12 | 20110525 | CHINA P RP | 73043919 | CARBON STEEL SEAMLESS TUBES ASTM A 179 (SIZE 51 MM OD X 2.50 MM THK X 5.377 MT | 41.15 | 49,055 | 20,18,692 | PUC |
| 2011-12 | 20110518 | ITALY | 73049000 | SUPPLY OF STEEL PIPES 151 PIPES-B 36.10,ASTM A 106, GR.B,SMLS,BE, ACAT3, DIA 14 | 39.66 | 1,09,233 | 43,32,610 | PUC |
| 2011-12 | 20110318 | CHINA P RP | 73042390 | ACCOMODATION ITEMS 1-17-EXCEPT ITEM NO.6 FOR HULL 11139, (MARINE STEEL PIPES) | 39.47 | 58,864 | 23,23,525 | PUC |
| 2011-12 | 20110425 | CHINA P RP | 73043119 | SKIVED & BURNISHED TUBES(ID-100MM X OD-115MM.) | 39.02 | 36,642 | 14,29,947 | PUC |
| 2011-12 | 20110521 | CHINA P RP | 73045110 | STEEL TUBE DIA 4.76X0.60 MM WITH COPPER COATED (CAPTIVE CONSUMPTION) | 38.01 | 62,118 | 23,61,345 | PUC |

**Import Data from DGCIS [All Countries PUC]
Apr 2009 to Jun 2012**

| Year | Date | Country | ITC-HS | Item-Des | Quantity (MT) | Price (Rs./MT) | Value (Rs) | PUC/ NPUC |
|---------|----------|-------------|----------|---|---------------|----------------|------------|--------------|
| 2011-12 | 20110502 | ITALY | 73043121 | SEAMLESS COLD DRAWN TUBES FOR HYDRAULIC CYLINDERS 14 NOS 90.68 MTS 141,00X****X | 36.77 | 1,05,816 | 38,90,964 | PUC |
| 2011-12 | 20110501 | CHINA P RP | 73049000 | 4.000X2.000X1.000 4140 1 | 36.00 | 1,46,996 | 52,91,870 | PUC |
| 2011-12 | 20110504 | CHINA P RP | 73049000 | CARBON STEEL SEAMLESS PIPES | 36.00 | 33,522 | 12,06,792 | PUC |
| 2011-12 | 20110519 | CHINA P RP | 73043119 | SEAMLESS COLD DRAWN TUBES SAE52100/GCR15 SIZES OD X WT IN MM 48.50 X 5.77 [C 1 | 35.52 | 72,073 | 25,60,035 | PUC |
| 2011-12 | 20110428 | CHINA P RP | 73045910 | CARBON SEAMLESS STEEL TUBES ASME SA210M GR. A1 SIZE 50.8 OD X 4.06 MIN. WT X 6 | 34.03 | 53,319 | 18,14,643 | PUC |
| 2011-12 | 20110524 | CHINA P RP | 73069090 | BEARNG SEAMLESS CUT TUBES - 6202 IR - CUT BLANKS (COMPOSITION-C-0.93-1.05, MN- | 33.89 | 1,63,125 | 55,27,637 | PUC |
| 2011-12 | 20110510 | CHINA P RP | 73045110 | STEEL TUBE DIA 4.76 X 0.60MM WITH COPPER COATED(CAPTIVE CONSUMPTION) | 33.87 | 63,945 | 21,65,625 | PUC |
| 2011-12 | 20110523 | CHINA P RP | 73043139 | HONED TUBE-SEAMLESS ST52/GR.20 MATERIAL WITH ID TOLERANCE H8(OD 92 X ID 80 X L | 33.70 | 43,800 | 14,75,866 | PUC |
| 2011-12 | 20110506 | HONG KONG | 73045920 | SEAMLESS CARBON STEEL PIPE ASTM A106 GR B-0161A004 141.30MM ODX6.55MM THK | 32.66 | 53,130 | 17,35,297 | PUC |
| 2011-12 | 20110503 | CHINA P RP | 73045110 | STEEL TUBE DIA 4.76 0.55MM WITH ZINC COATED(CAPTIVE CONSUMPTION) | 31.42 | 67,354 | 21,16,125 | PUC |
| 2011-12 | 20110527 | GERMANY | 73043911 | 73043911 BOILER QUALITY S/L C/S TUBES(TOSPEC SA210) | 31.00 | 78,956 | 24,47,638 | PUC |
| 2011-12 | 20110505 | CHINA P RP | 73049000 | CARBON STEEL SEAMLESS PIPES/TUBES | 31.00 | 50,873 | 15,77,055 | PUC |
| 2011-12 | 20110527 | CHINA P RP | 73045120 | 159 (FINISH 150) X109 X7200MM READY TO HONE PRECISION TUBE | 30.00 | 53,913 | 16,17,388 | PUC |
| 2011-12 | 20110503 | IRAN | 73045910 | CARBON STEEL SEAMLESS TUBES SA210 GR. A1 SIZE 57.15 OD X 6.35 MIN. WT X 11500 | 29.66 | 77,816 | 23,08,180 | PUC |
| 2011-12 | 20110524 | FRANCE | 73049000 | TUBE-100CR6-173.10 X 136.10 (MA-12859/ME-3708/111022/01170) | 29.10 | 85,990 | 25,02,298 | PUC |
| 2011-12 | 20110429 | ROMANIA | 73043931 | SEAMLESS CARBON STEEL PIPES (OD 273.00 X 9.27 X 6500 MM)[169 MTR @ US \$ 96.46] | 29.00 | 71,634 | 20,77,393 | PUC |
| 2011-12 | 20110513 | CHINA P RP | 73043139 | HYDRAULIC CYLINDER TUBE (SIZE: 150 X 125 MM) | 28.62 | 55,604 | 15,91,452 | PUC |
| 2011-12 | 20110425 | CHINA P RP | 73043119 | SKIVED & BURNISHED TUBES(ID-125MM X OD-140MM.) | 28.05 | 50,367 | 14,12,590 | PUC |
| 2011-12 | 20110429 | CHINA P RP | 73043919 | CARBON STEEL SEAMLESS TUBES ASTM A 179 (SIZE 27 MM OD X 2.50 MM THK X 10.5 - | 27.68 | 45,870 | 12,69,862 | PUC |
| 2011-12 | 20110510 | CHINA P RP | 73041910 | ASSORTED PIPES IMPORTED FOR INSTALLING ASSAM GAS PROJECT(TOTAL 430 MTR & \$ | 27.16 | 82,246 | 22,33,805 | PUC |
| 2011-12 | 20110511 | CHINA P RP | 73049000 | SEAMLESS STEEL TUBES BK LENGTH 5 TO 5.8 METER (20) 26.70MM X 6.00MM | 27.00 | 52,642 | 14,21,325 | PUC |
| 2011-12 | 20110518 | CHINA P RP | 73045110 | COLD DRAWN CARBON STEEL SEAMLESS MOTHER TUBES (MOTHER HOLLOW) ASTM A106B - OD: | 27.00 | 50,912 | 13,74,635 | PUC |
| 2011-12 | 20110524 | CHINA P RP | 73043919 | CARBON STEEL SEAMLESS TUBES GR 20 (SIZE 140 MM OD X 125 MMID X 5000 - 5800 MTR | 26.77 | 56,127 | 15,02,343 | PUC |
| 2011-12 | 20110426 | ITALY | 73049000 | 193.70X5.40MM HOT ROLLED SS STRUCTURAL PIPES | 26.04 | 95,501 | 24,86,680 | PUC |
| 2011-12 | 20110521 | ITALY | 73043921 | SEAMLESS CARBON STEEL PIPES TO SPEC SA106 (BXASMECS00000C0001) (194.140 MTR @ | 26.00 | 98,031 | 25,48,803 | PUC |
| 2011-12 | 20110429 | U S A | 73049000 | CARBON STEEL SEAMLESS PIPES ASTM A 106 GRADE B LENGHT 7-10M | 26.00 | 33,631 | 8,74,398 | PUC |
| 2011-12 | 20110416 | U ARAB EMTS | 73041990 | SECONDARY/ DEFECTIVE CARBON STEEL SEAMLESS PIPES | 26.00 | 28,512 | 7,41,300 | PUC |
| 2011-12 | 20110519 | JAPAN | 73049000 | CARBON STEEL SECONDARY DEFECTIVE SEAMLESS PIPES | 26.00 | 26,871 | 6,98,635 | PUC |
| 2011-12 | 20110518 | U S A | 73049000 | SECONDARY DEFECTIVE CARBON STEEL SEAMLESS PIPES, | 26.00 | 25,331 | 6,58,605 | PUC |
| 2011-12 | 20110510 | CONGO P REP | 73049000 | CARBON STEEL PIPE (SECONDARY/DEFECTIVE) SEAMLESS | 26.00 | 24,751 | 6,43,514 | PUC |
| 2011-12 | 20110502 | CHINA P RP | 73049000 | SEAMLESS STEEL TUBES BK LENGTH 5-5.8 METER (20) 30.00MMX 6.8 MM | 26.00 | 51,616 | 13,42,008 | PUC |
| 2011-12 | 20110518 | CHINA P RP | 73043119 | SEAMLESS STEEL TUBES ASTM A106 GR B / API 5L GR B SIZE : 219MM X 18MM X 10.2 M | 25.99 | 37,575 | 9,76,386 | PUC |
| 2011-12 | 20110503 | BELGIUM | 73049000 | SECONDARY SEAMLESS CARBON STEEL PIPES | 25.00 | 50,438 | 12,60,958 | PUC |
| 2011-12 | 20110523 | GERMANY | 73049000 | M.S. SECONDARY DEFECTIVE SEAMLESS PIPES. | 25.00 | 36,799 | 9,19,983 | PUC |
| 2011-12 | 20110519 | CHINA P RP | 73043119 | STEEL TUBES [TCDR 113X99.5X4984MM ST 52.2 NBK] | 25.00 | 67,048 | 16,76,194 | PUC |
| 2011-12 | 20110503 | CHINA P RP | 73043939 | CARBON SEAMLESS STEEL TUBE 88.9*16MM*5.4M | 25.00 | 49,662 | 12,41,559 | PUC |
| 2011-12 | 20110509 | CHINA P RP | 73049000 | CARBON STEEL SEAMLESS PIPES GRADE ST52.4 | 25.00 | 34,768 | 8,69,197 | PUC |
| 2011-12 | 20110512 | CHINA P RP | 73049000 | SECONDARY / DEFECTIVE CARBON STEEL SEAMLESS PIPE | 25.00 | 25,392 | 6,34,793 | PUC |
| 2011-12 | 20110524 | KOREA RP | 73043939 | SEAMLESS STEEL PIPES 34CR MO DIA OD 267.00MM X 6.00 MM | 24.00 | 76,632 | 18,39,168 | PUC |
| 2011-12 | 20110514 | GERMANY | 73049000 | CARBON STEEL SECONDARY / DEFECTIVE SEAMLESS PIPES | 24.00 | 25,949 | 6,22,779 | PUC |
| 2011-12 | 20110511 | CHINA P RP | 73041910 | CARBON STEEL SEAMLESS PIPE | 24.00 | 51,377 | 12,33,053 | PUC |

**Import Data from DGCIS [All Countries PUC]
Apr 2009 to Jun 2012**

| Year | Date | Country | ITC-HS | Item-Des | Quantity (MT) | Price (Rs./MT) | Value (Rs) | PUC/ NPUC |
|---------|----------|-------------|----------|---|---------------|----------------|------------|--------------|
| 2011-12 | 20110511 | CHINA P RP | 73041910 | SEAMLESS STEEL PIPES - SIZE: 4 X SCH40 X 5800 MM | 24.00 | 33,918 | 8,14,042 | PUC |
| 2011-12 | 20110427 | CHINA P RP | 73043939 | SEAMLESS STEEL TUBE GRADE SAE52100/GCR15 28.65 X 6.00 | 23.95 | 66,155 | 15,84,619 | PUC |
| 2011-12 | 20110513 | CHINA P RP | 73043939 | SAE-52100 ANNEALED BEARING TUBE 48.00 X 10.00 (MADE OF MS) | 23.92 | 72,779 | 17,41,176 | PUC |
| 2011-12 | 20110506 | CHINA P RP | 73043911 | CARBON STEEL SEAMLESS PIPES-SA106GRC OD 559 X 93 X 3000 | 23.63 | 1,13,547 | 26,82,558 | PUC |
| 2011-12 | 20110517 | KOREA RP | 73049000 | HOT ROLLED SEAMLESS STEEL TUBE | 23.00 | 79,707 | 18,33,261 | PUC |
| 2011-12 | 20110519 | JAPAN | 73049000 | SECONDARY SEAMLESS CARBON STEEL PIPES | 23.00 | 35,499 | 8,16,471 | PUC |
| 2011-12 | 20110521 | CHINA P RP | 73049000 | COLD DRAWN SEAMLESS CARBON STEEL TUBES26.00 X 3.80 X 5100-5800MM)(C 45) | 23.00 | 56,342 | 12,95,859 | PUC |
| 2011-12 | 20110428 | CHINA P RP | 73045110 | BEARING QUALITY STEEL TUBE SAE52100- SIZE 38.6 * 4.0 | 22.97 | 72,772 | 16,71,718 | PUC |
| 2011-12 | 20110521 | CHINA P RP | 73043119 | SEAMLESS STEEL PIPES API 5L GR. B 32 X 4 X 5000-5800MM | 22.93 | 49,024 | 11,24,266 | PUC |
| 2011-12 | 20110505 | CHINA P RP | 73043939 | DIN2391ST52 READY TO HONE TUBE (140X109.5X3200) (QTY 65 PCS) | 22.84 | 70,698 | 16,14,735 | PUC |
| 2011-12 | 20110506 | CHINA P RP | 73045110 | BEARING QUALITY STEEL TUBE SAE52100 30.5*3.0 | 22.83 | 72,450 | 16,53,889 | PUC |
| 2011-12 | 20110523 | ITALY | 73049000 | MS SEAMLESS NON ROUND PIPES SECTION SQUARE TUBE TUBO PER STRUTTURE 120X120X12.5 | 22.00 | 95,361 | 20,97,935 | PUC |
| 2011-12 | 20110510 | U ARAB EMTS | 73049000 | SECONDARY DEFECTIVE M S PIPES OF MIX SIZES. | 22.00 | 23,106 | 5,08,332 | PUC |
| 2011-12 | 20110516 | CHINA P RP | 73041910 | SEAMLESS STEEL PIPES SIZE: 12 OD X SCH40 THK X 5800 MM LENGTH) | 22.00 | 34,364 | 7,56,000 | PUC |
| 2011-12 | 20110428 | U ARAB EMTS | 73041110 | CARBON STEEL SQUARE PIPE STKR400-250X250X9.0X3158MM (FOR DUMP TRUCK INDUSTRY) | 21.97 | 77,015 | 16,91,839 | PUC |
| 2011-12 | 20110425 | CHINA P RP | 73049000 | ALLOY STEEL SEAMLESS TUBE 15CRMO,SIZE-16.3 X 7 (OD X ID)MM | 21.69 | 70,054 | 15,19,744 | PUC |
| 2011-12 | 20110506 | CHINA P RP | 73045110 | SEAMLESS STEEL TUBE-GRADE-SAE 52100/GCR15-DIA-49.0X64.0X7.5MM | 21.35 | 69,166 | 14,76,339 | PUC |
| 2011-12 | 20110507 | JAPAN | 73041910 | C.R. ALLOY STEEL TUBE FOR BEARING 0035.75MM X WT6.00MM | 21.00 | 1,12,253 | 23,57,315 | PUC |
| 2011-12 | 20110511 | ITALY | 73049000 | CARBON STEEL SECONDARY SEAMLESS PIPES MIX LOT | 21.00 | 26,992 | 5,66,842 | PUC |
| 2011-12 | 20110513 | ITALY | 73049000 | CARBON STEEL SECONDARY SEAMLESS PIPES MIX LOT | 21.00 | 26,297 | 5,52,240 | PUC |
| 2011-12 | 20110501 | CHINA P RP | 73041910 | COLD DRAWN SEAMLESS STEE | 20.76 | 1,22,004 | 25,32,686 | PUC |
| 2011-12 | 20110521 | CHINA P RP | 73045110 | SEAMLESS STEEL TUBE-GRADE-GCR15-SIZE-57.0X8.0MM-SAE52100 | 20.54 | 73,140 | 15,02,368 | PUC |
| 2011-12 | 20110506 | CHINA P RP | 73049000 | STEEL TUBES 19.7MM X14.5MM X2.60 MM | 20.38 | 1,12,500 | 22,92,975 | PUC |
| 2011-12 | 20110512 | ITALY | 73049000 | SECONDARY CARBON STEEL SEAMLESS PIPES | 20.00 | 27,043 | 5,40,861 | PUC |
| 2011-12 | 20110505 | CHINA P RP | 73043119 | PRIME COLD DRAWN SEAMLESS STEEL TUBE : SAE1010 : 28.58 MM X5.4 MM | 19.97 | 58,964 | 11,77,272 | PUC |
| 2011-12 | 20110503 | CHINA P RP | 73043119 | SEAMLESS COLD DRAWN TUBES OF VARIOUS SIZES GRADE SAE52100/ GCR15 (30.87X3.67 MM | 19.90 | 74,565 | 14,83,918 | PUC |
| 2011-12 | 20110510 | CHINA P RP | 73049000 | C.S SEAMLESS PIPE | 19.85 | 54,620 | 10,84,254 | PUC |
| 2011-12 | 20110509 | CHINA P RP | 73043119 | SEAMLESS PIPES COLD DRAWN SEAMLESS STEEL SIZE 66.00 X 57.00X 4.50 | 19.83 | 70,045 | 13,89,126 | PUC |
| 2011-12 | 20110525 | CHINA P RP | 73069090 | BEARING SEAMLESS CUT TUBES - 6202 IR - CUT BLANKS (COMPOSITION -C-0.93-1.05,MN- | 19.30 | 1,59,675 | 30,81,093 | PUC |
| 2011-12 | 20110518 | GERMANY | 73069090 | BEARING SEAMLESS CUT TUBES - 6002 IR - CUT BLANKS | 19.27 | 1,61,674 | 31,15,788 | PUC |
| 2011-12 | 20110517 | JAPAN | 73049000 | ALLOY STEEL SEAMLESS STEEL TUBE O.D.51.55MMXW/TH.6.35MM | 19.15 | 1,65,978 | 31,79,069 | PUC |
| 2011-12 | 20110511 | CHINA P RP | 73045110 | STEEL TUBE DIA 4.76 X 0.60MM WITH COPPER COATED(CAPTIVE CONSUMPTION) | 19.01 | 60,291 | 11,46,023 | PUC |
| 2011-12 | 20110510 | CHINA P RP | 73045110 | STEEL TUBE DIA 4.76 X 0.60MM WITH COPPER COATED(CAPTIVE CONSUMPTION) | 19.01 | 60,291 | 11,46,023 | PUC |
| 2011-12 | 20110502 | U S A | 73049000 | CARBON STEEL SECONDARY DEFECTIVE SEAMLESS PIPE | 19.00 | 27,499 | 5,22,475 | PUC |
| 2011-12 | 20110514 | QATAR | 73049000 | SECONDARY / DEFECTIVE CARBON STEEL SEAMLESS PIPE | 19.00 | 26,488 | 5,03,278 | PUC |
| 2011-12 | 20110428 | CHINA P RP | 73045110 | COLD DRAWN SEAMLESS CARBON STEEL TUBES ASTM A 519 GRADE 37MN5 (SIZE: 55.6 X 4.8 | 19.00 | 63,846 | 12,13,078 | PUC |
| 2011-12 | 20110518 | CHINA P RP | 73041990 | CS SEAMLESS TUBES 32MM X 6.75MM X 4200MM(ASTM A 106 GR B) 1100 PCS/ 4620 MTR | 19.00 | 55,671 | 10,57,758 | PUC |
| 2011-12 | 20110428 | CHINA P RP | 73041910 | SEAMLESS STEEL PIPE API 5L GRB/ASTM A106 GR B (41X5)MM | 19.00 | 50,349 | 9,56,622 | PUC |
| 2011-12 | 20110511 | CHINA P RP | 73045120 | SEAMLESS CARBON STEEL PIPE - GRADE: API SPEC 5L B PSL 1/ASTM A106 B SIZE: 219. | 18.00 | 40,793 | 7,34,270 | PUC |
| 2011-12 | 20110511 | CHINA P RP | 73049000 | SECONDARY CARBON STEEL SEAMLESS PIPES | 18.00 | 25,510 | 4,59,176 | PUC |
| 2011-12 | 20110511 | CHINA P RP | 73045110 | 4MM*0.7MM SINGLE SIDE ZINC COATED STEEL TUBE(CAPTIVE CONSUMPTION) | 17.94 | 73,437 | 13,17,137 | PUC |

**Import Data from DGCIS [All Countries PUC]
Apr 2009 to Jun 2012**

| Year | Date | Country | ITC-HS | Item-Des | Quantity (MT) | Price (Rs./MT) | Value (Rs) | PUC/ NPUC |
|---------|----------|-------------|----------|---|---------------|----------------|------------|--------------|
| 2011-12 | 20110516 | CHINA P RP | 73049000 | SEAMLESS STEEL TUBE AS PER DIN 17175 ST.35.8 III SIZE:32.0MM X 3.6MM X9.3M | 17.65 | 53,369 | 9,41,850 | PUC |
| 2011-12 | 20110519 | SINGAPORE | 73045110 | 4.76MM 0.55MM SINGLE SIDE COPPER COATED STEEL TUBE | 17.03 | 68,934 | 11,74,014 | PUC |
| 2011-12 | 20110428 | CHINA P RP | 73041990 | FORGED PIPE DIMENSION OD-435MM (-1MM TO + 1MM) , ID-222MM(-1MM TO +1MM), L-134 | 15.35 | 1,57,301 | 24,15,036 | PUC |
| 2011-12 | 20110503 | GERMANY | 73045920 | HOT FINISHED CARBON STEEL SEAMLESS MOTHER PIPES [160MM X 19.05MM X 8.535M X 10 | 15.00 | 57,581 | 8,63,715 | PUC |
| 2011-12 | 20110503 | CHINA P RP | 73045920 | HOT FINISHED CARBON STEEL SEAMLESS MOTHER PIPES [219.1MM X38 MM X 8.12M X 10] | 14.00 | 54,872 | 7,68,213 | PUC |
| 2011-12 | 20110503 | CHINA P RP | 73045920 | HOT FINISHED CARBON STEEL SEAMLESS MOTHER PIPES [219.1MM X25.40MM X 7.545M X 1 | 14.00 | 54,280 | 7,59,926 | PUC |
| 2011-12 | 20110425 | JAPAN | 73049000 | COLD DRAWN SEAMLESS TUBE ITEM NO. RGPS038 15.15(+0.08/-0) X10.8(+/-0.1)MM GRAD | 13.26 | 2,73,869 | 36,30,401 | PUC |
| 2011-12 | 20110503 | CHINA P RP | 73045920 | HOT FINISHED CARBON STEEL SEAMLESS MOTHER PIPES [203.2MM X23.02MM X 6.92M X 11 | 13.00 | 53,784 | 6,99,192 | PUC |
| 2011-12 | 20110518 | CHINA P RP | 73041190 | SEAMLESS STEEL TUBES ST18.30MM X11.65MM SCM415H | 12.16 | 1,21,253 | 14,74,681 | PUC |
| 2011-12 | 20110503 | U S A | 73043911 | SECONDARY DEFECTIVE MS SEAMLESS PIPE | 12.00 | 25,743 | 3,08,914 | PUC |
| 2011-12 | 20110505 | U S A | 73042990 | WASHOVER PIPES 5 1/2 17 PPF N- 80(FISHING TOOLS) | 12.00 | 22,899 | 2,74,789 | PUC |
| 2011-12 | 20110503 | CHINA P RP | 73045920 | HOT FINISHED CARBON STEEL SEAMLESS MOTHER PIPES [273MM X 25.40MM X 9.36M X 8] | 12.00 | 54,038 | 6,48,452 | PUC |
| 2011-12 | 20110514 | CHINA P RP | 73043921 | 73043921 S/L CARBON STEELPIPES(TOSPEC SA106) | 12.00 | 49,656 | 5,95,869 | PUC |
| 2011-12 | 20110526 | ROMANIA | 98010013 | SEAMLESS CARBON STEEL PIPES(TOSPEC SA106)CIF:776742/- | 11.00 | 70,613 | 7,76,742 | PUC |
| 2011-12 | 20110526 | CHINA P RP | 73061929 | CARBON STEEL SEAMLESS PIPE ASTM A106 GR.B DN500X9.52MM | 11.00 | 45,327 | 4,98,601 | PUC |
| 2011-12 | 20110507 | FRANCE | 73043911 | CS NACE SEAMLESS PIPES (ASTM A53 B) SIZE:2.5 (C.O. FRANCE) | 10.98 | 91,763 | 10,07,645 | PUC |
| 2011-12 | 20110425 | JAPAN | 73049000 | COLD DRAWN SEAMLESS TUBE ITEM NO. RGPS025 16.15(+0.08/-0)X11.0(+/-0.1)MM GRA | 10.85 | 2,64,988 | 28,75,381 | PUC |
| 2011-12 | 20110512 | CHINA P RP | 73045910 | CARBON STEEL SEAMLESS TUBES SA 210M GR. A1 SIZE: 101.6 MM OD X 5.6 MM THK X 64 | 10.54 | 54,537 | 5,74,925 | PUC |
| 2011-12 | 20110523 | U S A | 73069090 | A519 COLD DRAWN SEAMLESS TUBING SRA (SIZE: 146MM OD X 108MMID) | 10.48 | 2,79,365 | 29,26,925 | PUC |
| 2011-12 | 20110518 | CHINA P RP | 73043911 | PIPES (AS OD 42.4 MM) | 10.47 | 1,33,326 | 13,96,051 | PUC |
| 2011-12 | 20110503 | CHINA P RP | 73045920 | HOT FINISHED CARBON STEEL SEAMLESS MOTHER PIPES [127MM X 15.88MM X 5.42M X 20 | 10.00 | 52,674 | 5,26,740 | PUC |
| 2011-12 | 20110519 | CHINA P RP | 73043119 | SEAMLESS PIPES COLD DRAWN SEAMLESS STEEL | 9.97 | 67,950 | 6,77,122 | PUC |
| 2011-12 | 20110511 | CHINA P RP | 73042990 | OILWELL EQUIPMENT - BRAND NEW DRILL PIPES 2-7/8 OD, RIGHT HAND THREAD, STEEL G | 9.18 | 2,45,185 | 22,50,000 | PUC |
| 2011-12 | 20110510 | CHINA P RP | 73045910 | SEAMLESS STEEL TUBES ASME SA210M GR. A1 SIZE 50.8 OD X 4.5MIN. WT X 10000 LG | 9.00 | 54,549 | 4,90,672 | PUC |
| 2011-12 | 20110509 | FRANCE | 73043911 | SEAMLESS TUBULAR (API-5L-GRADE B/ASTM-A-106 GRADE B) SIZE: 16 | 8.88 | 93,059 | 8,26,644 | PUC |
| 2011-12 | 20110505 | JAPAN | 73049000 | CS SEAMLESS PIPE TO API 5L GR.X65, PSL-2 :- 8 OD (219.1MM)X 18.26MM X 200MM LE | 8.67 | 2,45,958 | 21,33,441 | PUC |
| 2011-12 | 20110513 | UNSPECIFIED | 73042390 | 5 HEAVY WEIGHT DRILL PIPE (QTY 12 NOS - UNIT PRICE 3450 USD) | 8.52 | 2,64,854 | 22,56,559 | PUC |
| 2011-12 | 20110418 | CHINA P RP | 73049000 | CARBON STEEL SEAMLESS PIPES GRADE 106 GRB (20 SCHX9.53X10-11.8M) | 8.13 | 47,460 | 3,85,660 | PUC |
| 2011-12 | 20110423 | CHINA P RP | 73043931 | SEAMLESS CARBON STEEL IPES(OD 219.10 X 6.35 X6000) TO SPEC SA106 (232.140 MTRS | 8.00 | 65,460 | 5,23,682 | PUC |
| 2011-12 | 20110510 | CHINA P RP | 73045110 | COLD DRAWN CARBON STEEL SEAMLESS TUBES - SIZE: 33.4 X 3.4 X10000-11800 MM | 8.00 | 48,094 | 3,84,750 | PUC |
| 2011-12 | 20110516 | CHINA P RP | 73049000 | COLD DRAWN SEAMLESS STEEL TUBE (FOR PISTON PIN) GRADE SCM-415H (JIS G 4052 | 7.21 | 3,20,766 | 23,13,044 | PUC |
| 2011-12 | 20110505 | CHINA P RP | 73041190 | SEAMLESS STEEL TUBES ST18.30MM X 11.65MM SCM415H | 7.20 | 1,21,150 | 8,71,675 | PUC |
| 2011-12 | 20110506 | JAPAN | 73049000 | COLD DRAWN SEAMLESS STEEL TUBE ITEM NO. O.D. 19.40MMX I.D.11.50MM GRADE SCR-420 | 7.00 | 2,99,533 | 20,97,633 | PUC |
| 2011-12 | 20110519 | CHINA P RP | 73045110 | BEARING QUALITY STEEL TUBE SAE52100 : (SIZE : 55.7*7.1) | 6.60 | 66,150 | 4,36,722 | PUC |
| 2011-12 | 20110504 | U ARAB EMTS | 73043129 | HYDRAULIC CYLINDER TUBE (156*130*1010MM)(FOR CAPTIVE CONSUMPTION) | 6.28 | 1,34,970 | 8,48,021 | PUC |
| 2011-12 | 20110426 | CHINA P RP | 73041990 | SEAMLESS STEEL PIPES | 6.02 | 44,748 | 2,69,472 | PUC |
| 2011-12 | 20110430 | U K | 73043911 | CARBON STEEL SEAMLESS PIPE - DIN 2448 ST. 37.0 DIN 1629 SIZE: O.D. 219.1 MM (40 | 6.00 | 55,301 | 3,31,808 | PUC |
| 2011-12 | 20110510 | CHINA P RP | 73049000 | HOT FINISHED ALLOY STEEL SEAMLESS TUBES (C-2%,SI-2%,MN-2%,P-3%,CR-2%,MO-2%,S-3 | 6.00 | 1,80,731 | 10,84,388 | PUC |
| 2011-12 | 20110506 | CHINA P RP | 73049000 | SEAMLESS STEEL PIPE AS PER 12XM0SIZE:133MM OD X 13MM THK LENGTH 5MTR | 5.36 | 1,42,781 | 7,65,307 | PUC |
| 2011-12 | 20110512 | JAPAN | 73049000 | SEAMLESS ALLOY STEEL TUBES JIS G3441 SCM415TK 30.70MM OD X 24.90MM ID X 5M | 5.02 | 1,40,601 | 7,05,115 | PUC |
| 2011-12 | 20110523 | JAPAN | 73049000 | COLD DRAWN SEAMLESS STEEL TUBE (FOR PISTON PIN) GRADE SCM-415H (JIS) (O.D. 1 | 5.00 | 2,92,512 | 14,63,730 | PUC |

**Import Data from DGCIS [All Countries PUC]
Apr 2009 to Jun 2012**

| Year | Date | Country | ITC-HS | Item-Des | Quantity (MT) | Price (Rs./MT) | Value (Rs) | PUC/ NPUC |
|---------|----------|-------------|----------|---|---------------|----------------|------------|--------------|
| 2011-12 | 20110509 | CHINA P RP | 73043911 | CARBON STEEL SEAMLESS PIPE (DIN 2391/C ST.37.0)SIZE: OD 15MM (60 MTRS.) | 5.00 | 1,30,184 | 6,50,919 | PUC |
| 2011-12 | 20110505 | THAILAND | 73069090 | CARBON STEEL PIPE - 9 X 0.6 X 2200MM | 4.10 | 1,48,642 | 6,09,897 | PUC |
| 2011-12 | 20110531 | THAILAND | 73069090 | CARBON STEEL PIPE - 9 X 0.6 X 2200 MM | 4.10 | 1,48,604 | 6,09,738 | PUC |
| 2011-12 | 20110512 | FINLAND | 73049000 | HOLLOW SECTION 180X180X12.5 EN 10219, S355J2H+CERT.2.2/3.1 CUTTING STAT. NO.730 | 4.00 | 1,13,473 | 4,53,893 | PUC |
| 2011-12 | 20110328 | U S A | 73041910 | CARBON STEEL SECONDARY SEAMLESS PIPE | 4.00 | 30,890 | 1,23,559 | PUC |
| 2011-12 | 20110514 | U K | 73049000 | SECONDARY SECONDCARBON STEEL SEAMLESS / WELDED PIPES (MIXED LOT) | 4.00 | 23,468 | 93,870 | PUC |
| 2011-12 | 20110521 | CHINA P RP | 73043139 | HYDRAULIC CYLINDER TUBE (SIZE: 76 X 63 MM) | 3.62 | 2,05,001 | 7,42,516 | PUC |
| 2011-12 | 20110426 | JAPAN | 73041990 | OILWELL SUPPLIES : DRILL LINE 1-1/4 6X19 RRL XIP BRIGHT REEL INCLUDED FOB PACK | 3.55 | 1,48,880 | 5,28,524 | PUC |
| 2011-12 | 20110518 | CHINA P RP | 73049000 | Q235 STEEL PIPE FOR SIDE WALL / END WALL | 3.40 | 29,271 | 99,522 | PUC |
| 2011-12 | 20110429 | JAPAN | 73045910 | HOT FINISHED SEAMLESS CARBON STEEL PIPES ASTM/ASME A/SA106-B, PLAIN ENDS SIZE : | 3.19 | 74,598 | 2,37,968 | PUC |
| 2011-12 | 20110516 | KOREA RP | 73043129 | NON ALLOY STEEL SEAMLESS PIPES 168.3MMX7.11MM | 3.12 | 1,56,893 | 4,89,035 | PUC |
| 2011-12 | 20110519 | CHINA P RP | 73043929 | STEEL TUBES [135X115X5000-6000 MM] | 3.00 | 94,000 | 2,82,000 | PUC |
| 2011-12 | 20110506 | ITALY | 73049000 | PIPE OD115 X ID80 LG=250MM. SA 182 F60 | 2.53 | 1,47,645 | 3,72,892 | PUC |
| 2011-12 | 20110516 | KOREA RP | 73043139 | NON ALLOY STEEL SEAMLESS PIPES 219.1MMX8.18MM | 2.50 | 42,598 | 1,06,496 | PUC |
| 2011-12 | 20110413 | CHINA P RP | 73043119 | STEEL HONED TUBES (OD 112X88X5760/5120/640 MM) NET QTY 80.64 MTR | 2.39 | 75,495 | 1,80,206 | PUC |
| 2011-12 | 20110501 | UNSPECIFIED | 73041910 | PIPE ASTM B729 SMLS BBE | 2.29 | 2,01,763 | 4,62,037 | PUC |
| 2011-12 | 20110503 | JAPAN | 73049000 | SEAMLESS STEEL TUBES - WELTEN780C-TK | 2.00 | 1,47,081 | 2,94,161 | PUC |
| 2011-12 | 20110428 | JAPAN | 73045910 | HOT FINISHED SEAMLESS CARBON STEEL PIPES ASTM/ASME A/SA106-B, PLAIN ENDS SIZE : | 1.72 | 76,838 | 1,32,161 | PUC |
| 2011-12 | 20110429 | CHINA P RP | 73041910 | STEEL TUBE M.S (4 NOS) | 1.56 | 1,34,918 | 2,10,472 | PUC |
| 2011-12 | 20110518 | GERMANY | 73049000 | SEAMLESS COLD DRAWN LOW-CARBON STEEL TUBES SAE J 403-95 | 1.07 | 2,67,130 | 2,85,295 | PUC |
| 2011-12 | 20110513 | SINGAPORE | 73041910 | SLIP, ROTARY DRILLPIPE 6-7/8 X 5-7/8 IN COMPLETE WITH INSERTS AND FLEX HANDLES | 1.00 | 2,46,588 | 2,46,588 | PUC |
| 2011-12 | 20110507 | JAPAN | 73043931 | SEAMLESS CARBON STEEL PIPES (OD 219.10 X 14.20 X 6000) [SA106 GRC] [18 MTRS @ 1 | 1.00 | 87,206 | 87,206 | PUC |
| 2011-12 | 20110523 | GERMANY | 73049000 | SECONDARY SECONDCHOICE CARBON STEEL SEAMLESS PIPES | 1.00 | 8,166 | 8,166 | PUC |
| 2011-12 | 20110518 | U S A | 73049000 | SECONDARY SEAMLESS CARBON STEEL TUBES | 1.00 | 6,968 | 6,968 | PUC |
| 2011-12 | 20110518 | CHINA P RP | 73049000 | CARBON SEAMLESS STEEL PIPES STOCKLOT MIX SIZE | 1.00 | 17,185 | 17,185 | PUC |
| 2011-12 | 20110429 | CHINA P RP | 73049000 | SECONDARY SEAMLESS CARBON STEEL TUBES | 1.00 | 12,938 | 12,938 | PUC |
| 2011-12 | 20110523 | CHINA P RP | 73049000 | PNEUMATIC COMPONENTS : SC SERIES CYLINDER 63 BOREX 150 STROKE, WITH G THREAD | 0.74 | 61,550 | 45,547 | PUC |
| 2011-12 | 20110429 | AUSTRIA | 73041110 | SMLS PIPE 1 1/2INCH SCH.XS/80S/80, UNS S31803 A/SA 790-ASMEB36.19 (EN10204 3.1) | 0.40 | 1,06,738 | 42,695 | PUC |
| 2011-12 | 20110506 | U ARAB EMTS | 73041990 | PIPE CS 1 1/2 NS SCH XXS 10.16MM THK,ASTM A 106 B: NACE PIPES (MADE OF CARBON | 0.40 | 1,03,412 | 40,951 | PUC |
| 2011-12 | 20110509 | SWEDEN | 73043911 | SHP (IRON) TUBE SIZE 100/100/8 MM - 1 PC | 0.26 | 1,31,167 | 33,710 | PUC |
| 2011-12 | 20110413 | CHINA P RP | 73043129 | STEEL HONED TUBES (OD 197 X 154X 940 MM) NET QTY 1.88 MTR | 0.18 | 95,657 | 16,740 | PUC |
| 2011-12 | 20110421 | FRANCE | 73049000 | OILWELL SUPPLIES : TUBING, PIPE. 1/2 INCH SIZE, COPPER MATERIAL, 50 FT LENOTH, | 0.10 | 43,170 | 4,317 | PUC |
| 2011-12 | 20110516 | GERMANY | 73049000 | CARBON STEEL SECONDARY DEFECTIVE SEAMLESS PIPE | 0.10 | 19,560 | 1,956 | PUC |
| 2011-12 | 20110502 | U S A | 73049000 | CARBON STEEL SECONDARY DEFECTIVE SEAMLESS PIPE | 0.10 | 18,920 | 1,892 | PUC |
| 2011-12 | 20110519 | JAPAN | 73049000 | CARBON STEEL SECONDARY DEFECTIVE SEAMLESS PIPES | 0.10 | 18,610 | 1,861 | PUC |
| 2011-12 | 20110513 | ITALY | 73049000 | CARBON STEEL SECONDARY SEAMLESS PIPES MIX LOT | 0.10 | 15,930 | 1,593 | PUC |
| 2011-12 | 20110511 | ITALY | 73049000 | CARBON STEEL SECONDARY SEAMLESS PIPES MIX LOT | 0.10 | 13,280 | 1,328 | PUC |
| 2011-12 | 20110428 | CHINA P RP | 73049000 | CARBON STEEL SEAMLESS PIPE | 0.10 | 49,770 | 4,977 | PUC |
| 2011-12 | 20110512 | NETHERLAND | 73069090 | PIPE,2 (60,32MM) X SCH 80S (5,54MM) PE IN R/L SEAMLESS,IN MATERIAL ASTM B444 U | 0.04 | 61,17,018 | 2,74,684 | PUC |
| 2011-12 | 20110507 | CHINA P RP | 73049000 | SEONDRARY DEFECTIVE CARBON STEEL SEAMLESS PIPES | 0.03 | 68,133 | 2,044 | PUC |
| 2011-12 | 20110511 | CHINA P RP | 73049000 | SECONDARY CARBON STEEL SEAMLESS PIPES | 0.01 | 1,01,600 | 508 | PUC |

**Import Data from DGCIS [All Countries PUC]
Apr 2009 to Jun 2012**

| Year | Date | Country | ITC-HS | Item-Des | Quantity (MT) | Price (Rs./MT) | Value (Rs) | PUC/ NPUC |
|---------|----------|------------|----------|---|---------------|----------------|--------------|--------------|
| 2011-12 | 20110521 | CHINA P RP | 73043119 | SEAMLESS STEEL PIPES API 5L GR. B 48.3 X 5.5 X 5000-5800MM | 0.001 | 49,000 | 49 | PUC |
| 2011-12 | 20110609 | CHINA P RP | 73043911 | 73043911 S/L CARBON STEELSEAMLESS HOLLOWS | 2,201.00 | 48,706 | 10,72,02,876 | PUC |
| 2011-12 | 20110610 | CHINA P RP | 73042990 | SEAMLESS PIPE 114.3 X 7.9MM X-46 3 LAYER POLYETHYLENE COATED (EC CERT.NO. ECIN2 | 937.46 | 82,096 | 7,69,61,778 | PUC |
| 2011-12 | 20110531 | CHINA P RP | 73042990 | CASING PIPE (REGULAR SIZE) 9-5/8 J-55 40PPF BTC, 1288 PCS,14997.230 METER | 892.80 | 46,553 | 4,15,62,827 | PUC |
| 2011-12 | 20110609 | CHINA P RP | 73043911 | 73043911 S/L CARBON STEELSEAMLESS HOLLOWS | 801.00 | 48,624 | 3,89,47,532 | PUC |
| 2011-12 | 20110601 | CHINA P RP | 73043931 | 31 X 40' SEAMLESS STEEL | 758.00 | 67,801 | 5,13,93,046 | PUC |
| 2011-12 | 20110603 | CHINA P RP | 73041990 | CARBON STEEL SEAMLESS PIPE (SIZE 141.3 X 6.55, 168.3 X 7.11& 139.7 X 10) | 651.75 | 41,998 | 2,73,72,305 | PUC |
| 2011-12 | 20110602 | KOREA RP | 98010013 | 98010013 S/L C/S PIPES (TOSPEC SA-106)CIF60321219 | 575.00 | 1,04,906 | 6,03,21,219 | PUC |
| 2011-12 | 20110603 | CHINA P RP | 73041190 | CARBON STEEL SEAMLESS PIPE (SIZE:8 X SCH40, 8 X SCH80 & 8 X SCH20)-2306 PIEC | 551.49 | 41,542 | 2,29,09,556 | PUC |
| 2011-12 | 20110606 | CHINA P RP | 73043911 | SEAMLESS STEEL CYLINDER PIPE (34CRM04) SIZE: 232 MM X 5.4 MM | 538.34 | 55,252 | 2,97,44,453 | PUC |
| 2011-12 | 20110526 | ROMANIA | 73049000 | SEAMLESS STEEL PIPES ASME SA 210, GR C, OD 44.45MM X WT 6.60MM X F/L 11900MM (A | 448.00 | 74,981 | 3,35,91,347 | PUC |
| 2011-12 | 20110531 | CHINA P RP | 73042990 | CASING PIPE (REGULAR SIZE) 9-5/8 J-55 40PPF BTC, 650 PCS, 7492.830 METER | 446.06 | 46,553 | 2,07,65,388 | PUC |
| 2011-12 | 20110526 | CHINA P RP | 73049000 | CARBON STEEL SEAMLESS PIPE ASTM A106 GR.B DN250X6.35MM | 345.00 | 45,792 | 1,57,98,202 | PUC |
| 2011-12 | 20110524 | BELGIUM | 73042390 | SECONDARY SEAMLESS TUBES MS | 284.00 | 26,643 | 75,66,505 | PUC |
| 2011-12 | 20110531 | CHINA P RP | 73043919 | CARBON STEEL SEAMLESS TUBES ASTM A 179 (SIZE 63.5 MM OD X4.2 MM THK X 6 - 7 M | 281.69 | 43,871 | 1,23,57,864 | PUC |
| 2011-12 | 20110601 | CHINA P RP | 73049000 | SEAMLESS STEEL TUBE FOR | 273.38 | 60,714 | 1,65,98,130 | PUC |
| 2011-12 | 20110620 | CHINA P RP | 73043939 | SEAMLESS STEEL TUBE OF RELEVANT GRADE:34CRMO4 SIZE:276MM X 6.5MM (SEAMLESS STEE | 268.81 | 52,465 | 1,41,03,310 | PUC |
| 2011-12 | 20110621 | CHINA P RP | 73043911 | SEAMLESS CARBON STEEL TUBES(TO SPEC SA 210)OD 38.10 X 4.50 X 13800 | 266.00 | 77,543 | 2,06,26,356 | PUC |
| 2011-12 | 20110623 | ITALY | 73069090 | SEAMLESS COLD DRAWN STEEL TUBES FOR HYDRAULIC CYLINDERS (SIZE: 135.00 X 10.00 1 | 265.23 | 63,002 | 1,67,10,246 | PUC |
| 2011-12 | 20110606 | U S A | 73043911 | SEAMLESS CARBON STEEL TUBES (TO SPEC SA 210)SIZE AS PER INVOICE | 259.00 | 77,416 | 2,00,50,732 | PUC |
| 2011-12 | 20110523 | BELGIUM | 73049000 | SECONDARY/DEFECTIVE CARBON STEEL SEAMLESS PIPES | 258.00 | 32,530 | 83,92,842 | PUC |
| 2011-12 | 20110528 | CHINA P RP | 73043919 | CARBON STEEL SEAMLESS TUBES ASTM A 179 (SIZE 27 MM OD X 2.8 MM THK X 11 - 11.8 | 246.44 | 45,286 | 1,11,60,499 | PUC |
| 2011-12 | 20110624 | CHINA P RP | 73043919 | CARBON STEEL SEAMLESS TUBES (ASTM A106/API 5L)OD 114.3MM,WT6.02 MM, LENGTH 5-5. | 237.13 | 43,717 | 1,03,66,633 | PUC |
| 2011-12 | 20110615 | CHINA P RP | 73043911 | SEAMLESS STEEL TUBES (ASTM A 106 GR.B) SIZE:OD6MM | 233.40 | 30,933 | 72,19,694 | PUC |
| 2011-12 | 20110530 | CHINA P RP | 73049000 | HOT FINISHED SEAMLESS STEEL TUBE GRADE 34CRM04 | 233.00 | 59,944 | 1,39,66,914 | PUC |
| 2011-12 | 20110613 | CHINA P RP | 73045930 | SEAMLESS STEEL GAS CYLINDERS TUBES (SIZE: 232 MM X 5.4 MM) | 231.00 | 51,106 | 1,18,05,492 | PUC |
| 2011-12 | 20110613 | CHINA P RP | 73045930 | SEAMLESS STEEL GAS CYLINDERS TUBES (SIZE: 267 MM X 6.5 MM) | 225.00 | 55,894 | 1,25,76,039 | PUC |
| 2011-12 | 20110624 | CHINA P RP | 73043919 | CARBON STEEL SEAMLESS TUBES AS PER ASTM A 179) (OD 33.4MM,THICKNESS 3.4MM , LE | 223.97 | 50,671 | 1,13,48,794 | PUC |
| 2011-12 | 20110606 | CHINA P RP | 73042990 | TUBING 5 1/2 20 PPF L-80 NSCT (EC CERT NO ECIN 20110513033) | 217.10 | 54,703 | 1,18,75,791 | PUC |
| 2011-12 | 20110613 | CHINA P RP | 73049000 | CARBON STEEL SEAMLESS PIPES ACCORDING TO ASTM A106/API 5L/GRADE B | 216.00 | 33,999 | 73,43,685 | PUC |
| 2011-12 | 20110610 | CHINA P RP | 73043919 | CARBON STEEL SEAMLESS TUBES (ASTMA179) (OD 33.40X WALL 3.40MM, LENGTH 10-11.80 | 206.05 | 50,672 | 1,04,40,660 | PUC |
| 2011-12 | 20110621 | KOREA RP | 73043911 | SEAMLESS CARBON STEEL TUBES(TO SPEC SA210)SIZE AS PER INVOICE | 202.00 | 66,231 | 1,33,78,621 | PUC |
| 2011-12 | 20110526 | CHINA P RP | 73049000 | HOT FINISHED SEAMLESS STEEL TUBE 34CRMO4 | 195.00 | 53,334 | 1,04,00,188 | PUC |
| 2011-12 | 20110623 | CHINA P RP | 98010013 | SEAMLESS CARBON STEEL TUBES(TO SPEC SA210)SIZE AS PER INVOICE S37/021/2011 GR | 194.00 | 69,338 | 1,34,51,649 | PUC |
| 2011-12 | 20110616 | CHINA P RP | 73049000 | HOT FINISHED SEAMLESS STEEL TUBE 34CRMO4 | 187.00 | 66,127 | 1,23,65,711 | PUC |
| 2011-12 | 20110616 | CHINA P RP | 73049000 | HOT FINISHED SEAMLESS STEEL TUBE 34CRMO4 | 176.00 | 66,033 | 1,16,21,729 | PUC |
| 2011-12 | 20110531 | CHINA P RP | 73049000 | CARBON STEEL SEAMLESS PIPE | 175.00 | 28,130 | 49,22,719 | PUC |
| 2011-12 | 20110601 | CHINA P RP | 73049000 | SEAMLESS STEEL TUBE FOR | 174.68 | 56,606 | 98,87,936 | PUC |
| 2011-12 | 20110530 | GERMANY | 73043119 | PRIME CDS HOLLOW SEAMLESS TUBES (39.9MM X 5.8MM X 4540MM) | 170.00 | 53,601 | 91,12,238 | PUC |
| 2011-12 | 20110614 | CHINA P RP | 73049000 | SEAMLESS STEEL TUBE STANDARD:JIS G3429-88 (34CRMO4 OD 267XWT6.3MM | 170.00 | 63,596 | 1,08,11,335 | PUC |
| 2011-12 | 20110531 | CHINA P RP | 73049000 | CARBON STEEL SEAMLESS PIPES AS PER ASTM A106 GR.B/API 5L GR.B/A53 GR.B | 167.00 | 33,704 | 56,28,488 | PUC |

**Import Data from DGCIS [All Countries PUC]
Apr 2009 to Jun 2012**

| Year | Date | Country | ITC-HS | Item-Des | Quantity (MT) | Price (Rs./MT) | Value (Rs) | PUC/ NPUC |
|---------|----------|------------|----------|---|---------------|----------------|-------------|--------------|
| 2011-12 | 20110607 | CHINA P RP | 73049000 | CARBON STEEL SEAMLESS MOTHER PIPES GRADE DIN 17175 ST 35.8 | 155.31 | 49,759 | 77,27,993 | PUC |
| 2011-12 | 20110604 | CHINA P RP | 73043939 | CARBON STEEL SEAMLESS MOTHER PIPES/TUBES (HOT FINISH) OD:30MM WT. 3MM LENGTH : | 154.00 | 50,720 | 78,10,940 | PUC |
| 2011-12 | 20110615 | CHINA P RP | 73049000 | CARBON STEEL SEAMLESS PIPES AS PER ASTM A106 GR.B/API 5L GR.B/A53 GR.B | 150.00 | 34,077 | 51,11,488 | PUC |
| 2011-12 | 20110629 | JAPAN | 98010013 | 98010013 SEAMLESS PIPES(C/S)(S37/01/11)TO SPEC.SA106 | 148.00 | 80,602 | 1,19,29,083 | PUC |
| 2011-12 | 20110620 | CHINA P RP | 73041990 | CARBON STEEL SEAMLESS TUBES 38MM OD X 8MM THK X 5300MM LONG(ASTM A 106 GR B)480 | 148.00 | 49,443 | 73,17,542 | PUC |
| 2011-12 | 20110608 | BELGIUM | 73049000 | SECONDARY/DEFECTIVE CARBON STEEL SEAMLESS PIPE | 146.00 | 25,867 | 37,76,628 | PUC |
| 2011-12 | 20110610 | BELGIUM | 73042390 | SECONDARY DEFECTIVE CARBON STEEL SEAMLESS PIPES M.S. | 145.00 | 26,958 | 39,08,866 | PUC |
| 2011-12 | 20110528 | SINGAPORE | 73042990 | IN07-026-3 DRILLPIPES 5 - 5 OD, GRADE-S-135, 19.5 LB/FT RANGE 2 W/6-5/8 ODX3 | 140.00 | 57,118 | 79,96,553 | PUC |
| 2011-12 | 20110509 | GERMANY | 73043911 | COLD DRAWN SEAMLESS TUBES(SEAMLESS CARBON STEEL TUBES TOSPEC SA 210)(63.5 X 7.1 | 138.00 | 1,16,340 | 1,60,54,969 | PUC |
| 2011-12 | 20110528 | CHINA P RP | 73049000 | HIGH FREQUENCY STEEL PIPE 135X135*10 (CAPTIVE CONSUMPTION) | 132.00 | 36,580 | 48,28,526 | PUC |
| 2011-12 | 20110531 | CHINA P RP | 73049000 | CARBON STEEL SEAMLESS PIPES AS PER ASTM A 106/API 5L/A53 GRADE B | 128.00 | 33,456 | 42,82,391 | PUC |
| 2011-12 | 20110601 | CHINA P RP | 73041990 | CARBON STEEL SECONDARY DEFECTIVE SEAMLESS PIPE (C/O. SPAIN, ITALY & KOREA) | 128.00 | 24,484 | 31,33,890 | PUC |
| 2011-12 | 20110531 | CHINA P RP | 73049000 | CARBON STEEL SEAMLESS PIPES AS PER ASTM A 106/API 5L/A53 GRADE B | 126.00 | 33,670 | 42,42,375 | PUC |
| 2011-12 | 20110617 | CHINA P RP | 73049000 | COLD DRAWN SEAMLESS STEEL TUBES 130.50X7.75E355+SR5000-5800 | 120.30 | 61,121 | 73,52,938 | PUC |
| 2011-12 | 20110607 | CHINA P RP | 73042990 | 9 5/8 40# J55 BTC SMLS R2 CASING PIPES (203 PCS/ 203 BUNDLES)- 2008.87 MTR. | 119.59 | 52,491 | 62,77,202 | PUC |
| 2011-12 | 20110601 | CHINA P RP | 73049000 | SEAMLESS STEEL TUBE FOR | 119.50 | 60,714 | 72,55,382 | PUC |
| 2011-12 | 20110610 | ITALY | 98010013 | SEAMLESS CARBON STEEL PIPES(TO SPEC SA106)SIZE AS PER INVOICE S37/25/2010 GR-6 | 118.00 | 54,683 | 64,52,564 | PUC |
| 2011-12 | 20110620 | CHINA P RP | 73045110 | BEARING QUALITY STEEL TUBE SAE 52100 AND SUJ-3 (6905IR) SIZE 30.9 X 3.3MM | 112.47 | 74,072 | 83,30,997 | PUC |
| 2011-12 | 20110617 | CHINA P RP | 73045110 | BEARING QUALITY STEEL TUBE SAE 52100 AND SUJ-3 (TMB6306/25IR) SIZE 43.06 X 9.7 | 110.57 | 75,905 | 83,92,938 | PUC |
| 2011-12 | 20110613 | CHINA P RP | 73042400 | MS SEAMLESS PIPE 48.3MM X 5.5MM - 5.36 MTR (USD 6.20/MTR - TOTAL QTY 18963.68 M | 110.00 | 48,794 | 53,67,290 | PUC |
| 2011-12 | 20110530 | CHINA P RP | 73042400 | MS SEAMLESS PIPE 48.3MM X5.5 MM | 110.00 | 48,099 | 52,90,866 | PUC |
| 2011-12 | 20110613 | CHINA P RP | 73045920 | SEAMLESS PIPES-MATERIAL S355J2H, DIMENSION 133MM X4MM LENGTH6 METER | 106.00 | 56,197 | 59,56,873 | PUC |
| 2011-12 | 20110623 | GERMANY | 73045920 | SEAMLESS STEEL PIPES, BLACK PAINTING, CAP AND BV GRADE: ST52, SPEC: 133MM*4MM*6 | 105.00 | 53,177 | 55,83,534 | PUC |
| 2011-12 | 20110625 | CHINA P RP | 73049000 | CARBON STEEL SEAMLESS PIPE ASTM A106 GR. B SIZE 33.4 MM X 3.38 MM X 10000-11800 | 104.67 | 50,215 | 52,56,004 | PUC |
| 2011-12 | 20110613 | U K | 73049000 | SECONDARY SEAMLESS CARBON STEEL PIPES | 103.00 | 33,704 | 34,71,558 | PUC |
| 2011-12 | 20110616 | SAUDI ARAB | 73049000 | SECONDARY SECOND CHOICE CARBON STEEL SEAMLESS PIPE MIX SIZE MIX LOT | 103.00 | 26,620 | 27,41,862 | PUC |
| 2011-12 | 20110622 | OMAN | 73069090 | SECONDARY/DEFECTIVE MS PIPES OF MIX SIZES | 103.00 | 20,860 | 21,48,614 | PUC |
| 2011-12 | 20110612 | CHINA P RP | 73049000 | CARBON STEEL SEAMLESS PIPES API SPEC 5L B PSL1/ASTM A106 B | 103.00 | 34,795 | 35,83,863 | PUC |
| 2011-12 | 20110617 | U K | 73049000 | SECONDARY SECOND CHOICE CARBON STEEL SEAMLESS/WELDED PIPES | 102.21 | 26,319 | 26,90,132 | PUC |
| 2011-12 | 20110618 | CHINA P RP | 73049000 | CARBON STEEL SEAMLESS PIPE ASTM A 106 GR.B 26.7X3.91X5000-5800MM | 101.93 | 48,443 | 49,37,873 | PUC |
| 2011-12 | 20110615 | KOREA RP | 73041990 | CARBON STEEL SEAMLESS PIPE FOR COUPLING API 5CT (DIMS (MM) : 94.5 X 12.8, S | 101.00 | 46,628 | 47,09,393 | PUC |
| 2011-12 | 20110608 | GERMANY | 73042990 | SURPLUS CARBON STEEL PIPES SIZE 20 /24 /28 | 100.46 | 28,956 | 29,08,732 | PUC |
| 2011-12 | 20110611 | CHINA P RP | 73049000 | PRIME CARBON STEEL SEAMLESS PIPES TO ASTM A106 GR.B | 100.00 | 35,404 | 35,40,445 | PUC |
| 2011-12 | 20110614 | CHINA P RP | 73049000 | CARBON STEEL SEAMLESS PIPES TO ASTM A106 GRADE B | 100.00 | 33,973 | 33,97,254 | PUC |
| 2011-12 | 20110530 | CHINA P RP | 73049000 | COLD DRAWN SEAMLESS CARBON STEEL PIPES GRADE ASTM A106 GR.B | 100.00 | 33,244 | 33,24,384 | PUC |
| 2011-12 | 20110602 | ITALY | 73043911 | SEAMLESS CARBON STEEL TUBES TO SPEC SA 210 (20859.980 MTR @ EUR 621 PER MTR) | 98.00 | 85,879 | 84,16,178 | PUC |
| 2011-12 | 20110624 | CHINA P RP | 73049000 | CARBON STEEL SEAMLESS PIPES | 98.00 | 32,769 | 32,11,327 | PUC |
| 2011-12 | 20110608 | GERMANY | 73042990 | SURPLUS CARBON STEEL PIPES & FLANGES SIZE 2 /3 /6 /8 /10 /12 /14 /20 /24 | 97.38 | 29,040 | 28,27,898 | PUC |
| 2011-12 | 20110531 | POLAND | 73042990 | SURPLUS CARBON STEEL PIPES SIZE - 10 / 14 / 16 | 96.19 | 29,132 | 28,02,123 | PUC |
| 2011-12 | 20110622 | GERMANY | 73042990 | SURPLUS CARBON STEEL PIPES SIZE: 4 / 8 | 96.04 | 28,800 | 27,65,812 | PUC |
| 2011-12 | 20110531 | CHINA P RP | 73049000 | CARBON STEEL SEAMLESS PIPES ASTM A106 GR.B | 95.00 | 41,453 | 39,38,015 | PUC |

**Import Data from DGCIS [All Countries PUC]
Apr 2009 to Jun 2012**

| Year | Date | Country | ITC-HS | Item-Des | Quantity (MT) | Price (Rs./MT) | Value (Rs) | PUC/ NPUC |
|---------|----------|---------------|----------|---|---------------|----------------|-------------|--------------|
| 2011-12 | 20110610 | CHINA P RP | 73049000 | CARBON SEAMLESS STEEL PIPES STOCKLOT MIX SIZE | 95.00 | 29,673 | 28,18,947 | PUC |
| 2011-12 | 20110614 | JAPAN | 73043911 | PIPES- CARBON STEEL SEAMLESS PIPES (SA 106) SIZE: 219.1MMOD X 36MM WT X 8-9M | 91.84 | 86,257 | 79,21,801 | PUC |
| 2011-12 | 20110611 | CHINA P RP | 73045110 | BEARING QUALITY STEEL TUBE SAE 52100 AND SUJ-3 (TMB6007OR)SIZE 62.7 X 4.9MM | 90.12 | 76,698 | 69,12,321 | PUC |
| 2011-12 | 20110615 | JAPAN | 73049000 | SECOND CHOICE CARBON STEEL SEAMLESS PIPE | 89.00 | 35,151 | 31,28,428 | PUC |
| 2011-12 | 20110531 | CHINA P RP | 73045910 | CARBON STEEL SEAMLESS TUBES SA210M A1 SIZE 44.45 OD X 4.5 THK X 10000 L | 87.46 | 56,057 | 49,02,587 | PUC |
| 2011-12 | 20110603 | CHINA P RP | 73041990 | CARBON STEEL SEAMLESS PIPE (SIZE 141.3 X 6.55, 168.3 X 7.11& 139.7 X 10) | 87.07 | 41,998 | 36,56,700 | PUC |
| 2011-12 | 20110618 | TURKEY | 73041910 | PLAIN END SEAMLESS PIPES 5-1/2 OD {87.851 MTS = 2514.206 MTRS (OR) 261 PCS} | 86.05 | 60,351 | 51,93,501 | PUC |
| 2011-12 | 20110519 | U ARAB EMTS | 73049000 | M.S LOW CARBON SEC.DEF SEAMLESS PIPE | 86.00 | 25,765 | 22,15,777 | PUC |
| 2011-12 | 20110531 | CHINA P RP | 73049000 | CARBON STEEL SEAMLESS PIPE API 5L/ ASTM A 106 GR.B SIZE OD 60 MM X WT 5 M X LEN | 85.00 | 45,688 | 38,83,448 | PUC |
| 2011-12 | 20110608 | CHINA P RP | 73045110 | BEARING QUALITY STEEL TUBE SAE-52100 (BB 1103 OR) SIZE 72.28 X 60.20 MM | 83.25 | 76,328 | 63,53,895 | PUC |
| 2011-12 | 20110528 | CHINA P RP | 73045110 | BEARING QUALITY STEEL TUBE SAE-52100 (JPU51-15 OR) SIZE 51.25 X 35.61 MM | 82.47 | 76,033 | 62,70,658 | PUC |
| 2011-12 | 20110611 | CHINA P RP | 73045110 | BEARING QUALITY STEEL TUBE SAE 52100 (6004 MOR) SIZE 42.25 X 35.62 MM | 81.68 | 76,591 | 62,56,051 | PUC |
| 2011-12 | 20110614 | RUSSIA | 73041910 | PLAIN END SEAMLESS PIPES OF SIZE 4-1/2 OD {81.533 MTS = 4823.36 MTR (OR) 414 P | 81.53 | 47,019 | 38,33,599 | PUC |
| 2011-12 | 20110617 | ITALY | 73043939 | SEAMLESS STEEL PIPES PROCESS PIPES HF GRADE : ASTM A/ASME SA 333 SIZE : OD - 45 | 81.35 | 1,28,529 | 1,04,55,937 | PUC |
| 2011-12 | 20110611 | ITALY | 73049000 | SECONDARY M.S. PIPES OF MIX SIZES. | 80.00 | 23,313 | 18,65,008 | PUC |
| 2011-12 | 20110616 | JAPAN | 73045110 | SECONDARY AND DFEECTIVE SEAMLESS STEEL TUBES, GRADE: 100CR6, SIZE: THKXWIDTHX L | 78.55 | 38,070 | 29,90,390 | PUC |
| 2011-12 | 20110527 | JAPAN | 73042390 | 5 DRILL PIPES (QTY 216 JOINTS - UNIT PRICE 1755 USD) | 77.47 | 2,66,720 | 2,06,62,228 | PUC |
| 2011-12 | 20110621 | ROMANIA | 73049000 | SEAMLESS STELL PIPES ASME SA 210 GR. C, OD 44.45 MM X WT 6.60 MM X FL 5643 MM | 77.00 | 75,968 | 58,49,569 | PUC |
| 2011-12 | 20110620 | ITALY | 73049000 | SECONDARY SECOND CARBON STEEL SEAMLESS/ WELDED PIPE FITTINGS MIXED THICKNESS | 77.00 | 25,793 | 19,86,023 | PUC |
| 2011-12 | 20110613 | CHINA P RP | 73043119 | SKIVED AND BURNISHED TUBES(ID-135MM X OD-160MM.) | 76.37 | 19,094 | 14,58,237 | PUC |
| 2011-12 | 20110617 | SRI LANKA DSR | 73069090 | SEAMLESS COLD DRAWN TUBES FOR HYDRAULIC CYLINDERS (SIZE: 73.00 X 5.00 FIX 73 X | 74.85 | 2,11,767 | 1,58,51,346 | PUC |
| 2011-12 | 20110610 | CHINA P RP | 73043129 | HYDRAULIC CYLINDER TUBE 140*120(FOR CAPTIVE CONSUMPTION) | 74.40 | 26,218 | 19,50,615 | PUC |
| 2011-12 | 20110621 | GERMANY | 73049000 | CARBON STEEL SECOND CHOICE SEAMLESS PIPES | 71.00 | 25,525 | 18,12,300 | PUC |
| 2011-12 | 20110606 | ITALY | 73049000 | COLD DRAWN SEAMLESS STEEL TUBE92,50 X 7,75 E355 +SR 5000-5800 | 69.22 | 1,08,042 | 74,78,838 | PUC |
| 2011-12 | 20110513 | CHINA P RP | 73049000 | CARBON STEEL SEAMLESS PIPE ASTM A106 GRB OWXW.T 32X7MM INNER ID SHOULD BE 18.5M | 68.00 | 45,176 | 30,71,970 | PUC |
| 2011-12 | 20110606 | CHINA P RP | 73043911 | SEAMLESS CARBON STEEL TUBES (TO SPEC SA210)SIZE AS PER INVOICE | 67.00 | 67,082 | 44,94,511 | PUC |
| 2011-12 | 20110531 | CHINA P RP | 73049000 | CARBON STEEL SEAMLESS PIPE GR.B A106 | 66.00 | 35,339 | 23,32,395 | PUC |
| 2011-12 | 20110616 | CHINA P RP | 73045910 | BEARING STEEL TUBE 6304 OR-52.70 X 5.90OTHER TUBES MADE OF STEEL | 65.46 | 75,322 | 49,30,234 | PUC |
| 2011-12 | 20110616 | CHINA P RP | 73043119 | SEAMLESS COLD DRAWN BARS GRADE SAE52100 SIZE: 25.7 MM [C 0.97 SI 0.20 MN 0.28 C | 62.25 | 70,124 | 43,65,025 | PUC |
| 2011-12 | 20110604 | U K | 73045110 | STEEL TUBE DIA 4.76 0.55MM WITH ZINC COATED(CAPTIVE CONSUMPTION) | 61.00 | 36,632 | 22,34,568 | PUC |
| 2011-12 | 20110617 | CHINA P RP | 73049000 | CARBON STEEL SEAMLESS PIPE (SIZE : 134*4.5*5865MM) | 60.00 | 44,004 | 26,40,220 | PUC |
| 2011-12 | 20110607 | SINGAPORE | 73041910 | SEC/DEF STEEL PIPES | 55.00 | 22,727 | 12,50,011 | PUC |
| 2011-12 | 20110524 | CHINA P RP | 73043119 | HOT FINISHED SEAMLESS ALLOY&CARBON STEEL PIPES.ASME SA106 GR C 273.0X32.00X8.5M | 55.00 | 87,475 | 48,11,129 | PUC |
| 2011-12 | 20110613 | U ARAB EMTS | 73049000 | SECONDARY SECOND CHOICE CARBON STEEL SEAMLESS PIPE MIX SIZEMIX LOT | 53.00 | 25,654 | 13,59,688 | PUC |
| 2011-12 | 20110530 | CHINA P RP | 73049000 | ASTM A106 GR.B CARBON STEEL PIPE 5-8 MTRS (OD X THICKNESS 273X25MM) | 53.00 | 49,426 | 26,19,554 | PUC |
| 2011-12 | 20110618 | CHINA P RP | 73049000 | SEAMLESS ROLL TUBE (SIZE:68X6.0 MM) (CAPTIVE CONSUMPTION) | 53.00 | 44,404 | 23,53,427 | PUC |
| 2011-12 | 20110615 | CHINA P RP | 73049000 | CARBON STEEL SEAMLESS BLACK PIPE PRIME API 5L/ASTM A106/A53GR.B | 53.00 | 34,885 | 18,48,905 | PUC |
| 2011-12 | 20110604 | U S A | 73045110 | SEAMLESS STEEL BLACK PIPES AS PER API 5L/ASTM A106/A53 GRADE B 50*5.5 MM | 52.00 | 45,237 | 23,52,322 | PUC |
| 2011-12 | 20110525 | CHINA P RP | 73045110 | COLD DRAWN CARBON STEEL SEAMLESS TUBES DIN 17175,ST35.8. | 52.00 | 50,361 | 26,18,775 | PUC |
| 2011-12 | 20110620 | ITALY | 73049000 | SECONDARY SECOND CARBON STEEL SEAMLESS/ WELDED PIPES MIXEDTHICKNESS MIXED LOT. | 51.00 | 25,742 | 13,12,839 | PUC |
| 2011-12 | 20110608 | BELGIUM | 73049000 | SECONDARY DEFECTIVE CRBON STEEL SEAMLESS PIPES | 51.00 | 25,570 | 13,04,056 | PUC |

**Import Data from DGCIS [All Countries PUC]
Apr 2009 to Jun 2012**

| Year | Date | Country | ITC-HS | Item-Des | Quantity (MT) | Price (Rs./MT) | Value (Rs) | PUC/ NPUC |
|---------|----------|-------------|----------|---|---------------|----------------|------------|--------------|
| 2011-12 | 20110623 | CHINA P RP | 73049000 | CARBON STEEL SEAMLESS TUBES | 51.00 | 61,157 | 31,18,993 | PUC |
| 2011-12 | 20110531 | CHINA P RP | 73045110 | COLD DRAWN SEAMLESS CARBON STEEL TUBES ASTM A 519 GRADE 37MN5 (SIZE: 73.0 X 6.2 | 51.00 | 56,960 | 29,04,940 | PUC |
| 2011-12 | 20110614 | CHINA P RP | 73043939 | SEAMLESS PIPES 60 X 12.5X1M TO 5.8M API 5L/ASTM A106 (OD 60MM) | 51.00 | 45,194 | 23,04,919 | PUC |
| 2011-12 | 20110606 | THAILAND | 73049000 | SECONDARY UNSORTED SEAMLESS CARBON STEEL PIPES | 50.00 | 32,005 | 16,00,267 | PUC |
| 2011-12 | 20110616 | U S A | 73041990 | SECONDAERY/DEFECTIVE CARBON STEEL SEAMLESS PIPES | 50.00 | 26,527 | 13,26,353 | PUC |
| 2011-12 | 20110609 | U ARAB EMTS | 73049000 | MS SEAMLESS PIPES SECONDARY DEFECTIVE | 50.00 | 26,249 | 13,12,438 | PUC |
| 2011-12 | 20110613 | U ARAB EMTS | 73049000 | SECONDARY SECOND CHOICE CARBON STEEL SEAMLESS PIPE MIX SIZEMIX LOT | 50.00 | 26,007 | 13,00,336 | PUC |
| 2011-12 | 20110601 | CHINA P RP | 73049000 | SEAMLESS STEEL TUBE FOR | 50.00 | 60,715 | 30,35,725 | PUC |
| 2011-12 | 20110602 | CHINA P RP | 73045110 | CARBON STEEL SEAMLESS TUBES AS PER DIN 17175 ST35.8 - SIZE:- OD:27MM, WT:3MM, L | 50.00 | 50,443 | 25,22,162 | PUC |
| 2011-12 | 20110620 | CHINA P RP | 73049000 | CARBON STEEL SEAMLESS PIPE CONFORMING TO ASTM A106 GR.B | 50.00 | 46,576 | 23,28,802 | PUC |
| 2011-12 | 20110617 | CHINA P RP | 73049000 | CARBON STEEL SEAMLESS PIPES API SPEC 5L B PSL1/ASTM A106 B | 50.00 | 34,947 | 17,47,331 | PUC |
| 2011-12 | 20110623 | SLOVENIA | 73043919 | SEAMLESS STEEL TUBES 254.0X25.0 MM(FOR CAPTIVE CONSUMPTION) | 50.00 | 65,908 | 32,95,217 | PUC |
| 2011-12 | 20110613 | CHINA P RP | 73043119 | SEAMLESS STEEL PIPES API 5L GR. B 44.5 X 6.75 X 5000-5800MM | 49.87 | 49,169 | 24,51,914 | PUC |
| 2011-12 | 20110620 | FRANCE | 73045910 | SEAMLESS ALLOY STEEL TUBES(7164.500MTR@ EUR 13.59 PER MTR) | 49.00 | 1,29,117 | 63,26,739 | PUC |
| 2011-12 | 20110524 | CHINA P RP | 73043119 | HOT FINISHED SEAMLESS ALLOY&CARBON STEEL PIPES.ASME SA106 GR C.273.0X32.00X8.5M | 49.00 | 82,339 | 40,34,618 | PUC |
| 2011-12 | 20110609 | CHINA P RP | 73049000 | HOT FINISHED CARBON STEEL SEAMLESS TUBES AS PER DIN17175 ST35.8 SIZE 42 X 4 X 1 | 49.00 | 48,597 | 23,81,273 | PUC |
| 2011-12 | 20110620 | SAUDI ARAB | 73049000 | SECONDARY SECOND CARBON STEEL SEAMLESS / WELDED PIPE FITTINGS, MIXED THICKNESS | 48.00 | 26,061 | 12,50,937 | PUC |
| 2011-12 | 20110526 | CHINA P RP | 73049000 | CARBON STEEL SEAMLESS PIPE ASTM A106 GR.B DN600XSCH20 | 47.00 | 57,103 | 26,83,837 | PUC |
| 2011-12 | 20110602 | CHINA P RP | 73049000 | SEAMLESS STEEL PIPES 38.1 X 4.7 X 4600 MM | 47.00 | 52,994 | 24,90,706 | PUC |
| 2011-12 | 20110505 | CHINA P RP | 73049000 | CARBON STEEL SEAMLESS PIPES | 47.00 | 33,443 | 15,71,834 | PUC |
| 2011-12 | 20110607 | ITALY | 73049000 | COLD DRAWN SEAMLESS STEEL TUBE140,00 X 10,00 E355 +SR1,00-1,00 | 46.09 | 84,534 | 38,95,823 | PUC |
| 2011-12 | 20110606 | CHINA P RP | 73045110 | BEARING QUALITY STEEL TUBE SAE 52100 AND SUJ-3 (TMB6007OR)SIZE 62.7 X 4.9 MM | 45.68 | 80,088 | 36,58,570 | PUC |
| 2011-12 | 20110528 | CHINA P RP | 73045110 | BEARING QUALITY STEEL TUBE SAE-52100 AND SUJ-3 (TMB6304OR) SIZE 52.6 X 5.5 MM | 45.44 | 74,259 | 33,74,623 | PUC |
| 2011-12 | 20110601 | JAPAN | 73041910 | LEG BRACING PIPES FOR ONGC JUR SAGAR RATNA | 45.34 | 2,08,053 | 94,32,896 | PUC |
| 2011-12 | 20110615 | CHINA P RP | 73043119 | STEEL TUBES [113X99.5X4984MM ST52.3BKS | 45.00 | 67,650 | 30,44,241 | PUC |
| 2011-12 | 20110528 | JAPAN | 73049000 | SEAMLESS ALLOY STEEL TUBES JIS G3441 SCM415TK 36.70MM OD X 28.10MM ID X 5M | 44.92 | 1,40,995 | 63,33,507 | PUC |
| 2011-12 | 20110613 | MALAYSIA | 73049000 | SECONDARY /DEFECTIVE CARBON STEEL SEAMLESS PIPES | 44.00 | 26,117 | 11,49,136 | PUC |
| 2011-12 | 20110606 | CHINA P RP | 73041190 | ASTMA 106GR. B SEAMLESS STEEL PIPE (32MM*7MM*5.35M) | 44.00 | 40,077 | 17,63,368 | PUC |
| 2011-12 | 20110615 | ITALY | 73043121 | SEAMLESS COLD DRAWN TUBES FOR HYDRAULIC CYLINDERS 28 NOS 142.70 MTS 127.00X**** | 42.76 | 1,05,920 | 45,28,909 | PUC |
| 2011-12 | 20110615 | CHINA P RP | 73043929 | STEEL TUBES [137X124.5X1433MM ST52.3BKS | 42.00 | 68,098 | 28,60,116 | PUC |
| 2011-12 | 20110624 | CHINA P RP | 73045110 | BEARING QUALITY STEEL TUBE SAE-52100 (6306 OR) SIZE 72.28 X59.81 MM | 41.95 | 74,269 | 31,15,226 | PUC |
| 2011-12 | 20110616 | CHINA P RP | 73045110 | BEARING QUALITY STEEL TUBE SAE-52100 (6303 M IR) SIZE 26.78X 16.81 MM | 40.53 | 77,977 | 31,60,182 | PUC |
| 2011-12 | 20110621 | GERMANY | 73043939 | STEEL TUBES, HEAVY WALL, SMLS 273,00 50,00 MM S355J2H EN 10210 3.1 DIN EN 10204 | 40.16 | 1,18,596 | 47,62,860 | PUC |
| 2011-12 | 20110602 | CHINA P RP | 73049000 | CARBON STEEL SEAMLESS PIPE (SIZE 134X4.5X5865MM) | 40.00 | 43,846 | 17,53,837 | PUC |
| 2011-12 | 20110629 | CHINA P RP | 73069090 | BEARING SEAMLESS CUT TUBES - 6002 OR - CUT BLANKS (COMPOSITION-C-0.93-1.05,MN-0 | 38.30 | 1,64,609 | 63,04,369 | PUC |
| 2011-12 | 20110521 | U ARAB EMTS | 73045110 | STEEL TUBE DIA 4.76 X 0.60MM WITH COPPER COATED(CAPTIVE CONSUMPTION) | 37.00 | 35,887 | 13,27,815 | PUC |
| 2011-12 | 20110608 | U ARAB EMTS | 73049000 | M.S. DEFECTIVE PIPES | 37.00 | 25,612 | 9,47,647 | PUC |
| 2011-12 | 20110621 | ARGENTINA | 73049000 | OIL WELL EQUIPMENT : PIPE CS SMLS. 10 SCH 80. API 5L/A106/A53 GRB/X42.. 12MT | 36.01 | 83,200 | 29,96,354 | PUC |
| 2011-12 | 20110621 | CHINA P RP | 73045110 | COLD DRAWN SEAMLESS CARBON STEEL TUBES GRADE: 37MN5 (SIZE: 88.90 X 5.5 X 3100 M | 33.00 | 57,989 | 19,13,628 | PUC |
| 2011-12 | 20110621 | CHINA P RP | 73043921 | SEAMLESS CARBON STEEL PIPES (TO SPEC SA106)OD 127.00X20.00X6000 | 33.00 | 54,165 | 17,87,451 | PUC |
| 2011-12 | 20110511 | CHINA P RP | 73045110 | STEEL TUBE DIA 4.76 X 0.65MM WITH COPPER COATED(CAPTIVE CONSUMPTION) | 32.95 | 66,914 | 22,05,000 | PUC |

**Import Data from DGCIS [All Countries PUC]
Apr 2009 to Jun 2012**

| Year | Date | Country | ITC-HS | Item-Des | Quantity (MT) | Price (Rs./MT) | Value (Rs) | PUC/ NPUC |
|---------|----------|-------------|----------|---|---------------|----------------|------------|--------------|
| 2011-12 | 20110505 | CHINA P RP | 73043931 | SEAMLESS CARBON STEEL PIPES[SIZE: OD 127.00 X11.50 X7000] TO SPEC SA106 [189 MT | 32.00 | 52,541 | 16,81,309 | PUC |
| 2011-12 | 20110613 | CHINA P RP | 73043129 | HONED SEAMLESS STEEL CYLINDER TUBES 203X180XR/L | 32.00 | 43,597 | 13,95,102 | PUC |
| 2011-12 | 20110604 | CHINA P RP | 73045110 | STEEL TUBE DIA 4.76 0.55MM WITH ZINC COATED(CAPTIVE CONSUMPTION) | 31.42 | 71,124 | 22,34,568 | PUC |
| 2011-12 | 20110531 | CHINA P RP | 73045110 | CARBON SEAMLESS STEEL PIPE ASME SA 106 GR-B (2007EDITION ADDENDA)API 5L-B PSL 1 | 30.00 | 40,157 | 12,04,696 | PUC |
| 2011-12 | 20110616 | U ARAB EMTS | 73049000 | M.S.SECONDARY DEFECTIVE SEAMLESS PIPE | 29.00 | 25,611 | 7,42,709 | PUC |
| 2011-12 | 20110616 | U ARAB EMTS | 73049000 | M.S.SECONDARY DEFECTIVE SEAMLESS PIPE | 28.00 | 26,138 | 7,31,869 | PUC |
| 2011-12 | 20110603 | JAPAN | 73049000 | BEARING QUALITY STEEL TUBES SAE52100 OD62.90MM X WT4.85MM | 27.43 | 96,447 | 26,45,248 | PUC |
| 2011-12 | 20110609 | KENYA | 73049000 | STEEL TUBES OD 139.7 MM X WT 17.5 MM SA-106 GRADE B | 27.30 | 1,15,995 | 31,66,897 | PUC |
| 2011-12 | 20110618 | ITALY | 73041910 | SEAMLESS PIPES ACC TO API 5L/ASTM A103 GR B OD 273.1 MMWT 25.4 MM | 27.00 | 46,021 | 12,42,561 | PUC |
| 2011-12 | 20110520 | U ARAB EMTS | 73049000 | M.S. SECONDARY DEFECTIVE SEAMLESS PIPE | 27.00 | 28,380 | 7,66,257 | PUC |
| 2011-12 | 20110616 | U ARAB EMTS | 73049000 | M.S. SECONDARY DEFECTIVE SEAMLESS PIPE | 27.00 | 25,682 | 6,93,418 | PUC |
| 2011-12 | 20110624 | CHINA P RP | 73043119 | COLD DRAWN CARBON STEEL SEAMLESS TUBES ASTM A-106 GRADE : B44.45MMX5.1MMX5.8 ME | 27.00 | 44,692 | 12,06,674 | PUC |
| 2011-12 | 20110601 | CHINA P RP | 73045110 | C R ANNEALED STEEL PIPE(| 26.81 | 48,862 | 13,10,051 | PUC |
| 2011-12 | 20110525 | CHINA P RP | 73041910 | HOLLOW BAR/BAR STOCK OF RELEVANT DIA (6-5/8 OD) | 26.77 | 1,85,749 | 49,72,819 | PUC |
| 2011-12 | 20110521 | U ARAB EMTS | 73049000 | SECONDARY SECOND CHOICE CARBON STEEL SEAMLESS/WELDED PIPES | 26.59 | 25,438 | 6,76,396 | PUC |
| 2011-12 | 20110611 | CHINA P RP | 73049000 | SECONDARY SECOND CHOICE CARBON STEEL SEAMLESS/WELDED PIPES | 26.45 | 25,852 | 6,83,775 | PUC |
| 2011-12 | 20110531 | BELGIUM | 73049000 | CARBON STEEL SEAMLESS PIPES AS PER ASTM A 106/API 5L/A53 GRADE B | 26.00 | 33,397 | 8,68,322 | PUC |
| 2011-12 | 20110602 | CHINA P RP | 73045110 | CARBON STEEL SEAMLESS TUBES - SIZE:- OD:38 X THK:4 X LENGTH:10000-11800 MM | 26.00 | 52,453 | 13,63,777 | PUC |
| 2011-12 | 20110525 | CHINA P RP | 73045110 | COLD DRAWN CARBON STEEL SEAMLESS TUBES ASTM A106/API 5LGR.BWITHOUT PICKLING AND | 26.00 | 51,328 | 13,34,529 | PUC |
| 2011-12 | 20110616 | CHINA P RP | 73049000 | CARBON SEAMLESS STEEL PIPE OD 89 MM | 26.00 | 46,098 | 11,98,544 | PUC |
| 2011-12 | 20110624 | CHINA P RP | 73043119 | COLD DRAWN CARBON STEEL SEAMLESS TUBES ASTM A - 106 GRADE :B 48.3MMX5.08MM X 5. | 26.00 | 45,719 | 11,88,687 | PUC |
| 2011-12 | 20110601 | CHINA P RP | 73049000 | CARBON STEEL SEAMLESS PIPE ASTM A106-B/A53-B | 26.00 | 39,185 | 10,18,811 | PUC |
| 2011-12 | 20110622 | CHINA P RP | 73049000 | CARBON STEEL SEAMLESS PIPE | 26.00 | 37,864 | 9,84,470 | PUC |
| 2011-12 | 20110614 | CHINA P RP | 73049000 | SECONDARY SECOND CARBON STEEL SEAMLESS/ WELDED PIPES, MIXEDTHICKNESS MIXED LOT. | 26.00 | 26,119 | 6,79,091 | PUC |
| 2011-12 | 20110524 | SWEDEN | 73045110 | SECONDARY AND DEFECTIVE SEAMLESS STEEL TUBES , GRADE: 100 CR6 SIZE: THICK XWIDT | 25.91 | 37,821 | 9,79,930 | PUC |
| 2011-12 | 20110613 | CHINA P RP | 73043911 | SEAMLESS TUBULARS - API 5L GRADE X52 PSL-2 SIZE: 20 (11.00MTRS.) | 25.78 | 1,61,502 | 41,63,043 | PUC |
| 2011-12 | 20110607 | NETHERLAND | 73043939 | SEAMLESS PIPES (SIZE:60MM OD X 12.5MM WT X 1-5.8M L) API 5L/ASTM A106 GR.B | 25.00 | 45,713 | 11,42,837 | PUC |
| 2011-12 | 20110530 | U S A | 73043911 | SECONDARY DEFECTIVE MS SEAMLESS PIPE | 25.00 | 26,566 | 6,64,145 | PUC |
| 2011-12 | 20110613 | BELGIUM | 73049000 | M.S.SEAMLESS PIPE SECONDARY MIX | 25.00 | 26,082 | 6,52,061 | PUC |
| 2011-12 | 20110531 | CHINA P RP | 73041990 | CS SEAMLESS TUBES 32MM X 6.75MM X 4200MM(ASTM A 106 GR B) 1474 PCS/ 6191 MTR | 25.00 | 54,133 | 13,53,330 | PUC |
| 2011-12 | 20110618 | CHINA P RP | 73049000 | SEAMLESS SQUARE TUBE (SIZE:135X135X12 MM) (CAPTIVE CONSUMPTION) | 25.00 | 41,601 | 10,40,030 | PUC |
| 2011-12 | 20110531 | CHINA P RP | 73049000 | CARBON STEEL SEAMLESS PIPES GRADE ASTM A106-B | 25.00 | 40,664 | 10,16,590 | PUC |
| 2011-12 | 20110601 | CHINA P RP | 73041910 | COLD DRAWN SEAMLESS STEE | 24.45 | 52,954 | 12,94,725 | PUC |
| 2011-12 | 20110521 | CHINA P RP | 73044900 | SEAMLESS CARBON STEEL PIPE AS PER ASTM A106 GR. B SIZE(MM):76.1 X 5.1 X 1850 | 24.00 | 46,049 | 11,05,182 | PUC |
| 2011-12 | 20110530 | CHINA P RP | 73045110 | SEAMLESS CARBON STEEL PIPE, GRADE: API SPEC 5L B PSL 1/ASTMA106 B, SIZE: 60.3MM | 24.00 | 41,983 | 10,07,581 | PUC |
| 2011-12 | 20110607 | CHINA P RP | 73041910 | SEAMLESS STEEL TUBES ST52 (MS) (73*63*4500-5800MM) | 23.83 | 39,439 | 9,39,907 | PUC |
| 2011-12 | 20110614 | CHINA P RP | 73043919 | CARBON STEEL SEAMLESS TUBES GRADE ST 52(OD:60, ID:50 MM) | 23.67 | 67,732 | 16,03,149 | PUC |
| 2011-12 | 20110614 | CHINA P RP | 73049000 | ALLOY STEEL SEAMLESS TUBE 20CR 26 X 15.9 (OD X ID) | 23.20 | 66,718 | 15,48,130 | PUC |
| 2011-12 | 20110527 | SINGAPORE | 73045920 | HOT FINISHED CARBON STEEL SEAMLESS MOTHER PIPES [193.7MM X23.02MM X 8.53M X 14 | 23.00 | 58,931 | 13,55,413 | PUC |
| 2011-12 | 20110602 | SINGAPORE | 73041910 | SEC/DEF STEEL PIPES | 23.00 | 23,043 | 5,29,996 | PUC |
| 2011-12 | 20110530 | CHINA P RP | 73049000 | CARBON STEEL SEAMLESS PIPE GCR15/SAE52100 SIZE 36MM OD X 4MM WT | 23.00 | 58,689 | 13,49,853 | PUC |

**Import Data from DGCIS [All Countries PUC]
Apr 2009 to Jun 2012**

| Year | Date | Country | ITC-HS | Item-Des | Quantity (MT) | Price (Rs./MT) | Value (Rs) | PUC/ NPUC |
|---------|----------|-------------|----------|---|---------------|----------------|------------|--------------|
| 2011-12 | 20110504 | CHINA P RP | 73043931 | SEAMLESS CARBON STEEL PIPES[SIZE: OD 127.00 X11.50 X6000] TO SPEC SA106 (696 MT | 23.00 | 51,312 | 11,80,178 | PUC |
| 2011-12 | 20110517 | CHINA P RP | 73041190 | CARBON STEEL SEAMLESS PIPE SAE-1040,GRADE,CDS88.9MMX4.2MMX3000MM | 23.00 | 30,516 | 7,01,861 | PUC |
| 2011-12 | 20110601 | U ARAB EMTS | 73045110 | 3.500"X2.000"X0.750 | 22.88 | 21,223 | 4,85,501 | PUC |
| 2011-12 | 20110601 | CHINA P RP | 73041910 | COLD DRAWN SEAMLESS STEE | 22.46 | 60,715 | 13,63,891 | PUC |
| 2011-12 | 20110518 | CHINA P RP | 73041110 | SEAMLESS CARBON STEEL PIPE ,ASTM A106GR B 101.6X10 (11.198MT101.6X12.5(11.054 M | 22.25 | 31,950 | 7,10,951 | PUC |
| 2011-12 | 20110610 | FRANCE | 73049000 | HOT FINISHED SEAMLESS STEEL TUBES ASME SA 210, GR C, OD 54MM X WT 9.14MM X F/L | 22.00 | 78,430 | 17,25,449 | PUC |
| 2011-12 | 20110615 | U S A | 73043911 | SECONDARY DEFECTIVE MS SEAMLESS PIPE | 22.00 | 26,925 | 5,92,349 | PUC |
| 2011-12 | 20110527 | GERMANY | 73049000 | SCEONDARY MS PIPES OF MIX SIZES. | 22.00 | 22,605 | 4,97,301 | PUC |
| 2011-12 | 20110617 | CHINA P RP | 73049000 | COLD DRAWN SEAMLESS CARBON STEEL TUBES37.20 X 8.35 X 4500-5000MM (C 45) | 22.00 | 57,215 | 12,58,726 | PUC |
| 2011-12 | 20110608 | CHINA P RP | 73043911 | C.S.SEAMLESS STEEL PIPES ASTM A106 GRB 141.3 X 6.55 MM | 22.00 | 32,302 | 7,10,648 | PUC |
| 2011-12 | 20110601 | FRANCE | 73041110 | STEEL TUBE - TUBE EN10219-1/2 S275JOH 80 X 40 X 5 (N01374) | 21.39 | 77,686 | 16,61,703 | PUC |
| 2011-12 | 20110601 | CHINA P RP | 73044900 | SEAMLESS STEEL PIPE ST52/Q345B OD*WT 48*5*5-6M | 21.22 | 47,158 | 10,00,648 | PUC |
| 2011-12 | 20110408 | CHINA P RP | 73041990 | MARINE STEEL PIPES FOR HULL.NO.11140 | 21.17 | 20,710 | 4,38,440 | PUC |
| 2011-12 | 20110613 | CHINA P RP | 73043119 | HONED SEAMLESS STEEL CYLINDER TUBES 85X95X2610 | 21.00 | 19,078 | 4,00,640 | PUC |
| 2011-12 | 20110613 | CHINA P RP | 73043139 | HYDRAULIC CYLINDER TUBE (SIZE: 95 X 80 MM) | 20.93 | 81,345 | 17,02,814 | PUC |
| 2011-12 | 20110530 | CHINA P RP | 73049000 | COLD DRAWN SEAMLESS PIN STEEL TUBE SCM415H OD15.30MM X ID 11.00MM | 20.00 | 1,25,592 | 25,11,849 | PUC |
| 2011-12 | 20110613 | CHINA P RP | 73043119 | SEAMLESS STEEL TUBE BK,5-5.8 METER27.10 X 14.20 -#20 | 20.00 | 58,411 | 11,68,227 | PUC |
| 2011-12 | 20110604 | CHINA P RP | 73045110 | PRIME CDS HOLLOW SEAMLESS TUBES SIZE : OD 69.85 MM X THK 6 MM X LENGHT 5750 MM) | 20.00 | 51,307 | 10,26,139 | PUC |
| 2011-12 | 20110611 | CHINA P RP | 73049000 | M.S.DEFECTIVE PIPES | 20.00 | 26,272 | 5,25,448 | PUC |
| 2011-12 | 20110602 | FRANCE | 73043129 | HP TUBES 2.4 X 6 ST 52 - INJECTURE HAUTE PRESSION (10728 MTR) | 19.94 | 58,540 | 11,67,296 | PUC |
| 2011-12 | 20110615 | CHINA P RP | 73045910 | CARBON STEEL SEAMLESS TUBES GRADE: SA210 -A1 SIZE : 57.15 MM OD X 6.35 MM M WT | 19.78 | 78,683 | 15,56,026 | PUC |
| 2011-12 | 20110615 | CHINA P RP | 73049000 | CARBON STEEL SEAMLESS PIPES ASTM A106 GR.B/API 5L GR.B | 19.00 | 32,461 | 6,16,767 | PUC |
| 2011-12 | 20110629 | ITALY | 73069090 | BEARING SEAMLESS CUT TUBES - 6202 IR - CUT BLANKS (COMPOSITION-C-0.93-1.05,MN-0 | 18.84 | 1,63,695 | 30,83,688 | PUC |
| 2011-12 | 20110330 | CHINA P RP | 73042390 | HYDRAULIC CYLINDER TUBE | 18.84 | 58,282 | 10,97,913 | PUC |
| 2011-12 | 20110614 | CHINA P RP | 73045910 | BEARING SEAMLESS STEEL TUBE 6001OR 28.60X3.00 | 18.37 | 97,236 | 17,86,226 | PUC |
| 2011-12 | 20110528 | CHINA P RP | 73049000 | HIGH FREQUENCY STEEL PIPE 135X135*10 (CAPTIVE CONSUMPTION) | 18.00 | 36,349 | 6,54,282 | PUC |
| 2011-12 | 20110520 | CHINA P RP | 73041990 | IRON AND STEEL TUBES | 17.05 | 35,550 | 6,06,092 | PUC |
| 2011-12 | 20110611 | JAPAN | 73041910 | C.R. ALLOY STEEL TUBE FOR BEARING OD35.75MM X WT6.00MM | 17.00 | 1,12,653 | 19,15,102 | PUC |
| 2011-12 | 20110527 | ITALY | 73045920 | HOT FINISHED CARBON STEEL SEAMLESS MOTHER PIPES [193.6MM X25.4MM X 9.8M X 9] | 17.00 | 57,857 | 9,83,575 | PUC |
| 2011-12 | 20110528 | JAPAN | 73049000 | BEARING QUALITY STEEL TUBES SAE52100 OD57.90MM X WT6.55MM | 16.50 | 93,100 | 15,36,335 | PUC |
| 2011-12 | 20110609 | CHINA P RP | 73045920 | HOT FINISHED CARBON STEEL SEAMLESS MOTHER PIPES [193.7MM X23.02 MM X 8.53M X 1 | 16.00 | 57,143 | 9,14,292 | PUC |
| 2011-12 | 20110603 | ITALY | 73043121 | SEAMLESS COLD DRAWN TUBES FOR HYDRAULIC CYLINDERS 14 NOS 185,00X****X17,50MM | 15.90 | 1,07,448 | 17,08,312 | PUC |
| 2011-12 | 20110621 | ITALY | 73049000 | COLD DRAWN SEAMLESS STEEL TUBE97,50X6,00 E355 +SR,10-1,00 | 15.67 | 1,26,571 | 19,83,394 | PUC |
| 2011-12 | 20110617 | CHINA P RP | 73045110 | 4MM* 0.7MM SINGLE SIDE ZINC COATED STEEL TUBE (FOR CAPATIVE CONSUMPTION) | 15.38 | 76,139 | 11,70,816 | PUC |
| 2011-12 | 20110526 | U ARAB EMTS | 73041990 | SECONDARY/DEFECTIVE CARBON STEEL SEAMLESS PIPE | 15.00 | 26,796 | 4,01,940 | PUC |
| 2011-12 | 20110616 | CHINA P RP | 73049000 | CARBON STEEL SEAMLESS PIPES AS PER API 5L/ASTM A106 GR.B | 15.00 | 58,960 | 8,84,401 | PUC |
| 2011-12 | 20110614 | FRANCE | 73043911 | SEAMLESS TUBULARS (API-5L-GRADE X52, PSL-2) SIZE: 16 (10.62 METERS) (C.O. FRA | 14.15 | 1,03,969 | 14,71,372 | PUC |
| 2011-12 | 20110614 | NETHERLAND | 73045920 | HOT FINISHED CARBON STEEL SEAMLESS MOTHER PIPES [140MM X 12.7 MM X 5.53M X 6] | 14.00 | 57,789 | 8,09,051 | PUC |
| 2011-12 | 20110518 | CHINA P RP | 73043119 | COLD DRAWN CARBON STEEL SEAMLESS PIPE SAE-1040 | 14.00 | 37,025 | 5,18,347 | PUC |
| 2011-12 | 20110531 | CHINA P RP | 73049000 | CARBON STEEL SEAMLESS PIPES API SPEC 5L B PSL1/ASTM A106 B | 14.00 | 29,274 | 4,09,842 | PUC |
| 2011-12 | 20110617 | JAPAN | 73043121 | COLD DRAWN ERW STEEL TUBES CST540E 141X120X6665MM(MULTIPLE LENGTH) | 13.00 | 1,50,089 | 19,51,158 | PUC |

**Import Data from DGCIS [All Countries PUC]
Apr 2009 to Jun 2012**

| Year | Date | Country | ITC-HS | Item-Des | Quantity (MT) | Price (Rs./MT) | Value (Rs) | PUC/ NPUC |
|---------|----------|-------------|----------|--|---------------|----------------|------------|--------------|
| 2011-12 | 20110609 | JAPAN | 73045920 | HOT FINISHED CARBON STEEL SEAMLESS MOTHER PIPES [219.1MM X 20.62MM X 9.97M X | 13.00 | 57,206 | 7,43,676 | PUC |
| 2011-12 | 20110527 | GERMANY | 73049000 | PIPE A333 GR.6 (OD 8 SCH 20 LENGTH 6000 MM) | 12.26 | 1,31,864 | 16,15,995 | PUC |
| 2011-12 | 20110602 | MALAYSIA | 73049000 | SEAMLESS STEEL TUBES , BK ST 5248.35 +/- 0.10 X 28.00 +/- 0.10 | 12.00 | 55,074 | 6,60,893 | PUC |
| 2011-12 | 20110608 | U ARAB EMTS | 73049000 | M.S.DEFECTIVE PIPES | 12.00 | 25,549 | 3,06,584 | PUC |
| 2011-12 | 20110603 | JAPAN | 73049000 | BEARING QUALITY STEEL TUBES SAE52100 OD33.65MM X WT6.60MM | 11.90 | 1,06,775 | 12,70,947 | PUC |
| 2011-12 | 20110531 | JAPAN | 73049000 | COLD DRAWN SEAMLESS TUBE ITEM NO. RGPS026 19.15(+/-0.08/-0)X11.5(+/-0.1)MM GRA | 10.66 | 2,67,469 | 28,51,216 | PUC |
| 2011-12 | 20110620 | U S A | 73043911 | PIPES - SEAMLESS CARBON STEEL PIPES (SA 106) | 10.32 | 2,01,621 | 20,79,722 | PUC |
| 2011-12 | 20110531 | JAPAN | 73049000 | COLD DRAWN SEAMLESS TUBE ITEM NO. RGPS033 13.15(+0.08/-0) X9.0(+0.2/-0)MM GRAD | 9.53 | 2,75,527 | 26,26,875 | PUC |
| 2011-12 | 20110621 | CHINA P RP | 73042390 | NEW DRILL PIPES 2-7/8 OD, RIGHT HAND THREAD STEEL GRADE G-105, 10.4 PPF NOMINA | 9.30 | 1,44,363 | 13,42,110 | PUC |
| 2011-12 | 20110627 | JAPAN | 73049000 | COLD DRAWN SEAMLESS TUBE (PIN STEEL) ITEM NO. RGPP00218.15(+0.08/-0) X12.0(+/- | 9.27 | 2,76,618 | 25,64,527 | PUC |
| 2011-12 | 20110621 | ROMANIA | 73043911 | SEAMLESS CARBON STEEL PIPES (TO SPEC SA 106)OD 88.90 X 15.24X6000 | 9.00 | 55,383 | 4,98,448 | PUC |
| 2011-12 | 20110602 | CHINA P RP | 73049000 | SEAMLESS STEEL TUBE GRADE : SAE1010(OD26.90MM X THK 5.00MM X LENGTH 3.5 M) | 9.00 | 46,375 | 4,17,375 | PUC |
| 2011-12 | 20110525 | CHINA P RP | 73042990 | STEEL TUBE :NYGAL SW NI 9.53*3100MM (4800 PCS) | 7.40 | 2,28,789 | 16,92,584 | PUC |
| 2011-12 | 20110615 | CHINA P RP | 73045110 | BEARING QUALITY STEEL TUBE SAE52100 : (SIZE:55.7*7.1) | 6.33 | 67,105 | 4,24,442 | PUC |
| 2011-12 | 20110606 | JAPAN | 73041110 | CARBON STEEL SQUARE PIPE - STKR400 (250X250X9.0X3158MM) MFGPURPOSE (FOR DUMP BO | 6.08 | 1,18,731 | 7,22,282 | PUC |
| 2011-12 | 20110530 | CHINA P RP | 73049000 | SEAMLESS STEEL BOOM BRACING TUBE (SIZE: 83 * 6 * 11.44M) (FOR CAPTIVE CONSUMPTI | 6.00 | 87,788 | 5,26,730 | PUC |
| 2011-12 | 20110624 | CHINA P RP | 73069090 | BEARING SEAMLESS CUT TUBES - 6002 IR - CUT BLANKS (COMPOSITION-C-0.93-1.05,MN-0 | 5.73 | 1,77,953 | 10,19,316 | PUC |
| 2011-12 | 20110516 | SPAIN | 73045910 | CARBON STEEL PIPES SS API+A53+A106/B+X42+NACE OILED BE3 20 X 26,19 DIMENSION: L | 5.57 | 1,48,793 | 8,28,775 | PUC |
| 2011-12 | 20110617 | FINLAND | 73049000 | SEAMLESS TUBES SCM415H O.D16.20 X I.D11.00 MM | 5.13 | 2,86,801 | 14,70,090 | PUC |
| 2011-12 | 20110614 | NETHERLAND | 73045920 | HOT FINISHED CARBON STEEL SEAMLESS MOTHER PIPES [127MM X 9.12 MM X 7.04M X 49 | 5.00 | 52,608 | 2,63,038 | PUC |
| 2011-12 | 20110530 | GERMANY | 73043119 | PRIME CDS HOLLOW SEAMLESS TUBES (39.9MM X 5.8MM X 4540MM) | 5.00 | 50,219 | 2,51,094 | PUC |
| 2011-12 | 20110621 | GERMANY | 73043939 | STEEL TUBES, HEAVY WALL, SMLS 273,00 50,00 MM S355J2H EN 10210 3.1 DIN EN 10204 | 4.68 | 1,12,307 | 5,25,168 | PUC |
| 2011-12 | 20110601 | CHINA P RP | 73069090 | BEARING SEAMLESS CUT TUBES - 6002 IR - CUT BLANKS (COMPOSITION-C-0.93-1.05,MN-0 | 4.47 | 1,77,911 | 7,94,551 | PUC |
| 2011-12 | 20110602 | U S A | 73049000 | PIPE SMLS 5NB SCH XXS (API 5L X 52) PART NO. 58092-05-1-12(80.23 MTR) | 4.20 | 1,79,055 | 7,52,031 | PUC |
| 2011-12 | 20110627 | THAILAND | 73069090 | CARBON STEEL PIPE - 9 X0.6 X 2200MM | 4.10 | 1,51,579 | 6,21,947 | PUC |
| 2011-12 | 20110527 | GERMANY | 73043911 | BOILER QUALITY SEAMLESS CARBON STEEL TUBES (2093 MTR @ EUR3.00 PER MTR) | 4.00 | 1,03,054 | 4,12,216 | PUC |
| 2011-12 | 20110530 | TAIWAN | 73041910 | CARBON STEEL SMLS PIPE | 4.00 | 59,462 | 2,37,847 | PUC |
| 2011-12 | 20110602 | SINGAPORE | 73041910 | SEC/DEF STEEL PIPES | 4.00 | 22,294 | 89,177 | PUC |
| 2011-12 | 20110601 | GERMANY | 73049000 | SEAMLESS P+P HIGH PRESSURE STEEL TUBES GR-ST30A1,O.D-6.000MM ID-1.600MM WT-2.20 | 3.69 | 2,99,161 | 11,03,617 | PUC |
| 2011-12 | 20110611 | GERMANY | 73043911 | CS NACE SEAMLESS PIPES (ASTM A106 B) SIZE: 16 (9.57 METERS) | 3.19 | 99,892 | 3,18,554 | PUC |
| 2011-12 | 20110609 | KENYA | 73049000 | STEEL TUBE 168.3MM X WT 36.0MM SA 106-B | 3.00 | 87,899 | 2,63,697 | PUC |
| 2011-12 | 20110530 | CHINA P RP | 73043119 | TUBES. OD 50.8MM* THK 5.15MM* LENGTH 10M-12M GRADE SA210 C [18 PCS 210.6 MTRS \$ | 3.00 | 65,590 | 1,96,769 | PUC |
| 2011-12 | 20110624 | CHINA P RP | 73049000 | HONED TUBE WITH O.D. HARD CHROME PLATED ST 52 X 55MM X 65MMX 1085MM | 2.58 | 2,24,591 | 5,79,445 | PUC |
| 2011-12 | 20110618 | JAPAN | 73043911 | CS NACE SEAMLESS PIPE (ASTM A106B) SIZE: 4 | 2.34 | 1,80,102 | 4,21,438 | PUC |
| 2011-12 | 20110616 | CHINA P RP | 73043911 | CS SEAMLESS TUBULARS (ASTM A106 GRADE B) SIZE: 20 (10.00 METERS) | 2.29 | 1,03,400 | 2,36,889 | PUC |
| 2011-12 | 20110530 | GERMANY | 73041190 | STEEL TUBE (DIA 3.4X6.0) LENGTH 70 MM C803114F(USE IN AUTOMOBILE)(CAPTIVE CONSU | 2.00 | 1,39,209 | 2,78,418 | PUC |
| 2011-12 | 20110623 | CHINA P RP | 73049000 | CARBON STEEL SEAMLESS PIPES | 2.00 | 56,973 | 1,13,946 | PUC |
| 2011-12 | 20110611 | CHINA P RP | 73049000 | M.S DEFECTIVE PIPES | 2.00 | 26,181 | 52,362 | PUC |
| 2011-12 | 20110527 | JAPAN | 73049000 | COLD DRAWN SEAMLESS STEEL TUBE (FOR PISTON PIN) GRADE SCM-415H (O.D. 14.40MM | 1.97 | 2,92,512 | 5,77,126 | PUC |
| 2011-12 | 20110622 | GERMANY | 73042990 | SURPLUS CARBON STEEL PIPES SIZE: 8 | 1.93 | 28,800 | 55,584 | PUC |
| 2011-12 | 20110601 | GERMANY | 73043929 | OD 8 X SCH80 SMLS CS PIPE ACC.TO A 106 GR.B (PIPE SURFACE:INSIDE BARE AND OUTS | 1.48 | 1,48,175 | 2,19,743 | PUC |

**Import Data from DGCIS [All Countries PUC]
Apr 2009 to Jun 2012**

| Year | Date | Country | ITC-HS | Item-Des | Quantity (MT) | Price (Rs./MT) | Value (Rs) | PUC/ NPUC |
|---------|----------|-------------|----------|---|---------------|----------------|--------------|--------------|
| 2011-12 | 20110608 | GERMANY | 73042990 | SURPLUS CARBON STEEL PIPES SIZE 20 /24 /28 | 1.30 | 28,955 | 37,642 | PUC |
| 2011-12 | 20110608 | GERMANY | 73042990 | SURPLUS CARBON STEEL PIPES & FLANGES SIZE 2 /3 /6 /8 /10 /12 /14 /20 /24 | 1.29 | 29,040 | 37,461 | PUC |
| 2011-12 | 20110525 | CHINA P RP | 73041910 | STEEL TUBE M.S. (4 NOS) | 1.15 | 1,83,189 | 2,10,667 | PUC |
| 2011-12 | 20110616 | CHINA P RP | 73041110 | HY-LOK TUBES-SEAMLESS TUBE3/8 O.DX0.035 THK 1PC:6ME | 1.05 | 3,41,506 | 3,58,581 | PUC |
| 2011-12 | 20110613 | JAPAN | 73049000 | CS SMLS PIPES TO ASTM A 106-B NACE MR 01 75 (1) | 1.03 | 77,400 | 79,722 | PUC |
| 2011-12 | 20110621 | GERMANY | 73049000 | CARBON STEEL SECOND CHOICE SEAMLESS PIPES | 1.00 | 24,351 | 24,351 | PUC |
| 2011-12 | 20110519 | U ARAB EMTS | 73042990 | M.S.SECONDARY SEAMLESS PIPE | 1.00 | 20,250 | 20,250 | PUC |
| 2011-12 | 20110613 | BELGIUM | 73049000 | M.S.SEAMLESS PIPE SECONDARY MIX | 1.00 | 9,911 | 9,911 | PUC |
| 2011-12 | 20110526 | ITALY | 73045120 | CS SEAMLESS PIPES API 5L 52 PSL 2 A333 GR (10 X 273.10MM 20SCH) (1 PCS)(11.40 | 0.48 | 1,48,800 | 70,829 | PUC |
| 2011-12 | 20110523 | CHINA P RP | 73049000 | TUBEBSD35RH130 (1PC) | 0.42 | 37,760 | 15,708 | PUC |
| 2011-12 | 20110615 | ITALY | 73043119 | METAL TUBE(MM110X15X0)(8250MTRS/0.066) | 0.30 | 1,42,787 | 42,836 | PUC |
| 2011-12 | 20110616 | CHINA P RP | 73041190 | CORRUGATED GAS TUBE (5.0MM X 0.25MM X 251MM) (CAR EXHAUSTERPART) - FOR CAPTIVE | 0.21 | 2,27,097 | 46,782 | PUC |
| 2011-12 | 20110621 | U K | 73042390 | DIE, INSERT FOR 6-5/8 IN DRILL PIPE | 0.20 | 1,03,795 | 20,759 | PUC |
| 2011-12 | 20110603 | SINGAPORE | 73042390 | PIPE: SEAMLESS, 1 SCH 80 ASTM A106 GRADE B, BLASTED | 0.18 | 2,42,000 | 43,560 | PUC |
| 2011-12 | 20110607 | GERMANY | 73041110 | SEAMLESS TUBE 1/4 O.DX0.035 THK . 1PC:6EM | 0.16 | 1,45,226 | 23,817 | PUC |
| 2011-12 | 20110610 | CHINA P RP | 73049000 | CARBON SEAMLESS STEEL PIPES STOCKLOT MIX SIZE | 0.07 | 1,05,971 | 7,418 | PUC |
| 2011-12 | 20110607 | CHINA P RP | 73041910 | GAS PIPE XHPMQG (10 PCS = 7KGS)3M | 0.05 | 2,59,469 | 12,714 | PUC |
| 2011-12 | 20110614 | CHINA P RP | 73049000 | SECONDARY SECOND CARBON STEEL SEAMLESS/ WELDED PIPES, MIXEDTHICKNESS MIXED LOT. | 0.02 | 91,550 | 1,831 | PUC |
| 2011-12 | 20110619 | CANADA | 73044100 | DHCRIMP01 CRIMP TUBE OD=3.2 ID=2.5X4 LG CRIMP UBE STAINLESS STEEL | 0.01 | 1,22,400 | 1,224 | PUC |
| 2011-12 | 20110616 | SAUDI ARAB | 73049000 | SECONDARY SECOND CHOICE CARBON STEEL SEAMLESS PIPE MIX SIZE MIX LOT | 0.01 | 25,800 | 258 | PUC |
| 2011-12 | 20110531 | CHINA P RP | 73049000 | CARBON STEEL SECONDARY DEFECTIVE SEAMLESS PIPE | 0.01 | 1,89,200 | 1,892 | PUC |
| 2011-12 | 20110617 | CHINA P RP | 73049000 | COLD DRAWN SEAMLESS CARBON STEEL TUBES37.20 X 8.35 X 4500-5000MM (C 45) | 0.002 | 2,80,500 | 561 | PUC |
| 2011-12 | 20110530 | CHINA P RP | 73049000 | ASTM A106 GR.B CARBON STEEL PIPE 5-8 MTRS (OD X THICKNESS 273X25MM) | 0.001 | 1,89,000 | 189 | PUC |
| 2011-12 | 20110613 | CHINA P RP | 73043119 | SEAMLESS STEEL PIPES API 5L GR. B 44.5 X 6.75 X 5000-5800MM | 0.001 | 50,000 | 50 | PUC |
| 2011-12 | 20110629 | CHINA P RP | 73041910 | PLAIN END SEAMLESS PIPES 9-5/8 OD {35867.387 MTR = 2567.299MTS (OR) 2683 PCS} | 5,616.63 | 40,850 | 22,94,39,805 | PUC |
| 2011-12 | 20110622 | CHINA P RP | 73041910 | PLAIN END SEAMLESS PIPES 5-1/2 OD {122.178 MTS = 3521.640 MTRS (OR) 363 PCS} | 3,126.52 | 40,054 | 12,52,28,680 | PUC |
| 2011-12 | 20110726 | CHINA P RP | 73042990 | SEAMLESS PIPE 114.3 X 7.9MM X-46 3 LAYER POLYETHYLENE COATED | 1,125.13 | 81,910 | 9,21,58,980 | PUC |
| 2011-12 | 20110712 | CHINA P RP | 73041910 | PLAIN END SEAMLESS PIPES OF SIZE 2-7/8 OD {73.818 MTS = 8037 MTRS (OR) 830 PCS | 943.54 | 50,571 | 4,77,15,957 | PUC |
| 2011-12 | 20110627 | CHINA P RP | 73045930 | SEAMLESS STEEL GAS CYLINDER TUBE SIZE 232.00MM X 5.4MM | 852.00 | 51,033 | 4,34,79,923 | PUC |
| 2011-12 | 20110720 | ITALY | 73069090 | SEAMLESS COLD DRAWN TUBES FOR HYDRAULIC CYLINDERS (SIZE: 273.00 X 240.50 X **** | 654.21 | 27,516 | 1,80,01,189 | PUC |
| 2011-12 | 20110705 | CHINA P RP | 73043939 | SEAMLESS STEEL TUBES (37MN) SIZE:232MM X 5.7MM | 651.38 | 53,235 | 3,46,76,204 | PUC |
| 2011-12 | 20110706 | CHINA P RP | 73049000 | CARBON STEEL SEAMLESS MOTHER PIPES (HOT FINISH) AP1 5L GR.B/ASTM A 106 GR.B/ AS | 607.00 | 42,309 | 2,56,81,641 | PUC |
| 2011-12 | 20110628 | KOREA RP | 73049000 | CARBON STEEL SEAMLESS TUBES (SA210C) SIZE: 45 X 6.9MWT X 10000MM | 550.07 | 59,345 | 3,26,43,785 | PUC |
| 2011-12 | 20110723 | CHINA P RP | 73049000 | CARBON STEEL SEAMLESS PIPES (SA106) | 548.01 | 1,02,052 | 5,59,25,339 | PUC |
| 2011-12 | 20110720 | KOREA RP | 73042990 | HOT ROLLED SEAMLESS STEEL (C-MN) 232MM X 5.4MM | 546.00 | 56,414 | 3,08,01,968 | PUC |
| 2011-12 | 20110725 | CHINA P RP | 98010013 | SEAMLESS CARBON STEEL TUBES (TO SPEC SA 210) (OD 63.50 X5.60 X 12150) (49511 | 531.00 | 68,543 | 3,63,96,170 | PUC |
| 2011-12 | 20110620 | CHINA P RP | 73043919 | HFS NON ALLOY CARBON STEEL TUBES CONF. TO SPECN. SA 210 GRADE A1 SIZE (MM) : 4 | 439.83 | 56,126 | 2,46,85,643 | PUC |
| 2011-12 | 20110628 | KOREA RP | 73049000 | CARBON STEEL SEAMLESS TUBES (SA 210C) SIZE: 45* 6.9MWT * 10000MM | 430.61 | 59,345 | 2,55,54,669 | PUC |
| 2011-12 | 20110719 | CHINA P RP | 73042990 | SEAMLESS PIPE 114.3 X 7.9MM X-46 3 LAYER POLYETHYLENE COATED | 373.26 | 74,071 | 2,76,47,694 | PUC |
| 2011-12 | 20110705 | CHINA P RP | 73043939 | SEAMLESS STEEL TUBES (37MN) SIZE:232MM X 5.7MM | 355.59 | 53,235 | 1,89,29,845 | PUC |
| 2011-12 | 20110719 | CHINA P RP | 73043911 | SEAMLESS STEEL CYLINDERS PIPE (34 CRMO4) SIZE: 267 MM X 7.7MM | 338.52 | 59,167 | 2,00,29,059 | PUC |

**Import Data from DGCIS [All Countries PUC]
Apr 2009 to Jun 2012**

| Year | Date | Country | ITC-HS | Item-Des | Quantity (MT) | Price (Rs./MT) | Value (Rs) | PUC/ NPUC |
|---------|----------|-------------|----------|---|---------------|----------------|-------------|--------------|
| 2011-12 | 20110726 | FRANCE | 73049000 | HOT FINISHED SEAMLESS STEEL TUBES ASME SA 210 GR. C, OD 44.45MM X WT 6.6MM X F/ | 338.00 | 81,994 | 2,77,13,935 | PUC |
| 2011-12 | 20110701 | CHINA P RP | 73045910 | SEAMLESS STEEL TUBES ASME SA210M GR. A1 SIZE 38.1 OD X 4.06 MIN. WT X 11000 LG | 303.38 | 58,635 | 1,77,88,477 | PUC |
| 2011-12 | 20110721 | ROMANIA | 73049000 | CARBON STEEL SEAMLESS TUBES (SA 210) | 279.31 | 67,638 | 1,88,91,644 | PUC |
| 2011-12 | 20110719 | CHINA P RP | 73043939 | SEAMLESS STEEL CYLINDERS PIPE (34 CRMO4) SIZE: 267 MM X 6.5MM | 277.24 | 59,167 | 1,64,03,333 | PUC |
| 2011-12 | 20110719 | JAPAN | 73043119 | HOTFINISHED SEAMLESS CARBON/ALLOY STEEL PIPES/TUBES-ASMESA106-C-168.3X18.26X109 | 272.42 | 80,005 | 2,17,94,594 | PUC |
| 2011-12 | 20110714 | CHINA P RP | 73043119 | CARBON STEEL SEAMLESS PIPES (121X12MM) | 272.00 | 28,073 | 76,35,948 | PUC |
| 2011-12 | 20110713 | CHINA P RP | 73043119 | COLD DRAWN SEAMLESS CARBON STEEL TUBES ST 52.4 SIZE : 44.5 X 5.50 LENGTH 8000 - | 270.97 | 52,325 | 1,41,78,296 | PUC |
| 2011-12 | 20110705 | CHINA P RP | 73043911 | SEAMLESS STEEL TUBE OF RELEVANT GRADE:34CRMO4 (SEAMLESS STEEL CYLINDER PIPE) | 257.44 | 59,167 | 1,52,31,931 | PUC |
| 2011-12 | 20110627 | CHINA P RP | 73049000 | CARBON STEEL SEAMLESS MOTHER PIPES (HOT FINISH) API 5L GR.B/ASTM A 106 GR.B/AST | 251.00 | 41,873 | 1,05,10,174 | PUC |
| 2011-12 | 20110622 | CHINA P RP | 73041910 | PLAIN END SEAMLESS PIPES 5 OD {2048.923 MTS = 73372.334 MTRS (OR) 7702 PCS} | 243.85 | 86,315 | 2,10,48,156 | PUC |
| 2011-12 | 20110704 | CHINA P RP | 73049000 | CARBON SEAMLESS STEEL PIPE -134MMX4.5MMX6000MM (PARTS FOR CONCRETE MACHINERY) | 238.00 | 47,272 | 1,12,50,851 | PUC |
| 2011-12 | 20110713 | CHINA P RP | 73041990 | OD 232MM X 5.4 M SEAMLESS CYLINDER PIPES (FOR CAPTIVE CONSUMPTION) | 232.00 | 59,794 | 1,38,72,130 | PUC |
| 2011-12 | 20110701 | CHINA P RP | 73041910 | SEAMLESS PIPE | 227.00 | 49,859 | 1,13,17,971 | PUC |
| 2011-12 | 20110622 | BELGIUM | 73043911 | CARBON STEEL SEAMLESS PIPE [SECONDARY] | 223.00 | 37,179 | 82,91,024 | PUC |
| 2011-12 | 20110720 | U ARAB EMTS | 73049000 | SECONDARY CARBON STEEL SEAMLESS PIPE | 216.00 | 28,020 | 60,52,420 | PUC |
| 2011-12 | 20110712 | CHINA P RP | 73043129 | HOT FINISHED CARBON STEEL SEAMLESS PIPES GR. ASME SA 106 GR. B SIZE(MM): 219.1 | 215.46 | 33,596 | 72,38,621 | PUC |
| 2011-12 | 20110711 | CHINA P RP | 73041910 | SEAMLESS STEEL TUBES&PIPES ASTM A106 GR.B SIZE: 3 XSCH40 | 215.00 | 33,186 | 71,35,035 | PUC |
| 2011-12 | 20110713 | CHINA P RP | 73045910 | SEAMLESS STEEL GAS CYLINDER TUBE 108 MM X 4 MM X 5620 MM | 206.00 | 50,452 | 1,03,93,136 | PUC |
| 2011-12 | 20110704 | BELARUS | 73049000 | MILD STEEL LOW CARBON SEAMLESS PIPES MIXED SECOND CHOICE | 200.00 | 27,079 | 54,15,828 | PUC |
| 2011-12 | 20110701 | CHINA P RP | 73049000 | SEAMLESS STEEL TUBE FOR | 197.62 | 56,420 | 1,11,49,720 | PUC |
| 2011-12 | 20110713 | U ARAB EMTS | 73049000 | SECONDARY CARBON STEEL SEAMLESS PIPE | 187.00 | 28,067 | 52,48,575 | PUC |
| 2011-12 | 20110708 | CHINA P RP | 73045110 | ALLOY STEEL SEAMLESS TUBES SA-210M GR. A1 SIZE 101.6 OD X 5.6 THK X 10000 MM L | 185.99 | 83,558 | 1,55,40,955 | PUC |
| 2011-12 | 20110730 | OMAN | 73069090 | SECONDARY & DEFECTIVE M.S. PIPES | 184.00 | 21,129 | 38,87,672 | PUC |
| 2011-12 | 20110707 | CHINA P RP | 73042400 | SEAMLESS PIPE 51MM X 2.9 (TOTAL QTY 53550.20 MTR - USD 3.824/MTR) | 184.00 | 50,638 | 93,17,306 | PUC |
| 2011-12 | 20110702 | CHINA P RP | 73045120 | SEAMLESS CARBON STEEL PIPES - GRADE: API SPEC 5L B PSL1/ASTM A106 B SIZE: 219.1 | 184.00 | 41,198 | 75,80,466 | PUC |
| 2011-12 | 20110705 | U S A | 73069090 | SEC / DEF SEAMLESS PIPES | 183.00 | 23,053 | 42,18,622 | PUC |
| 2011-12 | 20110701 | CHINA P RP | 73042390 | DRILL PIPE R2 5 19.5 LB/FT, (FOR OILFIELD PURPOSE DETAILS AS PER DGH CERT NO. | 177.24 | 2,76,820 | 4,90,64,141 | PUC |
| 2011-12 | 20110628 | CHINA P RP | 73042390 | DRILL PIPE R2 5 19.5 LB/FT, (OILFIELD PUPOSE)DETAILS AS PER DGH CERT NO. ECIN | 172.02 | 2,79,329 | 4,80,48,718 | PUC |
| 2011-12 | 20110715 | U ARAB EMTS | 73049000 | M S PIPE | 170.00 | 22,995 | 39,09,169 | PUC |
| 2011-12 | 20110721 | CONGO P REP | 73069090 | SECONDARY & DEFECTIVE PIPES | 167.00 | 21,576 | 36,03,166 | PUC |
| 2011-12 | 20110702 | CHINA P RP | 73042990 | SEAMLESS CASING PIPES, ACCORDING TO API5CT GRADE L-80 (TYPE) AND P-110, SIZE:-O | 163.24 | 67,362 | 1,09,96,124 | PUC |
| 2011-12 | 20110722 | U S A | 73069090 | SECONDARY/DEFECTIVE SEAMLESS PIPES | 162.00 | 23,015 | 37,28,434 | PUC |
| 2011-12 | 20110718 | CHINA P RP | 73043119 | SKIVED & BURNISHED TUBES(ID-200MM. X OD-245MM.) | 160.93 | 8,838 | 14,22,245 | PUC |
| 2011-12 | 20110722 | CHINA P RP | 73049000 | CARBON STEEL SEAMLESS PIPES (SA 106) | 160.27 | 1,29,429 | 2,07,43,643 | PUC |
| 2011-12 | 20110719 | OMAN | 73069090 | SECONDARY & DEFECTIVE M.S. PIPES | 159.00 | 21,118 | 33,57,689 | PUC |
| 2011-12 | 20110708 | CHINA P RP | 73049000 | CARBON STEEL SEAMLESS MOTER PIPES/TUBES (HOT FINISH)DIN 17175 ST35.8 OD 30.0M | 158.00 | 50,672 | 80,06,132 | PUC |
| 2011-12 | 20110714 | CHINA P RP | 73043119 | SKIVED & BURNISHED TUBES(ID-200MM. X OD-245MM.) | 155.49 | 9,250 | 14,38,290 | PUC |
| 2011-12 | 20110630 | BELGIUM | 73043911 | SECONDARY CARBON STEEL SEAMLESS PIPE | 155.00 | 33,779 | 52,35,790 | PUC |
| 2011-12 | 20110718 | CHINA P RP | 73049000 | CARBON STEEL SEAMLESS PIPES | 153.00 | 33,163 | 50,73,923 | PUC |
| 2011-12 | 20110712 | CHINA P RP | 73043919 | CARBON STEEL SEAMLESS TUBES ASTM A 179 (SIZE 25 MM OD X 2.50 MM THK X 6 MTR LE | 151.66 | 55,087 | 83,54,471 | PUC |
| 2011-12 | 20110617 | SWEDEN | 73049000 | OLD AND USED CARBON SEAMLESS PIPE | 149.00 | 23,284 | 34,69,283 | PUC |

**Import Data from DGCIS [All Countries PUC]
Apr 2009 to Jun 2012**

| Year | Date | Country | ITC-HS | Item-Des | Quantity (MT) | Price (Rs./MT) | Value (Rs) | PUC/ NPUC |
|---------|----------|-------------|----------|--|---------------|----------------|-------------|--------------|
| 2011-12 | 20110728 | CHINA P RP | 98010013 | SEAMLESS CARBON STEEL PIPES (TO SPEC SA106) (OD 88.90 X 15.24 X 6000) (1584 | 145.00 | 56,907 | 82,51,478 | PUC |
| 2011-12 | 20110705 | CHINA P RP | 73049000 | M S PIPE | 141.00 | 22,999 | 32,42,917 | PUC |
| 2011-12 | 20110716 | INDONESIA | 73045110 | BEARING QUALITY STEEL TUBE SAE 52100 AND SUJ-3 (TMB6007OR)SIZE 62.7 X 4.9MM | 135.49 | 74,707 | 1,01,21,901 | PUC |
| 2011-12 | 20110702 | CHINA P RP | 73049000 | CARBON STEEL SEAMLESS PIPE | 135.00 | 28,580 | 38,58,309 | PUC |
| 2011-12 | 20110701 | CHINA P RP | 73045910 | SEAMLESS STEEL TUBES ASME SA210M GR. A1 SIZE 76.2 OD X 5.6MIN. WT X 9000 LG | 132.37 | 57,232 | 75,75,867 | PUC |
| 2011-12 | 20110706 | OMAN | 73069090 | SECONDARY/DEFECTIVE M.S.PIPE PSINO. 0052692 DT.13.06.11. | 132.00 | 21,317 | 28,13,831 | PUC |
| 2011-12 | 20110714 | OMAN | 73069090 | SECONDARY /DEFECTIVE M.S PIPES | 131.00 | 21,162 | 27,72,252 | PUC |
| 2011-12 | 20110713 | OMAN | 73069090 | SECONDARY & DEFECTIVE M.S. PIPES | 129.00 | 21,236 | 27,39,446 | PUC |
| 2011-12 | 20110713 | OMAN | 73069090 | SECONDARY/DEFECTIVE M.S. PIPES | 129.00 | 21,193 | 27,33,943 | PUC |
| 2011-12 | 20110714 | OMAN | 73069090 | SECONDARY/DEFECTIVE M.S.PIPE | 129.00 | 21,128 | 27,25,477 | PUC |
| 2011-12 | 20110704 | OMAN | 73069090 | SECONDARY/DEFECTIVE M.S. PIPE PSINO. 0052695 DT. 15.06.11. | 129.00 | 20,953 | 27,02,970 | PUC |
| 2011-12 | 20110711 | OMAN | 73069090 | SECONDARY/DEFECTIVE M.S.PIPES PSINO. 0052693 DT. 14.06.11. GEO CHEM MIDDLE EA | 125.00 | 21,009 | 26,26,137 | PUC |
| 2011-12 | 20110715 | CHINA P RP | 73043119 | COLD DRAWN SEAMLESS STEEL TUBES AS PER DIN STD 2391 40MM OD X 28MM IDX5M (SHOR | 124.00 | 63,731 | 79,02,619 | PUC |
| 2011-12 | 20110725 | CHINA P RP | 73042400 | MS SEAMLESS PIPE 48.3 X 5.5 - 5.36MTR (TOTAL QTY: 21252.40 MTR / USD 6.50/MTR) | 123.00 | 51,101 | 62,85,397 | PUC |
| 2011-12 | 20110718 | CHINA P RP | 73069090 | SEAMLESS STEEL TUBES - 6203 OR - SKF3S - OD40.70MMXID32.00MM(COMPOSITION-C-0.93 | 122.92 | 97,769 | 1,20,17,902 | PUC |
| 2011-12 | 20110725 | CHINA P RP | 73049000 | CARBON STEEL SEAMLESS PIPE DIN1629 ST30AL 33 X 4 X 5000-5800 MM | 122.17 | 55,628 | 67,95,957 | PUC |
| 2011-12 | 20110718 | CHINA P RP | 73049000 | SEAMLESS STEEL TUBE FOR CYLINDERS 34CRMO4 | 122.00 | 63,815 | 77,85,414 | PUC |
| 2011-12 | 20110702 | CHINA P RP | 73042990 | SEAMLESS PIPES ACC TO API 5L/ASTM A106 OD : 273 MM WT : 28.6MM, LENGTH : 5-11.8 | 122.00 | 46,681 | 56,95,123 | PUC |
| 2011-12 | 20110628 | ITALY | 73043911 | COLD DRAWN SEAMLESS STEEL TUBE115,50 X 7,75 1,00 E355 | 118.76 | 94,658 | 1,12,42,050 | PUC |
| 2011-12 | 20110627 | U ARAB EMTS | 73049000 | M S PIPE | 116.00 | 23,173 | 26,88,104 | PUC |
| 2011-12 | 20110701 | CHINA P RP | 73045120 | 160 X 203 X 5200MM READY TO HONE PRECISION TUBE | 115.14 | 10,958 | 12,61,624 | PUC |
| 2011-12 | 20110628 | CHINA P RP | 73049000 | CARBON STEEL SEAMLESS TUBES (SA210C) SIZE: 45 X 6.9 MWT X 10000MM | 111.01 | 59,345 | 65,87,888 | PUC |
| 2011-12 | 20110628 | CHINA P RP | 73049000 | CARBON STEEL SEAMLESS PIPES | 110.00 | 33,291 | 36,62,029 | PUC |
| 2011-12 | 20110709 | CHINA P RP | 73042390 | 5.5 OD 21.90 DRILL PIPE | 109.91 | 2,65,529 | 2,91,85,319 | PUC |
| 2011-12 | 20110629 | CHINA P RP | 73049000 | SECONDARY SECONDD CHOICE CARBON STEEL SEAMLESS/WELDED PIPES | 106.44 | 25,792 | 27,45,327 | PUC |
| 2011-12 | 20110706 | HONG KONG | 73045910 | SEAMLESS CARBON STEEL PIPE 38.00MM ODX12.00MM THK.X5400 LONG OTHER STEEL TUBES | 103.95 | 52,665 | 54,74,661 | PUC |
| 2011-12 | 20110706 | HONG KONG | 73045920 | STEEL SEAMLESS PIPES -S355J2H EN 10210 SIZE;133 X4 X3 EQUALS | 103.00 | 53,892 | 55,50,910 | PUC |
| 2011-12 | 20110716 | OMAN | 73069090 | SECONDARY/DEFECTIVE M.S. PIPES | 103.00 | 21,143 | 21,77,714 | PUC |
| 2011-12 | 20110625 | CHINA P RP | 73049000 | SECONDARY / DEFECTIVE CARBON STEEL SEAMLES PIPES | 101.00 | 25,671 | 25,92,766 | PUC |
| 2011-12 | 20110701 | U ARAB EMTS | 73069090 | SECONDARY/ DEFECTIVE M.S. PIPES OF MIX SIZES | 100.00 | 24,156 | 24,15,623 | PUC |
| 2011-12 | 20110706 | NETHERLAND | 73049000 | OIL WELL EQUIPMENT (OLD & USED) RE-EXPORT BASIS : 5-1/2 OD,DRILL PIPE 21.90# S- | 98.80 | 61,020 | 60,28,749 | PUC |
| 2011-12 | 20110704 | CHINA P RP | 73042990 | CDS ALLOY STEEL TUBES SIZE 76.2X4.88X11500MM (72.500 MTR) | 97.00 | 54,903 | 53,25,595 | PUC |
| 2011-12 | 20110719 | CHINA P RP | 73043119 | CARBON STEEL SEAMLESS PIPES (114X17.5X5800MM) | 96.00 | 27,188 | 26,10,044 | PUC |
| 2011-12 | 20110718 | CHINA P RP | 73049000 | CARBON STEEL SEAMLESS PIPE ASTM A 106 GR B 26.7 X 3.91 X 5000-5800MM | 93.53 | 48,588 | 45,44,481 | PUC |
| 2011-12 | 20110722 | CHINA P RP | 73045110 | BEARING QUALITY STEEL TUBE SAE 52100 AND SUJ-3 (6905IR) SIZE 30.9 X 3.3MM | 90.60 | 75,173 | 68,10,953 | PUC |
| 2011-12 | 20110704 | CHINA P RP | 73043119 | CARBON STEEL SEAMLESS PIPES (77X10.5X5900MM) | 90.00 | 30,320 | 27,28,772 | PUC |
| 2011-12 | 20110715 | CHINA P RP | 73049000 | PRIME CARBON STEEL SEAMLESS PIPES TO ASTM A106 GR.B | 88.00 | 31,919 | 28,08,852 | PUC |
| 2011-12 | 20110628 | CHINA P RP | 73049000 | CARBON STEEL SEAMLESS PIPE ASTM A106-B/APL 5L GR.B | 87.00 | 33,326 | 28,99,398 | PUC |
| 2011-12 | 20110713 | CHINA P RP | 73045910 | TUBE 6004 OR-42.70X4.16 OTHER TUBES HAVING OD LESS THAN 114MM , USED FOR MAKIN | 86.97 | 75,075 | 65,29,122 | PUC |
| 2011-12 | 20110701 | CHINA P RP | 73045910 | SEAMLESS STEEL TUBES ASME SA210M GR. A1 SIZE 38.1 OD X 4.06 MIN. WT X 11000 LG | 83.43 | 58,413 | 48,73,548 | PUC |
| 2011-12 | 20110625 | ITALY | 73043921 | SEAMLESS CARBON STEEL PIPES(TO SPEC SA106)OD 219.10MMX8.626 IN WT .28.00MMX1.102 | 83.00 | 95,788 | 79,50,435 | PUC |

**Import Data from DGCIS [All Countries PUC]
Apr 2009 to Jun 2012**

| Year | Date | Country | ITC-HS | Item-Des | Quantity (MT) | Price (Rs./MT) | Value (Rs) | PUC/ NPUC |
|---------|----------|-------------|----------|---|---------------|----------------|------------|--------------|
| 2011-12 | 20110627 | U ARAB EMTS | 73049000 | SECONDARY DEFECTIVE CARBON STEEL PIPES MIXED [OLD & USED] | 83.00 | 23,803 | 19,75,649 | PUC |
| 2011-12 | 20110701 | CHINA P RP | 73045110 | BEARING QUALITY STEEL TUBE SAE-52100 (6006 OR) SIZE 55.25 X47.50 MM | 82.27 | 70,319 | 57,85,151 | PUC |
| 2011-12 | 20110714 | CHINA P RP | 73041910 | PLAIN END SEAMLESS PIPES 2-7/8 OD {8830.117 = 83.235 MTS (OR) 938 PCS} | 81.03 | 46,038 | 37,30,485 | PUC |
| 2011-12 | 20110709 | CHINA P RP | 73049000 | CARBON STEEL SEAMLESS PIPES (SA106) | 80.17 | 93,079 | 74,62,127 | PUC |
| 2011-12 | 20110719 | U ARAB EMTS | 73069090 | SECONDARY/DEFECTIVE M.S PIPES OF MIX SIZES | 79.00 | 21,214 | 16,75,881 | PUC |
| 2011-12 | 20110701 | CHINA P RP | 73045120 | SEAMLESS CARBON STEEL PIPES GRADE: API SPEC 5L B PSL1/ASTM A106B- SIZE: 219.1MM | 76.00 | 40,134 | 30,50,214 | PUC |
| 2011-12 | 20110712 | SWEDEN | 73045110 | SECONDARY AND DFEECTIVE SEAMLESS STEEL TUBES (ALLOY STEEL) GRADE: 100 CR6 SIZE: | 75.76 | 33,962 | 25,73,091 | PUC |
| 2011-12 | 20110701 | CHINA P RP | 73045110 | BEARING QUALITY STEEL TUBE SAE 52100 AND SUJ-3 (BB1079OR) SIZE 51.7 X 5.95MM | 75.74 | 75,222 | 56,97,501 | PUC |
| 2011-12 | 20110719 | U ARAB EMTS | 73069090 | SECONDARY/DEFECTIVE MS PIPES OF MIX SIZES | 75.00 | 21,219 | 15,91,431 | PUC |
| 2011-12 | 20110708 | ITALY | 73049000 | COLD DRAWN SEAMLESS STEEL TUBE105.00X7.50 E355 +SR 4000-5800 | 74.76 | 1,01,139 | 75,60,904 | PUC |
| 2011-12 | 20110701 | CHINA P RP | 73049000 | SEAMLESS STEEL TUBE FOR | 74.70 | 56,420 | 42,14,574 | PUC |
| 2011-12 | 20110621 | BELGIUM | 73049000 | SECONDARY CARBON STEEL M S SEAMLESS PIPE , MIX SIZES | 74.00 | 33,028 | 24,44,053 | PUC |
| 2011-12 | 20110704 | CHINA P RP | 73049000 | CARBON STEEL SEAMLESS PIPES AS PER ASTM A 106/API 5L/A53 GRADE B | 74.00 | 33,842 | 25,04,281 | PUC |
| 2011-12 | 20110712 | CHINA P RP | 73049000 | SECONDARY CARBON STEEL SEAMLESS PIPES | 74.00 | 27,440 | 20,30,574 | PUC |
| 2011-12 | 20110707 | UKRAINE | 73049000 | SECONDARY CARBON STEEL SEAMLESS PIPES,MIXED SIZES | 73.00 | 34,969 | 25,52,739 | PUC |
| 2011-12 | 20110721 | U ARAB EMTS | 73049000 | SECONDARY SECOND CHOICE CARBON STEEL SEAMLESS PIPES MIXED SIZE | 73.00 | 25,854 | 18,87,361 | PUC |
| 2011-12 | 20110720 | CHINA P RP | 73043929 | COLD DRAWN STEEL TUBE (113X6.75MM) | 70.00 | 70,765 | 49,53,544 | PUC |
| 2011-12 | 20110627 | CHINA P RP | 73045110 | BEARING QUALITY STEEL TUBE SAE 52100 AND SUJ-3 (TMB6007OR)SIZE 62.7 X 4.9MM | 69.01 | 77,835 | 53,71,719 | PUC |
| 2011-12 | 20110627 | U S A | 73043911 | USED SEAMLESS M.S. PIPE | 66.00 | 26,872 | 17,73,544 | PUC |
| 2011-12 | 20110711 | CHINA P RP | 73043139 | HYDRAULIC CYLINDER TUBE (SIZE: 250 X 220 MM) | 61.66 | 28,435 | 17,53,215 | PUC |
| 2011-12 | 20110708 | CHINA P RP | 73069090 | BEARING SEAMLESS TUBES-6202 IR - SKF3S - OD22.50MMXID14.10MM (COMPOSITION-C-0.9 | 61.65 | 99,304 | 61,22,081 | PUC |
| 2011-12 | 20110727 | JAPAN | 73045110 | COLD DRAWN CARBON SEAMLESS STEEL TUBES SAE 1040 54.05MM ODX 38.75MM ID X 300 | 61.64 | 50,057 | 30,85,694 | PUC |
| 2011-12 | 20110625 | CHINA P RP | 73042990 | DRILL PIPES FOR ELIGIBLE PEL/ML, DP 3-1/2 S GD RH 13.3 PPF RII (159 PCS) (INVOI | 59.50 | 1,36,763 | 81,37,971 | PUC |
| 2011-12 | 20110723 | CHINA P RP | 73043911 | SEAMLESS MOTHER TUBES (SAE1010)(SIZE:38X5X4500-5800 MM) | 58.49 | 53,805 | 31,47,209 | PUC |
| 2011-12 | 20110705 | FRANCE | 73043911 | CS NACE SEAMLESS PIPES (ASTM A106 B) SIZE: 0.5 (C.O. FRANCE) | 58.18 | 63,212 | 36,77,665 | PUC |
| 2011-12 | 20110712 | U ARAB EMTS | 73061921 | M.S SEAMLESS OLD AND USED PIPES | 55.00 | 22,693 | 12,48,118 | PUC |
| 2011-12 | 20110628 | CHINA P RP | 73043119 | SKIVED & BURNISHED TUBES (ID-140MM X OD-160MM) | 53.07 | 27,858 | 14,78,306 | PUC |
| 2011-12 | 20110628 | U S A | 73049000 | SECONDARY M.S. PIPES OF MIX SIZES. | 53.00 | 23,414 | 12,40,930 | PUC |
| 2011-12 | 20110624 | ITALY | 73043931 | SEAMLESS CARBON STEEL PIPES(TOSPEC SA 106)OD:273.00MM X10.748IN WT:36.00 MM 1.4 | 52.00 | 75,521 | 39,27,083 | PUC |
| 2011-12 | 20110628 | CHINA P RP | 73049000 | ALLOY STEEL SEAMLESS TUBESAS PER ASME SA13 T12 OD60.3MM X5.6MMX11.5M | 52.00 | 88,241 | 45,88,512 | PUC |
| 2011-12 | 20110627 | CHINA P RP | 73043119 | NON ALLOY STEEL SEAMLESS PIPES API 5L GRADE B 101.6MMX8.08MM | 52.00 | 49,529 | 25,75,486 | PUC |
| 2011-12 | 20110711 | CHINA P RP | 73041110 | MS SEAMLESS PIPES /TUBES 114 X 14X5000-5800(10.452MTS), 141X16X5000-5800(10.25 | 51.82 | 27,300 | 14,14,577 | PUC |
| 2011-12 | 20110701 | U K | 73049000 | SECONDARY SECOND CHOICE CARBON STEEL SEAMLESS/WELDED PIPES | 51.23 | 26,232 | 13,43,988 | PUC |
| 2011-12 | 20110719 | GERMANY | 73049000 | M.S SEAMLESS PIPES SECOND CHOICE MIX | 51.00 | 25,843 | 13,18,014 | PUC |
| 2011-12 | 20110701 | CHINA P RP | 73045110 | SEAMLESS CARBON STEEL PIPES GRADE: API SPEC 5L B PSL1/ASTM A106B- SIZE: 114.3MM | 51.00 | 40,721 | 20,76,787 | PUC |
| 2011-12 | 20110726 | CHINA P RP | 73049000 | CARBON STEEL SEAMLESS PIPES AS PER ASTM A 106/API 5L/A53 GRADE B | 51.00 | 33,960 | 17,31,976 | PUC |
| 2011-12 | 20110719 | CHINA P RP | 73045910 | CARBON STEEL SEAMLESS TUBES GRADE-ST 35.8,38 MM X 4 MM X 6-8 MTR | 50.12 | 50,960 | 25,53,911 | PUC |
| 2011-12 | 20110729 | OMAN | 73069090 | SECONDARY/DEFECTIVE MS PIPES | 50.00 | 21,284 | 10,64,199 | PUC |
| 2011-12 | 20110725 | CHINA P RP | 98010013 | SEAMLESS CARBON STEEL TUBES (TO SPEC SA210) (OD 38.10 X 4.50 X 13800) (13289. | 50.00 | 76,706 | 38,35,319 | PUC |
| 2011-12 | 20110630 | CHINA P RP | 73043911 | CARBON STEEL SEAMLESS PIPE ASTM A106 GRB (HOT FINISH) 33.4X 4.55 X 5000-7000 | 50.00 | 49,206 | 24,60,318 | PUC |
| 2011-12 | 20110714 | CHINA P RP | 73049000 | DESIGN & SUPP.OF EQUIP.FOR 1200MW AT MAHAN THERMAL POWER PLANT-SHIPMENT CONSIST | 50.00 | 39,125 | 19,56,254 | PUC |

**Import Data from DGCIS [All Countries PUC]
Apr 2009 to Jun 2012**

| Year | Date | Country | ITC-HS | Item-Des | Quantity (MT) | Price (Rs./MT) | Value (Rs) | PUC/ NPUC |
|---------|----------|--------------|----------|---|---------------|----------------|------------|--------------|
| 2011-12 | 20110701 | CHINA P RP | 73041910 | CARBON STEEL SEAMLESS PI | 49.00 | 54,158 | 26,53,727 | PUC |
| 2011-12 | 20110708 | CHINA P RP | 73045110 | CARBON STEEL SEAMLESS PIPE AS PER DIN 17175 ST35.8 - SIZE: OD:27MM, WT:3MM, L:1 | 49.00 | 51,043 | 25,01,117 | PUC |
| 2011-12 | 20110711 | CHINA P RP | 73049000 | CARBON STEEL PIPES AS PER API 5L/ASTM/A106 GR.B OD (MM) 219.1 WT (MM) 10.31 LEN | 49.00 | 44,478 | 21,79,413 | PUC |
| 2011-12 | 20110702 | CHINA P RP | 73043919 | CARBON STEEL SEAMLESS TUBES ASTM A 179 (SIZE 76.2 MM OD X 5 MM THK X 6 -7 MTR | 48.60 | 45,305 | 22,01,645 | PUC |
| 2011-12 | 20110719 | CHINA P RP | 73043119 | NON ALLOY STEEL SEAMLESS PIPES API 5L GRADE B114.3MMX12.50MM | 48.00 | 53,637 | 25,74,589 | PUC |
| 2011-12 | 20110701 | CHINA P RP | 73049000 | SECONDARY CARBON STEEL SEAMLESS PIPES | 48.00 | 27,454 | 13,17,771 | PUC |
| 2011-12 | 20110627 | CHINA P RP | 73049000 | SECONDARY CARBON STEEL SEAMLESS PIPES | 48.00 | 27,150 | 13,03,216 | PUC |
| 2011-12 | 20110628 | CHINA P RP | 73043911 | SEAMLESS STEEL TUBE GRADE SAE52100/GCR15SIZE: 63.30 X 8.55 | 47.88 | 72,706 | 34,80,782 | PUC |
| 2011-12 | 20110701 | CHINA P RP | 73049000 | SEAMLESS STEEL TUBE FOR | 47.16 | 61,743 | 29,11,823 | PUC |
| 2011-12 | 20110706 | CHINA P RP | 73043919 | CARBON STEEL SEAMLESS TUBE ASTM A 179 (SIZE 31.8 MM OD X 3.4 MM WT X 10600 - | 47.04 | 49,140 | 23,11,546 | PUC |
| 2011-12 | 20110704 | CHINA P RP | 73049000 | COLD DRAWN SEAMLESS CARBON STEEL TUBES(33.38*3.38*4000-5800M(ST 37.4) | 47.00 | 60,576 | 28,47,051 | PUC |
| 2011-12 | 20110716 | CHINA P RP | 73049000 | CARBON STEEL SEAMLESS PIPES API 5L/ASTM A53/A106 GR.B | 46.00 | 34,708 | 15,96,567 | PUC |
| 2011-12 | 20110713 | INDONESIA | 98010013 | SEAMLESS CARBON STEEL PIPES (5.00 MTR @ 1167.33 PER/MTR) (S37/28/2010) (CIF.RS. | 45.00 | 88,627 | 39,88,204 | PUC |
| 2011-12 | 20110708 | ITALY | 73049000 | CARBON STEEL SEAMLESS PIPE ASTM A 106 GR B / API 5L GR.B 2INCH X SCH80 X 5-5.8 | 45.00 | 44,371 | 19,96,693 | PUC |
| 2011-12 | 20110706 | CHINA P RP | 73049000 | SEAMLESS STEEL TUBE, BKS (60.3MM X 5.5MM X 5500 MM) | 45.00 | 52,524 | 23,63,575 | PUC |
| 2011-12 | 20110707 | U S A | 73069090 | A519 COLD DRAWN SEAMLESS TUBING (SIZE: 273(MM)273.558 X290.081 OD, 239.5MM ID) | 44.16 | 1,41,146 | 62,32,376 | PUC |
| 2011-12 | 20110716 | CHINA P RP | 73049000 | CARBON STEELSEAMLESS PIPE STANDARD ASTM A53 GRADE GR.BDIMENSION O.D 228.6 MM TH | 44.00 | 44,038 | 19,37,657 | PUC |
| 2011-12 | 20110627 | CHINA P RP | 73045110 | BEARING QUALITY STEEL TUBE SAE 52100 AND SUJ-3 (6201 IR) SIZE 19.1 X 3.85MM | 43.17 | 71,913 | 31,04,475 | PUC |
| 2011-12 | 20110711 | CHINA P RP | 73043119 | NON ALLOY STEEL SEAMLESS PIPES API 5L GRADE B114.3MMX12.50MM | 42.00 | 50,286 | 21,12,020 | PUC |
| 2011-12 | 20110718 | SINGAPORE | 73045110 | BEARING QUALITY STEEL TUBE SAE-52100 (NUP208E LOOSE LIP) SIZE 54.25 X 39.67 MM | 41.82 | 72,073 | 30,13,805 | PUC |
| 2011-12 | 20110629 | CHINA P RP | 73043119 | SEAMLESS STEEL PIPE PART NO. 44015-P-001-2 & SIZE: 20*5.7 | 41.68 | 57,374 | 23,91,334 | PUC |
| 2011-12 | 20110723 | CHINA P RP | 73045110 | BEARING QUALITY STEEL TUBE SAE-52100 (NUP208E LIPINNER) SIZE 53.98 X 39.69 MM | 41.06 | 72,547 | 29,78,504 | PUC |
| 2011-12 | 20110706 | UKRAINE | 73049000 | SECONDARY CARBON STEEL SEAMLESS PIPES,MIXED SIZES | 41.00 | 26,187 | 10,73,664 | PUC |
| 2011-12 | 20110722 | CHINA P RP | 73042990 | BEARING SEAMLESS STEEL TUBES - 6303OR (4550 MTRS/18 BUNDLES) | 39.41 | 80,993 | 31,91,934 | PUC |
| 2011-12 | 20110702 | CHINA P RP | 73045130 | SEAMLESS CARBON STEEL PIPES - GRADE: API SPEC 5L B PSL1/ASTM A106B SIZE: 273.1M | 39.00 | 41,469 | 16,17,273 | PUC |
| 2011-12 | 20110701 | CHINA P RP | 73045110 | BEARING QUALITY STEEL TUBE SAE 52100 AND SUJ-3 (6201IR) SIZE 28.5 X 4.55MM | 37.94 | 71,752 | 27,22,555 | PUC |
| 2011-12 | 20110623 | ITALY | 73043931 | SEAMLESS CARBON STEEL PIPES(TO SPEC SA 106)OD:273.00MM 10,748 IN WT:36.00MM | 37.00 | 74,916 | 27,71,879 | PUC |
| 2011-12 | 20110628 | CHINA P RP | 73043119 | SKIVED AND BURNISHED TUBES(ID-160MM X OD-190MM) | 36.39 | 40,947 | 14,90,245 | PUC |
| 2011-12 | 20110705 | ITALY | 73043911 | CS NACE PIPES - PIPE PE/BE 10 SCH 140 ASTM A106B SMLS CS-NACE ASME B36.10M | 35.05 | 1,89,196 | 66,31,810 | PUC |
| 2011-12 | 20110713 | CHINA P RP | 98010013 | SEAMLESS CARBON STEEL PIPES TO SPEC SA106 (200.00 MTR@478.72 PER/MTR) (S37/22/2 | 35.00 | 1,24,523 | 43,58,312 | PUC |
| 2011-12 | 20110712 | U ARAB EMTS | 73049000 | SECONDARY CARBON STEEL PIPE FITTING | 34.00 | 27,852 | 9,46,961 | PUC |
| 2011-12 | 20110707 | SOUTH AFRICA | 73049000 | M.S.DEFECTIVE PIPES | 33.00 | 25,639 | 8,46,094 | PUC |
| 2011-12 | 20110702 | CHINA P RP | 73045110 | STEEL TUBE DIA 4.76X0.55MM WITH ZINC COATED(CAPTIVE CONSUMPTION) | 31.42 | 70,890 | 22,27,225 | PUC |
| 2011-12 | 20110630 | JAPAN | 73049000 | BEARING QUALITY STEEL TUBES SAE52100 OD62.90MM X WT6.15MM | 30.91 | 96,512 | 29,83,461 | PUC |
| 2011-12 | 20110712 | CHINA P RP | 73041190 | SEAMLESS HOLLOW SECTION AS PER ASTM A500 GRADE C IN LENGTH OF 6-11 METRES 70*40 | 28.84 | 58,306 | 16,81,532 | PUC |
| 2011-12 | 20110702 | JAPAN | 73049000 | ALLOY STEEL SEAMLESS STEEL TUBES O.D. 47.55 MM X W/TH.5.30MM | 27.78 | 1,90,468 | 52,91,468 | PUC |
| 2011-12 | 20110715 | OMAN | 73069090 | SECONDARY/DEFECTIVE MS PIPE OF MIX SIZES | 27.00 | 21,518 | 5,80,992 | PUC |
| 2011-12 | 20110708 | CHINA P RP | 73049000 | CARBON STEEL SEAMLESS PIPES ASTM A106 GRADE B | 27.00 | 33,063 | 8,92,696 | PUC |
| 2011-12 | 20110615 | CHINA P RP | 73042390 | 3.5 OD 15.50 DRILL PIPE | 26.08 | 2,54,734 | 66,43,466 | PUC |
| 2011-12 | 20110705 | SWEDEN | 73045110 | SECONDARY AND DEFECTIVE SEAMLESS STEEL TUBES [ALLOY] GRADE ST52-3 SIZE:THICK X | 26.03 | 36,836 | 9,58,837 | PUC |
| 2011-12 | 20110719 | UNSPECIFIED | 73042990 | 5-1/2 INCH HEAVY WEIGHT DRILL PIPES AS PER PO NO: 04-0004944- DATED 11.05.2011 | 26.01 | 2,63,711 | 68,59,125 | PUC |

**Import Data from DGCIS [All Countries PUC]
Apr 2009 to Jun 2012**

| Year | Date | Country | ITC-HS | Item-Des | Quantity (MT) | Price (Rs./MT) | Value (Rs) | PUC/ NPUC |
|---------|----------|-------------|----------|---|---------------|----------------|------------|--------------|
| 2011-12 | 20110705 | U ARAB EMTS | 73049000 | SECONDARY DEFECTIVE CARBON STEEL PIPES MIXED | 26.00 | 25,829 | 6,71,564 | PUC |
| 2011-12 | 20110627 | SAUDI ARAB | 73049000 | SECONDARY SECOND CARBON STEEL SEAMLESS/ WELDED PIPE FITTINGS, MIXED THICKNESS M | 26.00 | 25,396 | 6,60,288 | PUC |
| 2011-12 | 20110709 | CHINA P RP | 73043939 | SEAMLESS PIPES SIZE: OD 60 MM X WT 12.5MM X LENGTH 1-5.8 (M) , API 5L ASTM A 1 | 26.00 | 46,816 | 12,17,216 | PUC |
| 2011-12 | 20110720 | CHINA P RP | 73049000 | CARBON STEEL SECONDARY SECOND CHOICE SEAMLESS PIPES MIXED SIZE | 26.00 | 26,497 | 6,88,913 | PUC |
| 2011-12 | 20110720 | CHINA P RP | 73045120 | SUPPLY OF CDS - READY TO HONE PRECISION TUBES GRADE: ST 52,BK+ S - OD 140 X ID | 25.95 | 54,167 | 14,05,398 | PUC |
| 2011-12 | 20110716 | CHINA P RP | 73043119 | SEAMLESS STEEL TUBES ASTM A106 GR B / API 5L GR B SIZE : 219MM X 18MM X10.2 MM | 25.00 | 37,992 | 9,49,888 | PUC |
| 2011-12 | 20110624 | ITALY | 73043921 | SEAMLESS CARBON STEEL PIPES(TO SPEC SA 106)OD:219,10 MM X 8626 IN WT:32,00 MM X | 25.00 | 77,767 | 19,44,176 | PUC |
| 2011-12 | 20110627 | U ARAB EMTS | 73049000 | OLD AND USED CARBON STEEL PIPE SEAMLESS | 25.00 | 21,975 | 5,49,365 | PUC |
| 2011-12 | 20110722 | U S A | 73069090 | SECONDARY/DEFECTIVE SEAMLESS PIPES | 25.00 | 230 | 5,751 | PUC |
| 2011-12 | 20110625 | CHINA P RP | 73045110 | SEAMLESS STEEL PIPES - SIZE : O.D. 27.0 X W.T. 3 X L. 10-11.8 MM - | 25.00 | 49,598 | 12,39,946 | PUC |
| 2011-12 | 20110718 | CHINA P RP | 73049000 | CARBON STEEL SEAMLESS PIPES AS PER ASTM A106 GR.B/API 5L/A53GR.B | 25.00 | 48,126 | 12,03,140 | PUC |
| 2011-12 | 20110712 | CHINA P RP | 73043939 | SEAMLESS PIPES SIZE : OD 60 MM X WT 12.5 MM X LENGTH 1-5.8M , API 5L ASTM A | 25.00 | 47,144 | 11,78,607 | PUC |
| 2011-12 | 20110703 | CHINA P RP | 73049000 | CARBON STEEL SEAMLESS PIPES ASTM A106 GRB | 25.00 | 45,289 | 11,32,213 | PUC |
| 2011-12 | 20110725 | CHINA P RP | 73049000 | CARBON STEEL SEAMLESS PIPES GRADE ASTM A 106-B | 25.00 | 30,609 | 7,65,216 | PUC |
| 2011-12 | 20110706 | CHINA P RP | 73043119 | SUPPLY OF COLD DRAWN SEAMLESS TUBES SIZE ASME SA 210 GR.A1 (OD 38.00MM X 3WT3.0 | 24.43 | 61,478 | 15,01,887 | PUC |
| 2011-12 | 20110722 | GERMANY | 73043939 | SEAMLESS PIPES SIZE: OD 60MM X WT 12.5MM X LENGTH 1-5.8M ,API 5L ASTM A 106 GR | 24.00 | 47,548 | 11,41,140 | PUC |
| 2011-12 | 20110704 | CHINA P RP | 73049000 | COLD DRAWN SEAMLESS CARBON STEEL TUBES(33.38*3.38*4000-5800M(ST 37.4) | 24.00 | 57,525 | 13,80,604 | PUC |
| 2011-12 | 20110721 | CHINA P RP | 73041110 | SEAMLESS CARBON STEEL PIPE 41.1MMX57MM | 24.00 | 52,932 | 12,70,359 | PUC |
| 2011-12 | 20110704 | CHINA P RP | 73049000 | COLD DRAWN SEAMLESS CARBON STEEL TUBES(33.38*3.38*4000-5800M(ST 37.4) | 24.00 | 51,790 | 12,42,953 | PUC |
| 2011-12 | 20110711 | CHINA P RP | 73049000 | CARBON STEEL SEAMLESS PIPES OF ASTM A106 GR. B | 24.00 | 32,817 | 7,87,596 | PUC |
| 2011-12 | 20110623 | CHINA P RP | 73049000 | SECONDARY CARBON STEEL SEAMLESS PIPES IN MIXED SIZES | 24.00 | 25,471 | 6,11,309 | PUC |
| 2011-12 | 20110627 | CHINA P RP | 73049000 | CARBON STEEL SEAMLESS PIPE GRADE DIN17175 ST35.8 SIZE 33.4X3.38X10500-11800 MM | 23.80 | 48,846 | 11,62,572 | PUC |
| 2011-12 | 20110723 | CHINA P RP | 73043139 | HYDRAULIC CYLINDER TUBE (SIZE: 120 X 100 MM) | 23.72 | 63,234 | 14,99,766 | PUC |
| 2011-12 | 20110630 | JAPAN | 73049000 | BEARING QUALITY STEEL TUBES SAE52100 OD62.90MM X WT4.85MM | 23.71 | 1,05,468 | 25,00,433 | PUC |
| 2011-12 | 20110704 | CHINA P RP | 73043911 | SEAMLESS MOTHER TUBES(SAE 1010)(SIZE: 30X4X4500-5800MM) | 23.44 | 53,918 | 12,63,988 | PUC |
| 2011-12 | 20110701 | JAPAN | 73045110 | HOT FINISHED SEAMLESS CARBON & ALLOY STEEL PIPES GR. SA106M-B, SIZE : 219.10 O | 23.01 | 77,351 | 17,80,009 | PUC |
| 2011-12 | 20110721 | KOREA RP | 73041910 | SEAMLESS PRECISION STEEL TUBE - 50 X 6 X L (=940MMX 2/3/4/5/6) | 23.00 | 54,151 | 12,45,479 | PUC |
| 2011-12 | 20110711 | U S A | 73069090 | SECONDARY AND DEFECTIVE M.S. PIPES PSINO. 08186/K/D/103711/B DT.26.03.11. | 23.00 | 21,386 | 4,91,885 | PUC |
| 2011-12 | 20110625 | CHINA P RP | 73045110 | BEARING QUALITY STEEL TUBE SAE-52100 AND SUJ-3 TMB6306/251R43.6X9.7MM | 23.00 | 78,403 | 18,03,274 | PUC |
| 2011-12 | 20110719 | CHINA P RP | 73049000 | CARBON STEEL SEAMLESS PIPES AS PER ASTM A 106/API 5L/A53 GRADE B | 23.00 | 34,372 | 7,90,566 | PUC |
| 2011-12 | 20110629 | FRANCE | 73043119 | PLAIN&SEANLESS TUBES/PIPE(COLD DRAWN SEAMLESS CARBON STEELDRLG TUBE)TUBES OUT D | 22.98 | 97,516 | 22,40,624 | PUC |
| 2011-12 | 20110711 | FRANCE | 73043119 | PLAIN END SEAMLESS TUBES/PIPES(COLD DRAWN SEML.CARBON STEELDRLG.TUBES PIPES)OUT | 22.46 | 96,840 | 21,75,413 | PUC |
| 2011-12 | 20110711 | CHINA P RP | 73043939 | SAE5 2100 ANNEALED BEARING TUBE (MADE OF MS) 44.00 X 8.00 | 22.41 | 74,121 | 16,61,343 | PUC |
| 2011-12 | 20110629 | CHINA P RP | 73043129 | HYDRAULIC CYLINDER TUBE 125*110(FOR CAPTIVE CONSUMPTION) | 22.35 | 76,569 | 17,11,247 | PUC |
| 2011-12 | 20110706 | U ARAB EMTS | 73043939 | SEAMLESS STEEL TUBES GRADE 34CRMO4 SIZE 267.00MM-WT 7.70MM | 22.00 | 57,244 | 12,59,361 | PUC |
| 2011-12 | 20110628 | U ARAB EMTS | 73049000 | M. S. SECONDARY DEFECTIVE SEAMLESS PIPE | 22.00 | 25,431 | 5,59,484 | PUC |
| 2011-12 | 20110701 | CHINA P RP | 73049000 | COLD DRAWN SEAMLESS CARBON STEEL TUBES(33.38*3.50*5100-5800MM (C 45) | 22.00 | 61,758 | 13,58,675 | PUC |
| 2011-12 | 20110715 | CHINA P RP | 73049000 | CARBON STEEL SEAMLESS PIPES ASTM A106-B | 22.00 | 32,284 | 7,10,249 | PUC |
| 2011-12 | 20110704 | ITALY | 73049000 | COLD DRAWN SEAMLESS STEEL TUBE105,00X7,50 E355 +SR 4000-5800 | 21.83 | 90,263 | 19,70,290 | PUC |
| 2011-12 | 20110728 | CHINA P RP | 73043139 | HYDRAULIC CYLINDER TUBE(190X160X4160 MM) 20.80 MTRS/133.42 USD | 21.67 | 81,953 | 17,75,928 | PUC |
| 2011-12 | 20110627 | FRANCE | 73041110 | STEEL TUBE - TUBE EN10210-1/2 S355J2H (150 X 100 X 8) 701402608000 | 21.07 | 79,032 | 16,65,356 | PUC |

**Import Data from DGCIS [All Countries PUC]
Apr 2009 to Jun 2012**

| Year | Date | Country | ITC-HS | Item-Des | Quantity (MT) | Price (Rs./MT) | Value (Rs) | PUC/ NPUC |
|---------|----------|--------------|----------|---|---------------|----------------|------------|--------------|
| 2011-12 | 20110627 | U S A | 73049000 | MS SECONDARY DEFECTIVE PIPES (PSIC NO. 08186/K/D/105579/B DTD:23.04.2011) | 21.00 | 22,348 | 4,69,317 | PUC |
| 2011-12 | 20110701 | CHINA P RP | 73049000 | STEEL TUBES19.7 OD X 2.65 WT | 21.00 | 90,492 | 19,00,331 | PUC |
| 2011-12 | 20110720 | CHINA P RP | 73043939 | CARBON SEAMLESS STEEL TUBE 61.5*9*5000-6000MMMM | 21.00 | 48,890 | 10,26,685 | PUC |
| 2011-12 | 20110702 | CHINA P RP | 73049000 | SEAMLESS COLD DRAWN TUBES ST 52 MADE OF STEEL (MS) 95X (79.45-79.8) X ((5000-5 | 21.00 | 36,842 | 7,73,673 | PUC |
| 2011-12 | 20110628 | CHINA P RP | 73043129 | SEAMLESS STEEL TUBES - 225*200 | 20.45 | 73,604 | 15,04,844 | PUC |
| 2011-12 | 20110721 | CHINA P RP | 73049000 | ALLOY STEEL SEAMLESS TUBE 20 CR 20.4 X 8 (OD X ID)MM | 20.10 | 67,348 | 13,53,837 | PUC |
| 2011-12 | 20110719 | CHINA P RP | 73049000 | COLD DRAWN ALLOY STEEL SEAMLESS STEEL TUBE(SAE52100)19.7MM X 14.5 MM | 20.00 | 94,184 | 18,83,673 | PUC |
| 2011-12 | 20110711 | CHINA P RP | 73049000 | CARBON STEEL SEAMLESS PIPE | 20.00 | 53,102 | 10,62,038 | PUC |
| 2011-12 | 20110627 | CHINA P RP | 73049000 | COLD DRAWN SEAMLESS PIN STEEL TUBE SCM415H OD14.30MM X ID 10.00MM | 19.79 | 1,27,429 | 25,22,209 | PUC |
| 2011-12 | 20110705 | JAPAN | 73049000 | SEAMLESS ALLOY STEEL TUBES JIS G3441 SCM415TK 30.70MM OD X 24.90MM ID X 5M | 19.44 | 1,44,951 | 28,18,144 | PUC |
| 2011-12 | 20110629 | CHINA P RP | 73043939 | SAE 52100 SEAMLESS PIPE 37.50 X 7.25 MM | 19.19 | 75,388 | 14,46,320 | PUC |
| 2011-12 | 20110702 | CHINA P RP | 73045910 | BEARING SEAMLESS STEEL TUBE 61902IR 19.15X2.5 | 19.10 | 99,364 | 18,97,852 | PUC |
| 2011-12 | 20110704 | GERMANY | 98010013 | SEAMLESS CARBON STEEL PIPES (TO SPEC SA 106)SIZE AS PER INVOICE S37/25/2010 GR | 19.00 | 95,758 | 18,19,410 | PUC |
| 2011-12 | 20110627 | CHINA P RP | 73043929 | SEAMLESS CARBON STEEL PIPE 194X22 MM | 19.00 | 43,763 | 8,31,502 | PUC |
| 2011-12 | 20110625 | ITALY | 73043931 | SEAMLESS CARBON STEEL PIPES(TO SPEC SA 106)OD:273.00 MM X 10748 IN WT:5000 MM X | 18.00 | 86,428 | 15,55,704 | PUC |
| 2011-12 | 20110704 | MALAYSIA | 73041110 | CARBON STEEL SEAMLESS TUBES 19.05X2X4510MM/1224PCS] | 18.00 | 62,169 | 11,19,043 | PUC |
| 2011-12 | 20110720 | CHINA P RP | 73043119 | COLD DRAWN STEEL TUBE (82X6.25MM) | 18.00 | 70,222 | 12,63,993 | PUC |
| 2011-12 | 20110629 | CHINA P RP | 73045920 | HOT FINISHED CARBON STEEL SEAMLESS MOTHER PIPES [127MM X 9.12MM X 7.04M X 93 | 18.00 | 56,621 | 10,19,182 | PUC |
| 2011-12 | 20110630 | U ARAB EMTS | 73049000 | SECONDARY SECOND CHOICE CARBON STEEL SEAMLESS/WELDED PIPES | 17.63 | 26,082 | 4,59,833 | PUC |
| 2011-12 | 20110624 | U ARAB EMTS | 73049000 | M S PIPE | 17.00 | 23,611 | 4,01,392 | PUC |
| 2011-12 | 20110702 | CHINA P RP | 73043119 | CARBON STEEL SEAMLESS PIPES (121X22X4500-5800MM) | 17.00 | 27,223 | 4,62,790 | PUC |
| 2011-12 | 20110718 | CHINA P RP | 73049000 | SEAMLESS ALLOY STEEL TUBES JIS G3441 SCM415TK 34.00MM OD X 26.00MM ID X 5M | 16.82 | 1,41,486 | 23,79,508 | PUC |
| 2011-12 | 20110628 | CHINA P RP | 73045110 | STEEL TUBE DIA 4-76 X 0.65MM WITH COPPER COATED (CAPTIVE CONSUMPTION) | 16.48 | 67,880 | 11,18,425 | PUC |
| 2011-12 | 20110704 | ITALY | 73043921 | SEAMLESS CARBON STEEL PIPES(TO SPEC SA106)SIZE AS PER INVOICE | 16.00 | 75,842 | 12,13,478 | PUC |
| 2011-12 | 20110706 | CHINA P RP | 73069090 | BEARING SEAMLESS CUT TUBES - 6002 IR - CUT BLANKS (COMPOSITION-C-0.93-1.05,MN-0 | 15.67 | 1,52,960 | 23,96,884 | PUC |
| 2011-12 | 20110719 | CHINA P RP | 73041190 | 41/2 (114.3X6.35) OD SEAMLESS CASING PIPE, API 5CT, N 80 GRADE, RANGE III, BT | 15.57 | 74,281 | 11,56,913 | PUC |
| 2011-12 | 20110630 | CANADA | 73049000 | BEARING QUALITY STEEL TUBES SAE52100 OD51.25MM X WT7.90MM | 15.23 | 1,05,621 | 16,08,609 | PUC |
| 2011-12 | 20110707 | SOUTH AFRICA | 73049000 | M.S DEFECTIVE PIPES | 15.00 | 24,872 | 3,73,080 | PUC |
| 2011-12 | 20110718 | U S A | 73069090 | A519 COLD DRAWN SEAMLESS TUBING (SIZE: 147.040 MM OD X 108MM ID) | 14.98 | 1,93,953 | 29,06,125 | PUC |
| 2011-12 | 20110630 | JAPAN | 73049000 | BEARING QUALITY STEEL TUBES SAE52100 OD42.45MM X WT5.95MM | 14.80 | 1,06,189 | 15,71,060 | PUC |
| 2011-12 | 20110704 | CHINA P RP | 73041190 | SEAMLESS STEEL TUBES ST19.40MM X 12.033MM SCM415H | 14.72 | 1,26,289 | 18,58,719 | PUC |
| 2011-12 | 20110624 | CHINA P RP | 73041190 | CARBON STEEL SEAMLESS PIPE ASTM A 106-GRADE A42.2MMX4MMX5200MM | 14.00 | 36,607 | 5,12,492 | PUC |
| 2011-12 | 20110718 | CHINA P RP | 73043129 | HYDRAULIC CYLINDER TUBE 125*110(FOR CAPTIVE CONSUMPTION) | 13.13 | 1,24,948 | 16,40,723 | PUC |
| 2011-12 | 20110711 | ITALY | 73049000 | SECONDARY CARBON STEEL SEAMLESS PIPES | 13.00 | 26,299 | 3,41,885 | PUC |
| 2011-12 | 20110624 | CHINA P RP | 73041190 | CARBON STEEL SEAMLESS PIPE ASTM A 106-GRADE A42.2MMX4MMX4600MM | 12.00 | 36,789 | 4,41,469 | PUC |
| 2011-12 | 20110708 | CHINA P RP | 73045910 | CARBON STEEL SEAMLESS TUBES SA-210M GR. A1 SIZE 101.6 OD X6.35 THK X 10700 MM | 11.78 | 56,783 | 6,69,015 | PUC |
| 2011-12 | 20110627 | JAPAN | 73049000 | COLD DRAWN SEAMLESS TUBE (PIN STEEL) ITEM NO. RGPS02017.15(+0.08/-0)X12.0(+0. | 11.56 | 2,69,860 | 31,18,227 | PUC |
| 2011-12 | 20110711 | CHINA P RP | 73043129 | NON ALLOY STEEL SEAMLESS PIPES API 5L GRADE B 159MMX9MM | 10.00 | 50,355 | 5,03,548 | PUC |
| 2011-12 | 20110715 | CHINA P RP | 73069090 | SEAMLESS STEEL TUBES - 6202 IR - SKF3S - OD22.50MMXID14.10MM (COMPOSITION-C-0.9 | 10.00 | 1,06,448 | 10,64,378 | PUC |
| 2011-12 | 20110713 | CHINA P RP | 73043119 | COLD DRAWN SEAMLESS CARBON STEEL TUBES ST 52 SIZE : 63.5 X 6.5 MM LENGTH : (600 | 9.93 | 50,960 | 5,06,135 | PUC |
| 2011-12 | 20110617 | ITALY | 73042990 | SURPLUS CARBON STEEL PIPES SIZE: 20 | 9.73 | 2,88,793 | 28,09,382 | PUC |

**Import Data from DGCIS [All Countries PUC]
Apr 2009 to Jun 2012**

| Year | Date | Country | ITC-HS | Item-Des | Quantity (MT) | Price (Rs./MT) | Value (Rs) | PUC/ NPUC |
|---------|----------|---------------|----------|--|---------------|----------------|------------|--------------|
| 2011-12 | 20110702 | THAILAND | 73041190 | CS SEAMLESS STEEL TUBES ASTM A106GR.B/API 5L GR.BSIZE:2 XSCH80X5.8MTR | 8.00 | 2,08,896 | 16,71,168 | PUC |
| 2011-12 | 20110702 | TAIWAN | 73044900 | HONED TUBE - STKM 13C SIZE: 80 MM * 95 MM * 1800 MM * (40PCS) | 7.29 | 1,43,019 | 10,43,178 | PUC |
| 2011-12 | 20110630 | GERMANY | 73041190 | CIRCUALR SECTION TUBE, S355J2H, FORMAT: .219.1X10MM, (MATERIAL NO. 350000000000) | 7.12 | 28,948 | 2,06,075 | PUC |
| 2011-12 | 20110708 | GERMANY | 73043119 | SEAMLESS STEEL TUBES | 6.10 | 2,90,345 | 17,71,686 | PUC |
| 2011-12 | 20110704 | CHINA P RP | 73045110 | BEARING QUALITY STEEL TUBE SAE52100 : (SIZE- 55.7*7.1) | 5.66 | 66,885 | 3,78,569 | PUC |
| 2011-12 | 20110620 | JAPAN | 73045910 | SEAMLESS ALLOY STEEL BOILER TUBES (76.1MM OD X 14MM WT X 10000MM) | 5.15 | 2,62,075 | 13,49,044 | PUC |
| 2011-12 | 20110712 | CHINA P RP | 73043911 | SEAMLESS POLISHED PIPE SIZE:4 X 2MM ROUND PIPE | 5.01 | 2,06,415 | 10,33,311 | PUC |
| 2011-12 | 20110622 | ROMANIA | 73043921 | SEAMLESS CARBON STEEL PIPES (TO SPEC 106)SIZE AS PER INVOICE | 5.00 | 75,003 | 3,75,017 | PUC |
| 2011-12 | 20110627 | CHINA P RP | 73043929 | SEAMLESS CARBON STEEL PIPE 194X22 MM | 5.00 | 48,965 | 2,44,824 | PUC |
| 2011-12 | 20120109 | CHINA P RP | 73043129 | STEEL TUBES | 5.00 | 30,212 | 1,51,059 | PUC |
| 2011-12 | 20110613 | GERMANY | 73041110 | SEAMLESS STEEL PIPE IN ST35.8I,DIN2448 (SIZE:76.1. X 4.5) FOR VESSEL V.NO.398 | 4.86 | 1,54,915 | 7,52,365 | PUC |
| 2011-12 | 20110715 | JAPAN | 73041110 | CARBON STEEL TUBES,STKM13A 190.7X6.0X1470MM (TUBES FOR DUMPTRUCK INDUSTRY) | 4.66 | 3,30,901 | 15,42,625 | PUC |
| 2011-12 | 20110709 | GERMANY | 73069090 | SEAMLESS P+P-PRECISION-STEEL TUBES DIN 2391-C:09.1994+DIN EN 10083-1:10.2006-GR | 4.62 | 6,25,170 | 28,88,909 | PUC |
| 2011-12 | 20110706 | CHINA P RP | 73043919 | CARBON STEEL SEAMLESS TUBE ASTM A 179 (SIZE 31.8 MM OD X 3.4 MM WT X 10600 - | 4.52 | 49,140 | 2,22,211 | PUC |
| 2011-12 | 20110708 | MALAYSIA | 73041910 | SQUARE & RECTANGULAR HOLLOW TUBES 75MM X 75MM X 6MM 6METERSLENGTHS | 4.50 | 1,30,928 | 5,89,176 | PUC |
| 2011-12 | 20110629 | SRI LANKA DSR | 73041990 | HONED TUBE 40X50 (H8-H9) X2000-5000 (50.47 MTRS / 19 PCS) | 4.28 | 78,117 | 3,34,497 | PUC |
| 2011-12 | 20110721 | CHINA P RP | 73041190 | SEAMLESS SQUARE PIPE 200 X120 X12.5MM X1.25MX25 PCS | 4.11 | 70,005 | 2,87,386 | PUC |
| 2011-12 | 20110729 | GERMANY | 98010013 | 98010013 SEAMLESS TUBES(CARBON STEEL)(S37/22/2010) | 4.00 | 82,335 | 3,29,338 | PUC |
| 2011-12 | 20110627 | BRAZIL | 73042990 | HONED TUBE STKM 13C DIA 90MM *105MM (17.13MTRS) | 3.61 | 1,23,205 | 4,44,279 | PUC |
| 2011-12 | 20110712 | JAPAN | 73049000 | COLD DRAWN SEAMLESS TUBE (PIN STEEL) ITEM NO. RGPS03615.15(+0.08/-0)X10.0(+/-0. | 3.55 | 2,77,076 | 9,82,788 | PUC |
| 2011-12 | 20110620 | U K | 73045920 | SEAMLESS ALLOY STEEL PIPES (OD 219.1 MM X WT 36MM) (12.000MTR @371.43 EUR/MTR | 3.00 | 1,48,773 | 4,46,318 | PUC |
| 2011-12 | 20110630 | JAPAN | 73049000 | BEARING QUALITY STEEL TUBES SAE52100 OD33.65MM X WT6.60MM | 2.79 | 1,12,434 | 3,13,578 | PUC |
| 2011-12 | 20110714 | JAPAN | 73043911 | CS NACE SEAMLESS PIPE (ASTM A106 B) SIZE: 4 (C/O-JAPAN) | 2.77 | 1,77,014 | 4,90,682 | PUC |
| 2011-12 | 20110701 | GERMANY | 73045910 | SEAMLESS MEDIUM-CARBON STEEL TUBES ASME SA-210M-HF GRADE A-1 SIZE : 44.500 X 6 | 2.76 | 83,438 | 2,30,121 | PUC |
| 2011-12 | 20110713 | JAPAN | 73045910 | SEAMLESS CARBON STEEL PIPES ASME GR. SA106M-B, SIZE : 141.30 OD X 30.00 WT X 6 | 2.19 | 85,634 | 1,87,367 | PUC |
| 2011-12 | 20110721 | CHINA P RP | 73041910 | SEAMLESS STEEL TUBE 18 MM X 2.5 MM (100 PCS) (600 MTR) | 1.70 | 1,89,977 | 3,22,011 | PUC |
| 2011-12 | 20110630 | JAPAN | 73049000 | BEARING QUALITY STEEL TUBES SAE52100 OD37.55MM X WT7.05MM | 1.65 | 1,04,001 | 1,71,186 | PUC |
| 2011-12 | 20110715 | JAPAN | 73045910 | HOT FINISHED SEAM CARBON & ALLOY STEEL PIPES ASTM/ASME GR.A/SA106-B, PLAIN END | 1.55 | 77,355 | 1,19,514 | PUC |
| 2011-12 | 20110705 | JAPAN | 73045910 | SEAMLESS CARBON & ALLOY STEEL PIPES GR. SA106M-B, SIZE : 141.30 OD X 30.00 WT | 1.09 | 85,633 | 93,683 | PUC |
| 2011-12 | 20110630 | SINGAPORE | 73042390 | SLIP, ROTARY DRILLPIPE 6-7/8 X 5-7/8 IN COMPLETE WITH INSERTS AND FLEX HANDLES | 1.00 | 2,50,155 | 2,50,155 | PUC |
| 2011-12 | 20110627 | SAUDI ARAB | 73049000 | SECONDARY SECOND CARBON STEEL SEAMLESS/ WELDED PIPE FITTINGS, MIXED THICKNESS M | 1.00 | 25,793 | 25,793 | PUC |
| 2011-12 | 20110705 | U ARAB EMTS | 73049000 | SECONDARY DEFECTIVE CARBON STEEL PIPES MIXED | 1.00 | 9,178 | 9,178 | PUC |
| 2011-12 | 20110706 | UKRAINE | 73049000 | SECONDARY CARBON STEEL SEAMLESS PIPES,MIXED SIZES | 1.00 | 7,045 | 7,045 | PUC |
| 2011-12 | 20110704 | BELARUS | 73049000 | MILD STEEL LOW CARBON STEEL SEAMLESS PIPES MIXED SECOND CHOICE | 1.00 | 6,895 | 6,895 | PUC |
| 2011-12 | 20110707 | UKRAINE | 73049000 | SECONDARY CARBON STEEL SEAMLESS PIPES,MIXED SIZES | 1.00 | 5,700 | 5,700 | PUC |
| 2011-12 | 20110621 | ITALY | 73041990 | 7704569 PIPE (FOR CAPTIVE USE) | 0.80 | 27,643 | 22,114 | PUC |
| 2011-12 | 20110716 | U S A | 73043929 | OILWELL SUPPLIES : PIPE, LINE SEAMLESS 1-1/2 IN X 20 FT RANDOM SCH 80 ASTM A106 | 0.68 | 2,30,417 | 1,57,375 | PUC |
| 2011-12 | 20110714 | ITALY | 73049000 | LAPPED SEAMLESS TUBE ST52 DIA. 200 X 180 X 140 - DWG. KWCYL1210621 (INDUSTRIAL | 0.60 | 1,56,950 | 94,170 | PUC |
| 2011-12 | 20110701 | CHINA P RP | 73043939 | PIPE 60,3X6,3 ST35. 8B-353-2448 (FOR FIRE EXTINGUSHING EQUIPMENT) | 0.49 | 1,91,029 | 92,989 | PUC |
| 2011-12 | 20110627 | CHINA P RP | 73049000 | K.S PROFILE L=3 MTR QTY IN MTR 150 MTR=50 NOS OF 3 MTRS | 0.35 | 1,01,524 | 35,229 | PUC |
| 2011-12 | 20110714 | BELGIUM | 73041910 | PIPE: SEAMLESS, 4 SCH 80, ASTM A106,GR | 0.30 | 2,20,643 | 66,193 | PUC |

**Import Data from DGCIS [All Countries PUC]
Apr 2009 to Jun 2012**

| Year | Date | Country | ITC-HS | Item-Des | Quantity (MT) | Price (Rs./MT) | Value (Rs) | PUC/ NPUC |
|---------|----------|------------|----------|---|---------------|----------------|-------------|--------------|
| 2011-12 | 20110707 | GERMANY | 73041990 | A2V00370002142 RO DIN2448-60,3X16-ST52.0 (ROUND TUBE) | 0.20 | 1,38,527 | 28,121 | PUC |
| 2011-12 | 20110629 | CHINA P RP | 73049000 | OILWELL SUPPLIES : PIPE, METALLIC, SINGE RANDOM LENGTH, 3/8INCH SIZE, 0.126 INC | 0.20 | 99,530 | 19,906 | PUC |
| 2011-12 | 20110617 | ITALY | 73042990 | SURPLUS CARBON STEEL PIPES SIZE: 16 / 20 | 0.20 | 2,89,797 | 57,090 | PUC |
| 2011-12 | 20110711 | IRAN | 73041910 | B\$D35RH130TUBEPARTS OF INJECTION MOULDING MACHINE(1PCS) | 0.19 | 88,263 | 17,123 | PUC |
| 2011-12 | 20110719 | GERMANY | 73049000 | M.S SEAMLESS PIPES SECOND CHOICE MIX | 0.10 | 44,190 | 4,419 | PUC |
| 2011-12 | 20110628 | U S A | 73049000 | SECONDARY M.S. PIPES OF MIX SIZES. | 0.10 | 11,660 | 1,166 | PUC |
| 2011-12 | 20110720 | CHINA P RP | 73049000 | CARBON STEEL SECONDARY SECOND CHOICE SEAMLESS PIPES MIXED SIZE | 0.02 | 1,04,000 | 2,080 | PUC |
| 2011-12 | 20110704 | CHINA P RP | 73049000 | COLD DRAWN SEAMLESS CARBON STEEL TUBES(33.38*3.38*4000-5800M(ST 37.4) | 0.01 | 53,000 | 530 | PUC |
| 2011-12 | 20110704 | CHINA P RP | 73049000 | COLD DRAWN SEAMLESS CARBON STEEL TUBES(33.38*3.38*4000-5800M(ST 37.4) | 0.01 | 52,900 | 529 | PUC |
| 2011-12 | 20110704 | CHINA P RP | 73049000 | COLD DRAWN SEAMLESS CARBON STEEL TUBES(33.38*3.38*4000-5800M(ST 37.4) | 0.01 | 52,800 | 528 | PUC |
| 2011-12 | 20110706 | CHINA P RP | 73049000 | SEAMLESS STEEL TUBE, BKS (60.3MM X 5.5MM X 5500 MM) | 0.01 | 52,800 | 528 | PUC |
| 2011-12 | 20110701 | CHINA P RP | 73049000 | COLD DRAWN SEAMLESS CARBON STEEL TUBES(33.38*3.50*5100-5800MM (C 45) | 0.01 | 51,600 | 516 | PUC |
| 2011-12 | 20110621 | CHINA P RP | 73041910 | TUBE, 38MM VA20248 PO NUMBER - DEC 10-008 (PARTS OF VACCUM CLEANER) 2PCS | 0.003 | 91,667 | 275 | PUC |
| 2011-12 | 20110810 | CHINA P RP | 73041910 | 12500M OF CAST DIABASE STEEL PIPES | 2,250.00 | 37,498 | 8,43,71,261 | PUC |
| 2011-12 | 20110727 | CHINA P RP | 73043911 | SEAMLESS CARBON STEEL HOLLOWES | 1,967.00 | 48,820 | 9,60,29,903 | PUC |
| 2011-12 | 20110804 | CHINA P RP | 73041910 | PLAIN END SEAMLESS PIPES OF SIZE 9-5/8 OD {24472.585 MTRS =1761.822 MTS (OR) 1 | 1,761.82 | 43,849 | 7,72,53,961 | PUC |
| 2011-12 | 20110801 | CHINA P RP | 73043911 | SEAMLESS CARBON STEEL TUBES (TO SPEC SA210) (OD 63.50 X 5.60 X 12150) (1206 | 1,469.00 | 67,925 | 9,97,81,981 | PUC |
| 2011-12 | 20110823 | CHINA P RP | 73042990 | REGULAR SIZE CASING PIPES (CASING PIPE 9-5/8 , GRADE N-80,43.5 PPF BTC, 1406 P | 1,098.02 | 49,662 | 5,45,29,384 | PUC |
| 2011-12 | 20110804 | TAIWAN | 73043129 | HYDRAULIC CYLINDER TUBE 220*200(FOR CAPTIVE CONSUMPTION) | 1,095.00 | 1,303 | 14,27,206 | PUC |
| 2011-12 | 20110823 | CHINA P RP | 73042990 | REGULAR SIZE CASING PIPES (CASING PIPES 9-5/8 , GRADE N-80, 43.5 PPF BTC, 1354 | 1,056.74 | 49,657 | 5,24,74,065 | PUC |
| 2011-12 | 20110801 | CHINA P RP | 73043911 | HOT FINISHED SEAMLESS TUBES (GRADE 34CRMO4) SIZE: 267 MM X 6 MM | 1,048.00 | 56,772 | 5,94,96,921 | PUC |
| 2011-12 | 20110727 | CHINA P RP | 73043911 | 73043911 SEAMLESS CARBON STEEL HOLLOWES | 1,041.00 | 48,441 | 5,04,27,547 | PUC |
| 2011-12 | 20110823 | CHINA P RP | 73042990 | REGULAR SIZE CASING PIPES (CASING PIPE 9-5/8 P-110, 47PPF BTC, 1132 PCS, 13618 | 949.56 | 54,059 | 5,13,32,082 | PUC |
| 2011-12 | 20110823 | CHINA P RP | 73042990 | REGULAR SIZE CASING PIPES (CASING PIPE 9-5/8 . P-110, 47 PPF BTC, 1076 PCS, 129 | 905.99 | 54,062 | 4,89,79,322 | PUC |
| 2011-12 | 20110817 | CHINA P RP | 73042990 | SEAMLESS PIPE 114.3 X7.9MM X-46 3 LAYER POLYETHYLENE COATED(3204 PCS) INVOICE N | 720.98 | 80,388 | 5,79,58,225 | PUC |
| 2011-12 | 20110823 | CHINA P RP | 73042990 | REGULAR SIZE CASING PIPES (CASING PIPE 9-5/8 47 PPF, L-80 BTC, 829 PCS, 9993. | 696.81 | 51,653 | 3,59,92,388 | PUC |
| 2011-12 | 20110727 | CHINA P RP | 73045910 | 73045910 SEAMLESS TUBES(C/S)TO SEPC.SA210(OD63.50X5.60X1 | 665.00 | 69,090 | 4,59,44,563 | PUC |
| 2011-12 | 20110722 | CHINA P RP | 73043919 | SEAMLESS STEEL CYLINDERS PIPE (37MM) SIZE 232MMX5.4MM(ALLOY STEEL) (HOT ROLLED) | 664.00 | 50,093 | 3,32,61,520 | PUC |
| 2011-12 | 20110726 | CHINA P RP | 73042990 | REGULAR SIZE CASING PIPES 5-1/2 20PPF P-110 BTC, 1600 PCS, 19990.100 METER | 615.47 | 55,403 | 3,40,98,545 | PUC |
| 2011-12 | 20110823 | CHINA P RP | 73042990 | REGULAR SIZE CASING PIPES (CASING PIPE 9-5/8 , L-80, 47PPF BTC, 692 PCS, 8346.1 | 581.95 | 51,654 | 3,00,60,036 | PUC |
| 2011-12 | 20110801 | CHINA P RP | 73049000 | OTHER TUBES PIPES AND HO | 574.00 | 59,025 | 3,38,80,097 | PUC |
| 2011-12 | 20110825 | CHINA P RP | 73043911 | SEAMLESS STEEL CYLINDER PIPE (37MN) SIZE: 139.8MM X 4.5MM | 560.11 | 50,525 | 2,82,99,708 | PUC |
| 2011-12 | 20110823 | CHINA P RP | 73042990 | SEAMLESS PIPE 114.3 X 7.9MM X-46 3 LAYER POLYETHYLENE COATED | 545.46 | 80,470 | 4,38,93,114 | PUC |
| 2011-12 | 20110801 | CHINA P RP | 73043911 | SEAMLESS STEEL GAS CYLIN | 509.00 | 63,775 | 3,24,61,394 | PUC |
| 2011-12 | 20110823 | CHINA P RP | 73042990 | REGULAR SIZE CASING PIPES (CASING PIPE 9-5/8 . P-110, 53.5 PPF BTC, 530 PCS, 63 | 503.37 | 53,873 | 2,71,17,914 | PUC |
| 2011-12 | 20110818 | CHINA P RP | 73042990 | SEAMLESS PIPE 114.3 X 7.9MM X-46 3 LAYER POLYETHYLENE COATED | 465.83 | 72,769 | 3,38,97,653 | PUC |
| 2011-12 | 20110817 | CHINA P RP | 73045930 | SEAMLESS STEEL GAS CYLINDERS TUBES SIZE: OD 267MM X WT 6.5MM (GRADE: 34CRM04) | 437.00 | 54,758 | 2,39,29,252 | PUC |
| 2011-12 | 20110722 | CHINA P RP | 73043911 | SEAMLESS STEEL CYLINDERS PIPE (37MM) SIZE 232MMX5.4MM(ALLOY STEEL) (HOT ROLLED) | 408.49 | 50,064 | 2,04,50,643 | PUC |
| 2011-12 | 20110728 | CHINA P RP | 73049000 | SEAMLESS PIPE 60.30 OD * 4.5MM (U.P.6.88 USD PER MTR) | 377.20 | 51,497 | 1,94,24,458 | PUC |
| 2011-12 | 20110808 | CHINA P RP | 73049000 | CARBON STEEL SEAMLESS PIPES CONFIRMING TO ASTM 106 GRADE B | 312.00 | 31,619 | 98,65,013 | PUC |
| 2011-12 | 20110820 | SPAIN | 73043911 | CARBON STEEL RIFLE TUBES (TO SPEC SA210) (5734.80MTRS@EURO28.68/MTR) | 307.00 | 1,20,067 | 3,68,60,431 | PUC |

**Import Data from DGCIS [All Countries PUC]
Apr 2009 to Jun 2012**

| Year | Date | Country | ITC-HS | Item-Des | Quantity (MT) | Price (Rs./MT) | Value (Rs) | PUC/ NPUC |
|---------|----------|-------------|----------|---|---------------|----------------|-------------|--------------|
| 2011-12 | 20110816 | CHINA P RP | 98010013 | SEAMLESS STEEL LINE PIPE SIZE: 193.70MM X 8.450MM X 11,800MM (128 BDL = 635 PIE | 290.00 | 41,348 | 1,19,90,800 | PUC |
| 2011-12 | 20110816 | CHINA P RP | 73045930 | SEAMLESS STEEL GAS CYLINDER TUBE: OD/WT/L-139.7MM X 4.5MM/5480MM | 289.00 | 50,945 | 1,47,23,137 | PUC |
| 2011-12 | 20110805 | CHINA P RP | 73069090 | CARBON SEAMLESS STEEL PIPE 134MM X4.5MM X6000MM | 268.00 | 46,471 | 1,24,54,182 | PUC |
| 2011-12 | 20110811 | CHINA P RP | 73049000 | SECONDARY CARBON STEEL SEAMLESS PIPES IN MIXED SIZES | 265.00 | 27,300 | 72,34,426 | PUC |
| 2011-12 | 20110827 | U ARAB EMTS | 98010013 | SEAMLESS CARBON STEEL PIPES(SA106 GRC) (S37/25/2010/GR6)(10.200MTR@1063.50PER/M | 260.00 | 79,357 | 2,06,32,698 | PUC |
| 2011-12 | 20110812 | CHINA P RP | 73043119 | COLD DRAWN SEAMLESS CARBON STEEL TUBES ST37.4 (SIZE 30.0 X2.5X 10000-12000MM) | 256.70 | 48,947 | 1,25,64,371 | PUC |
| 2011-12 | 20110808 | ITALY | 73049000 | CARBON STEEL SEAMLESS PIPES (SA106) | 248.47 | 1,08,844 | 2,70,44,861 | PUC |
| 2011-12 | 20110722 | BELGIUM | 73049000 | SECONDARY DEFECTIVE CARBON STEEL SEAMLESS PIPES | 248.00 | 25,689 | 63,70,833 | PUC |
| 2011-12 | 20110806 | CHINA P RP | 73049000 | CARBON STEEL SEAMLESS PIPES AS PER ASTM A106/A53/API 5L GR.B | 248.00 | 33,300 | 82,58,439 | PUC |
| 2011-12 | 20110804 | CHINA P RP | 73049000 | SEAMLESS STEEL TUBE FOR | 245.16 | 60,881 | 1,49,25,684 | PUC |
| 2011-12 | 20110804 | CHINA P RP | 73041910 | PLAIN END SEAMLESS PIPES OF SIZE 5-1/2 OD {19499.073 MTRS =509.176 MTS (OR) 14 | 242.50 | 92,068 | 2,23,26,532 | PUC |
| 2011-12 | 20110827 | CHINA P RP | 73043919 | CARBON STEEL SEAMLESS TUBES TO ASTM A179 (SIZE 27MM X 2.6MMX 10.5-11.8M) | 222.00 | 46,640 | 1,03,54,028 | PUC |
| 2011-12 | 20110825 | GERMANY | 73042990 | HOT ROLLED (C-MN) SEAMLESS STEEL TUBE OD 232MM X 5.4 MM (37MN) | 219.00 | 57,097 | 1,25,04,333 | PUC |
| 2011-12 | 20110823 | CHINA P RP | 73049000 | CARBON STEEL SEAMLESS PIPES ASTM A106/ ASTM A 53 GRADE-B | 217.00 | 47,068 | 1,02,13,861 | PUC |
| 2011-12 | 20110811 | GERMANY | 73049000 | M.S SEAMLESS PIPES SECOND CHOICE MIX | 213.00 | 25,675 | 54,68,672 | PUC |
| 2011-12 | 20110803 | CHINA P RP | 73049000 | HOT FINISHED SEAMLESS STEEL TUBE GRADE 37MN | 212.00 | 54,572 | 1,15,69,357 | PUC |
| 2011-12 | 20110804 | CHINA P RP | 73041910 | PLAIN END SEAMLESS PIPES OF SIZE 2-7/8 OD {22672.445 MTRS =212.637 MTS (OR) 23 | 208.06 | 45,043 | 93,71,470 | PUC |
| 2011-12 | 20110802 | CHINA P RP | 73043119 | COLD DRAWN SEAMLESS CABRON STEEL TUBES DIN 1629/84 ST 37.4 (SIZE :30.0 X2.5 X10 | 204.32 | 48,946 | 1,00,00,846 | PUC |
| 2011-12 | 20110821 | CHINA P RP | 73049000 | SEAMLESS STEEL TUBE FOR | 200.00 | 60,881 | 1,21,76,280 | PUC |
| 2011-12 | 20110816 | CHINA P RP | 73043919 | CARBON STEEL SEAMLESS TUBE AS PER ASTM A179 (SIZE 30X3X10000-11800 MM) | 184.99 | 51,628 | 95,50,947 | PUC |
| 2011-12 | 20110814 | CHINA P RP | 73043911 | CARBON STEEL SEAMLESS PIPE (HOT FINISHED)38.1 X 2.67 X 4880(STC 31973.76 MTRS) | 184.00 | 52,666 | 96,90,471 | PUC |
| 2011-12 | 20110816 | CHINA P RP | 73041910 | SEAMLESS PIPE | 176.01 | 47,969 | 84,43,078 | PUC |
| 2011-12 | 20110812 | CHINA P RP | 73043939 | HIGH PRESSURE SEAMLESS STEEL TUBES STANDARD JIS G 3429-88(OD267 XWT6.3MM) | 174.00 | 62,026 | 1,07,92,565 | PUC |
| 2011-12 | 20110819 | CHINA P RP | 73043929 | CARBON SEAMLESS STEEL PIPE (SIZE: 16INCH X 35MM X 4.85-5.00M) (MO 0.02 NI 0.03 | 173.00 | 47,620 | 82,38,203 | PUC |
| 2011-12 | 20110714 | CHINA P RP | 73043119 | COLD DRAWN SEAMLESS STEEL TUBES AS PER DIN STD 2391 50MM OD X 38MM ID | 166.00 | 64,061 | 1,06,34,114 | PUC |
| 2011-12 | 20110809 | U S A | 73049000 | SEAMLESS CARBON STEEL PIPE STOCKLOT | 160.00 | 28,451 | 45,52,198 | PUC |
| 2011-12 | 20110805 | CHINA P RP | 73049000 | SECONDARY/DEFECTIVE CARBON STEEL SEAMLESS PIPES | 159.30 | 25,255 | 40,23,201 | PUC |
| 2011-12 | 20110727 | CHINA P RP | 73043929 | SEAMLESS STEEL CYLINDER PIPE (37MN) SIZE: 139.8MM X 4.5MM (HOT ROLLED ALLOY S | 156.23 | 49,154 | 76,79,332 | PUC |
| 2011-12 | 20110812 | CROATIA | 73049000 | SECONDARY CARBON STEEL PIPES SEAMLESS | 151.00 | 29,149 | 44,01,460 | PUC |
| 2011-12 | 20110708 | UNSPECIFIED | 73043919 | SEAMLESS STEEL PIPES-3 NPS X 0.216 INC WT E/L 40.157FT (8 BDLS)-(6065.590 FT)-R | 150.37 | 69,096 | 1,03,89,893 | PUC |
| 2011-12 | 20110729 | CHINA P RP | 73049000 | CARBON STEEL SEAMLESS PIPES | 140.00 | 32,337 | 45,27,190 | PUC |
| 2011-12 | 20110805 | CHINA P RP | 73049000 | CARBON STEEL SEAMLESS PIPES (SA 106) | 136.57 | 1,23,573 | 1,68,76,761 | PUC |
| 2011-12 | 20110823 | ANGOLA | 73069090 | SECONDARY & DEFECTIVE MS PIPE OF VARIOUS SIZES ISRI CODE 200,201,202,206 PSI NO | 135.00 | 21,237 | 28,67,058 | PUC |
| 2011-12 | 20110805 | ROMANIA | 73043919 | HFS CARBON STEEL TUBES CONF. TO SPECN. SA 210 GRADE A1 (38.1MM X 4MM X 8-9M) | 133.35 | 54,605 | 72,81,605 | PUC |
| 2011-12 | 20110820 | CHINA P RP | 98010013 | SEAMLESS CARBON STEEL PIPES(TO SPEC SA 106)SIZE AS PER INVOICE (S37/18/2011) CI | 133.00 | 1,47,978 | 1,96,81,136 | PUC |
| 2011-12 | 20110722 | CHINA P RP | 73043911 | SEAMLESS STEEL CYLINDERS PIPE (37MM) SIZE 232MMX5.4MM(ALLOY STEEL) (HOT ROLLED) | 128.87 | 50,064 | 64,51,748 | PUC |
| 2011-12 | 20110802 | ITALY | 73049000 | COLD DRAWN SEAMLESS STEEL TUBES 150.50X7.75 E355 | 128.14 | 76,316 | 97,79,116 | PUC |
| 2011-12 | 20110818 | CHINA P RP | 73045910 | CARBON STEEL SEAMLESS TUBES GRADE:ST 35.8,38.0MM X 4.00 MM X 6-8 MTR | 127.81 | 50,064 | 63,98,780 | PUC |
| 2011-12 | 20110801 | CHINA P RP | 73049000 | CARBON STEEL SEAMLESS PIPE AS PER ASTM A106 GR.B AND DIN 2413 SIZE:168.30 X 7.1 | 127.70 | 44,457 | 56,77,260 | PUC |
| 2011-12 | 20110805 | ROMANIA | 73043919 | HFS CARBON STEEL TUBES CONF. TO SPECN. SA 210 GRADE A1 (51MM X 4MM X 5M) | 126.65 | 53,445 | 67,68,552 | PUC |
| 2011-12 | 20110819 | CHINA P RP | 73049000 | CARBON STEEL SEAMLESS PIPES API SPEC 5L B PSL1/ ASTM A 106B | 126.00 | 41,476 | 52,26,026 | PUC |

**Import Data from DGCIS [All Countries PUC]
Apr 2009 to Jun 2012**

| Year | Date | Country | ITC-HS | Item-Des | Quantity (MT) | Price (Rs./MT) | Value (Rs) | PUC/ NPUC |
|---------|----------|-------------|----------|---|---------------|----------------|-------------|--------------|
| 2011-12 | 20110811 | CHINA P RP | 73041990 | CARBON STEEL SEAMLESS TUBES 38MM OD X 8MM THK X 5300MM LONG(ASTM A 106 GR B)400 | 124.00 | 51,596 | 63,97,861 | PUC |
| 2011-12 | 20110811 | CHINA P RP | 73049000 | CARBON STEEL SEAMLESS PIPES API SPEC 5L B PSL1/ASTM A106 B | 124.00 | 31,662 | 39,26,028 | PUC |
| 2011-12 | 20110817 | U S A | 73049000 | CARBON STEEL SEAMLESS PIPE AS PER ASTM A106 16.00 * 2.00 | 123.73 | 46,659 | 57,73,244 | PUC |
| 2011-12 | 20110820 | LUXEMBOURG | 73043911 | STEEL STRUCTURAL BEAMS - UC 356 X 368 X 202 S355J2+M MOD 10025-2 11,800MM | 123.52 | 43,680 | 53,95,556 | PUC |
| 2011-12 | 20110807 | ROMANIA | 73041990 | OILWELL EQUIPMENT:PIPE CS SMLS.10 .SCH 120.API 5L/A106/A53 GRB/X42.6MTR/SRL.BE. | 123.48 | 97,378 | 1,20,23,696 | PUC |
| 2011-12 | 20110811 | BELGIUM | 73049000 | M.S SEAMLESS PIPE SECONDARY | 123.00 | 26,170 | 32,18,879 | PUC |
| 2011-12 | 20110809 | CHINA P RP | 73042400 | MS SEAMLESS PIPE 48.3MM X 5.5MM - 5.36MTR (TOTAL QTY: 21252.40 MTR - USD 6.50/M | 123.00 | 50,202 | 61,74,885 | PUC |
| 2011-12 | 20110805 | KOREA RP | 73041990 | CARBON STEEL SEAMLESS PIPES HOT FORMED FOR HIGH TEMPRETURE OPERATION AS PER INV | 122.00 | 46,934 | 57,25,912 | PUC |
| 2011-12 | 20110808 | CHINA P RP | 73049000 | CARBON STEEL SEAMLESS PIPES API SPEC 5L B PSL1/ASTM A106 B | 121.00 | 31,345 | 37,92,794 | PUC |
| 2011-12 | 20110817 | CHINA P RP | 73043139 | PRIME HOT FINISHED CARBON STEEL SEAMLESS PIPES GR. ASME SA106 GR. B SIZE : 273 | 120.00 | 19,743 | 23,69,143 | PUC |
| 2011-12 | 20110720 | CHINA P RP | 73043919 | SEAMLESS STEEL CYLINDER PIPES (34CRMO4) SIZE: 165MM X 4.4MM | 119.45 | 55,981 | 66,86,945 | PUC |
| 2011-12 | 20110805 | BULGARIA | 73049000 | CARBON STEEL SEAMLESS PIPES (SA 106) | 113.56 | 85,632 | 97,23,919 | PUC |
| 2011-12 | 20110808 | ITALY | 73043911 | CS SEAMLESS TUBULAR (GRADE: API 5L PSL2 X52Q) 8 (C/O. SAUDI ARABIA) | 112.12 | 1,22,414 | 1,37,25,471 | PUC |
| 2011-12 | 20110821 | CHINA P RP | 73049000 | SEAMLESS STEEL TUBE FOR | 111.60 | 59,285 | 66,16,226 | PUC |
| 2011-12 | 20110825 | CHINA P RP | 73049000 | SECONDARY SECOND CARBON STEEL SEAMLESS/ WELDED PIPES MIXEDTHICKNESS MIXED LOT. | 111.00 | 25,224 | 27,99,903 | PUC |
| 2011-12 | 20110727 | U S A | 73049000 | OLD AND USED CARBON STEEL SEAMLESS PIPES | 109.00 | 25,641 | 27,94,817 | PUC |
| 2011-12 | 20110720 | SINGAPORE | 73041910 | SECONDARY STEEL PIPES | 108.00 | 22,687 | 24,50,175 | PUC |
| 2011-12 | 20110818 | U S A | 73069090 | SECONDARY & DEFECTIVE MS PIPES | 108.00 | 20,865 | 22,53,435 | PUC |
| 2011-12 | 20110808 | OMAN | 73069090 | SECONDARY/ DEFECTIVE M.S PIPES | 108.00 | 20,733 | 22,39,129 | PUC |
| 2011-12 | 20110727 | CHINA P RP | 73045910 | SEAMLESS TUBES(C/S)TO SPEC.SA210(OD38.10X4.50X13800) | 107.00 | 77,346 | 82,76,004 | PUC |
| 2011-12 | 20110806 | OMAN | 73049000 | SECONDARY DEFECTIVE SEAMLESS MS PIPES | 106.00 | 25,491 | 27,02,092 | PUC |
| 2011-12 | 20110728 | CHINA P RP | 73049000 | COLD FINISHED SEAMLESS STEEL TUBES ASME SA 210, GR.C,OD57.15MM XWT10.16M M X | 105.00 | 71,288 | 74,85,246 | PUC |
| 2011-12 | 20110823 | SPAIN | 73049000 | SEAMLESS CARBON STEEL PIPES | 104.00 | 32,763 | 34,07,362 | PUC |
| 2011-12 | 20110727 | CHINA P RP | 73049000 | CARBON STEEL SEAMLESS TUBES (SA210) | 102.06 | 67,763 | 69,15,736 | PUC |
| 2011-12 | 20110830 | MALAYSIA | 98010013 | SEAMLESS CARBON STEEL PIPES (TO SPEC SA106) (S37/20/2011/ GR6) (66.00MTR@4279. | 102.00 | 1,23,831 | 1,26,30,767 | PUC |
| 2011-12 | 20110816 | OMAN | 73069090 | SECONDARY/DEFECTIVE M.S PIPES | 102.00 | 20,789 | 21,20,503 | PUC |
| 2011-12 | 20110728 | CHINA P RP | 73041910 | [CARBON SEAMLESS STEEL PIPE ASTM A 106 GR.B/API 5L GR B][273X35] | 102.00 | 32,994 | 33,65,351 | PUC |
| 2011-12 | 20110722 | CHINA P RP | 73049000 | COLD DRAWN SECONDARY SECOND CHOICE CARBON STEEL SEAMLESSPIPE ASTM A106 GR B | 102.00 | 25,778 | 26,29,363 | PUC |
| 2011-12 | 20110704 | CHINA P RP | 73042990 | 2 7/8 6.5# N80 EUE COUPLING LENGTH: 3 METERS (CASTING WITHACCESSORIES) | 100.54 | 2,14,826 | 2,15,98,713 | PUC |
| 2011-12 | 20110826 | CHINA P RP | 73049000 | SEAMLESS STEEL TUBE FOR | 100.00 | 60,881 | 60,88,140 | PUC |
| 2011-12 | 20110808 | CHINA P RP | 73049000 | OTHER TUBES PIPES AND HO | 100.00 | 53,087 | 53,08,661 | PUC |
| 2011-12 | 20110728 | U ARAB EMTS | 73049000 | SECONDARY CARBON STEEL PIPE FITTINGS | 99.00 | 26,177 | 25,91,508 | PUC |
| 2011-12 | 20110805 | CHINA P RP | 73049000 | SECONDARY SECOND CHOICE CARBON STEEL SEAMLESS PIPES | 99.00 | 25,188 | 24,93,577 | PUC |
| 2011-12 | 20110728 | CHINA P RP | 73042990 | SEAMLESS CASING PIPES, ACCORDING TO API5CT GRADE L-80 (TYPE) AND P-110, SIZE:-O | 98.82 | 79,203 | 78,26,866 | PUC |
| 2011-12 | 20110802 | CHINA P RP | 73049000 | SEAMLESS STEEL TUBE FOR | 97.58 | 55,428 | 54,08,664 | PUC |
| 2011-12 | 20110722 | U S A | 73043911 | SECONDARY DEFECTIVE MS SEAMLESS PIPE | 96.00 | 26,855 | 25,78,060 | PUC |
| 2011-12 | 20110811 | CHINA P RP | 73043919 | CARBON STEEL SEAMLESS TUBES- ASTM333 (OD 33.4MM, WIDTH 3.5MM, LENGTH 10-11.8M) | 94.50 | 53,361 | 50,42,535 | PUC |
| 2011-12 | 20110824 | CHINA P RP | 73049000 | CARBON STEEL SEAMLESS PIPES CONFORMING TO APL 5L GR.B/ASTM A 106 GR.B | 94.00 | 51,347 | 48,26,588 | PUC |
| 2011-12 | 20110826 | CHINA P RP | 73049000 | SEAMLESS STEEL TUBE FOR | 92.88 | 60,658 | 56,33,906 | PUC |
| 2011-12 | 20110802 | CHINA P RP | 73049000 | PRIME CARBON STEEL SEAMLESS PIPES TO ASTM A 106 GR.B | 92.00 | 31,753 | 29,21,277 | PUC |
| 2011-12 | 20110809 | U S A | 73069090 | A519 COLD DRAWN SEAMLESS TUBING (SIZE: 245.618MM OD X 187.325MM ID) | 91.52 | 1,26,670 | 1,15,93,324 | PUC |

**Import Data from DGCIS [All Countries PUC]
Apr 2009 to Jun 2012**

| Year | Date | Country | ITC-HS | Item-Des | Quantity (MT) | Price (Rs./MT) | Value (Rs) | PUC/ NPUC |
|---------|----------|--------------|----------|---|---------------|----------------|-------------|--------------|
| 2011-12 | 20110802 | CHINA P RP | 73049000 | SEAMLESS STEEL TUBE FOR | 90.40 | 60,881 | 55,03,679 | PUC |
| 2011-12 | 20110802 | CHINA P RP | 73049000 | CARBON STEEL SEAMLESS PIPE (SIZE : 134*4.5*5865MM) | 90.00 | 45,919 | 41,32,669 | PUC |
| 2011-12 | 20110804 | U ARAB EMTS | 73049000 | M S PIPE | 89.00 | 22,711 | 20,21,247 | PUC |
| 2011-12 | 20110801 | CHINA P RP | 73043129 | SEAMLESS CARBON STEEL PIPES - GRADE:API SPEC 5L B PSL 1/ASTM A106 B, SIZE: 141. | 89.00 | 47,063 | 41,88,583 | PUC |
| 2011-12 | 20110727 | CHINA P RP | 73043929 | SEAMLESS STEEL CYLINDER PIPE (37MN) SIZE: 139.8MM X 4.5MM (HOT ROLLED ALLOY ST | 87.99 | 49,154 | 43,25,136 | PUC |
| 2011-12 | 20110818 | ITALY | 73049000 | COLD DRAWN SEAMLESS STEEL TUBE120,00X10,00 E355 +SR 1,00-1,00 | 87.57 | 91,039 | 79,72,421 | PUC |
| 2011-12 | 20110804 | CHINA P RP | 73045910 | BEARINGS STEEL TUBES FOR MANUFACTURING OF OR & IR RACES 6304 OR 52.70X5.90 OTH | 86.42 | 73,755 | 63,73,907 | PUC |
| 2011-12 | 20110805 | SOUTH AFRICA | 73069090 | SECONDARY DEFECTIVE MS PIPES OF MIX SIZES | 82.00 | 20,890 | 17,12,954 | PUC |
| 2011-12 | 20110729 | CHINA P RP | 73042390 | 5.5 OD 21.90 DRILL PIPE (QTY 211 JOINTS - UNIT PRICE 1782.160 USD) | 81.88 | 2,53,115 | 2,07,24,034 | PUC |
| 2011-12 | 20110827 | CHINA P RP | 73045110 | BEARING QUALITY STEEL TUBE SAE-52100 (BB1103 OR) SIZE 72.28X 60.20 MM | 81.52 | 66,012 | 53,81,255 | PUC |
| 2011-12 | 20110804 | CHINA P RP | 73049000 | CARBON STEEL SEAMLESS PIPES (SA106) | 81.12 | 91,129 | 73,92,351 | PUC |
| 2011-12 | 20110726 | U ARAB EMTS | 73049000 | LINEPIPE,CARBON STEEL ,ASTM A106/A53 , API5L GR B/ X42 PSL 1 16 SCH 40 DRL BE | 80.45 | 53,860 | 43,32,902 | PUC |
| 2011-12 | 20110822 | CHINA P RP | 73049000 | SECONDARY CARBON STEEL SEAMLESS PIPES IN MIXED SIZES | 80.00 | 26,062 | 20,84,987 | PUC |
| 2011-12 | 20110727 | CHINA P RP | 73041990 | SEAMLESS STEEL PIPES ASTM A 106-B/A53-B219X25MM | 79.00 | 35,926 | 28,38,145 | PUC |
| 2011-12 | 20110806 | CHINA P RP | 73043119 | SEAMLESS COLD DRAWN TUBES SPHERODIZED ANNEALED GRADE: SAE 52100/GCR15 SIZES 42 | 77.29 | 70,485 | 54,47,752 | PUC |
| 2011-12 | 20110624 | U S A | 73049000 | OLD AND USED CARBON STEEL SEAMLESS PIPES | 77.00 | 25,657 | 19,75,609 | PUC |
| 2011-12 | 20110809 | CHINA P RP | 73049000 | CARBON STEEL SEAMLESS PIPES AS PER ASTM A106 GR.B/API 5L GRB/A53 GR B | 77.00 | 33,490 | 25,78,723 | PUC |
| 2011-12 | 20110802 | CHINA P RP | 73049000 | CARBON STEEL SEAMLESS PIPES STOCKLOT | 77.00 | 28,054 | 21,60,128 | PUC |
| 2011-12 | 20110714 | CHINA P RP | 73049000 | C.S. PIPES (SEAMLESS) ASME SA 106 GR.B SIZE 273.1MM X 9.27MM X 4-6M | 76.85 | 42,201 | 32,43,022 | PUC |
| 2011-12 | 20110818 | U ARAB EMTS | 73049000 | SECONDARY SECOND CHOICE CARBON STEEL SEAMLESS/WELDED PIPES | 76.52 | 25,830 | 19,76,487 | PUC |
| 2011-12 | 20110811 | CHINA P RP | 73043119 | SEAMLESS CARBON STEEL PIPES (GRADE A-106/A53 B) SIZE: 168.3MM X 7.11 MM | 76.00 | 44,212 | 33,60,095 | PUC |
| 2011-12 | 20110812 | FRANCE | 73049000 | SEAMLESS STEEL TUBE FOR CYLINDERS 34CRMO4 | 75.00 | 62,438 | 46,82,861 | PUC |
| 2011-12 | 20110715 | U S A | 73043911 | SECONDHAND / USED SEAMLESS M.S PIPE | 75.00 | 26,889 | 20,16,677 | PUC |
| 2011-12 | 20110819 | OMAN | 73069090 | SECONDARY/DEFECTIVE OF M.S. PIPES | 75.00 | 20,796 | 15,59,707 | PUC |
| 2011-12 | 20110819 | CHINA P RP | 73049000 | COLD DRAWN SEAMLESS CARBON STEEL TUBES OD37.20 X ID20.50 X LG5100-5800MM (C45) | 74.00 | 55,524 | 41,08,806 | PUC |
| 2011-12 | 20110727 | U S A | 73049000 | CARBON STEEL SECONDARY DEFECTIVE SEAMLESS PIPE | 73.00 | 27,313 | 19,93,831 | PUC |
| 2011-12 | 20110810 | CHINA P RP | 73049000 | CARBON STEEL SEAMLESS PIPES ASTM A 106 GRADE B 2 X SCH160 | 73.00 | 53,880 | 39,33,243 | PUC |
| 2011-12 | 20110811 | SAUDI ARAB | 73049000 | CARBON STEEL SECONDARY SEAMLESS/WELDED PIPES MIX LOT | 72.00 | 25,423 | 18,30,443 | PUC |
| 2011-12 | 20110811 | CHINA P RP | 73049000 | CARBON STEEL SECONDARY CHOICE SEAMLESS PIPES | 72.00 | 25,361 | 18,25,973 | PUC |
| 2011-12 | 20110725 | CHINA P RP | 73049000 | SEAMLESS CARBON STEEL PIPE 76.1 X 10 X 5000MM | 71.65 | 45,611 | 32,68,184 | PUC |
| 2011-12 | 20110819 | CHINA P RP | 73049000 | COLD DRAWN SEAMLESS CARBON STEEL TUBES (33.38 X 3.38 X 4000-5800MM) ST37.4 | 70.00 | 57,392 | 40,17,445 | PUC |
| 2011-12 | 20110819 | CHINA P RP | 73049000 | CARBON STEEL SEAMLESS PIPE API SPEC 5L B PSL 1/ASTM A106 B | 70.00 | 41,887 | 29,32,107 | PUC |
| 2011-12 | 20110812 | CHINA P RP | 73049000 | SECONDARY SEAMLESS CARBON STEEL PIPES. | 70.00 | 32,424 | 22,69,657 | PUC |
| 2011-12 | 20110802 | CHINA P RP | 73043119 | SEAMLESS STEEL PIPE PART NO. 44015-P-001-2 & SIZE: 20*5.7*2865 | 69.71 | 56,012 | 39,04,537 | PUC |
| 2011-12 | 20110817 | CHINA P RP | 73041110 | SEAMLESS CARBON STEEL PIPE ,ASTM A106GR B 133X20MM(3.447MTS)140X16MM(2.868MTS) | 68.00 | 31,571 | 21,46,802 | PUC |
| 2011-12 | 20110718 | CHINA P RP | 73045110 | BEARING QUALITY STEEL TUBE SAE52100 - 35.7*4.8 | 66.65 | 73,255 | 48,82,445 | PUC |
| 2011-12 | 20110729 | CHINA P RP | 73045110 | BEARING QUALITY STEEL TUBE SAE 52100 AND SUJ-3 (TMB6203A/42IR) SIZE 24.6 X 4.1 | 66.18 | 79,423 | 52,56,061 | PUC |
| 2011-12 | 20110804 | CHINA P RP | 73049000 | SEAMLESS STEEL TUBE, BKS (60.3MM X 5.5MM X 5500MM) | 63.00 | 51,523 | 32,45,977 | PUC |
| 2011-12 | 20110819 | ROMANIA | 73049000 | SEAMLESS STEEL PIPES ASME SA 210 GR. C, OD 70.00MM X WT 4.57MM X F/L 10050MM(AS | 62.00 | 1,02,153 | 63,33,507 | PUC |
| 2011-12 | 20110728 | CHINA P RP | 73043911 | SEAMLESS CARBON STEEL TUBES (TO SPEC SA210) (OD 38.10 X 4.50 X 13800) (1642 | 61.00 | 77,695 | 47,39,386 | PUC |
| 2011-12 | 20110812 | CHINA P RP | 73041990 | HOT FINISHED SEAMLESS ALLOY STEEL PIPES 88.9 X 7.62 X 6000 M | 60.00 | 32,731 | 19,63,876 | PUC |

**Import Data from DGCIS [All Countries PUC]
Apr 2009 to Jun 2012**

| Year | Date | Country | ITC-HS | Item-Des | Quantity (MT) | Price (Rs./MT) | Value (Rs) | PUC/ NPUC |
|---------|----------|--------------|----------|---|---------------|----------------|-------------|--------------|
| 2011-12 | 20110825 | CHINA P RP | 73049000 | SECONDARY SECOND CARBON STEEL SEAMLESS/ WELDED PIPES MIXEDTHICKNESS MIXED LOT. | 60.00 | 27,840 | 16,70,410 | PUC |
| 2011-12 | 20110708 | CHINA P RP | 73042390 | HQ DRILL ROD OF 3 MTR (DTLS. AS PER INV.) (500 PCS) | 59.95 | 1,70,109 | 1,01,98,007 | PUC |
| 2011-12 | 20110821 | CHINA P RP | 73049000 | SEAMLESS STEEL TUBE FOR | 59.06 | 60,881 | 35,95,655 | PUC |
| 2011-12 | 20110805 | U ARAB EMTS | 73049000 | M S PIPE | 56.00 | 22,601 | 12,65,680 | PUC |
| 2011-12 | 20110819 | CHINA P RP | 73043129 | HYDRAULIC CYLINDER TUBE 220*200(FOR CAPTIVE CONSUMPTION) | 55.02 | 31,105 | 17,11,376 | PUC |
| 2011-12 | 20110620 | U K | 73049000 | OLD AND USED CARBON STEEL SEAMLESS PIPES | 55.00 | 44,634 | 24,54,884 | PUC |
| 2011-12 | 20110728 | U ARAB EMTS | 73049000 | SECONDARY CARBON STEEL SEAMLESS PIPE | 55.00 | 28,057 | 15,43,137 | PUC |
| 2011-12 | 20110702 | OMAN | 73042990 | OLD AND USED CARBON STEEL SEAMLESS PIPES13/06/2011)((SPCB NO. BO/RO/(HQ) / HW/ | 55.00 | 26,186 | 14,40,218 | PUC |
| 2011-12 | 20110721 | U ARAB EMTS | 73049000 | SECONDARY CARBON STEEL SEAMLESS PIPES | 55.00 | 25,809 | 14,19,485 | PUC |
| 2011-12 | 20110823 | OMAN | 73069090 | SECONDARY DEFECTIVE MS PIPES OF MIX SIZES | 55.00 | 20,725 | 11,39,890 | PUC |
| 2011-12 | 20110811 | BELGIUM | 73049000 | CARBON STEEL SECONDARY DEFECTIVE SEAMLESS PIPE | 54.00 | 27,182 | 14,67,844 | PUC |
| 2011-12 | 20110818 | U K | 73042990 | M.S. REJECTED PIPES | 54.00 | 22,497 | 12,14,849 | PUC |
| 2011-12 | 20110808 | U K | 73049000 | SECONDARY DEFECTIVE PIPES | 54.00 | 20,732 | 11,19,512 | PUC |
| 2011-12 | 20110805 | SOUTH AFRICA | 73069090 | SECONDARY-DEFECTIVE MS PIPES OF MIX SIZES | 53.00 | 20,756 | 11,00,071 | PUC |
| 2011-12 | 20110818 | CHINA P RP | 73045110 | COLD DRAWN CARBON STEEL SEAMLESS TUBES - DIN17175 ST35.8 SIZE: OD: 27MM, W.T: 3 | 52.00 | 51,192 | 26,61,974 | PUC |
| 2011-12 | 20110816 | CHINA P RP | 73049000 | COLD DRAWN SEAMLESS STEEL PIPE AS PER ASTM A106/A53/API 5L GR.B. | 52.00 | 32,779 | 17,04,509 | PUC |
| 2011-12 | 20110801 | CHINA P RP | 73049000 | CARBON STEEL SEAMLESS PIPES ASTM A 106 GR B | 52.00 | 32,297 | 16,79,425 | PUC |
| 2011-12 | 20110810 | CHINA P RP | 73043919 | CARBON STEEL SEAMLESS TUBES AS PER ASTM A106 GR B (SIZE 80X4X7000-8000 MM) | 51.89 | 48,499 | 25,16,833 | PUC |
| 2011-12 | 20110801 | SWEDEN | 73045110 | SECONDARY AND DFEECTIVE SEAMLESS STEEL TUBES (ALLOY STEEL) GRADE: 100 CR6 SIZE: | 51.36 | 33,534 | 17,22,227 | PUC |
| 2011-12 | 20110721 | CONGO P REP | 73049000 | SECONDARY DEFECTIVE CARBON STEEL SEAMLESS PIPE | 51.00 | 25,071 | 12,78,629 | PUC |
| 2011-12 | 20110811 | CHINA P RP | 73043911 | CARBON STEEL SEAMLESS PIPE273*38MM ASTM A106 GRB | 51.00 | 33,666 | 17,16,949 | PUC |
| 2011-12 | 20110811 | CHINA P RP | 73043119 | SEAMLESS TUBES ASTM A106 GR B /API 5L GR B SIZE : 219MM X 18MMX 7.2 MM | 50.67 | 37,325 | 18,91,047 | PUC |
| 2011-12 | 20110804 | ITALY | 73069090 | SEAMLESS STEEL TUBES FOR HYDRAULIC CYLINDERS (SIZE: 111.13 X 88.00 X **** MM) | 50.51 | 1,71,451 | 86,59,501 | PUC |
| 2011-12 | 20110812 | U K | 73043939 | CARBON STEEL SEAMLESS PIPES GRADE: ASTM A106/API 5LGRB SIZE: 273.1X9.27 MM X 5 | 50.00 | 41,015 | 20,50,738 | PUC |
| 2011-12 | 20110820 | U ARAB EMTS | 73049000 | M S PIPE | 50.00 | 22,430 | 11,21,483 | PUC |
| 2011-12 | 20110825 | CHINA P RP | 73049000 | CARBON STEEL SEAMLESS PIPE API 5L GR.B/ASTM A 106GR.B/ASTM A 53 GR.B | 50.00 | 31,842 | 15,92,122 | PUC |
| 2011-12 | 20110802 | CHINA P RP | 73049000 | CARBON STEEL SEAMLESS PIPE-STOCK LOT | 50.00 | 28,148 | 14,07,380 | PUC |
| 2011-12 | 20110802 | CHINA P RP | 73049000 | CARBON STEEL SEAMLESS PIPES STOCKLOT | 50.00 | 27,938 | 13,96,875 | PUC |
| 2011-12 | 20110824 | CHINA P RP | 73049000 | COLD DRAWN SEAMLESS ALLOY STEEL TUBE (38.10MM X 3.66MM X 11800MM) | 49.00 | 1,02,494 | 50,22,213 | PUC |
| 2011-12 | 20110801 | CHINA P RP | 73041190 | SEAMLESS PIPE API SPEC 5L B PSL1/ASTM A106 B 33.4MM X 3.38MM | 48.00 | 75,319 | 36,15,316 | PUC |
| 2011-12 | 20110811 | CHINA P RP | 73041190 | SEAMLESS STEEL PIPES ((OD X THK X LENGTH: 50.8 X 4.06 X 8800MM) | 48.00 | 60,464 | 29,02,278 | PUC |
| 2011-12 | 20110816 | CHINA P RP | 73043119 | CARBON STEEL SEAMLESS PIPES (165X18X5200MM) | 48.00 | 26,691 | 12,81,191 | PUC |
| 2011-12 | 20110802 | KOREA RP | 73043139 | HYDRAULIC CYLINDER TUBE (SIZE: 194 X 154 MM) (25MN) | 47.48 | 36,460 | 17,30,969 | PUC |
| 2011-12 | 20110728 | U ARAB EMTS | 73049000 | SECONDARY SECOND CHOICE CARBON STEEL SEAMLESS/WELDED PIPES | 46.00 | 25,817 | 11,87,585 | PUC |
| 2011-12 | 20110801 | CHINA P RP | 73043129 | PRIME CARBON STEEL SEAMLESS PIPES, GRADE ASTM 106 GR.B/API 5L GR.B, SIZE: 139.7 | 46.00 | 42,954 | 19,75,870 | PUC |
| 2011-12 | 20110804 | CHINA P RP | 73045110 | BEARING QUALITY STEEL TUBE SAE 52100 AND SUJ-3 (TMB6204IR)SIZE 28.5 X 4.6MM | 45.68 | 73,016 | 33,35,092 | PUC |
| 2011-12 | 20110727 | U S A | 73042990 | M.S. REJECTED PIPES | 45.00 | 24,925 | 11,21,620 | PUC |
| 2011-12 | 20110818 | CHINA P RP | 73069090 | BEARING SEAMLESS TUBES - 6301 IR (COMPOSITION-C-0.95-1.05,MN-0.25-0.45,CR-1.40- | 45.00 | 76,702 | 34,51,606 | PUC |
| 2011-12 | 20110801 | CHINA P RP | 73043911 | SEAMLESS STEEL GAS CYLIN | 45.00 | 69,550 | 31,29,736 | PUC |
| 2011-12 | 20110811 | CHINA P RP | 73045930 | CARBON STEEL AND ALLOY STEEL SEAMLESS TUBES SA 106 GR.B/API5L SIZE(MM): 60.3 X | 45.00 | 59,694 | 26,86,238 | PUC |
| 2011-12 | 20110730 | CHINA P RP | 73049000 | SEAMLESS STEEL TUBE, BKS (60.3MM X 5.5MM X 5500 MM) | 45.00 | 52,843 | 23,77,916 | PUC |

**Import Data from DGCIS [All Countries PUC]
Apr 2009 to Jun 2012**

| Year | Date | Country | ITC-HS | Item-Des | Quantity (MT) | Price (Rs./MT) | Value (Rs) | PUC/ NPUC |
|---------|----------|----------------|----------|---|---------------|----------------|------------|--------------|
| 2011-12 | 20110715 | U S A | 73049000 | CARBON STEEL SECONDARY/DEFECTIVE SEAMLESS PIPES | 44.00 | 25,036 | 11,01,570 | PUC |
| 2011-12 | 20110820 | GERMANY | 73043129 | SEAMLESS COLD DRAWN STEEL CYLINDER TUBES(220MM ODX190MM IDX3100MM L)(FOR DEFE | 43.27 | 85,024 | 36,79,036 | PUC |
| 2011-12 | 20110804 | CHINA P RP | 73049000 | PIPE SEAMLESS ASTM A790 S32205 6 SCH10S | 41.94 | 67,925 | 28,48,869 | PUC |
| 2011-12 | 20110814 | CHINA P RP | 73049000 | STEEL TUBES OF 100CR6 FOR MFG.OF BEARINGS SIZE: 55.93 X5.00MM (C-0.96, SI-0.30, | 41.49 | 87,333 | 36,23,444 | PUC |
| 2011-12 | 20110810 | CHINA P RP | 73069090 | SEAMLESS STEEL TUBES - 6002 IR - SKF3S - OD21.50MM X ID14.10MM | 41.34 | 99,235 | 41,02,756 | PUC |
| 2011-12 | 20110818 | CHINA P RP | 73045110 | BEARING QUALITY STEEL TUBE SAE-52100 (BB1103 OR) SIZE 72.28X 60.20 MM | 41.13 | 64,796 | 26,65,193 | PUC |
| 2011-12 | 20110803 | CHINA P RP | 73045110 | BEARING QUALITY STEEL TUBE SAE-52100 (NUP208E LIPINNER) SIZE 53.98 X 39.69 MM | 41.10 | 72,733 | 29,89,263 | PUC |
| 2011-12 | 20110809 | KUWAIT | 73069090 | SECONDARY & DEFECTIVE M.S.PIPES | 41.00 | 23,262 | 9,53,722 | PUC |
| 2011-12 | 20110804 | CHINA P RP | 73049000 | SEAMLESS STEEL PIPES ST52 BK (34X3.9X4100MM / 34X3.9X5000MM) | 41.00 | 52,871 | 21,67,712 | PUC |
| 2011-12 | 20110824 | CHINA P RP | 73041910 | COLD DRAWN SEAMLESS STEE | 41.00 | 52,453 | 21,50,558 | PUC |
| 2011-12 | 20110818 | CHINA P RP | 73045110 | BEARING QUALITY STEEL TUBE SAE-52100 (6905 OR) SIZE 42.25 X36.57 MM | 40.69 | 63,747 | 25,93,565 | PUC |
| 2011-12 | 20110820 | SPAIN | 98010013 | SEAMLESS CARBON STEEL TUBES (TO SPEC SA179) (S37/25/2010/GR6) (35937.50 MTRS@E | 39.00 | 1,45,237 | 56,64,234 | PUC |
| 2011-12 | 20110729 | JAPAN | 73049000 | BEARING QUALITY STEEL TUBES SAE52100 OD62.90MM X WT4.85MM | 38.93 | 98,512 | 38,34,993 | PUC |
| 2011-12 | 20110729 | KOREA RP | 73049000 | SEAMLESS STEEL PIPES C-45 (21.4*2.5*5100-5800MM) | 38.00 | 65,301 | 24,81,451 | PUC |
| 2011-12 | 20110801 | U S A | 73043129 | SEAMLESS CARBON STEEL PIPES GRADE: API SPEC 5L B PSL 1/ASTMA106 B SIZE: 219.1MM | 36.00 | 52,130 | 18,76,671 | PUC |
| 2011-12 | 20110801 | SPAIN | 73043119 | COLD DRAWN SEAMLESS CARBON STEEL TUBES ST 37.4 SIZE : 30.0 X2.5X 10000-12000MM) | 35.75 | 64,437 | 23,03,618 | PUC |
| 2011-12 | 20110823 | U S A | 73043911 | PIPES - ALLOY STEEL SEAMLESS PIPES (SA106) | 32.21 | 1,94,974 | 62,79,139 | PUC |
| 2011-12 | 20110727 | CHINA P RP | 73043929 | SEAMLESS STEEL CYLINDER PIPE (37MN) SIZE: 139.8MM X 4.5MM (HOT ROLLED ALLOY ST | 32.04 | 49,154 | 15,75,089 | PUC |
| 2011-12 | 20110829 | ITALY | 73069090 | PIPE B-36.10 ASTM A 335 GR P5 BE SEAMLESS 10.0 INCH XS | 31.89 | 66,160 | 21,09,739 | PUC |
| 2011-12 | 20110806 | CHINA P RP | 73049000 | 218.00X***X15.65MM SEAMLESS COLD DRAWN TUBESFOR HYDRAULIC CYLINDERS | 31.25 | 95,498 | 29,84,286 | PUC |
| 2011-12 | 20110804 | CHINA P RP | 73043129 | NON ALLOY STEEL SEAMLESS PIPES API 5L GRADE B 219.1MMX15.09MM | 31.00 | 43,809 | 13,58,091 | PUC |
| 2011-12 | 20110803 | CHINA P RP | 73045920 | SEAMLESS CARBON STEEL PIPES TO SPEC SA106 (OD 127.00 X 25.00 X 3725)(484.250 | 30.00 | 56,738 | 17,02,139 | PUC |
| 2011-12 | 20110801 | U S A | 73043139 | SEAMLESS CARBON STEEL PIPES GRADE: API SPEC 5L B PSL 1/ASTMA106 B SIZE: 273.1MM | 28.00 | 41,856 | 11,71,962 | PUC |
| 2011-12 | 20110801 | CHINA P RP | 73061921 | SEAMLESS STEEL TUBE.38OD X 5 | 27.83 | 22,637 | 6,30,017 | PUC |
| 2011-12 | 20110823 | OMAN | 73069090 | SECONDARY DEFECTIVE M.S.PIPES OF MIX SIZES | 27.00 | 20,970 | 5,66,202 | PUC |
| 2011-12 | 20110819 | CHINA P RP | 73049000 | SEAMLESS STEEL BOOM BRACING TUBE SIZE: 83*6*8.85M (433.65 METERS) | 27.00 | 84,801 | 22,89,624 | PUC |
| 2011-12 | 20110726 | CHINA P RP | 73043119 | NON ALLOY STEEL SEAMLESS PIPES API 5L GRADE B 101.6MMX8.08MM | 27.00 | 51,453 | 13,89,244 | PUC |
| 2011-12 | 20110720 | CHINA P RP | 73045110 | COLD CARBON STEEL SEAMLESS TUBE - SIZE : OD/MM - 33.4, WALLTHK/MM MIN - 3.38, L | 27.00 | 47,757 | 12,89,447 | PUC |
| 2011-12 | 20110614 | U K | 73049000 | OLD AND USED CARBON STEEL SEAMLESS PIPES | 26.00 | 25,812 | 6,71,114 | PUC |
| 2011-12 | 20110820 | MALAYSIA | 73049000 | CARBON STEEL SECONDARY DEFECTIVE SEAMLESS PIPE | 26.00 | 25,532 | 6,63,835 | PUC |
| 2011-12 | 20110810 | CHINA P RP | 73045110 | COLD DRAWN CARBON STEEL SEAMLESS TUBES ASTM106/API 5LGR.B - SIZE: 60.3 X 2.85 | 26.00 | 50,049 | 13,01,263 | PUC |
| 2011-12 | 20110818 | CHINA P RP | 73045110 | COLD DRAWN CARBON STEEL SEAMLESS TUBES (FULLY KILLED) DIN17175 ST35.8 - SIZE: O | 26.00 | 49,534 | 12,87,880 | PUC |
| 2011-12 | 20110823 | CHINA P RP | 73049000 | CARBON STEEL SEAMLESS PIPES ASTM A 106 GRADE B | 26.00 | 31,243 | 8,12,309 | PUC |
| 2011-12 | 20110728 | U ARAB EMTS | 73049000 | OLD AND USED CARBON STEEL SEAMLESS / WELDED PIPES | 25.98 | 25,767 | 6,69,418 | PUC |
| 2011-12 | 20110801 | CHINA P RP | 73041910 | COLD DRAWN SEAMLESS STEE | 25.72 | 58,937 | 15,15,858 | PUC |
| 2011-12 | 20110824 | CHINA P RP | 73041910 | COLD DRAWN SEAMLESS STEE | 25.66 | 59,071 | 15,15,519 | PUC |
| 2011-12 | 20110809 | CZECH REPUBLIC | 73041990 | OILWELL EQUIPMENT : PIPE CS SMLS. 24 SCH 80 .API 5L/A106/A53 GRB/X42.6 MTR/SRL | 25.64 | 1,37,536 | 35,25,885 | PUC |
| 2011-12 | 20110824 | CHINA P RP | 73043929 | SKIVED AND BURNISHED TUBE 114X100X5220MM(FOR CAPTIVE CONSUMPTION) | 25.48 | 75,135 | 19,14,497 | PUC |
| 2011-12 | 20110818 | ROMANIA | 73049000 | CARBON STEEL SEAMLESS TUBES (SA 210) | 25.26 | 69,102 | 17,45,598 | PUC |
| 2011-12 | 20110811 | U ARAB EMTS | 73049000 | SECONDARY SECOND CHOICE CARBON STEEL SEAMLESS/WELDED PIPES | 25.19 | 25,540 | 6,43,343 | PUC |
| 2011-12 | 20110818 | JAPAN | 73049000 | SEAMLESS STEEL TUBE BK LENGTH 5 TO 5.8 MTS (RO) 30MMX6.8MMX5000-5800 MM | 25.00 | 52,647 | 13,16,164 | PUC |

**Import Data from DGCIS [All Countries PUC]
Apr 2009 to Jun 2012**

| Year | Date | Country | ITC-HS | Item-Des | Quantity (MT) | Price (Rs./MT) | Value (Rs) | PUC/ NPUC |
|---------|----------|----------------|----------|---|---------------|----------------|------------|--------------|
| 2011-12 | 20110808 | NEW ZEALAND | 73049000 | CARBON STEEL SEAMLESS PIPES A106 GR B | 25.00 | 39,796 | 9,94,888 | PUC |
| 2011-12 | 20110801 | JAPAN | 73049000 | SECONDARY SEAMLESS CARBON STEEL PIPES | 25.00 | 36,209 | 9,05,216 | PUC |
| 2011-12 | 20110801 | ITALY | 73049000 | SECONDARY SEAMLESS CARBON STEEL PIPES | 25.00 | 36,196 | 9,04,894 | PUC |
| 2011-12 | 20110816 | U ARAB EMTS | 73069090 | SECONDARY DEFECTIVE UNUSED PARTIALLY RUSTED PIPES OF VARIOUS SIZES & LENGTHS | 25.00 | 26,720 | 6,68,008 | PUC |
| 2011-12 | 20110823 | MALAYSIA | 73049000 | CARBON STEEL SECONDARY DEFECTIVE SEAMLESS PIPE | 25.00 | 25,880 | 6,46,994 | PUC |
| 2011-12 | 20110728 | U ARAB EMTS | 73049000 | M S PIPE | 25.00 | 22,997 | 5,74,918 | PUC |
| 2011-12 | 20110809 | CHINA P RP | 73041910 | SEAMLESS PIPE ASTM A106/A53/API 5L GR.B 1 SCH40 5.5.8 | 25.00 | 49,962 | 12,49,048 | PUC |
| 2011-12 | 20110801 | CHINA P RP | 73041910 | SEAMLESS CARBON STEEL PIPE SIZE 88.9MMX7.62MM X5.8M | 25.00 | 44,253 | 11,06,325 | PUC |
| 2011-12 | 20110808 | CHINA P RP | 73049000 | CARBON STEEL SEAMLESS PIPES AS PER ASTM A106 GR.B/API 5L/A53GR.B | 25.00 | 43,871 | 10,96,775 | PUC |
| 2011-12 | 20110720 | CHINA P RP | 73043119 | MS SEAMLESS TUBE/SEAMLESS PIPES AS PER ASTM A106/API5L GR.B60.3X5.54X5800MM | 25.00 | 37,521 | 9,38,035 | PUC |
| 2011-12 | 20110809 | CHINA P RP | 73049000 | CARBON STEEL SEAMLESS PIPES ASTM A 106-B | 25.00 | 35,910 | 8,97,740 | PUC |
| 2011-12 | 20110802 | CHINA P RP | 73049000 | CARBON STEEL SEAMLESS PIPE-STOCK LOT | 25.00 | 27,938 | 6,98,438 | PUC |
| 2011-12 | 20110822 | CHINA P RP | 73049000 | SEAMLESS CARBON STEEL PIPE 26.9 X 2.3 X 5000MM | 24.92 | 52,173 | 13,00,143 | PUC |
| 2011-12 | 20110722 | SWITZERLAND | 73049000 | SEMI PROFILE KBK II (LAUFBAHNHALFTE KBK II) (918 MTR) | 24.53 | 75,032 | 18,40,534 | PUC |
| 2011-12 | 20110804 | CHINA P RP | 73049000 | SQUARE STEEL TUBE (50 X 5) API5L GRADE 20 | 24.18 | 62,712 | 15,16,312 | PUC |
| 2011-12 | 20110823 | MALAYSIA | 73049000 | CARBON STEEL SECONDARY DEFECTIVE SEAMLESS PIPE | 24.00 | 26,272 | 6,30,524 | PUC |
| 2011-12 | 20110818 | ANGOLA | 73069090 | SECONDARY & DEFECTIVE MS PIPES | 24.00 | 22,095 | 5,30,269 | PUC |
| 2011-12 | 20110729 | CHINA P RP | 73049000 | CARBON STEEL SEAMLESS TUBES SA179 | 24.00 | 61,107 | 14,66,567 | PUC |
| 2011-12 | 20110824 | CHINA P RP | 73041910 | COLD DRAWN SEAMLESS STEE | 24.00 | 58,790 | 14,10,967 | PUC |
| 2011-12 | 20110816 | CHINA P RP | 73042990 | CARBON STEEL SEAMLESS HEAT EXCHANGER TUBE AS PER ASTM A179 | 23.29 | 69,109 | 16,09,200 | PUC |
| 2011-12 | 20110817 | CZECH REPUBLIC | 98010013 | 98010013 SEAMLESS PIPES(C/S)TO SPEC.SA106(S37/26/10) | 23.00 | 1,17,470 | 27,01,819 | PUC |
| 2011-12 | 20110812 | CHINA P RP | 73049000 | CARBON STEEL SEAMLESS PIPES API SPEC 5L B PSL1/ ASTM A 106B - 219.1 MM X 18.26 | 23.00 | 43,693 | 10,04,943 | PUC |
| 2011-12 | 20110811 | CHINA P RP | 73049000 | CARBON STEEL SEAMLESS PIPES CONFIRMING TO ASTM A 106 GR.B | 23.00 | 31,402 | 7,22,252 | PUC |
| 2011-12 | 20110727 | CHINA P RP | 73049000 | SEAMLESS CARBON STEEL PIPES | 23.00 | 31,223 | 7,18,136 | PUC |
| 2011-12 | 20110801 | ITALY | 73049000 | CARBON STEEL SEAMLESS TUBES (SA 210) | 22.69 | 70,192 | 15,92,873 | PUC |
| 2011-12 | 20110822 | ITALY | 73049000 | 230.00X182.50X***MM SEAMLESS COLD DRAWN TUBES FORHYDRAULIC CYLINDERS (PARTS FOR | 22.24 | 99,804 | 22,19,181 | PUC |
| 2011-12 | 20110818 | CHINA P RP | 73069090 | HYDRAULIC CYLINDER TUBE (170*150) | 22.14 | 63,554 | 14,07,337 | PUC |
| 2011-12 | 20110819 | SPAIN | 98010013 | CARBON STEEL TUBES TO SPEC SA210 ((S37/25/2010/GR6)(449.550MTRS@EURO 14.02/MTR) | 22.00 | 1,08,284 | 23,82,240 | PUC |
| 2011-12 | 20110818 | U S A | 73049000 | CARBON STEEL SECONDARY DEFECTIVE SEAMLESS PIPE | 22.00 | 26,411 | 5,81,032 | PUC |
| 2011-12 | 20110727 | U S A | 73049000 | OLD AND USED CARBON STEEL SEAMLESS PIPES | 22.00 | 25,615 | 5,63,534 | PUC |
| 2011-12 | 20110819 | U ARAB EMTS | 73049000 | M. S. SECONDARY SECOND CHOICE SEAMLESS PIPE | 22.00 | 24,869 | 5,47,112 | PUC |
| 2011-12 | 20110802 | CONGO P REP | 73049000 | SECONDARY DEFECTIVE CARBON STEEL SEAMLESS PIPE | 22.00 | 24,495 | 5,38,880 | PUC |
| 2011-12 | 20110804 | CHINA P RP | 73043119 | NON ALLOY STEEL SEAMLESS PIPES API 5L GRADE B 88.9MMX7.62MM | 22.00 | 53,294 | 11,72,472 | PUC |
| 2011-12 | 20110826 | CHINA P RP | 73041990 | BEARING QUALITY STEEL TUBE 28*5.0 (7 BUNDLES) GRADE GCR15 | 21.81 | 73,237 | 15,97,598 | PUC |
| 2011-12 | 20110817 | U S A | 73049000 | SECONDARY / DEFECTIVE M.S. PIPES OF VARIOUS SIZES & THICKNESS | 21.68 | 25,256 | 5,47,590 | PUC |
| 2011-12 | 20110822 | CHINA P RP | 73049000 | STEEL TUBES 47.55 OD X36.95 ID | 21.58 | 1,11,750 | 24,11,900 | PUC |
| 2011-12 | 20110721 | CHINA P RP | 73043119 | SAE52100 SEAMLESS PIPE 46.50 X 5.00 (COLD DRAWN STEEL COMPOSITION C=0.99%, SI = | 21.31 | 73,387 | 15,64,168 | PUC |
| 2011-12 | 20110816 | CHINA P RP | 73045110 | SEAMLESS STEEL TUBE-GRADE-SAF 52100/GCR15-DIA-39.0X52.0X6.5MM | 21.17 | 72,809 | 15,41,660 | PUC |
| 2011-12 | 20110726 | U ARAB EMTS | 73049000 | STOCKLOT SEAMLESS IRON PIPES (PSIC NO NODL-1506 DT.06/07/2011)(GPCB/HAZ/R/KUTCH | 21.00 | 32,561 | 6,83,782 | PUC |
| 2011-12 | 20110802 | CHINA P RP | 73049000 | PRIME CARBON STEEL SEAMLESS PIPE (SIZE 140X18X4860MM) | 21.00 | 47,721 | 10,02,131 | PUC |
| 2011-12 | 20110801 | CHINA P RP | 73049000 | PRIME CARBON STEEL SEAMLESS PIPES, GRADE ASTM A 106 GR.B, SIZE : 76.1 X 10MM X | 21.00 | 44,294 | 9,30,167 | PUC |

**Import Data from DGCIS [All Countries PUC]
Apr 2009 to Jun 2012**

| Year | Date | Country | ITC-HS | Item-Des | Quantity (MT) | Price (Rs./MT) | Value (Rs) | PUC/ NPUC |
|---------|----------|-------------|----------|---|---------------|----------------|------------|--------------|
| 2011-12 | 20110723 | CHINA P RP | 73045930 | SEAMLESS STEEL TUBES - 200 X 225 | 20.84 | 80,337 | 16,74,089 | PUC |
| 2011-12 | 20110823 | CHINA P RP | 73043139 | HONED TUBE (OD 73 X ID 63) | 20.70 | 70,036 | 14,49,829 | PUC |
| 2011-12 | 20110804 | ITALY | 73069090 | SEAMLESS STEEL TUBES FOR HYDRAULIC CYLINDERS (SIZE: 270.00X15.00MM) | 20.67 | 1,25,696 | 25,97,573 | PUC |
| 2011-12 | 20110802 | CHINA P RP | 73049000 | COLD DRAWN SEAMLESS PIN STEEL TUBE SCM415H OD12.30MM X ID 8.00MM | 20.54 | 1,26,217 | 25,92,868 | PUC |
| 2011-12 | 20110728 | CHINA P RP | 73041990 | BEARING QUALITY STEEL TUBE 28.0*5.0 (4 BUNDLES), GRADE - GCR15 | 20.25 | 74,361 | 15,06,110 | PUC |
| 2011-12 | 20110729 | JAPAN | 73041990 | HOT FINISHED SEAMLESS ALLOY STEEL AND CARBON STEEL PIPES ASME SA100 GR.B 457. | 20.00 | 1,03,919 | 20,78,379 | PUC |
| 2011-12 | 20110803 | U ARAB EMTS | 73043911 | SEAMLESS CARBON STEEL PIPES (OD 48.30 X 3.68 X 6500) (5005.00MTR@ 6.07 PER/MTR | 20.00 | 67,931 | 13,58,613 | PUC |
| 2011-12 | 20110819 | SWEDEN | 73045120 | KANTHAL APM TUBE 178/162X1700 OPEN BOTH ENDS 802676 (APM STEEL TUBE FOR FURNACE | 20.00 | 40,507 | 8,10,143 | PUC |
| 2011-12 | 20110801 | CHINA P RP | 73042390 | CARBON STEEL SEAMLESS PI | 20.00 | 54,614 | 10,92,275 | PUC |
| 2011-12 | 20110826 | CHINA P RP | 73049000 | SEAMLESS STEEL TUBES, BK LENGTH 5-5.8 MTR(20) 30.00 MM X 6.80 X 5000-5800 MM | 20.00 | 51,705 | 10,34,106 | PUC |
| 2011-12 | 20110817 | CHINA P RP | 73049000 | CARBON STEEL PIPES OD (MM) 26.7 WT (MM) 3.91 LENGTH (M) 5-5.8 | 20.00 | 49,581 | 9,91,618 | PUC |
| 2011-12 | 20110808 | CHINA P RP | 73049000 | ALLOY STEEL SEAMLESS TUBE 20 CR (26X15.9 OD X ID -MM) | 19.49 | 71,670 | 13,96,697 | PUC |
| 2011-12 | 20110805 | ITALY | 73049000 | SECONDARY CARBON STEEL SEAMLESS PIPES MIX SIZES PIPES MIX THICKNESS - MIX LOT | 19.00 | 26,891 | 5,10,921 | PUC |
| 2011-12 | 20110827 | U K | 73061929 | SEAMLESS USED PIPES | 19.00 | 22,857 | 4,34,287 | PUC |
| 2011-12 | 20110812 | JAPAN | 73049000 | SEAMLESS ALLOY STEEL TUBES JIS G3441 SCM415TK 36.70MM OD X 28.10MM ID X 5M | 18.92 | 1,49,425 | 28,27,561 | PUC |
| 2011-12 | 20110804 | U S A | 73043129 | HP TUBES 2.4 X 6 ST 52 - INJECTURE HAUTE PRESSION (10656 MTR) 1776 PCS | 18.82 | 64,464 | 12,13,271 | PUC |
| 2011-12 | 20110819 | U S A | 73049000 | SECONDARY SECOND CHOICE CARBON STEEL SEAMLESS/WELDED PIPES | 18.35 | 25,255 | 4,63,514 | PUC |
| 2011-12 | 20110801 | CHINA P RP | 73049000 | STEEL TUBES OF 100CR6 FOR MFG.OF BEARINGS SIZE:62.85 X 5.40MM (C-0.97,SI-0.30, | 18.32 | 86,584 | 15,86,563 | PUC |
| 2011-12 | 20110822 | JAPAN | 73049000 | BEARING QUALITY STEEL TUBES SAE52100 OD57.90MM X WT6.55MM | 18.20 | 1,06,733 | 19,42,217 | PUC |
| 2011-12 | 20110804 | JAPAN | 73049000 | COLD DRAWN SEAMLESS TUBE (PIN STEEL) ITEM NO. RGPS02017.15(+/-0.08/-0)X12.0(+/-0. | 17.66 | 2,84,128 | 50,16,846 | PUC |
| 2011-12 | 20110725 | MALAYSIA | 73049000 | CARBON STEEL SECONDARY DEFECTIVE SEAMLESS PIPE | 17.00 | 26,045 | 4,42,757 | PUC |
| 2011-12 | 20110804 | JAPAN | 73049000 | COLD DRAWN SEAMLESS TUBE (PIN STEEL) ITEM NO.RGPS044 18.15(+/-0.08/-0)X11.0(+ | 16.87 | 2,77,061 | 46,74,856 | PUC |
| 2011-12 | 20110806 | CHINA P RP | 73043129 | SEAMLESS CARBON STEEL PIPES - GRADE:API SPEC 5L B PSL 1/ASTM A106 B, SIZE: 219. | 16.00 | 67,750 | 10,83,993 | PUC |
| 2011-12 | 20110826 | CHINA P RP | 73045120 | COLD DRAWN READY TO HONE PRECISION TUBE (180X210X5000MM) | 15.44 | 35,829 | 5,53,283 | PUC |
| 2011-12 | 20110817 | GERMANY | 73043929 | SEAMLESS STEEL PIPE (115X99.50X6.00 MM) | 15.00 | 67,927 | 10,18,901 | PUC |
| 2011-12 | 20110811 | U ARAB EMTS | 73049000 | CARBON STEEL SECONDARY SEAMLESS PIPE MIX SIZES MIX THICKNESS MIX LOT | 15.00 | 27,285 | 4,09,273 | PUC |
| 2011-12 | 20110721 | CHINA P RP | 73043119 | SEAMLESS COLD DRAWN HONED TUBE ID:125MMXOD:140MM | 15.00 | 74,563 | 11,18,452 | PUC |
| 2011-12 | 20110728 | CHINA P RP | 73041910 | [CARBON SEAMLESS STEEL PIPE ASTM A 106 GR.B/API 5L GR B][102X6] | 15.00 | 53,195 | 7,97,919 | PUC |
| 2011-12 | 20110811 | CHINA P RP | 73042390 | DRILL PIPE 6-5/8 SPIRAL THICK WALL (15 PCS) (ESSENTIAL CERTIFICATE NO.ECIN20110 | 14.32 | 2,89,094 | 41,39,831 | PUC |
| 2011-12 | 20110815 | ITALY | 73069090 | COLD DRAWN SMLS CYLINDER TUBES E355-SR EN 10305/1 INSIDE H8(SIZE: MM185X12.5) | 14.15 | 53,238 | 7,53,305 | PUC |
| 2011-12 | 20110804 | JAPAN | 73041990 | PIPE APL 5L GRX65 SMLS 25.40MM THK SIZE 10X12 MTR (4 PCS) | 13.03 | 2,26,927 | 29,57,773 | PUC |
| 2011-12 | 20110802 | CHINA P RP | 73041190 | SEAMLESS STEEL TUBES ST20.30MM X 8.102M SCM415H | 12.65 | 1,24,266 | 15,72,089 | PUC |
| 2011-12 | 20110819 | CHINA P RP | 73045920 | HOT FINISHED CARBON STEEL SEAMLESS MOTHER PIPES [140 MM X19.05 MM X 9.885 M X | 12.00 | 52,781 | 6,33,376 | PUC |
| 2011-12 | 20110819 | CHINA P RP | 73045920 | HOT FINISHED CARBON STEEL SEAMLESS MOTHER PIPES [73.02MMX 5.16 MM X 3.375M X | 12.00 | 52,475 | 6,29,698 | PUC |
| 2011-12 | 20110728 | CHINA P RP | 73045110 | 4 MM 0.5MM SINGLE SIDE ZINC COATED STEEL TUBE | 11.59 | 92,328 | 10,70,140 | PUC |
| 2011-12 | 20110810 | NETHERLAND | 73043929 | COLD DRAWN STEEL TUBE (134.5X9.75 MM) | 11.00 | 73,730 | 8,11,029 | PUC |
| 2011-12 | 20110812 | CHINA P RP | 73041910 | SEAMLESS CARBON STEEL PIPES ASTM A 106 GRADE B SIZE 12 X SCH 20X5.7 MTRS | 11.00 | 48,019 | 5,28,204 | PUC |
| 2011-12 | 20110812 | CHINA P RP | 73041910 | SEAMLESS CARBON STEEL PIPES ASTM A 106 GRADE -B SIZE 16 ZSCH20X5-7 MTRS | 11.00 | 47,882 | 5,26,703 | PUC |
| 2011-12 | 20110811 | ITALY | 73041110 | PIPE ROUND PIPE QUALTY S 355 J2H DIAM.70X12 10 PIECES PER LENGHT 5.9 MTR(PART | 10.82 | 91,763 | 9,92,871 | PUC |
| 2011-12 | 20110818 | BRAZIL | 73069090 | STEEL TUBE :4.76 X 0.71 X 3900MM ZNPA(DA4NYZN2390010) | 10.64 | 3,17,566 | 33,78,900 | PUC |
| 2011-12 | 20110806 | CHINA P RP | 73049000 | 253.00X***X16.00MM SEAMLESS COLD DRAWN TUBES FORHYDRAULIC CYLINDERS | 10.01 | 1,19,168 | 11,92,840 | PUC |

**Import Data from DGCIS [All Countries PUC]
Apr 2009 to Jun 2012**

| Year | Date | Country | ITC-HS | Item-Des | Quantity (MT) | Price (Rs./MT) | Value (Rs) | PUC/ NPUC |
|---------|----------|------------|----------|---|---------------|----------------|------------|--------------|
| 2011-12 | 20110722 | BELGIUM | 73049000 | SECONDARY SECOND CHOICE SEAMLESS PIPES | 10.00 | 2,91,533 | 29,15,326 | PUC |
| 2011-12 | 20110810 | NETHERLAND | 73043119 | COLD DRAWN STEEL TUBE (105.50X7.75 MM) | 10.00 | 71,724 | 7,17,243 | PUC |
| 2011-12 | 20110812 | CHINA P RP | 73041910 | SEAMLESS CARBON STEEL PIPES ASTM A 106 GARDEB SIZE : 10 X SCH 20 5-7 MTRS | 10.00 | 50,433 | 5,04,330 | PUC |
| 2011-12 | 20110812 | CHINA P RP | 73041910 | SEAMLESS CARBON STEEL PIPES ASTM A 106 GRADE B SIZE : 16 X SCH40 | 10.00 | 49,619 | 4,96,191 | PUC |
| 2011-12 | 20110808 | CHINA P RP | 73043129 | HYDRAULIC CYLINDER TUBE(SIZE: 140X125MM) | 9.98 | 99,260 | 9,90,406 | PUC |
| 2011-12 | 20110807 | SAUDI ARAB | 73069090 | SEAMLESS STEEL TUBES - 6203 IR - SKF3S - OD25.30MM X ID16.10MM | 9.41 | 1,01,756 | 9,57,317 | PUC |
| 2011-12 | 20110802 | CHINA P RP | 73049000 | SEAMLESS STEEL TUBE FOR | 9.40 | 55,428 | 5,21,023 | PUC |
| 2011-12 | 20110816 | CHINA P RP | 73043919 | CARBON STEEL SEAMLESS TUBE AS PER ASTM A179 (SIZE 30X3X10000-11800 MM) | 8.38 | 51,630 | 4,32,560 | PUC |
| 2011-12 | 20110726 | CHINA P RP | 73043139 | SEAMLESS STEEL PIPE - ASME SA209 GR.T1 - SPECIFICATION : OD*WT 298.5*11*950MM [| 8.07 | 62,035 | 5,00,500 | PUC |
| 2011-12 | 20110827 | CHINA P RP | 73043919 | CARBON STEEL SEAMLESS TUBES TO ASTM A179 (SIZE 27MM X 2.6MMX 10.5-11.8M) | 8.00 | 49,163 | 3,93,303 | PUC |
| 2011-12 | 20110804 | CHINA P RP | 73049000 | SEAMLESS STEEL TUBE, BKS (60.3MM X 5.5MM X 5500MM) | 8.00 | 49,125 | 3,93,000 | PUC |
| 2011-12 | 20110804 | CHINA P RP | 73049000 | SEAMLESS STEEL PIPES ST52 BK (34X3.9X4100MM / 34X3.9X5000MM) | 8.00 | 48,841 | 3,90,726 | PUC |
| 2011-12 | 20110823 | CHINA P RP | 73049000 | CARBON STEEL SEAMLESS PIPES ASTM A106/ ASTM A 53 GRADE-B | 8.00 | 45,980 | 3,67,836 | PUC |
| 2011-12 | 20110803 | CHINA P RP | 73049000 | COLD DRAWN SEAMLESS PIN STEEL TUBE SCM415H OD12.30MM X ID 8.00MM | 7.98 | 1,27,223 | 10,15,491 | PUC |
| 2011-12 | 20110727 | CHINA P RP | 73043119 | COLD DRAWN SEAMLESS STEEL TUBES AS PER DIN STD 2391 32MM OD X 23MM ID | 7.00 | 65,997 | 4,61,982 | PUC |
| 2011-12 | 20110823 | CHINA P RP | 73049000 | CARBON STEEL SEAMLESS PIPES ASTM A106/ ASTM A 53 GRADE-B | 7.00 | 48,317 | 3,38,220 | PUC |
| 2011-12 | 20110816 | CHINA P RP | 73041110 | SEAMLESS STEEL LINE PIPE SIZE: 193.70MM X 8.450MM X 11,800MM (128 BDL = 635 PIE | 7.00 | 43,111 | 3,01,779 | PUC |
| 2011-12 | 20110803 | CHINA P RP | 73045110 | BEARINGS QUALITY STEEL TUBE SAE52100 : (SIZE:55.7*7.1) | 6.94 | 65,709 | 4,55,692 | PUC |
| 2011-12 | 20110819 | JAPAN | 73045110 | BEARING QUALITY STEEL TUBE SAE52100: (SIZE:42.6*6.25) | 6.86 | 65,709 | 4,50,763 | PUC |
| 2011-12 | 20110824 | JAPAN | 73049000 | PIPES - CARBON STEEL SEAMLESS PIPES (SA 106) SIZE: 60.3MM OD X 11.07MM WT X 60 | 6.85 | 1,10,841 | 7,59,375 | PUC |
| 2011-12 | 20110730 | NETHERLAND | 73049000 | SEAMLESS PIPE : 76X7MM ; LENGHT 3M | 6.50 | 42,770 | 2,78,005 | PUC |
| 2011-12 | 20110826 | CHINA P RP | 73045110 | COLD DRAWN READY TO HONE PRECISION TUBE (45X55X5000MM) | 6.17 | 92,602 | 5,71,125 | PUC |
| 2011-12 | 20110830 | AUSTRALIA | 73069090 | SECONDARY & DEFECTIVE ERW PIPESDT.03.06.11. | 6.00 | 21,471 | 1,28,828 | PUC |
| 2011-12 | 20110812 | CHINA P RP | 73041910 | SEAMLESS CARBON STEEL PIPES ASTM A 106 GRADE B SIZE: 14 X SCH20X5-7 MTRS | 6.00 | 50,269 | 3,01,616 | PUC |
| 2011-12 | 20110808 | CHINA P RP | 73043119 | HYDRAULIC CYLINDER TUBE(SIZE: 76X63 MM) | 5.63 | 80,912 | 4,55,379 | PUC |
| 2011-12 | 20110830 | MYANMAR | 73069090 | CARBON STEEL PIPE 9 X 0.6 X 2200 MM | 5.47 | 1,47,618 | 8,07,590 | PUC |
| 2011-12 | 20110812 | CHINA P RP | 73045110 | BEARING QUALITY STEEL TUBE SAE52100: (SIZE : 55.7*7.1) | 5.37 | 65,709 | 3,52,660 | PUC |
| 2011-12 | 20110728 | CHINA P RP | 73045110 | BEARING QUALITY STEEL TUBE SAE52100 : (SIZE- 55.7*7.1) | 5.27 | 66,885 | 3,52,684 | PUC |
| 2011-12 | 20110801 | CHINA P RP | 73043129 | ALLOY STEEL SEAMLESS COLD DRAWN NORMALISED AND TEMPERED PIPES SIZE : 33.4 OD X | 5.21 | 78,752 | 4,10,143 | PUC |
| 2011-12 | 20110808 | ARGENTINA | 73043911 | CS SEAMLESS TUBULAR (GRADE - X52-L360/6) SIZE:8 (45.52 MTRS) | 5.07 | 1,43,550 | 7,27,080 | PUC |
| 2011-12 | 20110819 | JAPAN | 73049000 | HOT FINISHED SEAMLESS ALLOY STEEL PIPES[273.1X18.25X6000-7000] | 4.70 | 2,25,170 | 10,59,279 | PUC |
| 2011-12 | 20110801 | SPAIN | 73043119 | COLD DRAWN SEAMLESS CARBON STEEL TUBES ST 37.4 SIZE : 30.0 X2.5X 10000-12000MM) | 4.20 | 48,946 | 2,05,575 | PUC |
| 2011-12 | 20110801 | CHINA P RP | 73042990 | ST52(BK+S) FORGED HONED AND MACHINED TUBES 4851DX1290L (TOTAL QTY: 4PCS, USD: 2 | 4.13 | 1,74,128 | 7,19,670 | PUC |
| 2011-12 | 20110805 | THAILAND | 73069090 | CARBON STEEL PIPE 9X0.6X2200MM | 4.10 | 1,48,028 | 6,07,374 | PUC |
| 2011-12 | 20110819 | JAPAN | 73041910 | C.R ALLOY STEEL TUBE FOR BEARING - SUJ2Z JC - OD 60.70MM XWT 9.95MM | 4.00 | 1,26,005 | 5,04,020 | PUC |
| 2011-12 | 20110811 | GERMANY | 73049000 | TUBES (HEAT EXCHANGER SEAMLESS COLD DRAWN TUBES- SA 179) SIZE: 19.050 X 2.110M | 3.31 | 1,53,892 | 5,09,420 | PUC |
| 2011-12 | 20110811 | ITALY | 73069090 | BEARING SEAMLESS STEEL TUBES - 19.53 X 2.65 X 5900-6200 MM | 2.97 | 91,656 | 2,72,401 | PUC |
| 2011-12 | 20110811 | CHINA P RP | 73043919 | CARBON STEEL SEAMLESS TUBES- ASTM333 (OD 33.4MM, WIDTH 3.5MM, LENGTH 10-11.8M) | 2.81 | 53,359 | 1,49,992 | PUC |
| 2011-12 | 20110726 | JAPAN | 73049000 | COLD DRAWN SEAMLESS STEEL TUBE (FOR PISTON PIN) GRADE SCM-415H (O.D. 13.40MM | 2.46 | 2,99,112 | 7,36,713 | PUC |
| 2011-12 | 20110802 | NETHERLAND | 73045910 | SEAMLESS HIGH PRESSURE TUBE SIZE(MM) : 76.1 X 3.6 (114,00 MTRS) | 2.08 | 2,38,389 | 4,96,802 | PUC |
| 2011-12 | 20110729 | FRANCE | 73043939 | N18450 SMLS PIPE EN10294-1E470 100X80 (CRUSHER PARTS)(CAPTIVE USE) | 2.00 | 78,787 | 1,57,574 | PUC |

**Import Data from DGCIS [All Countries PUC]
Apr 2009 to Jun 2012**

| Year | Date | Country | ITC-HS | Item-Des | Quantity (MT) | Price (Rs./MT) | Value (Rs) | PUC/ NPUC |
|---------|----------|-------------|----------|---|---------------|----------------|--------------|--------------|
| 2011-12 | 20110811 | BELGIUM | 73049000 | M.S SEAMLESS PIPE SECONDARY | 2.00 | 26,273 | 52,545 | PUC |
| 2011-12 | 20110811 | GERMANY | 73049000 | M.S SEAMLESS PIPES SECOND CHOICE MIX | 2.00 | 25,616 | 51,231 | PUC |
| 2011-12 | 20110802 | CHINA P RP | 73049000 | PIN STEEL TUBE (GRADE: SCM415H) -OD13.30MM X ID9.00MM LENGTH: 1500MM-2500MM (FO | 2.00 | 1,84,475 | 3,68,950 | PUC |
| 2011-12 | 20110825 | CHINA P RP | 73049000 | CARBON STEEL SEAMLESS PIPE API 5L GR.B/ASTM A 106GR.B/ASTM A 53 GR.B | 2.00 | 25,614 | 51,228 | PUC |
| 2011-12 | 20110812 | SINGAPORE | 73049000 | OIL WELL SUPPLIES : PIPE SMLS 3NB SCH XXS ASTM A519 4130QT NACE MR-01-75 (PART | 1.97 | 1,56,687 | 3,08,830 | PUC |
| 2011-12 | 20110811 | JAPAN | 73049000 | SEAMLESS ALLOY STEEL TUBES JIS G3441 SCM415TK 36.70MM OD X 28.10MM ID X 5M | 1.95 | 1,43,617 | 2,79,622 | PUC |
| 2011-12 | 20110801 | CHINA P RP | 73049000 | EDDY CURRENT TEST MACHINE COIL ID22MM (TEST PIECES OF STEEL TUBE COILS) (@USD | 1.60 | 1,11,750 | 1,78,800 | PUC |
| 2011-12 | 20110812 | KOREA RP | 73049000 | SA105 FLANGES & HOLLOW BARS 300# BLRF 20 | 1.34 | 1,06,240 | 1,41,937 | PUC |
| 2011-12 | 20110808 | CHINA P RP | 73043139 | HYDRAULIC CYLINDER TUBE(SIZE: 250X220 MM) | 1.30 | 77,066 | 1,00,527 | PUC |
| 2011-12 | 20110812 | KOREA RP | 73049000 | SA105 FLANGES & HOLLOW BARS 150# BLRF 24 | 1.00 | 1,35,082 | 1,35,082 | PUC |
| 2011-12 | 20110811 | SAUDI ARAB | 73049000 | CARBON STEEL SECONDARY SEAMLESS/WELDED PIPES MIX LOT | 1.00 | 12,634 | 12,634 | PUC |
| 2011-12 | 20110715 | U S A | 73049000 | CARBON STEEL SECONDARY/DEFECTIVE SEAMLESS PIPES | 1.00 | 11,164 | 11,164 | PUC |
| 2011-12 | 20110818 | U S A | 73049000 | CARBON STEEL SECONDARY DEFECTIVE SEAMLESS PIPE | 1.00 | 9,950 | 9,950 | PUC |
| 2011-12 | 20110811 | U ARAB EMTS | 73049000 | CARBON STEEL SECONDARY SEAMLESS PIPE MIX SIZES MIX THICKNESS MIX LOT | 1.00 | 8,046 | 8,046 | PUC |
| 2011-12 | 20110811 | CHINA P RP | 73049000 | CARBON STEEL SECONDARY CHOICE SEAMLESS PIPES | 1.00 | 13,057 | 13,057 | PUC |
| 2011-12 | 20110808 | GERMANY | 73069090 | PIPE B-36 10 ASTM A 106 GR B BE SEAMLESS 0.75 INCH S160 | 0.54 | 16,56,549 | 8,88,638 | PUC |
| 2011-12 | 20110726 | JAPAN | 73049000 | COLD DRAWN SEAMLESS STEEL TUBE (FOR PISTON PIN) GRADE SCM-415H (O.D. 13.40MM | 0.51 | 2,99,112 | 1,51,949 | PUC |
| 2011-12 | 20110729 | CHINA P RP | 73049000 | OILWELL EQUIPMENT: DOPE DRILL PIPE DOPE TCR 60^ SMO NO:- CW657^PART NO:-OCRZN60 | 0.32 | 2,19,074 | 70,980 | PUC |
| 2011-12 | 20110826 | CHINA P RP | 73062919 | SEAMLESS TUBE : 54*5*3.5. MATERIAL : 42CRMO4 | 0.30 | 90,340 | 27,102 | PUC |
| 2011-12 | 20110825 | SINGAPORE | 73042390 | DIE INSERT FOR 6-5/8 IN DRILL PIPE | 0.28 | 1,37,306 | 38,995 | PUC |
| 2011-12 | 20110802 | SINGAPORE | 73049000 | RA330 SEAMLESS PIPE 1-1/4 SCH 40 LENGTH : 98 7/16 | 0.20 | 2,71,200 | 54,240 | PUC |
| 2011-12 | 20110816 | U K | 73043939 | HYDRAYLIC CYLINDER TUBE 55*45*382MM(FOR MANUFACTURING OF HYDRAULIC CYLINDER) | 0.19 | 99,909 | 18,583 | PUC |
| 2011-12 | 20110817 | U ARAB EMTS | 73061100 | PIPE; CS 6 NS, SCH 160, 18.26MM OD, 0.719 THK; SEAMLESS ;ASTM A106B; NACE MR- | 0.14 | 59,556 | 8,046 | PUC |
| 2011-12 | 20110820 | MALAYSIA | 73049000 | CARBON STEEL SECONDARY DEFECTIVE SEAMLESS PIPE | 0.10 | 23,360 | 2,336 | PUC |
| 2011-12 | 20110727 | U S A | 73049000 | CARBON STEEL SECONDARY DEFECTIVE SEAMLESS PIPE | 0.10 | 21,870 | 2,187 | PUC |
| 2011-12 | 20110823 | MALAYSIA | 73049000 | CARBON STEEL SECONDARY DEFECTIVE SEAMLESS PIPE | 0.10 | 20,590 | 2,059 | PUC |
| 2011-12 | 20110823 | MALAYSIA | 73049000 | CARBON STEEL SECONDARY DEFECTIVE SEAMLESS PIPE | 0.10 | 18,020 | 1,802 | PUC |
| 2011-12 | 20110820 | CHINA P RP | 73041110 | TUBE 12.70MM X 1.65MM- SEAMLESS -1.4404 TCC.1 | 0.07 | 15,99,807 | 1,16,573 | PUC |
| 2011-12 | 20110821 | JAPAN | 73043119 | HOT FINISHED SEAMLESS CARBON/ALLOY STEEL PIPES/TUBES-ASME SA106-B,-60.3X5.54X55 | 0.05 | 75,327 | 3,917 | PUC |
| 2011-12 | 20110810 | CHINA P RP | 73042390 | CORE DRILL PIPE C GRADE MATERIAL MILD STEEL SEAMLESS PIPE200MM * 450MM | 0.05 | 2,25,760 | 11,288 | PUC |
| 2011-12 | 20110804 | CHINA P RP | 73042990 | LOCK MADE OF MS (PCS 60 U/P 2.35) | 0.03 | 2,10,100 | 6,303 | PUC |
| 2011-12 | 20110729 | KOREA RP | 73049000 | SEAMLESS STEEL PIPES C-45 (21.4*2.5*5100-5800MM) | 0.01 | 58,800 | 588 | PUC |
| 2011-12 | 20110819 | CHINA P RP | 73049000 | COLD DRAWN SEAMLESS CARBON STEEL TUBES OD37.20 X ID20.50 X LG5100-5800MM (C45) | 0.01 | 1,08,000 | 540 | PUC |
| 2011-12 | 20110730 | CHINA P RP | 73049000 | SEAMLESS STEEL TUBE, BKS (60.3MM X 5.5MM X 5500 MM) | 0.01 | 1,05,600 | 528 | PUC |
| 2011-12 | 20110819 | CHINA P RP | 73049000 | COLD DRAWN SEAMLESS CARBON STEEL TUBES (33.38 X 3.38 X 4000-5800MM) ST37.4 | 0.01 | 1,04,000 | 520 | PUC |
| 2011-12 | 20110727 | CHINA P RP | 73041990 | SEAMLESS STEEL PIPES ASTM A 106-B/A53-B219X25MM | 0.003 | 2,42,667 | 728 | PUC |
| 2011-12 | 20110929 | CHINA P RP | 98010013 | 98010013 SEAMLESS PIPES(C/S)(S37/26/2011)TO SPEC.SA106 | 4,149.00 | 74,351 | 30,84,83,456 | PUC |
| 2011-12 | 20110902 | CHINA P RP | 73041910 | PLAIN END SEAMLESS PIPES 9-5/8 OD GRADE P-110 {13220.773 METERS = 990 PCS (OR) | 3,442.63 | 41,739 | 14,36,92,027 | PUC |
| 2011-12 | 20110914 | GERMANY | 73049000 | SEAMLESS COLD DRAWN LOW-CARBON STEEL TUBES SAE J 403-95 | 3,024.00 | 83 | 2,52,211 | PUC |
| 2011-12 | 20110923 | CHINA P RP | 98010030 | BARE LINE PIPE AS PER 5L PSL2 SIZE OD 219.1 MM X 7.1 MM X 60 (BARE LINE PIPE FO | 2,727.63 | 44,286 | 12,07,94,653 | PUC |
| 2011-12 | 20110913 | SPAIN | 73043911 | CARBON STEEL TUBES(TO SPEC SA 210)SIZE AS PER INVOICE | 1,883.00 | 1,08,643 | 20,45,74,399 | PUC |

**Import Data from DGCIS [All Countries PUC]
Apr 2009 to Jun 2012**

| Year | Date | Country | ITC-HS | Item-Des | Quantity (MT) | Price (Rs./MT) | Value (Rs) | PUC/ NPUC |
|---------|----------|------------|----------|---|---------------|----------------|-------------|--------------|
| 2011-12 | 20110923 | CHINA P RP | 98010030 | CARBON STEEL BARE LINE PIPES AS PER API 5L PSL2 SIZE OD 273.1 MM X 7.8 MM X 60 | 1,858.24 | 38,114 | 7,08,24,164 | PUC |
| 2011-12 | 20110819 | CHINA P RP | 73042990 | CASING PIPE 9-5/8 N-80, 43.5 PPF BTC (EC CERT.NO. ECIN201107270001 DT. 05.08.2 | 1,722.67 | 49,624 | 8,54,86,571 | PUC |
| 2011-12 | 20110924 | CHINA P RP | 98010013 | SEAMLESS CARBON STEEL HOLLOW(S37/26/2011/GR6)(SIZE:60.3*10.5*8.8M) | 1,476.00 | 56,817 | 8,38,61,253 | PUC |
| 2011-12 | 20110818 | CHINA P RP | 73042990 | CASING PIPE 9-5/8 N-80, 43.5 PPF BTC (EC CERT.NO. ECIN201107270001 DT. 05.08.2 | 1,235.33 | 49,623 | 6,13,01,508 | PUC |
| 2011-12 | 20110818 | CHINA P RP | 73042990 | CASING PIPE 9-5/8 N-80, 43.5 PPF BTC (EC CERT.NO. ECIN201107280005 DT. 28.07.2 | 1,223.49 | 49,626 | 6,07,16,731 | PUC |
| 2011-12 | 20110818 | CHINA P RP | 73042990 | CASING PIPE 9-5/8 N-80, 43.5 PPF BTC (EC CERT. NO. ECIN201108010020 DT. 01.08. | 1,164.39 | 49,626 | 5,77,83,574 | PUC |
| 2011-12 | 20110919 | CHINA P RP | 73043911 | SEAMLESS CARBON STEEL TUBES(SPEC SA:210)SIZE:AS PER INVOICE | 1,144.00 | 70,062 | 8,01,50,362 | PUC |
| 2011-12 | 20110817 | CHINA P RP | 73043911 | HOT FINISHED SEAMLESS TUBES (34CRMO4) SIZE: 267MM X 7.7MM | 893.89 | 56,769 | 5,07,45,242 | PUC |
| 2011-12 | 20110902 | CHINA P RP | 73042990 | CASING PIPE 9-5/8 N-80, 43.5PPF BTC | 851.89 | 51,703 | 4,40,45,422 | PUC |
| 2011-12 | 20110913 | CHINA P RP | 73042990 | CASING PIPE 9-5/8 J-55 40PPF BTC (602 BDL) (1194 PCS) (INVOICE NO.MUL/ONGC/698 | 808.23 | 49,372 | 3,99,04,014 | PUC |
| 2011-12 | 20110818 | CHINA P RP | 73042990 | CASING PIPE 9-5/8 N-80, 43.5 PPF BTC (EC CERT.NO. ECIN201107220033 DT.22.07.11 | 722.30 | 49,626 | 3,58,45,146 | PUC |
| 2011-12 | 20110818 | CHINA P RP | 73042990 | CASING PIPE 9-5/8 N-80, 43.5 PPF BTC (EC CERT.NO. ECIN201107220033 DT. 22.07.2 | 711.36 | 49,624 | 3,53,00,367 | PUC |
| 2011-12 | 20110902 | CHINA P RP | 73041910 | PLAIN END SEAMLESS PIPES 3-1/2 OD GRADE L-80 {7845.874 METERS = 836 PCS (OR) 1 | 651.75 | 44,183 | 2,87,96,080 | PUC |
| 2011-12 | 20110919 | CHINA P RP | 73045930 | SEAMLESS STEEL GAS CYLINDERS TUBE (SIZE: 232MM MULTIPLY 5.4MM) | 591.00 | 51,654 | 3,05,27,458 | PUC |
| 2011-12 | 20110902 | CHINA P RP | 73042990 | CASING PIPE 9-5/8 , P-110, 47PPF BTC | 523.12 | 56,195 | 2,93,96,980 | PUC |
| 2011-12 | 20110902 | CHINA P RP | 73042990 | CASING PIPE 9-5/8 , P-110, 47PPF BTC | 522.91 | 56,192 | 2,93,83,550 | PUC |
| 2011-12 | 20110902 | CHINA P RP | 73042990 | CASING PIPE 9-5/8 N-80, 43.5PPF BTC | 517.31 | 51,708 | 2,67,48,959 | PUC |
| 2011-12 | 20110905 | U K | 73042990 | REGULAR SIZE CASING PIPES (13-3/8 ,9-5/8 ,7 AND 5-1/2) 20PPF P-110 BUTT | 514.52 | 58,678 | 3,01,91,064 | PUC |
| 2011-12 | 20110914 | U K | 73049000 | COLD FINISHED SEAMLESS STEEL TUBES ASME SA 210 GR. C, OD 57.15MM X WT 10.16 MM | 514.00 | 95,195 | 4,89,30,210 | PUC |
| 2011-12 | 20110908 | CHINA P RP | 73045930 | SEAMLESS STEEL GAS CYLINDER TUBE 232MM X 5.4 MM | 509.00 | 56,825 | 2,89,23,851 | PUC |
| 2011-12 | 20110818 | CHINA P RP | 73042990 | CASING PIPE 9-5/8 N-80, 43.5 PPF BTC (EC CERT.NO. ECIN201107220033 DT. 22.07.1 | 508.76 | 49,623 | 2,52,46,519 | PUC |
| 2011-12 | 20110830 | CHINA P RP | 73043911 | SEAMLESS STEEL TUBES (37MN) SIZE: 232MM X 5.7MM (ALLOY STEEL) | 471.00 | 52,299 | 2,46,32,829 | PUC |
| 2011-12 | 20110830 | CHINA P RP | 73042390 | SEAMLESS CARBON STEEL PIPE (API 5LX52 PSL1. SIZE 4 , 114.3MM OD, 11.8 METER LEN | 468.88 | 67,183 | 3,15,00,466 | PUC |
| 2011-12 | 20110830 | CHINA P RP | 73045130 | SEAMLESS CARBON STEEL PIPE ASME SA 106-B-2007, SIZE- 273 MMX 12.70 MM X 5800 M | 468.00 | 43,697 | 2,04,50,153 | PUC |
| 2011-12 | 20110830 | CHINA P RP | 73045130 | SEAMLESS CARBON STEEL PIPE ASME SA 106- B-2007, SIZE- 168.3MM X 7.11 MM X 600 | 467.00 | 43,615 | 2,03,68,007 | PUC |
| 2011-12 | 20110930 | CHINA P RP | 98010013 | SEAMLESS CARBON STEEL TUBES (SA210 GRA1) (124807.200MTR@ USD 6.34PER/M TR) (S37 | 465.00 | 79,248 | 3,68,50,550 | PUC |
| 2011-12 | 20110830 | CHINA P RP | 73043911 | SEAMLESS STEEL CYLINDER PIPE (34 CRMO4) SIZE: 267 MM X 7.7 MM (HOT ROLLED) | 459.00 | 60,320 | 2,76,86,864 | PUC |
| 2011-12 | 20110902 | CHINA P RP | 73042990 | CASING PIPE 9-5/8 N-80, 43.5PPF BTC | 381.74 | 52,596 | 2,00,77,925 | PUC |
| 2011-12 | 20110818 | CHINA P RP | 73042990 | CASING PIPE 9-5/8 N-80,47 PPF BTC (EC CERT.NO. ECIN201107220033 DT. 22.07.11) | 380.84 | 50,462 | 1,92,18,182 | PUC |
| 2011-12 | 20110923 | CHINA P RP | 73043911 | 73043911 SEAMLESS TUBES(CARBON STEEL)TO SPEC.SA210 | 375.00 | 69,888 | 2,62,07,817 | PUC |
| 2011-12 | 20110915 | CHINA P RP | 73045910 | SEAMLESS CARBON STEEL TUBES ASME SA210M GR. A1 SIZE 63.5 ODX 4.06 MIN. WT X 110 | 371.14 | 59,467 | 2,20,70,722 | PUC |
| 2011-12 | 20110818 | CHINA P RP | 73042990 | CASING PIPE 9-5/8 P-110, 47PPF BTC (EC CERT. NO. ECIN201108080004 DT. 08.08.20 | 370.66 | 54,845 | 2,03,29,155 | PUC |
| 2011-12 | 20110826 | CHINA P RP | 73043911 | CARBON STEEL SEAMLESS PIPE (HOT FINISHED)DIN 17175 ST 38.1 X 2.67 X 4880 (STC 1 | 369.00 | 52,720 | 1,94,53,693 | PUC |
| 2011-12 | 20110923 | CHINA P RP | 98010013 | SEAMLESS CARBON STEEL HOLLOWSSIZE AS PER INVOICE CIF:RS.20250682 S37/26/2010 | 354.00 | 57,205 | 2,02,50,682 | PUC |
| 2011-12 | 20110915 | CHINA P RP | 73041910 | PLAIN END SEAMLEES PIPES OF SIZE 4-1/2 OD GRADE N80-1 {18252.583 MTRS = 307.83 | 332.80 | 44,155 | 1,46,94,483 | PUC |
| 2011-12 | 20110902 | GHANA | 73042990 | REGULAR SIZE CASING PIPES5-1/2 20PPF P-110 BUTT (178 BDL= 855 PCS) | 318.25 | 58,670 | 1,86,72,082 | PUC |
| 2011-12 | 20110915 | CHINA P RP | 73041910 | PLAIN END SEAMLESS PIPES OF SIZE 2-7/8 OD GRADE N80-1 {34115.529 MTRS = 323.13 | 313.07 | 53,355 | 1,67,03,960 | PUC |
| 2011-12 | 20110902 | CHINA P RP | 73042990 | CASING PIPE 9-5/8 , Q-125, 47PPF, BTC | 299.00 | 58,758 | 1,75,68,618 | PUC |
| 2011-12 | 20110903 | BELGIUM | 73049000 | CARBON STEEL SEAMLESS/ DEFECTIVE PIPES | 295.96 | 27,159 | 80,38,093 | PUC |
| 2011-12 | 20110819 | CHINA P RP | 73043939 | CARBON STEEL SEAMLESS PIPES - GRADE:B , SIZE(MM) : 4 SCH80 X LENGTH 5-5.8M | 293.00 | 44,557 | 1,30,55,114 | PUC |
| 2011-12 | 20110923 | CHINA P RP | 73042990 | HOT ROLLED (C-MN) SEAMLESS STEEL TUBE OD232MMX5.4MM(37MN) | 275.00 | 59,540 | 1,63,73,456 | PUC |

**Import Data from DGCIS [All Countries PUC]
Apr 2009 to Jun 2012**

| Year | Date | Country | ITC-HS | Item-Des | Quantity (MT) | Price (Rs./MT) | Value (Rs) | PUC/ NPUC |
|---------|----------|--------------|----------|--|---------------|----------------|-------------|--------------|
| 2011-12 | 20110830 | CHINA P RP | 73049000 | CARBON STEEL SEAMLESS PIPE ASTM 106 GR.B/API 5L GR.B | 255.00 | 31,839 | 81,18,895 | PUC |
| 2011-12 | 20110829 | CHINA P RP | 73049000 | CARBON STEEL SEAMLESS PIPES ASTM 106 GR,B/API 5L GR.B | 254.00 | 31,893 | 81,00,832 | PUC |
| 2011-12 | 20110818 | CHINA P RP | 73042990 | CASING PIPE 9-5/8 N-80, 43.5 PPF BTC (EC CERT.NO. ECIN201108020037 DT. 02.08.2 | 253.90 | 50,482 | 1,28,17,277 | PUC |
| 2011-12 | 20110916 | CHINA P RP | 73043919 | CARBON STEEL SEAMLESS TUBES TO ASTM A179 (SIZE=30X3 MM)(LENGTH- 10-11.8 M) | 251.83 | 47,931 | 1,20,70,313 | PUC |
| 2011-12 | 20110923 | CHINA P RP | 73049000 | CARBON SEAMLESS STEEL PIPE 134MM X4.5MM X6000MM | 241.00 | 49,196 | 1,18,56,197 | PUC |
| 2011-12 | 20110830 | CHINA P RP | 73043921 | 73043921 SEAMLESS CARBON STEEL PIPES(TOSPEC SA106) | 240.00 | 52,223 | 1,25,33,453 | PUC |
| 2011-12 | 20110916 | U S A | 73069090 | SECONDARY & DEFECTIVE MS PIPES ISRI CODE 200,201,202,206PSI NO. 08186/K/D/10114 | 233.00 | 24,238 | 56,47,503 | PUC |
| 2011-12 | 20110830 | CHINA P RP | 73041190 | SEAMLESS STEEL LINE PIPE SIZE :219.30MMX11.30MMX11800MM(IN MTS 109.988) | 231.94 | 41,123 | 95,37,942 | PUC |
| 2011-12 | 20110923 | CHINA P RP | 73043119 | COLD DRAWN SEAMLESS CARBON STEEL TUBES ST52.4 (SIZE : 33.4 X4.5X10000-12000MM) | 228.73 | 53,533 | 1,22,44,703 | PUC |
| 2011-12 | 20110909 | CHINA P RP | 73049000 | HOT FINISHED SEAMLESS STEEL TUBE 34CRMO4 | 227.00 | 62,192 | 1,41,17,557 | PUC |
| 2011-12 | 20110905 | CHINA P RP | 73049000 | HOT FINISHED SEAMLESS STEEL TUBE 34CRMO4 | 219.00 | 63,401 | 1,38,84,719 | PUC |
| 2011-12 | 20110927 | CHINA P RP | 73049000 | CARBON STEEL SEAMLESS PIPES | 207.00 | 33,009 | 68,32,960 | PUC |
| 2011-12 | 20110910 | CHINA P RP | 73043119 | COLD DRAWN SEAMLESS CABON STEEL TUBES (SIZE : 33.4 X 4.5 X10000-12000MM) | 204.97 | 53,533 | 1,09,72,343 | PUC |
| 2011-12 | 20110906 | CHINA P RP | 73049000 | CARBON STEEL PIPES OF SECOND CHOICE, SEAMLESS | 202.00 | 36,269 | 73,26,297 | PUC |
| 2011-12 | 20110909 | CHINA P RP | 73049000 | CARBON STEEL SEAMLESS PIPES CONFIRMING TO SPECIFICATION ASTM A 106/API 5L/A53 GR | 200.00 | 34,874 | 69,74,784 | PUC |
| 2011-12 | 20110905 | U K | 73042990 | REGULAR SIZE CASING PIPES(13-3/8 , 9-5/8 , 7 AND 5-1/2)20PPF P-110 BUTT(110 BD | 190.14 | 58,674 | 1,11,56,013 | PUC |
| 2011-12 | 20110922 | CHINA P RP | 73049000 | CARBON STEEL SEAMLESS PIPES API SPEC 5L B PSL1/ASTM A106 B | 179.00 | 33,740 | 60,39,417 | PUC |
| 2011-12 | 20110823 | CHINA P RP | 73042990 | REGULAR SIZE CASING PIPES (CASING PIPE 7 OD P-110 29PPF BTC, 340 PCS, 4117.28 | 177.41 | 53,979 | 95,76,363 | PUC |
| 2011-12 | 20110913 | U S A | 73049000 | SECONDARY SEAMLESS STEEL TUBES MIXED SIZES | 176.00 | 26,551 | 46,72,949 | PUC |
| 2011-12 | 20110917 | CHINA P RP | 73049000 | SEAMLESS STEEL TUBE FOR | 175.00 | 63,401 | 1,10,95,193 | PUC |
| 2011-12 | 20110912 | CHINA P RP | 73049000 | CARBON STEEL SEAMLESS PIPES (SA106) | 173.97 | 99,852 | 1,73,71,332 | PUC |
| 2011-12 | 20110922 | CHINA P RP | 73041110 | CARBON STEEL SEAMLESS TUBES SA 210 GR. A1, OD50.8X4.5MM SIZE: 11000MM LG AS PER | 173.00 | 59,279 | 1,02,55,321 | PUC |
| 2011-12 | 20110913 | CHINA P RP | 73049000 | CARBON STEEL SEAMLESS PIPES API SPEC 5L B PSL1/ASTM A106 B | 167.00 | 34,884 | 58,25,711 | PUC |
| 2011-12 | 20110831 | CHINA P RP | 73041910 | SEAMLESS STEEL TUBES ASTM A106 GR B 5 X SCH80 | 162.00 | 42,422 | 68,72,377 | PUC |
| 2011-12 | 20110921 | U ARAB EMTS | 73049000 | SECONDARY CARBON STEEL SEAMLESS PIPE | 160.00 | 28,654 | 45,84,629 | PUC |
| 2011-12 | 20110920 | CHINA P RP | 73043911 | SEAMLESS CARBON STEEL TUBES (TO SPEC SA 210)OD 38.10 X 4.50 X 13800 | 152.00 | 78,918 | 1,19,95,578 | PUC |
| 2011-12 | 20110922 | FRANCE | 98010013 | HOT FINISHED SEAMLESS CARBON STEEL PIPES (TO SPEC SA 106)SIZE: OD 273 MM X WT 5 | 150.00 | 79,855 | 1,19,78,242 | PUC |
| 2011-12 | 20110923 | CHINA P RP | 73049000 | SEAMLESS STEEL TUBE FOR | 150.00 | 63,401 | 95,10,165 | PUC |
| 2011-12 | 20110910 | CHINA P RP | 73049000 | SEAMLESS STEEL TUBE FOR | 148.35 | 63,401 | 94,05,553 | PUC |
| 2011-12 | 20110831 | CHINA P RP | 73041190 | SEAMLESS STEEL PIPES ((OD X THK X LENGTH: 44.45 X 4.06 X 11500MM) | 148.00 | 53,669 | 79,42,939 | PUC |
| 2011-12 | 20110922 | SOUTH AFRICA | 73069090 | SECONDARY & DEFECTIVE M.S. PIPES | 146.00 | 22,857 | 33,37,092 | PUC |
| 2011-12 | 20110916 | CHINA P RP | 73041910 | PLAIN END SEAMLESS PIPES OF SIZE 3-1/2 OD GRADE: J-55 {12431.013 MTRS = 169.06 | 140.43 | 54,945 | 77,16,091 | PUC |
| 2011-12 | 20110916 | QATAR | 73042990 | SECONDARY SECOND CHOICE CARBON STEEL PIPES | 136.00 | 26,312 | 35,78,480 | PUC |
| 2011-12 | 20110902 | CHINA P RP | 73049000 | CARBON STEEL SEAMLESS PIPES ASTM A 106 GR.B | 134.00 | 44,823 | 60,06,243 | PUC |
| 2011-12 | 20110905 | SINGAPORE | 73069090 | SEAMLESS STEEL TUBES FOR HYDRAULIC CYLINDERS (SIZE: 180.00 X 7.50 FIX 180X165X8 | 133.25 | 72,601 | 96,74,344 | PUC |
| 2011-12 | 20110906 | CHINA P RP | 73045910 | SEAMLESS CARBON STEEL TUBES ASME SA210M GR. A1 SIZE 38.1 ODX 3.66 MIN. WT X 110 | 130.53 | 59,299 | 77,40,280 | PUC |
| 2011-12 | 20110914 | SAUDI ARAB | 73049000 | SECONDARY SECOND CARBON STEEL SEAMLESS/ WELDED PIPES MIXED THICKNESS MIXED LOT. | 129.00 | 26,244 | 33,85,527 | PUC |
| 2011-12 | 20110907 | U ARAB EMTS | 73049000 | SECONDARY SECOND CHOICE CARBON STEEL SEAMLESS/WELDED PIPES | 128.73 | 26,899 | 34,62,816 | PUC |
| 2011-12 | 20110816 | CHINA P RP | 73041110 | DEF/MS SEAMLESS PIPES SIZE:89MMX18MM | 124.00 | 30,882 | 38,29,409 | PUC |
| 2011-12 | 20110903 | U ARAB EMTS | 73049000 | SECONDARY SECOND CHOICE CARBON STEEL SEAMLESS PIPES | 123.95 | 26,899 | 33,34,173 | PUC |
| 2011-12 | 20110820 | CHINA P RP | 73049000 | SEAMLESS CARBON STEEL PIPES ASTM A 106 GRADE-B (38MM O/D X 12MM W/T X5.9 M | 123.00 | 43,887 | 53,98,061 | PUC |

**Import Data from DGCIS [All Countries PUC]
Apr 2009 to Jun 2012**

| Year | Date | Country | ITC-HS | Item-Des | Quantity (MT) | Price (Rs./MT) | Value (Rs) | PUC/ NPUC |
|---------|----------|-----------------|----------|--|---------------|----------------|-------------|--------------|
| 2011-12 | 20110912 | CHINA P RP | 73049000 | CARBON STEEL SEAMLESS PIPES TO ASTM A 106 GR.B | 123.00 | 33,838 | 41,62,110 | PUC |
| 2011-12 | 20110827 | QATAR | 73042990 | CARBON STEEL SEAMLESS PIPES SECONDARY/DEFECTIVE,GI COATED | 121.00 | 25,235 | 30,53,488 | PUC |
| 2011-12 | 20110915 | CHINA P RP | 73049000 | CARBON STEEL SEAMLESS PIPES CONFIRMING TO SPECIFICATION ASTM A 106/API 5L/A53 GR | 121.00 | 35,211 | 42,60,477 | PUC |
| 2011-12 | 20110903 | U S A | 73069090 | SECONDARY & DEFECTIVE M.S.PIPES ISRI CODE 200,201,202,206 PSI NO. 08186/K/D/109 | 118.00 | 24,387 | 28,77,639 | PUC |
| 2011-12 | 20110830 | U ARAB EMTS | 73049000 | STOCK LOT IRON PIPES | 117.00 | 31,593 | 36,96,420 | PUC |
| 2011-12 | 20110907 | U S A | 73069090 | SECONDARY & DEFECTIVE MS PIPES ISRI CODE 200,201,202,206 PSI NO. 08186/K/D/1096 | 117.00 | 24,239 | 28,35,982 | PUC |
| 2011-12 | 20110903 | U S A | 73069090 | SECONDARY AND DEFECTIVE M.S. PIPES PSINO. 08186/K/D/109259/B DT.18.06.11. | 116.00 | 21,592 | 25,04,620 | PUC |
| 2011-12 | 20110909 | CHINA P RP | 73043919 | HFS CARBON STEEL TUBES CONF. TO SPECN. SA 210 GRADE A1 SIZE(MM) : 63.5MM X 4.0M | 108.63 | 57,385 | 62,33,793 | PUC |
| 2011-12 | 20110915 | CHINA P RP | 73041910 | PLAIN END SEAMLESS PIPES OF SIZE 3-1/2 OD GRADE: J-55 {9515.830 MTRS = 129.455 | 107.50 | 54,960 | 59,08,229 | PUC |
| 2011-12 | 20110906 | CHINA P RP | 73045110 | CS SEAMLESS TUBES - SA 179 - SIZE:OD25MM X WT(MIN)MM X LG 6000MM | 107.17 | 58,688 | 62,89,530 | PUC |
| 2011-12 | 20110909 | VIETNAM SOC REP | 73049000 | SECONDARY CARBON STEEL PIPE SEAMLESS | 106.00 | 26,391 | 27,97,457 | PUC |
| 2011-12 | 20110906 | U K | 73049000 | SECONDARY SECOND CHOICE CARBON STEEL SEAMLESS/WELDED PIPES | 106.00 | 26,335 | 27,91,562 | PUC |
| 2011-12 | 20110920 | CHINA P RP | 73049000 | COLD DRAWN CARBON STEEL SEAMLESS PIPES | 106.00 | 33,406 | 35,41,056 | PUC |
| 2011-12 | 20110914 | SAUDI ARAB | 73049000 | SECONDARY SECOND CARBON STEEL SEAMLESS/ WELDED PIPES MIXED THICKNESS MIXED LOT. | 104.00 | 26,256 | 27,30,620 | PUC |
| 2011-12 | 20110920 | KOREA RP | 73045920 | STEEL SEAMLESS PIPES S355J2H EN 10210 | 103.00 | 56,108 | 57,79,108 | PUC |
| 2011-12 | 20110907 | CHINA P RP | 73049000 | COLD DRAWN CARBON STEEL SEAMLESS PIPES | 101.00 | 33,706 | 34,04,330 | PUC |
| 2011-12 | 20110907 | GERMANY | 73045910 | SEAMLESS CARBON STEEL PIPE ASTM A106 GR.B 0161A0392-38.00MMOD X 12.00MM THK X 5 | 99.60 | 55,300 | 55,07,918 | PUC |
| 2011-12 | 20110915 | U S A | 73049000 | CARBON STEEL SECONDARY DEFECTIVE SEAMLESS PIPE | 99.00 | 32,731 | 32,40,415 | PUC |
| 2011-12 | 20110905 | SINGAPORE | 73049000 | SEAMLESS STEEL TUBE FOR CYLINDERS HOT ROLLED 34CRMO4 | 98.00 | 65,290 | 63,98,391 | PUC |
| 2011-12 | 20110906 | CHINA P RP | 73043119 | SEAMLESS STEEL PIPES API 5L GR. B 42.5 X 5.5 X 5000-5800MM | 96.83 | 51,438 | 49,80,665 | PUC |
| 2011-12 | 20110830 | CHINA P RP | 73049000 | CARBON SEAMLESS STEEL PIPES STOCKLOT MIX SIZE | 96.00 | 28,919 | 27,76,234 | PUC |
| 2011-12 | 20110920 | CHINA P RP | 73049000 | SECONDARY CARBON STEEL SEAMLESS PIPE IN MIXED SIZES | 96.00 | 28,480 | 27,34,040 | PUC |
| 2011-12 | 20110907 | CHINA P RP | 73045910 | BEARINGS STEEL TUBES FOR MANUFACTURE OF OR & IR RACES 6006IR-39.15X5.02 OTHER | 95.23 | 78,898 | 75,13,420 | PUC |
| 2011-12 | 20110824 | KOREA RP | 73043119 | CARBON STEEL SEAMLESS TUBE ASME SA 210 GR.A1 (76.2 X 6.35 X8400MM) | 94.00 | 47,932 | 45,05,575 | PUC |
| 2011-12 | 20110910 | SPAIN | 73043911 | SEAMLESS CARBON STEEL TUBES TO SPEC SA 210 (4823.55 MTRS @ EURO 28.68/MTR) | 93.00 | 1,16,301 | 1,08,15,970 | PUC |
| 2011-12 | 20110824 | SWITZERLAND | 73043121 | SEAMLESS STEEL TUBE STEEL GRADE S355 J2H SIZE:267MM ODX28MMEN10210,2-2006 | 90.80 | 69,244 | 62,87,360 | PUC |
| 2011-12 | 20110810 | OMAN | 73049000 | NEW CARBON STEEL PIPES | 90.00 | 29,125 | 26,21,294 | PUC |
| 2011-12 | 20110831 | U ARAB EMTS | 73049000 | M S PIPE | 86.00 | 22,728 | 19,54,572 | PUC |
| 2011-12 | 20110923 | CHINA P RP | 73043911 | 73043911 SEAMLESS TUBES(CARBON STEEL)TO SPEC.SA210 | 85.00 | 79,478 | 67,55,663 | PUC |
| 2011-12 | 20110915 | CHINA P RP | 73041990 | CARBON STEEL SEAMLESS PIPE ASME SA 106 GRB PE & OILED SURFACE TUBES OD SIZE(33. | 84.08 | 61,079 | 51,35,269 | PUC |
| 2011-12 | 20110927 | CHINA P RP | 73043119 | HOT FINISHED CARBON STEEL SEAMLESS PIPES.ASME SA106 GR.B.273*6.35*7-12M (172-P | 82.00 | 54,012 | 44,29,013 | PUC |
| 2011-12 | 20110907 | CHINA P RP | 73045110 | SEAMLESS STEEL TUBES (COLD DRAWN SEAMLESS CARBON STEEL TUBES ASTM A 519 GRADE S | 81.00 | 62,472 | 50,60,272 | PUC |
| 2011-12 | 20110908 | TAIWAN | 73049000 | COLD DRAWN SEAMLESS STEEL TUBE116,00X8,00 E355 +SR 4000-5800 | 79.16 | 95,888 | 75,90,862 | PUC |
| 2011-12 | 20110914 | CHINA P RP | 73049000 | CARBON SEAMLESS STEEL PIPES STOCKLOT MIX SIZE | 79.00 | 32,907 | 25,99,663 | PUC |
| 2011-12 | 20110901 | ITALY | 73049000 | SECONDARY DEFECTIVE M.S.PIPES OF MIX SIZES | 78.00 | 23,760 | 18,53,282 | PUC |
| 2011-12 | 20110903 | CHINA P RP | 73049000 | SECONDARY CARBON STEEL SEAMLESS PIPE | 78.00 | 26,597 | 20,74,537 | PUC |
| 2011-12 | 20110926 | CHINA P RP | 73049000 | COLD DRAWN SEAMLESS STEEL PIPE AS PER ASTM A106/A53/API 5L GR.B. | 77.00 | 34,549 | 26,60,273 | PUC |
| 2011-12 | 20110810 | CHINA P RP | 73045910 | SEAMLESS CARBON STEEL PIPE ASTM A106 GR.B-0164A0392-38.00MMOD X 12.00MM THK.X54 | 76.82 | 53,753 | 41,29,279 | PUC |
| 2011-12 | 20110928 | CHINA P RP | 73049000 | SEAMLESS STEEL TUBE FOR | 75.00 | 63,401 | 47,55,083 | PUC |
| 2011-12 | 20110919 | U ARAB EMTS | 73049000 | SECONDARY AND DEFECTIVE M.S.PIPES | 74.00 | 26,478 | 19,59,374 | PUC |
| 2011-12 | 20110907 | CONGO P REP | 73069090 | SECONDARY & DEFECTIVE M.S PIPES | 73.00 | 23,375 | 17,06,367 | PUC |

**Import Data from DGCIS [All Countries PUC]
Apr 2009 to Jun 2012**

| Year | Date | Country | ITC-HS | Item-Des | Quantity (MT) | Price (Rs./MT) | Value (Rs) | PUC/ NPUC |
|---------|----------|-------------|----------|---|---------------|----------------|------------|--------------|
| 2011-12 | 20110825 | CHINA P RP | 73049000 | CARBON STEEL SEAMLESS PIPE API 5L GR.B/ASTM A106 GR.B | 72.00 | 40,895 | 29,44,405 | PUC |
| 2011-12 | 20110916 | CHINA P RP | 73049000 | CARBON STEEL SEAMLESS PIPES API SPEC 5L/ASTM A106/A53 B PSL1/B | 70.00 | 34,919 | 24,44,329 | PUC |
| 2011-12 | 20110919 | CHINA P RP | 73049000 | CARBON STEEL SEAMLESS PIPES AS PER ASTM A106/A53/API 5L GR.B | 70.00 | 34,513 | 24,15,930 | PUC |
| 2011-12 | 20110904 | CHINA P RP | 73043119 | CARBON STEEL SEAMLESS PIPES (101X10.5X5800MM) | 70.00 | 28,120 | 19,68,366 | PUC |
| 2011-12 | 20110914 | JAPAN | 73045110 | SEAMLESS STEEL TUBES (COLD DRAWN SEAMLESS CARBON STEEL TUBES GRADE: SAE 1541(SI | 69.00 | 1,17,997 | 81,41,800 | PUC |
| 2011-12 | 20110929 | QATAR | 73062919 | SECONDARY SECOND CHOICE CARBON STEEL PIPES | 68.00 | 26,463 | 17,99,497 | PUC |
| 2011-12 | 20110906 | CHINA P RP | 73049000 | SEAMLESS CARBON STEEL PIPES ASTM A 106 GRADE-B (32MM O/D X 7MM W/T X4.2 ME | 68.00 | 46,647 | 31,72,010 | PUC |
| 2011-12 | 20110830 | CHINA P RP | 73049000 | CARBON STEEL SEAMLESS PIPES AS PER ASTM A106 GR.B/API 5L GRB/A53 GR B | 68.00 | 33,348 | 22,67,666 | PUC |
| 2011-12 | 20110907 | CHINA P RP | 73043939 | SEAMLESS STEEL PIPES - GRADE:ASTM 106 GR.B/API 5LGR.B/A53,SIZE: 88.9 MM OD X 7 | 67.00 | 44,113 | 29,55,543 | PUC |
| 2011-12 | 20110829 | CHINA P RP | 73049000 | CARBON STEEL SEAMLESS PIPES AS PER API 5L GR.B/ASTM A53/A106 GR.B | 67.00 | 32,847 | 22,00,756 | PUC |
| 2011-12 | 20110914 | CHINA P RP | 73049000 | SEAMLESS STEEL PIPES21.4X2.5X5000 MM | 65.00 | 54,694 | 35,55,122 | PUC |
| 2011-12 | 20110912 | CHINA P RP | 73043129 | SEAMLESS CARBON STEEL PIPES - GRADE:API SPEC 5L B PSL 1/ASTM A106 B, SIZE: 168. | 65.00 | 49,207 | 31,98,486 | PUC |
| 2011-12 | 20110719 | CHINA P RP | 73045910 | BEARING SEAMLESS STEEL TUBE 61805IR 29.3X24.16MM | 63.00 | 89,957 | 56,67,312 | PUC |
| 2011-12 | 20110912 | DENMARK | 73049000 | COLD DRAWN SEAMLESS STEEL TUBE150,50X7,75 E355 +SR 4000-5800 | 62.72 | 99,325 | 62,29,508 | PUC |
| 2011-12 | 20110910 | ITALY | 73043911 | HOT ROLLED STEEL PLATES (ASTM A 36) SIZE: 184 X 1740 X 7000(MM)C.S.PLATES | 60.62 | 63,311 | 38,37,943 | PUC |
| 2011-12 | 20110923 | CHINA P RP | 73043911 | SEAMLESS TUBES (CARBONSTEEL)TO SPEC SA210 | 59.00 | 70,254 | 41,44,988 | PUC |
| 2011-12 | 20110825 | SAUDI ARAB | 73049000 | SECONDARY SECOND CARBON STEEL SEAMLESS/ WELDED PIPE FITTINGS, MIXED THICKNESS M | 56.00 | 27,682 | 15,50,193 | PUC |
| 2011-12 | 20110714 | SPAIN | 73041990 | SERVICEABLE PIPE | 55.00 | 32,852 | 18,06,886 | PUC |
| 2011-12 | 20110914 | NETHERLAND | 73049000 | SECONDARY DEFECTIVE CARBON STEEL SEAMLESS PIPE | 55.00 | 26,684 | 14,67,602 | PUC |
| 2011-12 | 20110912 | OMAN | 73042990 | M.S. REJECTED PIPES | 55.00 | 23,417 | 12,87,952 | PUC |
| 2011-12 | 20110912 | CHINA P RP | 73043119 | COLD DRAWN SEAMLESS TUBE SA 210 GR.A1 - 38.1MM OD X 3.66MM THK 9.65 (1246 PCS.) | 55.00 | 83,735 | 46,05,428 | PUC |
| 2011-12 | 20110906 | CHINA P RP | 73049000 | SECONDARY DEFECTIVE M.S. SEAMLESS PIPES OF MIX SIZES | 55.00 | 23,707 | 13,03,906 | PUC |
| 2011-12 | 20110919 | KOREA RP | 73041910 | SEAMLESS STEEL PIPES & TUPES SIZE:6 XSCH40X5000-5800MM | 54.00 | 35,909 | 19,39,098 | PUC |
| 2011-12 | 20110916 | U ARAB EMTS | 73049000 | STOCK LAST M S PIPES | 54.00 | 28,938 | 15,62,668 | PUC |
| 2011-12 | 20110923 | CHINA P RP | 73049000 | CARBON SEAMLESS STEEL PIPE 168.3MM OD X 17.5 MM THK-ST52.3-53.89 TONNES | 54.00 | 46,428 | 25,07,088 | PUC |
| 2011-12 | 20110829 | CHINA P RP | 73041910 | SECONDARY STEEL PIPES | 54.00 | 25,861 | 13,96,520 | PUC |
| 2011-12 | 20110826 | CHINA P RP | 73041910 | PLAIN END SEAMLESS PIPES {139.7 X 31.75 X 8230}MM {GRADE: AISI 1340} {53.340 MT | 53.61 | 68,939 | 36,95,661 | PUC |
| 2011-12 | 20110930 | QATAR | 73062919 | SECONDARY SECOND CHOICE CARBON STEEL PIPES | 53.00 | 26,251 | 13,91,310 | PUC |
| 2011-12 | 20110912 | CHINA P RP | 73043939 | SEAMLESS PIPES SIZE: OD 60MM , WT 12MM , LENGTH:1-5.8M , API 5L ASTM A 106 GR. | 53.00 | 47,865 | 25,36,849 | PUC |
| 2011-12 | 20110916 | CHINA P RP | 73043911 | SEAMLESS MOTHER TUBES (SAE 1010) (30 X 4 X 4500-5800MM) | 52.92 | 54,463 | 28,82,045 | PUC |
| 2011-12 | 20110914 | U ARAB EMTS | 73049000 | SECONDARY SECOND CHOICE CARBON STEEL SEAMLESS/WELDED PIPES | 52.50 | 27,139 | 14,24,782 | PUC |
| 2011-12 | 20110905 | JAPAN | 73043119 | NON ALLOY STEEL SEAMLESS PIPES API5L GRADE B 114.3MMX11.13MM | 52.00 | 52,826 | 27,46,928 | PUC |
| 2011-12 | 20110906 | CHINA P RP | 73045110 | SEAMLESS STEEL TUBES (COLD DRAWN CARBON STEEL TUBES ASTM A 519 GRADE 37MN5 (SIZ | 52.00 | 58,890 | 30,62,295 | PUC |
| 2011-12 | 20110831 | ITALY | 73049000 | CARBON STEEL SEAMLESS/ DEFECTIVE PIPES | 51.76 | 25,747 | 13,32,630 | PUC |
| 2011-12 | 20110915 | SAUDI ARAB | 73049000 | SECONDARY SECOND CARBON STEEL SEAMLESS/ WELDED PIPES MIXED THICKNESS MIXED LOT. | 51.00 | 26,209 | 13,36,641 | PUC |
| 2011-12 | 20110908 | CHINA P RP | 73043931 | SEAMLESS CARBON STEEL PIPES (TO SPEC SA 106)SIZE: 273.1 MM X 9.27 MM | 51.00 | 56,477 | 28,80,302 | PUC |
| 2011-12 | 20110905 | MALAYSIA | 73041910 | PLAIN END SEAMLESS DRILL PIPES OF SIZE 5-1/2 OD {1462.009 MTRS = 50.736 MTS (O | 50.74 | 61,240 | 31,07,084 | PUC |
| 2011-12 | 20110830 | SWEDEN | 73045110 | SECONDARY AND DFEECTIVE SEAMLESS STEEL TUBES (ALLOY STEEL) GRADE: 100 CR6 SIZE: | 50.09 | 29,935 | 14,99,311 | PUC |
| 2011-12 | 20110830 | U K | 73049000 | SECONDARY SEAMLESS CARBON STEEL PIPES | 49.00 | 32,095 | 15,72,647 | PUC |
| 2011-12 | 20110830 | CHINA P RP | 73049000 | CARBON STEEL SEAMLESS PIPES A 106 GR B | 49.00 | 40,634 | 19,91,063 | PUC |
| 2011-12 | 20110831 | CHINA P RP | 73049000 | CARBON STEEL SEAMLESS PIPES ASTM A106 GR.B | 49.00 | 40,569 | 19,87,889 | PUC |

**Import Data from DGCIS [All Countries PUC]
Apr 2009 to Jun 2012**

| Year | Date | Country | ITC-HS | Item-Des | Quantity (MT) | Price (Rs./MT) | Value (Rs) | PUC/ NPUC |
|---------|----------|-------------|----------|--|---------------|----------------|-------------|--------------|
| 2011-12 | 20110906 | JAPAN | 73043939 | SEAMLESS PIPES OD 60MM X WT 12MM X LENGTH 1-5.8M API 5L ASTM A 106 GR.B | 48.00 | 47,943 | 23,01,240 | PUC |
| 2011-12 | 20110906 | CONGO P REP | 73069090 | SECONDARY & DEFECTIVE M.S. PIPE | 48.00 | 22,951 | 11,01,660 | PUC |
| 2011-12 | 20110924 | CHINA P RP | 73045110 | SEAMLESS COLD ROLLED CARBON STEEL TUBE (SIZE: 88.90 X 5.50 X 3100 MM) | 48.00 | 59,185 | 28,40,893 | PUC |
| 2011-12 | 20110908 | CHINA P RP | 73049000 | CARBON STEEL SEAMLESS PIPE API 5L GR.B/ASTM A106 GR.B | 48.00 | 41,941 | 20,13,183 | PUC |
| 2011-12 | 20110922 | BELGIUM | 73049000 | M.S SEAMLESS PIPE SECONDRY MIX | 47.42 | 26,047 | 12,35,126 | PUC |
| 2011-12 | 20110829 | ROMANIA | 73043911 | SEAMLESS CARBON STEEL TUBES(TO SPEC SA 192)OD:51,00 MM X 2,008 IN WT:4.00 MM X | 47.00 | 86,311 | 40,56,630 | PUC |
| 2011-12 | 20110907 | SPAIN | 73043911 | RIFLE TUBES (CARBON STEEL) (TO SPEC SA210) (4155.30 MT @ EUR 19.85/MTR) | 46.00 | 1,26,788 | 58,32,250 | PUC |
| 2011-12 | 20110831 | TAIWAN | 73041990 | CARBON STEEL SEAMLESS PIPE FOR COUPLING API 5CT (DIMS (MM)) : 271 X 20.5, STEE | 46.00 | 45,923 | 21,12,447 | PUC |
| 2011-12 | 20110909 | CHINA P RP | 73049000 | CARBON STEEL SEAMLESS PIPES API SPEC 5L/ASTM A108/A53 B PSL1/B | 46.00 | 35,232 | 16,20,673 | PUC |
| 2011-12 | 20110910 | UNSPECIFIED | 73069090 | M S SECONDARY DEFECTIVE SEAMLESS PIPES | 45.00 | 26,821 | 12,06,955 | PUC |
| 2011-12 | 20110823 | CHINA P RP | 73043129 | HYDRAULIC CYLINDER TUBE 160*130(FOR CAPTIVE CONSUMPTION) | 44.59 | 50,061 | 22,32,184 | PUC |
| 2011-12 | 20110913 | U S A | 73049000 | CARBON STEEL SEAMLESS PIPES (SA 106) | 44.06 | 1,11,467 | 49,10,681 | PUC |
| 2011-12 | 20110916 | CHINA P RP | 73049000 | CARBON STEEL SEAMLESS PIPES ASTM 106 GR B | 44.00 | 33,252 | 14,63,083 | PUC |
| 2011-12 | 20110908 | CHINA P RP | 73049000 | SECONDARY CARBON STEEL SEAMLESS PIPES MIX SIZES PIPES MIX THICKNESS - MIX LOT | 43.00 | 28,112 | 12,08,810 | PUC |
| 2011-12 | 20110913 | U S A | 73049000 | CARBON STEEL SEAMLESS PIPES (SA 106) | 41.12 | 1,12,699 | 46,33,619 | PUC |
| 2011-12 | 20110905 | ITALY | 73049000 | CARBON STEEL SECONDARY SEAMLESS PIPES MIX SIZES MIX THICKNESS MIX LOT | 41.00 | 28,141 | 11,53,788 | PUC |
| 2011-12 | 20110906 | CHINA P RP | 73045110 | BEARING QUALITY STEEL TUBE SAE-52100 (BB1103 IR) SIZE 46.75X 34.75 MM | 40.06 | 74,255 | 29,74,710 | PUC |
| 2011-12 | 20110916 | U S A | 73049000 | SECONDARY SECOND CARBON STEEL SEAMLESS/ WELDED PIPES MIXED THICKNESS MIXED LOT. | 40.00 | 26,419 | 10,56,756 | PUC |
| 2011-12 | 20110824 | U S A | 73049000 | SECONDARY/DEFECTIVE CARBON STEEL SEAMLESS PIPE | 39.00 | 25,824 | 10,07,139 | PUC |
| 2011-12 | 20110905 | CHINA P RP | 73043119 | SEAMLESS PIPES COLD DRAWN OF HIGH CARBON CHROMIUM BEARING STEEL TUBE OF SIZE 41 | 38.68 | 69,656 | 26,94,031 | PUC |
| 2011-12 | 20110915 | ITALY | 73043121 | SEAMLESS COLD DRAWN TUBES(BARREL)USED FOR HYDRAULIC CYLINDER EXCAVATORS | 38.40 | 1,13,331 | 43,52,235 | PUC |
| 2011-12 | 20110830 | ITALY | 73049000 | COLD DRAWN SEAMLESS STEEL TUBE126,00X8,00 E355 +SR 4000-5800 | 38.36 | 1,01,895 | 39,08,303 | PUC |
| 2011-12 | 20110907 | CHINA P RP | 73045110 | BEARING QUALITY STEEL TUBE SAE 52100 - SIZE 38.6*4.0 | 38.08 | 74,945 | 28,54,224 | PUC |
| 2011-12 | 20110919 | CHINA P RP | 73045110 | BEARING QUALITY STEEL TUBE SAE-52100 (6902 IR) SIZE 19.50 X14.83 MM | 37.57 | 68,144 | 25,60,248 | PUC |
| 2011-12 | 20110910 | ITALY | 73043911 | PIPES - CARBON STEEL SEAMLESS PIPE (SA106) | 37.35 | 3,07,466 | 1,14,83,844 | PUC |
| 2011-12 | 20110902 | CHINA P RP | 73045110 | BEARING QUALITY STEEL TUBE SAE 52100 AND SUJ-3 (TMB6203A/42OR) SIZE 42.7X 4.75 | 35.89 | 79,603 | 28,57,266 | PUC |
| 2011-12 | 20110902 | CHINA P RP | 73045110 | STEEL TUBE DIA 4.76 * 0.65 MM WITH COPPER COATED | 34.60 | 65,889 | 22,79,786 | PUC |
| 2011-12 | 20110901 | CHINA P RP | 73043119 | SEAMLESS STEEL TUBE AS PER ASTM A519 SAE 1040 64X2.4X6150 | 34.00 | 35,232 | 11,97,878 | PUC |
| 2011-12 | 20110830 | CHINA P RP | 73049000 | CARBON STEEL SEAMLESS PIPES AS PER ASTM A106 GR.B/API 5L GRB/A53 GR B | 33.00 | 33,801 | 11,15,434 | PUC |
| 2011-12 | 20110923 | CHINA P RP | 73042990 | 2 7/8 6.5# N80 EUB SMLS R2 | 32.78 | 67,720 | 22,19,830 | PUC |
| 2011-12 | 20110812 | CHINA P RP | 73045110 | BEARING QUALITY STEEL TUBE SAE52100 SIZE 38.7 * 4.0 | 32.56 | 71,967 | 23,42,958 | PUC |
| 2011-12 | 20110812 | CHINA P RP | 73042200 | BRAND NEW DRILL PIPES 4-1/2 OD (29300 KGS) (ESSENTIAL CERTIFICATE NO.ECIN20110 | 31.83 | 1,30,594 | 41,57,100 | PUC |
| 2011-12 | 20110915 | CHINA P RP | 73041990 | CARBON STEEL SEAMLESS TUBE ASME HE III(TUBES) SA 106 GR B PE & OILED SURFACE (O | 31.83 | 61,392 | 19,54,243 | PUC |
| 2011-12 | 20110923 | U ARAB EMTS | 73049000 | M S PIPE | 30.00 | 23,443 | 7,03,281 | PUC |
| 2011-12 | 20110808 | BELGIUM | 73049000 | NON ALLOY STEEL / IRON PROFILE FRONT COLUMN | 29.42 | 96,015 | 28,24,283 | PUC |
| 2011-12 | 20110909 | U S A | 73043911 | PIPES - ALLOY STEEL SEAMLESS PIPES (SA106) | 28.36 | 1,89,978 | 53,86,830 | PUC |
| 2011-12 | 20110908 | OMAN | 73069090 | SECONDARY & DEFECTIVE M.S.PIPES | 28.00 | 23,310 | 6,52,677 | PUC |
| 2011-12 | 20110912 | CHINA P RP | 73043139 | SEAMLESS CARBON STEEL PIPES - GRADE:API SPEC 5L B PSL 1/ASTM A106 B, SIZE: 273. | 28.00 | 70,569 | 19,75,921 | PUC |
| 2011-12 | 20110819 | CHINA P RP | 73041190 | 6 PIPE THK.6.4MM A106 GR.B SMLS. OR APL 5L (500 MTR X @USD32.44 PER MTR) | 27.51 | 68,665 | 18,88,986 | PUC |
| 2011-12 | 20110914 | SAUDI ARAB | 73049000 | SECONDARY CARBON STEEL SEAMLESS PIPES | 27.00 | 28,891 | 7,80,047 | PUC |
| 2011-12 | 20110916 | SINGAPORE | 73041910 | SECONDARY STEEL PIPES | 27.00 | 26,614 | 7,18,567 | PUC |

**Import Data from DGCIS [All Countries PUC]
Apr 2009 to Jun 2012**

| Year | Date | Country | ITC-HS | Item-Des | Quantity (MT) | Price (Rs./MT) | Value (Rs) | PUC/ NPUC |
|---------|----------|-------------|----------|---|---------------|----------------|------------|--------------|
| 2011-12 | 20110816 | CHINA P RP | 73043119 | ORIGINAL SEAMLESS STEEL PIPE ASTM A-106 GRADE B/API 5L WITH MARKING 139.7X | 27.00 | 42,099 | 11,36,661 | PUC |
| 2011-12 | 20110906 | CHINA P RP | 73049000 | SECONDARY SECOND CHOICE CARBON STEEL SEAMLESS/WELDED PIPES | 27.00 | 26,437 | 7,13,802 | PUC |
| 2011-12 | 20110913 | JAPAN | 73049000 | HOT FINISH SEAMLESS STEEL TUBE - WELTEN780ST-TK -OD76.30MM X 5.50 MM X 9000MM | 26.00 | 1,41,069 | 36,67,790 | PUC |
| 2011-12 | 20110908 | CHINA P RP | 73049000 | CARBON STEEL SEAMLESS PIPES ASTM 106 GR B | 26.00 | 50,024 | 13,00,615 | PUC |
| 2011-12 | 20110920 | CHINA P RP | 73049000 | CARBON SEAMLESS STEEL PIPES OD 89 MM. | 26.00 | 48,465 | 12,60,082 | PUC |
| 2011-12 | 20110905 | CHINA P RP | 73049000 | CARBON STEEL SEAMLESS PIPE ASTM A 106 GR B 194 X 25 MM | 26.00 | 43,650 | 11,34,900 | PUC |
| 2011-12 | 20110917 | CHINA P RP | 73049000 | CARBON STEEL SEAMLESS PIPES ASTM GRB A 106-B | 26.00 | 42,706 | 11,10,353 | PUC |
| 2011-12 | 20110829 | CHINA P RP | 73049000 | CARBON STEEL SEAMLESS PIPES ASTM A106 GR.B | 26.00 | 34,481 | 8,96,495 | PUC |
| 2011-12 | 20110916 | CHINA P RP | 73043939 | CARBON STEEL SEAMLESS PIPE GRADE: ASTM A 106 GRB SIZE: 26.7*3.91*5000-5800 MM | 25.87 | 49,809 | 12,88,546 | PUC |
| 2011-12 | 20110829 | U S A | 73043939 | CARBON STEEL SEAMLESS PIPE GRADE: ASTM A 106 GRB SIZE: 21.3* 3.73*5000-5800 MM | 25.32 | 42,913 | 10,86,566 | PUC |
| 2011-12 | 20110824 | CHINA P RP | 73049000 | CARBON STEEL SEAMLESS PIPE ASTM A106 GR -B SIZE 193.7X6.35X5000-7000 MM | 25.00 | 43,791 | 10,94,779 | PUC |
| 2011-12 | 20110907 | CHINA P RP | 73049000 | COLD DRAWN SEAMLESS STEEL PIPE AS PER ASTM A106/A53/API 5L GR. B. | 25.00 | 34,406 | 8,60,142 | PUC |
| 2011-12 | 20110830 | CHINA P RP | 73049000 | SECONDARY CARBON STEEL SEAMLESS PIPES MIX SIZES MIX THICKNESS | 25.00 | 27,292 | 6,82,301 | PUC |
| 2011-12 | 20110830 | CHINA P RP | 73049000 | SECONDARY CARBON STEEL SEAMLESS PIPES MIXED SIZES | 25.00 | 27,076 | 6,76,899 | PUC |
| 2011-12 | 20110819 | CHINA P RP | 73049000 | SEAMLESS MILD STEEL TUBE (ODXID,MM) 140X120X5800MM | 24.98 | 60,820 | 15,19,476 | PUC |
| 2011-12 | 20110823 | FRANCE | 73041110 | STEEL TUBE - EN10210-1/2 S355J2H (150 X 100 X 8 MM RECUIT) | 24.74 | 87,267 | 21,59,244 | PUC |
| 2011-12 | 20110903 | CHINA P RP | 73049000 | CARBON STEEL SEAMLESS PIPES CONFIRMING TO ASTM A519 | 24.50 | 34,363 | 8,41,899 | PUC |
| 2011-12 | 20110921 | U S A | 73069090 | A519 COLD DRAWN SEAMLESS TUBING (SIZE: 244.6MM OD X 186.94MM ID) | 24.25 | 92,563 | 22,44,395 | PUC |
| 2011-12 | 20110824 | GERMANY | 73049000 | CARBON STEEL SEAMLESS PIPE SIZE 228 OD 18 THK 4860MM(228*18*4860MM) | 24.00 | 48,201 | 11,56,817 | PUC |
| 2011-12 | 20110909 | U S A | 73049000 | CARBON STEEL SEAMLESS PIPES | 24.00 | 41,818 | 10,03,637 | PUC |
| 2011-12 | 20110906 | JAPAN | 73049000 | SECONDARY SEAMLESS CARBON STEEL PIPES | 24.00 | 37,648 | 9,03,541 | PUC |
| 2011-12 | 20110830 | U S A | 73049000 | CARBON STEEL SECONDARY DEFECTIVE SEAMLESS PIPE | 24.00 | 33,274 | 7,98,587 | PUC |
| 2011-12 | 20110912 | KUWAIT | 73049000 | SECONDARY CARBON STEEL PIPES SEAMLESS | 24.00 | 27,926 | 6,70,235 | PUC |
| 2011-12 | 20110829 | U K | 73049000 | SECONDARY SECOND CHOICE CARBON STEEL SEAMLESS PIPES | 24.00 | 26,899 | 6,45,584 | PUC |
| 2011-12 | 20110914 | CHINA P RP | 73043119 | SEAMLESS STEEL PIPES API 5L GR. B 42.5 X 5.5 X 5000-5800MM | 23.94 | 50,926 | 12,18,907 | PUC |
| 2011-12 | 20110907 | CHINA P RP | 73049000 | CARBON STEEL SEAMLESS PIPES | 23.00 | 33,069 | 7,60,583 | PUC |
| 2011-12 | 20110901 | FRANCE | 73043119 | PLAIN END SEAMS.TUBES/PIPES(COLD DRN.SEM.CRN.STEEL DRLG.TUBE/PIPE)OUT DIA.88.90 | 22.81 | 1,21,697 | 27,75,551 | PUC |
| 2011-12 | 20110922 | CHINA P RP | 73043911 | SEAMLESS STEEL TUBESIZE : 61.0 X 6.0 | 22.70 | 66,566 | 15,10,793 | PUC |
| 2011-12 | 20110921 | SWITZERLAND | 73043121 | SEAMLESS STEEL TUBE STEEL GRADE S355 J2H SIZE:267MM ODX28MMEN10210,2-2006 | 22.62 | 72,352 | 16,36,423 | PUC |
| 2011-12 | 20110803 | CHINA P RP | 73043139 | CDS READY TO HONE TUBE (OD 112 X ID 88 MM) NET QTY 135.94 MTR | 22.19 | 80,232 | 17,80,349 | PUC |
| 2011-12 | 20110908 | CHINA P RP | 73049000 | PIN STEEL TUBE SCM415H OD12.30MM X ID8.00MM LENGTH:3000MM-5000MM | 22.00 | 1,20,724 | 26,55,920 | PUC |
| 2011-12 | 20110902 | CHINA P RP | 73045920 | HOT FINISHED CARBON STEEL SEAMLESS MOTHER PIPES [168.3MM X 19.05MM X 9.85M X | 22.00 | 56,621 | 12,45,672 | PUC |
| 2011-12 | 20110830 | CHINA P RP | 73042390 | C.S. SEAMLESS PIPES 73X5.4X5.4M | 22.00 | 50,699 | 11,15,386 | PUC |
| 2011-12 | 20110907 | CHINA P RP | 73045930 | SEAMLESS STEEL TUBES - 203 X 180 | 21.95 | 74,944 | 16,44,948 | PUC |
| 2011-12 | 20110912 | SINGAPORE | 73041110 | ALLOY SEAMLESS STEEL TUBES ASME SA179 19.05 OD X 2.11 WT X 6100 LG | 20.67 | 1,60,400 | 33,14,914 | PUC |
| 2011-12 | 20110906 | CHINA P RP | 73049000 | ALLOY STEEL SEAMLESS TUBE 20 CR (20.4 X 8.0) (OD X IM)MM | 20.56 | 72,916 | 14,99,447 | PUC |
| 2011-12 | 20110922 | CHINA P RP | 73049000 | ALLOY STEEL SEAMLESS TUBE 20CR (28.6X14 OD X ID MM) | 20.32 | 74,005 | 15,03,996 | PUC |
| 2011-12 | 20110909 | U K | 73041910 | PIPE, SEAMLESS, FOR C & K LINE, 5 OD X 1 , 20 PIPES, OSK P/N API 5L-GRX80, 5 | 20.00 | 2,25,272 | 45,05,446 | PUC |
| 2011-12 | 20110902 | SINGAPORE | 73041910 | PIPE -4 NB SMLS PIPE SCH XXS, A519 4130 | 20.00 | 39,494 | 7,89,885 | PUC |
| 2011-12 | 20110825 | U S A | 73049000 | CARBON STEEL SECONDARY /DEFECTIVE SEAMLESS PIPES | 20.00 | 25,393 | 5,07,864 | PUC |
| 2011-12 | 20110906 | CHINA P RP | 73043919 | COLD DRAWN STEEL TUBE (113X6.75 MM) | 20.00 | 73,322 | 14,66,445 | PUC |

**Import Data from DGCIS [All Countries PUC]
Apr 2009 to Jun 2012**

| Year | Date | Country | ITC-HS | Item-Des | Quantity (MT) | Price (Rs./MT) | Value (Rs) | PUC/ NPUC |
|---------|----------|-----------------|----------|---|---------------|----------------|------------|--------------|
| 2011-12 | 20110825 | CHINA P RP | 73043939 | COLD DRAWN NON ALLOY STEEL SEAMLESS TUBES GRADE AISI 1035 SIZE 48.2 *37 (CARBON | 20.00 | 57,373 | 11,47,469 | PUC |
| 2011-12 | 20110829 | JAPAN | 73049000 | BEARING QUALITY STEEL TUBES SAE52100 OD62.90MM X WT4.85MM | 19.69 | 1,02,328 | 20,14,936 | PUC |
| 2011-12 | 20110901 | CHINA P RP | 73043119 | SKIVED & BURNISHED TUBES(ID-125MM. X OD-140MM.) | 19.54 | 77,273 | 15,09,760 | PUC |
| 2011-12 | 20110901 | CHINA P RP | 73043119 | SKIVED & BURNISHED TUBES(ID-125MM. X OD-140MM.) | 19.54 | 77,273 | 15,09,760 | PUC |
| 2011-12 | 20110901 | CHINA P RP | 73043119 | SKIVED & BURNISHED TUBES(ID-140MM. X OD-160MM.) | 19.50 | 77,280 | 15,06,806 | PUC |
| 2011-12 | 20110922 | TURKEY | 73049000 | CARBON SEAMLESS STEEL TUBE API 5L ASTM A 106 GR.B (OD 127.00MM X WT 15.88 MM (A | 19.21 | 47,016 | 9,03,309 | PUC |
| 2011-12 | 20110901 | INDONESIA | 73043119 | SKIVED & BURNISHED TUBES(ID-80MM. X OD-92MM.) | 19.01 | 77,273 | 14,69,037 | PUC |
| 2011-12 | 20110915 | CHINA P RP | 73043119 | SEAMLESS STEEL TUBES BK LENGTH 5-5.8 METER(16MN)28.20 MM X 6.95 X 5000-5800 MM | 19.00 | 56,934 | 10,81,741 | PUC |
| 2011-12 | 20110909 | U S A | 73041990 | CARBON STEEL SEAMLESS PIPES SPEC SA106 | 18.23 | 1,31,829 | 24,03,499 | PUC |
| 2011-12 | 20110906 | CHINA P RP | 73049000 | ALLOY STEEL SEAMLESS STEELTUBES 51.55 MM X W/TH 6.35 MM | 18.14 | 1,94,849 | 35,34,743 | PUC |
| 2011-12 | 20110903 | U S A | 98010013 | SEAMLESS CARBON STEEL PIPES (S37/25/2010) (SA106 GRB) (252.00MTR@50.80PER/MTR) | 18.00 | 69,849 | 12,57,282 | PUC |
| 2011-12 | 20110819 | CHINA P RP | 73041190 | COLD DRAWN SEAMLESS STEEL TUBE 5-5.8M(48.3X5.5/48X3/72X9.5) | 18.00 | 80,880 | 14,55,846 | PUC |
| 2011-12 | 20110921 | SWITZERLAND | 73043121 | SEAMLESS STEEL TUBE STEEL GRADE S355 J2H SIZE:267MM ODX28MMEN10210,2-2006 | 17.99 | 72,261 | 13,00,329 | PUC |
| 2011-12 | 20110827 | JAPAN | 73049000 | COLD DRAWN SEAMLESS TUBE(PIN STEEL) ITEM NO.RGPS039 14.15(+0.08/-0)X10.0(+/- | 17.89 | 2,83,230 | 50,67,831 | PUC |
| 2011-12 | 20110827 | JAPAN | 73049000 | COLD DRAWN SEAMLESS TUBE (PIN STEEL) ITEM NO.RGPS043 17.15(+0.08/-0) X12.0(| 17.04 | 2,80,302 | 47,75,497 | PUC |
| 2011-12 | 20110902 | CHINA P RP | 73045920 | HOT FINISHED CARBON STEEL SEAMLESS MOTHER PIPES [168.3MM X19.05MM X 9.85M X 24 | 17.00 | 58,604 | 9,96,263 | PUC |
| 2011-12 | 20110905 | CHINA P RP | 73043129 | NON ALLOY STEEL SEAMLESS PIPES API 5L GRADE B 194MMX10MM | 17.00 | 44,797 | 7,61,555 | PUC |
| 2011-12 | 20110906 | CHINA P RP | 73043129 | READY TO HONE TUBE 116X100XL (SEAMLESS STEEL) NT QTY 220.5MTR/60 PCS | 16.91 | 82,431 | 13,93,748 | PUC |
| 2011-12 | 20110922 | UNSPECIFIED | 73043919 | CARBON STEEL SEAMLESS TUBES (SIZE 60 MM X 50 MM) | 16.88 | 60,049 | 10,13,455 | PUC |
| 2011-12 | 20110915 | U S A | 73069090 | A519 COLD DRAWN SEAMLESS TUBING (SIZE: 273.05MM OD X 188.91MM ID) | 16.54 | 1,46,096 | 24,16,599 | PUC |
| 2011-12 | 20110921 | GERMANY | 73043911 | SEAMLESS TUBULAR (API 5L GRADE X52 PSL2) | 16.00 | 1,52,595 | 24,41,519 | PUC |
| 2011-12 | 20110908 | ITALY | 98010013 | SEAMLESS CARBON STEEL PIPES (TO SPEC SA106) (S37/25/2010 GR6) (1 NUM @ EUR1725 | 16.00 | 1,45,073 | 23,21,170 | PUC |
| 2011-12 | 20110921 | GERMANY | 73043911 | SEAMLESS TUBULAR (API 5L GRADE X52 PSL2) | 16.00 | 1,05,060 | 16,80,955 | PUC |
| 2011-12 | 20110919 | U K | 73043119 | STEEL SEAMLESS PIPE SIZE DIA 89X6MM THICK LENGTH 3-6MTR | 16.00 | 51,409 | 8,22,538 | PUC |
| 2011-12 | 20110928 | U S A | 73069090 | SECONDARY/DEFECTIVE M.S. PIPES OF VARIOUS SIZE | 16.00 | 26,182 | 4,18,909 | PUC |
| 2011-12 | 20110912 | CHINA P RP | 73043119 | HONED TUBE (OD 92MM X ID 80MM X LG5.52M) | 15.11 | 66,033 | 9,97,766 | PUC |
| 2011-12 | 20110909 | CHINA P RP | 73041910 | C.R. ALLOY STEEL TUBE FOR BEARING SUJ2Z JC OD64070MM X WT8.50MM | 15.00 | 1,11,154 | 16,67,309 | PUC |
| 2011-12 | 20110916 | JAPAN | 73049000 | BEARING QUALITY STEEL TUBES SAE52100 OD39.15MM X WT7.90MM | 14.89 | 1,21,133 | 18,03,432 | PUC |
| 2011-12 | 20110913 | GERMANY | 73041990 | API 5L GRADE X60 BE WT 23.8MM. NACE MR-01-75/ISO-15156 -1/2/3 20 X25.4 MM THK (| 14.02 | 56,896 | 7,97,629 | PUC |
| 2011-12 | 20110905 | CHINA P RP | 73043119 | NON ALLOY STEEL SEAMLESS PIPES API 5L GRADE B 114.3MMX12.5MM | 14.00 | 86,637 | 12,12,917 | PUC |
| 2011-12 | 20110926 | CHINA P RP | 73045110 | SEAMLESS STEEL TUBES (COLD ROLLED CARBON STEEL TUBES ASTM A519 GRADE 37MN5 (SIZ | 14.00 | 65,459 | 9,16,421 | PUC |
| 2011-12 | 20110912 | CHINA P RP | 73043119 | HYDRAULIC CYLINDER TUBE (SIZE: 95 X 80 MM) | 13.81 | 53,758 | 7,42,381 | PUC |
| 2011-12 | 20110905 | VIETNAM SOC REP | 98010013 | SEAMLESS CARBON STEEL PIPES TO SPEC SA 106 (36 MTRS @ USD 1132.39/MTR) (S37/25/ | 12.00 | 1,58,209 | 18,98,513 | PUC |
| 2011-12 | 20110905 | JAPAN | 98010013 | SEAMLESS CARBON STEEL PIPES (S37/26/2010/GR6) (SA106 GRC) (16.200MTR@1656.86PER | 12.00 | 1,56,872 | 18,82,469 | PUC |
| 2011-12 | 20110921 | ITALY | 73049000 | PIPE BE API 5L - B SAW NC 10 24 (CRUDE REFINERY PROJECT) | 11.60 | 1,13,962 | 13,21,732 | PUC |
| 2011-12 | 20110825 | CHINA P RP | 73041910 | SEAMLESS STEEL TUBE GRADE SAE52100/GCR15 (SIZE 48.0 X 6.5) | 11.60 | 66,132 | 7,66,868 | PUC |
| 2011-12 | 20110905 | ROMANIA | 98010013 | SEAMLESS CARBON STEEL PIPES (TO SPEC SA106) (S37/26/2010/GR6)(90.00MTR@166.45P | 11.00 | 91,627 | 10,07,892 | PUC |
| 2011-12 | 20110921 | CHINA P RP | 73043119 | COLD DRAWN SEAMLESS HYDRAULIC AND PNEUMATIC LINE PIPES (ROUND:28X4X24) (COO:AUS | 10.96 | 81,901 | 8,97,300 | PUC |
| 2011-12 | 20110923 | JAPAN | 73049000 | BEARING QUALITY STEEL TUBES SAE52100 OD62.90MM X WT6.15MM (CERT.NO.110001053178 | 10.42 | 1,07,648 | 11,21,157 | PUC |
| 2011-12 | 20110922 | SWEDEN | 73041190 | TUBE A\SANICRO 28\SMLS MIRROR FINISH\OD 12MM\1.5MM THK\NS\SANDVIK | 10.00 | 1,29,983 | 12,99,832 | PUC |
| 2011-12 | 20110914 | FRANCE | 73043911 | CS NACE SEAMLESS TUBULAR (API 5L-GRADE B/ASTM-A-106) SIZE: 16 | 10.00 | 1,00,074 | 10,00,737 | PUC |

**Import Data from DGCIS [All Countries PUC]
Apr 2009 to Jun 2012**

| Year | Date | Country | ITC-HS | Item-Des | Quantity (MT) | Price (Rs./MT) | Value (Rs) | PUC/ NPUC |
|---------|----------|--------------|----------|---|---------------|----------------|------------|--------------|
| 2011-12 | 20110912 | CHINA P RP | 73043939 | SEAMLESS CARBON STEEL PIPES - GRADE:API SPEC 5L B PSL 1/ASTM A106 B, SIZE: 88.9 | 10.00 | 45,200 | 4,52,003 | PUC |
| 2011-12 | 20110907 | CHINA P RP | 73043919 | SEAMLESS STEEL PIPES - GRADE:ASTM 106 GR.B/API 5LGR.B/A53,SIZE: 114.3MM OD X 6 | 10.00 | 43,688 | 4,36,884 | PUC |
| 2011-12 | 20110907 | SOUTH AFRICA | 73041990 | OILWELL EQUIPMENT: PIPE CS SMLS.4 . SCH 40/STD.API 5L/A106GRB/X42.PSL 2.12 MT | 9.75 | 1,31,402 | 12,81,035 | PUC |
| 2011-12 | 20110829 | TAIWAN | 73049000 | BEARING QUALITY STEEL TUBES SAE52100 OD57.90MM X WT6.55MM | 9.63 | 99,591 | 9,59,463 | PUC |
| 2011-12 | 20110906 | CHINA P RP | 73043919 | COLD DRAWN STEEL TUBE (16X 2 MM) | 9.00 | 1,42,381 | 12,81,433 | PUC |
| 2011-12 | 20110916 | CHINA P RP | 73045110 | BEARING QUALITY STEEL TUBE SAE52100 : (SIZE:40.5*3.9) | 8.69 | 68,428 | 5,94,780 | PUC |
| 2011-12 | 20110826 | ITALY | 73041110 | PIPES -B36.10,ASTM A333 GR.6,SMLS,NORMALISED,BE,RCAT 1 DIAM.10 THK 6.35 MM RCA | 8.62 | 1,05,288 | 9,07,368 | PUC |
| 2011-12 | 20110924 | CHINA P RP | 73045110 | COLD DRAWN READY TO HONE PRECISION TUBE (57X38) | 8.28 | 88,476 | 7,32,802 | PUC |
| 2011-12 | 20110919 | U K | 73043119 | STEEL SEAMLESS PIPE SIZE DIA 82X7MM THICK LENGTH 3-6MTR | 8.00 | 47,955 | 3,83,641 | PUC |
| 2011-12 | 20110829 | CHINA P RP | 73049000 | SEAMLESS ROLL TUBE 76X6.0 MM | 8.00 | 47,455 | 3,79,642 | PUC |
| 2011-12 | 20110831 | OMAN | 73045110 | BEARING QUALITY STEEL TUBE SAE52100 : (SIZE : 42.7*6.3) | 7.72 | 65,709 | 5,07,471 | PUC |
| 2011-12 | 20110914 | JAPAN | 73045910 | HOT FINISHED SEAMLESS C/A STEEL PIPES GR.SA106M-B SIZE:219.10 ODX42.00 WTX6000 | 7.68 | 86,727 | 6,66,240 | PUC |
| 2011-12 | 20110923 | CHINA P RP | 73041190 | SEAMLESS HOLLOW SECTION 100X80X10MM | 7.55 | 98,228 | 7,41,522 | PUC |
| 2011-12 | 20110830 | CHINA P RP | 73041190 | SEAMLESS STEEL LINE PIPE SIZE :219.30MMX11.30MMX11800MM(IN MTS 10.520) | 7.19 | 1,26,880 | 9,12,274 | PUC |
| 2011-12 | 20110914 | CHINA P RP | 73049000 | A2V00001993206 TUBE HFCHS (7.76 M) (STEEL TUBES RO 203 X 50) (ORIGIN : AUSTRIA) | 7.07 | 1,35,132 | 9,55,115 | PUC |
| 2011-12 | 20110915 | CHINA P RP | 73062919 | SEAMLESS TUBE : 54*5*3.5. MATERIAL : 42CRMO4 | 7.00 | 99,400 | 6,95,798 | PUC |
| 2011-12 | 20110907 | CHINA P RP | 73049000 | PIN STEEL TUBE SCM415H 23.35 X 11 MM | 6.98 | 2,87,859 | 20,09,546 | PUC |
| 2011-12 | 20110912 | CHINA P RP | 73043129 | HYDRAULIC CYLINDER TUBE (SIZE: 115 X 100 MM) | 6.70 | 91,355 | 6,12,354 | PUC |
| 2011-12 | 20110924 | CHINA P RP | 73045120 | COLD DRAWN READY TO HONE PRECISION TUBE (125X145) | 6.53 | 99,174 | 6,47,376 | PUC |
| 2011-12 | 20110906 | U S A | 73041990 | PIPE A106 | 6.50 | 1,92,402 | 12,51,000 | PUC |
| 2011-12 | 20110914 | JAPAN | 73045110 | SEAMLESS STEEL TUBES (COLD DRAWN SEAMLESS CARBON STEEL TUBES GRADE: SAE 1541(SI | 6.00 | 1,23,676 | 7,42,055 | PUC |
| 2011-12 | 20110824 | KOREA RP | 73049000 | CARBON STEEL SEAMLESS TUBE ASME SA 210 GR.A1 (63.5 X 6.35 X6100MM) | 6.00 | 48,621 | 2,91,726 | PUC |
| 2011-12 | 20110908 | CHINA P RP | 73043911 | SEAMLESS CARBON STEEL PIPES (TO SPEC SA 106)SIZE: 26.7 MM X 7.82 MM,33.4 MM X | 6.00 | 88,548 | 5,31,290 | PUC |
| 2011-12 | 20110822 | CHINA P RP | 73043931 | 73043931 SEAMLESS PIPES(CARBON STEEL)TO SPEC.SA106 | 5.14 | 4,63,929 | 23,85,816 | PUC |
| 2011-12 | 20110913 | U ARAB EMTS | 73069090 | SECONDARY & DEFECTIVE PIPES | 5.00 | 20,626 | 1,03,131 | PUC |
| 2011-12 | 20110912 | CHINA P RP | 73041110 | SEAMLESS STEEL PIPE(OUTER DIAMETER X WALL THICKNESS XLENGTH 60.3 X 4 X 1000MM) | 5.00 | 64,099 | 3,20,497 | PUC |
| 2011-12 | 20110919 | ITALY | 73043139 | COLD DRAWN SEAMLESS TUBES AND HOT ROLLED SEAMLESS TUBES (MM210 X 15) | 4.67 | 1,39,719 | 6,52,208 | PUC |
| 2011-12 | 20110906 | CHINA P RP | 73043119 | READY TO HONE TUBE 95X80XL (SEAMLESS STEEL) NT QTY 274 MTR/75 PCS | 4.44 | 86,134 | 3,82,003 | PUC |
| 2011-12 | 20110922 | UNSPECIFIED | 73043919 | CARBON STEEL SEAMLESS TUBES (SIZE 85 MM X 70 MM) | 4.27 | 60,049 | 2,56,351 | PUC |
| 2011-12 | 20110930 | THAILAND | 73069090 | CARBON STEEL PIPE 9 X 0.6 X 2200 MM | 4.10 | 1,54,204 | 6,32,715 | PUC |
| 2011-12 | 20110920 | GERMANY | 73049000 | SEAMLESS BOILER TUBES ACC.TO DIN 17175/2448 EN 10216-2 (35PCS) | 4.06 | 1,69,703 | 6,88,145 | PUC |
| 2011-12 | 20110913 | U S A | 73049000 | M.S.SECONDARY SEAMLESS STEEL TUBES MIXED SIZES | 4.00 | 26,597 | 1,06,387 | PUC |
| 2011-12 | 20110902 | CHINA P RP | 73045920 | HOT FINISHED CARBON STEEL SEAMLESS MOTHER PIPES [127MM X 9.12MM X 5.55M X 25] | 4.00 | 57,529 | 2,30,117 | PUC |
| 2011-12 | 20110920 | CHINA P RP | 73049000 | SECONDARY CARBON STEEL SEAMLESS PIPE IN MIXED SIZES | 4.00 | 28,480 | 1,13,918 | PUC |
| 2011-12 | 20110826 | ITALY | 73041110 | PIPES -8 36.10,API 5L GR.B,SMLS,BE,ACAT3 DIA.8 W.T. 6.35MM ACAT3 1120230 S.NO N | 3.90 | 1,22,021 | 4,75,880 | PUC |
| 2011-12 | 20110916 | ITALY | 73069090 | COLD DRAWN SMLS TUBES E355+SR EN 10305/1 (SIZE:MM 180X 7.5) | 3.35 | 1,68,964 | 5,66,242 | PUC |
| 2011-12 | 20110912 | CHINA P RP | 73043139 | HONED TUBE (OD 82MM X ID 70MM X LG2.40-4.38M) | 3.18 | 71,487 | 2,27,586 | PUC |
| 2011-12 | 20110905 | ITALY | 73049000 | CARBON STEEL SECONDARY SEAMLESS PIPES MIX SIZES MIX THICKNESS MIX LOT | 3.00 | 25,137 | 75,411 | PUC |
| 2011-12 | 20110921 | CHINA P RP | 73069011 | MILD STEEL TUBE GRADE ST52.3 SIZE: 137/1500MM [QTY 30 PCS] | 2.85 | 1,27,445 | 3,63,728 | PUC |
| 2011-12 | 20110912 | CHINA P RP | 73043139 | HYDRAULIC CYLINDER TUBE (SIZE: 250 X 220 MM) | 2.52 | 80,017 | 2,01,793 | PUC |
| 2011-12 | 20110922 | UNSPECIFIED | 73043919 | CARBON STEEL SEAMLESS TUBES (82 MMX 70 MM) | 2.09 | 60,049 | 1,25,743 | PUC |

**Import Data from DGCIS [All Countries PUC]
Apr 2009 to Jun 2012**

| Year | Date | Country | ITC-HS | Item-Des | Quantity (MT) | Price (Rs./MT) | Value (Rs) | PUC/ NPUC |
|---------|----------|------------|----------|---|---------------|----------------|--------------|--------------|
| 2011-12 | 20110922 | BELGIUM | 73049000 | M.S SEAMLESS PIPE SECONDRY MIX | 2.00 | 26,047 | 52,093 | PUC |
| 2011-12 | 20110825 | U S A | 73049000 | CARBON STEEL SECONDARY /DEFECTIVE SEAMLESS PIPES | 2.00 | 24,345 | 48,689 | PUC |
| 2011-12 | 20110824 | CHINA P RP | 73042390 | NYLON MATERIALS (NYLON GRANULES) (CHAIR COMPONENTS) | 2.00 | 73,052 | 1,46,103 | PUC |
| 2011-12 | 20110914 | U S A | 73041990 | P121977Z00819ZZZZ PIPE B - 36.1-0 , ASTM A 106 GR.B, BE , SEAMLESS , 1.5 INCH , | 1.99 | 1,55,670 | 3,09,161 | PUC |
| 2011-12 | 20110822 | CHINA P RP | 73042990 | SUPPLY OF EUE PRODUCTION TUBINGS AND PUP JOINTSTUBING 2 3/8 OD EUE 4.7 PPF L-80 | 1.45 | 93,158 | 1,34,895 | PUC |
| 2011-12 | 20110914 | CHINA P RP | 73043939 | A2V00370002142 RO DIN 2448-60, 3X16-ST52.0 (60.04 M) (STEELTUBES RO 60.3 X 16) | 1.35 | 1,19,276 | 1,60,903 | PUC |
| 2011-12 | 20110905 | GERMANY | 73043119 | COLD DRAWN SEAMLESS HYDRAULIC PRECISION STEEL TUBES (ROUND:28X24X2) COO:AUSTRIA | 1.20 | 1,56,712 | 1,87,366 | PUC |
| 2011-12 | 20110902 | ITALY | 73043119 | 55217638 PIPE (FOR CAPTIVE USE) | 1.00 | 1,12,177 | 1,12,177 | PUC |
| 2011-12 | 20110905 | JAPAN | 73043129 | NON ALLOY STEEL SEAMLESS PIPES API 5L GRADE B 127.0MMX22.0MM | 1.00 | 73,863 | 73,863 | PUC |
| 2011-12 | 20110916 | CHINA P RP | 73041990 | PIPE- 1.5 INCH SCHXS IBR(48.3 OD X 5.08 WT X 5000 - 5800 LG) | 0.94 | 3,98,694 | 3,74,374 | PUC |
| 2011-12 | 20110903 | ROMANIA | 73043921 | SEAMLESS CARBON STEEL PIPES (TO SPEC SA106) (13.00MTR@68.07PER/MTR) | 0.55 | 74,929 | 41,211 | PUC |
| 2011-12 | 20110914 | CHINA P RP | 73043129 | A2V00370030902 TUBE HFCHS (11.31 M) (STEEL TUBES RO 152.4 X8) (ORIGIN : AUSTRIA | 0.32 | 1,10,627 | 35,622 | PUC |
| 2011-12 | 20110906 | CHINA P RP | 73041910 | PIPES (STEEL PIPES)(INJECTION MACHINE PARTS) | 0.26 | 1,24,604 | 31,774 | PUC |
| 2011-12 | 20110924 | U S A | 73041190 | SA312 UNS S31254 SMOSEAMLESS PIPE 20 NB (3/4 INCH) X SCH80S(3.9MM WALL THICK) | 0.15 | 1,98,240 | 29,736 | PUC |
| 2011-12 | 20110902 | NETHERLAND | 73041990 | PIPE 168,3X04,5 E10216 P23STR2 000.001.151.201 (PARTS FOR GEARBOX) | 0.11 | 30,475 | 3,325 | PUC |
| 2011-12 | 20110914 | SAUDI ARAB | 73049000 | SECONDARY SECOND CARBON STEEL SEAMLESS/ WELDED PIPES MIXED THICKNESS MIXED LOT. | 0.10 | 47,340 | 4,734 | PUC |
| 2011-12 | 20110914 | SAUDI ARAB | 73049000 | SECONDARY SECOND CARBON STEEL SEAMLESS/ WELDED PIPES MIXED THICKNESS MIXED LOT. | 0.10 | 47,340 | 4,734 | PUC |
| 2011-12 | 20110915 | SAUDI ARAB | 73049000 | SECONDARY SECOND CARBON STEEL SEAMLESS/ WELDED PIPES MIXED THICKNESS MIXED LOT. | 0.10 | 47,340 | 4,734 | PUC |
| 2011-12 | 20110830 | U S A | 73049000 | CARBON STEEL SECONDARY DEFECTIVE SEAMLESS PIPE | 0.10 | 20,140 | 2,014 | PUC |
| 2011-12 | 20110816 | CHINA P RP | 73043119 | ORIGINAL SEAMLESS STEEL PIPE ASTM A-106 GRADE B/API 5LWITH MARKING 139.7X | 0.10 | 98,950 | 9,895 | PUC |
| 2011-12 | 20110910 | U S A | 73041910 | PIPE, STEEL, LINE 1/2 IN SCH 80 SEAMLESS, 21 FT SINGLE RANDOM LENGTH PLAIN END | 0.06 | 1,87,333 | 11,802 | PUC |
| 2011-12 | 20110902 | NETHERLAND | 73041990 | PIPE 168,3X04,5 E10216 P23STR2 000.001.151.201 (PARTS FOR GEARBOX) | 0.05 | 51,473 | 2,808 | PUC |
| 2011-12 | 20110824 | CHINA P RP | 73041910 | TUBE, 38MM VA20248 PO NUMBER 1106-023 2PCS (PARTS OF VACCUMCLEANER) | 0.01 | 51,700 | 517 | PUC |
| 2011-12 | 20110914 | CHINA P RP | 73043119 | SEAMLESS STEEL PIPES API 5L GR. B 42.5 X 5.5 X 5000-5800MM | 0.001 | 51,000 | 51 | PUC |
| 2011-12 | 20110906 | CHINA P RP | 73043119 | SEAMLESS STEEL PIPES API 5L GR. B 42.5 X 5.5 X 5000-5800MM | 0.001 | 51,000 | 51 | PUC |
| 2011-12 | 20110930 | BELGIUM | 73041990 | HOT FINISHED SEAMLESS LINE PIPES-168.30X17.5X11000-12700MM-(S.C NO:013/2011-12 | 1,885.74 | 1,23,268 | 23,24,51,440 | PUC |
| 2011-12 | 20110914 | U K | 73042990 | REGULAR SIZE CASING PIPES (13-3/8 , 9-5/8 ,7 AND 5-1/2),P-110, 47PPF BTC | 1,573.14 | 56,141 | 8,83,18,384 | PUC |
| 2011-12 | 20110930 | CHINA P RP | 73043911 | SEAMLESS CARBON STEEL TUBES (4510.00MTR@ USD 18.12 PER/MTR) | 992.00 | 70,103 | 6,95,42,505 | PUC |
| 2011-12 | 20110915 | U K | 73042990 | REGULAR SIZE CASING PIPES (13-3/8 , 9-5/8 , 7 AND 5-1/2)P-110, 47PPF BTC | 929.94 | 56,142 | 5,22,09,029 | PUC |
| 2011-12 | 20110915 | U K | 73042990 | REGULAR SIZE CASING PIPES (13-3/8 , 9-5/8 , 7 AND 5-1/2)P-110, 47PPF BTC | 908.75 | 56,142 | 5,10,18,966 | PUC |
| 2011-12 | 20110923 | U K | 73042990 | REGULAR SIZE CASING PIPES (13-3/8 ,9-5/8 ,7 AND 5-1/2)9-5/8 , N-80 47#, BTC (| 907.70 | 51,650 | 4,68,82,917 | PUC |
| 2011-12 | 20110929 | SLOVENIA | 73049000 | SEAMLESS CARBON STEEL LINE PIPES (OD21.30 TO OD 273.00) | 889.00 | 38,440 | 3,41,73,206 | PUC |
| 2011-12 | 20110923 | U K | 73042990 | REGULAR SIZE CASING PIPES (13-3/8 ,9-5/8 ,7 AND 5-1/2)9-5/8 , N-80 47#, BTC (| 837.90 | 51,650 | 4,32,77,558 | PUC |
| 2011-12 | 20111020 | CHINA P RP | 98010013 | SEAMLESS CARBON STEEL TUBES (TO SPEC SA 210)SIZE AS PER INVOICE CIF:RS.5495587 | 732.00 | 75,076 | 5,49,55,873 | PUC |
| 2011-12 | 20110930 | CHINA P RP | 73043911 | SEAMLESS CARBON STEEL TUBES (SA210 GRC) (62353.800MTR@USD 11.99PER/MTR) | 629.00 | 69,758 | 4,38,77,973 | PUC |
| 2011-12 | 20111019 | CHINA P RP | 73043911 | 73043911 CARBON STEEL SEAMLESS HOLLOW(S TO SPEC.SA210) | 615.00 | 69,529 | 4,27,60,215 | PUC |
| 2011-12 | 20110929 | CHINA P RP | 73043911 | HOT FINISHED SEAMLESS STEEL TUBES (34CRMO4) SIZE: 267MM X 7.7MM | 541.00 | 60,058 | 3,24,91,283 | PUC |
| 2011-12 | 20111017 | CHINA P RP | 73049000 | CARBON STEEL SEAMLESS HOT FINISHED MOTHER PIPES ASTM A 106GR.B BEVEL ENDS SIZE | 439.00 | 45,689 | 2,00,57,463 | PUC |
| 2011-12 | 20110923 | U K | 73042990 | REGULAR SIZE CASING PIPES (13-3/8 ,9-5/8 ,7 AND 5-1/2)9-5/8 , N-80 47#, BTC (| 418.85 | 51,652 | 2,16,34,464 | PUC |
| 2011-12 | 20111005 | CHINA P RP | 73042990 | 5 1/2 20# N80 BTC PUP JOINT (8MTR) | 409.41 | 40,329 | 1,65,11,335 | PUC |
| 2011-12 | 20110914 | U K | 73042990 | REGULAR SIZE CASING PIPES. (13-3/8 ,9-5/8 ,7 AND 5-1/2)7 OD P-110 29PPF BTC | 398.85 | 56,146 | 2,23,93,938 | PUC |

**Import Data from DGCIS [All Countries PUC]
Apr 2009 to Jun 2012**

| Year | Date | Country | ITC-HS | Item-Des | Quantity (MT) | Price (Rs./MT) | Value (Rs) | PUC/ NPUC |
|---------|----------|------------|----------|---|---------------|----------------|-------------|--------------|
| 2011-12 | 20110929 | ROMANIA | 73049000 | STOCK LOT CARBON STEEL SEAMLESS LINE PIPES | 394.00 | 30,304 | 1,19,39,805 | PUC |
| 2011-12 | 20110927 | CHINA P RP | 73042990 | HOT ROLLED (C-MN) SEAMLESS STEEL TUBE OD 232MM X 5.4MM (37MN) | 351.00 | 59,785 | 2,09,84,476 | PUC |
| 2011-12 | 20110930 | BELGIUM | 73041910 | HOT FINISHED SEAMLESS LINE PIPES-168.30X17.5X11000-12700MM-(S.C NO:013/2011-12 | 318.81 | 44,809 | 1,42,85,935 | PUC |
| 2011-12 | 20111013 | CHINA P RP | 73042990 | TUBING 2-7/8 OD 6.5 PPF L-80, EUE (3345 PCS)(INVOICE NO.MUL/ONGC/7360-IN-BS-GB | 293.56 | 64,364 | 1,88,95,002 | PUC |
| 2011-12 | 20110930 | CHINA P RP | 73043119 | CARBON STEEL TUBES CONF. TO SPECN. SA 210 GRADE A1 (SIZE :63.5MM X 5.60MM X 11 | 288.38 | 57,183 | 1,64,90,328 | PUC |
| 2011-12 | 20110926 | CHINA P RP | 73049000 | COLD FINISHED SEAMLESS STEEL TUBES ASME SA 210 GR.C, OD 57.15MM X WT 10.16 MM | 275.00 | 96,558 | 2,65,53,335 | PUC |
| 2011-12 | 20111013 | CHINA P RP | 73069090 | CARBON SEAMLESS STEEL PIPE 134MM X4.5MM X6000MM | 270.00 | 52,275 | 1,41,14,169 | PUC |
| 2011-12 | 20110930 | CHINA P RP | 73043919 | CARBON STEEL SEAMLESS TUBES TO ASTM A179 (SIZE= OD 76 MM X THK 5 MM X LENGTH 6- | 261.91 | 47,823 | 1,25,25,126 | PUC |
| 2011-12 | 20110927 | GERMANY | 73049000 | CARBON STEEL SEAMLESS PIPE ASTM 106 GR.B/API 5L GR.B | 260.00 | 33,538 | 87,19,927 | PUC |
| 2011-12 | 20110928 | BELGIUM | 73049000 | SECONDARY DEFECTIVE CARBON STEEL SEAMLESS PIPES | 248.00 | 26,301 | 65,22,586 | PUC |
| 2011-12 | 20110928 | CHINA P RP | 73043911 | CARBON STEEL SEAMLESS PIPE (HOT FINISHED)33.4 X 3.21 X 5000-7000 | 226.00 | 55,185 | 1,24,71,769 | PUC |
| 2011-12 | 20110910 | CHINA P RP | 73049000 | HOT FINISHED SEAMLESS STEEL TUBE 34CRM04 | 224.00 | 62,027 | 1,38,94,040 | PUC |
| 2011-12 | 20110930 | KOREA RP | 73043921 | SEAMLESS CARBON STEEL PIPES (SA106 GRC) (6180.0MTR@USD41.92PER/MTR) | 207.00 | 58,285 | 1,20,64,930 | PUC |
| 2011-12 | 20110929 | GERMANY | 73049000 | OILWELL EQUIPMENT :?PIPE CS SMLS.24 .SCH 40.API 5L/A106/A53GRB/X42.12MT (23.28- | 206.01 | 75,510 | 1,55,55,868 | PUC |
| 2011-12 | 20110930 | CHINA P RP | 73043919 | CARBON STEEL SEAMLESS TUBES TO ASTM A179 (SIZE= OD 27 MM X THK 2.6 MM X LENGTH | 205.50 | 49,111 | 1,00,92,443 | PUC |
| 2011-12 | 20111019 | CHINA P RP | 73042990 | TUBING 2-7/8 INCH OD 6.5 PPF L-80 EUE(2260 PCS)(INVOICE NO.MUL/ONGC/7360-IN-BS- | 198.91 | 64,363 | 1,28,02,191 | PUC |
| 2011-12 | 20111013 | CHINA P RP | 73043919 | CARBON STEEL SEAMLESS TUBES SPEC A 179 (SIZE=30 X 3 X 10000-11800 MM) | 196.93 | 57,040 | 1,12,32,773 | PUC |
| 2011-12 | 20111010 | CHINA P RP | 73049000 | SEAMLESS STEEL TUBE FOR | 196.76 | 65,968 | 1,29,79,864 | PUC |
| 2011-12 | 20111019 | CHINA P RP | 73043939 | CARBON STEEL SEAMLESS MOTHER HOLLOW(SHOT FINISH) SIZE:-33.4MM OD X 3.2MM THK. X | 196.00 | 51,783 | 1,01,49,497 | PUC |
| 2011-12 | 20110926 | GERMANY | 73049000 | M.S. SEAMLESS PIPES SECOND CHOICE MIX | 190.84 | 27,203 | 51,91,213 | PUC |
| 2011-12 | 20110929 | ROMANIA | 73049000 | STOCK LOT CARBON STEEL SEAMLESS LINE PIPES | 189.00 | 30,371 | 57,40,087 | PUC |
| 2011-12 | 20110929 | CHINA P RP | 73043911 | HOT FINISHED SEAMLESS STEEL TUBES (34CRMO4) SIZE: 229MM X 5.8MM | 189.00 | 60,160 | 1,13,70,253 | PUC |
| 2011-12 | 20111014 | CHINA P RP | 73043119 | COLD DRAWN SEAMLESS CARBON STEEL TUBES (SIZE 48.3 X 4.5 X8000 X 12000MM) | 179.37 | 57,040 | 1,02,31,036 | PUC |
| 2011-12 | 20110930 | CHINA P RP | 73041910 | CARBON SEAMLESS STEEL PIPE SIZE:83MMX12MM ASTM A 106 GR.B/API 5L GR.B | 177.00 | 40,756 | 72,13,761 | PUC |
| 2011-12 | 20111003 | GERMANY | 73043911 | COLD DRAWN SEAMLESS TUBES(TO SPEC.SA210) | 168.00 | 1,19,126 | 2,00,13,126 | PUC |
| 2011-12 | 20110919 | CHINA P RP | 73045910 | SEAMLESS CARBON STEEL TUBES ASME SA210M GR. A1 SIZE 38.1 ODX 4.06 MIN. WT X 110 | 163.58 | 58,423 | 95,56,613 | PUC |
| 2011-12 | 20110930 | CHINA P RP | 73045110 | BEARING QUALITY STEEL TUBE SAE-52100 (6004M IR) SIZE 27.9 X4.3MM | 161.39 | 67,901 | 1,09,58,340 | PUC |
| 2011-12 | 20110805 | OMAN | 73049000 | SECONDARY/DEFECTIVE CARBON STEEL SEAMLESS PIPES | 158.65 | 25,771 | 40,88,613 | PUC |
| 2011-12 | 20111007 | CHINA P RP | 73043119 | COLD DRAWN SEAMLESS CARBON STEEL TUBES ST37.4 (SIZE: 48.3 X4.5 X 8000-11000 MM) | 154.62 | 57,040 | 88,19,639 | PUC |
| 2011-12 | 20111013 | CHINA P RP | 73043919 | CARBON STEEL SEAMLESS TUBES SPEC A 179 (SIZE = 27MM X 2.7MM X 10-11.8M) | 154.42 | 57,040 | 88,08,117 | PUC |
| 2011-12 | 20111018 | U S A | 73049000 | M.S. SECONDARY SEAMLESS STEEL TUBES MIXED SIZES | 150.00 | 28,355 | 42,53,299 | PUC |
| 2011-12 | 20110930 | CHINA P RP | 73049000 | CARBON STEEL SEAMLESS PIPES A 106 GR.B | 150.00 | 32,901 | 49,35,147 | PUC |
| 2011-12 | 20111014 | CHINA P RP | 73042990 | HOT ROLLED (C-MN) SEAMLESS STEEL TUBE OD 232MMX5.4MM (37MN) | 149.00 | 63,672 | 94,87,168 | PUC |
| 2011-12 | 20111007 | JAPAN | 73042990 | SQUARE TUBES (250 X250 X 12 X12000) (SVB FILE NO. S/9-78 GATT/1997 GVC DT. 15.0 | 144.00 | 65,350 | 94,10,400 | PUC |
| 2011-12 | 20111007 | CHINA P RP | 73049000 | CARBON STEEL SEAMLESS PIPES CONFORMING TO API 5L GR.B/ASTM A 106 GR.B | 144.00 | 54,943 | 79,11,813 | PUC |
| 2011-12 | 20110927 | CHINA P RP | 73049000 | CARBON STEEL SEAMLESS PIPES CONFORMING ASTM A 106 GR.B | 143.00 | 33,096 | 47,32,699 | PUC |
| 2011-12 | 20111020 | ITALY | 73049000 | COLD DRAWN SEAMLESS STEEL TUBE92.50 X 7,75 E355 +SR4000-5800 | 139.89 | 1,00,274 | 1,40,26,877 | PUC |
| 2011-12 | 20110927 | QATAR | 73042990 | SECONDARY SECOND CHOICE CARBON STEEL PIPES | 128.00 | 26,305 | 33,67,022 | PUC |
| 2011-12 | 20110927 | HONG KONG | 73042990 | SECONDARY SECOND CHOICE CARBON STEEL PIPES | 125.00 | 26,395 | 32,99,429 | PUC |
| 2011-12 | 20110928 | JAPAN | 73049000 | SEAMLESS SECONDARY C.S. PIPES DIFFRENT LENGTH AND SIZE FROM2 -16 | 118.00 | 26,488 | 31,25,636 | PUC |
| 2011-12 | 20111011 | U S A | 73069090 | SECONDARY & DEFECTIVE MS PIPES | 116.00 | 26,041 | 30,20,810 | PUC |

**Import Data from DGCIS [All Countries PUC]
Apr 2009 to Jun 2012**

| Year | Date | Country | ITC-HS | Item-Des | Quantity (MT) | Price (Rs./MT) | Value (Rs) | PUC/ NPUC |
|---------|----------|--------------|----------|---|---------------|----------------|-------------|--------------|
| 2011-12 | 20111014 | CHINA P RP | 73045130 | CARBON STEEL SEAMLESS PIPES ASTM A106 GR.B (ODXWT(MM):60.3X5.54 LENGHT:6) | 112.00 | 48,603 | 54,43,487 | PUC |
| 2011-12 | 20110914 | U K | 73042990 | REGULAR SIZE CASING PIPES. (13-3/8 , 9-5/8 ,7 AND 5-1/2) 7 OD P-110 29PPF BTC | 111.76 | 56,146 | 62,75,130 | PUC |
| 2011-12 | 20110920 | CHINA P RP | 73042390 | MARINE PIPES(STEEL) FOR HULL 11139 | 110.00 | 64,009 | 70,40,981 | PUC |
| 2011-12 | 20111013 | SOUTH AFRICA | 73049000 | SECONDARY DEFECTIVE PIPES PSINO.ZA-IN 090111-60728 DT.01.09.11. | 108.00 | 21,659 | 23,39,165 | PUC |
| 2011-12 | 20110929 | CHINA P RP | 73049000 | CARBON STEEL SEAMLESS PIPES ASTM A 106/API 5L/GRADE B | 106.00 | 35,296 | 37,41,337 | PUC |
| 2011-12 | 20111004 | CHINA P RP | 73049000 | CARBON STEEL SEAMLESS PIPES | 106.00 | 35,179 | 37,28,952 | PUC |
| 2011-12 | 20110926 | U ARAB EMTS | 73049000 | STOCK LOT M.S PIPES | 103.00 | 32,910 | 33,89,729 | PUC |
| 2011-12 | 20111025 | CHINA P RP | 73049000 | SEAMLESS CARBON STEEL PIPES | 100.00 | 36,597 | 36,59,745 | PUC |
| 2011-12 | 20110908 | CHINA P RP | 73049000 | SEAMLESS STEEL TUBE FOR CYLINDERS HOT ROLLED 34CRMO4 | 99.00 | 65,361 | 64,70,729 | PUC |
| 2011-12 | 20110929 | CHINA P RP | 73049000 | CARBON STEEL SEAMLESS PIPES AS PER ASTM A106 GRADE B/API 5LGRADE B/A53 GRADE B | 99.00 | 34,898 | 34,54,941 | PUC |
| 2011-12 | 20111005 | GERMANY | 73049000 | M.S. SEAMLESS PIPES, SECOND CHOICE MIX, AS LISTED | 98.00 | 28,312 | 27,74,553 | PUC |
| 2011-12 | 20111018 | CHINA P RP | 73049000 | SEAMLESS STEEL TUBE FOR | 97.38 | 65,968 | 64,23,964 | PUC |
| 2011-12 | 20111020 | CHINA P RP | 73045910 | BEARINGS STEEL TUBES FOR MANUFACTURE OF OR & IR RACES 6006OR-55.70X4.51 OTHER | 95.69 | 84,086 | 80,46,223 | PUC |
| 2011-12 | 20111011 | CHINA P RP | 73049000 | CARBON STEEL SEAMLESS PIPES CONFIRMING TO ASTM A106 GRADE B | 89.00 | 35,213 | 31,33,956 | PUC |
| 2011-12 | 20110928 | FRANCE | 73045110 | BEARING QUALITY STEEL TUBE SAE 52100 (6303M OR) SIZE 47.6 X5.5MM | 86.33 | 68,110 | 58,80,112 | PUC |
| 2011-12 | 20110928 | U K | 73042390 | DRILL PIPES,DP 2-7/8 EU, LH, 10.4 PPF, G-105, R-II T/J2-7/8 API(NC-31) 4-1/8 X | 84.17 | 3,25,814 | 2,74,23,675 | PUC |
| 2011-12 | 20110923 | U S A | 73049000 | CARBON STEEL SECONDARY DEFECTIVE SEAMLESS PIPE | 84.00 | 32,422 | 27,23,454 | PUC |
| 2011-12 | 20110927 | CHINA P RP | 73045110 | BEARING QUALITY STEEL TUBE SAE-52100 (6905 IR) SIZE 30.47 X24.78 MM | 81.46 | 66,684 | 54,32,098 | PUC |
| 2011-12 | 20110930 | U S A | 73042390 | 5 DRILL PIPE, GRADE S135, 19.50 LB/FT (OLD & USED) | 80.78 | 3,04,968 | 2,46,35,499 | PUC |
| 2011-12 | 20111012 | SINGAPORE | 73049000 | SECONDARY CARBON STEEL SEAMLESS PIPES MIX SIZES MIX THICKNESS MIX LOT | 80.00 | 29,907 | 23,92,537 | PUC |
| 2011-12 | 20110928 | JAPAN | 73045110 | BEARING QUALITY STEEL TUBE SAE 52100 (BB1103 IR) SIZE 46.75X 34.75 MM | 79.92 | 66,850 | 53,42,883 | PUC |
| 2011-12 | 20111010 | ITALY | 73043129 | COLD DRAWN SMLS TUBES E355+SR EN 10305/1 READY FOR HONING MM 215 X 17.5 [SEAMLE | 79.72 | 60,724 | 48,41,124 | PUC |
| 2011-12 | 20111019 | ITALY | 73049000 | COLD DRAWN SEAMLESS STEEL TUBE130,50 X 7,75 E355 +SR4000-5800 | 77.85 | 1,02,956 | 80,14,719 | PUC |
| 2011-12 | 20110706 | UKRAINE | 73049000 | SECONDARY CARBON STEEL SEAMLESS PIPES,MIXED SIZES | 77.00 | 26,728 | 20,58,093 | PUC |
| 2011-12 | 20110926 | CHINA P RP | 73041910 | SEAMLESS CARBON STEEL PIPE APISPEC 5LB PSL 1/ASTM A106B 168.3MMX7.11MM | 77.00 | 47,484 | 36,56,303 | PUC |
| 2011-12 | 20110922 | CHINA P RP | 73049000 | SECONDARY SECOND CHOICE CARBON STEEL SEAMLESS/WELDED PIPES | 77.00 | 26,512 | 20,41,416 | PUC |
| 2011-12 | 20111012 | CHINA P RP | 73045110 | BEARING QUALITY STEEL TUBE SAE 52100 AND SUJ-3 (TMB6002OR)SIZE 32.7 X 3.3MM | 76.46 | 87,968 | 67,25,948 | PUC |
| 2011-12 | 20111019 | CHINA P RP | 73043121 | SKIVED & BURNISHED TUBES - SIZE: ID 200 X OD 230MM DIAMETER | 76.22 | 21,183 | 16,14,531 | PUC |
| 2011-12 | 20111007 | CHINA P RP | 73049000 | SEAMLESS STEEL PIPES SIZE(34 X 5.8 X 4000MM) | 76.00 | 59,330 | 45,09,099 | PUC |
| 2011-12 | 20110929 | CHINA P RP | 73049000 | CARBON STEEL SEAMLESS PIPES AS PER ASTM A 106/A 53/API 5L/A53 GRADE B | 76.00 | 34,803 | 26,45,059 | PUC |
| 2011-12 | 20111010 | BELGIUM | 73049000 | CARBON STEEL SEAMLESS / DEFECTIVE PIPES | 75.00 | 28,257 | 21,19,312 | PUC |
| 2011-12 | 20111007 | CHINA P RP | 73045110 | CARBON STEEL SEAMLESS PIPE (FULLY KILLED) AS PER DIN 17175 ST35.8 - SIZE: OD:27 | 75.00 | 53,722 | 40,29,171 | PUC |
| 2011-12 | 20111014 | CHINA P RP | 73049000 | SEAMLESS CARBON STEEL PIPES ASTM GRADE 106B(SIZE 114.3MM7.5-7.9MM 5.3M) | 75.00 | 34,224 | 25,66,800 | PUC |
| 2011-12 | 20111005 | CHINA P RP | 73043119 | CARBON STEEL SEAMLESS PIPES (194X25MM) | 75.00 | 32,557 | 24,41,778 | PUC |
| 2011-12 | 20110928 | CHINA P RP | 73049000 | CARBON STEEL SEAMLESS PIPE GRADE B | 71.00 | 29,141 | 20,68,985 | PUC |
| 2011-12 | 20110916 | CHINA P RP | 73041990 | SECONDARY SEAMLESS STEEL TUBES OF VARIOUS DIAMETERS LENGTH AND THICKNESS | 70.00 | 34,863 | 24,40,384 | PUC |
| 2011-12 | 20110929 | QATAR | 73042990 | SECONDARY SECOND CHOICE CARBON STEEL PIPES | 69.00 | 26,354 | 18,18,434 | PUC |
| 2011-12 | 20111007 | CHINA P RP | 73049000 | CARBON STEEL SEAMLESS PIPE API 5L GR.B / ASTM A 106 GR.B /ASTM A 53 GR.B | 69.00 | 35,105 | 24,22,227 | PUC |
| 2011-12 | 20110929 | CHINA P RP | 73041910 | CARBON STEEL SEAMLESS PIPE | 68.00 | 33,099 | 22,50,739 | PUC |
| 2011-12 | 20111031 | U S A | 73069090 | SECONDARY DEFECTIVE M.S PIPES | 66.00 | 27,692 | 18,27,687 | PUC |
| 2011-12 | 20111007 | CHINA P RP | 73049000 | HFS TUBE | 65.00 | 58,328 | 37,91,310 | PUC |

**Import Data from DGCIS [All Countries PUC]
Apr 2009 to Jun 2012**

| Year | Date | Country | ITC-HS | Item-Des | Quantity (MT) | Price (Rs./MT) | Value (Rs) | PUC/ NPUC |
|---------|----------|-------------|----------|---|---------------|----------------|-------------|--------------|
| 2011-12 | 20110929 | CHINA P RP | 73043919 | CARBON STEEL SEAMLESS TUBES TO ASTM A106 GR.B (SIZE=OD 73 MM X THK 9.53 MM X L | 64.68 | 48,070 | 31,09,259 | PUC |
| 2011-12 | 20110930 | U S A | 73042390 | 5 DRILL PIPE, GRADE S135, 16.50/LB/FT (OLD & USED) | 64.23 | 2,40,744 | 1,54,62,537 | PUC |
| 2011-12 | 20111018 | CHINA P RP | 73045110 | SEAMLESS COLD DRAWN CARBON STEEL TUBE (SIZE: 114.30 X 4.80 X 2905 MM) | 64.00 | 61,686 | 39,47,929 | PUC |
| 2011-12 | 20110929 | U S A | 73049000 | SECONDARY DEFECTIVE ALLOY STEEL SEAMLESS PIPE | 63.00 | 32,354 | 20,38,315 | PUC |
| 2011-12 | 20110907 | CHINA P RP | 73043119 | COLD DRAWN SEAMLESS STEEL TUBES (BLACK) 40MM OD X 28MM ID X 5.5M | 62.00 | 65,669 | 40,71,464 | PUC |
| 2011-12 | 20111007 | RUSSIA | 73043911 | CS SEAMLESS TUBULAR 16 SCH 80 (GRADE B/X42) | 61.02 | 83,579 | 51,00,050 | PUC |
| 2011-12 | 20110930 | TAIWAN | 73043129 | HYDRAULIC CYLINDER TUBE (180*150 (PI NO.HT013-20110508)(FOR CAPTIVE CONSUMPTION | 57.15 | 29,738 | 16,99,524 | PUC |
| 2011-12 | 20111010 | OMAN | 73049000 | SECONDARY DEFECTIVE CARBON STEEL SEAMLESS PIPE | 56.00 | 28,258 | 15,82,465 | PUC |
| 2011-12 | 20110930 | NETHERLAND | 73049000 | CARBON SEAMLESS STEEL PIPES STOCKLOT MIX SIZE | 54.00 | 32,756 | 17,68,818 | PUC |
| 2011-12 | 20110929 | TURKEY | 73043119 | NON ALLOY STEEL SEAMLESS PIPES API 5L GRADE B 101.6MMX8.08MM | 53.00 | 52,873 | 28,02,274 | PUC |
| 2011-12 | 20111005 | U ARAB EMTS | 73041990 | SEAMLESS PIPES | 53.00 | 25,701 | 13,62,166 | PUC |
| 2011-12 | 20110927 | CHINA P RP | 73045110 | CARBON STEEL SEAMLESS TUBE (FULLY KILLED) AS PER DIN17175 ST35.8 SIZE: OD: 27MM | 53.00 | 52,335 | 27,73,730 | PUC |
| 2011-12 | 20110928 | CHINA P RP | 73043939 | SEAMLESS PIPES SIZE : OD 60MM , WT 12 MM , LENGTH (M) 1-5.8, API 5L ASTM A 106 | 53.00 | 47,948 | 25,41,260 | PUC |
| 2011-12 | 20111003 | CHINA P RP | 73049000 | COLD DRAWN SEAMLESS STEEL PIPE AS PER ASTM A106/A53/API 5L GR.B | 53.00 | 36,434 | 19,30,997 | PUC |
| 2011-12 | 20110927 | CHINA P RP | 73049000 | CARBON STEEL SEAMLESS PIPE API 5L GR B/ASTM A106 GR B | 53.00 | 29,315 | 15,53,718 | PUC |
| 2011-12 | 20110922 | CHINA P RP | 73042990 | SECONDARY SECON CHOICE CARBON STEEL PIPES | 53.00 | 26,172 | 13,87,102 | PUC |
| 2011-12 | 20110919 | CHINA P RP | 73043119 | COLD DRAWN SEAMLESS STEEL TUBES (BLACK) 40MM OD X 28MM ID X 5.1M | 52.00 | 78,072 | 40,59,766 | PUC |
| 2011-12 | 20111020 | CHINA P RP | 73045110 | CARBON STEEL SEAMLESS TUBES (FULLY KILLED), AS PER DIN17175ST35.8 - OD:27MM, W. | 52.00 | 55,520 | 28,87,037 | PUC |
| 2011-12 | 20110927 | CHINA P RP | 73045110 | CARBON STEEL SEAMLESS TUBE (FULLY KILLED) AS PER DIN17175 ST35.8 SIZE: OD: 27MM | 52.00 | 52,326 | 27,20,970 | PUC |
| 2011-12 | 20110929 | CHINA P RP | 73049000 | CARBON STEEL SEAMLESS PIPES AS PER ASTM A 106 GR.B/API 5L GRB/A53 GR B | 52.00 | 35,239 | 18,32,437 | PUC |
| 2011-12 | 20111014 | CHINA P RP | 73049000 | SECONDARY CARBON STEEL SEAMLESS PIPES | 52.00 | 30,449 | 15,83,327 | PUC |
| 2011-12 | 20111007 | CHINA P RP | 73043119 | SEAMLESS CARBON STEEL TUBES ST 37.4 (SIZE : 30X 2.5X 10000-12000MM) | 51.59 | 57,040 | 29,42,694 | PUC |
| 2011-12 | 20110930 | CHINA P RP | 73049000 | CARBON STEEL SEAMLESS TUBES | 51.47 | 33,050 | 17,01,142 | PUC |
| 2011-12 | 20110905 | UKRAINE | 73042390 | SECONDARY CARBON STEEL SEAMLESS PIPES MIXED SIZE 133,0X 12,00 L 4000-12500MM | 51.00 | 27,172 | 13,85,787 | PUC |
| 2011-12 | 20110620 | U ARAB EMTS | 73049000 | SECONDARY SECON CHOICE CARBON STEEL SEAMLESS & WELDED PIPEMIX SIZE MIX LOT | 51.00 | 25,694 | 13,10,400 | PUC |
| 2011-12 | 20110924 | CHINA P RP | 73043939 | SEAMLESS STEEL PIPES - GRADE:ASTM 106 GR.B/API 5LGR.B/A53, SIZE: 60.3MM OD X | 51.00 | 45,014 | 22,95,720 | PUC |
| 2011-12 | 20111008 | CHINA P RP | 73049000 | COLD DRAWN SEAMLESS STEEL PIPE AS PER ASTM A106/A53/API 5L GR.B | 51.00 | 36,790 | 18,76,308 | PUC |
| 2011-12 | 20110929 | CHINA P RP | 73049000 | CARBON STEEL SEAMLESS PIPES CONFIRMING TO SPECIFICATION ASTMA 106/API 5L/A53 GR | 51.00 | 35,248 | 17,97,644 | PUC |
| 2011-12 | 20111010 | CHINA P RP | 73045910 | SEAMLESS STEEL TUBES ASME SA 210M GR. A1 SIZE 63.5 X 4.06 X 11000 MM | 50.96 | 62,478 | 31,84,106 | PUC |
| 2011-12 | 20111010 | CHINA P RP | 73041110 | PRIME COLD DRAWN SEAMLESS STEEL TUBE 31.75MM X 6.5 MM | 50.94 | 63,754 | 32,47,504 | PUC |
| 2011-12 | 20111012 | U ARAB EMTS | 73049000 | SECONDARY SECON CHOICE CARBON STEEL SEAMLESS/WELDED PIPES | 50.39 | 28,661 | 14,44,310 | PUC |
| 2011-12 | 20110929 | GERMANY | 73043911 | SEAMLESS TUBULAR (API 5L GRADE X52 PSL2) SIZE: 17.99 | 50.00 | 1,27,989 | 63,99,432 | PUC |
| 2011-12 | 20111017 | CHINA P RP | 73049000 | SEAMLESS STEEL TUBE FOR | 50.00 | 65,968 | 32,98,400 | PUC |
| 2011-12 | 20110929 | CHINA P RP | 73049000 | CARBON STEEL SEAMLESS PIPES CONFIRMING TO SPECIFICATION ASTMA 106/API 5L/A53 GR | 50.00 | 35,367 | 17,68,368 | PUC |
| 2011-12 | 20111014 | CHINA P RP | 73049000 | SEAMLESS CARBON STEEL PIPES ASTM GRADE 106B(SIZE: 114.3MM, 7.5-7.9 MM 5.3 | 50.00 | 34,224 | 17,11,200 | PUC |
| 2011-12 | 20111017 | CHINA P RP | 73041190 | CARBON STEEL SEAMLESS SECONDARY PIPE SIZE: OD:168.3MM WT:10.97MM LENGTH: 5-11.6 | 50.00 | 28,135 | 14,06,762 | PUC |
| 2011-12 | 20110924 | SWEDEN | 73045110 | SECONDARY AND DFEECTIVE SEAMLESS STEEL TUBES (ALLOY STEEL) GRADE: 100 CR6 SIZE: | 49.66 | 34,032 | 16,90,088 | PUC |
| 2011-12 | 20110620 | U ARAB EMTS | 73049000 | STOCK LOT PIPES | 49.00 | 28,340 | 13,88,666 | PUC |
| 2011-12 | 20110929 | QATAR | 73042990 | SECONDARY SECON CHOICE CARBON STEEL PIPES | 49.00 | 26,247 | 12,86,107 | PUC |
| 2011-12 | 20111015 | CHINA P RP | 73041190 | CS TUBES (31.75MM OD X2.11 MM(MIN)WT X 12400 LG) | 48.42 | 70,725 | 34,24,666 | PUC |
| 2011-12 | 20110926 | CHINA P RP | 73041190 | CARBON STEEL TUBES (31.75MM OD X2.11MM(MIN)WT X12400 LG) | 48.42 | 66,376 | 32,14,076 | PUC |

**Import Data from DGCIS [All Countries PUC]
Apr 2009 to Jun 2012**

| Year | Date | Country | ITC-HS | Item-Des | Quantity (MT) | Price (Rs./MT) | Value (Rs) | PUC/ NPUC |
|---------|----------|---------------|----------|---|---------------|----------------|-------------|--------------|
| 2011-12 | 20111020 | CHINA P RP | 73043919 | CARBON STEEL SEAMLESS TUBES ASTM A179 (SIZE : 38.1 X 3.07 X10500 MM) | 48.28 | 59,272 | 28,61,356 | PUC |
| 2011-12 | 20110924 | MALAYSIA | 73049000 | CARBON STEEL SEAMLESS PIPES | 48.00 | 38,151 | 18,31,270 | PUC |
| 2011-12 | 20110929 | CHINA P RP | 73049000 | CARBON STEEL SEAMLESS PIPES CONFIRMING TO SPECIFICATION ASTMA 106/API 5L/A53 GR | 48.00 | 35,007 | 16,80,339 | PUC |
| 2011-12 | 20111014 | CHINA P RP | 73045910 | CARBON STEEL SEAMLESS TUBES ASME SA210M GR. A1 SIZE 38.1 ODX 4.06 MIN. WT X 110 | 47.77 | 63,696 | 30,42,615 | PUC |
| 2011-12 | 20111013 | ITALY | 73049000 | STEEL SEAMLESS ROUND PIPES 73.0 X 5.16- STEEL GRADE B | 47.61 | 1,14,404 | 54,47,010 | PUC |
| 2011-12 | 20111031 | U S A | 73069090 | SECONDARY & DEFECTIVE MS PIPES | 47.00 | 29,805 | 14,00,823 | PUC |
| 2011-12 | 20110929 | CHINA P RP | 73045910 | SEAMLESS COLD DRAWN CARBON STEEL TUBES (SA179) (25MM OD X 2.5MM (MIN) WT X 8005 | 46.09 | 47,966 | 22,10,534 | PUC |
| 2011-12 | 20110929 | U S A | 73043911 | SECONDARY DEFECTIVE ALLOY STEEL SEAMLESS PIPE | 46.00 | 32,520 | 14,95,909 | PUC |
| 2011-12 | 20111011 | CHINA P RP | 73049000 | COLD DRAWN SEAMLESS CARBON STEEL TUBE SIZE : (29.70 X 2.50 X R/L MM(C 45)) | 46.00 | 61,774 | 28,41,590 | PUC |
| 2011-12 | 20110929 | CHINA P RP | 73045110 | BEARING QUALITY STEEL TUBE SAE 52100 AND SUJ-3 (TMB6204OR)SIZE 47.65 X 4.25MM | 45.20 | 82,028 | 37,07,359 | PUC |
| 2011-12 | 20110923 | GERMANY | 73049000 | SEAMLESS STEEL PIPES ASTM-A-179 (27MMX2.6MMX10-11.8M) | 45.00 | 54,186 | 24,38,359 | PUC |
| 2011-12 | 20111015 | CHINA P RP | 73041910 | SEAMLESS CARBON STEEL PIPE - 50 X 6 X L (=940MMX 2/3/4/5/6) | 44.00 | 60,098 | 26,44,331 | PUC |
| 2011-12 | 20110926 | U ARAB EMTS | 73049000 | CARBON STEEL PIPES(SECONDARY PRODUCTS) | 43.00 | 33,082 | 14,22,520 | PUC |
| 2011-12 | 20111012 | CHINA P RP | 73045910 | BEARING SEAMLESS STEEL TUBE GRADE-SKF3S OD42.9MM X ID36.2MM | 42.00 | 1,03,469 | 43,45,717 | PUC |
| 2011-12 | 20111015 | U S A | 73049000 | CARBON STEEL SEAMLESS PIPES ASTM SA 106 GRB | 41.34 | 36,704 | 15,17,307 | PUC |
| 2011-12 | 20111003 | U S A | 73043129 | SEAMLESS STEEL TUBE GLAND S355 J2G3/MW450KV DIA132.7/71X920MM | 40.70 | 55,080 | 22,41,763 | PUC |
| 2011-12 | 20111010 | CHINA P RP | 73045110 | BEARING QUALITY STEEL TUBE SAE 52100 35.7*4.8 | 40.67 | 79,856 | 32,47,424 | PUC |
| 2011-12 | 20110930 | CHINA P RP | 73045110 | BEARING QUALITY STEEL TUBE SAE 52100 (BB1103 IR) SIZE 46.75X 34.75MM | 40.19 | 67,123 | 26,97,759 | PUC |
| 2011-12 | 20110929 | U S A | 73049000 | SECONDARY DEFECTIVE ALLOY STEEL SEAMLESS PIPE | 40.00 | 32,722 | 13,08,863 | PUC |
| 2011-12 | 20110929 | CHINA P RP | 73043119 | NON ALLOY STEEL SEAMLESS PIPES API 5L GRADE B 101.6MMX8.08MM | 40.00 | 66,172 | 26,46,888 | PUC |
| 2011-12 | 20111012 | CHINA P RP | 73045910 | BEARING SEAMLESS STEEL TUBE SKF3S OD28.90MMXID22.35MM | 39.00 | 1,04,760 | 40,85,646 | PUC |
| 2011-12 | 20110924 | CHINA P RP | 73049000 | STEEL TUBES OF 100CR6 FOR MFG.OF BEARINGS SIZE: 62.85 X5.4MM (C-0.97, SI-0.30, | 37.97 | 89,236 | 33,88,304 | PUC |
| 2011-12 | 20111007 | U S A | 73049000 | SECONDARY SECOND CARBON STEEL SEAMLESS/ WELDED PIPES MIXED THICKNESS MIXED LOT. | 37.00 | 27,355 | 10,12,143 | PUC |
| 2011-12 | 20110930 | FRANCE | 73043911 | SEAMLESS TUBULARS (API 5L GRADE - X52, PSL-2/API-5L-GRADE X52) SIZE: 8 (CS NAC | 36.00 | 1,17,987 | 42,47,538 | PUC |
| 2011-12 | 20110930 | JAPAN | 73049000 | BEARING QUALITY STEEL TUBES SAE52100 OD57.90MM X WT6.55MM | 35.91 | 1,10,424 | 39,64,870 | PUC |
| 2011-12 | 20111020 | CHINA P RP | 73043919 | CARBON STEEL SEAMLESS TUBES ASTM A179 (SIZE : 38.1 X 3.07 X10500 MM) | 35.63 | 59,272 | 21,11,565 | PUC |
| 2011-12 | 20110929 | CHINA P RP | 73045110 | STEEL TUBE DIA 4.76*0.65MM WITH COPPER COATED (PART FOR REFRIGRATOR)(CAPTIVE CO | 34.60 | 65,889 | 22,79,786 | PUC |
| 2011-12 | 20110928 | SRI LANKA DSR | 73042390 | DRILLPIPE, 5 IN OD GRADE S135 RANGE 2 19.50 LB/FT | 34.47 | 3,56,583 | 1,22,91,783 | PUC |
| 2011-12 | 20111005 | CHINA P RP | 73042990 | 2 7/8 6.5# N80 EUE COUPLING | 32.32 | 73,760 | 23,84,231 | PUC |
| 2011-12 | 20111012 | CHINA P RP | 73041190 | COLD DRAWN SEAMLESS STEEL TUBE 5000/5800 (44X9.25) | 31.00 | 78,392 | 24,30,161 | PUC |
| 2011-12 | 20110919 | CHINA P RP | 73043921 | SEAMLESS CARBON STEEL PIPES (TO SPEC SA106) 720.00 MTR @USD 51.28 PER/MTR) | 30.00 | 57,316 | 17,19,474 | PUC |
| 2011-12 | 20110930 | JAPAN | 73049000 | SEAMLESS ALLOY STEEL TUBES JIS G3441 SCM415TK 32.80MM OD X 24.60MM ID X 5M | 29.54 | 1,58,418 | 46,80,299 | PUC |
| 2011-12 | 20111008 | U ARAB EMTS | 73049000 | STOCK LOT IRON PIPES | 28.00 | 34,596 | 9,68,701 | PUC |
| 2011-12 | 20111005 | CONGO P REP | 73069090 | SECONDARY & DEFECTIVE M.S.PIPE | 28.00 | 24,551 | 6,87,430 | PUC |
| 2011-12 | 20111021 | JAPAN | 73049000 | BEARING QUALITY STEEL TUBES SAE52100 OD62.90MM X WT4.85MM | 27.43 | 1,14,336 | 31,36,109 | PUC |
| 2011-12 | 20111024 | CHINA P RP | 73043129 | HYDRAULIC CYLINDER TUBE (125*100 (PI NO.HT013-20110508)(FOR CAPTIVE CONSUMPTION | 27.13 | 65,166 | 17,67,895 | PUC |
| 2011-12 | 20110831 | MALAYSIA | 73049000 | CARBON STEEL SECONDARY DEFECTIVE SEAMLESS PIPE | 27.00 | 26,316 | 7,10,537 | PUC |
| 2011-12 | 20110906 | UKRAINE | 73042390 | SECONDARY CARBON STEEL SEAMLESS PIPES,MIXED SIZES (108.0X12.5)(12000MM) | 27.00 | 25,679 | 6,93,338 | PUC |
| 2011-12 | 20110924 | CHINA P RP | 73049000 | CARBON STEEL SEAMLESS PIPES ASTM A 106-B | 27.00 | 32,796 | 8,85,499 | PUC |
| 2011-12 | 20111014 | OMAN | 73049000 | CARBON STEEL PIPES(SECONDARY PRODUCT) | 26.00 | 34,106 | 8,86,749 | PUC |
| 2011-12 | 20110926 | GERMANY | 73049000 | CARBON STEEL SEAMLESS PIPES | 26.00 | 32,592 | 8,47,393 | PUC |

**Import Data from DGCIS [All Countries PUC]
Apr 2009 to Jun 2012**

| Year | Date | Country | ITC-HS | Item-Des | Quantity (MT) | Price (Rs./MT) | Value (Rs) | PUC/ NPUC |
|---------|----------|-------------|----------|---|---------------|----------------|------------|--------------|
| 2011-12 | 20111017 | KOREA RP | 73049000 | SECONDARY CARBON STEEL SEAMLESS TUBES | 26.00 | 29,508 | 7,67,213 | PUC |
| 2011-12 | 20111013 | U S A | 73049000 | SECONDARY DEFECTIVE PIPES PSINO. ZA-IN 090811-60725 DT. 08.09.11. | 26.00 | 21,844 | 5,67,940 | PUC |
| 2011-12 | 20111003 | CHINA P RP | 73049000 | STEEL PIPE SEAMLESS - LENGTH >6M DIMENTION 70(M20) MM THICKNESS 12MM (64 PCS) (| 26.00 | 50,857 | 13,22,287 | PUC |
| 2011-12 | 20111010 | CHINA P RP | 73043939 | CARBON STEEL SEAMLESS PIPES, GRADE ASTM A 106/API5L GRB, SIZE: 114X11MMX5-5.8M LE | 26.00 | 46,347 | 12,05,026 | PUC |
| 2011-12 | 20110929 | CHINA P RP | 73049000 | SECONDARY CARBON STEEL SEAMLESS PIPES | 26.00 | 28,022 | 7,28,570 | PUC |
| 2011-12 | 20110928 | JAPAN | 73049000 | SEAMLESS ALLOY STEEL TUBES JIS G3441 SCM415TK 36.70MM OD X 28.10MM ID X 5M | 25.78 | 1,58,475 | 40,84,704 | PUC |
| 2011-12 | 20111010 | SWEDEN | 73045110 | SECONDARY AND DFEECTIVE SEAMLESS STEEL TUBES (ALLOY STEEL) GRADE: 100 CR6 SIZE: | 25.70 | 33,376 | 8,57,771 | PUC |
| 2011-12 | 20111010 | RUSSIA | 73043939 | SEAMLESS TUBE ASTM A 106 GRB 88.9 X 6.6MM (59) MADE OF MS | 25.00 | 51,460 | 12,86,491 | PUC |
| 2011-12 | 20111018 | JAPAN | 73049000 | SECONDARY SEAMLESS CARBON STEEL PIPES | 25.00 | 40,298 | 10,07,462 | PUC |
| 2011-12 | 20111017 | U K | 73049000 | SECONDARY SURPLUS CARBON STEEL WELDED/SEAMLESS PIPES MIX SIZES | 25.00 | 27,927 | 6,98,169 | PUC |
| 2011-12 | 20110927 | CHINA P RP | 73043119 | SEAMLESS CDS TUBES ASME SA 179 -SIZE- 33.4X3.5X5800 | 25.00 | 54,188 | 13,54,702 | PUC |
| 2011-12 | 20111017 | CHINA P RP | 73049000 | CARBON STEEL SEAMLESS PIPES A 106 GR.B | 25.00 | 35,895 | 8,97,369 | PUC |
| 2011-12 | 20111005 | SWEDEN | 73049000 | SECONDARY SECOND CHOICE CARBON STEEL SEAMLESS/WELDED PIPES | 24.00 | 27,831 | 6,67,944 | PUC |
| 2011-12 | 20111019 | CHINA P RP | 73049000 | SEAMLESS CARBON STEEL PIPES ASTM A106 GRB (SIZE 40.3 MM X5.4 MM X 3750 MM) | 24.00 | 58,708 | 14,08,998 | PUC |
| 2011-12 | 20110927 | CHINA P RP | 73043939 | SAE52100 SEAMLESS PIPE 48.00 X 10.00 (MADE OF MS) | 23.97 | 73,222 | 17,54,759 | PUC |
| 2011-12 | 20111012 | CHINA P RP | 73041110 | MS PIPES /TUBES 245MMX25MM (11.758MTS)/114X14M (11.76MTS) | 23.52 | 28,520 | 6,70,733 | PUC |
| 2011-12 | 20111007 | CHINA P RP | 73041910 | HOLLOW BAR/BAR STOCK OF RELEVANT DIA (7 OD) SPIRAL 5-1/2 OD X 3-1/4 ID HWDP X | 23.19 | 1,91,553 | 44,41,680 | PUC |
| 2011-12 | 20110926 | U S A | 73049000 | SECONDARY SECOND CHOICE CARBON STEEL SEAMLESS/WELDED PIPES | 23.10 | 26,301 | 6,07,626 | PUC |
| 2011-12 | 20110927 | KOREA RP | 73041110 | CARBON SEAMLESS STEEL TUBES ASME SA179 19.05 OD X 2.11 WT X6100 LG | 23.04 | 70,740 | 16,29,691 | PUC |
| 2011-12 | 20110929 | CHINA P RP | 73049000 | CARBON STEEL SEAMLESS PIPES API SPEC 5L/ASTM A 106/A53 B PSL1/B | 23.00 | 34,629 | 7,96,459 | PUC |
| 2011-12 | 20110922 | CHINA P RP | 73042990 | SECONDARY SECOND CHOICE CARBON STEEL PIPES | 23.00 | 26,141 | 6,01,235 | PUC |
| 2011-12 | 20110928 | CHINA P RP | 73049000 | CARBON SEAMLESS STEEL TUBE API 5L ASTM A 106 GR.B (OD 127.00MM X WT 12.70MM (AV | 22.15 | 46,550 | 10,30,896 | PUC |
| 2011-12 | 20111003 | FRANCE | 73043119 | PLAIN END SEMS.TUBES/PIPES(COLD DRN.SEM.CRN.STEEL DRG.TUBE/PIPE)OUT DIA.114.300 | 22.13 | 1,20,304 | 26,61,849 | PUC |
| 2011-12 | 20110921 | U S A | 73049000 | CARBON STEEL SEAMLESS PIPES | 22.00 | 49,275 | 10,84,051 | PUC |
| 2011-12 | 20111031 | U S A | 73069090 | SECONDARY DEFCTIVE M.S PIPES | 22.00 | 28,018 | 6,16,402 | PUC |
| 2011-12 | 20111014 | KUWAIT | 73069090 | SECONDARY/DEFECTIVE MS PIPES PSINO. 25133 DT.24.08.11 | 22.00 | 26,018 | 5,72,386 | PUC |
| 2011-12 | 20111014 | CHINA P RP | 73045920 | HOT FINISHED CARBON STEEL SEAMLESS MOTHER PIPES [219.08MMX 38.1MM X 9.51M] | 22.00 | 62,020 | 13,64,434 | PUC |
| 2011-12 | 20111012 | CHINA P RP | 73043129 | SEAMLESS STEEL TUBES 225X200 | 21.62 | 73,607 | 15,91,744 | PUC |
| 2011-12 | 20111011 | CHINA P RP | 73044900 | SEAMLESS STEEL PIPE ST52-3 NBK 48MM*5MM (7-9 MTR LENGTH) (4049.89 MTR) | 21.47 | 47,010 | 10,09,394 | PUC |
| 2011-12 | 20110930 | CHINA P RP | 73043139 | ST-52 OR SAE 1026 AND CK-45 READY TO HONE TUBE BKS (230X200H8X5-5.8M) | 21.27 | 84,403 | 17,95,419 | PUC |
| 2011-12 | 20111024 | SINGAPORE | 73041910 | SECONDARY STEEL PIPES | 21.00 | 27,922 | 5,86,371 | PUC |
| 2011-12 | 20111008 | CHINA P RP | 73045920 | HOT FINISHED CARBON STEEL SEAMLESS MOTHER PIPES [140MM X19.05MM X 8.59M] | 21.00 | 61,236 | 12,85,962 | PUC |
| 2011-12 | 20110927 | CHINA P RP | 73041910 | SEAMLESS STEEL PIPES SIZE:5 XSCH40X5000-5800MM | 21.00 | 35,853 | 7,52,911 | PUC |
| 2011-12 | 20110914 | U K | 73042990 | REGULAR SIZE CASING PIPES (13-3/8 , 9-5/8 , 7 AND 5-1/2),P-110, 47 PPF BTC | 20.77 | 56,195 | 11,67,234 | PUC |
| 2011-12 | 20111021 | CHINA P RP | 73049000 | SEAMLESS TUBE-Q345B/120X60X7&8-10M(35 PCS),MAT.NO.10181156 (FOR CONCRETE MACHI | 20.51 | 64,155 | 13,15,825 | PUC |
| 2011-12 | 20111014 | ITALY | 73049000 | SECONDARY CARBON STEEL SEAMLESS PIPES | 20.00 | 30,013 | 6,00,259 | PUC |
| 2011-12 | 20110905 | U ARAB EMTS | 73049000 | MILD STEEL OLD & USED SEAMLESS PIPES | 20.00 | 26,597 | 5,31,933 | PUC |
| 2011-12 | 20111010 | CHINA P RP | 73043119 | COLD DRAWN SEAMLESS STEEL TUBES SPECIFICATION: GB 8162-200840CR SIZE OD 86.50MM | 20.00 | 73,283 | 14,65,664 | PUC |
| 2011-12 | 20111015 | CHINA P RP | 73045920 | HOT FINISHED CARBON STEEL SEAMLESS MOTHER PIPES [219.08MMX 38.1MM X 9.51M] | 20.00 | 63,345 | 12,66,908 | PUC |
| 2011-12 | 20111014 | CHINA P RP | 73045920 | HOT FINISHED CARBON STEEL SEAMLESS MOTHER PIPES [219.08MMX 38.1MM X 9.51M] | 20.00 | 63,345 | 12,66,908 | PUC |
| 2011-12 | 20111012 | CHINA P RP | 73063090 | OD60X7.2MM MS BLACK PIPE (ROUND PIPE) | 20.00 | 47,851 | 9,57,014 | PUC |

**Import Data from DGCIS [All Countries PUC]
Apr 2009 to Jun 2012**

| Year | Date | Country | ITC-HS | Item-Des | Quantity (MT) | Price (Rs./MT) | Value (Rs) | PUC/ NPUC |
|---------|----------|------------|----------|---|---------------|----------------|------------|--------------|
| 2011-12 | 20110930 | CHINA P RP | 73049000 | CARBON STEEL SEAMLESS PIPES A 106 GR.B | 20.00 | 32,911 | 6,58,217 | PUC |
| 2011-12 | 20111004 | CHINA P RP | 73041910 | COLD DRAWN SEAMLESS STEE | 19.58 | 63,280 | 12,38,899 | PUC |
| 2011-12 | 20111011 | CHINA P RP | 73043119 | SKIVED & BURNISHED TUBES(ID-76MM. X OD-88MM.) | 19.52 | 71,825 | 14,02,104 | PUC |
| 2011-12 | 20110929 | CHINA P RP | 73043119 | COLD DRAWN SEAMLESS STEEL TUBES[OD-28.5 MM (+/- .10) ID- 14.3 MM(+/- .10)THK.:6. | 19.52 | 58,393 | 11,39,720 | PUC |
| 2011-12 | 20110907 | CHINA P RP | 73043119 | SKIVED & BURNISHED TUBES(ID-55MM. X OD-70MM.) | 19.47 | 77,273 | 15,04,728 | PUC |
| 2011-12 | 20110929 | CHINA P RP | 73043119 | SKIVED & BURNISHED TUBES(ID-125MM. X OD-140MM.) | 19.25 | 77,273 | 14,87,274 | PUC |
| 2011-12 | 20110929 | U S A | 73049000 | CARBON STEEL SEAMLESS PIPES SPEC SA106 | 19.13 | 1,55,300 | 29,71,193 | PUC |
| 2011-12 | 20111006 | CHINA P RP | 73043119 | SKIVED & BURNISHED TUBES(ID-100MM. X OD-112MM.) | 19.05 | 67,456 | 12,85,172 | PUC |
| 2011-12 | 20110928 | CHINA P RP | 73043119 | SKIVED & BURNISHED TUBES(ID-63MM. X OD-73MM.) | 19.03 | 77,273 | 14,70,504 | PUC |
| 2011-12 | 20111014 | JAPAN | 73043911 | SEAMLESS TUBULAR (API 5L GRADE X52 PSL2) 16 | 19.00 | 1,22,952 | 23,36,084 | PUC |
| 2011-12 | 20111007 | U S A | 73049000 | SECONDARY / DEFECTIVE CARBON STEEL SEAMLESS PIPES | 19.00 | 28,310 | 5,37,882 | PUC |
| 2011-12 | 20110930 | CHINA P RP | 73049000 | CARBON STEEL SEAMLESS PIPE | 19.00 | 41,317 | 7,85,029 | PUC |
| 2011-12 | 20110930 | JAPAN | 73049000 | COLD DRAWN SEAMLESS TUBE (PIN STEEL) ITEM NO. RGPS04518.15(+0.08/-0)X12.0(+/-0 | 18.55 | 2,94,363 | 54,59,544 | PUC |
| 2011-12 | 20111022 | KOREA RP | 73042990 | MILD STEEL TUBES GRADE ST52.3 DIN 2393 (ERW PRECISION TUBES)(SIZE - 150.3 O.D | 18.00 | 97,142 | 17,48,551 | PUC |
| 2011-12 | 20111018 | CHINA P RP | 73045110 | SEAMLESS STEEL TUBES (COLD ROLLED CARBON STEEL TUBES ASTM A519 GRADE 37MN5 (SIZ | 18.00 | 67,743 | 12,19,366 | PUC |
| 2011-12 | 20110930 | CHINA P RP | 73043129 | HYDRAULIC CYLINDER TUBE (SIZE: 190 X 160 MM) | 17.42 | 41,529 | 7,23,433 | PUC |
| 2011-12 | 20110923 | CHINA P RP | 73045920 | CARBON STEEL PIPES(SEAMLESS) TO SPEC SA 106SIZE:114.3 MM X 17.01 MM | 17.00 | 65,082 | 11,06,397 | PUC |
| 2011-12 | 20111007 | CHINA P RP | 73045920 | HOT FINISHED CARBON STEEL SEAMLESS MOTHER PIPES [273.05MM X 25.4MM X 9.7-9.8M | 17.00 | 59,885 | 10,18,051 | PUC |
| 2011-12 | 20111024 | CHINA P RP | 73043129 | HYDRAULIC CYLINDER TUBE (SIZE: 126 X 110 MM) | 16.16 | 62,152 | 10,04,568 | PUC |
| 2011-12 | 20110924 | U S A | 73042990 | 2-7/8 EUE WL RETRIEVABLE X 1-1/2 GL MANDREL (ESSENTIAL CERTIFICATE NO.ECIN201 | 16.10 | 3,24,909 | 52,30,706 | PUC |
| 2011-12 | 20111012 | CHINA P RP | 73049000 | SEAMLESS CARBON STEEL PIPES ASTM A106 GR.B SIZE:219*23 MM | 16.00 | 63,139 | 10,10,231 | PUC |
| 2011-12 | 20110919 | KOREA RP | 73049000 | COLD DRAWN SEAMLESS STEEL TUBE105 0.DX90 I.D X 4,650 | 15.95 | 89,747 | 14,31,217 | PUC |
| 2011-12 | 20110929 | CHINA P RP | 73043919 | CARBON STEEL SEAMLESS TUBES TO ASTM A106 GR.B (SIZE=OD 50 MM X THK 7.6 MM X LE | 15.90 | 51,846 | 8,24,557 | PUC |
| 2011-12 | 20111004 | JAPAN | 73041910 | C.R ALLOY STEEL TUBE FOR BEARING - SUJ2Z JC - OD35.75MM X WT6.00MM | 15.00 | 1,24,159 | 18,62,391 | PUC |
| 2011-12 | 20110926 | SPAIN | 73045910 | ALLOY STEEL PIPE SEAMLESS ASTMB729 UNS NO8020,SIZE3/4 SCH:S-80S | 13.70 | 1,27,925 | 17,52,573 | PUC |
| 2011-12 | 20111012 | CHINA P RP | 73045110 | BEARING QUALITY STEEL TUBE SAE 52100 AND SUJ-3 (TMB6002OR)SIZE 32.7X 3.3MM | 13.47 | 72,662 | 9,78,539 | PUC |
| 2011-12 | 20111015 | CHINA P RP | 73049000 | SEAMLESS CARBON STEEL PIPES ASTM A 106 GRADE-B (406.4MMX 12.7MM) BDL-11 | 13.00 | 88,389 | 11,49,058 | PUC |
| 2011-12 | 20110923 | CHINA P RP | 73043929 | COLD DRAWN STEEL TUBE (134.5 X 9.75 MM) | 13.00 | 76,629 | 9,96,178 | PUC |
| 2011-12 | 20110920 | CHINA P RP | 73043921 | SEAMLESS CARBON STEEL PIPES (324.000 MTR@ USD 51.28 PER/MTR) | 13.00 | 59,520 | 7,73,763 | PUC |
| 2011-12 | 20111005 | CHINA P RP | 73043119 | SEAMLESS PIPE102*18MM | 13.00 | 52,991 | 6,88,882 | PUC |
| 2011-12 | 20110923 | TAIWAN | 73043129 | HYDRAULIC CYLINDER TUBE (83*70 (PI NO.HT013-20110508)(FOR CAPTIVE CONSUMPTION) | 12.91 | 1,42,432 | 18,38,089 | PUC |
| 2011-12 | 20111018 | CHINA P RP | 73043129 | HYDRAULIC CYLINDER TUBE 83*70(FOR CAPTIVE CONSUMPTION) | 12.75 | 1,35,499 | 17,27,015 | PUC |
| 2011-12 | 20111012 | CHINA P RP | 73043129 | HYDRAULICS CYLINDER TUBE (SZ: 160 X 140 MM) | 12.36 | 57,228 | 7,07,320 | PUC |
| 2011-12 | 20111021 | ITALY | 73069011 | MILD STEEL TUBE GRADE ST52.3 SIZE: 208.75 X 189.17 X 3500 MM [QTY 150.5 MTR] [| 12.25 | 1,02,546 | 12,56,084 | PUC |
| 2011-12 | 20111012 | CHINA P RP | 73043119 | HYDRAULIC CYLINDER TUBE (SIZE: 95 X 80 MM) | 11.09 | 64,524 | 7,15,562 | PUC |
| 2011-12 | 20111024 | CHINA P RP | 73043129 | HYDRAULIC CYLINDER TUBE (SIZE: 120 X 100 MM) | 10.99 | 75,952 | 8,34,750 | PUC |
| 2011-12 | 20110926 | CHINA P RP | 73044900 | D511989 INCOLOY ALLOY 800 HT CD PIPE PKL SLN ANN (NYE1948)(SIZE : 2.5 NB SCH 4 | 10.90 | 1,58,940 | 17,32,442 | PUC |
| 2011-12 | 20110929 | TAIWAN | 73049000 | SEAMLESS PIPE 2.2 MTR [36 NOS] | 10.00 | 46,769 | 4,67,688 | PUC |
| 2011-12 | 20111014 | CHINA P RP | 73043119 | COLD ROLLED PRECISION TUBE SIZE: 60*5MM(ACTUAL USER) | 9.12 | 1,00,104 | 9,12,950 | PUC |
| 2011-12 | 20111012 | CHINA P RP | 73045920 | HOT FINISHED CARBON STEEL SEAMLESS MOTHER PIPES [273.05MM X 25.4MM X 9.65 M | 9.00 | 60,209 | 5,41,884 | PUC |
| 2011-12 | 20110930 | CHINA P RP | 73043119 | HYDRAULIC CYLINDER TUBE (SIZE: 95 X 80 MM) | 8.61 | 67,383 | 5,80,362 | PUC |

**Import Data from DGCIS [All Countries PUC]
Apr 2009 to Jun 2012**

| Year | Date | Country | ITC-HS | Item-Des | Quantity (MT) | Price (Rs./MT) | Value (Rs) | PUC/ NPUC |
|---------|----------|-------------|----------|--|---------------|----------------|------------|--------------|
| 2011-12 | 20111007 | CHINA P RP | 73043939 | HIGH CARBON CHROMIUM BEARING STEEL TUBE SAE 52100 SEAMLESS PIPE 29 X 3.5MM | 8.48 | 76,880 | 6,51,866 | PUC |
| 2011-12 | 20111001 | CHINA P RP | 73069090 | COLD DRAWN SEAMLESS TUBE (140X10X5525MM) | 8.00 | 85,520 | 6,84,156 | PUC |
| 2011-12 | 20111024 | CHINA P RP | 73043139 | HYDRAULIC CYLINDER TUBE (SIZE: 230 X 200 MM) (GR20 RTH) | 7.24 | 1,22,747 | 8,88,691 | PUC |
| 2011-12 | 20111024 | CHINA P RP | 73043139 | HYDRAULIC CYLINDER TUBE (SIZE: 230 X 200 MM) | 7.00 | 98,111 | 6,86,908 | PUC |
| 2011-12 | 20111010 | CHINA P RP | 73043119 | COLD DRAWN SEAMLESS STEEL TUBES SPECIFICATION: GB8162-2008 40CR SIZE: OD 86.5MM | 7.00 | 75,652 | 5,29,565 | PUC |
| 2011-12 | 20110923 | CHINA P RP | 73043919 | COLD DRAWN STEEL TUBE (105.5 X 7.75 MM) | 7.00 | 75,199 | 5,26,395 | PUC |
| 2011-12 | 20111010 | FRANCE | 73043911 | CS SEAMLESS TUBULAR (API 5L GRADE X52 PSL-2) SIZE: 10.0 INCH | 6.20 | 1,76,209 | 10,92,495 | PUC |
| 2011-12 | 20111017 | FRANCE | 73049000 | HOT FINISHED SEAMLESS STEEL PIPES ASME GRADE SA 106C.(2PCS) | 6.00 | 1,31,713 | 7,90,278 | PUC |
| 2011-12 | 20110928 | CHINA P RP | 73045120 | ALLOY STEEL SEAMLESS PIPE GRADE P11 | 6.00 | 94,303 | 5,65,815 | PUC |
| 2011-12 | 20110930 | CHINA P RP | 73045110 | BEARING QUALITY STEEL TUBE SAE 52100 (SIZE 42.7X6.25 MM) | 5.95 | 68,428 | 4,07,081 | PUC |
| 2011-12 | 20111013 | CHINA P RP | 73041110 | SAE1010, 28X2MM SEAMLESS STEEL TUBE | 5.91 | 76,476 | 4,51,668 | PUC |
| 2011-12 | 20111012 | THAILAND | 73069090 | CARBON STEEL PIPE 9 X 0.6 X 2200 MM | 5.47 | 1,65,201 | 9,03,783 | PUC |
| 2011-12 | 20111018 | CHINA P RP | 73043929 | CARBON STEEL PIPE FITTINGS CR (SIZE:1 X 0.5) THICKNESS S40 GRADE A105 | 5.28 | 1,28,032 | 6,76,010 | PUC |
| 2011-12 | 20111011 | JAPAN | 73043119 | SEAMLESS STEEL TUBES GRADE:SCM415 SIZE:OD 30.70X24.85 MM | 5.18 | 1,16,560 | 6,03,781 | PUC |
| 2011-12 | 20111003 | JAPAN | 73041110 | CARBON STEEL SQUARE PIPE 190.7X6.0X1470MM (FOR STRUCTURAL PURPOSE | 5.06 | 3,97,496 | 20,12,833 | PUC |
| 2011-12 | 20111021 | CHINA P RP | 73049000 | SEAMLESS TUBE Q345B/100X50X8.8&8-10MM, MAT NO.60073565 (31PCS)(FOR CONCRETE MAC | 5.05 | 63,753 | 3,21,953 | PUC |
| 2011-12 | 20110920 | GERMANY | 73043919 | SEAMLESS STEEL TUBES 6.35 MM O.D X 1.80 MM ID | 5.03 | 2,95,809 | 14,88,377 | PUC |
| 2011-12 | 20111012 | CHINA P RP | 73049000 | SEAMLESS STEEL BOOM BRACING TUBE (SIZE 83X6X6.31M) | 5.00 | 95,486 | 4,77,430 | PUC |
| 2011-12 | 20111003 | CHINA P RP | 73042990 | 2-3/8 DRILL PIPE GRADE S-135 LBS 6.65 ARNCO 100 XT DRILL PIPE, NEW UNUSED OD: | 4.90 | 5,83,238 | 28,56,774 | PUC |
| 2011-12 | 20111014 | CHINA P RP | 73041990 | PIPE CS SMLS.18 .SCH 120 . A106 GRB..12MTR/DRL.BE... (10.48- MTR) | 4.36 | 1,62,236 | 7,07,837 | PUC |
| 2011-12 | 20110928 | JAPAN | 73049000 | SEAMLESS SECONDARY C.S. PIPES DIFFERENT LENGTH AND SIZES FROM 2 -16 | 4.00 | 26,597 | 1,06,387 | PUC |
| 2011-12 | 20111020 | CHINA P RP | 73041990 | WHEEL CHAIR COMPONENTS SEAMLESS STEEL TUBE | 3.63 | 1,01,244 | 3,67,312 | PUC |
| 2011-12 | 20110929 | CHINA P RP | 73043129 | NON ALLOY STEEL SEAMLESS PIPES API 5L GRADE B 141.3MMX9.53MM | 3.00 | 55,744 | 1,67,231 | PUC |
| 2011-12 | 20110924 | CHINA P RP | 73041910 | PLAIN END SEAMLESS DRILL PIPES OF SIZE : 2-3/8 OD GRADE : 26CRMO4S/2 {326.840 | 2.61 | 89,996 | 2,34,863 | PUC |
| 2011-12 | 20111005 | CHINA P RP | 73043939 | SEAMLESS ALLOY STEEL TUBE GB5310 12CR1MOVG SIZE: 76MM ODX9MM THK | 2.52 | 96,472 | 2,42,626 | PUC |
| 2011-12 | 20111008 | CHINA P RP | 73044900 | 73044900 SEAMLESS STEEL TUBE T23 (57*5.5) | 2.35 | 1,77,626 | 4,18,288 | PUC |
| 2011-12 | 20111005 | GERMANY | 73049000 | M.S. SEAMLESS PIPES, SECOND CHOICE MIX, AS LISTED | 2.00 | 34,498 | 68,996 | PUC |
| 2011-12 | 20111018 | U S A | 73049000 | M.S. SECONDARY SEAMLESS STEEL TUBES MIXED SIZES | 2.00 | 28,340 | 56,679 | PUC |
| 2011-12 | 20111012 | CHINA P RP | 73043119 | SEAMLESS STEEL TUBES 85X65 | 1.17 | 76,604 | 89,294 | PUC |
| 2011-12 | 20111013 | GERMANY | 73043911 | SEAMLESS TUBULAR (API 5L GRADE X52 PSL2) SIZE: OD 48.3 THK : 10.15 | 1.15 | 1,63,714 | 1,87,671 | PUC |
| 2011-12 | 20111013 | CHINA P RP | 73043139 | HONED TUBES C20/P20 BK+S CONDITION (ID-200 X OD-230) | 1.11 | 85,926 | 95,709 | PUC |
| 2011-12 | 20110706 | UKRAINE | 73049000 | SECONDARY CARBON STEEL SEAMLESS PIPES,MIXED SIZES | 1.00 | 7,472 | 7,472 | PUC |
| 2011-12 | 20110930 | CHINA P RP | 73043911 | SEAMLESS CARBON STEEL TUBES (SA210 GRC) (72.900MTR@USD10.42PER/MTR) | 1.00 | 35,376 | 35,376 | PUC |
| 2011-12 | 20110930 | GERMANY | 73049000 | SEAMLESS COLD DRAWN LOW-CARBON STEEL TUBES SAE J 403-95 | 0.94 | 2,86,864 | 2,68,505 | PUC |
| 2011-12 | 20111024 | CHINA P RP | 73043119 | HYDRAULIC CYLINDER TUBE (SIZE: 90 X 75 MM) | 0.76 | 83,054 | 63,389 | PUC |
| 2011-12 | 20110924 | GERMANY | 73043911 | TUBE (IRON) ST-52, 88.9X3.2, LENGTH 12 MM-1 PC | 0.20 | 1,28,633 | 25,212 | PUC |
| 2011-12 | 20111020 | SINGAPORE | 73049000 | OILWELL EQUIPMENT: TUBE, ASSY MANIFOLD (3- NUM) | 0.10 | 79,390 | 7,939 | PUC |
| 2011-12 | 20111007 | U S A | 73049000 | SECONDARY / DEFECTIVE CARBON STEEL SEAMLESS PIPES | 0.10 | 41,020 | 4,102 | PUC |
| 2011-12 | 20110831 | MALAYSIA | 73049000 | CARBON STEEL SECONDARY DEFECTIVE SEAMLESS PIPE | 0.10 | 20,770 | 2,077 | PUC |
| 2011-12 | 20110620 | U ARAB EMTS | 73049000 | SECONDARY SECOND CHOICE CARBON STEEL PIPE FITTING (FLANGES REDUCERS AND ELBOWS | 0.01 | 28,100 | 281 | PUC |
| 2011-12 | 20110620 | U ARAB EMTS | 73049000 | SECONDARY SECOND CHOICE CARBON STEEL SEAMLESS & WELDED PIPEMIX SIZE MIX LOT | 0.01 | 25,800 | 258 | PUC |

**Import Data from DGCIS [All Countries PUC]
Apr 2009 to Jun 2012**

| Year | Date | Country | ITC-HS | Item-Des | Quantity (MT) | Price (Rs./MT) | Value (Rs) | PUC/ NPUC |
|---------|----------|----------------|----------|--|---------------|----------------|--------------|--------------|
| 2011-12 | 20111011 | U K | 73042990 | EXTRUDED PIPES (RETURNED AFTER COMPLETION OF EXHIBITION) | 0.01 | 55,167 | 331 | PUC |
| 2011-12 | 20111011 | CHINA P RP | 73041910 | CLAMP BLOCK,TUBE REF NO VF48208 PO NO 1107-023 (2PCS) | 0.002 | 9,000 | 18 | PUC |
| 2011-12 | 20111011 | U S A | 73069090 | SECONDARY & DEFECTIVE MS PIPES | - | - | 13,041 | PUC |
| 2011-12 | 20110920 | RUSSIA | 73042390 | SEAMLESS STEEL CASING (9.5/8 X 47 PPF R3,BC) (USE IN OILWELL DRILLING OPERAT | 3,276.29 | 50,481 | 16,53,89,874 | PUC |
| 2011-12 | 20111126 | CHINA P RP | 73042990 | LINE PIPE 114.3 X 4.8MM X 12 M, X-42 3 LAYER | 2,600.00 | 11,042 | 2,87,10,196 | PUC |
| 2011-12 | 20111111 | CHINA P RP | 98010013 | 98010013 SEAMLESS CARBON STEEL HOLLOW(S37/26/2011) | 2,574.00 | 62,429 | 16,06,91,153 | PUC |
| 2011-12 | 20111029 | CHINA P RP | 73041910 | PLAIN END SEAMLESS PIPES SIZE: 5-1/2 OD {58810.490 MTRS = 1477.745 MTS (OR) 48 | 1,478.24 | 49,087 | 7,25,63,192 | PUC |
| 2011-12 | 20111117 | CZECH REPUBLIC | 73049000 | STOCK LOT CARBON STEEL SEAMLESS LINE PIPES | 1,341.00 | 32,565 | 4,36,69,488 | PUC |
| 2011-12 | 20111112 | CHINA P RP | 73042390 | CASING PIPE 9-5/8 43.5 PPF J55 BTC R3 API SPAC 5CT (OILFIELD PURPOSE) AS PER D | 1,199.00 | 52,311 | 6,27,20,649 | PUC |
| 2011-12 | 20111029 | CHINA P RP | 73043911 | SEAMLESS STEEL CYLINDER PIPE (34CRMO4) SIZE: 267MM X 6.50MM | 1,146.00 | 66,957 | 7,67,32,163 | PUC |
| 2011-12 | 20111125 | CHINA P RP | 73041910 | PLAIN END SEAMLESS PIPES OF SIZE : 3-1/2 OD { 24618.390 MTRS = 2614 PCS / 331. | 1,052.79 | 52,292 | 5,50,52,683 | PUC |
| 2011-12 | 20111029 | CHINA P RP | 73041910 | PLAIN END SEAMLESS PIPES SIZE :2-7/8 OD {7002.019 MTRS = 81.966 MTS (OR) 730 P | 1,049.87 | 62,259 | 6,53,63,441 | PUC |
| 2011-12 | 20111111 | CHINA P RP | 73043911 | SEAMLESS CARBON STEEL TUBES(TO SPEC SA 210)SIZE AS PER INVOICE | 1,023.00 | 75,513 | 7,72,49,805 | PUC |
| 2011-12 | 20111119 | CHINA P RP | 73042390 | CASING PIPE 7 29PPF N80 BTC R3 API SPAC 5CT (OILFIELD PURPOSE) DGH CERT NO. EC | 976.00 | 55,584 | 5,42,49,668 | PUC |
| 2011-12 | 20111031 | CHINA P RP | 73043911 | SEAMLESS STEEL TUBE OF RELEVANT GRADE 34CRMO4 (SEAMLESS STEEL CYLINDER PIPE) S | 890.65 | 63,984 | 5,69,87,542 | PUC |
| 2011-12 | 20111111 | CHINA P RP | 73043911 | CHINA P RP SEAMLESS CARBON STEEL HOLLOW(S | 577.00 | 62,427 | 3,60,20,595 | PUC |
| 2011-12 | 20111109 | ITALY | 73049000 | SEAMLESS CYLINDER TUBES EN 10305-1 STEEL E355SR, RANDOM LENGTH 5-10MT DIAM. 190 | 429.00 | 5,286 | 22,67,683 | PUC |
| 2011-12 | 20111116 | CHINA P RP | 73043921 | ERW SQUARE HOLLOW(S(CARBON STEEL)TO SPEC ASTM A500SIZE : 200 X 200 X 6 X 10000 M | 402.00 | 60,075 | 2,41,50,124 | PUC |
| 2011-12 | 20111103 | SPAIN | 73043911 | SEAMLESS CARBON STEEL RIFLED TUBES (TO SPEC SA210) (SIZE:51X5.6 MM. MIN X 121 | 397.00 | 1,27,301 | 5,05,38,313 | PUC |
| 2011-12 | 20111019 | MALAYSIA | 73041190 | 5-1/2 DRILL PIPE S GRADE AS PER PO NO 03-0004326 DT.11/05/2011(OILWELL E | 392.83 | 1,09,466 | 4,30,01,712 | PUC |
| 2011-12 | 20111109 | CHINA P RP | 73042990 | CASING PIPE 9-5/8 , N-80, 47 PPF #, BTC (348.117 MTS) (414PCS) (ESSENTIAL CERT | 343.36 | 56,475 | 1,93,91,318 | PUC |
| 2011-12 | 20111125 | ITALY | 98010013 | SEAMLESS CARBON STEEL PIPES TO SPEC SA106{58.57MTR@EUR622.73/MTR}[S37/38/2011/G | 338.00 | 84,801 | 2,86,62,671 | PUC |
| 2011-12 | 20111104 | CHINA P RP | 73043911 | SEAMLESS CARBON STEEL TUBES(SPEC:SA 210)SIZE:AS PER INVOICE | 330.00 | 75,253 | 2,48,33,535 | PUC |
| 2011-12 | 20111111 | CHINA P RP | 73043119 | COLD DRAWN SEAMLESS CARBON STEEL TUBES ST30AL SIZE : 30.0 X4.0 X 10000-12000 M | 310.12 | 61,311 | 1,90,13,722 | PUC |
| 2011-12 | 20111118 | CHINA P RP | 73041190 | SEAMLESS STEEL PIPES AS PER BS 3059 GR.360 (38.1 X 3.25 X11325 MM) | 304.08 | 51,565 | 1,56,80,185 | PUC |
| 2011-12 | 20111029 | KOREA RP | 73041910 | PLAIN END SEAMLESS PIPES OF SIZE: 6-5/8 OD {162.56 MTS = 3018.46 MTR (OR) 245 | 294.80 | 1,43,189 | 4,22,11,578 | PUC |
| 2011-12 | 20111028 | CHINA P RP | 73045920 | SEAMLESS STEEL GAS CYLINDER TUBE 139.7MM X 4.5 MM X 5480 MM | 281.00 | 56,585 | 1,59,00,523 | PUC |
| 2011-12 | 20111029 | CHINA P RP | 73043911 | SEAMLESS STEEL CYLINDERS PIPES (GRADE - 37MN) SIZE: 139.8MMX 4.5MM | 275.00 | 56,025 | 1,54,06,943 | PUC |
| 2011-12 | 20111031 | CHINA P RP | 73043939 | CARBON STEEL SEAMLESS MOTHER PIPES(HOT FINISH) FULLY KILLED SIZE:-38MM OD X 3.2M | 263.00 | 51,505 | 1,35,45,855 | PUC |
| 2011-12 | 20111101 | CHINA P RP | 73043939 | CARBON STEEL SEAMLESS MOTHER PIPES(HOT FINISH) FULLY KILLED SIZE:-38MM OD X 3.00 | 234.00 | 52,006 | 1,21,69,393 | PUC |
| 2011-12 | 20111031 | CHINA P RP | 73043911 | 73043911 SEAMLESS TUBES (CARBON STEEL)TO SPEC.SA210 | 232.00 | 74,482 | 1,72,79,779 | PUC |
| 2011-12 | 20111103 | CHINA P RP | 73043911 | 73043911 SEAMLESS TUBES (CARBON STEEL)TO SPEC SA210 | 230.00 | 85,314 | 1,96,22,258 | PUC |
| 2011-12 | 20111101 | CHINA P RP | 73049000 | RAW MATERIALS | 217.00 | 59,455 | 1,29,01,779 | PUC |
| 2011-12 | 20111116 | CHINA P RP | 73043919 | CARBON STEEL SEAMLESS TUBES ASTM A 179 (SIZE 30 MM OD X 3 MM WT X 10000 - 1180 | 203.00 | 57,589 | 1,16,90,619 | PUC |
| 2011-12 | 20111107 | CHINA P RP | 73041910 | PLAIN END SEAMLESS PIPES OF SIZE: 2-7/8 OD {20039.412 MTRS= 234.836 MTS (OR) 2 | 201.93 | 74,367 | 1,50,17,321 | PUC |
| 2011-12 | 20111031 | CHINA P RP | 73049000 | SECONDARY CARBON SEAMLESS STEEL PIPE | 201.00 | 30,044 | 60,38,905 | PUC |
| 2011-12 | 20111115 | CHINA P RP | 73043919 | CARBON STEEL SEAMLESS TUBES ASTM A179 (SIZE 27 X 2.6 X10000-11800 MM) | 198.39 | 57,558 | 1,14,18,948 | PUC |
| 2011-12 | 20111028 | ECUADOR | 73043929 | HOT FINISHED SEAMLESS TUBES (SIZE-139.7MMX4.5MMX5720MM) | 191.00 | 56,678 | 1,08,25,413 | PUC |
| 2011-12 | 20111020 | CHINA P RP | 73049000 | CARBON STEEL SEAMLESS PIPES STOCK LOT | 191.00 | 31,507 | 60,17,796 | PUC |
| 2011-12 | 20111031 | SWEDEN | 73049000 | SURPLUS (PRIME) NON ALLOY SEAMLESS TUBES - AS PER MILL TESTCERTIFICATE ORDER NO | 188.00 | 36,993 | 69,54,748 | PUC |
| 2011-12 | 20111014 | CHINA P RP | 73042990 | 5-1/2 DRILL PIPES S GRADE AS PER PURCHASE ORDER NO.04-0004946 DATED 11-MAY-2 | 180.86 | 2,38,044 | 4,30,52,802 | PUC |

**Import Data from DGCIS [All Countries PUC]
Apr 2009 to Jun 2012**

| Year | Date | Country | ITC-HS | Item-Des | Quantity (MT) | Price (Rs./MT) | Value (Rs) | PUC/ NPUC |
|---------|----------|------------|----------|---|---------------|----------------|-------------|--------------|
| 2011-12 | 20111111 | SPAIN | 73043911 | SEAMLESS CARBON STEEL RIFLED TUBES TO SPEC SA 210(24.336.45MTR@EUR 12.63/MTR) | 178.00 | 1,27,125 | 2,26,28,231 | PUC |
| 2011-12 | 20111101 | CHINA P RP | 73049000 | SEAMLESS STEEL TUBE FOR | 175.00 | 66,567 | 1,16,49,138 | PUC |
| 2011-12 | 20111102 | CHINA P RP | 73041910 | CARBON STEEL SEAMLESS PIPES ASTM A106 OD 21.3X3.73MM MTRLENGTH METER 5-5.8M | 175.00 | 50,837 | 88,96,423 | PUC |
| 2011-12 | 20111031 | CHINA P RP | 73045110 | BEARING QUALITY STEEL TUBE SAE-52100 (6205M IR) SIZE 34.4 X5.0MM | 169.38 | 71,334 | 1,20,82,756 | PUC |
| 2011-12 | 20111118 | CHINA P RP | 73043911 | 07 X 40' CONTAINERS,SEAM | 168.00 | 73,043 | 1,22,71,214 | PUC |
| 2011-12 | 20111103 | CHINA P RP | 73043911 | 73043911 SEAMLESS CARBON STEEL TUBES(TO SPEC.SA210) | 167.00 | 84,943 | 1,41,85,497 | PUC |
| 2011-12 | 20111104 | CHINA P RP | 73045910 | CARBON STEEL TUBES SA 179 (31.75MM OD X 2.11 MM (MIN)WT X 12400 LG) | 163.58 | 71,367 | 1,16,73,862 | PUC |
| 2011-12 | 20111031 | CHINA P RP | 73043939 | HIGH PRESSURE SEAMLESS STEEL TUBES STANDARD.JISG3429-88(OD267XWT6.3MM) | 150.00 | 70,005 | 1,05,00,741 | PUC |
| 2011-12 | 20111025 | BELGIUM | 73049000 | CARBO STEEL SEAMLESS PIPE (SECONDARY / DEFECTIVE) | 148.00 | 28,012 | 41,45,766 | PUC |
| 2011-12 | 20111031 | CHINA P RP | 73049000 | CARBON STEEL SEAMLESS HOT FINISHED MOTHER PIPES ASTM A 106GR.B BEVEL ENDS SIZE | 148.00 | 46,736 | 69,16,957 | PUC |
| 2011-12 | 20111115 | CHINA P RP | 73049000 | CARBON STEEL SEAMLESS PIPE | 144.00 | 45,013 | 64,81,885 | PUC |
| 2011-12 | 20111121 | CHINA P RP | 73043119 | COLD DRAWN SEAMLESS STEEL TUBES (BLACK) 50MM OD X 38MM ID X 5.5M | 140.00 | 69,751 | 97,65,149 | PUC |
| 2011-12 | 20111024 | BELGIUM | 73049000 | CARBON STEEL SECONDARY DEFECTIVE SEAMLESS PIPE | 131.00 | 38,565 | 50,52,047 | PUC |
| 2011-12 | 20111103 | CHINA P RP | 73042400 | MS SEAMLESS PIPE 48.30MM X 5.5MM - 5.36MTR (TOTAL QTY: 21482.88MTR / USD 6.45/M | 125.00 | 55,481 | 69,35,157 | PUC |
| 2011-12 | 20111108 | CHINA P RP | 73049000 | CARBON STEEL SEAMLESS PIPES GR. API 5L ASTM 106 B | 125.00 | 35,155 | 43,94,427 | PUC |
| 2011-12 | 20111031 | CHINA P RP | 73043919 | CARBON STEEL SEAMLESS TUBES ASTM A179 (SIZE= 45 X 4 X 10000 - 11800 MM) | 124.99 | 57,040 | 71,29,543 | PUC |
| 2011-12 | 20111109 | CHINA P RP | 73049000 | SEAMLESS STEEL TUBE FOR | 124.97 | 66,567 | 83,18,816 | PUC |
| 2011-12 | 20111116 | CHINA P RP | 73043919 | CARBON STEEL SEAMLESS MOTHER PIPES (HOT FINISHED) AS PERDIN 17175 ST 35.8 O | 124.00 | 52,175 | 64,69,699 | PUC |
| 2011-12 | 20111108 | ANGOLA | 73069090 | SECONDARY & DEFECTIVE PIPE OF VARIOUS SIZES PSI NO. 0053328DT. 10.06.11 | 123.00 | 27,860 | 34,26,757 | PUC |
| 2011-12 | 20111122 | CHINA P RP | 73042990 | TUBING 2-7/8 OD 6.5 PPF N-80 EUE(SUPPLY OF EUE PRODUCTION TUBINGS AND PUP JOIN | 119.15 | 65,703 | 78,28,568 | PUC |
| 2011-12 | 20111029 | CHINA P RP | 73043119 | COLD DRAWN SEAMLESS STEEL TUBES (BLACK) 50MM OD X 38MM ID X 5.01MM | 117.00 | 74,529 | 87,19,869 | PUC |
| 2011-12 | 20111109 | CHINA P RP | 73041910 | CS SEAMLESS TUBES ACC.ASTM A 106 GR.B/API 5L GR.B1-1/2 X SCH 80 X 5.8 MTR | 114.08 | 41,291 | 47,10,424 | PUC |
| 2011-12 | 20111029 | CHINA P RP | 73041910 | SEAMLESS STEEL TUBES SIZE 168.3MM X 10.97MM ASTM A 106 GR.B/ API 5L GR.B | 112.00 | 40,510 | 45,37,156 | PUC |
| 2011-12 | 20111101 | CHINA P RP | 98010013 | 98010013 CARBON STEEL SEAMLESS HOLLOW(S)TO SPEC SA210) | 103.00 | 80,009 | 82,40,969 | PUC |
| 2011-12 | 20111116 | CHINA P RP | 73043919 | CARBON STEEL SEAMLESS TUBES ASTM A 179 (SIZE 42 MM OD X 3.2 MM WT X 10000 - 11 | 103.00 | 57,490 | 59,21,515 | PUC |
| 2011-12 | 20111116 | CHINA P RP | 73049000 | HOT ROLLED SEAMLESS PIPES AS PER 42CRMO (OD 114.3 MM , LENGTH 4.21 M) | 102.00 | 42,711 | 43,56,516 | PUC |
| 2011-12 | 20111122 | TURKEY | 73049000 | MILD STEEL SEAMLESS PIPES CONFIRMING TO API 5L GR.B/ASTM A106 GR.B | 99.00 | 35,403 | 35,04,908 | PUC |
| 2011-12 | 20111025 | CHINA P RP | 73043911 | SEAMLESS CARBON STEEL TUBES (63.50*7.10*12.150) | 99.00 | 1,18,865 | 1,17,67,653 | PUC |
| 2011-12 | 20111102 | SAUDI ARAB | 73049000 | SECONDARY SECOND CARBON STEEL SEAMLESS/ WELDED PIPES MIXED THICKNESS MIXED LOT. | 97.51 | 25,953 | 25,30,717 | PUC |
| 2011-12 | 20111025 | CHINA P RP | 73043939 | HOT FINISHED CARBON STEEL SEAMLESS PIPE GRADE DIN 17175 ST.35.8, SIZE: 33.4MM O | 97.00 | 52,810 | 51,22,555 | PUC |
| 2011-12 | 20111118 | CHINA P RP | 73045910 | BEARINGS STEEL TUBES FOR MANUFACTURE OF OR & IR RACES 6006OR 55.70X4.51 | 95.59 | 83,027 | 79,36,845 | PUC |
| 2011-12 | 20111103 | OMAN | 73049000 | SECONDARY SECOND CHOICE CARBON STEEL SEAMLESS PIPES | 95.00 | 28,293 | 26,87,807 | PUC |
| 2011-12 | 20111111 | CHINA P RP | 73049000 | CARBON STEEL SEAMLESS PIPES ACCORDING TO ASTM A106/API 5L/GRADE B | 95.00 | 37,439 | 35,56,678 | PUC |
| 2011-12 | 20111029 | CHINA P RP | 73049000 | SEAMLESS CARBON STEEL PIPE | 94.00 | 36,456 | 34,26,864 | PUC |
| 2011-12 | 20111116 | CHINA P RP | 73043911 | 73043911 SEAMLESS CARBON STEEL HOLLOW(S)TO SPEC SA210) | 92.00 | 80,521 | 74,07,886 | PUC |
| 2011-12 | 20111122 | CHINA P RP | 73043911 | CARBON STEEL SEAMLESS PIPE (HOT FINISHED)33.4 X 6.35 X 5000~7000 | 91.00 | 59,361 | 54,01,852 | PUC |
| 2011-12 | 20111118 | SWEDEN | 73045120 | KANTHAL APM TUBE 154/142X100 OPEN BOTH ENDS (APM STEEL TUBEFOR FURNACE) | 90.69 | 80,320 | 72,84,577 | PUC |
| 2011-12 | 20111031 | CHINA P RP | 73045110 | BEARING QUALITY STEEL TUBE SAE-52100 AND SUJ-3 (TMB6007 IR) SIZE 44 X 4.9MM | 90.68 | 83,717 | 75,91,454 | PUC |
| 2011-12 | 20111111 | SAUDI ARAB | 73049000 | CARBON STEEL PIPES FITTINGS SEAMLESS /WELDED MIXED LOT | 90.00 | 37,657 | 33,89,132 | PUC |
| 2011-12 | 20111029 | CHINA P RP | 73041110 | FINNED TUBES SA 210 GR. A1 TUBE SIZE: 50.8MM OD X 5.5MM THKX 9390MM LG FIN SIZE | 89.00 | 83,672 | 74,46,788 | PUC |
| 2011-12 | 20111029 | U S A | 73049000 | CARBON STEEL SEAMLESS PIPE | 88.00 | 45,658 | 40,17,898 | PUC |

**Import Data from DGCIS [All Countries PUC]
Apr 2009 to Jun 2012**

| Year | Date | Country | ITC-HS | Item-Des | Quantity (MT) | Price (Rs./MT) | Value (Rs) | PUC/ NPUC |
|---------|----------|----------------|----------|---|---------------|----------------|-------------|--------------|
| 2011-12 | 20111104 | SAUDI ARAB | 73049000 | SECONDARY SECOND CARBON STEEL FITTINGS SEAMLESS/ WELDED MIXED THICKNESS MIXED L | 87.80 | 30,874 | 27,10,735 | PUC |
| 2011-12 | 20111107 | GERMANY | 73041910 | PLAIN END SEAMLESS PIPES OF SIZE: 3-1/2 OD {4570.008 MTRS =86.575 MTS (OR) 449 | 86.37 | 62,736 | 54,18,738 | PUC |
| 2011-12 | 20111122 | CHINA P RP | 73043911 | CARBON STEEL SEAMLESS PIPE (HOT FINISHED)21.3 X 3.73 X 5000-7000 | 86.00 | 64,033 | 55,06,843 | PUC |
| 2011-12 | 20111110 | JAPAN | 73043911 | SEAMLESS PIPES - DIN 2448 SIZE: OD 168.3MM X THK.12.5MM - STEEL (ST37.0) DIN 1 | 85.81 | 11,795 | 10,12,110 | PUC |
| 2011-12 | 20111028 | U S A | 73049000 | SECONDARY SECOND CHOICE CARBON STEEL SEAMLESS/WELDED PIPES | 84.00 | 28,010 | 23,52,867 | PUC |
| 2011-12 | 20111114 | CHINA P RP | 73043939 | CARBON SEAMLESS STEEL PIPES OD=88.9 MM WT=7.25MM | 84.00 | 53,485 | 44,92,713 | PUC |
| 2011-12 | 20111115 | ROMANIA | 98010013 | SEAMLESS CARBON STEEL PIPES (TO SPEC SA 106)SIZE AS PER INVOICE S37/26/2011 | 83.00 | 1,70,633 | 1,41,62,536 | PUC |
| 2011-12 | 20110916 | SINGAPORE | 73049000 | SECONDARY DEFECTIVE M.S. SEAMLESS PIPES OF MIX SIZES | 83.00 | 23,417 | 19,43,621 | PUC |
| 2011-12 | 20111117 | CHINA P RP | 73045110 | BEARING QUALITY STEEL TUBE SAE 52100 (6306 OR) SIZE 72.28 X59.81 MM | 82.64 | 75,712 | 62,56,487 | PUC |
| 2011-12 | 20111031 | CHINA P RP | 73045110 | BEARING QUALITY STEEL TUBE SAE 52100 (6306 OR) SIZE 72.28 X59.81 MM | 81.84 | 71,733 | 58,70,449 | PUC |
| 2011-12 | 20111111 | SAUDI ARAB | 73049000 | CARBON STEEL PIPES FITTINGS SEAMLESS / WELDED MIXED LOT | 81.00 | 37,744 | 30,57,294 | PUC |
| 2011-12 | 20111111 | JAPAN | 73049000 | BEARING QUALITY STEEL TUBES SAE52100 OD62.90MM X WT4.85MM | 80.75 | 1,19,814 | 96,75,089 | PUC |
| 2011-12 | 20111029 | U S A | 73049000 | CARBON STEEL SEAMLESS PIPE | 80.00 | 45,934 | 36,74,684 | PUC |
| 2011-12 | 20111028 | SINGAPORE | 73041910 | SECONDARY STEEL PIPE FITTINGS | 78.00 | 28,564 | 22,27,982 | PUC |
| 2011-12 | 20111116 | CHINA P RP | 73043119 | STEEL TUBES / PIPES (BOILER QUALITY SEAMLESS CARBON STEEL PIPES) -SIZE: 273.1MM | 77.85 | 54,429 | 42,37,090 | PUC |
| 2011-12 | 20111117 | CHINA P RP | 73049000 | CARBON STEEL SEAMLESS PIPES API 5L B/A106 GR B/A53B | 77.00 | 37,211 | 28,65,212 | PUC |
| 2011-12 | 20111115 | TURKEY | 73043119 | PRIME CDS HOLLOW SEAMLESS TUBES (39.9MM X 5.8MM X 4540MM) | 76.00 | 56,148 | 42,67,271 | PUC |
| 2011-12 | 20111119 | ROMANIA | 73049000 | STOCK LOT CARBON STEEL SEAMLESS LINE PIPES | 76.00 | 32,719 | 24,86,652 | PUC |
| 2011-12 | 20111107 | INDONESIA | 73041910 | PLAIN END SEAMLESS PIPES OF SIZE: 4-1/2 OD {4423.611 MTR =75.690 MTS (OR) 384 | 75.69 | 49,439 | 37,42,007 | PUC |
| 2011-12 | 20111111 | SAUDI ARAB | 73049000 | CARBON STEEL PIPES FITTINGS SEAMLESS / WELDED MIXED LOT | 72.00 | 37,838 | 27,24,322 | PUC |
| 2011-12 | 20111103 | CHINA P RP | 98010013 | SEAMLESS CARBON STEEL PIPES TO SEPC SA 106 (216 MTRS @ USD 403.53/MTR) S37/14/2 | 71.00 | 1,53,792 | 1,09,19,219 | PUC |
| 2011-12 | 20111031 | CHINA P RP | 73049000 | SECONDARY CARBON SEAMLESS STEEL PIPE | 70.00 | 30,058 | 21,04,082 | PUC |
| 2011-12 | 20111123 | CZECH REPUBLIC | 73049000 | COLD DRAWN SEAMLESS STEEL TUBE150.50 X 7.75 E355 +SR4000-5800 | 69.71 | 91,523 | 63,79,638 | PUC |
| 2011-12 | 20111115 | OMAN | 73069090 | SECONDARY & DEFECTIVE MS PIPES OF VARIOUS SIZES | 69.00 | 26,698 | 18,42,147 | PUC |
| 2011-12 | 20111118 | CHINA P RP | 73049000 | SEAMLESS STEEL PIPES C45-ANEAL SIZE (33.38X3.5X5100-5800 MM) | 69.00 | 57,658 | 39,78,424 | PUC |
| 2011-12 | 20111108 | CHINA P RP | 73043119 | CARBON STEEL SEAMLESS PIPES (89X15X5800MM) | 69.00 | 30,204 | 20,84,083 | PUC |
| 2011-12 | 20111031 | CHINA P RP | 73043911 | SEAMLESS STEEL TUBE OF RELEVANT GRADE 34CRMO4 (SEAMLESS STEEL CYLINDER PIPE) S | 68.93 | 63,984 | 44,10,289 | PUC |
| 2011-12 | 20111031 | U S A | 73049000 | CARBON STEEL SECONDARY DEFECTIVE SEAMLESS PIPE | 67.00 | 28,725 | 19,24,582 | PUC |
| 2011-12 | 20111108 | CHINA P RP | 73043911 | CARBON STEEL SEAMLESS PIPE (HOT FINISHED)33.4 X 4.55 X 5000-7000 | 67.00 | 56,897 | 38,12,074 | PUC |
| 2011-12 | 20111118 | CHINA P RP | 73049000 | HFS TUBE | 66.00 | 59,699 | 39,40,122 | PUC |
| 2011-12 | 20111124 | CHINA P RP | 73049000 | COLD DRAWN SEAMLESS STEEL TUBE,ST35,BK,5-5.8 METER(SIZE : 33.38MM X 6.35MM X 50 | 66.00 | 57,314 | 37,82,697 | PUC |
| 2011-12 | 20111108 | CHINA P RP | 73041990 | SEAMLESS (CARBON STEEL) PIPE AS PER PO NO DDEL/P2/4922,DDEL/P1/4951 AND DDEL/P | 63.00 | 53,001 | 33,39,060 | PUC |
| 2011-12 | 20111122 | CHINA P RP | 73042200 | SEAMLESS CASING - J55 9-5/8 36PPF R3 BTC (ESSENTIAL CERTIFICATE NO.ECIN2011112 | 62.86 | 58,153 | 36,55,369 | PUC |
| 2011-12 | 20111119 | GERMANY | 73043129 | SEAMLESS STEEL TUBE PISTON S355 J2G3 DIA182/114X140MM | 59.00 | 51,070 | 30,13,126 | PUC |
| 2011-12 | 20111108 | CHINA P RP | 73043911 | CARBON STEEL SEAMLESS PIPE (HOT FINISHED)33.4 X 4.55 X 5000-7000 | 59.00 | 56,990 | 33,62,392 | PUC |
| 2011-12 | 20111101 | CHINA P RP | 73042990 | CASING PIPE 9-5/8 , P-110, 53.5 PPF BTC (58.506 MTS)(62 PCS)(INVOICE NO. MUL/O | 57.88 | 61,003 | 35,30,815 | PUC |
| 2011-12 | 20111109 | GERMANY | 73043921 | SEAMLESS STEEL TUBES/ PIPES/GRADE MS SIZE: 88.90 X 5.00MM90.480MTRS | 56.53 | 97,069 | 54,87,418 | PUC |
| 2011-12 | 20111014 | CHINA P RP | 73042990 | 5 INCH DRILLPIPE S GRADE AS PER PO NO: 04-0004945 DT: 11/05/2011 (160 NUM) | 55.83 | 2,44,917 | 1,36,73,728 | PUC |
| 2011-12 | 20111111 | CHINA P RP | 73043129 | HYDRAULIC CYLINDER TUBE 156*130 (PI NO.HT013-20110921)(FOR CAPTIVE CONSUMPTION) | 53.89 | 35,005 | 18,86,324 | PUC |
| 2011-12 | 20111115 | CHINA P RP | 73049000 | SEAMLESS CARBON STEEL PIPE OF ASTM A106 GR.B 114MM X 20MM(APPROX.7M) (14PCS) | 53.00 | 50,780 | 26,91,316 | PUC |
| 2011-12 | 20111118 | CHINA P RP | 73049000 | CARBON STEEL SEAMLESS PIPE GR.ASTM A 106B | 53.00 | 35,943 | 19,04,960 | PUC |

**Import Data from DGCIS [All Countries PUC]
Apr 2009 to Jun 2012**

| Year | Date | Country | ITC-HS | Item-Des | Quantity (MT) | Price (Rs./MT) | Value (Rs) | PUC/ NPUC |
|---------|----------|-------------|----------|--|---------------|----------------|------------|--------------|
| 2011-12 | 20111103 | U ARAB EMTS | 73049000 | SECONDARY SECOND CHOICE CARBON STEEL SEAMLESS/WELDED PIPES | 52.00 | 28,474 | 14,80,655 | PUC |
| 2011-12 | 20111116 | U K | 73049000 | SECONDARY SECOND CHOICE CARBON STEEL SEAMLESS/WELDED PIPES | 52.00 | 28,365 | 14,74,994 | PUC |
| 2011-12 | 20111102 | CHINA P RP | 73043119 | NON ALLOY STEEL SEAMLESS PIPES API 5L GRADE B 73.0MMX7.01MM | 52.00 | 58,785 | 30,56,836 | PUC |
| 2011-12 | 20111114 | CHINA P RP | 73041910 | CARBON STEEL SEAMLESS PIPES ASTM A106 SIZE: 2MM OD X SCH80 MM THK X 5-5.8 METER | 52.00 | 50,672 | 26,34,959 | PUC |
| 2011-12 | 20111114 | CHINA P RP | 73049000 | COLD DRAWN SEAMLESS STEEL PIPE AS PER ASTM A106/A53/API 5L GR.B | 52.00 | 37,108 | 19,29,628 | PUC |
| 2011-12 | 20111031 | CHINA P RP | 73043919 | CARBON STEEL SEAMLESS TUBES ASTM A179 (SIZE 80 MM X4 MM X 7000 MM -8000 MM) | 51.76 | 52,080 | 26,95,869 | PUC |
| 2011-12 | 20111122 | U S A | 73043911 | CARBON STEEL SEAMLESS PIPES (SA106) | 51.35 | 1,22,066 | 62,67,741 | PUC |
| 2011-12 | 20111115 | CHINA P RP | 73041110 | MS PIPES /TUBES 88.9*15*5-5.8M(12.470MTS)/101*10*5-5.8M(15.780MTS)/101*12*5-5.8M | 51.02 | 30,030 | 15,32,251 | PUC |
| 2011-12 | 20111114 | CHINA P RP | 73043939 | SEAMLESS STEEL PIPES - GRADE:B SIZE:3 SCH40 | 51.00 | 47,782 | 24,36,883 | PUC |
| 2011-12 | 20111103 | CHINA P RP | 73049000 | CARBON STEEL SEAMLESS PIPES GR.API 5L GR.B | 51.00 | 35,635 | 18,17,392 | PUC |
| 2011-12 | 20111122 | CHINA P RP | 73041190 | CARBON STEEL SEAMLESS SECONDARY PIPE SIZE 5.7 TO 7.11 X 6.02TO 9.53 MM TH 114 T | 51.00 | 28,581 | 14,57,615 | PUC |
| 2011-12 | 20111103 | GERMANY | 73045910 | SEAMLESS CDS CARBON STEEL TUBES ASME SA 210 GR. A1 SIZE 38.1 X 4.06 X 11000 MM | 50.56 | 63,070 | 31,88,648 | PUC |
| 2011-12 | 20111007 | U ARAB EMTS | 73049000 | STOCK LOT M S PIPES | 50.00 | 30,866 | 15,43,281 | PUC |
| 2011-12 | 20111125 | CHINA P RP | 98010013 | SEAMLESS CARBON STEEL PIPES (TO SPEC SA 106)OD:127.00X25.00X3725 S37/38 /2011 C | 50.00 | 63,040 | 31,52,004 | PUC |
| 2011-12 | 20111117 | CHINA P RP | 73043939 | CARBON SEAMLESS STEEL PIPES 97*5.65 MM | 50.00 | 52,691 | 26,34,562 | PUC |
| 2011-12 | 20111108 | CHINA P RP | 73043939 | SEAMLESS PIPES API 5L ASTM A 106 GR.B SIZE: OD60MM , WT12.5MM , LENGTH1-5.8M | 50.00 | 52,024 | 26,01,186 | PUC |
| 2011-12 | 20111108 | CHINA P RP | 73043939 | SEAMLESS PIPES API 5L ASTM A 106 GR.B , SIZE : OD 60 MM , WT 12.5MM , LENGTH 1 | 50.00 | 51,919 | 25,95,927 | PUC |
| 2011-12 | 20111118 | CHINA P RP | 73041190 | SECONDARY DEFECTIVE CARBON STEEL SEAMLESS PIPE SIZE OD 133 WT 4.5 MM | 50.00 | 28,728 | 14,36,396 | PUC |
| 2011-12 | 20111101 | U S A | 73049000 | CARBON STEEL SEAMLESS PIPES (SA 106) | 49.30 | 1,21,988 | 60,14,019 | PUC |
| 2011-12 | 20111031 | CHINA P RP | 73049000 | SEAMLESS CDS TUBES ASME SA 179(SIZE : 25 X 2.5 X 5800 MM) | 49.00 | 59,140 | 28,97,868 | PUC |
| 2011-12 | 20111102 | CHINA P RP | 73045910 | BEARING SEAMLESS STEEL TUBE 6305OR SIZE-62.83X6.68 | 48.32 | 91,799 | 44,36,096 | PUC |
| 2011-12 | 20111117 | CHINA P RP | 73049000 | CARBON STEEL SEAMLESS PIPES API 5L B/A106 GR B/A53B | 48.00 | 37,924 | 18,20,369 | PUC |
| 2011-12 | 20111108 | CHINA P RP | 73049000 | CARBON STEEL SEAMLESS PIPE ASTM A106 API 5L GR.B | 48.00 | 35,561 | 17,06,907 | PUC |
| 2011-12 | 20111122 | U S A | 73049000 | CARBON STEEL SEAMLESS PIPES (SA106) | 47.20 | 1,22,016 | 57,59,275 | PUC |
| 2011-12 | 20111031 | CHINA P RP | 73049000 | SECONDARY SEAMLESS CARBON STEEL PIPES. | 47.00 | 33,771 | 15,87,226 | PUC |
| 2011-12 | 20111114 | GERMANY | 73049000 | SECONDARY DEFECTIVE M.S. SEAMLESS PIPES | 46.00 | 35,821 | 16,47,764 | PUC |
| 2011-12 | 20111116 | CHINA P RP | 73041190 | COLD DRAWN SEAMLESS STEEL TUBE 5000/5800(50X7) | 46.00 | 60,701 | 27,92,256 | PUC |
| 2011-12 | 20111031 | CHINA P RP | 73049000 | SEAMLESS STEEL PIPES A 106B-BK(SIZE : 34 X 7 X 3000/5800 MM) | 46.00 | 55,039 | 25,31,779 | PUC |
| 2011-12 | 20111119 | CHINA P RP | 73049000 | SEAMLESS CARBON STEEL PIPES ASTM A 106 GRADE-B (273.1MMX 9.27MM) BDL-18 | 46.00 | 49,751 | 22,88,546 | PUC |
| 2011-12 | 20111105 | CHINA P RP | 73043911 | SEAMLESS STEEL TUBE GRADE : GCR 15/SAE 52100SIZE: 35.7 X 27.1 | 45.89 | 69,319 | 31,81,336 | PUC |
| 2011-12 | 20111116 | CHINA P RP | 73045110 | BEARING QUALITY STEEL TUBE SAE-52100 AND SUJ-3 (6212OR) SIZE 111 X 8.3MM | 45.25 | 86,489 | 39,13,815 | PUC |
| 2011-12 | 20111108 | CHINA P RP | 73043119 | PRIME CDS HOLLOW SEAMLESS TUBES SIZE : OD 50 MM X THK 6 MM X LENGHT 5000 MM) | 45.00 | 54,695 | 24,61,281 | PUC |
| 2011-12 | 20111116 | CHINA P RP | 73043121 | SEAMLESS COLD DRAWN CUT TUBES (USED FOR HYDRAULIC CYLINDER COMPONENT CYLINDER) | 42.45 | 1,17,653 | 49,94,240 | PUC |
| 2011-12 | 20111111 | SAUDI ARAB | 73049000 | SECONDARY SECOND CARBON STEEL FITTINGS SEAMLESS/ WELDED MIXED THICKNESS MIXED L | 41.90 | 30,833 | 12,91,923 | PUC |
| 2011-12 | 20111101 | CHINA P RP | 73043129 | HYDRAULIC CYLINDER TUBE (150*125 (PI NO.HT013-20110509)(FOR CAPTIVE CONSUMPTION | 41.68 | 44,620 | 18,59,809 | PUC |
| 2011-12 | 20111007 | JAPAN | 73045110 | ALLOY STEEL SEAMLESS STEEL TUBES O.D.51.55MM X W/TH.6.35MM | 41.34 | 1,77,630 | 73,44,052 | PUC |
| 2011-12 | 20111119 | ROMANIA | 73049000 | STOCK LOT CARBON STEEL SEAMLESS LINE PIPES | 41.00 | 32,706 | 13,40,946 | PUC |
| 2011-12 | 20111102 | CHINA P RP | 73041110 | FINNED TUBES SA 210 GR. A1 TUBE SIZE: 50.8MM OD X 5.5MM THKX 9390MM LG FIN SIZE | 41.00 | 84,969 | 34,83,741 | PUC |
| 2011-12 | 20111029 | CHINA P RP | 73043119 | COLD DRAWN SEAMLESS STEEL TUBES (BLACK) 50MM OD X 38MM ID X 5.5M | 41.00 | 68,967 | 28,27,632 | PUC |
| 2011-12 | 20111018 | CHINA P RP | 73045110 | BEARING QUALITY STEEL TUBE SAE 52100 (BB1103 IR) SIZE 46.75X 34.75 MM | 40.33 | 71,146 | 28,68,960 | PUC |
| 2011-12 | 20111017 | CHINA P RP | 73041910 | COLD DRAWN SEAMLESS CARBON STEEL TUBE ACCORDING TO DIN 1629ST 52 (133 X 4.5MM) | 40.00 | 46,619 | 18,64,770 | PUC |

**Import Data from DGCIS [All Countries PUC]
Apr 2009 to Jun 2012**

| Year | Date | Country | ITC-HS | Item-Des | Quantity (MT) | Price (Rs./MT) | Value (Rs) | PUC/ NPUC |
|---------|----------|--------------|----------|---|---------------|----------------|-------------|--------------|
| 2011-12 | 20111116 | CHINA P RP | 73041110 | COLD DRAWN SEAMLESS TUBES ASME SA 106/API 5L GR.B SIZE: 80NB(88.9MM) X SCH40(5. | 39.55 | 33,590 | 13,28,628 | PUC |
| 2011-12 | 20111109 | CHINA P RP | 73045110 | (SEAMLESS TUBE) SEAMLESS COLD DRAWN CARBON STEEL TUBE (SIZE: 139.50 X 7.25 X 32 | 39.00 | 60,861 | 23,73,598 | PUC |
| 2011-12 | 20111116 | CHINA P RP | 73041110 | CARBON STEEL SEAMLESS TUBES SA 210 GR. A1 50.8 OD X 3.66 WTX 6480 LG AS PER INV | 38.00 | 61,803 | 23,48,524 | PUC |
| 2011-12 | 20111112 | CHINA P RP | 73045110 | (SEAMLESS TUBE)COLD DRAWN SEAMLESS CARBON STEEL TUBE ASTM A519 37MN5 SIZE:88.9X | 37.70 | 62,563 | 23,58,637 | PUC |
| 2011-12 | 20111124 | CHINA P RP | 73069090 | BEARING SEAMLESS STEEL TUBES-6002 IR-SKF3S-OD21.50MMXID14.10MM(COMPOSITION-C-0. | 37.26 | 1,13,437 | 42,26,990 | PUC |
| 2011-12 | 20111111 | GERMANY | 73043911 | SEAMLESS CARBON STEEL TUBES (63.50X7,10 MM)[2332.80MTRS @ EUR 19.85/MTR] | 37.00 | 1,22,844 | 45,45,231 | PUC |
| 2011-12 | 20111021 | CHINA P RP | 73042990 | 2-7/8 OD 6.5 PPF L-80 EUE PUP JOINT 10FT (EC CERT.NO. ECIN201110100019 DT. 10. | 35.82 | 61,181 | 21,91,500 | PUC |
| 2011-12 | 20111116 | ITALY | 73049000 | COLD DRAWN SEAMLESS STEEL TUBE92,00 X 6,00 E355 +SR4000-5800 | 35.22 | 1,69,748 | 59,79,056 | PUC |
| 2011-12 | 20111108 | CHINA P RP | 73043911 | CARBON STEEL SEAMLESS PIPE101.6*4.06*4-6M | 35.00 | 56,233 | 19,68,166 | PUC |
| 2011-12 | 20111103 | CHINA P RP | 98010013 | SEAMLESS CARBON STEEL PIPES TO SPEC SA 106 (S37/16/2011/GR6) | 34.00 | 3,97,341 | 1,35,09,604 | PUC |
| 2011-12 | 20111123 | FRANCE | 73045110 | COLD DRAWN SEAMLESS FERRITIC STEEL HEAT EXCHANGER TUBES CONF.TO SPECN.ASME SA 2 | 33.25 | 1,96,625 | 65,37,395 | PUC |
| 2011-12 | 20111122 | CHINA P RP | 73043129 | HYDRAULIC CYLINDER TUBE 140*125(FOR CAPTIVE CONSUMPTION) | 32.97 | 58,019 | 19,13,099 | PUC |
| 2011-12 | 20111102 | CHINA P RP | 73042990 | SEAMLESS PIPE 114.3 X 7.9MM X-46 3 LAYER POLYETHYLENE COATED | 31.60 | 81,479 | 25,74,935 | PUC |
| 2011-12 | 20111029 | CHINA P RP | 73045110 | STEEL TUBE DIA 4.76 * 0.55 MM WITH ZINC COATED (PART FORREFRIGERATOR)(CAP | 31.42 | 77,278 | 24,27,920 | PUC |
| 2011-12 | 20111029 | CHINA P RP | 73045110 | STEEL TUBE DIA 4.76*0.55MM WITH ZINC COATED (PART FOR REFRIGERATOR)(CAPTIVE CON | 31.42 | 77,278 | 24,27,920 | PUC |
| 2011-12 | 20111020 | CHINA P RP | 73049000 | CARBON STEEL SEAMLESS PIPES STOCK LOT | 30.00 | 31,546 | 9,46,368 | PUC |
| 2011-12 | 20111101 | CHINA P RP | 73042990 | CASING PIPE 9-5/8 , 47PPF L-80 BTC (30.359 MTS)(36 PCS)(INVOICE NO. MUL/ONGC/69 | 29.91 | 58,709 | 17,56,246 | PUC |
| 2011-12 | 20111118 | SOUTH AFRICA | 73043911 | SEIMLESS CARBON STEEL PIPE (SECONDARY/DEFECTIVE)NON ALLOY | 29.00 | 29,040 | 8,42,163 | PUC |
| 2011-12 | 20111029 | CHINA P RP | 73043911 | 73043911 SEAMLESS CARBON STEEL TUBES(TO SPEC SA210) | 29.00 | 74,527 | 21,61,274 | PUC |
| 2011-12 | 20111102 | SOUTH AFRICA | 73049000 | SECONDARY DEFECTIVE PIPES | 27.00 | 26,114 | 7,05,088 | PUC |
| 2011-12 | 20111031 | CHINA P RP | 73049000 | SECONDARY SEAMLESS CARBON STEEL PIPES | 27.00 | 41,238 | 11,13,415 | PUC |
| 2011-12 | 20111117 | CHINA P RP | 73045120 | OD154X ID 130MM X 5-6M READY TO HONE PRECISION TUBE | 26.40 | 56,313 | 14,86,652 | PUC |
| 2011-12 | 20111112 | CHINA P RP | 73041190 | SEAMLESS STEEL TUBES, ST52 (MS) (135*115*4500-5800MM) | 26.03 | 40,330 | 10,49,717 | PUC |
| 2011-12 | 20111102 | U ARAB EMTS | 73049000 | SECONDARY CARBON STEEL SEAMLESS PIPES MIX SIZES | 26.00 | 38,619 | 10,04,102 | PUC |
| 2011-12 | 20111116 | TAIWAN | 73049000 | CARBON STEEL SEAMLESS PIPE | 26.00 | 35,183 | 9,14,755 | PUC |
| 2011-12 | 20111024 | GERMANY | 73049000 | CARBON STEEL SEAMLESS PIPES API SPEC 5L B PSL1/ASTM A106 B | 26.00 | 35,124 | 9,13,221 | PUC |
| 2011-12 | 20111031 | OMAN | 73049000 | SECONDARY DEFECTIVE CARBON STEEL SEAMLESS PIPE | 26.00 | 27,947 | 7,26,619 | PUC |
| 2011-12 | 20111122 | CHINA P RP | 73049000 | SEAMLESS STEEL BOOM BRACING TUBE (SIZE: 83*6*8.85M) (CAPTIVE CONSUMPTION) | 26.00 | 1,02,231 | 26,58,018 | PUC |
| 2011-12 | 20111025 | CHINA P RP | 73041910 | CARBON STEEL SEAMLESS MOTHER TUBES,(FULLY KILLED) ASTM A106GRADE B SIZE:-26.7MM | 26.00 | 59,074 | 15,35,933 | PUC |
| 2011-12 | 20111117 | CHINA P RP | 73049000 | CARBON STEEL SEAMLESS PIPES GR.ASTM A106 | 26.00 | 39,470 | 10,26,225 | PUC |
| 2011-12 | 20111023 | CHINA P RP | 73049000 | SECONDARY CARBON STEEL SEAMLESS PIPES | 26.00 | 29,847 | 7,76,029 | PUC |
| 2011-12 | 20111119 | CHINA P RP | 73049000 | HONED / SKIVING ROLLER BUNISHER TUBE (ODXID MM) (105X90X5147MM) | 25.83 | 79,486 | 20,53,378 | PUC |
| 2011-12 | 20111108 | JAPAN | 73049000 | SECONDARY SEAMLESS CARBON STEEL PIPES | 25.00 | 40,169 | 10,04,225 | PUC |
| 2011-12 | 20111116 | THAILAND | 73049000 | SECONDARY DEFECTIVE CARBON STEEL SEAMLESS PIPES | 25.00 | 28,725 | 7,18,134 | PUC |
| 2011-12 | 20111031 | OMAN | 73049000 | SECONDARY DEFECTIVE CARBON STEEL SEAMLESS PIPE | 25.00 | 28,453 | 7,11,316 | PUC |
| 2011-12 | 20111021 | CHINA P RP | 73043129 | COLD DRAWN STEEL TUBE (137.00 X 6.25MM) | 25.00 | 77,706 | 19,42,644 | PUC |
| 2011-12 | 20111105 | U S A | 73049000 | CARBON STEEL SEAMLESS PIPES (SA 106) | 24.85 | 1,22,515 | 30,44,861 | PUC |
| 2011-12 | 20111019 | CHINA P RP | 73042990 | 5 1/2 DRILL PIPE S GRADE AS PER PO NO: 03-0004327/11/05/2011 (OILWELL EQUIPMENT | 24.81 | 3,27,255 | 81,18,776 | PUC |
| 2011-12 | 20111118 | GERMANY | 73043129 | HYDRAULIC PIPES 114.3 X 3.6 | 24.68 | 64,622 | 15,94,672 | PUC |
| 2011-12 | 20111124 | CHINA P RP | 73043119 | SEAMLESS STEEL PIPES ASTM A106 GR. B 44.5 X 5.5 X 5000-5800MM | 24.56 | 57,507 | 14,12,210 | PUC |
| 2011-12 | 20111104 | CHINA P RP | 73043119 | SEAMLESS STEEL PIPES ASTM A106 GR. B 44.5 X 5.5 X 5000-5800MM | 24.22 | 57,507 | 13,92,945 | PUC |

**Import Data from DGCIS [All Countries PUC]
Apr 2009 to Jun 2012**

| Year | Date | Country | ITC-HS | Item-Des | Quantity (MT) | Price (Rs./MT) | Value (Rs) | PUC/ NPUC |
|---------|----------|-------------|----------|---|---------------|----------------|------------|--------------|
| 2011-12 | 20111114 | TRINIDAD | 73043121 | COLD DRAWN PRECISION DIESEL INJECTION TUBES OD 6,00 X ID 2,00 X 5.800 MM(5336.0 | 24.11 | 73,815 | 17,79,319 | PUC |
| 2011-12 | 20111121 | ITALY | 98010013 | SEAMLESS CARBON STEEL PIPES TO SPEC SA106[S37/38/2011/GR6][552.91MTR@EUR59.23/M | 24.00 | 95,287 | 22,86,899 | PUC |
| 2011-12 | 20111022 | GERMANY | 73049000 | CARBON STEEL SEAMLESS PIPES A 106 GR.B | 24.00 | 51,687 | 12,40,496 | PUC |
| 2011-12 | 20111114 | CHINA P RP | 73043911 | 73043911 SEAMLESS TUBES (CARBON STEEL)TO SPEC.SA210 | 24.00 | 80,343 | 19,28,232 | PUC |
| 2011-12 | 20111109 | CHINA P RP | 73049000 | CARBON STEEL SEAMLESS PIPE AS PER ASTM A106 GR B , PLAIN ENDS, ANTI RUST COATI | 24.00 | 56,335 | 13,52,041 | PUC |
| 2011-12 | 20111115 | CHINA P RP | 73041990 | CARBON STEEL SEAMLESS PIPES AS PER ASTM A106 GRB BARE PIPE SIZE : OD: 50 MM X W | 24.00 | 47,772 | 11,46,530 | PUC |
| 2011-12 | 20111021 | CHINA P RP | 73049000 | STEEL TUBES OF 100CR6 FOR MFG.OF BEARINGS SIZE: 62.95 X6.1MM (C-0.97, SI-0.30, | 23.92 | 95,083 | 22,74,580 | PUC |
| 2011-12 | 20111031 | FRANCE | 73043119 | PLAIN END SEMS.TUBES/PIPES(COLD DRN.SEM.CRN.STEEL DRG.TUBE/PIPE)OUT DIA.114.300 | 23.79 | 1,26,506 | 30,09,329 | PUC |
| 2011-12 | 20111114 | CHINA P RP | 73041990 | BEARING QUALITY STEEL TUBE 33*3.5 (10 BUNDLES) | 23.19 | 82,084 | 19,03,696 | PUC |
| 2011-12 | 20111031 | ITALY | 73049000 | SECONDARY SEAMLESS CARBON STEEL PIPES | 23.00 | 38,997 | 8,96,941 | PUC |
| 2011-12 | 20111130 | U S A | 73069090 | SECONDARY & DEFECTIVE MS PIPES | 23.00 | 30,796 | 7,08,299 | PUC |
| 2011-12 | 20111115 | CHINA P RP | 73045920 | HOT FINISHED CARBON STEEL SEAMLESS MOTHER PIPES [127MM X9.52MM X 7.03M] | 23.00 | 59,542 | 13,69,459 | PUC |
| 2011-12 | 20111103 | CHINA P RP | 73041910 | SEAMLESS CARBON STEEL PIPE (AS PER INVOICE) | 23.00 | 56,341 | 12,95,835 | PUC |
| 2011-12 | 20111025 | CHINA P RP | 73041910 | SEAMLESS STEEL PIPE (MADE OUT OF MILD STEEL API 5L GRADE - B)(40 X 8.50 X 3.5-5 | 23.00 | 48,700 | 11,20,102 | PUC |
| 2011-12 | 20111121 | ITALY | 73049000 | HCPROSDEN1020C0002 HYDRAULIC CYLINDERS TUBE SEAMLESS STELLPIPES HP PISTON RO(OD | 22.36 | 1,12,176 | 25,08,142 | PUC |
| 2011-12 | 20111109 | JAPAN | 73049000 | SECONDARY SEAMLESS CARBON STEEL PIPES DIFFERENT LENGTH AND SIZES FROM 2 -16 | 22.00 | 28,343 | 6,23,553 | PUC |
| 2011-12 | 20111103 | CHINA P RP | 73041190 | SEAMLESS STEEL TUBE SIZE 38 X 12MM | 22.00 | 51,386 | 11,30,498 | PUC |
| 2011-12 | 20111112 | CHINA P RP | 73045120 | CARBON STEEL SEAMLESS TUBES ASTM A106 GRADE B | 22.00 | 45,076 | 9,91,664 | PUC |
| 2011-12 | 20111121 | CHINA P RP | 73045910 | CARBON STEEL TUBES SA179 (31.75MM OD X 2.11 MM (MIN)WT X 12400LG) | 21.20 | 71,367 | 15,12,823 | PUC |
| 2011-12 | 20111109 | U ARAB EMTS | 73049000 | M. S. SECONDARY DEFECTIVE SEAMLESS PIPE | 21.00 | 28,060 | 5,89,258 | PUC |
| 2011-12 | 20111115 | CHINA P RP | 73045920 | HOT FINISHED CARBON STEEL SEAMLESS MOTHER PIPES [73.02MM X 5.16MM X 3.37M] | 21.00 | 61,310 | 12,87,516 | PUC |
| 2011-12 | 20111018 | CHINA P RP | 73049000 | CARBON STEEL SEAMLESS PIPES ACC TO ASTM A 106/API 5L GR.B (INCH 20 X 9.5 MM) (S | 21.00 | 59,903 | 12,57,965 | PUC |
| 2011-12 | 20111025 | CHINA P RP | 73043119 | SEAMLESS CARBON STEEL PIPES (GRADE A-106 B) SIZE : 114.3 MM X 6.02 MM | 21.00 | 53,928 | 11,32,494 | PUC |
| 2011-12 | 20111124 | CHINA P RP | 73045930 | CARBON STEEL SEAMLESS PIPE, ASTM A106/API 5L GR.B(273.10MM X 7.10MM) | 21.00 | 51,081 | 10,72,709 | PUC |
| 2011-12 | 20111109 | CHINA P RP | 73042990 | CASING PIPE 9-5/8 , N-80, 47 PPF #, BTC (20.919 MTS) (25 PCS) (ESSENTIAL CERTI | 20.63 | 56,481 | 11,65,242 | PUC |
| 2011-12 | 20111027 | SWAZILAND | 73043121 | SEAMLESS TUBES AS PER EN 10210-1-2-2006 STEEL GRADE S 355J2H (SIZE 267 OD X 28 | 20.31 | 73,555 | 14,93,630 | PUC |
| 2011-12 | 20111108 | JAPAN | 73041910 | C.R. ALLOY STEEL TUBE FOR BEARING SUJZZ JC OD 35. 75 MM X WT 6.00 MM | 20.00 | 1,31,417 | 26,28,342 | PUC |
| 2011-12 | 20111118 | CHINA P RP | 73045110 | STEEL TUBE DIA 4.76*0.65MM WITH COPPER COATED (PART FOR REFRIGRATOR) (CAPTIV | 19.81 | 68,347 | 13,53,801 | PUC |
| 2011-12 | 20111109 | CHINA P RP | 73043119 | SEAMLESS COLD DRAWN TUBES SEHERODIZED ANNEALED GRADE SAE52100/GCR15 SIZE 38.85 | 19.62 | 79,999 | 15,69,909 | PUC |
| 2011-12 | 20111116 | CHINA P RP | 73041910 | COLD DRAWN SEAMLESS STEE | 19.57 | 1,08,193 | 21,17,345 | PUC |
| 2011-12 | 20111111 | FRANCE | 73043119 | PLAIN END SEMS.TUBES/PIPES(COLD DRN.SEM.CRN.STEEL DRG.TUBE/PIPE)OUT DIA.88.900* | 19.42 | 1,27,222 | 24,71,160 | PUC |
| 2011-12 | 20111031 | MEXICO | 73049000 | CARBON STEEL SEAMLESS PIPE SECOND STOCK LOT | 19.00 | 28,074 | 5,33,400 | PUC |
| 2011-12 | 20111101 | U ARAB EMTS | 73069090 | SECONDARY DEFECTIVE MS PIPES | 19.00 | 27,846 | 5,29,066 | PUC |
| 2011-12 | 20111108 | CHINA P RP | 73049000 | STEEL TUBES SAE 5210019.7 OD X 2.65 WT | 19.00 | 99,612 | 18,92,625 | PUC |
| 2011-12 | 20111115 | JAPAN | 73049000 | SEAMLESS ALLOY STEEL TUBES JIS G3441 SCM415TK 32.80MM OD X 24.60MM ID X 5M | 18.67 | 1,77,521 | 33,14,491 | PUC |
| 2011-12 | 20111114 | CHINA P RP | 73049000 | CARBON STEEL SEAMLESS PIPES (SA 106) | 18.29 | 1,04,135 | 19,04,638 | PUC |
| 2011-12 | 20111121 | CHINA P RP | 73043119 | SKRIVING & BURNISHING TUBE DIN2391 H8, GRADE-ST52, ID-125MMOD-140MM, THICKNESS- | 18.13 | 96,004 | 17,40,076 | PUC |
| 2011-12 | 20111104 | KUWAIT | 73049000 | SECONDARY DEFECTIVE CARBON STEEL PIPES FITTING | 18.00 | 31,032 | 5,58,575 | PUC |
| 2011-12 | 20111117 | CHINA P RP | 73049000 | CS SEAMLESS PIPES SCHEDULE40 GR.B(ASTM A106),33.4MM X 3.38MM X 5.8 METER | 18.00 | 64,120 | 11,54,153 | PUC |
| 2011-12 | 20111027 | U ARAB EMTS | 73041110 | SEAMLESS TUBES(L80 TUBING) PROCESS:BORING OF ID TO 2.2- SIZE3.50 ODX17.344 FT L | 17.33 | 30,520 | 5,28,761 | PUC |
| 2011-12 | 20111108 | U S A | 73049000 | PIPES SPEC SA106 | 16.27 | 1,79,505 | 29,21,077 | PUC |

**Import Data from DGCIS [All Countries PUC]
Apr 2009 to Jun 2012**

| Year | Date | Country | ITC-HS | Item-Des | Quantity (MT) | Price (Rs./MT) | Value (Rs) | PUC/ NPUC |
|---------|----------|-------------|----------|---|---------------|----------------|------------|--------------|
| 2011-12 | 20111111 | CHINA P RP | 73043129 | HYDRAULIC CYLINDER TUBE (SIZE: 180 X 150 MM) | 16.06 | 65,694 | 10,54,937 | PUC |
| 2011-12 | 20111117 | ROMANIA | 98010013 | 98010013 SEAMLESS PIPES(C/S)(S37/38/2011)TO SPEC.SA106 | 16.00 | 1,66,306 | 26,60,893 | PUC |
| 2011-12 | 20111104 | KUWAIT | 73049000 | SECONDARY DEFECTIVE CARBON STEEL PIPES SEAMLESS | 16.00 | 28,489 | 4,55,826 | PUC |
| 2011-12 | 20111108 | SWEDEN | 73069090 | SECONDARY AND DEFECTIVE PIPES | 16.00 | 25,800 | 4,12,794 | PUC |
| 2011-12 | 20111109 | CHINA P RP | 73069090 | PIPE B-36.10 ASTM A 106 GR B PE SEAMLESS 0.5 INCH XS | 15.71 | 4,11,753 | 64,67,398 | PUC |
| 2011-12 | 20111122 | CHINA P RP | 73045110 | COLD DRAWN SEAMLESS CARBON STEEL TUBES ASTM A519 GRADE SAE1040(SIZE:67.00X8.00X | 15.00 | 50,247 | 7,53,703 | PUC |
| 2011-12 | 20111029 | ITALY | 73043121 | SEAMLESS COLD DRAWN TUBES HYDRAULIC CYLINDERS TUBE(USED FORHYDRAULIC CYLINDER E | 14.93 | 1,13,175 | 16,89,365 | PUC |
| 2011-12 | 20111124 | U S A | 73049000 | 1/4 OD X 0.035 MONEL SEAMLESS TUBE (B163 A400) | 14.70 | 1,50,508 | 22,12,468 | PUC |
| 2011-12 | 20111117 | INDONESIA | 73049000 | SEMI PROFILE KBK II-(LAUFBAHNHALFTE KBK II-918 MTR | 14.50 | 79,423 | 11,51,635 | PUC |
| 2011-12 | 20111031 | CHINA P RP | 73041190 | SEAMLESS STEEL TUBES ST19.40MMX12.033MM SCM415H | 14.44 | 1,37,702 | 19,88,144 | PUC |
| 2011-12 | 20111103 | CHINA P RP | 73045910 | BEARING SEAMLESS STEEL TUBE 6304OR SIZE-52.90X6.25 | 12.76 | 79,110 | 10,09,290 | PUC |
| 2011-12 | 20111117 | CHINA P RP | 73043129 | HONED TUBE (OD 114.3 MM X ID 100 MM) | 12.66 | 66,079 | 8,36,775 | PUC |
| 2011-12 | 20111107 | CANADA | 73043911 | SEAMLESS TUBULAR (API 5L GRADE X52 PSL2) SIZE: 12 (C.O.: GERMANY) | 12.00 | 1,01,030 | 12,12,355 | PUC |
| 2011-12 | 20111103 | CHINA P RP | 73045910 | BEARING SEAMLESS STEEL TUBE 420205IR SIZE- 33.5X4.7 | 11.81 | 76,566 | 9,03,936 | PUC |
| 2011-12 | 20111111 | CHINA P RP | 73041910 | PLAIN END SEAMLESS PIPES OF SIZE: 6-5/8 OD {11.2809 MTS = 209.461 MTR (OR) 17 | 11.28 | 84,245 | 9,50,279 | PUC |
| 2011-12 | 20111020 | CHINA P RP | 73045910 | BEARING SEAMLESS STEEL TUBE - 6001 IR , STEEL GRADE: SKF3S,SIZE: OD17.80MM X I | 11.00 | 1,18,548 | 13,04,024 | PUC |
| 2011-12 | 20110916 | CHINA P RP | 73041990 | CARBON STEEL SEAMLESS TUBES 38MM OD X 11MM THK X 5.4M(ASTM A 106 GR B)22 PCS/11 | 11.00 | 55,262 | 6,07,887 | PUC |
| 2011-12 | 20111117 | CHINA P RP | 73043119 | HONED TUBE (OD 82 MM X ID 70 MM) | 10.52 | 55,554 | 5,84,330 | PUC |
| 2011-12 | 20110905 | U ARAB EMTS | 73041990 | SERVICEABLE PIPES | 10.00 | 32,952 | 3,29,516 | PUC |
| 2011-12 | 20111108 | CHINA P RP | 73043119 | PRIME CDS HOLLOW SEAMLESS TUBES SIZE : OD 69.85 MM X THK 6 MM X LENGHT 5750 MM) | 10.00 | 53,044 | 5,30,444 | PUC |
| 2011-12 | 20111103 | CHINA P RP | 73043119 | SEAMLESS HONE TUBE | 9.66 | 98,944 | 9,55,309 | PUC |
| 2011-12 | 20111114 | CHINA P RP | 73043129 | HYDRAULIC CYLINDER TUBE # 83*70(FOR CAPTIVE CONSUMPTION) | 9.32 | 1,81,914 | 16,95,989 | PUC |
| 2011-12 | 20111022 | CHINA P RP | 73042990 | 2-7/8 OD 6.5 PPF L-80 EUE PUP JOINT 8FT(E.C NO.ECIN201110130009 DTD.13/10/2011 | 9.29 | 1,83,112 | 17,00,217 | PUC |
| 2011-12 | 20111102 | SAUDI ARAB | 73049000 | SECONDARY SECOND CARBON STEEL SEAMLESS/ WELDED PIPES MIXED THICKNESS MIXED LOT. | 9.25 | 28,040 | 2,59,226 | PUC |
| 2011-12 | 20111104 | CHINA P RP | 73042990 | 2-7/8 OD 6.5 PPF L-80 EUE PUP JOINT 8FT (E.C NO.ECIN201110240006 DTD.24/10/201 | 8.82 | 1,91,577 | 16,89,879 | PUC |
| 2011-12 | 20111021 | CHINA P RP | 73043129 | COLD DRAWN STEEL TUBE [117.50X8.75MM] | 8.00 | 77,392 | 6,19,132 | PUC |
| 2011-12 | 20111108 | CHINA P RP | 73045110 | BEARING QUALITY STEEL TUBE SAE52100 SIZE : 60.6X7.5 | 7.92 | 71,572 | 5,66,775 | PUC |
| 2011-12 | 20111114 | CHINA P RP | 73049000 | CARBON STEEL CDS TUBE AS PER SA210GR A1 SIZE:13.50*2.90*5000-7000MM | 7.82 | 78,278 | 6,11,979 | PUC |
| 2011-12 | 20111103 | CHINA P RP | 73043129 | SEAMLESS HONE TUBE | 7.27 | 98,597 | 7,17,096 | PUC |
| 2011-12 | 20111025 | GERMANY | 73043129 | COLD DRAWN SMLS CYLINDER TUBES (57400 MTR) E355 SR EN 10305/1 INSIDE H8 SZ: 78 | 7.02 | 1,74,797 | 12,27,078 | PUC |
| 2011-12 | 20111117 | ROMANIA | 98010013 | 98010013 SEAMLESS PIPES(C/S)(S37/25/2010)TO SPEC.SA106 | 7.00 | 1,13,746 | 7,96,225 | PUC |
| 2011-12 | 20111115 | TAIWAN | 73041910 | STEEL TUBE (PENTAGON) JIS G3472, STAM390GA, PO (10.0 X 89.0X 1.6 X 5520MM) | 7.00 | 1,08,623 | 7,60,360 | PUC |
| 2011-12 | 20111021 | CHINA P RP | 73043119 | COLD DRAWN STEEL TUBE (82.00 X 6.25MM) | 7.00 | 1,72,805 | 12,09,634 | PUC |
| 2011-12 | 20111122 | THAILAND | 73069090 | CARBON STEEL PIPE - 9 X 0.6 X 2200 MM | 6.84 | 1,65,393 | 11,31,044 | PUC |
| 2011-12 | 20111114 | SPAIN | 73041190 | CDS READY TO HONED TUBE 205 X 180 X 7500 | 6.68 | 81,690 | 5,45,544 | PUC |
| 2011-12 | 20111019 | CHINA P RP | 73045110 | BEARING QUALITY STEEL TUBE SAE 52100 (SIZE 55.6 X 7.1 MM) | 6.45 | 70,928 | 4,57,273 | PUC |
| 2011-12 | 20111029 | JAPAN | 73049000 | SEAMLESS CARBON STEEL PIPE ASME SA106 GR.C, OD 60.3MM X WT 11.07MM X F/L 11900M | 6.00 | 1,62,696 | 9,76,177 | PUC |
| 2011-12 | 20111021 | CHINA P RP | 73043119 | COLD DRAWN STEEL TUBE [73.00X5.00MM] | 6.00 | 1,91,211 | 11,47,268 | PUC |
| 2011-12 | 20111116 | CHINA P RP | 73043929 | SEAMLESS STEEL PIPE SIZE:185*22MM | 5.53 | 62,246 | 3,43,972 | PUC |
| 2011-12 | 20111125 | JAPAN | 73041110 | CARBON STEEL SQUARE PIPE STKM13A 190.7X6.0X1470MM (FOR DUMPTRUCK INDUSTRY) | 5.30 | 4,10,472 | 21,77,519 | PUC |
| 2011-12 | 20111115 | ROMANIA | 98010013 | SEAMLESS CARBON STEEL PIPES (TO SPEC SA 106)SIZE AS PER INVOICE S37/26/2011 CI | 5.00 | 1,22,555 | 6,12,774 | PUC |

**Import Data from DGCIS [All Countries PUC]
Apr 2009 to Jun 2012**

| Year | Date | Country | ITC-HS | Item-Des | Quantity (MT) | Price (Rs./MT) | Value (Rs) | PUC/ NPUC |
|---------|----------|-------------|----------|---|---------------|----------------|------------|--------------|
| 2011-12 | 20111111 | CHINA P RP | 73042990 | SEAMLESS STEEL PIPES | 5.00 | 59,669 | 2,98,344 | PUC |
| 2011-12 | 20111115 | CHINA P RP | 73049000 | CARBON STEEL SEAMLESS PIPE | 5.00 | 46,865 | 2,34,324 | PUC |
| 2011-12 | 20111121 | CHINA P RP | 73069011 | MILD STEEL TUBE GRADE ST 52.3 SIZE: 137/1500MM [QTY 70 PCS] | 4.97 | 1,56,704 | 7,78,033 | PUC |
| 2011-12 | 20111117 | SINGAPORE | 73042390 | PIPE, STEEL LINE 2 IN SCH 80 SEAMLESS 21 | 4.90 | 17,836 | 87,394 | PUC |
| 2011-12 | 20111108 | GERMANY | 73043921 | MS STEEL TUBES SMLS SIZE : 273.00 X 6.30MM 117.800 MTRS | 4.88 | 87,831 | 4,28,703 | PUC |
| 2011-12 | 20111013 | CHINA P RP | 73042990 | 2-7/8 OD 6.5 PPF L-80 EUE PUP JOINT 8FT (E.C NO.ECIN201110110001 DTD.11/10/201 | 4.10 | 2,07,344 | 8,50,109 | PUC |
| 2011-12 | 20111020 | CHINA P RP | 73045110 | BEARING QUALITY STEEL TUBE SAE52100 55.6/7.1 | 4.05 | 70,928 | 2,87,258 | PUC |
| 2011-12 | 20111017 | CHINA P RP | 73041910 | COLD DRAWN SEAMLESS CARBON STEEL TUBE ACCORDING TO DIN 1629ST 52 (133 X 4.5MM) | 4.00 | 46,261 | 1,85,044 | PUC |
| 2011-12 | 20111119 | TAIWAN | 73045110 | BEARING QUALITY STEEL TUBE SAE52100 SIZE: 38.7*3.7 | 3.86 | 70,070 | 2,70,751 | PUC |
| 2011-12 | 20111116 | CHINA P RP | 73049000 | CARBON STEEL SEAMLESS TUBES-249.7MMX299MMX2290MM | 3.83 | 80,616 | 3,08,841 | PUC |
| 2011-12 | 20111111 | CHINA P RP | 73043119 | HYDRAULIC CYLINDER TUBE (SIZE: 90 X 80 MM) | 3.75 | 90,492 | 3,39,664 | PUC |
| 2011-12 | 20111117 | CHINA P RP | 73041990 | SEAMLESS STEEL TUBE 2 TO 4 | 3.61 | 86,924 | 3,14,057 | PUC |
| 2011-12 | 20111104 | JAPAN | 73045120 | HOT FINISHED SEAMLESS C/A STEEL PIPES GR.SA106-B SIZE:219.10 ODX42.00 WTX6000 M | 3.30 | 1,00,064 | 3,30,513 | PUC |
| 2011-12 | 20111031 | CHINA P RP | 73043919 | CARBON STEEL SEAMLESS TUBES ASTM A179 (SIZE= 45 X 4 X 10000 - 11800 MM) | 3.12 | 57,040 | 1,77,737 | PUC |
| 2011-12 | 20111117 | ROMANIA | 98010013 | 98010013 SEAMLESS PIPES(C/S)(S37/16/2011)TO SPEC.SA106 | 3.00 | 1,75,006 | 5,25,018 | PUC |
| 2011-12 | 20111117 | ROMANIA | 98010013 | 98010013 SEAMLESS PIPES(C/S)(S37/27/2011)TO SPEC.SA106 | 3.00 | 1,43,336 | 4,30,007 | PUC |
| 2011-12 | 20111103 | OMAN | 73049000 | SECONDARY SECON CHOICE CARBON STEEL SEAMLESS PIPES | 3.00 | 25,558 | 76,673 | PUC |
| 2011-12 | 20111109 | JAPAN | 73049000 | SECONDARY SEAMLESS CARBON STEEL PIPES DIFFERENT LENGTH AND SIZES FROM 2 -16 | 3.00 | 25,037 | 75,110 | PUC |
| 2011-12 | 20111124 | CHINA P RP | 73049000 | COLD DRAWN SEAMLESS STEEL TUBE ST35,BK,5-5.8 METER(SIZE : 33.38MM X 3.38MM X 50 | 3.00 | 52,084 | 1,56,253 | PUC |
| 2011-12 | 20111114 | CHINA P RP | 73049000 | CARBON STEEL SEAMLESS PIPES (SA 106) | 2.71 | 88,694 | 2,40,360 | PUC |
| 2011-12 | 20111119 | ITALY | 73043119 | 7704569 PIPE (FOR CAPTIVE USE) (16 PCS) | 2.50 | 64,282 | 1,60,704 | PUC |
| 2011-12 | 20111117 | SWEDEN | 73049000 | HOT ROLLED TUBES IN RANDOM LENGTHS 11090 GRADE OVAKO 280T :111.70 X 87.00MM | 2.36 | 1,30,284 | 3,07,340 | PUC |
| 2011-12 | 20111129 | U S A | 73069090 | CDS TUBE (R42 X 3)(705-50-32507) | 2.27 | 1,68,807 | 3,82,974 | PUC |
| 2011-12 | 20111126 | CHINA P RP | 73041190 | SEAMLESS HOLLOW SECTION (SIZE : 100 X 80 X 10MM) | 2.04 | 1,72,093 | 3,51,530 | PUC |
| 2011-12 | 20111121 | CHINA P RP | 73043139 | SKRIVING & BURNISHING TUBE DIN2391 H8, GRADE-ST52,ID-200MMOD-230MM, THICKNESS-1 | 2.02 | 96,004 | 1,93,448 | PUC |
| 2011-12 | 20111111 | CHINA P RP | 73041910 | PLAIN END SEAMLESS PIPES OF SIZE: 6-5/8 OD {11.2809 MTS = 209.461 MTR (OR) 17 | 1.95 | 1,20,080 | 2,34,409 | PUC |
| 2011-12 | 20111102 | GERMANY | 73043939 | STEEL TUBES, HEAVY WALL, SMLS 38.00 MM 3.60 MM E355 P355N S355J2H EN 10210-1 EN | 1.78 | 1,11,367 | 1,97,677 | PUC |
| 2011-12 | 20111019 | CHINA P RP | 73042990 | 2-7/8 INCH OD 6.5 PPF L-80 EUE PUP JOINT 8FT(E.C NO.ECIN201110110018 DTD.11/10/ | 1.60 | 1,41,685 | 2,26,696 | PUC |
| 2011-12 | 20111031 | JAPAN | 73045110 | SEAMLESS STEEL TUBES (COLD ROLLED CARBON STEEL TUBES TSM-2720 R2 GRADE SAE 1541 | 1.00 | 1,42,110 | 1,42,110 | PUC |
| 2011-12 | 20111112 | KOREA RP | 73049000 | FORGINGS OD168.3 X 40T SA105 | 1.00 | 1,27,734 | 1,27,734 | PUC |
| 2011-12 | 20110829 | CHINA P RP | 73049000 | COLD DRAWN ALLOTYP SEAMLESS STEEL TUBE | 0.92 | 76,923 | 70,769 | PUC |
| 2011-12 | 20111103 | U S A | 73049000 | OILWELL EQUIPMENT: TUBE ASSEMBLY, TELESCOPING, BACK UP WRENCH, 26.75 , 4017 PA | 0.74 | 90,103 | 66,316 | PUC |
| 2011-12 | 20111117 | CHINA P RP | 73043129 | SEAMLESS STEEL TUBE 6 | 0.63 | 84,994 | 53,546 | PUC |
| 2011-12 | 20111115 | CHINA P RP | 73043919 | CARBON STEEL SEAMLESS TUBES ASTM A179 (SIZE 27 X 2.6 X10000-11800 MM) | 0.39 | 57,558 | 22,678 | PUC |
| 2011-12 | 20111031 | U S A | 73049000 | OILWELL SUPPLIES: PIPE, STEEL LINE 1/2 IN SCH 80 SEAMLESS (42- FOOT) | 0.31 | 27,295 | 8,516 | PUC |
| 2011-12 | 20111108 | CHINA P RP | 73043139 | SEAMLESS STEEL TUBE SAMPLES OD 31.0*WT8.4 (53 PCS)(USE FOR MANUFACTURING OF ENG | 0.25 | 2,26,948 | 56,737 | PUC |
| 2011-12 | 20111029 | CHINA P RP | 73049000 | SAMPLE STEEL TUBE 64.5X2,22X2.5,38.5X1.8,56.6X2.2,66X2(FOR MANUFACTURING OF ENG | 0.24 | 2,16,914 | 52,927 | PUC |
| 2011-12 | 20111031 | GERMANY | 73044100 | SEAMLESS TUBE, NEUMO-PHARMATUBES, MATERIAL 1.4435/BN2, DIN 11866 (8.00 X 1.00 M | 0.20 | 2,85,645 | 57,129 | PUC |
| 2011-12 | 20111103 | NETHERLAND | 73043929 | M/S TUBE 120X80X4 PART SOF FABRICATION OF VEGETABLE PROCESSING MACHINES | 0.05 | 94,696 | 4,356 | PUC |
| 2011-12 | 20111124 | CHINA P RP | 73043119 | SEAMLESS STEEL PIPES ASTM A106 GR. B 44.5 X 5.5 X 5000-5800MM | 0.01 | 57,545 | 633 | PUC |
| 2011-12 | 20111109 | U ARAB EMTS | 73049000 | M. S. SECONDARY DEFECTIVE SEAMLESS PIPE | 0.01 | 28,300 | 283 | PUC |

**Import Data from DGCIS [All Countries PUC]
Apr 2009 to Jun 2012**

| Year | Date | Country | ITC-HS | Item-Des | Quantity (MT) | Price (Rs./MT) | Value (Rs) | PUC/ NPUC |
|---------|----------|------------|----------|---|---------------|----------------|--------------|--------------|
| 2011-12 | 20111031 | U S A | 73041990 | 46439795 RIGID PIPE (FOR CAPTIVE USE) (1 PCS) | 0.004 | 47,000 | 188 | PUC |
| 2011-12 | 20111126 | CHINA P RP | 73043911 | SEAMLESS CARBON STEEL HOLLOWSSIZE AS PER INVOICE | 1,718.00 | 60,639 | 10,41,78,225 | PUC |
| 2011-12 | 20111224 | CHINA P RP | 73041910 | PLAIN END SEAMLESS PIPES OF SIZE 5-1/2 OD {1509.303 MTS = 60066.05 MTRS (OR) 4 | 1,509.81 | 52,056 | 7,85,95,444 | PUC |
| 2011-12 | 20111207 | CHINA P RP | 73042990 | CASING PIPES 9-5/8 J-55 40 PPF BTC (1476.872 MTS) (2067 PCS) (ESSENTIAL CERT. | 1,487.70 | 58,722 | 8,73,60,380 | PUC |
| 2011-12 | 20111221 | THAILAND | 73069090 | SEAMLESS STEEL TUBES FOR HYDRAULIC CYLINDERS (SIZE:OD:273.1XID:177.10MM) | 1,433.00 | 22,608 | 3,23,97,649 | PUC |
| 2011-12 | 20111126 | SAUDI ARAB | 73049000 | SEAMLESS CARBON STEEL LINE PIPES (OD(IN. MM) AS PER PACKINGLIST) | 1,083.00 | 35,580 | 3,85,33,196 | PUC |
| 2011-12 | 20111202 | CHINA P RP | 73041190 | SEAMLESS STEEL PIPES AS PER BS 3059 GR.360 (50.8 X 4.06 X8000 MM) | 1,054.43 | 39,671 | 4,18,30,742 | PUC |
| 2011-12 | 20111209 | CHINA P RP | 98010013 | 98010013 SEAMLESS TUBES(C/S)(S37/38/2011)TO SPEC.SA210 C | 988.00 | 77,398 | 7,64,69,281 | PUC |
| 2011-12 | 20111203 | ITALY | 73041910 | PLAIN END SEAMLESS PIPES OF SIZE:2-7/8 OD(15478.519 MTRS=16PCS (OR)194.603MTS) | 813.68 | 78,260 | 6,36,78,720 | PUC |
| 2011-12 | 20111219 | ITALY | 73043129 | COLD DRAWN SEAMLESS STEEL TUBES 190MM X 15MM | 773.00 | 7,505 | 58,01,002 | PUC |
| 2011-12 | 20111129 | CHINA P RP | 73042990 | REGULAR SIZE CASING PIPES 7 , L-80 , 26 PPF BTC (540 BUNDLE, 18665.510 METER) | 722.25 | 60,577 | 4,37,51,580 | PUC |
| 2011-12 | 20111203 | CHINA P RP | 73041910 | PLAIN END SEAMLESS PIPES OF SIZE : 2-7/8 OD { 32408.773 MTRS = 3436 PCS (OR) 4 | 687.36 | 73,672 | 5,06,39,040 | PUC |
| 2011-12 | 20111214 | CHINA P RP | 73042990 | CASING PIPE 9-5/8 Q-125,53.5 PPF BTC | 596.50 | 93,293 | 5,56,49,398 | PUC |
| 2011-12 | 20111229 | ITALY | 73069090 | SEAMLESS STEEL TUBES FOR HYDRAULIC CYLINDERS (SIZE:DM:200.00MMXID:0.01MM) | 592.66 | 39,093 | 2,31,68,915 | PUC |
| 2011-12 | 20111208 | CHINA P RP | 73042990 | TUBING 2-7/8 OD 6.5 PPF L-80 EUE (573.871 MTS) (6251 PCS)(INVOICE NO.MUL/ONGC/ | 580.13 | 64,762 | 3,75,69,880 | PUC |
| 2011-12 | 20111219 | CHINA P RP | 73045930 | SEAMLESS STEEL GAS CYLINDERS TUBE (SIZE: 232.0 MM X 5.4 MM) | 537.00 | 60,009 | 3,22,25,047 | PUC |
| 2011-12 | 20111203 | CHINA P RP | 73042990 | REGULAR SIZE CASING PIPES 7 , L-80, 26PPF BTC (404 BUNDLES,13815.650 METER) | 534.84 | 63,634 | 3,40,33,511 | PUC |
| 2011-12 | 20111223 | CHINA P RP | 73049000 | SEAMLESS STEEL CASING 4-1/2 11.6 PPF K55 BTC R3 | 532.39 | 57,900 | 3,08,25,274 | PUC |
| 2011-12 | 20111208 | BELGIUM | 73049000 | SECONDARY SECOND CHOICE SEAMLESS STEEL PIPES MIXED | 494.00 | 29,807 | 1,47,24,825 | PUC |
| 2011-12 | 20111128 | CHINA P RP | 73043911 | SEAMLESS CARBON STEEL TUBES (TO SPEC SA 210)SIZE AS PER INVOICE | 483.00 | 73,036 | 3,52,76,550 | PUC |
| 2011-12 | 20111126 | CHINA P RP | 73043911 | SEAMLESS CARBON STEEL HOLLOWSSIZE AS PER INVOICE | 452.00 | 60,623 | 2,74,01,508 | PUC |
| 2011-12 | 20111129 | MALAYSIA | 73049000 | HOT FINISHED SEAMLESS STEEL TUBES ASME SA 210 GR .C, OD 44.45MM X WT 6.6MM X F/ | 436.00 | 77,361 | 3,37,29,418 | PUC |
| 2011-12 | 20111228 | ROMANIA | 73049000 | CARBON STEEL SEAMLESS TUBES (SA 210) | 386.93 | 74,524 | 2,88,35,482 | PUC |
| 2011-12 | 20111126 | CHINA P RP | 73043911 | SEAMLESS STEEL CYLINDER PIPE (GRADE:37MN) SIZE: 139.80MM X 4.5MM | 382.39 | 56,572 | 2,16,32,815 | PUC |
| 2011-12 | 20111126 | SAUDI ARAB | 73049000 | SEAMLESS CARBON STEEL LINE PIPES (OD219.10, OD 273.00) | 382.00 | 37,571 | 1,43,52,214 | PUC |
| 2011-12 | 20111207 | CHINA P RP | 73042990 | TUBING 2-7/8 INCH OD 6.5 PPF N-80 EUE (625 PCS,46 BDL) (INV.NO : MUL/ONGC/736 | 360.10 | 69,002 | 2,48,47,801 | PUC |
| 2011-12 | 20111223 | CHINA P RP | 73042990 | TUBING 2-7/8 OD 6.5 PPF L-80 EUE (4032 PCS) (INVOICE NO :-MUL/ONGC/7360-IN-BS- | 355.09 | 68,258 | 2,42,37,278 | PUC |
| 2011-12 | 20111207 | CHINA P RP | 73042990 | CASING PIPE 9-5/8 J-55 40 PPF BTC (361.499 MTS) (504 PCS) (INVOICE NO.MUL/ONGC | 353.76 | 60,243 | 2,13,11,455 | PUC |
| 2011-12 | 20111216 | CHINA P RP | 73043119 | COLD DRAWN SEAMLESS CARBON STEEL TUBES ST45.8 SIZE : 30.0 X3.6X 10000-12000MM | 345.71 | 60,419 | 2,08,87,785 | PUC |
| 2011-12 | 20111206 | CHINA P RP | 73042990 | REGULAR SIZE CASING PIPES 7 , 29 PPF L-80 BTC (216 BUNDLE, 7459.180 METER) | 321.94 | 63,113 | 2,03,18,480 | PUC |
| 2011-12 | 20111216 | CHINA P RP | 73042990 | CASING PIPE 5-1/2 17 PPF N-80 BUTT | 301.45 | 63,013 | 1,89,95,510 | PUC |
| 2011-12 | 20111207 | CHINA P RP | 73042990 | CASING PIPE 5-1/2 17 PPF J-55 BTC (630.261 MTS) (1943 PCS)(INVOICE NO.MUL/ONGC | 298.45 | 1,20,540 | 3,59,75,369 | PUC |
| 2011-12 | 20111207 | CHINA P RP | 73042990 | CASING PIPE 5-1/2 CSG PIPE 17 PPF N-80 BTC (627.288 MTS) (1950 PCS) (INVOICE N | 298.44 | 1,27,269 | 3,79,82,034 | PUC |
| 2011-12 | 20111207 | CHINA P RP | 73043919 | CARBON STEEL SEAMLESS MOTHER PIPES (HOT FINISHED) GRADE DIN 17175 ST35.8 SIZE | 290.00 | 53,342 | 1,54,69,229 | PUC |
| 2011-12 | 20111011 | OMAN | 73043911 | OLD AND USED CARBON STEEL SEAMLESS PIPES2011-PCB NO.GPCB/HAZ-R-BHV/42/79050 DT. | 279.55 | 28,088 | 78,52,135 | PUC |
| 2011-12 | 20111011 | OMAN | 73043911 | OLD AND USED CARBON STEEL SEAMLESS PIPES | 268.97 | 28,088 | 75,54,958 | PUC |
| 2011-12 | 20111220 | CHINA P RP | 73045930 | SEAMLESS STEEL GAS CYLINDERS TUBE (SIZE: 267.0 MM X 7.5 MM) | 266.00 | 66,104 | 1,75,83,673 | PUC |
| 2011-12 | 20111130 | CHINA P RP | 73043119 | COLD DRAWN SEAMLESS CARBON STEEL TUBES ST 37.4 SIZE 63.5 X 4.0 X 8000-10000MM) | 263.34 | 57,808 | 1,52,22,978 | PUC |
| 2011-12 | 20111011 | OMAN | 73043911 | OLD AND USED CARBON STEEL SEAMLESS PIPES2011-PCB NO.GPCB/HAZ-R-BHV/42/79050 DT. | 251.25 | 28,088 | 70,57,090 | PUC |
| 2011-12 | 20111011 | OMAN | 73043911 | OLD AND USED CARBON STEEL SEAMLESS PIPES | 239.89 | 28,088 | 67,38,145 | PUC |
| 2011-12 | 20111220 | CHINA P RP | 73041110 | SEAMLESS STEEL PIPE API SPEC 5L B PSL1 / ASTM A106 B273.1MM X 6.35MM | 235.39 | 64,431 | 1,51,66,320 | PUC |

**Import Data from DGCIS [All Countries PUC]
Apr 2009 to Jun 2012**

| Year | Date | Country | ITC-HS | Item-Des | Quantity (MT) | Price (Rs./MT) | Value (Rs) | PUC/ NPUC |
|---------|----------|-------------|----------|--|---------------|----------------|-------------|--------------|
| 2011-12 | 20111129 | SUDAN | 73049000 | HOT FINISHED SEAMLESS STEEL TUBE GRADE 37MN | 235.00 | 61,175 | 1,43,76,017 | PUC |
| 2011-12 | 20111126 | JAPAN | 73042990 | SEAMLESS PIPE 114.3 X 7.9MM X-46 3 LAYER POLYTHYLENE COATED | 226.44 | 81,479 | 1,84,50,320 | PUC |
| 2011-12 | 20111130 | CHINA P RP | 73043129 | HOT FINISHED SEAMLESS TUBES (SIZE:139.7 MM X 4.5 MM X 5720 MM) | 226.00 | 57,518 | 1,29,99,111 | PUC |
| 2011-12 | 20111212 | CHINA P RP | 73049000 | CARBON STEEL SEAMLESS PIPES A106 GR.B | 221.00 | 52,658 | 1,16,37,367 | PUC |
| 2011-12 | 20111011 | OMAN | 73043911 | OLD AND USED CARBON STEEL SEAMLESS PIPES.2011-PCB NO.GPCB/HAZ-R-BHV/42/79050 DT | 218.09 | 28,088 | 61,25,817 | PUC |
| 2011-12 | 20111130 | CHINA P RP | 73043119 | COLD DRAWN SEAMLESS CARBON STEEL TUBES ST 30AL (SIZE : 30.0X4.0 X 10000-12000MM) | 210.06 | 61,311 | 1,28,79,041 | PUC |
| 2011-12 | 20111217 | CHINA P RP | 73043919 | COLD DRAWN SEAMLESS CARBON STEEL TUBES ASTM A 179 (SIZE 30X 3.0 X 10000 - 1180 | 205.00 | 60,270 | 1,23,55,446 | PUC |
| 2011-12 | 20111212 | GERMANY | 73049000 | SECONDARY/DEFECTIVE M.S SEAMLESS PIPES | 204.00 | 29,837 | 60,86,685 | PUC |
| 2011-12 | 20111208 | CHINA P RP | 73042990 | SEAMLESS CASING,OD:6-5/8 PPF:20BTC,GRADE-J55 RANGE-R2 (25 FEET-34FEET)(CASINGS | 201.43 | 65,070 | 1,31,07,307 | PUC |
| 2011-12 | 20111125 | CHINA P RP | 73049000 | CARBON STEEL SEAMLESS PIPES GR.API5L ASTM A 106/A53 B | 199.00 | 35,230 | 70,10,858 | PUC |
| 2011-12 | 20111121 | CHINA P RP | 73042990 | SEAMLESS LINE PIPE 114.3X7.9MM X-46 3 LAYER POLYETHYLENE COATED (67 BUNDLE, 797 | 198.22 | 81,440 | 1,61,42,745 | PUC |
| 2011-12 | 20111209 | CHINA P RP | 98010013 | 98010013 SEAMLESS TUBES(C/S)(S37/26/2010)TO SPEC.SA210 C | 197.00 | 76,515 | 1,50,73,359 | PUC |
| 2011-12 | 20111221 | CHINA P RP | 73045920 | SEAMLESS STEEL GAS CYLINDER TUBE 139.7MM X 4.5 MM X 5480 MM | 194.00 | 60,563 | 1,17,49,255 | PUC |
| 2011-12 | 20111215 | CHINA P RP | 73049000 | C.S SEAMLESS PIPES DN50 X SCH 40 (485PIECES) | 191.00 | 53,091 | 1,01,40,433 | PUC |
| 2011-12 | 20111227 | CHINA P RP | 73041110 | SEAMLESS STEEL PIPE API SPEC 5L B PSL1/ASTM A106B219.1MM X 8.18MM | 188.43 | 43,706 | 82,35,524 | PUC |
| 2011-12 | 20111212 | CHINA P RP | 73049000 | CARBON STEEL SEAMLESS PIPES A106 GR.B | 178.00 | 49,552 | 88,20,201 | PUC |
| 2011-12 | 20111210 | CHINA P RP | 73043919 | CARBON STEEL SEAMLESS TUBES ASTM A 179 (SIZE 48.3 MM OD X 5 MM THK X 7 - 9 M L | 177.00 | 52,961 | 93,74,118 | PUC |
| 2011-12 | 20111214 | CHINA P RP | 73042990 | SUPPLY OF CASING PIPE 5-1/2 17PPF N-80, BTC (S.O.NO.4050007414) (182.666 MTS) | 175.67 | 62,970 | 1,10,62,272 | PUC |
| 2011-12 | 20111214 | GERMANY | 73042990 | CASING PIPE 7 ,29 PPF L-80 BTC | 172.31 | 63,168 | 1,08,84,226 | PUC |
| 2011-12 | 20111125 | CHINA P RP | 73041910 | PLAIN END SEAMLESS PIPES OF SIZE: 2-7/8 OD {11431.990 MTRS= 1194 PCS (OR) 134. | 170.49 | 45,653 | 77,83,474 | PUC |
| 2011-12 | 20111221 | CHINA P RP | 73043911 | CARBON STEEL SEAMLESS PIPE ASTM A106 GRB42.2 X 6.35 X 5000~7000 | 169.00 | 58,922 | 99,57,749 | PUC |
| 2011-12 | 20110926 | OMAN | 73049000 | CARBON STEEL SECONDARY/DEFECTIVE SEAMLESS PIPES | 165.00 | 26,646 | 43,96,556 | PUC |
| 2011-12 | 20111129 | CHINA P RP | 73045110 | BEARING QUALITY STEEL TUBE SAE-52100 (16010 OR) SIZE 81.0 X6.1MM | 164.54 | 70,723 | 1,16,37,088 | PUC |
| 2011-12 | 20111224 | CHINA P RP | 73041910 | PLAIN END SEAMLESS PIPES OF SIZE: 2-3/8 OD {187.382 MTS = 27830.2 MTR (OR) 289 | 163.25 | 72,450 | 1,18,27,552 | PUC |
| 2011-12 | 20111126 | CHINA P RP | 73043911 | SEAMLESS STEEL CYLINDER PIPE (GRADE:37MN) SIZE: 139.80MM X 4.5MM | 162.81 | 56,572 | 92,10,561 | PUC |
| 2011-12 | 20111210 | BAHARAIN IS | 73049000 | CARBON STEEL SEAMLESS PIPE STOCK LOT | 160.00 | 33,788 | 54,06,056 | PUC |
| 2011-12 | 20111130 | CHINA P RP | 73043129 | HOT FINISHED SEAMLESS TUBES (SIZE : 139.7 MM X4.5 MM X 5720MM) | 157.00 | 57,746 | 90,66,135 | PUC |
| 2011-12 | 20111213 | CHINA P RP | 73043919 | CARBON STEEL SEAMLESS TUBES ASTM A179 (SIZE = 27X2.7X10000-11800 MM) | 154.82 | 60,490 | 93,65,304 | PUC |
| 2011-12 | 20111203 | CHINA P RP | 73042990 | REGULAR SIZE CASING PIPES 7 , L-80, 26 PPF BTC (120 BUNDLE,3991.250 METER) | 154.46 | 63,654 | 98,32,056 | PUC |
| 2011-12 | 20111129 | CHINA P RP | 73049000 | CARBON STEEL SEAMLESS PIPES A106 GR B | 153.00 | 36,235 | 55,43,958 | PUC |
| 2011-12 | 20111124 | GERMANY | 73049000 | CARBON STEEL SEAMLESS PIPE | 146.00 | 45,395 | 66,27,645 | PUC |
| 2011-12 | 20111129 | CHINA P RP | 73049000 | CARBON SEAMLESS STEEL PIPES STOCKLOT | 146.00 | 31,801 | 46,42,891 | PUC |
| 2011-12 | 20111130 | CHINA P RP | 73043129 | HOT FINISHED SEAMLESS TUBES (SIZE:139.7 MM X 4.5 MM X 5720 MM) | 138.00 | 57,771 | 79,72,443 | PUC |
| 2011-12 | 20111216 | CHINA P RP | 73042990 | CASING PIPE 7 ,29 PPF L-80 BTC | 136.47 | 63,698 | 86,92,960 | PUC |
| 2011-12 | 20111227 | CHINA P RP | 73041110 | SEAMLESS STEEL PIPE API SPEC 5L B PSL1/ASTM A106B219.1MM X 8.18MM | 132.29 | 51,396 | 67,99,077 | PUC |
| 2011-12 | 20111130 | CHINA P RP | 73049000 | HFS TUBE | 132.00 | 59,032 | 77,92,173 | PUC |
| 2011-12 | 20111219 | CHINA P RP | 73049000 | CARBON STEEL SEAMLESS PIPE | 129.00 | 33,041 | 42,62,243 | PUC |
| 2011-12 | 20111219 | CHINA P RP | 73043911 | CARBON STEEL SEAMLESS BLACK PIPES2 SCH80 6-7M | 128.00 | 54,189 | 69,36,212 | PUC |
| 2011-12 | 20111117 | CHINA P RP | 73043119 | SEAMLESS CARBON STEEL PIPES (GRADE ASTM A-106 B) SIZE : 219.1 MM X 8.18 MM | 125.00 | 40,675 | 50,84,333 | PUC |
| 2011-12 | 20111125 | CHINA P RP | 73049000 | CARBON STEEL SEAMLESS PIPES CONFIRMING TO SPECIFICATION ASTM A106 GRADE B/API 5L | 122.34 | 47,798 | 58,47,338 | PUC |
| 2011-12 | 20111130 | CHINA P RP | 73042990 | REGULAR SIZE CASING PIPES 7 , L-80, 26 PPF BTC (86 BUNDLE, 2989.260 METER) | 115.69 | 60,563 | 70,06,764 | PUC |

**Import Data from DGCIS [All Countries PUC]
Apr 2009 to Jun 2012**

| Year | Date | Country | ITC-HS | Item-Des | Quantity (MT) | Price (Rs./MT) | Value (Rs) | PUC/ NPUC |
|---------|----------|-----------------|----------|---|---------------|----------------|-------------|--------------|
| 2011-12 | 20111214 | CHINA P RP | 73042990 | SUPPLY OF CASING PIPE 5-1/2 17PPF N-80, BTC (S.O.NO. 4050007414) (117.112 MTS) | 112.89 | 62,968 | 71,08,148 | PUC |
| 2011-12 | 20111203 | ITALY | 73069090 | SMLS STEEL TUBES FOR HYDRAULIC CYLINDER (RTW0GG0080000920) (SIZE:92X80XM877) | 111.68 | 1,86,001 | 2,07,72,146 | PUC |
| 2011-12 | 20111129 | CHINA P RP | 73043119 | CARBON STEEL SEAMLESS PIPE- ASME SA210 GRA1 (76.2 X 6.35 X8400MM) | 110.00 | 55,908 | 61,49,865 | PUC |
| 2011-12 | 20110912 | CHINA P RP | 73043919 | CARBON STEEL SEAMLESS TUBES AS PER ASTM A179 (33.4X4X10000-11800MM) | 102.39 | 53,765 | 55,05,131 | PUC |
| 2011-12 | 20111128 | OMAN | 73049000 | SECONDARYSECOND CHOICE CARBON STEEL SEAMLESS PIPES | 101.00 | 28,543 | 28,82,801 | PUC |
| 2011-12 | 20111228 | CHINA P RP | 73043919 | CARBON STEEL SEAMLESS MOTHER PIPES (HOT FINISHED) GRADE DIN17175 ST 35.8 SIZE 3 | 101.00 | 53,366 | 53,89,980 | PUC |
| 2011-12 | 20111222 | CHINA P RP | 73043119 | PRIME COLD DRAWN SEAMLESS STEEL TUBE : SAE1010 : (31.75 MM X 6.5 MM) | 100.84 | 33,006 | 33,28,452 | PUC |
| 2011-12 | 20111228 | CHINA P RP | 73049000 | HOT ROLLED SEAMLESS STEEL PIPES FOR GAS CYLINDERS GRADE 37MN | 100.00 | 63,473 | 63,47,316 | PUC |
| 2011-12 | 20111129 | CHINA P RP | 73043919 | CARBON STEEL SEAMLESS MOTHER PIPES (HOT FINISHED) GRADE DIN17175 ST 35.8 SIZE 3 | 100.00 | 50,836 | 50,83,564 | PUC |
| 2011-12 | 20111217 | CHINA P RP | 73043919 | COLD DRAWN SEAMLESS CARBON STEEL TUBES ASTM A179 (SIZE: 30X3X10000-11800) | 99.85 | 60,490 | 60,39,926 | PUC |
| 2011-12 | 20111205 | CHINA P RP | 73049000 | CARBON STEEL SEAMLESS PIPES ASTM A106 API 5L GR.B 6 INCH XSCH40 | 99.00 | 48,701 | 48,21,402 | PUC |
| 2011-12 | 20111125 | CHINA P RP | 73043911 | SEAMLESS CARBON STEEL TUBES (TO SPEC SA210)SIZE AS PER INVOICE | 98.00 | 75,868 | 74,35,048 | PUC |
| 2011-12 | 20110823 | OMAN | 73043911 | OLD AND USED CARBON STEEL SEAMLESS PIPES(11) | 94.20 | 25,314 | 23,84,466 | PUC |
| 2011-12 | 20111129 | CHINA P RP | 73049000 | CARBON STEEL SEAMLESS PIPE | 93.00 | 36,807 | 34,23,081 | PUC |
| 2011-12 | 20111129 | CHINA P RP | 73049000 | CARBON STEEL SEAMLESS PIPE | 93.00 | 36,359 | 33,81,380 | PUC |
| 2011-12 | 20111129 | CHINA P RP | 73049000 | (SEAMLESS TUBE) SEAMLESS HOT-FINISHED CARBON STEEL TUBE (SIZE:127.30 X 6.00 X 3 | 92.00 | 53,393 | 49,12,178 | PUC |
| 2011-12 | 20110923 | OMAN | 73049000 | CARBON STEEL SECONDARY/DEFECTIVE SEAMLESS PIPES | 90.00 | 26,597 | 23,93,697 | PUC |
| 2011-12 | 20111216 | CHINA P RP | 73043119 | PRIME CDS HOLLOW SEAMLESS TUBES SIZE : OD 60 MM X THK 6 MM X LENGHT 5000 MM) | 88.00 | 57,364 | 50,48,029 | PUC |
| 2011-12 | 20111215 | CHINA P RP | 73045110 | BEARING QUALITY STEEL TUBE SAE 52100 (JPU51-15OR) SIZE 51.25 X 35.61 MM | 82.30 | 75,795 | 62,38,090 | PUC |
| 2011-12 | 20111208 | JAPAN | 73045110 | BEARING QUALITY STEEL TUBE SAE 52100 (JPU51-15OR) SIZE 51.25 X 35.61 MM | 81.18 | 72,307 | 58,69,760 | PUC |
| 2011-12 | 20111129 | CHINA P RP | 73045110 | BEARING QUALITY STEEL TUBE SAE 52100 (6004 MOR) SIZE 42.20 X 35.62 MM | 81.05 | 70,348 | 57,01,594 | PUC |
| 2011-12 | 20111216 | U ARAB EMTS | 73049000 | STOCK LOT IRON PIPES | 81.00 | 36,135 | 29,26,908 | PUC |
| 2011-12 | 20111228 | CHINA P RP | 73043919 | COLD DRAWN SEAMLESS CARBON STEEL TUBES DIN-1629/64 ST 37.4 (SIZE OD 25.00 X WT | 81.00 | 69,557 | 56,34,137 | PUC |
| 2011-12 | 20111130 | CHINA P RP | 73043129 | HOT FINISHED SEAMLESS TUBES (SIZE : 139.7 MM X4.5 MM X 5720MM | 81.00 | 57,776 | 46,79,853 | PUC |
| 2011-12 | 20111207 | CHINA P RP | 73043919 | CARBON STEEL SEAMLESS MOTHER PIPES(HOT FINISHED) DIN 17175ST35.8 SIZE 38MM OD | 80.00 | 53,100 | 42,48,011 | PUC |
| 2011-12 | 20111122 | CHINA P RP | 73043119 | CARBON STEEL SEAMLESS LINE PIPES API 5L GR.B/ASTM A106 GR,B SIZE 10 SCH 40 | 80.00 | 44,771 | 35,81,695 | PUC |
| 2011-12 | 20111221 | CHINA P RP | 73041910 | PLAIN END SEAMLESS DRILL PIPES OF SIZE : 2-3/8 OD (9929.088MTRS = 1047 PCS (OR | 79.24 | 1,01,414 | 80,36,167 | PUC |
| 2011-12 | 20111130 | SWEDEN | 73045110 | SECONDARY AND DFEECTIVE SEAMLESS STEEL TUBES (ALLOY STEEL) GRADE: 100 CR6 SIZE: | 78.09 | 37,106 | 28,97,450 | PUC |
| 2011-12 | 20111130 | CHINA P RP | 73049000 | HIGH FREQUENCY STEEL PIPE (SIZE: 135X135X10MM) (PARTS OF TOWER CRANE) (FOR CAPT | 78.00 | 41,916 | 32,69,479 | PUC |
| 2011-12 | 20111128 | CHINA P RP | 73049000 | CARBON STEEL SECONDARY CHOICE SEAMLESS PIPES | 78.00 | 31,602 | 24,64,993 | PUC |
| 2011-12 | 20111214 | NETHERLAND | 73043929 | CARBON SEAMLESS STEEL PIPE (SIZE:10NB X S160) (7 PCS) (NI 0.09) | 77.00 | 49,048 | 37,76,658 | PUC |
| 2011-12 | 20111129 | U S A | 73049000 | MS SECONDARY DEFECTIVE SEAMLESS PIPE | 76.00 | 28,220 | 21,44,732 | PUC |
| 2011-12 | 20111129 | CHINA P RP | 73041110 | SEAMLESS STEEL PIPE API SPEC 5L B PSL1/ASTM A106B168.3MM X 10.97 MM | 76.00 | 69,717 | 52,98,516 | PUC |
| 2011-12 | 20111130 | SWEDEN | 73045110 | SECONDARY AND DFEECTIVE SEAMLESS STEEL TUBES (ALLOY STEEL) GRADE: 100 CR6 SIZE: | 75.09 | 36,037 | 27,05,909 | PUC |
| 2011-12 | 20110930 | OMAN | 73043911 | OLD AND USED CARBON STEEL SEAMLESS PIPES & PCB NO.GPCB/HAZ-R-BHV-42/79050 DT.03 | 74.96 | 26,361 | 19,75,909 | PUC |
| 2011-12 | 20111213 | FRANCE | 73043921 | 73043921 CARBON STEEL ROUNDS(TO SPEC.SA105) | 74.00 | 1,06,999 | 79,17,905 | PUC |
| 2011-12 | 20111118 | CHINA P RP | 73042990 | HOT FINISHED SEAMLESS TUBING CONFORMING (PUP JOINTS OD:2-7/8 PPF 6.5 THREAD CO | 72.20 | 74,963 | 54,12,243 | PUC |
| 2011-12 | 20111212 | CHINA P RP | 73045120 | 159 X 103 X 8600MM COLD DRAWN READY TO HONE PRECISION TUBE | 71.76 | 29,203 | 20,95,552 | PUC |
| 2011-12 | 20111228 | U S A | 73049000 | CARBON STEEL SEAMLESS PIPE (SA106) | 70.68 | 1,46,968 | 1,03,88,111 | PUC |
| 2011-12 | 20110930 | OMAN | 73043911 | OLD AND USED CARBON STEEL SEAMLESS PIPES | 70.18 | 26,361 | 18,49,902 | PUC |
| 2011-12 | 20111213 | VIETNAM SOC REP | 73045910 | BEARINGS STEEL TUBES FOR MANUFACTURE OF OR & IR RACES 6304 OR 52.70X5.9 OTHE | 69.94 | 83,151 | 58,15,319 | PUC |

**Import Data from DGCIS [All Countries PUC]
Apr 2009 to Jun 2012**

| Year | Date | Country | ITC-HS | Item-Des | Quantity (MT) | Price (Rs./MT) | Value (Rs) | PUC/ NPUC |
|---------|----------|-------------|----------|---|---------------|----------------|------------|--------------|
| 2011-12 | 20111210 | CHINA P RP | 73043919 | CARBON STEEL SEAMLESS TUBES ASTM A 179 (SIZE 51 MM OD X 4.2 MM THK X 7 - 9 M L | 68.00 | 52,696 | 35,83,348 | PUC |
| 2011-12 | 20111130 | CHINA P RP | 73049000 | ALLOY SEAMLESS STEEL PIPE GRADE 42 CRMO (OD 151MM) | 68.00 | 43,058 | 29,27,922 | PUC |
| 2011-12 | 20111213 | FRANCE | 73043921 | 73043921 CARBON STEEL ROUNDS (TO SPEC.SA105) | 67.00 | 1,03,462 | 69,31,943 | PUC |
| 2011-12 | 20111228 | CHINA P RP | 73043919 | CARBOT STEEL SEAMLESS MOTHER PIPES (HOT FINISHED) GRADE DIN17175 ST35.8 SIZE 38 | 67.00 | 53,445 | 35,80,799 | PUC |
| 2011-12 | 20111130 | CHINA P RP | 73049000 | ALLOY SEAMLESS STEEL PIPE GRADE 42 CRMO (OD 151MM, LENGTH 6810MM) | 67.00 | 42,601 | 28,54,276 | PUC |
| 2011-12 | 20111125 | CHINA P RP | 73045110 | BEARING QUALITY STEEL TUBE SAE-52100 AND SUJ-3 (TMB6205MIR) SIZE 34.4 X 5.05MM | 66.93 | 85,611 | 57,29,617 | PUC |
| 2011-12 | 20111128 | CHINA P RP | 73041110 | SEAMLESS CARBON STEEL PIPE ,ASTM A106GR B 114*13 (5.116MTS)/89*11(5.2MTS)/83*18 | 66.72 | 39,370 | 26,26,951 | PUC |
| 2011-12 | 20111216 | ITALY | 73049000 | COLD DRAWN SEAMLESS STEEL TUBE 140.00X10.00E355SR4000-5800 | 66.52 | 97,498 | 64,85,130 | PUC |
| 2011-12 | 20111207 | CHINA P RP | 73045110 | BEARING QUALITY STEEL TUBE SAE-52100 (6001 IR) SIZE 18.1 X 3.5MM | 65.45 | 74,640 | 48,84,916 | PUC |
| 2011-12 | 20111201 | U S A | 73049000 | M S PIPES | 65.00 | 26,581 | 17,27,748 | PUC |
| 2011-12 | 20110930 | OMAN | 73043911 | OLD AND USED CARBON STEEL SEAMLESS PIPES | 64.58 | 1,04,007 | 67,16,982 | PUC |
| 2011-12 | 20111207 | CHINA P RP | 73043119 | PRIME CDS HOLLOW SEAMLESS TUBES (39.9MM X 5.8MM X 4840) | 63.00 | 62,194 | 39,18,237 | PUC |
| 2011-12 | 20110930 | OMAN | 73043911 | OLD AND USED CARBON STEEL SEAMLESS PIPES & PCB NO.GPCB/HAZ-R-BHV-42/79050 DT.03 | 61.51 | 26,361 | 16,21,481 | PUC |
| 2011-12 | 20111117 | CHINA P RP | 73043939 | HIGH PRESSURE SEAMLESS STEEL TUBES STANDARD-JISG 3429-88CRM04 OD 267XWT6.30MM 6 | 60.71 | 70,070 | 42,53,950 | PUC |
| 2011-12 | 20111216 | CHINA P RP | 73043119 | PRIME CDS HOLLOW SEAMLESS TUBES SIZE : OD 50 MM X THK 6 MM X LENGHT 5000 MM) | 57.00 | 58,986 | 33,62,191 | PUC |
| 2011-12 | 20111212 | CHINA P RP | 73043939 | HIGH PRESSURE SEAMLESS STEEL TUBES OF STANDARD JLS G-3429-880D267XWT6.3MM | 56.00 | 76,858 | 43,04,058 | PUC |
| 2011-12 | 20111202 | OMAN | 73069090 | SECONDARY/DEFECTIVE MS PIPES | 55.00 | 29,197 | 16,05,832 | PUC |
| 2011-12 | 20111202 | OMAN | 73069090 | SECONDARY/DEFECTIVE MS PIPE | 55.00 | 29,186 | 16,05,247 | PUC |
| 2011-12 | 20111207 | CHINA P RP | 73049000 | SECONDARY CARBON STEEL SEAMLESS PIPES | 55.00 | 29,765 | 16,37,071 | PUC |
| 2011-12 | 20110930 | OMAN | 73043911 | OLD AND USED CARBON STEEL SEAMLESS PIPES | 54.63 | 26,361 | 14,40,116 | PUC |
| 2011-12 | 20111202 | CHINA P RP | 73043919 | COLD DRAWN SEAMLESS CARBON STEEL TUBES DIN 1629 /84 ST 37.4(SIZE OD 48.30 X WT | 54.00 | 62,983 | 34,01,108 | PUC |
| 2011-12 | 20111217 | U ARAB EMTS | 73049000 | CARBON STEEL SECONDARY & DEFECTIVE SEAMLESS PIPES | 53.00 | 30,192 | 16,00,189 | PUC |
| 2011-12 | 20111217 | CHINA P RP | 73049000 | SECONDARY DEFECTIVE CARBON STEEL SEAMLESS PIPE | 53.00 | 29,698 | 15,73,978 | PUC |
| 2011-12 | 20111130 | CHINA P RP | 73043119 | SEAMLESS CARBON STEEL TUBES ST30AL (SIZE : 30 X4.0X 10000-12000MM) | 52.46 | 61,311 | 32,16,633 | PUC |
| 2011-12 | 20111223 | GERMANY | 73049000 | SECONDARY M.S. SEAMLESS PIPE | 52.00 | 30,348 | 15,78,119 | PUC |
| 2011-12 | 20111219 | CHINA P RP | 73045110 | CARBON STEEL SEAMLESS TUBES (FULLY KILLED), AS PER DIN17175ST35.8 - SIZE: OD: 3 | 52.00 | 59,440 | 30,90,888 | PUC |
| 2011-12 | 20111205 | CHINA P RP | 73045110 | CARBON STEEL SEAMLESS TUBES (FULLY KILLED) AS PER DIN17175 ST35.8 - SIZE: OD:30 | 52.00 | 57,506 | 29,90,321 | PUC |
| 2011-12 | 20111126 | CHINA P RP | 73049000 | CARBON STEEL SEAMLESS TUBES ASME SA210GRA1 | 51.00 | 62,730 | 31,99,207 | PUC |
| 2011-12 | 20111207 | CHINA P RP | 73049000 | COLD DRAWN SEAMLESS STEEL PIPES AS PER ASTM A106/A53/API 5LGR.B. | 51.00 | 38,649 | 19,71,111 | PUC |
| 2011-12 | 20111130 | CHINA P RP | 73043119 | SEAMLESS STEEL TUBE [PART NO.44015-P-001-2] 20*5.7*5800MM [+/- 10MM] | 50.67 | 63,423 | 32,13,415 | PUC |
| 2011-12 | 20111207 | TAIWAN | 73049000 | CARBON STEEL SEAMLESS HOT FINISHED MOTHER PIPES API 5L GR.B/ASTM A 106 GR.B/AS | 50.00 | 52,524 | 26,26,214 | PUC |
| 2011-12 | 20111123 | CHINA P RP | 73043119 | SEAMLESS PIPES COLD DRAWN SEAMLESS STEEL, SPHEROID ANNEALEDTUBE 65.00 X 48.50 O | 49.78 | 69,506 | 34,59,998 | PUC |
| 2011-12 | 20111214 | KOREA RP | 73049000 | COLD DRAWN SEAMLESS STEEL TUBE170,50 X7,75 E355 +SR4000-5800 | 49.60 | 86,940 | 43,12,213 | PUC |
| 2011-12 | 20111201 | ITALY | 73049000 | COLD DRAWN SEAMLESS STEEL TUBE150,50 X7,75 E355 +SR4000-5800 | 49.18 | 88,042 | 43,30,031 | PUC |
| 2011-12 | 20111128 | OMAN | 73049000 | SECONDARYSECOND CHOICE CARBON STELL SEAMLESS PIPES | 49.00 | 28,789 | 14,10,659 | PUC |
| 2011-12 | 20111228 | CHINA P RP | 73049000 | SEAMLESS STEEL PIPES SIZE 88.9 X 5.49 MM GRADE J55 LENGTH 5.8 M | 49.00 | 56,812 | 27,83,795 | PUC |
| 2011-12 | 20111223 | CHINA P RP | 73045110 | CARBON SEAMLESS STEEL TUBES ASME SA-210M GR. A1 SIZE 44.45OD X 3.66 THK X 1100 | 48.72 | 63,546 | 30,95,626 | PUC |
| 2011-12 | 20111130 | GERMANY | 73042990 | SECONDARY CARBON STEEL SEAMLESS PRECISION PIPES | 48.00 | 35,636 | 17,10,523 | PUC |
| 2011-12 | 20111214 | ITALY | 73049000 | COLD DRAWN SEAMLESS STEEL TUBE126,00 X8,00 E355 +SR4000-5800 | 47.53 | 1,24,948 | 59,39,024 | PUC |
| 2011-12 | 20111202 | ITALY | 98010013 | SEAMLESS CARBON STEEL PIPES TO SPEC SA106[S37/28/2010/GR6][30MTR@EUR3980/MTR] | 47.00 | 1,78,418 | 83,85,652 | PUC |
| 2011-12 | 20111123 | U K | 73049000 | SECONDARY DEFECTIVE CARBON STEEL PIPE | 47.00 | 34,381 | 16,15,929 | PUC |

**Import Data from DGCIS [All Countries PUC]
Apr 2009 to Jun 2012**

| Year | Date | Country | ITC-HS | Item-Des | Quantity (MT) | Price (Rs./MT) | Value (Rs) | PUC/ NPUC |
|---------|----------|-----------------|----------|---|---------------|----------------|------------|--------------|
| 2011-12 | 20111217 | CHINA P RP | 73043919 | COLD DRAWN SEAMLESS STEEL TUBE, ST35BK,5-5.8 METER (SIZE : 27.00 MM X 6.20 MM X | 47.00 | 63,665 | 29,92,270 | PUC |
| 2011-12 | 20111122 | CHINA P RP | 73045110 | CARBON STEEL SEAMLESS TUBES (FULLY KILLED), AS PER DIN17175ST35.8 - SIZE: OD: 2 | 45.00 | 55,890 | 25,15,065 | PUC |
| 2011-12 | 20111223 | CHINA P RP | 73045110 | CARBON SEAMLESS STEEL TUBES ASME SA-210M GR. A1 SIZE 44.45OD X 3.66 THK X 1100 | 44.40 | 64,814 | 28,77,745 | PUC |
| 2011-12 | 20111210 | FRANCE | 73049000 | SECONDARY CARBON STEEL SEAMLESS PIPES MIX SIZES MIX THICKNESS | 44.00 | 31,387 | 13,81,013 | PUC |
| 2011-12 | 20111201 | U S A | 73049000 | M S PIPES | 44.00 | 26,415 | 11,62,240 | PUC |
| 2011-12 | 20111223 | CHINA P RP | 73049000 | CARBON STEEL SEAMLESS PIPE AS PER GCR15/SAE52100 SIZE 36MM X4 MM | 44.00 | 65,061 | 28,62,681 | PUC |
| 2011-12 | 20111201 | U S A | 73049000 | SECONDARY SECOND CHOICE CARBON STEEL SEAMLESS/WELDED PIPES | 43.00 | 29,574 | 12,71,676 | PUC |
| 2011-12 | 20110823 | OMAN | 73043911 | OLD AND USED CARBON STEEL SEAMLESS PIPES11) | 42.79 | 25,314 | 10,83,169 | PUC |
| 2011-12 | 20111207 | CHINA P RP | 73045120 | ALLOY STEEL SEAMLESS TUBE ASTM SA 199 T5 (C-0.15%,CR-6%,MO-0.65%,MN-0.60) | 42.00 | 1,73,768 | 72,98,250 | PUC |
| 2011-12 | 20111222 | CHINA P RP | 73043119 | NON ALLOY STEEL SEAMLESS PIPES API 5L GRADE B 73.0MMX7.01MM | 41.00 | 60,209 | 24,68,555 | PUC |
| 2011-12 | 20111207 | CHINA P RP | 73042990 | 2-7/8 INCH OD 6.5 PPF N-80 EUE PUP JOINT 6FT (INVOICE NO.MUL/ONGC/7360-IN-BS-G | 40.00 | 24,756 | 9,90,237 | PUC |
| 2011-12 | 20111219 | CHINA P RP | 73043119 | COLD DRAWN STEEL TUBE (82.00X699.50MM) | 38.00 | 81,191 | 30,85,239 | PUC |
| 2011-12 | 20111217 | CHINA P RP | 73043119 | SEAMLESS COLD DRAWN TUBES GRADE: SAE 52100 / GCR15 SIZES 42.72 X 5.25 MM [C 0.9 | 38.00 | 77,925 | 29,61,158 | PUC |
| 2011-12 | 20111209 | CHINA P RP | 73041910 | STOCK LOT OF CARBON SEAMLESS STEEL PIPES GRADE SAE-1040 CDSSIZE:88.9X4.2X2950MM | 36.00 | 32,181 | 11,58,516 | PUC |
| 2011-12 | 20111129 | CHINA P RP | 73045110 | STEEL TUBE DIA 4.76 X 0.65MM WITH COPPER COATED(PART FORREFRIGERATOR)(CAPT | 34.60 | 70,843 | 24,51,199 | PUC |
| 2011-12 | 20111213 | VIETNAM SOC REP | 73045910 | BEARINGS STEEL TUBES FOR MANUFACTURE OF OR & IR RACES 62/22 OR 50.65X4.89 OTH | 34.49 | 81,004 | 27,93,747 | PUC |
| 2011-12 | 20111130 | CHINA P RP | 73041110 | SEAMLESS STEEL PIPES E355 (103.5 * 76.5 * 1406) | 33.30 | 58,903 | 19,61,227 | PUC |
| 2011-12 | 20111129 | CHINA P RP | 73045110 | STEEL TUBE DIA 4.76 X0.65 MM WITH COPPER COATED (PART FOR REFRIGERATOR) (CAP | 32.95 | 74,423 | 24,52,450 | PUC |
| 2011-12 | 20111224 | CHINA P RP | 73045110 | STEEL TUBE DIA 4.76*0.55MM WITH ZINC COATED (PART FOR REFRIGRATOR) (CAPTIVE | 31.42 | 81,952 | 25,74,770 | PUC |
| 2011-12 | 20111124 | CHINA P RP | 73049000 | SEAMLESS PIPE (CARBON STEEL) INCH:24 X9.5MM,OD(MM):609.6,WT(MM):9.53,LENGTH(M): | 30.00 | 61,515 | 18,45,458 | PUC |
| 2011-12 | 20111210 | CHINA P RP | 73043911 | 73043911 SEAMLESS TUBES (CARBON STEEL)TO SPEC.SA210 | 29.00 | 78,799 | 22,85,174 | PUC |
| 2011-12 | 20111203 | CHINA P RP | 73043119 | CARBON STEEL SEAMLESS PIPE 70MM X15MM X R/L | 28.00 | 42,054 | 11,77,525 | PUC |
| 2011-12 | 20111129 | JAPAN | 73049000 | BEARING QUALITY STEEL TUBES SAE52100 OD62.90MM X WT6.15MM | 27.59 | 1,18,046 | 32,57,010 | PUC |
| 2011-12 | 20111128 | GERMANY | 73043121 | SEAMLESS STEEL TUBE GLAND S355 J2G3/MW450KV-DIA132.7/71X920MM-147.200 MTR | 27.52 | 1,63,339 | 44,95,260 | PUC |
| 2011-12 | 20111214 | JAPAN | 98010011 | PIPE, B-36.10, ASTM A 106 GR.B, SEAMLESS 4.0 INCH,STD (PO NO.1208/MR-3270/PO-42 | 27.26 | 55,304 | 15,07,602 | PUC |
| 2011-12 | 20111216 | SWEDEN | 73049000 | SECONDARY SECOND CHOICE CARBON STEEL SEAMLESS PIPE MIX SIZE MIX LOT | 27.00 | 30,121 | 8,13,262 | PUC |
| 2011-12 | 20111216 | U ARAB EMTS | 73049000 | SECONDARY SECOND CHOICE CARBON STEEL SEAMLESS PIPE MIX SIZE MIX LOT | 27.00 | 30,109 | 8,12,956 | PUC |
| 2011-12 | 20111216 | U ARAB EMTS | 73049000 | SECONDARY SECOND CHOICE CARBON STEEL SEAMLESS PIPE MIX SIZE MIX LOT | 27.00 | 30,098 | 8,12,650 | PUC |
| 2011-12 | 20111129 | U S A | 73049000 | SECONDARY CARBON STEEL SEAMLESS PIPES | 27.00 | 28,687 | 7,74,541 | PUC |
| 2011-12 | 20111123 | U ARAB EMTS | 73049000 | SECONDARY SECOND CHOICE CARBON STEEL SEAMLESS/WELDED PIPES | 27.00 | 28,194 | 7,61,250 | PUC |
| 2011-12 | 20111219 | CHINA P RP | 73049000 | COLD DRAWN SEAMLESS STEEL PIPE AS PER ASTM A106/A53/API 5L GR.B. | 27.00 | 38,477 | 10,38,882 | PUC |
| 2011-12 | 20111221 | CHINA P RP | 73049000 | CARBON TEELL SEAMLESS PIPES LENGTH 7.5M | 27.00 | 36,884 | 9,95,866 | PUC |
| 2011-12 | 20111212 | CHINA P RP | 73049000 | MILD STEEL SEAMLESS TUBE AS PER DIN 2391,ST 35,NBK,LENGTH :5000-5800MM | 27.00 | 36,603 | 9,88,286 | PUC |
| 2011-12 | 20111208 | CHINA P RP | 73049000 | SECONDARY SECOND CHOICE CARBON STEEL SEAMLESS PIPE MIX SIZE | 27.00 | 30,087 | 8,12,344 | PUC |
| 2011-12 | 20111122 | CHINA P RP | 73049000 | CARBON STEEL SECONDARY SEAMLESS PIPES | 27.00 | 28,241 | 7,62,494 | PUC |
| 2011-12 | 20111121 | SAUDI ARAB | 73049000 | SECONDARY SECOND CARBON STEEL SEAMLESS/ WELDED PIPES MIXED THICKNESS MIXED LOT. | 26.20 | 28,040 | 7,34,639 | PUC |
| 2011-12 | 20111208 | U ARAB EMTS | 73049000 | SECONDARY SECOND CHOICE CARBON STEEL SEAMLESS PIPE MIX SIZE | 26.00 | 30,985 | 8,05,616 | PUC |
| 2011-12 | 20111111 | ANGOLA | 73049000 | OLD AND USED SEAMLESS PIPE | 26.00 | 28,910 | 7,51,665 | PUC |
| 2011-12 | 20111214 | CHINA P RP | 73043919 | COLD DRAWN SEAMLESS CARBON STEEL TUBES ASTM A 179 (SIZE OD25.4 MM X WT 2.2 MM | 26.00 | 59,351 | 15,43,129 | PUC |
| 2011-12 | 20111205 | CHINA P RP | 73045110 | CARBON STEEL SEAMLESS TUBES (FULLY KILLED) AS PER DIN17175 ST35.8 - SIZE: OD:27 | 26.00 | 58,919 | 15,31,901 | PUC |
| 2011-12 | 20111219 | CHINA P RP | 73045110 | CARBON STEEL SEAMLESS TUBES (FULLY KILLED), AS PER DIN17175ST35.8 - SIZE: OD: 2 | 26.00 | 58,826 | 15,29,471 | PUC |

Import Data from DGCIS [All Countries PUC]

Apr 2009 to Jun 2012

| Year | Date | Country | ITC-HS | Item-Des | Quantity (MT) | Price (Rs./MT) | Value (Rs) | PUC/ NPUC |
|---------|----------|-------------|----------|---|---------------|----------------|------------|--------------|
| 2011-12 | 20111219 | CHINA P RP | 73045110 | CARBON STEEL SEAMLESS TUBES (FULLY KILLED), AS PER DIN17175ST35.8 - SIZE: OD: 3 | 26.00 | 56,788 | 14,76,475 | PUC |
| 2011-12 | 20111124 | CHINA P RP | 73049000 | 1 CARBON SEAMLESS STEEL PIPES OD 89MM | 26.00 | 52,448 | 13,63,658 | PUC |
| 2011-12 | 20111220 | CHINA P RP | 73049000 | SEAMLESS PIPE QUANTITY 270 PIECES - LENGTH : > 6M, DIMENTION : MM57 X 36 (Q235) | 26.00 | 51,022 | 13,26,572 | PUC |
| 2011-12 | 20111222 | CHINA P RP | 73042390 | ASTMA106GR.B SEAMLESS STEEL PIPE 32MM X 7MM X 5.35M | 26.00 | 45,139 | 11,73,612 | PUC |
| 2011-12 | 20111128 | CHINA P RP | 73041910 | SEAMLESS STEEL PIPES(SIZE 232 MM, THICKNESS 30 MM) | 26.00 | 44,436 | 11,55,333 | PUC |
| 2011-12 | 20111216 | CHINA P RP | 73049000 | SECONDARY SECOND CHOICE CARBON STEEL SEAMLESS PIPE MIX SIZE MIX LOT | 26.00 | 30,126 | 7,83,288 | PUC |
| 2011-12 | 20111130 | SWEDEN | 73045110 | SECONDARY AND DFEECTIVE SEAMLESS STEEL TUBES (ALLOY STEEL) GRADE: 100 CR6 SIZE: | 25.68 | 36,364 | 9,33,817 | PUC |
| 2011-12 | 20111214 | JAPAN | 73049000 | SECONDARY CARBON STEEL SEAMLESS PIPES MIX SIZES, MIX THICKNESS | 25.26 | 32,086 | 8,10,492 | PUC |
| 2011-12 | 20111126 | CHINA P RP | 73049000 | CARBON STEEL SEAMLESS PIPE DIAMETER 140 MM, THICKNESS 16.5MM (100 PCS) | 25.00 | 45,842 | 11,46,051 | PUC |
| 2011-12 | 20111122 | CHINA P RP | 73043119 | SEAMLESS CARBON STEEL PIPES (GRADE ASTM A-106 B) SIZE : 273.1 MM X 6.35 MM | 25.00 | 45,244 | 11,31,110 | PUC |
| 2011-12 | 20111219 | CHINA P RP | 73049000 | COLD DRAWN SEAMLESS STEEL PIPE AS PER ASTM A106/A53/API 5L GR.B. | 25.00 | 38,177 | 9,54,416 | PUC |
| 2011-12 | 20111209 | CHINA P RP | 73049000 | CARBON STEEL SEAMLESS PIPES | 25.00 | 37,355 | 9,33,874 | PUC |
| 2011-12 | 20111224 | CHINA P RP | 73043911 | SEAMLESS STEEL TUBE GRADE SAE52100/GCR15SIZE: 61.00 X 10.00MM | 24.90 | 70,328 | 17,51,311 | PUC |
| 2011-12 | 20111130 | U ARAB EMTS | 73049000 | SECONDARY SECOND CHOICE CARBON STEEL SEAMLESS PIPES | 24.50 | 29,419 | 7,20,770 | PUC |
| 2011-12 | 20111209 | U K | 73049000 | REJECTED/DEFECTIVE SEAMLESS STEEL TUBES, SECOND CHOICE | 24.00 | 36,789 | 8,82,944 | PUC |
| 2011-12 | 20111207 | CHINA P RP | 73043919 | CARBON STEEL SEAMLESS MOTHER PIPES(HOT FINISHED) DIN 17175ST35.8 SIZE 38MM OD | 24.00 | 54,333 | 13,03,994 | PUC |
| 2011-12 | 20111222 | CHINA P RP | 73042390 | ASTMA106GR.B SEAMLESS STEEL PIPE 32MM X 7MM X 5.35M | 24.00 | 46,048 | 11,05,152 | PUC |
| 2011-12 | 20111119 | CHINA P RP | 73049000 | CARBON STEEL SEAMLESS PIPES | 24.00 | 42,923 | 10,30,160 | PUC |
| 2011-12 | 20111207 | FRANCE | 73043119 | PLAIN END SEMS.TUBES/PIPES(COLD DRN.SEM.CRN.STEEL DRG.TUBE/PIPE)OUT DIA.88.900* | 23.76 | 1,26,442 | 30,04,778 | PUC |
| 2011-12 | 20111130 | CHINA P RP | 73049000 | SECONDARY CARBON STEEL SEAMLESS PIPES IN MIXED SIZES | 23.73 | 31,021 | 7,36,060 | PUC |
| 2011-12 | 20111220 | JAPAN | 73049000 | SEAMLESS ALLOY STEEL TUBES JIS G3441 SCM415TK 32.80MM OD X 24.60MM ID X 5M | 23.11 | 1,85,012 | 42,75,261 | PUC |
| 2011-12 | 20111209 | CHINA P RP | 73049000 | SKIVED TUBE AS PER DIN 2391ST52 BKS (SIZE 200H8 X 230 X 5700 MM) (HONED TUBE) | 23.01 | 1,02,275 | 23,53,763 | PUC |
| 2011-12 | 20111217 | CHINA P RP | 73043919 | COLD DRAWN SEAMLESS STEEL TUBE, ST35,BK,5-5.8 METER (SIZE:15.88 MM X 1.60 MM X | 23.00 | 61,926 | 14,24,293 | PUC |
| 2011-12 | 20111217 | CHINA P RP | 73043919 | SEAMLESS STEEL PIPES C45-ANEAL(SIZE: 34 X 5.8 X 400 MM) | 23.00 | 61,627 | 14,17,425 | PUC |
| 2011-12 | 20111207 | CHINA P RP | 73049000 | CARBON STEEL SEAMLESS PIPES | 23.00 | 37,817 | 8,69,788 | PUC |
| 2011-12 | 20111222 | CHINA P RP | 73041190 | TUBE SEAMLESS, SA 179 OF ASME SEC II PART A 2010 38.1 ODX3.25 WTX 8564 LG | 22.97 | 72,758 | 16,71,418 | PUC |
| 2011-12 | 20111205 | CHINA P RP | 73043139 | HONED TUBE OF GRADE ST-52 BK + S DIN 2391 (CDS HONED TUBE137X125 H 8 X 1436) | 22.60 | 99,903 | 22,57,817 | PUC |
| 2011-12 | 20111215 | CHINA P RP | 73043139 | CDS TUBE (OD 261 X ID 218 X5820 MM) QTY 34.920 METER | 22.44 | 97,832 | 21,94,865 | PUC |
| 2011-12 | 20111206 | CHINA P RP | 73043129 | SEAMLESS STEEL CYLINDER TUBES - 225*200 | 22.28 | 81,563 | 18,17,221 | PUC |
| 2011-12 | 20111126 | CHINA P RP | 73049000 | PRIME COLD DRAWN SEAMLESS STEEL TUBES,NBK CONDITION DIN2391ST35 OD18MM X WT. 2M | 22.00 | 1,26,411 | 27,81,038 | PUC |
| 2011-12 | 20111130 | CHINA P RP | 73049000 | HIGH FREQUENCY STEEL PIPE (SIZE: 135X135X10MM) (PARTS OF TOWER CRANE) (FOR CAPT | 22.00 | 42,210 | 9,28,619 | PUC |
| 2011-12 | 20111129 | CHINA P RP | 73049000 | SECONDARY DEFECTIVE M.S PIPE FITTINGS | 22.00 | 32,252 | 7,09,534 | PUC |
| 2011-12 | 20111212 | CHINA P RP | 73043939 | SAE52100 SEAMLESS PIPE 24.65 X 4.75 (MADE OF MS) | 21.85 | 81,089 | 17,72,035 | PUC |
| 2011-12 | 20111216 | CHINA P RP | 73043129 | STEEL TUBE 137MM*6.5MM(FOR CAPTIVE CONSUMPTION) | 21.72 | 61,227 | 13,29,941 | PUC |
| 2011-12 | 20111201 | CHINA P RP | 73042990 | SEAMLESS STEEL PIPES (OD 20.40 MM +/-0.1MM ID 13MM +/-0.1MM HARDNESS 123-179) | 21.60 | 78,813 | 17,02,037 | PUC |
| 2011-12 | 20111130 | CHINA P RP | 73043119 | SEAMLESS COLD DRAWN TUBES SPHERODIZED ANNEALED GRADE: SAE 52100 (GCR15) SIZES 3 | 21.54 | 79,356 | 17,09,179 | PUC |
| 2011-12 | 20111221 | CHINA P RP | 73041990 | BEARING QUALITY STEEL TUBE 28.0*5.0 (3 BUNDLES) | 21.46 | 79,136 | 16,98,427 | PUC |
| 2011-12 | 20111125 | CHINA P RP | 73043911 | SEAMLESS CARBON STEEL TUBES (TO SPEC SA210)OD 38.10 X 4.50 X 13800 | 21.00 | 84,281 | 17,69,902 | PUC |
| 2011-12 | 20111216 | CHINA P RP | 73045110 | SEAMLESS STEEL TUBES (COLD DRAWN CARBON STEEL TUBES ASTM A 519 GRADE SAE 1541 (| 21.00 | 58,912 | 12,37,143 | PUC |
| 2011-12 | 20111130 | CHINA P RP | 73041110 | SEAMLESS STEEL PIPES E355 (103.5*76.5*1406) | 20.73 | 58,566 | 12,14,192 | PUC |
| 2011-12 | 20111213 | SPAIN | 73041110 | SEAMLESS CARBON STEEL TUBES CONFORMING TO SA 192 SIZE: 60,3X4X6220MM | 20.00 | 1,37,373 | 27,47,461 | PUC |

**Import Data from DGCIS [All Countries PUC]
Apr 2009 to Jun 2012**

| Year | Date | Country | ITC-HS | Item-Des | Quantity (MT) | Price (Rs./MT) | Value (Rs) | PUC/ NPUC |
|---------|----------|-------------|----------|---|---------------|----------------|------------|--------------|
| 2011-12 | 20111208 | CHINA P RP | 73049000 | STEEL TUBES19.7 OD X 2.65 WT | 20.00 | 1,00,358 | 20,07,161 | PUC |
| 2011-12 | 20111221 | CHINA P RP | 73049000 | SEAMLESS STEEL TUBE 31.85*3.2*5000-5800 MM | 20.00 | 67,726 | 13,54,517 | PUC |
| 2011-12 | 20111209 | CHINA P RP | 73049000 | CARBON STEEL SEAMLESS PIPES | 20.00 | 36,633 | 7,32,654 | PUC |
| 2011-12 | 20111215 | JAPAN | 73049000 | BEARING QUALITY STEEL TUBES SAE52100 OD51.25XWT7.90MM | 19.93 | 1,19,561 | 23,82,849 | PUC |
| 2011-12 | 20111213 | CHINA P RP | 73041110 | SEAMLESS STEEL PIPE E355 (103.5 * 96.5 * 1450) | 19.53 | 61,272 | 11,96,759 | PUC |
| 2011-12 | 20111212 | CHINA P RP | 73043119 | SAE52100 SEAMLESS PIPES COLD DRAWN HIGH CARBON CHROMIUM BEARING STEEL TUBE SIZE | 19.47 | 79,382 | 15,45,561 | PUC |
| 2011-12 | 20111130 | CHINA P RP | 73043121 | SKIVED & BURNISHED TUBES - SIZE: ID 200 X OD 230MM DIAMETER | 19.20 | 83,084 | 15,95,041 | PUC |
| 2011-12 | 20111213 | CHINA P RP | 73041110 | SEAMLESS STEEL PIPE E355 (103.5 * 76.5 * 1450) | 19.08 | 61,188 | 11,67,581 | PUC |
| 2011-12 | 20111217 | GERMANY | 73043939 | HOT ROLLED SEAMLESS TUBES E 355 EN 10297 203 X 25 MM | 18.05 | 1,02,822 | 18,56,140 | PUC |
| 2011-12 | 20111210 | JAPAN | 73041910 | C.R. ALLOY STEEL TUBE FOR BEARING SUJ2 Z JC | 18.00 | 1,30,431 | 23,47,761 | PUC |
| 2011-12 | 20111226 | CHINA P RP | 73049000 | SEAMLE STEEL TUBE BK LENGHT 5 TO 5.8 METERS (20) 30.00MMX 7.00 | 18.00 | 90,709 | 16,32,753 | PUC |
| 2011-12 | 20111227 | CHINA P RP | 73043911 | HOT FINISHED SEAMLESS STEEL TUBES (34CRMO4) SIZE: 229MM X 5.8MM | 17.68 | 67,854 | 11,99,659 | PUC |
| 2011-12 | 20111122 | CHINA P RP | 73043139 | CDS TUBE (OD 273XID 216X5700 MM) QTY 11.4 METER | 17.12 | 1,01,816 | 17,43,092 | PUC |
| 2011-12 | 20111121 | CHINA P RP | 73042390 | CASING PIPE 9-6 5/8 43.5 PPF J155 BTC R3 API SPAC 5CT (OILFIELD PURPOSE) DGH | 17.00 | 52,607 | 8,94,316 | PUC |
| 2011-12 | 20111223 | JAPAN | 73049000 | ALLOY STEEL SEAMLESS STEEL TUBES O.D.47.55MMXW/TH. 5.30MM | 16.95 | 2,39,126 | 40,52,794 | PUC |
| 2011-12 | 20111129 | JAPAN | 73049000 | BEARING QUALITY STEEL TUBES SAE52100 OD62.90MM X WT6.15MM | 16.76 | 1,18,354 | 19,83,029 | PUC |
| 2011-12 | 20111128 | CHINA P RP | 73045110 | 4.76MM 0.6MM SINGLE SIDE COPPER COATED STEEL TUBE | 16.73 | 69,912 | 11,69,487 | PUC |
| 2011-12 | 20111208 | CHINA P RP | 73043919 | CARBON STEEL SEAMLESS TUBE TO ASTM A209 T1 (SIZE 33.40 MM OD X 3.4 MM WT X 900 | 16.00 | 1,12,210 | 17,95,357 | PUC |
| 2011-12 | 20111129 | FRANCE | 73049000 | CARBON STEEL SEAMLESS HOT FINISHED PIPES ASTM A 333 GR.B 6/API5L X52, BEVEL END | 15.00 | 1,26,024 | 18,90,363 | PUC |
| 2011-12 | 20111210 | CHINA P RP | 73043911 | 73043911 SEAMLESS PIPES (CARBON STEEL)TO SPEC SA106 | 14.00 | 66,180 | 9,26,513 | PUC |
| 2011-12 | 20111130 | CHINA P RP | 73045920 | HOT FINISHED CARBON STEEL SEAMLESS MOTHER PIPES [203.2MM X48 MM X 6.45M X 4] | 14.00 | 57,199 | 8,00,791 | PUC |
| 2011-12 | 20111124 | U S A | 73042990 | HEAVY WEIGHT DRILL PIPES (HW) 3-1/2 OD 25.3 PPF TJ/OD 4-3/4 3-1/2 , 35 NOS., | 13.37 | 3,28,027 | 43,86,050 | PUC |
| 2011-12 | 20111209 | CHINA P RP | 73045110 | BEARING QUALITY STEEL TUBE SAE-52100 AND SUJ-3 (TMB6304 OR) SIZE 52.6 X 5.55MM | 13.36 | 91,011 | 12,15,720 | PUC |
| 2011-12 | 20111217 | SWITZERLAND | 73049000 | SEMI PROFILE KBK I-1.10275-2414 MTR | 12.42 | 85,041 | 10,56,044 | PUC |
| 2011-12 | 20111202 | JAPAN | 73049000 | COLD DRAWN SEAMLESS STEEL TUBE (FOR PISTON PIN) GRADE SCM-415H (O.D. 13.40MM | 12.00 | 1,77,691 | 21,32,296 | PUC |
| 2011-12 | 20111216 | CHINA P RP | 73042390 | HWDP 4.1/2 LENGTH 30FT(20PCS.USD X USD 3140.00 PER PCS) | 11.95 | 2,86,394 | 34,21,834 | PUC |
| 2011-12 | 20111222 | CHINA P RP | 73043129 | NON ALLOY STEEL SEAMLESS PIPES API 5L GRADE B 168.3MMX13.5MM | 11.00 | 59,010 | 6,49,108 | PUC |
| 2011-12 | 20111203 | JAPAN | 73041190 | A 106 GR.B BE SMLS PIPE, 10 , SCH:140 | 10.80 | 2,31,382 | 24,98,929 | PUC |
| 2011-12 | 20111129 | CANADA | 73049000 | SEAMLESS STEEL TUBES SAE52100 32.60MM ODX3.28MM WT X3500-4500MM LONG | 10.49 | 1,28,738 | 13,50,460 | PUC |
| 2011-12 | 20111126 | U S A | 73049000 | CARBON STEEL SEAMLESS PIPES (SA 106) | 9.51 | 1,17,130 | 11,14,143 | PUC |
| 2011-12 | 20111208 | BELGIUM | 73049000 | SECONDARY SECOND CHOICE SEAMLESS STEEL PIPES MIXED | 9.00 | 29,552 | 2,65,972 | PUC |
| 2011-12 | 20110827 | U K | 73049000 | SECONDARY & DEFECTIVE UNUSED SEAMLESS PIPES | 9.00 | 23,867 | 2,14,804 | PUC |
| 2011-12 | 20111207 | CHINA P RP | 73045110 | BEARING QUALITY STEEL TUBE SAE52100 SIZE: 30.5*3.1 MM | 8.61 | 73,640 | 6,34,261 | PUC |
| 2011-12 | 20111213 | CHINA P RP | 73044900 | SEAMLESS COLD DRAWN TUBE:TUBES SA 53 GR A SIZE(101.6*4.37*3560 MM) | 8.48 | 71,010 | 6,02,165 | PUC |
| 2011-12 | 20111128 | U S A | 73041910 | CARBON STEEL SEAMLESS PIPES SA106 | 8.45 | 1,51,939 | 12,84,035 | PUC |
| 2011-12 | 20111207 | CHINA P RP | 73042990 | CASING PIPE 9-5/8 N-80,43.5PPF BTC | 8.40 | 59,592 | 5,00,556 | PUC |
| 2011-12 | 20111226 | CHINA P RP | 73045110 | BEARING QUALITY STEEL TUBE SAE52100 SIZE : 30.4*3.1 | 8.02 | 73,640 | 5,90,887 | PUC |
| 2011-12 | 20111122 | CHINA P RP | 73045110 | CARBON STEEL SEAMLESS TUBES (FULLY KILLED), AS PER DIN17175ST35.8 - SIZE: OD: 2 | 8.00 | 56,897 | 4,55,175 | PUC |
| 2011-12 | 20111125 | AUSTRIA | 73049000 | 180*19/22 210G TELESCOPIC PIPE, GREEN(3000PCS)(60 CTN) | 7.92 | 78,312 | 6,19,999 | PUC |
| 2011-12 | 20110923 | OMAN | 73049000 | CARBON STEEL SECONDARY/DEFECTIVE SEAMLESS PIPES | 7.00 | 24,982 | 1,74,873 | PUC |
| 2011-12 | 20111208 | CHINA P RP | 73041190 | SEAMLESS STEEL BOOM BRACING TUBE 83 X 6 X 8.85M | 7.00 | 99,945 | 6,99,612 | PUC |

**Import Data from DGCIS [All Countries PUC]
Apr 2009 to Jun 2012**

| Year | Date | Country | ITC-HS | Item-Des | Quantity (MT) | Price (Rs./MT) | Value (Rs) | PUC/ NPUC |
|---------|----------|------------|----------|---|---------------|----------------|--------------|--------------|
| 2011-12 | 20111212 | CHINA P RP | 73041910 | PRIME HOT FINISHED CARBON STEEL SEAMLESS PIPES GRADE ASME SA 106 GR B SIZE: 27 | 7.00 | 58,989 | 4,12,922 | PUC |
| 2011-12 | 20111219 | CHINA P RP | 73043129 | MS SEAMLESS TUBE (PART NO.70930797) 150 MM X 75 MM X 9 MM X 6000 MM THK. | 6.61 | 78,952 | 5,21,524 | PUC |
| 2011-12 | 20111219 | CHINA P RP | 73043129 | COLD DRAWN STEEL TUBE (137.00X124.5MM) | 6.00 | 83,916 | 5,03,496 | PUC |
| 2011-12 | 20111212 | CHINA P RP | 73041910 | PRIME HOT FINISHED CARBON STEEL SEAMLESS PIPES GRADE ASME SA 333 GR 6 SIZE: 50 | 6.00 | 80,668 | 4,84,010 | PUC |
| 2011-12 | 20111215 | ROMANIA | 98010013 | SEAMLESS CARBON STEEL PIPES(TO SPEC SA106) S37/38/2011 CIF: RS.978239 | 5.00 | 1,95,648 | 9,78,238 | PUC |
| 2011-12 | 20111202 | ROMANIA | 98010013 | 98010013 SEAMLESS PIPES(C/S)(S37/19/2011)TO SPEC.SA106 | 5.00 | 1,25,827 | 6,29,135 | PUC |
| 2011-12 | 20111024 | MOZAMBIQUE | 73042990 | CARBON STEEL PIPES (PRIME) | 5.00 | 34,137 | 1,70,684 | PUC |
| 2011-12 | 20111219 | CHINA P RP | 73043119 | MS SEAMLESS TUBE (PART NO.70930821) 50 MM X 50 MM X 6 MM X6000 MM THK. | 4.71 | 1,45,112 | 6,83,304 | PUC |
| 2011-12 | 20111221 | CHINA P RP | 73043911 | CS NACE SEAMLESS PIPES (A106 GRB) SIZE: 4 | 4.56 | 59,787 | 2,72,411 | PUC |
| 2011-12 | 20111229 | THAILAND | 73069090 | CARBON STEEL PIPE - 9 X 0.6 X 2200 MM | 4.10 | 1,73,879 | 7,13,444 | PUC |
| 2011-12 | 20111122 | CHINA P RP | 73043129 | CDS TUBE(OD 185 X ID 114X1110 MM) QTY 23.31 METER | 4.07 | 1,17,644 | 4,78,339 | PUC |
| 2011-12 | 20111117 | CHINA P RP | 73043119 | SEAMLESS STEEL TUBE -20, 5-5.8 METER22.2 X 14.2 | 4.00 | 61,351 | 2,45,405 | PUC |
| 2011-12 | 20111228 | CHINA P RP | 73049000 | SEAMLESS STEEL PIPES SIZE 88.9 X 5.49 MM GRADE J55 LENGTH 5.8 M | 3.00 | 66,106 | 1,98,318 | PUC |
| 2011-12 | 20111217 | CHINA P RP | 73043919 | COLD DRAWN SEAMLESS CARBON STEEL TUBES ASTM A179 (SIZE: 30X3X10000-11800) | 2.26 | 60,490 | 1,36,465 | PUC |
| 2011-12 | 20111130 | GERMANY | 73049000 | OILWELL EQUIPMENT: ASSY, CONTROL VALVE (1- NUM) | 2.00 | 1,28,802 | 2,57,604 | PUC |
| 2011-12 | 20111223 | GERMANY | 73049000 | SECONDARY M.S. SEAMLESS PIPE | 2.00 | 30,320 | 60,639 | PUC |
| 2011-12 | 20111221 | CHINA P RP | 73041910 | M.S. PIPES (CORE BIT PIPES) - SIZE: 247*2.5*445, DRAWING: HMI-TB-0004, D.K.PAR | 1.80 | 2,11,101 | 3,79,982 | PUC |
| 2011-12 | 20111208 | CHINA P RP | 73041990 | SEAMLESS STEEL(ALLOY) PIPE AS PER PO NO. DDEL/P2/4922,DDEL/P2/5026,DDEL/P1/ | 1.78 | 1,47,280 | 2,62,158 | PUC |
| 2011-12 | 20111123 | ITALY | 73049000 | 14 X 0.750 CS PIPE, SMLS, ASME B 36.10 ASTM A106 GR B API-5L X 52, PSL2 (11. | 1.74 | 2,22,265 | 3,86,741 | PUC |
| 2011-12 | 20111222 | JAPAN | 73043119 | COLD DRAWN SEAMLESS HYDRAULIC AND PNEUMATIC LINE PIPES (ROUND 28.00X24.00X2.00) | 1.68 | 1,43,398 | 2,40,983 | PUC |
| 2011-12 | 20111130 | INDONESIA | 73049000 | 10 SCH 80 SMLS PIPE GR 3 ASTM A333 DIM ANSI B36.10 | 1.40 | 4,60,351 | 6,44,491 | PUC |
| 2011-12 | 20111130 | CHINA P RP | 73043119 | CARBON STEEL SEAMLESS TUBES-ASME SA210 GR.A1 SIZE(50.8 X 4.06 X 6100MM) | 1.37 | 90,466 | 1,23,667 | PUC |
| 2011-12 | 20111203 | JAPAN | 73049000 | A 106 GR.B BE SMLS PIPE, 6 , SCH:160 | 1.20 | 1,01,544 | 1,21,853 | PUC |
| 2011-12 | 20111126 | U S A | 73049000 | OILWELL EQUIPMENT: CASING, HARD, IRON 8 X 6 X 14 MAGNUM I PUMP 19117-01-30 (2- | 1.10 | 1,77,005 | 1,94,351 | PUC |
| 2011-12 | 20111214 | GERMANY | 73049000 | DRILL TUBE TYPE 45 22.00X14MM-45-0410-050 | 1.00 | 63,393 | 63,393 | PUC |
| 2011-12 | 20111227 | CHINA P RP | 73043911 | HOT FINISHED SEAMLESS STEEL TUBES (34CRMO4) SIZE: 229MM X 5.8MM | 0.95 | 67,854 | 64,258 | PUC |
| 2011-12 | 20111213 | CHINA P RP | 73042990 | 2-7/8 OD 6.5 PPF N-80 EUE PUP JOINT 10FT(MAT CODE 062504189) (0.272 MTS) (1 BD | 0.70 | 2,06,066 | 1,44,246 | PUC |
| 2011-12 | 20111215 | U S A | 73041910 | OILWELL SUPPLIES PIPE, STEEL LINE 4 IN SCH 80 SEAMLESS 21;(CERT INCLUDED) | 0.50 | 2,37,996 | 1,18,998 | PUC |
| 2011-12 | 20111209 | GERMANY | 73049000 | OIL WELL EQUIPMENT (RE-EXPORT BASIS) : WRENCH, SPANNER, F/CARTRIDGE CAP, 4.75CB | 0.50 | 1,16,628 | 58,314 | PUC |
| 2011-12 | 20111215 | CHINA P RP | 73043119 | CDS TUBE (OD 50.8 X ID 31.4 X3180 MM) QTY 28.620 METER | 0.31 | 1,01,074 | 31,434 | PUC |
| 2011-12 | 20111215 | U K | 73049000 | MAGNET ALNICO BARS & KEEPER 75X15X10 (PR) (EDUCATION MATERIALS) | 0.20 | 72,546 | 14,219 | PUC |
| 2011-12 | 20111223 | SINGAPORE | 73049000 | OILWELL EQUIPMENTS:ASSY, HOSE (1 NUM) | 0.19 | 37,784 | 6,990 | PUC |
| 2011-12 | 20111221 | CHINA P RP | 73043911 | PIPE SEMLESS ASTM A 106 C IBR 10 NA THK HEVY PLAIN END ASME B36.10M THICK 50 M | 0.17 | 2,13,016 | 36,692 | PUC |
| 2011-12 | 20111209 | U K | 73049000 | REJECTED/DEFECTIVE SEAMLESS STEEL TUBES, SECOND CHOICE | 0.02 | 11,050 | 221 | PUC |
| 2011-12 | 20111219 | CHINA P RP | 73049000 | CARBON STEEL SEAMLESS PIPE | 0.02 | 1,16,000 | 2,320 | PUC |
| 2011-12 | 20111207 | U K | 73049000 | OILWELL EQUIPMENT: ASSY,WASHER AND TAP PSA - 150 AIR OPERATED POWER SLIPS (5 NU | 0.01 | 1,07,600 | 538 | PUC |
| 2011-12 | 20111111 | GERMANY | 73049000 | BAR STOCK LENGTH:103CM-1 PCS | 0.003 | 1,46,333 | 439 | PUC |
| 2011-12 | 20120119 | CHINA P RP | 98010013 | 98010013 SEAMLESS CARBON STEEL HOLLOW(S37/32/2011) | 2,332.00 | 64,619 | 15,06,91,553 | PUC |
| 2011-12 | 20111228 | CHINA P RP | 73042990 | CASING PIPE 5 - 1/2 , L-80, 17PPF, BTC (2024.720MT) (6318 PCS) (INVOICE NO. MU | 1,972.78 | 63,112 | 12,45,05,394 | PUC |
| 2011-12 | 20120116 | CHINA P RP | 73042990 | REGULAR SIZE CASING PIPES 7 , 29 PPF, L-80, BTC, 3650 PCS | 1,834.87 | 63,905 | 11,72,56,500 | PUC |
| 2011-12 | 20120127 | CHINA P RP | 73041910 | PLAIN END SEAMLESS PIPES SIZE: 5-1/2 OD {1512.301 MTS = 60185.63 MTRS (OR) 499 | 1,512.80 | 51,925 | 7,85,51,879 | PUC |

**Import Data from DGCIS [All Countries PUC]
Apr 2009 to Jun 2012**

| Year | Date | Country | ITC-HS | Item-Des | Quantity (MT) | Price (Rs./MT) | Value (Rs) | PUC/ NPUC |
|---------|----------|------------|----------|--|---------------|----------------|-------------|--------------|
| 2011-12 | 20120102 | CHINA P RP | 73041910 | PLAIN END SEAMLESS PIPES OF SIZE: 3-1/2 OD {869.648 MTS = 46640.99 MTRS (OR) 4 | 1,394.24 | 53,987 | 7,52,70,746 | PUC |
| 2011-12 | 20120106 | CHINA P RP | 73042990 | TUBING 2-7/8 OD 6.5 PPF L-80 EUE (11538 PCS) (1055.825 MTS)(INVOICE NO :- MUL/ | 1,063.89 | 65,562 | 6,97,51,262 | PUC |
| 2011-12 | 20120121 | CHINA P RP | 73041910 | PLAIN END SEAMLESS PIPES OF SIZE: 2-7/8 OD {495.471 MTS = 53288.77 MTRS (OR) 5 | 986.85 | 53,858 | 5,31,49,335 | PUC |
| 2011-12 | 20120116 | CHINA P RP | 73049000 | CARBON STEEL SEAMLESS TUBES (SA 210C) SIZE: OD 45 X 6.9MWTX LENGTH 10000MM | 952.24 | 71,302 | 6,78,96,522 | PUC |
| 2011-12 | 20120119 | CHINA P RP | 73043911 | 73043911 SEAMLESS CARBON STEEL HOLLOWES | 710.00 | 64,734 | 4,59,61,276 | PUC |
| 2011-12 | 20111230 | CHINA P RP | 73043911 | SEAMLESS STEEL CYLINDER PIPE (37MN) SIZE: 232MM X 5.4MM | 637.00 | 60,504 | 3,85,41,133 | PUC |
| 2011-12 | 20111227 | CHINA P RP | 73043911 | SEAMLESS CARBON STEEL TUBES TO SPEC SA210[SIZE:50.8X7.11X14400MM][29692.8MTR@US | 625.00 | 77,090 | 4,81,81,551 | PUC |
| 2011-12 | 20111228 | CHINA P RP | 73042990 | TUBING 2-7/8 OD 6.5 PPF L-80 EUE (573.230MT) (6304 PCS) (INV.NO. MUL/ONGC/7360 | 580.30 | 64,762 | 3,75,81,528 | PUC |
| 2011-12 | 20120102 | CHINA P RP | 73042990 | TUBING 2-7/8 OD 6.5 PPF N-80 EUE(MAT CODE 150019009) (575.001MT) (6240 PCS) (I | 580.24 | 66,279 | 3,84,57,619 | PUC |
| 2011-12 | 20120116 | CHINA P RP | 73042390 | EUE PRODUCTION TUBINGS 2-7/8 OD 6.5 PPF L-80 EUE, 4214 PCS | 580.10 | 65,562 | 3,80,32,541 | PUC |
| 2011-12 | 20120109 | CHINA P RP | 73041910 | PLAIN END SEAMLESS PIPES OF SIZE: 7 OD {516.780 MTS = 12079.92 MTRS }OR) 962 P | 516.96 | 54,054 | 2,79,43,785 | PUC |
| 2011-12 | 20120117 | CHINA P RP | 73043911 | HOT FINISHED SEAMLESS STEEL TUBES SIZE: 267MM X 6MM 34CRMO4(ALLOY STEEL) | 514.00 | 68,744 | 3,53,34,392 | PUC |
| 2011-12 | 20120103 | ROMANIA | 73049000 | CARBON STEEL SEAMLESS TUBES (SA210) | 352.14 | 74,807 | 2,63,42,531 | PUC |
| 2011-12 | 20120125 | CHINA P RP | 98010013 | 98010013 SEAMLESS PIPES(C/S)(S37/33/2011)TO SPEC.SA106 | 322.00 | 1,76,445 | 5,68,15,129 | PUC |
| 2011-12 | 20120119 | CHINA P RP | 73069090 | CARBON SEAMLESS STEEL PIPE 134MM X4.5MM X6000MM | 318.00 | 55,152 | 1,75,38,463 | PUC |
| 2011-12 | 20120123 | CHINA P RP | 73045920 | SEAMLESS STEEL PIPES 139.7MM X 4.5 MM X 5480 MM | 301.00 | 61,199 | 1,84,21,048 | PUC |
| 2011-12 | 20120116 | CHINA P RP | 73042990 | REGULAR SIZE CASING PIPES 5-1/2 . 17 PPF, N-80 BTC, 1995 PCS | 293.34 | 1,28,843 | 3,77,94,911 | PUC |
| 2011-12 | 20120102 | GERMANY | 73043911 | PIPE (STEEL PIPES) A 672 GRB 60 CLASS 22 NACE+ HIC 26 X 29MM THICK TOTAL WEIG | 293.00 | 79,165 | 2,31,95,282 | PUC |
| 2011-12 | 20110805 | OMAN | 73049000 | SECONDARY /DEFECTIVE CARBON STEEL SEAMLESS PIPES | 289.10 | 25,771 | 74,50,372 | PUC |
| 2011-12 | 20120102 | U K | 73042990 | EUE PRODUCTION TUBINGS 2-7/8 OD 6.5 PPF P-110 EUEP.O.NO- 4050007360 DT.05.08.2 | 254.33 | 69,419 | 1,76,55,621 | PUC |
| 2011-12 | 20120123 | CHINA P RP | 73041910 | PLAIN END SEAMLESS PIPES OF SIZE: 5-1/2 OD {502.938 MTS = 20015.54 MTRS (OR) 1 | 248.93 | 1,04,944 | 2,61,23,585 | PUC |
| 2011-12 | 20120102 | U K | 73042990 | EUE PRODUCTION TUBINGS 2-7/8 OD 8.7 PPF P-110 EUEP.O.NO- 4050007360 DT.05.08.2 | 245.09 | 70,305 | 1,72,30,888 | PUC |
| 2011-12 | 20120110 | CHINA P RP | 73049000 | CARBON STEEL SEAMLESS PIPES GR.ASTM 106 B/API 5L B | 224.00 | 38,478 | 86,19,016 | PUC |
| 2011-12 | 20120113 | CHINA P RP | 73043911 | SEAMLESS TUBULAR (API-5L-GRADE-X52, PSL-2) 10 DIA | 209.00 | 83,514 | 1,74,54,353 | PUC |
| 2011-12 | 20111224 | CHINA P RP | 73043911 | SEAMLESS CARBON STEEL TUBES TO SPEC SA210[SIZE:50.8X7.11X14400MM][20174.4MTR@U | 206.00 | 78,062 | 1,60,80,671 | PUC |
| 2011-12 | 20120117 | GERMANY | 73049000 | SECONDARY / DEFECTIVE M.S. SEAMLESS PIPE | 205.00 | 30,138 | 61,78,341 | PUC |
| 2011-12 | 20120117 | CHINA P RP | 73043919 | CARBON STEEL SEAMLESS TUBES ASTM A179 (SIZE 42 X 3.2 X 10000 - 11800) | 205.00 | 61,395 | 1,25,85,898 | PUC |
| 2011-12 | 20120116 | U S A | 73049000 | CARBON STEEL SEAMLESS PIPES GR.AS PER ASTM A106 B/API 5L B | 201.00 | 37,787 | 75,95,103 | PUC |
| 2011-12 | 20120116 | CHINA P RP | 73049000 | SEAMLESS CARBON STEEL PIPE API SPEC 5L B PSL1/ASTM A106B219.1MM X 8.18MM | 189.00 | 54,911 | 1,03,78,178 | PUC |
| 2011-12 | 20120103 | SINGAPORE | 73069090 | SMLS STEEL TUBES FOR HYDRAULIC CYLINDER (HCTFCILEN1030C0001) (SIZE:DM:97.00MMXI | 187.62 | 1,75,126 | 3,28,57,265 | PUC |
| 2011-12 | 20120124 | SINGAPORE | 73049000 | SEAMLESS CARBON STEEL PIPES | 184.00 | 38,278 | 70,43,086 | PUC |
| 2011-12 | 20120112 | CHINA P RP | 73049000 | SEAMLESS STEEL PIPES ACCORDING TO ASTM A 106/API 5L GRADE B | 182.00 | 45,378 | 82,58,791 | PUC |
| 2011-12 | 20120104 | U K | 73042990 | SUPPLY OF 13-3/8 , 9-5/8 , 7 & 5-1/2 REGULAR SIZE CASINGPIPES, 13-3/8 , 68PPF | 181.32 | 63,469 | 1,15,08,310 | PUC |
| 2011-12 | 20120116 | CHINA P RP | 73042990 | SUPPLY OF 5-1/2 17PPF N-80, BTC, CASING PAPIES S.O.4050007414, REGULAR SIZE, | 176.25 | 63,751 | 1,12,36,308 | PUC |
| 2011-12 | 20120113 | CHINA P RP | 73049000 | CARBON STEEL SEAMLESS TUBES (SA 210C) SIZE: OD 45 X 6.9MWTX LENGTH 10000MM | 169.60 | 71,302 | 1,20,93,062 | PUC |
| 2011-12 | 20120116 | MALAYSIA | 73049000 | CARBON STEEL SEAMLESS PIPES CONFIRMING TO SPECIFICATION AS PER ASTM A 106/API 5 | 168.00 | 44,526 | 74,80,429 | PUC |
| 2011-12 | 20120114 | CHINA P RP | 73045110 | BEARING QUALITY STEEL TUBE SAE 52100 (6303 MOR) SIZE 47.20 X 37.30 MM | 160.25 | 68,479 | 1,09,73,555 | PUC |
| 2011-12 | 20111021 | SAUDI ARAB | 73049000 | SCECONDARY SECOND CARBON STEEL SEAMLESS/WELDED PIPES MIXED THICKNESS . MIXED LOT | 155.23 | 24,664 | 38,28,586 | PUC |
| 2011-12 | 20120109 | CHINA P RP | 73041910 | CARBON STEEL SEAMLESS MOTHER PIPES (HOT FINISH) API5L GR. B/ASTM A 106 GR .B / | 150.00 | 44,946 | 67,41,839 | PUC |
| 2011-12 | 20120110 | CHINA P RP | 73042400 | M/S.SEAMLESS PIPE 48.3MM X 5.5MM-5.36 MTR | 149.50 | 53,366 | 79,78,477 | PUC |
| 2011-12 | 20111231 | CHINA P RP | 73043919 | CARBON STEEL SEAMLESS PIPES ASTM A 106 GR.B(SIZE= 22X5.2X5000-5800 MM | 148.97 | 47,942 | 71,41,775 | PUC |

**Import Data from DGCIS [All Countries PUC]
Apr 2009 to Jun 2012**

| Year | Date | Country | ITC-HS | Item-Des | Quantity (MT) | Price (Rs./MT) | Value (Rs) | PUC/ NPUC |
|---------|----------|-------------|----------|---|---------------|----------------|-------------|--------------|
| 2011-12 | 20120119 | U S A | 73045110 | BEARING QUALITY STEEL TUBE SAE 52100 (NUP208ELOSSELIP) SIZE54.25 X 39.67 MM | 147.58 | 70,312 | 1,03,76,879 | PUC |
| 2011-12 | 20120113 | CHINA P RP | 73043911 | CARBON STEEL SEAMLESS PIPE50.8 X 5.25 X 6096 | 141.00 | 60,663 | 85,53,481 | PUC |
| 2011-12 | 20111129 | CHINA P RP | 73049000 | CARBON STEEL SEAMLESS PIPES | 133.00 | 36,702 | 48,81,418 | PUC |
| 2011-12 | 20120119 | CHINA P RP | 73045910 | CARBONSTEELSEAMLESSTUBESFULLYKILLEDOD-30MM ,W.T-3MM . LENGTH-10-11M | 128.16 | 58,998 | 75,61,274 | PUC |
| 2011-12 | 20120123 | CHINA P RP | 73049000 | CARBON STEEL SEAMLESS PIPES GR. AS PER ASTM A106 GR.B/A53 GR.B/API 5L GR.B | 127.00 | 41,990 | 53,32,682 | PUC |
| 2011-12 | 20120117 | ITALY | 73049000 | COLD DRAWN SEAMLESS STEEL TUBES-150.00X7.75E355+SR4000-5800 | 124.18 | 1,04,343 | 1,29,57,516 | PUC |
| 2011-12 | 20120116 | CHINA P RP | 73042990 | REGULAR SIZE CASING PIPE 7 , L-80, 26 PPF BTC, 274 PCS | 121.52 | 65,229 | 79,26,809 | PUC |
| 2011-12 | 20111228 | ITALY | 73049000 | COLD DRAWN SEAMLESS STEEL TUBE145,00 X10,00 E355 +SR4000-5800 | 120.90 | 69,771 | 84,34,995 | PUC |
| 2011-12 | 20120120 | CHINA P RP | 73049000 | MILD STEEL SEAMLESS PIPES AS PER ASTM A106 GR.B/API 5L GR.B/A53 GR.B | 118.00 | 51,399 | 60,65,113 | PUC |
| 2011-12 | 20120107 | CHINA P RP | 73043919 | SEAMLESS STEEL TUBE ASTM A519 1026+SR SIZE OD 57.15 MMX1D38.35MMXL2.5-3M) | 114.00 | 67,918 | 77,42,687 | PUC |
| 2011-12 | 20120109 | CHINA P RP | 73049000 | STEEL TUBES - RTW0GNO9601115111.5X7.75X4800 | 113.42 | 1,17,452 | 1,33,21,790 | PUC |
| 2011-12 | 20120116 | CHINA P RP | 73042990 | SUPPLY OF 5-1/2 17PPF N-80, BTC, CASING PAPIES S.O.4050007414, REGULAR SIZE,36 | 112.78 | 63,745 | 71,89,417 | PUC |
| 2011-12 | 20120104 | U ARAB EMTS | 73049000 | MS SECONDARY DEFECTIVE SEAMLESS PIPE | 112.00 | 30,096 | 33,70,803 | PUC |
| 2011-12 | 20120119 | CHINA P RP | 73042990 | 7 CASING 23 PPF,K-55,BTC R-3,API 5CT [ECIN201201180050 DT.18.01.2012] (LIST 13 | 110.51 | 80,188 | 88,61,307 | PUC |
| 2011-12 | 20120119 | CHINA P RP | 73049000 | CARBON STEEL SEAMLESS PIPES ST52.4(16MN) | 106.00 | 37,994 | 40,27,384 | PUC |
| 2011-12 | 20111229 | GERMANY | 73049000 | CARBON STEEL SEAMLESS PIPES | 105.00 | 37,897 | 39,79,173 | PUC |
| 2011-12 | 20120116 | CHINA P RP | 73045910 | BEARINGS STEEL TUBES FOR MANUFACTURE OF OR & IR RACES 52.70X5.90 OTHER STEEL T | 104.04 | 83,512 | 86,88,209 | PUC |
| 2011-12 | 20120112 | SAUDI ARAB | 73049000 | SECONDARY CARBON STEEL PIPES SEAMLESS/WELDED MIXED THICKNESSMIXED LOT | 103.00 | 30,007 | 30,90,760 | PUC |
| 2011-12 | 20120116 | CHINA P RP | 73049000 | CARBON STEEL SEAMLESS PIPES ASTM 106 GR.B/API 5L GR.B | 102.00 | 38,051 | 38,81,151 | PUC |
| 2011-12 | 20120110 | CHINA P RP | 73049000 | CARBON STEEL SEAMLESS PIPES GR.ASTM A106 B API SPEC 5LB PSL1 | 102.00 | 37,739 | 38,49,341 | PUC |
| 2011-12 | 20120103 | SWEDEN | 73045110 | SECONDARY AND DFEECTIVE SEAMLESS STEEL TUBES (ALLOY STEEL) GRADE: 100 CR6 SIZE: | 101.80 | 33,739 | 34,34,670 | PUC |
| 2011-12 | 20120105 | CHINA P RP | 73049000 | CARBON STEEL SEAMLESS PIPES | 101.00 | 37,756 | 38,13,378 | PUC |
| 2011-12 | 20120123 | CHINA P RP | 73041990 | SEAMLESS STEEL TUBES ASTM A 106 GR.B (SIZE = 33.4 X 3.38 X 10500-11800 MM) | 100.26 | 50,182 | 50,31,273 | PUC |
| 2011-12 | 20120103 | CHINA P RP | 73041910 | HOT FINISHED SEAMLESS ST | 100.00 | 80,372 | 80,37,167 | PUC |
| 2011-12 | 20111227 | CHINA P RP | 73049000 | HIGH FREQUENCY STEEL PIPE (SIZE: 135X135X10MM) (PARTS OF TOWER CRANE) (FOR CAPT | 100.00 | 43,699 | 43,69,907 | PUC |
| 2011-12 | 20120120 | CHINA P RP | 73043119 | CARBON STEEL SEAMLESS PIPES (140X20MM) | 100.00 | 41,723 | 41,72,273 | PUC |
| 2011-12 | 20120106 | SPAIN | 73043911 | 73043911 SEAMLESS TUBES(CARBON STEEL)TO SPEC.SA210 | 99.00 | 1,29,598 | 1,28,30,195 | PUC |
| 2011-12 | 20111230 | CHINA P RP | 73049000 | COLD FINISHED SEAMLESS TUBES ASME SA 210 GR.C, OD 57.15MM XWT 10.16MM X F/L 692 | 99.00 | 1,15,405 | 1,14,25,068 | PUC |
| 2011-12 | 20120116 | CHINA P RP | 73049000 | CARBON STEEL SEAMLESS PIPES GR.ASTM A 106 B / API SPEC 5L BPSL1 | 99.00 | 37,654 | 37,27,795 | PUC |
| 2011-12 | 20120107 | CHINA P RP | 73041910 | HOLLOW BAR / BAR STOCK 6-1/2 OD X 2-13/16 ID, LENGTH 31 FEET WITH SLIP RECESS | 98.16 | 1,03,070 | 1,01,17,500 | PUC |
| 2011-12 | 20120117 | CHINA P RP | 73041910 | HOT FINISHED SEAMLESS ST | 97.00 | 79,974 | 77,57,444 | PUC |
| 2011-12 | 20120102 | ITALY | 73049000 | COLD DRAWN SEAMLESS STEEL TUBE135,00 X10,00 E355 +SR4000-5800 | 96.61 | 85,343 | 82,45,283 | PUC |
| 2011-12 | 20111128 | U K | 73042990 | EUE PRODUCTION TUBINGS PO NO.4050007360 DT.05.08.2011 2-7/8 OD 6.5 PPF P-110 EU | 96.55 | 65,250 | 62,99,626 | PUC |
| 2011-12 | 20120104 | BELGIUM | 73041910 | SECONDARY CARBON SEAMLESS STEEL PIPES | 96.00 | 30,445 | 29,22,700 | PUC |
| 2011-12 | 20111228 | BELGIUM | 73041910 | SECONDERY CARBON SEAMLESS STEEL PIPES | 96.00 | 29,997 | 28,79,749 | PUC |
| 2011-12 | 20120123 | CHINA P RP | 73049000 | SEAMLESS CARBON STEEL PIPE | 93.00 | 39,002 | 36,27,145 | PUC |
| 2011-12 | 20120113 | U ARAB EMTS | 73061929 | SECONDARY SECOND CHOICE C.S. WELDED/SEAMLESS PIPES | 92.00 | 30,018 | 27,61,617 | PUC |
| 2011-12 | 20120119 | CHINA P RP | 73043919 | SEAMLESS STEEL TUBE (ASTM A519 1026+SR)(SIZE : OD 50.80 MM X ID 38.10MM X L 2.5 | 89.00 | 67,831 | 60,36,953 | PUC |
| 2011-12 | 20120105 | CHINA P RP | 73045110 | BEARING QUALITY STEEL TUBE SAE 52100 (6205 MIR) SIZE 33.87 X 24.78 MM | 82.98 | 71,824 | 59,59,832 | PUC |
| 2011-12 | 20120120 | CHINA P RP | 73049000 | COLD DRAWN SEAMLESS STEEL PIPES AS PER ASTM A106/A53/API 5LGR.B. | 79.00 | 39,186 | 30,95,657 | PUC |
| 2011-12 | 20110906 | U K | 73049000 | SECONDARY SECOND CHOICE CARBON STEEL SEAMLESS/WELDED PIPES | 78.01 | 26,838 | 20,93,540 | PUC |

**Import Data from DGCIS [All Countries PUC]
Apr 2009 to Jun 2012**

| Year | Date | Country | ITC-HS | Item-Des | Quantity (MT) | Price (Rs./MT) | Value (Rs) | PUC/ NPUC |
|---------|----------|-------------|----------|---|---------------|----------------|-------------|--------------|
| 2011-12 | 20120110 | CHINA P RP | 73049000 | SEAMLESS CARBON STEEL PIPE | 77.00 | 39,008 | 30,03,586 | PUC |
| 2011-12 | 20111230 | CHINA P RP | 73043119 | CARBON STEEL SEAMLESS PIPES (API 5L/ASTM A106 GR. B) WT : 11MM OD : 273.1MM | 74.00 | 51,493 | 38,10,482 | PUC |
| 2011-12 | 20120110 | CHINA P RP | 73045930 | SEAMLESS CARBON STEEL PIPE SIZE:273*9.27MMSTD:SA 106 GRADE B | 74.00 | 37,310 | 27,60,935 | PUC |
| 2011-12 | 20111109 | TAIWAN | 73042910 | METAL PIPES H/R 35.5*3.0*780 | 73.18 | 27,705 | 20,27,417 | PUC |
| 2011-12 | 20120123 | CHINA P RP | 73045110 | (SEAMLESS TUBE)COLD DRAWN SEAMLESS CARBON STEEL TUBE ASTM A519 SEA1541(SIZE:88. | 72.13 | 1,23,034 | 88,74,330 | PUC |
| 2011-12 | 20120119 | CHINA P RP | 73041910 | SEAMLESS CARBON STEEL PIPES AS PER ASTM A106 GRB2 1/2 SCH40X5000-5800MM | 69.00 | 36,557 | 25,22,399 | PUC |
| 2011-12 | 20111230 | CHINA P RP | 73043119 | SEAMLESS PIPES COLD DRAWN SEAMLESS STEEL, SPHEROID ANNEALEDTUBE OD 52.50 ID 36 | 68.45 | 74,183 | 50,77,802 | PUC |
| 2011-12 | 20120105 | U S A | 73049000 | M S PIPES | 66.00 | 35,010 | 23,10,685 | PUC |
| 2011-12 | 20111229 | U S A | 73049000 | MS SECONDARY DEFECTIVE SEAMLESS PIPE | 66.00 | 29,563 | 19,51,142 | PUC |
| 2011-12 | 20120110 | U S A | 73049000 | MS SECONDARY DEFECTIVE SEAMLESS PIPE | 63.00 | 29,889 | 18,82,978 | PUC |
| 2011-12 | 20120106 | CHINA P RP | 73049000 | BEARING QUALITY STEEL TUBES SAE52100 OD62.85MMXWT7.55MM | 57.14 | 1,27,488 | 72,84,295 | PUC |
| 2011-12 | 20120113 | U ARAB EMTS | 73061929 | SECONDARY SECOND CHOICE C.S. SEAMLESS AND WELDED PIPES & PIPE FITTINGS | 57.00 | 32,835 | 18,71,591 | PUC |
| 2011-12 | 20120119 | ITALY | 73049000 | COLD DRAWN SEAMLESS STEEL TUBES-92.00X6.00E355+SR 4000-5800 | 55.99 | 1,14,801 | 64,27,169 | PUC |
| 2011-12 | 20120112 | CHINA P RP | 73049000 | SEAMLESS STEEL PIPES ACCORDING TO ASTM A 106/API 5L GRADE B | 55.00 | 46,243 | 25,43,381 | PUC |
| 2011-12 | 20111230 | CHINA P RP | 73043911 | SEAMLESS STEEL CYLINDER PIPE (37MN) SIZE: 232MM X 5.4MM | 54.00 | 60,231 | 32,52,447 | PUC |
| 2011-12 | 20120127 | CHINA P RP | 73069090 | CARBON SEAMLESS STEEL PIPE 139.2MM X7.1MM X6000MM | 54.00 | 54,330 | 29,33,825 | PUC |
| 2011-12 | 20120123 | SINGAPORE | 73043929 | CARBON SEAMLESS STEEL PIPE (SIZE: 10INCH X STD) (6 BUNDLES 6 PCS) (NI 0.08) | 53.00 | 46,198 | 24,48,483 | PUC |
| 2011-12 | 20120104 | CHINA P RP | 73041990 | CARBON STEELSEAMLESSTUBES FULLY KILLEDASTMA106GRADE BOD: 21.3. MM X W.T : 4.76 | 53.00 | 60,602 | 32,11,886 | PUC |
| 2011-12 | 20120109 | CHINA P RP | 73043119 | NON ALLOY STEEL SEAMLESS PIPES API 5L GRADE B 73.0MMX9.53MM | 52.00 | 62,110 | 32,29,726 | PUC |
| 2011-12 | 20120118 | CHINA P RP | 73043119 | CARBON STEEL SEAMLESS PIPES (48.3X3.65X6600MM) | 52.00 | 33,613 | 17,47,892 | PUC |
| 2011-12 | 20111229 | CHINA P RP | 73043119 | SEAMLESS STEEL TUBE [PART NO.22075-01;22076-01;22077-01;11058-01;11087-01 &4401 | 51.38 | 66,614 | 34,22,347 | PUC |
| 2011-12 | 20120110 | CHINA P RP | 73043919 | CARBON STEEL SEAMLESS TUBES ASTM A 179 (SIZE 33.4 X 4 X 10000 - 11800) | 51.00 | 61,132 | 31,17,724 | PUC |
| 2011-12 | 20111230 | CHINA P RP | 73043939 | SEAMLESS PIPES API 5L ASTM A 106 GR.B (SIZE:OD 60MM , WT 12.5MM , LENGTH 1-5.8 | 51.00 | 54,206 | 27,64,487 | PUC |
| 2011-12 | 20111214 | CHINA P RP | 73043129 | HYDRAULIC CYLINDER TUBE # 156*130(FOR CAPTIVE CONSUMPTION) | 50.63 | 39,983 | 20,24,408 | PUC |
| 2011-12 | 20111230 | U K | 73042990 | 13-3/8 , 9-5/8 , 7 AND 5-1/2 REGULAR SIZE CASING PIPE5-1/2 17 PPF N-80 BUTT | 50.49 | 62,558 | 31,58,614 | PUC |
| 2011-12 | 20120116 | CHINA P RP | 73042990 | REGULAR SIZE CASING PIPES 7 , L-80, 26 PPF BTC, 113 PCS | 50.19 | 65,240 | 32,74,517 | PUC |
| 2011-12 | 20111121 | DJIBOUTI | 73042990 | OLD & USED CARBON STEEL PIPES | 50.00 | 28,310 | 14,15,515 | PUC |
| 2011-12 | 20120106 | CHINA P RP | 73043119 | COLD DRAWN CARBON STEEL SEAMLESS PIPE ASTM A179 SIZE OD 33.4 MM X THK 3.4MM X | 50.00 | 63,907 | 31,95,360 | PUC |
| 2011-12 | 20120118 | CHINA P RP | 73043929 | CARBON SEAMLESS STEEL PIPE (SIZE:0.75NB X S160) (1 BUNDLES)(NI 0.09) | 50.00 | 48,334 | 24,16,714 | PUC |
| 2011-12 | 20120105 | CHINA P RP | 73049000 | SEAMLESS STEEL TUBE FOR | 49.72 | 69,225 | 34,41,867 | PUC |
| 2011-12 | 20120109 | GERMANY | 73042990 | SECONDARY CARBON STEEL SEAMLESS PIPES | 49.00 | 35,370 | 17,33,107 | PUC |
| 2011-12 | 20120110 | CHINA P RP | 73043939 | SEAMLESS PIPES API 5L ASTM 1 106 GR B (OD 60MM , WT 12.5MM, LENGTH 1-5.8 M) | 49.00 | 54,738 | 26,82,183 | PUC |
| 2011-12 | 20111228 | CHINA P RP | 73049000 | SECONDARY/ DEFECTIVE CARBON STEEL SEAMLESS PIPE | 49.00 | 29,918 | 14,65,979 | PUC |
| 2011-12 | 20120104 | CHINA P RP | 73041110 | CS SEAMLESS TUBE SA-179. 25.40 OD X 2.8 TK X 3000 LG | 47.63 | 74,021 | 35,25,380 | PUC |
| 2011-12 | 20120114 | CHINA P RP | 73049000 | CARBON STEEL SEAMLESS TUBES GRADE A106 | 46.69 | 39,405 | 18,39,938 | PUC |
| 2011-12 | 20120104 | CHINA P RP | 73045910 | CARBON STEEL SEAMLESS STEEL TUBE ASTM A 106/API 5L GR.B 60.3X5.54X8.10M | 46.68 | 54,848 | 25,60,391 | PUC |
| 2011-12 | 20120118 | GERMANY | 73042990 | SECONDARY CARBON STEEL SEAMLESS PIPES | 46.00 | 35,340 | 16,25,620 | PUC |
| 2011-12 | 20111224 | GERMANY | 73049000 | SECONDARY DEFECTIVE CARBON STEEL SEAMLESS PIPE | 46.00 | 30,313 | 13,94,415 | PUC |
| 2011-12 | 20120114 | JAPAN | 73049000 | ALLOY STEEL SEAMLESS STEEL TUBES O.D. 47.55MM X W/TH. 5.30MM | 45.74 | 2,45,387 | 1,12,22,808 | PUC |
| 2011-12 | 20120110 | CHINA P RP | 73045110 | BEARING QUALITY STEEL TUBE SUJ-3 (TMB6002IR) SIZE 21 X 3.3MM | 45.30 | 93,855 | 42,52,024 | PUC |
| 2011-12 | 20120125 | CHINA P RP | 73041910 | COLD DRAWN SEAMLESS STEE | 42.00 | 63,286 | 26,58,016 | PUC |

**Import Data from DGCIS [All Countries PUC]
Apr 2009 to Jun 2012**

| Year | Date | Country | ITC-HS | Item-Des | Quantity (MT) | Price (Rs./MT) | Value (Rs) | PUC/ NPUC |
|---------|----------|-------------|----------|---|---------------|----------------|------------|--------------|
| 2011-12 | 20111224 | CHINA P RP | 73049000 | CARBON STEEL SEAMLESS PIPES (GRADE ASTM A106) | 42.00 | 56,015 | 23,52,611 | PUC |
| 2011-12 | 20120118 | CHINA P RP | 73043129 | HYDRAULIC CYLINDER TUBE 156*130(FOR CAPTIVE CONSUMPTION) | 41.14 | 49,759 | 20,46,959 | PUC |
| 2011-12 | 20120113 | JAPAN | 73043911 | SEAMLESS TUBULARS (API 5L GRADE X52 PSL2) SIZE: 12 DIA | 41.00 | 1,20,713 | 49,49,222 | PUC |
| 2011-12 | 20120102 | CHINA P RP | 73049000 | CARBON STEEL SEAMLESS PIPES 88.90 X 7.62MM | 40.71 | 53,705 | 21,86,053 | PUC |
| 2011-12 | 20111230 | CHINA P RP | 73045110 | BEARING QUALITY STEEL TUBE SAE 52100 (AU1107 OR) SIZE 68.25X 55.42 MM | 40.51 | 72,445 | 29,34,658 | PUC |
| 2011-12 | 20120109 | GERMANY | 73043911 | 73043911 SEAMLESS CARBON STEEL PIPES TO SPEC (SA106) | 40.00 | 1,64,257 | 65,70,268 | PUC |
| 2011-12 | 20120102 | CHINA P RP | 73043919 | SEAMLESS CARBON STEEL PIPE (OD127.00+/-0.33MM * WT8.50+/-10%MM) | 40.00 | 64,645 | 25,85,815 | PUC |
| 2011-12 | 20120105 | CHINA P RP | 73045110 | BEARING QUALITY STEEL TUBE SAE 52100 (BB1103 IR) SIZE 46.75X 34.75 MM | 39.90 | 67,108 | 26,77,550 | PUC |
| 2011-12 | 20120109 | ITALY | 73049000 | COLD DRAWN SEAMLESS STEEL TUBES-150.50X7.75 E355+SR 4000,-5800 | 39.85 | 1,06,516 | 42,44,390 | PUC |
| 2011-12 | 20120103 | CHINA P RP | 73041910 | SEAMLESS STEEL PIPE E355(103.5 * 76.5 * 1406) | 39.69 | 62,307 | 24,72,718 | PUC |
| 2011-12 | 20120103 | CHINA P RP | 73041910 | SEAMLESS STEEL PIPE E355 (103.5 * 76.5 * 1406) | 39.02 | 62,346 | 24,32,988 | PUC |
| 2011-12 | 20120105 | GERMANY | 73043911 | SEAMLESS TUBULARS (API 5L GRADE X52 PSL2) DIA .16 | 39.00 | 1,53,546 | 59,88,300 | PUC |
| 2011-12 | 20120116 | CHINA P RP | 73049000 | SEAMLESS CARBON STEEL PIPE API SPEC 5L B PSL1/ASTM A106B219.1MM X 8.18MM | 39.00 | 52,470 | 20,46,321 | PUC |
| 2011-12 | 20111231 | CHINA P RP | 73043129 | HYDRAULIC CYLINDER TUBE (SIZE: 180 X 150 MM) | 38.04 | 32,617 | 12,40,746 | PUC |
| 2011-12 | 20111226 | U S A | 73042390 | TUBING 5 X 5 X 1/4 X 19 FT LG | 38.00 | 33,959 | 12,90,435 | PUC |
| 2011-12 | 20120117 | CHINA P RP | 73043119 | SEAMLESS COLD DRAWN TUBES GRADE: SAE 52100 SIZES 35.75 X 5.15 MM [C 1.00 SI 0.3 | 38.00 | 77,590 | 29,48,401 | PUC |
| 2011-12 | 20120107 | ITALY | 73043121 | SEAMLESS COLD DRAWN CUT TUBES (USED FOR HYDRAULIC CYLINDER COMPONENT CYLINDER) | 36.17 | 1,21,582 | 43,97,030 | PUC |
| 2011-12 | 20120112 | U S A | 73049000 | OILWELL EQUIPMENT: PIPE DRILL 3 1/2 INCH , 13.3 LB/FT, EU, S135, NC38, 18?? SHO | 35.62 | 2,46,333 | 87,75,045 | PUC |
| 2011-12 | 20120123 | CHINA P RP | 73041990 | CARBON STEEL SEAMLESS MOTHER PIPE ASTM A 106 GR B (SIZE = 27 X 3 X 10500-11800 | 32.30 | 49,523 | 15,99,537 | PUC |
| 2011-12 | 20120116 | U S A | 73049000 | CARBON STEEL SEAMLESS PIPES (SA106) | 32.15 | 1,31,082 | 42,14,679 | PUC |
| 2011-12 | 20120120 | GERMANY | 73043119 | PRECISION STEEL TUBES,SEAMLESS,COLD DRAWN (OUT.DIAM.244,480*INS.DIAM.228,600 MM | 32.02 | 1,10,008 | 35,22,047 | PUC |
| 2011-12 | 20120117 | GERMANY | 73049000 | SMLS API 5L GR. X 65 PIPE-6 THICKNESS 10.97 MM | 32.00 | 80,788 | 25,85,222 | PUC |
| 2011-12 | 20120119 | CHINA P RP | 73045110 | STEEL TUBE DIA 4.76*0.55MM WITH ZINC COATED (PART FOR REFRIGRATOR) (CAPTIVE | 31.42 | 82,965 | 26,06,588 | PUC |
| 2011-12 | 20120103 | JAPAN | 73049000 | ALLOY STEEL SEAMLESS STEEL TUBES O.D 54.55MM X W/TH 5.30MM | 30.97 | 2,46,057 | 76,19,767 | PUC |
| 2011-12 | 20111216 | CHINA P RP | 73043129 | STEEL TUBE 137MM*6.5MM(FOR CAPTIVE CONSUMPTION) | 30.07 | 54,037 | 16,24,944 | PUC |
| 2011-12 | 20111209 | MOZAMBIQUE | 73042990 | CARBON STEEL PIPES | 30.00 | 37,340 | 11,20,206 | PUC |
| 2011-12 | 20120116 | CONGO P REP | 73049000 | SECONDARY CARBON STEEL SEAMLESS PIPE | 30.00 | 30,013 | 9,00,404 | PUC |
| 2011-12 | 20111229 | CHINA P RP | 73043129 | HYDRAULIC CYLINDER TUBE 140*125(FOR CAPTIVE CONSUMPTION) | 28.29 | 67,268 | 19,03,091 | PUC |
| 2011-12 | 20111228 | CHINA P RP | 73043919 | SEAMLESS STEEL TUBE, ST35, GBK (SIZE:O.D 15.90MM +/-0.10 XW.T 1.60MM X +/-0.10 | 28.00 | 86,285 | 24,15,983 | PUC |
| 2011-12 | 20120120 | CHINA P RP | 73043129 | HORN STEEL TUBES (140X120X1076MM) | 28.00 | 82,503 | 23,10,071 | PUC |
| 2011-12 | 20120106 | CHINA P RP | 73043919 | SEAMLESS STEEL TUBE, ST 35, GBK (SIZE:O.D 15.90MM+/-0.10XW.T 1.60MM+/-0.10X120 | 27.00 | 88,452 | 23,88,191 | PUC |
| 2011-12 | 20120105 | CHINA P RP | 73049000 | (20) 30.00 MMX7.00 SEAMLESS STEEL TUBES BK LENGTH 5 TO 5.8 METER | 27.00 | 61,185 | 16,52,006 | PUC |
| 2011-12 | 20120104 | CHINA P RP | 73043119 | NON ALLOY STEEL SEAMLESS PIPES API 5L GRADE B 114.3MMX8.56MM | 27.00 | 60,258 | 16,26,976 | PUC |
| 2011-12 | 20120103 | CHINA P RP | 73041910 | SEAMLESS STEEL PIPES ASTM A 106GRB (95 X 20) | 27.00 | 43,151 | 11,65,069 | PUC |
| 2011-12 | 20120117 | CHINA P RP | 73045110 | COLD DRAWN READY TO HONE PRECISION TUBE (90X105) | 26.77 | 46,668 | 12,49,353 | PUC |
| 2011-12 | 20120102 | U ARAB EMTS | 73049000 | SECONDARY SECOND CHOICE CARBON STEEL SEAMLESS PIPE | 26.00 | 29,947 | 7,78,614 | PUC |
| 2011-12 | 20120117 | CHINA P RP | 73069090 | SEAMLESS STEEL TUBES - [BEARING QUALITY]- 6301R [SIZE 20.4 X 4.8 MM] | 26.00 | 93,596 | 24,33,495 | PUC |
| 2011-12 | 20120105 | CHINA P RP | 73049000 | CARBON STEEL SEAMLESS PIPES AS PER ASTM A106 GR.B/API5L/A53GR.B | 26.00 | 50,002 | 13,00,049 | PUC |
| 2011-12 | 20111230 | CHINA P RP | 73041910 | SEAMLESS STEEL TUBE SIZE 37.5 X 11.5MM | 26.00 | 48,965 | 12,73,096 | PUC |
| 2011-12 | 20120112 | CHINA P RP | 73049000 | SECONDARY SEAMLESS CARBON STEEL PIPES | 26.00 | 41,981 | 10,91,511 | PUC |
| 2011-12 | 20120105 | CHINA P RP | 73049000 | COLD DRAWN SEAMLESS STEEL PIPE AS PER ASTM A106/A53/API 5L GR.B | 26.00 | 39,450 | 10,25,712 | PUC |

**Import Data from DGCIS [All Countries PUC]
Apr 2009 to Jun 2012**

| Year | Date | Country | ITC-HS | Item-Des | Quantity (MT) | Price (Rs./MT) | Value (Rs) | PUC/ NPUC |
|---------|----------|-------------|----------|---|---------------|----------------|------------|--------------|
| 2011-12 | 20120105 | CHINA P RP | 73049000 | CARBON STEEL SEAMLESS PIPE GR.ASTM A106 B | 26.00 | 37,633 | 9,78,465 | PUC |
| 2011-12 | 20111216 | CHINA P RP | 73043129 | STEEL TUBE 112MM*6.5MM(FOR CAPTIVE CONSUMPTION) | 25.73 | 64,765 | 16,66,495 | PUC |
| 2011-12 | 20120107 | CHINA P RP | 73045910 | CARBONSTEELSEAMLESSMOTHERPIPES(HOT FINISH) SA106,GRBOD-48,26MM,W.T-5.8MM.LENGT | 25.25 | 57,725 | 14,57,393 | PUC |
| 2011-12 | 20120116 | JAPAN | 73049000 | SECONDARY SEAMLESS CARBON STEEL PIPES | 25.00 | 43,299 | 10,82,470 | PUC |
| 2011-12 | 20120123 | CHINA P RP | 73049000 | SEAMLESS CARBON STEEL PIPES SIZE 40.3 MM X 5.4 MM X 3500 MM | 25.00 | 54,479 | 13,61,971 | PUC |
| 2011-12 | 20120123 | CHINA P RP | 73049000 | CARBON STEEL SEAMLESS PIPE | 25.00 | 51,789 | 12,94,732 | PUC |
| 2011-12 | 20120111 | CHINA P RP | 73043119 | CARBON STEEL SEAMLESS TUBE GRADE B 60.3*5.54*5800MM | 25.00 | 44,996 | 11,24,906 | PUC |
| 2011-12 | 20120109 | CHINA P RP | 73049000 | CARBON STEEL SEAMLESS PIPES ACCORDING TO ASTM A106/API 5L/A53 GR.B | 25.00 | 41,854 | 10,46,341 | PUC |
| 2011-12 | 20111231 | CHINA P RP | 73049000 | SECONDARY CARBON STEEL SEAMLESS PIPES MIXED LENGTHS | 25.00 | 32,447 | 8,11,174 | PUC |
| 2011-12 | 20120120 | CHINA P RP | 73045110 | SEAMLESS STEEL TUBE, SPHEROIDISED ANNEALED COLD ROLLED SAE 52100-DIA-55X35X10 | 24.84 | 1,00,270 | 24,90,501 | PUC |
| 2011-12 | 20120110 | GERMANY | 73049000 | PIPE CS SMLS.24 SCH 100.API 5L/A106/A53/GRB/X42..12MTR/DRL.BE.(8.95 MTR) | 24.58 | 1,76,269 | 43,31,996 | PUC |
| 2011-12 | 20120104 | ITALY | 73049000 | SECONDARY CARBON STEEL SEAMLESS PIPE MIX SIZE | 24.00 | 42,728 | 10,25,483 | PUC |
| 2011-12 | 20111229 | FRANCE | 73049000 | SECONDARY CARBON STEEL SEAMLESS PIPES | 24.00 | 36,195 | 8,68,688 | PUC |
| 2011-12 | 20111229 | SAUDI ARAB | 73049000 | SECONDARY CARBON STEEL SEAMLESS PIPES | 24.00 | 35,524 | 8,52,575 | PUC |
| 2011-12 | 20111202 | U K | 73041910 | SECONDARY CARBON STEEL SEAMLESS TUBES | 24.00 | 29,026 | 6,96,634 | PUC |
| 2011-12 | 20111229 | CHINA P RP | 73043929 | CARBON SEAMLESS STEEL PIPE (SIZE:6NB X SCH40) (6 PCS) (Ni0.12) | 24.00 | 51,325 | 12,31,810 | PUC |
| 2011-12 | 20111208 | CHINA P RP | 73042990 | PUP JOINT OD:6-5/8 PPF 20BTC, GRADE-J55(2 MTRS LENGTH) (CASINGS AND PUP JOINTS) | 23.57 | 97,764 | 23,04,004 | PUC |
| 2011-12 | 20120103 | CHINA P RP | 73043129 | HYDRAULIC CYLINDER TUBE 140*125(FOR CAPTIVE CONSUMPTION) | 23.56 | 84,273 | 19,85,454 | PUC |
| 2011-12 | 20120114 | SWITZERLAND | 73049000 | SEMI PROFILE KBK I-4587 MTR | 23.47 | 80,069 | 18,79,218 | PUC |
| 2011-12 | 20120110 | CHINA P RP | 73041990 | BEARING QUALITY STEEL TUBE 42.*7.0 (1 BUNDLE) | 23.27 | 76,702 | 17,84,691 | PUC |
| 2011-12 | 20120118 | ITALY | 73049000 | SEAMLESS CARBON STEEL PIPES | 23.00 | 37,877 | 8,71,169 | PUC |
| 2011-12 | 20120107 | CHINA P RP | 73043919 | SEAMLESS STEEL TUBE (EN10305-1(E-235+C)(SIZE: OD36.0 MM X THK4.00 MM X L 2.9-3. | 23.00 | 64,711 | 14,88,361 | PUC |
| 2011-12 | 20120117 | CHINA P RP | 73041910 | NEWLY MANUFACTURED SEAMLESS STEEL PIPES ASTM A106GR B/API 5LGR B/ASTMA53 GR(SI | 23.00 | 44,112 | 10,14,575 | PUC |
| 2011-12 | 20120111 | CHINA P RP | 73049000 | CARBON STEEL SEAMLESS PIPES | 23.00 | 38,430 | 8,83,890 | PUC |
| 2011-12 | 20111229 | CHINA P RP | 73049000 | SECONDARY WLLDED PIPES | 23.00 | 37,866 | 8,70,909 | PUC |
| 2011-12 | 20120117 | CHINA P RP | 73042390 | DRILL ROD(DRILLING EQUIPMENT PARTS) 72 PCS | 22.49 | 1,24,649 | 28,03,106 | PUC |
| 2011-12 | 20110804 | OMAN | 73043911 | OLD AND USED CARBON STEEL SEAMLESS PIPES10.07.2011 [MPCB NO.GPCB/HAZ-R-OHV-42/7 | 22.39 | 25,540 | 5,71,832 | PUC |
| 2011-12 | 20111226 | CHINA P RP | 73041910 | SEAMLESS STEEL TUBE SIZE 37.5X11.5MM | 22.11 | 52,232 | 11,55,054 | PUC |
| 2011-12 | 20120106 | JAPAN | 73041110 | SEAMLESS PIPES (SIZE: 50.8M X 3.5MM X 6M) (15 BUNDLES=915 PCS=NET WT:22.418 MT | 22.00 | 1,22,089 | 26,85,957 | PUC |
| 2011-12 | 20120112 | GERMANY | 73043129 | SEAMLESS CDS STEEL TUBE (134.2XID114.5) | 22.00 | 85,794 | 18,87,469 | PUC |
| 2011-12 | 20120106 | CHINA P RP | 73049000 | ALLOY STEEL SEAMLESS TUBE 15CRMO (12.9 X 7.0) | 21.96 | 99,231 | 21,79,322 | PUC |
| 2011-12 | 20111222 | U ARAB EMTS | 73049000 | CARBON STEEL PIPE (SECONDARY DEFECTIVE) SEAMLESS | 21.00 | 36,601 | 7,68,621 | PUC |
| 2011-12 | 20120110 | CHINA P RP | 73049000 | STEEL TUBES19.7MM X 14.5MM | 21.00 | 1,33,455 | 28,02,548 | PUC |
| 2011-12 | 20111224 | CHINA P RP | 73043919 | SEMALESS STEEL PIPES C45-BKS (OD 22XID 15.25X4500 MM) | 21.00 | 67,218 | 14,11,568 | PUC |
| 2011-12 | 20120111 | CHINA P RP | 73049000 | CARBON STEEL SEAMLESS PIPES | 21.00 | 37,595 | 7,89,496 | PUC |
| 2011-12 | 20120113 | U S A | 73049000 | INCO SEAMLESS PIPE (SECONDS - AS MILL TEST CERTIFICATE NOT AVAILABLE) | 20.00 | 4,38,830 | 87,76,601 | PUC |
| 2011-12 | 20110816 | OMAN | 73043911 | OLD AND USED CARBON STEEL SEAMLESS PIPES.7.2011 MPCB NO.GBCB/HAZ-R-BHV-42/79050 | 20.00 | 1,56,875 | 31,37,495 | PUC |
| 2011-12 | 20120130 | SPAIN | 98010013 | 98010013 CARBON STEEL TUBES TO SPEC (SA210) | 20.00 | 1,12,896 | 22,57,922 | PUC |
| 2011-12 | 20111230 | CHINA P RP | 73045110 | BEARING QUALITY STEEL TUBE SAE-52100 (6200 IR) SIZE 17.8 X 4.1MM | 19.76 | 75,560 | 14,92,759 | PUC |
| 2011-12 | 20120103 | CHINA P RP | 73043129 | HYDRAULIC CYLINDER TUBE 160*180(FOR CAPTIVE CONSUMPTION) | 19.57 | 91,591 | 17,91,969 | PUC |
| 2011-12 | 20111229 | CHINA P RP | 73043139 | HONED TUBES/SKIVED & BERNISHED TUBE C20/P20 BK +S CONDITIONID-150 X OD-170 | 19.55 | 62,819 | 12,27,789 | PUC |

Import Data from DGCIS [All Countries PUC]

Apr 2009 to Jun 2012

| Year | Date | Country | ITC-HS | Item-Des | Quantity (MT) | Price (Rs./MT) | Value (Rs) | PUC/ NPUC |
|---------|----------|-------------|----------|---|---------------|----------------|------------|--------------|
| 2011-12 | 20111231 | CHINA P RP | 73043129 | HYDRAULIC CYLINDER TUBE 70*82(FOR CAPTIVE CONSUMPTION) | 19.43 | 90,473 | 17,57,523 | PUC |
| 2011-12 | 20120120 | SPAIN | 73043129 | SEAMLESS STEEL TUBE MW450KV DIA-233/191X1605 MM-64.20 MTR | 19.00 | 79,447 | 15,09,490 | PUC |
| 2011-12 | 20120117 | CHINA P RP | 73069090 | SEAMLESS STEEL TUBES - [BEARING QUALITY]- 63010R [SIZE 37.9 X 4.7 MM] | 19.00 | 88,195 | 16,75,698 | PUC |
| 2011-12 | 20120112 | CHINA P RP | 73041990 | CS SEAMLESS TUBE 305MM OD X 9.5MM THICKNESS(ASTM A 106 GRADE B) | 19.00 | 69,377 | 13,18,161 | PUC |
| 2011-12 | 20120119 | CHINA P RP | 73041910 | SEAMLESS CARBON STEEL PIPES 36X6MM | 19.00 | 56,962 | 10,82,285 | PUC |
| 2011-12 | 20111021 | SAUDI ARAB | 73049000 | SECONDARY SECOND CARBON STEEL SEAMLESS/WELDED PIPES MIXED THICKNESS MIXED LOT (| 18.49 | 25,480 | 4,71,130 | PUC |
| 2011-12 | 20120124 | KOREA RP | 73043119 | SEAMLESS CD BARS GRADE: SAE 52100 SIZES 19.70 MM [C 1.10 SI 0.35 MN 0.50 CR 1. | 18.00 | 77,448 | 13,94,057 | PUC |
| 2011-12 | 20111209 | UNSPECIFIED | 73042390 | 3-1/2 OD DRILL PIPES (SPARES FOR RIG KEDARNATH) | 17.89 | 3,56,674 | 63,81,603 | PUC |
| 2011-12 | 20120103 | CHINA P RP | 73042400 | SEAMLESS STEEL PIPES 73MMODX7MM THICK 3.60 MTR LENGTH | 17.00 | 49,100 | 8,34,705 | PUC |
| 2011-12 | 20120123 | CHINA P RP | 73041990 | CARBON STEEL SEAMLESS MOTHER PIPE ASTM A 106 GR B (SIZE = 27 X 3 X 10500-11800 | 16.99 | 49,522 | 8,41,427 | PUC |
| 2011-12 | 20120118 | GERMANY | 73043911 | SEAMLESS TUBULARS (API 5L GRADE X52 PSL2) 8 DIA | 16.00 | 1,15,530 | 18,48,477 | PUC |
| 2011-12 | 20120111 | OMAN | 73069090 | SECONDARY & DEFECTIVE PIPES | 16.00 | 27,867 | 4,45,870 | PUC |
| 2011-12 | 20120111 | CHINA P RP | 73043139 | CDS TUBE (OD 234 X ID 207X5550 MM) QTY 66.60 METER | 15.98 | 1,01,432 | 16,20,981 | PUC |
| 2011-12 | 20120103 | CHINA P RP | 73043129 | HYDRAULIC CYLINDER TUBE 93*80(FOR CAPTIVE CONSUMPTION) | 15.45 | 1,23,589 | 19,09,700 | PUC |
| 2011-12 | 20120113 | CHINA P RP | 73043911 | SEAMLESS TUBULARS (X52 N PSL2 A/333 GRADE 6) 14 DIA | 15.00 | 1,73,128 | 25,96,921 | PUC |
| 2011-12 | 20120120 | CHINA P RP | 73043919 | HORN STEEL TUBES (113X100X5658MM) | 15.00 | 83,645 | 12,54,676 | PUC |
| 2011-12 | 20111229 | U K | 73042990 | SUPPLY OF 13-3/8 , 9-5/8 , 7 & 5-1/2 REGULAR SIZE CASINGPIPES 13-3/8 J-55 61 | 13.78 | 76,266 | 10,50,753 | PUC |
| 2011-12 | 20120123 | CHINA P RP | 73043129 | HONED TUBE-H8 TOLERANCE (63X76MM) | 13.14 | 93,378 | 12,26,947 | PUC |
| 2011-12 | 20120103 | CHINA P RP | 73043119 | DRILL TUBE TYPE 25 62.00MM X 48 MM (1 PCS) | 11.90 | 27,442 | 3,26,563 | PUC |
| 2011-12 | 20120117 | CHINA P RP | 73045120 | COLD DRAWN READY TO HONE PRECISION TUBE (160X190) | 11.66 | 76,136 | 8,87,490 | PUC |
| 2011-12 | 20120112 | GERMANY | 73043911 | CS NACE SEAMLESS PIPE ASTM A106 B SIZE: 16 (30.25 MTRS) | 11.55 | 1,24,324 | 14,35,939 | PUC |
| 2011-12 | 20111209 | CHINA P RP | 73043119 | CDS READY TO HONE TUBE (OD 116 X ID 100 X L) QTY 218.5 METER | 10.66 | 95,515 | 10,18,097 | PUC |
| 2011-12 | 20111209 | CHINA P RP | 73043129 | CDS READY TO HONE TUBE (OD 136 X ID 120 X L) QTY 140.2 METER | 10.63 | 93,133 | 9,90,005 | PUC |
| 2011-12 | 20120123 | GERMANY | 98010013 | HOT FINISHED SEAMLESS STEEL PIPES ASME SA 106,GR.C,OD 610MMXWT105 MM X F/L 3800 | 10.00 | 2,25,769 | 22,57,692 | PUC |
| 2011-12 | 20120117 | GERMANY | 73042390 | TUBING 5 X 9 X 1/4 X 1 FT LG | 10.00 | 1,50,243 | 15,02,428 | PUC |
| 2011-12 | 20120117 | CHINA P RP | 73045110 | COLD DRAWN READY TO HONE PRECISION TUBE (70X85) | 9.08 | 1,20,809 | 10,96,565 | PUC |
| 2011-12 | 20120111 | CHINA P RP | 73045110 | BEARING QUALITY STEEL TUBE SAE52100 SIZE : 42.7 MM X 6.3 MM | 8.53 | 73,485 | 6,27,048 | PUC |
| 2011-12 | 20111231 | CHINA P RP | 73043129 | HYDRAULIC CYLINDER TUBE 115*135(FOR CAPTIVE CONSUMPTION) | 8.11 | 90,468 | 7,33,875 | PUC |
| 2011-12 | 20120116 | MALAYSIA | 73049000 | CARBON STEEL SEAMLESS PIPES CONFIRMING TO SPECIFICATION AS PER ASTM A 106/API 5 | 8.00 | 46,643 | 3,73,140 | PUC |
| 2011-12 | 20120121 | CHINA P RP | 73049000 | ROUND STEEL SHEET(50 MN2V)(2000 DIA X7.5 THIC.X25.4BORE HOLE,MM)(C 0.47-0.57%, | 7.30 | 1,44,008 | 10,51,261 | PUC |
| 2011-12 | 20120111 | CHINA P RP | 73043129 | CDS TUBE (OD 212 X ID 160X3100 MM) QTY 31.00 METER | 6.47 | 1,00,378 | 6,49,045 | PUC |
| 2011-12 | 20111208 | CHINA P RP | 73043919 | TUBE (HONING) 125*140 (HYDRAULIC CYLINDER TUBE)(FOR CAPTIVE CONSUMPTION) | 5.98 | 90,360 | 5,40,518 | PUC |
| 2011-12 | 20120123 | THAILAND | 73069090 | CARBON STEEL PIPE - 9 X 0.6 X 2200 MM | 5.47 | 1,75,784 | 9,61,684 | PUC |
| 2011-12 | 20111208 | TAIWAN | 73042910 | METAL PIPE H/R 35.5*3.0*780 | 5.29 | 56,319 | 2,97,761 | PUC |
| 2011-12 | 20120119 | CHINA P RP | 73049000 | SUJ2 SEAMLESS COLD FROMED STEEL TUBES 48 X 5.5 X 3000-5800 MM | 5.00 | 1,31,436 | 6,57,180 | PUC |
| 2011-12 | 20120118 | JAPAN | 73041110 | CARBON STEEL TUBES STKM13A 190.7X6.0X1470MM | 4.82 | 4,07,955 | 19,67,426 | PUC |
| 2011-12 | 20120105 | AUSTRIA | 73042990 | A2V00370002142 RO DIN STEEL TUBES 2448-60,3X16-ST5.20 | 4.20 | 1,30,196 | 5,46,825 | PUC |
| 2011-12 | 20111227 | CHINA P RP | 73043129 | CYLINDER TUBE 140*125(FOR CAPTIVE CONSUMPTION) | 4.19 | 92,259 | 3,86,768 | PUC |
| 2011-12 | 20120117 | ITALY | 73043911 | SEAMLESS TUBULAR (GR.L360/X52 N PSL2, GR.6 A/SA 333) SIZE :12 DIA | 4.00 | 1,85,918 | 7,43,672 | PUC |
| 2011-12 | 20120110 | ROMANIA | 73043911 | SEAMLESS TUBULARS (API 5L GRADE X52 PSL-2) 10 DIA | 4.00 | 85,599 | 3,42,395 | PUC |
| 2011-12 | 20111231 | CHINA P RP | 73043119 | HYDRAULIC CYLINDER TUBE (SIZE: 83 X 70 MM) | 3.89 | 64,548 | 2,51,008 | PUC |

**Import Data from DGCIS [All Countries PUC]
Apr 2009 to Jun 2012**

| Year | Date | Country | ITC-HS | Item-Des | Quantity (MT) | Price (Rs./MT) | Value (Rs) | PUC/ NPUC |
|---------|----------|----------------|----------|--|---------------|----------------|--------------|--------------|
| 2011-12 | 20111229 | CHINA P RP | 73042390 | EXTERNAL UPSETED DRILL PIPES GRADE E-75, CONFIRMING TO API 5D, ALLOY TOOL JOINT | 3.68 | 1,26,442 | 4,65,813 | PUC |
| 2011-12 | 20120117 | GERMANY | 73043119 | COLD DRAWN SEAMLESS HYDRAULIC AND PNEUMATIC LINE PIPES (ROUND 22X2X18 / COO:AUS | 2.93 | 2,08,236 | 6,09,885 | PUC |
| 2011-12 | 20120103 | CHINA P RP | 73043129 | RH368508 SEAMLESS STEEL TUBES ACCORDING TO EN EN 10297-1 E355K2 | 2.87 | 1,20,605 | 3,46,499 | PUC |
| 2011-12 | 20120118 | GERMANY | 73043139 | COLD DRAWN SEAMLESS CYLINDER TUBES - E355+SR EN 10305/1, INSIDE H8 - 220MM X 1 | 2.61 | 1,49,986 | 3,90,714 | PUC |
| 2011-12 | 20120118 | GERMANY | 73043129 | COLD DRAWN SEAMLESS CYLINDER TUBE E355 + SR EN 10305/1 - 140MM X 15 - USED IN H | 2.61 | 75,821 | 1,97,514 | PUC |
| 2011-12 | 20120117 | CHINA P RP | 73045120 | COLD DRAWN READY TO HONE PRECISION TUBE (120X140) | 2.47 | 81,722 | 2,01,811 | PUC |
| 2011-12 | 20120121 | CHINA P RP | 73045920 | ROUND STEEL SHEET(50 MN2V)(1510 DIA X7.5 THIC.X25.4BORE HOLE,MM)(C 0.47-0.57%,S | 2.11 | 1,29,336 | 2,72,640 | PUC |
| 2011-12 | 20120123 | FRANCE | 73042200 | GOODS BEING IMPORTED FOR PETROLEUM OPERATION OF ONGC : SEAMLESS PIPE OD 108 MM | 2.00 | 2,94,780 | 5,89,560 | PUC |
| 2011-12 | 20111224 | CHINA P RP | 73043919 | SEAMLESS STEEL PIPES C45-BKS (OD22XID 15.25X4500 MM) | 2.00 | 58,204 | 1,16,408 | PUC |
| 2011-12 | 20120116 | CHINA P RP | 73041990 | MELT PIPE (U/P USD930.00 X 1 PC) (VALUE FOR CUSTOMS PURPOSE) | 1.70 | 29,131 | 49,522 | PUC |
| 2011-12 | 20120124 | INDONESIA | 73042390 | DRILL PIPE 3, 1/2 G105 [10 PCS] | 1.60 | 1,01,533 | 1,62,453 | PUC |
| 2011-12 | 20120120 | SPAIN | 73043129 | SEAMLESS STEEL TUBE MW450KV DIA-233/191X1605 MM | 1.59 | 1,24,952 | 1,98,237 | PUC |
| 2011-12 | 20111229 | CHINA P RP | 73042390 | EXTERNAL UPSETED DRILL PIPES GRADE E-75, CONFIRMING TO API 5D, ALLOY TOOL JOINT | 1.52 | 1,26,443 | 1,91,687 | PUC |
| 2011-12 | 20111227 | CHINA P RP | 73041990 | SEAMLESS STEEL TUBE 2 , 3 | 1.31 | 90,568 | 1,18,554 | PUC |
| 2011-12 | 20120109 | CHINA P RP | 73043129 | NON ALLOY STEEL SEAMLESS PIPES API 5L GRADE B 219.1MMX18.26MM | 1.00 | 41,052 | 41,052 | PUC |
| 2011-12 | 20120106 | SWEDEN | 73044900 | DRILLPIPE 89X6.3X5M API 2 (52-089-10508619) (11 PCS) | 0.94 | 2,97,757 | 2,79,892 | PUC |
| 2011-12 | 20120110 | ITALY | 73043119 | HYDRAULIC CYLINDERS TUBE ACC TO EN 10305-1 STEEL HC 520 73.00 X 5.00 MM | 0.85 | 1,26,167 | 1,06,885 | PUC |
| 2011-12 | 20120112 | U S A | 73043939 | SEAMLESS STEEL TUBES/PIPES/GRADE MS/ SIZE 230MMX800 MM | 0.79 | 1,23,052 | 97,580 | PUC |
| 2011-12 | 20111116 | CHINA P RP | 73041190 | SEAMLESS STEEL TUBE(O.D6 MM X I.D1.5MM X 449MM) | 0.78 | 2,58,841 | 2,01,854 | PUC |
| 2011-12 | 20120109 | GERMANY | 73043129 | SEAMLESS HPL-PIPE EN 10305-4 28X2,0 E235+N BLACK (120 MTR) - AAB979 | 0.34 | 2,53,187 | 85,324 | PUC |
| 2011-12 | 20111229 | CHINA P RP | 73043911 | PIPE SEAMLESS ASTM A106 C IBR 4 THK HEAVY PLAIN END ASME B36.10M THICK 22.2 MM | 0.05 | 1,64,320 | 8,216 | PUC |
| 2011-12 | 20120111 | U S A | 73041990 | OILWELL EQUIPMENT: PIPE, STEEL LINE 3/4 IN SCH 80 SEAMLESS 21 FT SINGLE RANDOM | 0.04 | 2,53,167 | 10,633 | PUC |
| 2011-12 | 20120116 | U K | 73069090 | 3/4 SCH 40 SEAMLESS PIPE S31803/32205 | 0.02 | 12,10,223 | 28,587 | PUC |
| 2011-12 | 20120112 | GERMANY | 73041990 | SEAMLESS STEEL TUBES | 0.004 | 96,750 | 387 | PUC |
| 2011-12 | 20120119 | CHINA P RP | 73041910 | SEAMLESS CARBON STEEL PIPES 36X6MM | 0.001 | 1,12,000 | 112 | PUC |
| 2011-12 | 20120128 | CHINA P RP | 73041910 | PLAIN END SEAMLESS PIPES OF SIZE:9-5/8 OD (1785.095 MTS = 25489.20 MTRS (OR) 1 | 3,736.67 | 44,468 | 16,61,61,997 | PUC |
| 2011-12 | 20120113 | CHINA P RP | 73041910 | PLAIN END SEAMLESS PIPES OF SIZE : 9-5/8 OD {3632.24 MTS =55740.26 MTRS (OR) 4 | 3,632.24 | 51,568 | 18,73,09,142 | PUC |
| 2011-12 | 20120113 | CHINA P RP | 73041910 | PLAIN END SEAMLESS PIPES OF SIZE : 9-5/8 OD {1698.915 MTS =24128.84 MTRS (OR) | 1,698.92 | 51,569 | 8,76,11,557 | PUC |
| 2011-12 | 20120128 | CHINA P RP | 73041910 | PLAIN END SEAMLESS PIPES OF SIZE:9-5/8 OD (1488.395 MTS = 22805.67 MTRS (OR) 1 | 1,488.40 | 51,570 | 7,67,56,053 | PUC |
| 2011-12 | 20120128 | CHINA P RP | 73041910 | PLAIN END SEAMLESS PIPES OF SIZE:9-5/8 OD (1330.995 MTS = 16705.30 MTRS (OR) 1 | 1,331.00 | 52,209 | 6,94,89,883 | PUC |
| 2011-12 | 20120206 | CZECH REPUBLIC | 73049000 | CARBON STEEL SEAMLESS PIPES STOCK LOT (OD 21.30 TO OD 273.00MM) | 1,024.00 | 30,465 | 3,11,96,167 | PUC |
| 2011-12 | 20120130 | GERMANY | 73043939 | SUPPLY OF CS-NACE LINE PIPE (88.9 X 8.2 X 11700-12700 MM, 1411 PCS) (CLG AGAIN | 784.11 | 1,23,324 | 9,66,99,592 | PUC |
| 2011-12 | 20120217 | CHINA P RP | 73042990 | CASING PIPE 5-1/2 17 PPF N-80 BUTT(SUPPLY OF13-3/8 , 9-5/8 7 AND 5-1/2 REGULA | 659.81 | 35,323 | 2,33,06,096 | PUC |
| 2011-12 | 20120127 | CHINA P RP | 73043911 | SEAMLESS CARBON STEEL TUBES(TO SPEC SA 210)SIZE AS PER INVOICE | 648.00 | 77,316 | 5,01,00,534 | PUC |
| 2011-12 | 20120127 | CHINA P RP | 73042390 | SEAMLESS CARBON STEEL PIPE (API 5LX52 PSL2. SIZE 4 SCH80 114.3MM X 8.56 MM, LEN | 558.00 | 68,920 | 3,84,57,235 | PUC |
| 2011-12 | 20120201 | CHINA P RP | 73043911 | SEAMLESS CARBON STEEL TUBES TO SPEC SA210 (46008 MTRS @ USD11.49/MTR) | 508.00 | 74,078 | 3,76,31,864 | PUC |
| 2011-12 | 20120201 | CHINA P RP | 73043911 | SEAMLESS CARBON STEEL TUBES TO SPEC SA210 (14788.80 MTRS @USD 11.49/MTR) | 472.00 | 73,812 | 3,48,39,472 | PUC |
| 2011-12 | 20120209 | CHINA P RP | 73043119 | TUBES.GRADE SA210 GR.A1 OD 51MM WT 3.25MM T.L 9.425M [2285 PCS 21536.13 MTRS \$P | 452.29 | 61,975 | 2,80,30,880 | PUC |
| 2011-12 | 20120207 | CHINA P RP | 73042390 | DRILL PIPE 5 OD 50PPF HEAVY WEIGHT(SUPPLY OF HEAVY WEIGHT DRILL PIPES FOR PEL/ | 433.01 | 81,376 | 3,52,36,625 | PUC |
| 2011-12 | 20120207 | CHINA P RP | 73049000 | CARBON STEEL SEAMLESS PIPES ASTM A106 GR. B | 381.00 | 39,141 | 1,49,12,869 | PUC |
| 2011-12 | 20120215 | GERMANY | 73043911 | SEAMLESS CORBON STEEL TUBE SIZE AS PER INVOICE | 346.00 | 67,283 | 2,32,79,975 | PUC |

**Import Data from DGCIS [All Countries PUC]
Apr 2009 to Jun 2012**

| Year | Date | Country | ITC-HS | Item-Des | Quantity (MT) | Price (Rs./MT) | Value (Rs) | PUC/ NPUC |
|---------|----------|-------------|----------|---|---------------|----------------|-------------|--------------|
| 2011-12 | 20120215 | CHINA P RP | 73043911 | SEAMLESS CARBON STEEL TUBE SIZE AS PER INVOICE | 342.00 | 74,214 | 2,53,81,215 | PUC |
| 2011-12 | 20120201 | CHINA P RP | 73043119 | COLD DRAWN SEAMLESS CARBON STEEL TUBES ST 52.4 (SIZE : 45.0X 5.5 X8000-10000MM) | 339.87 | 55,220 | 1,87,67,400 | PUC |
| 2011-12 | 20120130 | U K | 73042990 | SUPPLY OF 13-3/8 , 9-5/8 , 7 & 5-1/2 REGULAR SIZE CASING PIPES, 3/8 , 68PPF N- | 303.05 | 63,464 | 1,92,32,528 | PUC |
| 2011-12 | 20120125 | CHINA P RP | 73043911 | SEAMLESS CARBON STEEL TUBES (TO SPEC SA 210) SIZE AS PER INVOICE | 276.00 | 77,072 | 2,12,71,747 | PUC |
| 2011-12 | 20120215 | CHINA P RP | 73042390 | DRILLING PIPES - TUBING 3 1/2 EUE CONNECTION X 9.3PPF X N80-1 R2 API 5 CT (DE | 276.00 | 61,222 | 1,68,97,375 | PUC |
| 2011-12 | 20120130 | THAILAND | 73049000 | TUBES OD168.3 X WT 14.2MM SA-106B/SA-530 | 259.13 | 88,068 | 2,28,20,809 | PUC |
| 2011-12 | 20120130 | CHINA P RP | 73042390 | 5.5 OD 21.90 DRILL PIPE [635 JOINTS] GOODS BEING IMPORTED FOR RETROLEUM OPERA | 250.04 | 2,92,225 | 7,30,67,415 | PUC |
| 2011-12 | 20120127 | CHINA P RP | 73043911 | SEAMLESS CARBON STEEL TUBES (TO SPEC SA 210) SIZE AS PER INVOICE | 230.00 | 76,979 | 1,77,05,156 | PUC |
| 2011-12 | 20120215 | CHINA P RP | 73042990 | 7 CASING API 5 CT 23 PPF BTC R-3, N-80Q [ECIN201202140007 DT.14/02/2012] | 229.74 | 87,336 | 2,00,64,714 | PUC |
| 2011-12 | 20120213 | CHINA P RP | 73049000 | CARBON STEEL SEAMLESS PIPES AS PER ASTM A106 GR.B/API 5L GR.B | 220.00 | 35,312 | 77,68,665 | PUC |
| 2011-12 | 20120210 | CHINA P RP | 73049000 | ROUND TUBE DIA 177.8 X 20 SEAMLESS 234 PCS | 219.00 | 53,255 | 1,16,62,808 | PUC |
| 2011-12 | 20120201 | CHINA P RP | 73043911 | SEAMLESS CARBON STEEL TUBES TO SPEC SA210 (18302.40 MTRS @ USD 11.49/MTR) | 194.00 | 74,674 | 1,44,86,739 | PUC |
| 2011-12 | 20120207 | CHINA P RP | 73043119 | CARBON STEEL SEAMLESS PIPES (168X7.11X5800MM) | 194.00 | 38,224 | 74,15,525 | PUC |
| 2011-12 | 20120207 | CHINA P RP | 73049000 | CARBON STEEL SEAMLESS PIPES A106 GR B | 172.00 | 36,304 | 62,44,290 | PUC |
| 2011-12 | 20120202 | CHINA P RP | 73043939 | CARBON SEAMLESS STEEL PIPE AS PER ASTM A 106 GR.B/API5L GR B96X9 | 167.00 | 48,933 | 81,71,800 | PUC |
| 2011-12 | 20120207 | CHINA P RP | 73043119 | COLD DRAWN SEAMLESS STEEL TUBES 50MM OD X 38MM ID X 5M | 166.00 | 67,809 | 1,12,56,350 | PUC |
| 2011-12 | 20120127 | CHINA P RP | 73049000 | CARBON STEEL SEAMLESS PIPES AS PER ASTM A106 GRADE-B | 166.00 | 42,519 | 70,58,120 | PUC |
| 2011-12 | 20120202 | ITALY | 73049000 | COLD DRAWN SEAMLESS STEEL TUBE 130,50 X7,75 E355 +SR4000-5800 | 161.11 | 1,12,057 | 1,80,54,003 | PUC |
| 2011-12 | 20120215 | CHINA P RP | 73043911 | SEAMLESS CARBON STEEL TUBE SIZE AS PER INVOICE | 155.00 | 73,312 | 1,13,63,289 | PUC |
| 2011-12 | 20120206 | CHINA P RP | 73049000 | CARBON STEEL SEAMLESS PIPE AS PER ASTM A106 219.1 X 8.18 X 5000-7000 | 150.38 | 48,888 | 73,51,783 | PUC |
| 2011-12 | 20120214 | CHINA P RP | 73043929 | CARBON SEAMLESS STEEL PIPE (8NB X 11MM) (10 PCS) (NI 0.08) | 145.00 | 44,161 | 64,03,276 | PUC |
| 2011-12 | 20120201 | CHINA P RP | 73041990 | HOT FINISHED CARBON STEEL SEAMLESS MOTHER PIPES, GRADE ST35.08, SPECIFICATION = | 143.21 | 47,439 | 67,93,834 | PUC |
| 2011-12 | 20120204 | CHINA P RP | 73045110 | BEARING QUALITY STEEL TUBE SAE-52100 (63/22SPL IR) SIZE 33.8 X 6.7MM | 139.73 | 66,962 | 93,56,574 | PUC |
| 2011-12 | 20120215 | CHINA P RP | 73043911 | SEAMLESS CARBON STEEL TUBE SIZE AS PER INVOICE | 128.00 | 69,666 | 89,17,212 | PUC |
| 2011-12 | 20120204 | SWEDEN | 73045110 | SECONDARY AND DEFECTIVE SEAMLESS STEEL TUBES (ALLOY STEEL) GRADE: 100 CR6 SIZE: | 125.93 | 34,747 | 43,75,639 | PUC |
| 2011-12 | 20120222 | CHINA P RP | 73042400 | CARBON STEEL SEAMLESS PIPES (219.1MM X 6.4MM) | 125.41 | 53,066 | 66,54,739 | PUC |
| 2011-12 | 20120116 | CHINA P RP | 73049000 | CARBON STEEL SEAMLESS PIPES API SPEC 5L/ASTM A106/A53 B PSL1/B | 125.00 | 40,209 | 50,26,152 | PUC |
| 2011-12 | 20120124 | CHINA P RP | 73049000 | SEAMLESS CARBON STEEL PIPES STOCKLOT (MIXED SIZE) | 123.00 | 33,849 | 41,63,474 | PUC |
| 2011-12 | 20120214 | CHINA P RP | 73049000 | SEAMLESS PIPE OD168MM X25MM (MO 0.03, NI 0.03) (1 BDL) (ALLOY STEEL) | 121.00 | 51,926 | 62,83,054 | PUC |
| 2011-12 | 20120203 | CHINA P RP | 73049000 | CARBON SEAMLESS STEEL PIPES STOCKLOT MIX SIZE | 121.00 | 31,890 | 38,58,658 | PUC |
| 2011-12 | 20110907 | CHINA P RP | 73041110 | CARBON STEEL SEAMLESS CLASS I & II PIPES SIZE: 139.7 X 6.3 FOR VESSEL V.NO.381 | 120.34 | 29,188 | 35,12,352 | PUC |
| 2011-12 | 20120203 | CHINA P RP | 73041910 | CARBON SEAMLESS STEEL PIPES ASTM A 106/API 5L GR.B4 X SCH 80 X 5.8 MTR | 116.00 | 50,050 | 58,05,753 | PUC |
| 2011-12 | 20120124 | CHINA P RP | 73041110 | SEAMLESS STEEL PIPE 114.3X17(10.54MTS)/157X10(9.166MTS)/159X12.7 (8.645MTS) | 115.59 | 33,717 | 38,97,260 | PUC |
| 2011-12 | 20120215 | CHINA P RP | 73043911 | SEAMLESS CARBON STEEL TUBE SIZE AS PER INVOICE | 112.00 | 68,719 | 76,96,508 | PUC |
| 2011-12 | 20120127 | CHINA P RP | 73045910 | BEARINGS STEEL TUBES FOR MANUFACTURE OF OR & IR RACES 6006OR-55.70X4.51 OTHER | 107.74 | 83,620 | 90,09,040 | PUC |
| 2011-12 | 20120216 | U S A | 73042390 | DRILL PIPE, 5 (NEW) WITH 6-5/8 OD X 2-3/4 ID, 2 LTS TOOL JOINTS NC-50, GRADE S | 104.79 | 3,51,863 | 3,68,70,365 | PUC |
| 2011-12 | 20120214 | ROMANIA | 73043911 | SEAMLESS CARBON STEEL TUBES TO SPEC SA179 (16287.56 MTRS @ EURO 1.99/MTR) | 104.00 | 1,21,055 | 1,25,89,722 | PUC |
| 2011-12 | 20120211 | CHINA P RP | 73049000 | CARBON STEEL SEAMLESS PIPES GR. ASTM A 106-B | 102.00 | 35,461 | 36,17,035 | PUC |
| 2011-12 | 20120202 | CHINA P RP | 73049000 | CARBON STEEL SEAMLESS PIPES GR.ASTM A 106 GR.B/API5L GR.B | 102.00 | 35,232 | 35,93,623 | PUC |
| 2011-12 | 20120213 | SWEDEN | 73045110 | SECONDARY AND DEFECTIVE SEAMLESS STEEL TUBES (ALLOY STEEL) GRADE: 100 CR6 SIZE: | 101.92 | 30,092 | 30,66,944 | PUC |
| 2011-12 | 20120210 | U ARAB EMTS | 73049000 | SECONDARY CARBON STEEL SEAMLESS PIPES/ WELDED MIXED LOT | 100.00 | 28,737 | 28,73,658 | PUC |

**Import Data from DGCIS [All Countries PUC]
Apr 2009 to Jun 2012**

| Year | Date | Country | ITC-HS | Item-Des | Quantity (MT) | Price (Rs./MT) | Value (Rs) | PUC/ NPUC |
|---------|----------|------------|----------|---|---------------|----------------|-------------|--------------|
| 2011-12 | 20120201 | CHINA P RP | 73049000 | SEAMLESS SQUARE STEEL PIPES (SIZE 135X135X10MM) (FOR CAPTIVE CONSUMPTION) | 100.00 | 44,091 | 44,09,053 | PUC |
| 2011-12 | 20120201 | CHINA P RP | 73049000 | HIGH FREQUENCY STEEL PIPE SIZE 135X135X10 MM (FOR CAPTIVE CONSUMPTION) | 100.00 | 41,705 | 41,70,520 | PUC |
| 2011-12 | 20120124 | CHINA P RP | 73049000 | SEAMLESS CARBON STEEL PIPES STOCKLOT (MIXED SIZE) | 100.00 | 33,868 | 33,86,835 | PUC |
| 2011-12 | 20120222 | CHINA P RP | 73049000 | SECONDARY DEFECTIVE SEAM LESS PIPE-152X18MM | 100.00 | 32,607 | 32,60,716 | PUC |
| 2011-12 | 20120123 | BELGIUM | 73049000 | CARBON STEEL SECONDARY DEFECTIVE SEAMLESS PIPE | 99.00 | 39,599 | 39,20,335 | PUC |
| 2011-12 | 20120131 | BELARUS | 73041910 | HOT STRAINED SEAMLESS PIPES OF CARBON STEEL (HOT FINISHED) | 99.00 | 38,975 | 38,58,562 | PUC |
| 2011-12 | 20120207 | CHINA P RP | 73049000 | CARBON STEEL SEAMLESS PIPES AS PER ASTM A106 GRADE B/API 5LGRADE B/A53 GRADE B | 99.00 | 49,663 | 49,16,643 | PUC |
| 2011-12 | 20120216 | QATAR | 73049000 | SECONDARY CARBON STEEL SEAMLESS PIPES/WELDED MIXED LOT | 98.00 | 28,408 | 27,83,980 | PUC |
| 2011-12 | 20120127 | CHINA P RP | 73042400 | M/S.SEAMLESS PIPE 48.3MM X 5.5MM-5.36MTR | 97.71 | 53,366 | 52,14,332 | PUC |
| 2011-12 | 20120206 | CHINA P RP | 73043919 | COLD DRAWN SEAMLESS CARBON STEEL TUBES ASTM A333 GR.6(SIZE 33.4 X 3.5 X 9000-10 | 92.00 | 53,069 | 48,82,369 | PUC |
| 2011-12 | 20120220 | CHINA P RP | 73049000 | SEAMLESS STEEL TUBE FOR | 90.80 | 65,762 | 59,71,190 | PUC |
| 2011-12 | 20120210 | CHINA P RP | 73043919 | SEAMLESS STEEL TUBES (GRADE EN10305-1 2010 E235+C)(SIZE:50.08MM X 4.88 MM X 5.1 | 87.00 | 61,264 | 53,29,963 | PUC |
| 2011-12 | 20120213 | CHINA P RP | 73069090 | BEARING SEAMLESS STEEL TUBES-6202 IR-SKF3S-OD22.50MMXID14.10MM (COMPOSITION-CO. | 86.07 | 1,07,638 | 92,64,506 | PUC |
| 2011-12 | 20120119 | U S A | 73049000 | SECONDARY DEFECTIVE ALLOY STEEL SEAMLESS PIPE GRADE P91 | 85.70 | 44,623 | 38,24,323 | PUC |
| 2011-12 | 20120221 | CHINA P RP | 73049000 | CARBON STEEL SEAMLESS SECONDARY PIPE | 81.66 | 28,363 | 23,16,094 | PUC |
| 2011-12 | 20120209 | SINGAPORE | 73049000 | SECONDARY SECOND CHOICE CARBON STEEL SEAMLESS/WELDED PIPES | 79.00 | 28,298 | 22,35,533 | PUC |
| 2011-12 | 20120211 | U K | 73049000 | SECONDARY SECOND CHOICE CARBON STEEL SEAMLESS/WELDED PIPES | 77.00 | 28,488 | 21,93,594 | PUC |
| 2011-12 | 20120206 | CHINA P RP | 73045110 | CARBON STEEL SEAMLESS PIPES, GRADE ASTM A106 GR. B/AP 5L GR. B - SIZE : 6 X S | 77.00 | 40,717 | 31,35,244 | PUC |
| 2011-12 | 20120206 | CHINA P RP | 73049000 | CARBON STEEL SEAMLESS PIPES | 77.00 | 39,294 | 30,25,669 | PUC |
| 2011-12 | 20120206 | CHINA P RP | 73049000 | CARBON STEEL SEAMLESS PIPES GR.ASTM A 106 GR.B/API5L GR.B | 77.00 | 35,109 | 27,03,386 | PUC |
| 2011-12 | 20120204 | SWEDEN | 73045110 | SECONDARY AND DFEECTIVE SEAMLESS STEEL TUBES (ALLOY STEEL) GRADE: 100 CR6 SIZE: | 76.34 | 34,756 | 26,53,316 | PUC |
| 2011-12 | 20120210 | CHINA P RP | 73041990 | HOT ROLLED SEAMLESS STEEL PIPES FOR GAS CYLINDER USINGRAWMATERIALFULFILSTHE STA | 75.00 | 72,876 | 54,65,727 | PUC |
| 2011-12 | 20120209 | CHINA P RP | 73041110 | MS PIPES /TUBES 73X14X8.324MT, 76X12X4.192MT,88.9X10 X8.18MT, 101X10 X 11.822MT | 74.05 | 32,881 | 24,34,674 | PUC |
| 2011-12 | 20120207 | KOREA RP | 73049000 | CARBON STEEL SEAMLESS PIPES AS PER ASTM A 106 GRADE B/API 5LGRADE B/A53 GRADE B | 73.00 | 46,875 | 34,21,893 | PUC |
| 2011-12 | 20120201 | CHINA P RP | 73043911 | SEAMLESS CARBON STEEL TUBES TO SPEC SA210 (3571.20MTRS@ USD11.49/MTR) | 73.00 | 73,130 | 53,38,459 | PUC |
| 2011-12 | 20120221 | CHINA P RP | 73049000 | CARBON STEEL SEAMLESS SECONDARY PIPE | 72.91 | 28,363 | 20,67,918 | PUC |
| 2011-12 | 20120217 | CHINA P RP | 73049000 | CARBON STEEL SEAMLESS PIPES | 71.00 | 35,666 | 25,32,311 | PUC |
| 2011-12 | 20120214 | KOREA RP | 73045110 | CARBON SEAMLESS STEEL TUBES ASME SA-210M GR. A1 SIZE 44.45OD X 3.66 MIN.WT X | 70.06 | 60,694 | 42,51,956 | PUC |
| 2011-12 | 20120127 | CHINA P RP | 73043919 | COLD DRAWN SEAMLESS STEEL TUBES,ST35,BK,5-5.8 METER(SIZE : 33.38MM X 6.35MM X 5 | 69.00 | 72,891 | 50,29,450 | PUC |
| 2011-12 | 20120207 | CHINA P RP | 73043919 | CARBON STEEL SEAMLESS MOTHER PIPE(SY2011-1123/PO1187) (SIZE: 25MM X 2.6MM X 600 | 68.20 | 54,569 | 37,21,626 | PUC |
| 2011-12 | 20120210 | U S A | 73049000 | M S PIPES | 67.00 | 25,199 | 16,88,309 | PUC |
| 2011-12 | 20111222 | MOZAMBIQUE | 73042990 | OLD AND USED M S SEAMLESS PIPES | 66.00 | 29,658 | 19,57,396 | PUC |
| 2011-12 | 20120202 | CHINA P RP | 73045110 | SEAMLESS STEEL TUBES/PIPES TECH: GRADE: 37MN5 (COLD DRAWN SEAMLESS CARBON STEEL | 66.00 | 61,968 | 40,89,897 | PUC |
| 2011-12 | 20120127 | CHINA P RP | 73043919 | SEAMLESS CARBON STEEL TUBES SY2011-1127/PO1188(SIZE 25.4MM X 2.45MM X 9500MM) | 65.81 | 59,501 | 39,15,750 | PUC |
| 2011-12 | 20120227 | U S A | 73069090 | SECONDARY DEFECTIVE M.S PIPE | 64.00 | 28,032 | 17,94,067 | PUC |
| 2011-12 | 20120216 | U S A | 73069090 | SECONDARY/DEFECTIVE MS PIPES | 63.00 | 27,684 | 17,44,068 | PUC |
| 2011-12 | 20120223 | GERMANY | 98010013 | HOT FINISHED SEAMLESS STEEL PIPES ASME SA 106 GR. C, OD 660MM X WT 115MM X F/L | 62.00 | 3,00,897 | 1,86,55,636 | PUC |
| 2011-12 | 20120118 | U S A | 73049000 | OLD & USED SEAMLESS PIPES | 62.00 | 29,936 | 18,56,021 | PUC |
| 2011-12 | 20120210 | CHINA P RP | 73049000 | RECTANGULAR TUBE SEAMLESS 220 X 120 X 4 | 60.00 | 53,212 | 31,92,720 | PUC |
| 2011-12 | 20111219 | CHINA P RP | 73042200 | 6 5/8 INCH 27.70 S 135 C | 59.09 | 3,15,600 | 1,86,48,804 | PUC |
| 2011-12 | 20120203 | CHINA P RP | 73043911 | CS SEAMLESS PIPES (API 5L GR B) SIZE: 30 DIA (C.O.: JAPAN) | 57.35 | 54,787 | 31,42,158 | PUC |

**Import Data from DGCIS [All Countries PUC]
Apr 2009 to Jun 2012**

| Year | Date | Country | ITC-HS | Item-Des | Quantity (MT) | Price (Rs./MT) | Value (Rs) | PUC/ NPUC |
|---------|----------|------------|----------|--|---------------|----------------|-------------|--------------|
| 2011-12 | 20120201 | INDONESIA | 73043911 | SEAMLESS CARBON STEEL TUBES TO SPEC SA179 (51500.20 MTRS @ EURO 1.65/MTR) | 56.00 | 1,00,195 | 56,10,896 | PUC |
| 2011-12 | 20120213 | CHINA P RP | 73041920 | SEAMLESS PIPE (10 3/4) (O.D 241 MM) L-80 | 56.00 | 75,803 | 42,44,960 | PUC |
| 2011-12 | 20120203 | CHINA P RP | 73049000 | CARBON STEEL SEAMLESS PIPES ASTM A106 GRB 114.3MM*8MM | 55.00 | 34,122 | 18,76,705 | PUC |
| 2011-12 | 20120131 | ROMANIA | 73043911 | SEAMLESS CARBON STEEL TUBES(TO SPEC SA 210)SIZE AS PER INVOICE | 54.00 | 90,884 | 49,07,720 | PUC |
| 2011-12 | 20120213 | SINGAPORE | 73049000 | SECONDARY SECOND CHOICE CARBON STEEL SEAMLESS/ WELDED PIPES | 53.00 | 26,254 | 13,91,469 | PUC |
| 2011-12 | 20120221 | CHINA P RP | 73043919 | CARBON STEEL SEAMLESS TUBES ASTM A179 (SIZE 27 MM X 2.6 MM X 10.5 - 11.8 M) | 53.00 | 52,253 | 27,69,428 | PUC |
| 2011-12 | 20120213 | CHINA P RP | 73049000 | MILD STEEL SECONDARY SECOND CHOICE SEAMLESS PIPES | 53.00 | 28,374 | 15,03,806 | PUC |
| 2011-12 | 20120213 | CHINA P RP | 73049000 | MILD STEEL SECONDARY SECOND CHOICE SEAMLESS PIPES | 53.00 | 28,141 | 14,91,468 | PUC |
| 2011-12 | 20120120 | SINGAPORE | 73049000 | SECONDARY SECOND CHOICE CARBON STEEL SEAMLESS/WELDED PIPES | 52.00 | 27,667 | 14,38,698 | PUC |
| 2011-12 | 20120213 | CHINA P RP | 73043929 | CARBON STEEL SEAMLESS PIPES ASTM A106GR.B (10INCH X S80 X 7-12M) (3 PCS) (MO0.02 | 52.00 | 42,828 | 22,27,041 | PUC |
| 2011-12 | 20120202 | SWEDEN | 73045110 | SECONDARY AND DFEECTIVE SEAMLESS STEEL TUBES (ALLOY STEEL) GRADE: 100 CR6 SIZE: | 51.18 | 30,092 | 15,40,092 | PUC |
| 2011-12 | 20120214 | SPAIN | 98010013 | SEAMLESS CARBON STEEL TUBES(TO SPEC SA 210)SIZE AS PER INVOICE CIF:RS.6375587 | 51.00 | 1,25,011 | 63,75,586 | PUC |
| 2011-12 | 20120209 | GERMANY | 73042990 | SECONDARY SEAMLESS CARBON STEEL PIPES | 51.00 | 33,180 | 16,92,201 | PUC |
| 2011-12 | 20120207 | CHINA P RP | 73049000 | CARBON STEEL SEAMLESS PIPES (127X8 MM) | 51.00 | 47,893 | 24,42,538 | PUC |
| 2011-12 | 20120130 | GERMANY | 73042990 | SEAMLESS CASING PIPES, ACCORDING TO API5CT GRADE L-80, (TYPE I). SIZE:-OD273.05 | 50.55 | 71,135 | 35,95,954 | PUC |
| 2011-12 | 20120222 | CHINA P RP | 73041990 | HOT FINISHED CARBON STEEL SEAMLESS MOTHER PIPE (SPECIFICATION : 33.4 X 3.38 X 1 | 50.39 | 47,941 | 24,15,747 | PUC |
| 2011-12 | 20120223 | CHINA P RP | 73049000 | HOT ROLLED SEAMLESS STEEL PIPES FOR GAS CYLINDERS GRADE 34CRMO4 | 50.00 | 72,732 | 36,36,588 | PUC |
| 2011-12 | 20120221 | CHINA P RP | 73041990 | CARBON STEEL SEAMLESS PIPE FOR COUPLING API 5CT (DIMS (MM)) : 196 X 16.5 , | 50.00 | 55,050 | 27,52,517 | PUC |
| 2011-12 | 20120116 | CHINA P RP | 73043939 | SEAMLESS PIPES API 5L ASTM 1 106 GR.B (SIZE: OD 60MM , WT 12.5MM , LENGTH 1-5- | 50.00 | 54,416 | 27,20,801 | PUC |
| 2011-12 | 20120201 | CHINA P RP | 73049000 | ALLOY STEEL SEAMLESS PIPES WITH STEEL GRADE 42 CRMO (OD 101.6MM) LENGTH- 810 MM | 50.00 | 42,954 | 21,47,681 | PUC |
| 2011-12 | 20120209 | CHINA P RP | 73049000 | CARBON STEEL SEAMLESS PIPES ASTM A106/API 5L GR.B | 50.00 | 37,193 | 18,59,666 | PUC |
| 2011-12 | 20120211 | CHINA P RP | 73049000 | CARBON STEEL SEAMLESS PIPES GR.ASTM A 106-B | 50.00 | 35,843 | 17,92,174 | PUC |
| 2011-12 | 20120208 | CHINA P RP | 73049000 | CARBON STEEL SEAMLESS PIPES GR.API SPEC 5L B PSL1/ASTM A106B | 50.00 | 35,562 | 17,78,119 | PUC |
| 2011-12 | 20120109 | CHINA P RP | 73041990 | CS SEAMLESS TUBES 38MM OD X 12MM THICK X 5.85 METER LONG(ASTM A 106 GR B) 1100 | 49.00 | 56,601 | 27,73,464 | PUC |
| 2011-12 | 20120211 | CHINA P RP | 73049000 | CARBON STEEL SEAMLESS PIPES (ASTM A106/API 5L GR.B) 114*8 MM | 49.00 | 33,646 | 16,48,641 | PUC |
| 2011-12 | 20120214 | CHINA P RP | 73049000 | CARBON STEEL SEAMLESS PIPES GRADE A106 | 48.99 | 37,148 | 18,19,843 | PUC |
| 2011-12 | 20120223 | U K | 73049000 | SECONDARY CARBON STEEL SEAMLESS PIPES | 48.00 | 31,500 | 15,12,018 | PUC |
| 2011-12 | 20120206 | GERMANY | 73049000 | SECONDARY CARBON STEEL SEAMLESS PIPES IN MIXED SIZES | 48.00 | 31,102 | 14,92,895 | PUC |
| 2011-12 | 20120128 | CHINA P RP | 73042390 | DRILL PIPE 6-5/8 INCH S135 , WITH INSPECTION TOOL JOINTS 8 1/2 OD X 4 1/4 @U | 47.83 | 2,26,725 | 1,08,43,563 | PUC |
| 2011-12 | 20120220 | CHINA P RP | 73041110 | CS SEAMLESS TUBE SA-179 - 25 OD X 2.5 TK X 8500 LG | 47.14 | 67,812 | 31,96,501 | PUC |
| 2011-12 | 20120124 | JORDAN | 73049000 | ALLOY STEEL TUBES SECONDARY DEFECTIVE (MO-0.65%, CR-1.10%,MN-0.70%, SI-0.35%, | 47.00 | 45,795 | 21,52,382 | PUC |
| 2011-12 | 20120207 | KOREA RP | 73049000 | M. S. SECONDARY DEFECTIVE SEAMLESS PIPE FITTING | 46.00 | 31,158 | 14,33,279 | PUC |
| 2011-12 | 20120125 | CHINA P RP | 73043919 | SEAMLESS STEEL PIPES C45-BK(SIZE : 26MM X 5.35MM X 5100MM-5800MM) | 46.00 | 59,604 | 27,41,789 | PUC |
| 2011-12 | 20120214 | CHINA P RP | 73045110 | CARBON SEAMLESS STEEL TUBES ASME SA-210M GR. A1 SIZE 50.8 OD X 6.35 MIN.WT X | 45.03 | 62,425 | 28,11,250 | PUC |
| 2011-12 | 20120201 | CANADA | 73043939 | CARBON SEAMLESS STEEL PIPE OD= 88.9MM WT= 16MM | 44.00 | 45,375 | 19,96,504 | PUC |
| 2011-12 | 20120213 | GERMANY | 73049000 | SECONDARY DEFECTIVE ALLOY STEEL PIPE GRADE P22 (CR-2.25%, MO-1%, MN-0.45%) | 44.00 | 32,137 | 14,14,049 | PUC |
| 2011-12 | 20120207 | GERMANY | 73041110 | SEAMLESS STEEL TUBES (SIZE: 101.6 X 7.3 X 12000MM) (40 PCS= NET WT:8.369 MTS = | 42.00 | 1,55,520 | 65,31,838 | PUC |
| 2011-12 | 20120201 | CHINA P RP | 73042990 | SEAMLESS STEEL PIPES | 42.00 | 56,628 | 23,78,369 | PUC |
| 2011-12 | 20120202 | CHINA P RP | 73049000 | CARBON STEEL SEAMLESS PIPE API 5L/ASTM A106 GR B 133MM X 4.5 MM X 9 - 10 M | 42.00 | 40,699 | 17,09,345 | PUC |
| 2011-12 | 20120202 | CHINA P RP | 73041190 | COLD DRAWN SEAMLESS STEEL TUBE 5000/5800 (50X7) (CAPTIVE CONSUMPTION) | 41.00 | 56,637 | 23,22,119 | PUC |
| 2011-12 | 20120210 | CHINA P RP | 73043119 | HORN TUBE (62X50X329MM) 380000000059 | 40.00 | 76,268 | 30,50,735 | PUC |

**Import Data from DGCIS [All Countries PUC]
Apr 2009 to Jun 2012**

| Year | Date | Country | ITC-HS | Item-Des | Quantity (MT) | Price (Rs./MT) | Value (Rs) | PUC/ NPUC |
|---------|----------|-------------|----------|---|---------------|----------------|-------------|--------------|
| 2011-12 | 20120210 | CHINA P RP | 73043119 | SEAMLESS COLD DRAWN TUBES GRADE SAE52100 SIZE 36.80*5.05 MM (C 0.96,SI 0.26, M | 40.00 | 71,330 | 28,53,201 | PUC |
| 2011-12 | 20120203 | CHINA P RP | 73045110 | CARBON SEAMLESS STEEL TUBES ASME SA-210M GR. A1 SIZE 44.45OD X 3.66 MIN.WT X | 37.36 | 60,117 | 22,45,854 | PUC |
| 2011-12 | 20120123 | ROMANIA | 73041190 | SKIVED AND ROLLER BURNISHED TUBE E355 SR EN 10305-1DIA 114.3X101.6 H8 | 36.48 | 83,812 | 30,57,176 | PUC |
| 2011-12 | 20111222 | OMAN | 73049000 | M.S.PIPES (STOCK LOT) SEAMLESS | 36.00 | 29,928 | 10,77,412 | PUC |
| 2011-12 | 20120214 | KOREA RP | 73042390 | OILWELL EQUIPMET - CASING, 7-5/8 29.7 LB/FT, EX-80, XPC LHBOX X PIN, | 33.41 | 9,13,470 | 3,05,19,373 | PUC |
| 2011-12 | 20120125 | CHINA P RP | 73045110 | STEEL TUBE DIA 4.76*0.55MM WITH ZINC COATED (PART FOR REFRIGRATOR) (CAPTIVE | 31.42 | 82,965 | 26,06,588 | PUC |
| 2011-12 | 20120214 | CHINA P RP | 73045110 | STEEL TUBE DIA 4.76 0.55MM WITH ZINC COATED | 31.42 | 76,296 | 23,97,050 | PUC |
| 2011-12 | 20120201 | COSTA RICA | 73049000 | M S PIPE | 31.00 | 25,219 | 7,81,777 | PUC |
| 2011-12 | 20120213 | U S A | 73042390 | OILWELL SUPPLIES DRILL PIPE, 5-1/2 IN OD X 0.361 IN WALL, 31 FT LONG, GRADE S-1 | 30.13 | 4,19,256 | 1,26,32,883 | PUC |
| 2011-12 | 20120201 | CHINA P RP | 73049000 | BEARING QUALITY STEEL TUBES SAE52100 OD62.90MM X WT6.15MM | 30.07 | 1,21,272 | 36,46,527 | PUC |
| 2011-12 | 20120203 | CHINA P RP | 73045110 | CARBON STEEL SEAMLESS MOTHER PIPES (HOT FINISH) AS PER DIN17175 ST35.8 - SIZE: | 29.00 | 54,896 | 15,91,993 | PUC |
| 2011-12 | 20120223 | JAPAN | 73049000 | SEAMLESS ALLOY STEEL TUBES JIS G3441 SCM415TK 27.60MM OD X 20.70MM ID X 5M | 28.29 | 1,76,336 | 49,88,711 | PUC |
| 2011-12 | 20120118 | CHINA P RP | 73043919 | SEAMLESS STEEL TUBE, ST35, GBK (SIZE O.D 15.90 MMX W.T 1.60MMX12000MM) (GRADE S | 28.00 | 84,731 | 23,72,464 | PUC |
| 2011-12 | 20111220 | U S A | 73044900 | OILWELL EQUIPMENT: DRILL PIPE 3-1/2 ,1303LB/FT EU,S135,NC38,18 SHOULDER TAPER | 27.17 | 2,72,238 | 73,97,798 | PUC |
| 2011-12 | 20120221 | U ARAB EMTS | 73049000 | SECONDARY DEFECTIVE M.S SEAMLESS PIPE | 27.00 | 30,822 | 8,32,199 | PUC |
| 2011-12 | 20120213 | U ARAB EMTS | 73049000 | SECONDARY SECOND CHOICE CARBON STEEL SEMLESS PIPE MIX SIZE | 27.00 | 28,060 | 7,57,613 | PUC |
| 2011-12 | 20120206 | CHINA P RP | 73043129 | NON ALLOY STEEL SEAMLESS PIPES ASTM API 5L X52 PSL2219.1MMX15.09MM | 27.00 | 70,218 | 18,95,878 | PUC |
| 2011-12 | 20120201 | CHINA P RP | 73049000 | SECONDARY CHOICE CARBON STEEL SEAMLESS PIPES | 27.00 | 28,616 | 7,72,622 | PUC |
| 2011-12 | 20120208 | CHINA P RP | 73041990 | HOT FINISHED CARBON STEEL SEAMLESS MOTHER PIPE, SPECIFICATION : (25 X 2.5 X 602 | 26.49 | 47,050 | 12,46,351 | PUC |
| 2011-12 | 20120208 | U ARAB EMTS | 73049000 | CARBON STEEL SEAMLESS PIPES STOCK LOT | 26.46 | 32,286 | 8,54,298 | PUC |
| 2011-12 | 20120215 | U S A | 73049000 | ASTM A53 GR. B ASME B36.10M HOT DIP GALV ., SCRD SCH 80 SMLS (INNER & OUTER) | 26.00 | 65,485 | 17,02,619 | PUC |
| 2011-12 | 20120207 | U ARAB EMTS | 73049000 | CARBON STEEL SEAMLESS PIPE SECONDARY STOCK LOT | 26.00 | 30,847 | 8,02,032 | PUC |
| 2011-12 | 20120213 | U ARAB EMTS | 73049000 | SECONDARY SECOND CHOICE CARBON STEEL SEAMLESS PIPE | 26.00 | 28,844 | 7,49,938 | PUC |
| 2011-12 | 20120213 | U ARAB EMTS | 73049000 | CARBON STEEL SECONDARY SEAMLESS PIPES | 26.00 | 27,822 | 7,23,382 | PUC |
| 2011-12 | 20120204 | CHINA P RP | 73043919 | SEAMLESS STEEL TUBE, ST35, GBK (SIZE O.D 15.90MM 1/-0.10 XW.T 1.60MM +/-0.10 X1 | 26.00 | 80,615 | 20,95,979 | PUC |
| 2011-12 | 20111129 | CHINA P RP | 73043119 | CARBON STEEL SEAMLESS TUBE DIA 48.3X3.68X5800MM | 26.00 | 40,782 | 10,60,341 | PUC |
| 2011-12 | 20120208 | CHINA P RP | 73049000 | CARBON STEEL SEAMLESS PIPES GR.API SPEC 5L B PSL1/ASTM A106B | 26.00 | 34,829 | 9,05,563 | PUC |
| 2011-12 | 20120211 | CHINA P RP | 73049000 | SECONDARY/DEFECTIVE CARBON STEEL SEAMLESS PIPE | 26.00 | 28,735 | 7,47,110 | PUC |
| 2011-12 | 20120210 | CHINA P RP | 73049000 | SECONDARY SECOND CHOICE CARBON STEEL SEAMLESS PIPE S | 26.00 | 28,554 | 7,42,413 | PUC |
| 2011-12 | 20120207 | CHINA P RP | 73041990 | CARBON STEEL SEAMLESS MOTHER PIPE (SPECIFICATION : 33.4 X 3.38 X 10500-11800 M | 25.38 | 45,431 | 11,53,039 | PUC |
| 2011-12 | 20120215 | GERMANY | 73043921 | SEAMLESS STEEL TUBE (193.7 X 22.2 X 13500 MM) | 25.29 | 96,384 | 24,37,744 | PUC |
| 2011-12 | 20120208 | CHINA P RP | 73043119 | SEAMLESS STEEL PIPES ASTM A106 GR. B 50 X 6 X 5000-5800MM | 25.01 | 53,212 | 13,30,726 | PUC |
| 2011-12 | 20120201 | CHINA P RP | 73049000 | CARBON STEEL SEAMLESS PIPES AS PER ASTM A 106 GRADE B/API 5LGRADE B/A53 GRADE B | 25.00 | 45,777 | 11,44,436 | PUC |
| 2011-12 | 20120215 | CHINA P RP | 73041910 | SEAMLESS STEEL PIPES SIZE 40 X 8.5 MM | 25.00 | 42,012 | 10,50,295 | PUC |
| 2011-12 | 20120201 | CHINA P RP | 73049000 | SECONDARY CARBON STEEL SEAMLESS PIPES MIXED LENGTHS | 25.00 | 30,704 | 7,67,595 | PUC |
| 2011-12 | 20120204 | CHINA P RP | 73043129 | HYDRAULIC CYLINDER TUBE 130*115(FOR CAPTIVE CONSUMPTION) | 24.73 | 1,02,474 | 25,33,982 | PUC |
| 2011-12 | 20120217 | GERMANY | 73043121 | SEAMLESS STEEL TUBE GLAND S355 J2G3/MW450KV-DIA 132.7/71X920MM | 24.40 | 1,12,280 | 27,39,855 | PUC |
| 2011-12 | 20120223 | U ARAB EMTS | 73049000 | SECONDARY/DEFECTIVE M.S.SEAMLESS PIPE | 24.00 | 28,876 | 6,93,034 | PUC |
| 2011-12 | 20120201 | U ARAB EMTS | 73049000 | SECONDARY SECOND CHOICE CARBON STEEL SEAMLESS/WELDED PIPES | 24.00 | 28,701 | 6,88,817 | PUC |
| 2011-12 | 20120220 | GERMANY | 73049000 | SECONDARY SECOND CHOICE CARBON STEEL SEAMLESS PIPE | 24.00 | 25,194 | 6,04,654 | PUC |
| 2011-12 | 20120210 | CHINA P RP | 73041990 | HOT ROLLED SEAMLESSS STEEL PIPESFOR GAS CYLINDERUSINGRAWMATERIALFULFILS THE STA | 24.00 | 72,409 | 17,37,816 | PUC |

**Import Data from DGCIS [All Countries PUC]
Apr 2009 to Jun 2012**

| Year | Date | Country | ITC-HS | Item-Des | Quantity (MT) | Price (Rs./MT) | Value (Rs) | PUC/ NPUC |
|---------|----------|-------------|----------|---|---------------|----------------|------------|--------------|
| 2011-12 | 20120203 | CHINA P RP | 73045110 | CARBON STEEL SEAMLESS MOTHER PIPES (HOT FINISH) AS PER DIN17175 ST35.8 - SIZE: | 24.00 | 55,508 | 13,32,182 | PUC |
| 2011-12 | 20120204 | U S A | 73049000 | CARBON STEEL SEAMLESS PIPES (SA106) | 23.25 | 1,31,387 | 30,54,093 | PUC |
| 2011-12 | 20120223 | CHINA P RP | 73049000 | SEAMLESS STEEL TUBE FOR | 23.19 | 92,870 | 21,53,655 | PUC |
| 2011-12 | 20120213 | GERMANY | 73049000 | SECONDARY/DEFECTIVE CARBON STEEL SEAMLESS PIPES FITTINGS & FLANGES | 23.00 | 31,590 | 7,26,564 | PUC |
| 2011-12 | 20120222 | GERMANY | 73049000 | SECONDARY DEFECTIVE CARBON STEEL SEAMLESS PIPES FITTING & FLANGES | 23.00 | 31,184 | 7,17,221 | PUC |
| 2011-12 | 20120221 | U ARAB EMTS | 73049000 | SECONDARY DEFECTIVE M.S. SEAMLESS PIPE | 23.00 | 30,574 | 7,03,203 | PUC |
| 2011-12 | 20120206 | KUWAIT | 73049000 | M.S.SECONDARY AND DEFECTIVE SEAMLESS PIPE | 23.00 | 30,550 | 7,02,655 | PUC |
| 2011-12 | 20120203 | MALAYSIA | 73049000 | MS SECONDARY DEFECTIVE PIPE076/001-2012 DT. 16.01.2012 | 23.00 | 28,707 | 6,60,262 | PUC |
| 2011-12 | 20120214 | CHINA P RP | 73049000 | CARBON STEEL SEAMLESS PIPES A106 GR B | 23.00 | 41,507 | 9,54,662 | PUC |
| 2011-12 | 20120208 | CHINA P RP | 73049000 | CARBON STEEL SEAMLESS PIPES | 23.00 | 35,695 | 8,20,978 | PUC |
| 2011-12 | 20120125 | CHINA P RP | 73043939 | DIN2391 ST52 READY TO HONE TUBE (140X109.3-109.7 X4830) (QTY | 22.94 | 88,928 | 20,39,997 | PUC |
| 2011-12 | 20120209 | CHINA P RP | 73044100 | COLD DRAWN PIPES- MATERIAL-40 CR, LENGTH-6M, SIZE- 45 X 9.5MM (149 PCS) | 22.86 | 63,760 | 14,57,501 | PUC |
| 2011-12 | 20120223 | CHINA P RP | 73043919 | CARBON STEEL SEAMLESS MOTHER PIPE(SY2011-1110/PO1186)(SIZE : 33.4MM X 3.38MM X | 22.85 | 51,204 | 11,70,012 | PUC |
| 2011-12 | 20120203 | CHINA P RP | 73045110 | MINERY APPLICATION PIPE SMLS STEEL PIPE (MIA519000000C0008) (646 PCS) OD:89.03 | 22.68 | 1,38,895 | 31,49,866 | PUC |
| 2011-12 | 20120127 | CHINA P RP | 73043919 | SEAMLESS CARBON STEEL TUBE SY2011-1123/PO1187 GRADE: 10#(SIZE : 25 MM X 2.6MM X | 22.40 | 59,379 | 13,30,089 | PUC |
| 2011-12 | 20120201 | CHINA P RP | 73049000 | CARBON STEEL SEAMLESS PIPES AS PER GCR15/SAE52100 SIZE 61MMX 7.5 MM | 22.00 | 56,240 | 12,37,279 | PUC |
| 2011-12 | 20120229 | CHINA P RP | 73066100 | SEAMLESS PIPE 50X5MM | 22.00 | 39,680 | 8,72,957 | PUC |
| 2011-12 | 20120201 | CHINA P RP | 73041110 | MS PIPES /TUBES 33.4X3.2X5800MM(1.625MTS)/48.3X3.5X5800MM(7.365MTS)/60.3X3.7X5 | 21.54 | 34,638 | 7,46,103 | PUC |
| 2011-12 | 20120217 | CHINA P RP | 73044900 | SEAMLESS STEEL PIPE ST52-3 NBK 48MM*5MM (5.8-8M) (4003 MTRS) | 21.17 | 47,525 | 10,06,209 | PUC |
| 2011-12 | 20120125 | U ARAB EMTS | 73049000 | OIL WELL EQUIPMENT: DRILL PIPE HEAVY WEIGHT 3-1/2 INCH ,3 1/2 X ID 2 1/4 . 18 | 21.00 | 2,32,864 | 48,90,139 | PUC |
| 2011-12 | 20120207 | GERMANY | 98010013 | HOT FINISHED SEAMLESS STEEL PIPES ASME SA 106 GR.C,OD 610MMX WT 105MM X F/L 380 | 21.00 | 2,03,128 | 42,65,694 | PUC |
| 2011-12 | 20120125 | U S A | 73049000 | CARBON STEEL SECONDARY DEFECTIVE SEAMLESS PIPES | 21.00 | 29,583 | 6,21,235 | PUC |
| 2011-12 | 20120217 | U ARAB EMTS | 73049000 | SECONDARY CARBON STEEL SEAMLESS PIPES/ WELDED, MIXED LOT | 21.00 | 29,242 | 6,14,083 | PUC |
| 2011-12 | 20120213 | QATAR | 73049000 | M.S DEFECTIVE PIPES | 21.00 | 28,405 | 5,96,496 | PUC |
| 2011-12 | 20120202 | U S A | 73049000 | CARBON STEEL SEAMLESS PIPE SECONDS STOCK LOT | 21.00 | 28,276 | 5,93,805 | PUC |
| 2011-12 | 20120202 | CHINA P RP | 73049000 | STEEL TUBES19.7 OD X 2.65 WT | 21.00 | 93,969 | 19,73,350 | PUC |
| 2011-12 | 20120204 | CHINA P RP | 73045110 | STEEL TUBE DIA 4.76 X 0.60MM WITH COPPER COATED | 21.00 | 67,258 | 14,12,413 | PUC |
| 2011-12 | 20120217 | U S A | 73042390 | 3-1/2 DRILL PIPE, 13.30 PPF, G105 GRADE, RANGE 2, NC38 TOOLJOINTS 5 OD X 2-71 | 20.00 | 2,68,391 | 53,68,890 | PUC |
| 2011-12 | 20120209 | JAPAN | 73041910 | C.R. ALLOY STEEL TUBE FOR BEARING OD64.70MM X WT.8.50MM 1-9,14-20 | 20.00 | 1,21,250 | 24,24,999 | PUC |
| 2011-12 | 20120213 | GERMANY | 73049000 | SECONDARY/DEFECTIVE CARBON STEEL SEAMLESS PIPES FITTINGS & FLANGES | 20.00 | 31,361 | 6,27,219 | PUC |
| 2011-12 | 20120210 | CHINA P RP | 73045920 | HOT FINISHED CARBON STEEL SEAMLESS MOTHER PIPES [73.02MM X5.16MM X 2.77M X 12 | 20.00 | 61,144 | 12,22,889 | PUC |
| 2011-12 | 20120201 | CHINA P RP | 73045920 | CARBON STEEL SEAMLESS PIPE 168.3X7.11 | 20.00 | 51,055 | 10,21,098 | PUC |
| 2011-12 | 20120124 | CHINA P RP | 73049000 | ALLOY STEEL SEAMLESS TUBE 20 CR (28.6X14) | 19.89 | 83,514 | 16,61,182 | PUC |
| 2011-12 | 20120201 | CHINA P RP | 73043119 | SKIVED & BURNISHED TUBES(ID-100MM. X OD-115MM.) | 19.63 | 81,174 | 15,93,448 | PUC |
| 2011-12 | 20120130 | JAPAN | 73042390 | SEAMLESS NICKLE ALLOY STEEL PIPES (NET QTY:64 MTR, USD:1283.00 PER MTR) IMPORTE | 19.60 | 2,23,085 | 43,72,464 | PUC |
| 2011-12 | 20120125 | CHINA P RP | 73043121 | SKIVED & BURNISHED TUBES - SIZE: ID 70 X OD 82MM DIAMETER | 19.55 | 88,393 | 17,28,175 | PUC |
| 2011-12 | 20120201 | CHINA P RP | 73043119 | SKIVED & BURNISHED TUBES(ID-125MM. X OD-140MM.) | 19.32 | 81,174 | 15,68,449 | PUC |
| 2011-12 | 20120221 | JAPAN | 73049000 | ALLOY STEEL SEAMLESS STEEL TUBES O.D. 47.55MM X W/TH.6.35MM | 19.16 | 2,05,818 | 39,43,975 | PUC |
| 2011-12 | 20120217 | CHINA P RP | 73043139 | SKIVED & BURNISHED TUBES ST 52 OR P20 BK +S CONDITION ID-110 X OD-125 | 19.11 | 58,054 | 11,09,586 | PUC |
| 2011-12 | 20120120 | U K | 73049000 | SECONDARY SEAMLESS CARBON STEEL PIPES | 19.00 | 42,829 | 8,13,753 | PUC |
| 2011-12 | 20120223 | U ARAB EMTS | 73049000 | M. S. SECONDARY DEFECTIVE SEAMLESS PIPE | 19.00 | 29,306 | 5,56,812 | PUC |

**Import Data from DGCIS [All Countries PUC]
Apr 2009 to Jun 2012**

| Year | Date | Country | ITC-HS | Item-Des | Quantity (MT) | Price (Rs./MT) | Value (Rs) | PUC/ NPUC |
|---------|----------|----------------|----------|---|---------------|----------------|------------|--------------|
| 2011-12 | 20120207 | ARGENTINA | 73043119 | PLAIN END SEAM.PIPES COLD DRAWN SEAM.CARB.STEEL DRILL.PIPE)OD:88.90MM XID77.80M | 18.63 | 1,15,091 | 21,44,257 | PUC |
| 2011-12 | 20120128 | ITALY | 73049000 | COLD DRAWN SEAMLESS STEEL TUBE140,00 X10,00 E355 +SR4000-5800 | 18.50 | 1,06,140 | 19,64,120 | PUC |
| 2011-12 | 20120127 | CHINA P RP | 73043119 | SEAMLESS STEEL TUBE (PART NO11058-01) 28.2 * 14.3 * 5800 MM | 18.25 | 67,979 | 12,40,342 | PUC |
| 2011-12 | 20120221 | CHINA P RP | 73049000 | STEEL TUBES (WCS-030) (140X10X5525MM) | 18.00 | 82,096 | 14,77,729 | PUC |
| 2011-12 | 20120120 | U K | 73049000 | SECONDARY SEAMLESS CARBON STEEL PIPES | 17.00 | 43,503 | 7,39,543 | PUC |
| 2011-12 | 20120201 | CANADA | 73049000 | SECONDARY/DEFECTIVE MILD STEEL PIPE | 17.00 | 30,198 | 5,13,364 | PUC |
| 2011-12 | 20120206 | CHINA P RP | 73043139 | NON ALLOY STEEL SEAMLESS PIPES ASTM API 5L X52 PSL2273.1MMX11.0MM | 16.00 | 73,114 | 11,69,825 | PUC |
| 2011-12 | 20120209 | JAPAN | 73049000 | BEARING QUALITY STEEL TUBES SAE52100 OD62.90MM X WT6.15MM | 15.98 | 1,15,761 | 18,49,628 | PUC |
| 2011-12 | 20120209 | GERMANY | 73043921 | SEAMLESS STEEL TUBE (177.8 X 25.4 X 9200MM) | 15.75 | 96,384 | 15,17,855 | PUC |
| 2011-12 | 20120125 | ITALY | 73043921 | MECHANICAL TUBE SEAMLESS STEEL PIPES HF GENERIC M ACC. TO: EN 10297-1 STEEL : E | 15.68 | 1,05,987 | 16,61,354 | PUC |
| 2011-12 | 20120222 | CHINA P RP | 73043129 | HYDRAULIC CYLINDER TUBE (SIZE: 170 X 140 MM) | 14.97 | 81,941 | 12,26,682 | PUC |
| 2011-12 | 20120127 | GERMANY | 73043119 | PRECISION STEEL TUBES ,SEAMLESS,COLD DRAWN (OUT.DIAM.250,000*INS.DIAM.225,000 | 14.50 | 2,44,066 | 35,38,950 | PUC |
| 2011-12 | 20120217 | CHINA P RP | 73043919 | SEAMLESS STEEL TUBES, (SIZE O.D 15.90MMXW.T 1.60MMX12000MM | 14.00 | 80,620 | 11,28,680 | PUC |
| 2011-12 | 20120206 | CHINA P RP | 73043129 | NON ALLOY STEEL SEAMLESS PIPES ASTM API 5L X52 PSL2219.1MMX15.09MM | 14.00 | 69,997 | 9,79,964 | PUC |
| 2011-12 | 20120124 | CHINA P RP | 73049000 | SEAMLESS CARBON STEEL TUBE ASTM A 179 (57.2MM X 3.25MM X4.052 MTR. LENGTH) | 13.71 | 42,543 | 5,83,271 | PUC |
| 2011-12 | 20120217 | CHINA P RP | 73043129 | HYDRAULIC CYLINDER TUBE 93*80(FOR CAPTIVE CONSUMPTION) | 13.12 | 1,43,500 | 18,82,962 | PUC |
| 2011-12 | 20111222 | OMAN | 73049000 | M.S.PIPES (STOCK LOT) SEAMLESS | 13.00 | 29,799 | 3,87,388 | PUC |
| 2011-12 | 20120206 | CHINA P RP | 73043139 | NON ALLOY STEEL SEAMLESS PIPES ASTM API 5L X52 PSL2273.1MMX11.0MM | 13.00 | 72,464 | 9,42,030 | PUC |
| 2011-12 | 20120206 | CHINA P RP | 73043129 | NON ALLOY STEEL SEAMLESS PIPES ASTM API 5L X52 PSL2219.1MMX15.09MM | 13.00 | 70,882 | 9,21,465 | PUC |
| 2011-12 | 20120209 | DENMARK | 73043919 | COLD DRAWN SEAMLESS STEEL TUBES, BK(SIZE : 69.85MM X 8.75MM X 3800MM) | 12.00 | 1,07,886 | 12,94,633 | PUC |
| 2011-12 | 20120217 | CHINA P RP | 73043919 | SEAMLESS STEEL TUBES, (SIZE O.D 15.90MMXW.T 1.60MMX12000MM | 12.00 | 81,338 | 9,76,056 | PUC |
| 2011-12 | 20120206 | CHINA P RP | 73043139 | NON ALLOY STEEL SEAMLESS PIPES ASTM API 5L X52 PSL2273.1MMX11.0MM | 12.00 | 77,404 | 9,28,850 | PUC |
| 2011-12 | 20120206 | CHINA P RP | 73049000 | CARBON STEEL SEAMLEES PIPE AS PER ASTM A106 273 X 9.27 X 5000-7000 | 11.71 | 48,184 | 5,64,235 | PUC |
| 2011-12 | 20111208 | CHINA P RP | 73043129 | CDS TUBE (OD 146 X ID 95 X 4895 MM) QTY 78.330 METER | 11.67 | 1,04,781 | 12,22,485 | PUC |
| 2011-12 | 20120223 | CHINA P RP | 73043119 | SEAMLESS STEEL TUBES SCM415 (SIZE 30.0 MM OD X 3 MM WT X 5000 - 5800 MM LENGTH | 11.00 | 75,829 | 8,34,123 | PUC |
| 2011-12 | 20120206 | CHINA P RP | 73043129 | NON ALLOY STEEL SEAMLESS PIPES ASTM API 5L X52 PSL2219.1MMX15.09MM | 11.00 | 69,536 | 7,64,899 | PUC |
| 2011-12 | 20120209 | KOREA RP | 73049000 | SAE52100 SEAMLESS COLD DRAWN TUBE 66.00*11.25 MM | 10.66 | 70,356 | 7,49,783 | PUC |
| 2011-12 | 20120207 | CHINA P RP | 73041910 | HONED TUBE ST 52BK+8 AND OTHER SPECIFICATION 140X160X5800(ST52) | 10.45 | 88,902 | 9,28,937 | PUC |
| 2011-12 | 20111208 | CHINA P RP | 73043139 | CDS TUBE (OD 244 X ID 127 X 1370 MM) QTY 15.070 METER | 9.54 | 1,36,861 | 13,05,239 | PUC |
| 2011-12 | 20120220 | CHINA P RP | 73049000 | SEAMLESS STEEL TUBE FOR | 9.20 | 65,260 | 6,00,392 | PUC |
| 2011-12 | 20120206 | CHINA P RP | 73043919 | COLD DRAWN SEAMLESS CARBON STEEL TUBES ASTM A333 GR.6(SIZE 33.4 X 3.5 X 9000-10 | 9.00 | 52,820 | 4,75,378 | PUC |
| 2011-12 | 20120123 | SWITZERLAND | 73045110 | SECONDARY AND DFEECTIVE SEAMLESS STEEL TUBES (ALLOY STEEL) GRADE: 100 CR6 SIZE: | 8.86 | 2,45,263 | 21,72,052 | PUC |
| 2011-12 | 20120203 | CHINA P RP | 73045110 | CARBON SEAMLESS STEEL TUBES ASME SA-210M GR. A1 SIZE 44.45OD X 4.06 MIN.WT X | 8.55 | 60,466 | 5,17,041 | PUC |
| 2011-12 | 20120203 | CHINA P RP | 73049000 | CARBON STEEL SEAMLESS PIPES ASTM A 106 GR.B/API 5L/A53 GR.B | 8.00 | 48,601 | 3,88,810 | PUC |
| 2011-12 | 20120208 | CHINA P RP | 73043129 | SEAMLESS TUBES AS PER ASTM A106 GR.B OR GBT 8163 .20114*12.5MM * 6MM | 8.00 | 39,003 | 3,12,021 | PUC |
| 2011-12 | 20120215 | CZECH REPUBLIC | 73045930 | SEAMLESS STEEL TUBE - SIZE:203,0/11,0 MM | 7.71 | 1,09,586 | 8,45,042 | PUC |
| 2011-12 | 20120131 | CHINA P RP | 73043129 | RH368508 SEAMLESS STEEL TUBES ACCORDING TO EN EN 10297-1 E355K2 | 7.49 | 1,02,782 | 7,69,323 | PUC |
| 2011-12 | 20120214 | CHINA P RP | 73045110 | BEARING QUALITY STEEL TUBE SAE52100 SIZE - 55.7*7.0MM | 7.07 | 69,276 | 4,89,435 | PUC |
| 2011-12 | 20120222 | CHINA P RP | 73043139 | HYDRAULIC CYLINDER TUBE (SIZE: 220 X 200 MM) | 6.79 | 1,42,271 | 9,65,552 | PUC |
| 2011-12 | 20120203 | CHINA P RP | 73043919 | SEAMLESS STEEL TUBE 4500-5800 MM(SIZE : OD 6.35 X ID 1.8 MM) | 6.00 | 1,85,598 | 11,13,587 | PUC |
| 2011-12 | 20120210 | CHINA P RP | 73043129 | HORN TUBE (137Z125X3158MM) 380000000058 | 6.00 | 80,582 | 4,83,494 | PUC |

**Import Data from DGCIS [All Countries PUC]
Apr 2009 to Jun 2012**

| Year | Date | Country | ITC-HS | Item-Des | Quantity (MT) | Price (Rs./MT) | Value (Rs) | PUC/ NPUC |
|---------|----------|-------------|----------|---|---------------|----------------|--------------|--------------|
| 2011-12 | 20120215 | CHINA P RP | 73043119 | HYDRAULIC CYLINDER TUBE (SIZE: 73 X 63 MM) | 5.67 | 1,09,492 | 6,20,838 | PUC |
| 2011-12 | 20120207 | GERMANY | 73043121 | STEEL TUBE DIA 152.4X88.4X1660MM | 5.52 | 64,419 | 3,55,740 | PUC |
| 2011-12 | 20120130 | JAPAN | 73045120 | HOT FINISHED SEAMLESS C/A STEEL PIPES GR. SA 106M-B OD 219.10 X WT 40.00 X LG | 5.31 | 1,06,500 | 5,65,515 | PUC |
| 2011-12 | 20120217 | CHINA P RP | 73043129 | HORN TUBES (STEEL) 133X119.50X1375MM | 5.00 | 66,874 | 3,34,370 | PUC |
| 2011-12 | 20120210 | CHINA P RP | 73045110 | ALUMINIUM TUBE 7.94*0.9MM | 4.94 | 1,55,131 | 7,66,035 | PUC |
| 2011-12 | 20120201 | SPAIN | 73045120 | SEAMLESS STEEL PIPES ASTM-A-106/08 GB DIM- 219.10 X 50.00 X3500 MM | 3.82 | 1,61,071 | 6,15,291 | PUC |
| 2011-12 | 20111231 | CHINA P RP | 73045910 | SEAMLESS TUBES WITH RUBBER GASKET- ST50-OD [50MM X 1MM X 5.8 MTR] [500 PCS] | 3.48 | 1,11,334 | 3,87,444 | PUC |
| 2011-12 | 20120218 | FRANCE | 98010013 | HOT FINISHED SEAMLESS STEEL PIPES ASME SA 106 GR.C, OD 323.9MM X WT 45MM X F/L | 3.00 | 1,20,144 | 3,60,431 | PUC |
| 2011-12 | 20120213 | QATAR | 73049000 | M.S DEFECTIVE PIPES | 3.00 | 30,859 | 92,576 | PUC |
| 2011-12 | 20120214 | CHINA P RP | 73041190 | NEW PIPE CUT PIECE DIA 13MM LENGTH 38 MM | 3.00 | 1,24,329 | 3,72,986 | PUC |
| 2011-12 | 20120214 | CHINA P RP | 73041190 | NEW PIPE CUT PIECE DIA 15MM LENGTH 48MM | 2.84 | 1,92,792 | 5,48,109 | PUC |
| 2011-12 | 20120202 | GERMANY | 73043919 | TUBE (HOT ROLLED SEAMLESS TUBE) (E355 EN 10297) (MM267X20) (1 PCS) (C/O SPAIN) | 2.68 | 47,402 | 1,27,092 | PUC |
| 2011-12 | 20120215 | CHINA P RP | 73043139 | HYDRAULIC CYLINDER TUBE (SIZE: 230 X 200 MM) | 2.39 | 90,901 | 2,16,965 | PUC |
| 2011-12 | 20120201 | JAPAN | 73045110 | BEARING QUALITY STEEL TUBE SAE52100 SIZE : 30.4*3.0 MM | 2.21 | 69,276 | 1,53,100 | PUC |
| 2011-12 | 20120203 | CHINA P RP | 73043119 | 51797376 RIGID PIPE (FOR CAPTIVE USE) (1 PCS) | 2.20 | 23,812 | 52,386 | PUC |
| 2011-12 | 20120125 | U ARAB EMTS | 73044900 | OIL WELL EQUIPMENT: DRILL PIPE HEAVY WEIGHT 5 INCH ,5 X ID3 , 18 DEG SHOULDER | 2.10 | 2,18,229 | 4,58,281 | PUC |
| 2011-12 | 20120201 | CHINA P RP | 73045120 | ALLOY STEEL SEAMLESS ROUND PIPES GRADE P5 (C-0.119%,MN-0.43%,SI-0.20%,MO-0.480% | 2.00 | 1,97,029 | 3,94,057 | PUC |
| 2011-12 | 20120224 | CHINA P RP | 73043119 | SEAMLESS STEEL TUBE (18MM X 2.5MM) (100 PCS) | 1.50 | 1,87,202 | 2,80,241 | PUC |
| 2011-12 | 20120222 | CHINA P RP | 73043119 | HYDRAULIC CYLINDER TUBE (SIZE: 80 X 70 MM) | 1.45 | 87,060 | 1,26,450 | PUC |
| 2011-12 | 20120123 | BELGIUM | 73049000 | CARBON STEEL SECONDARY DEFECTIVE SEAMLESS PIPE | 1.00 | 46,122 | 46,122 | PUC |
| 2011-12 | 20120116 | CHINA P RP | 73044900 | COLD-ROLLED PERCISION TUBESIZE 50*8MM (ACTUAL USER) | 1.00 | 77,777 | 77,777 | PUC |
| 2011-12 | 20120210 | CHINA P RP | 73041990 | HOT ROLLED SEAMLESS STEEL PIPES GAS CYLINDER USINGRAWMATERIALFULFILSTHE STANDAR | 1.00 | 72,267 | 72,267 | PUC |
| 2011-12 | 20120213 | GERMANY | 73044900 | TUBE DIMENSION 3 X 0.75 MM -CIRCULAR TUBES | 0.51 | 71,057 | 36,239 | PUC |
| 2011-12 | 20120204 | CHINA P RP | 73045110 | BEARING QUALITY STEEL TUBE SAE-52100 (63/22SPL IR) SIZE 33.8 X 6.7MM | 0.35 | 69,282 | 24,526 | PUC |
| 2011-12 | 20120210 | U S A | 73041990 | STEEL TUBING 3 OD X .073MIN X 63.0 ALUM. ED DS C-1006 OR 1008 T1-25 | 0.32 | 1,44,003 | 45,361 | PUC |
| 2011-12 | 20120210 | CHINA P RP | 73044900 | SINGLE WALL STEEL TUBE ZINC COATED SIZE:7.94MM(O.D) X 0.7(WT) X COIL | 0.25 | 85,545 | 21,391 | PUC |
| 2011-12 | 20120221 | U ARAB EMTS | 73049000 | SECONDARY DEFECTIVE M.S SEAMLESS PIPE | 0.01 | 30,600 | 306 | PUC |
| 2011-12 | 20120221 | U ARAB EMTS | 73049000 | SECONDARY DEFECTIVE M.S. SEAMLESS PIPE | 0.01 | 30,600 | 306 | PUC |
| 2011-12 | 20120215 | CHINA P RP | 73041990 | TUBE (2 PCS) | 0.01 | 30,200 | 151 | PUC |
| 2011-12 | 20120303 | CHINA P RP | 73042990 | CASING PIPE 7 , 29 PPF L-80 BTC (3061.899 MTS) (6090 PCS) (INVOICE NO.MUL/ONGC/ | 3,061.90 | 59,261 | 18,14,51,759 | PUC |
| 2011-12 | 20120306 | CHINA P RP | 73042990 | CASING PIPES 9-5/8 ,J-55, 40 PPF BTC 2813 PIECES | 2,023.32 | 55,149 | 11,15,83,583 | PUC |
| 2011-12 | 20120306 | CHINA P RP | 73042990 | CASING PIPES 5-1/2 ,L-80, 17 PPF BTC 3897 PIECES | 1,214.13 | 59,272 | 7,19,64,641 | PUC |
| 2011-12 | 20120315 | CHINA P RP | 73049000 | SEAMLESS STEEL CASING 4-1/2 11.6PPF K55 BTC R3 [ECIN201203070054 DT.07/03/2012 | 1,162.26 | 54,378 | 6,32,00,748 | PUC |
| 2011-12 | 20120306 | CHINA P RP | 73042990 | TUBING 2-7/8 OD 6.5 PPF L-80 EUE 11915 PIECES | 1,092.74 | 60,822 | 6,64,63,151 | PUC |
| 2011-12 | 20120227 | CHINA P RP | 73042200 | DRILL PIPE 5 OD 50PPF HEAVY WEIGHT (E.C NO.ECIN201201200026DTD.20/01/2012) | 558.00 | 70,628 | 3,94,10,270 | PUC |
| 2011-12 | 20120323 | CHINA P RP | 73043911 | 73043911 SEAMLESS CARBON STEEL TUBES TO SPEC (SA106) | 517.00 | 70,382 | 3,63,87,736 | PUC |
| 2011-12 | 20120303 | CHINA P RP | 73042990 | TUBING 2-7/8 OD 6.5 PPF N-80 EUE (MAT CODE 150019009) (501.652 MT) (5561 PCS) | 485.73 | 64,805 | 3,14,77,600 | PUC |
| 2011-12 | 20120315 | CHINA P RP | 73045930 | SEAMLESS STEEL GAS CYLINDER TUBE (SIZE: 267 MM X 6.0 MM) (GRADE: 34CRM04) | 469.00 | 61,529 | 2,88,56,986 | PUC |
| 2011-12 | 20120228 | FRANCE | 73049000 | CARBON STEEL SEAMLESS TUBES (SA210C) | 468.02 | 71,874 | 3,36,38,469 | PUC |
| 2011-12 | 20120128 | FRANCE | 73043911 | CARBON STEEL SEAMLESS TUBES (SA 210C) | 453.72 | 77,675 | 3,52,42,547 | PUC |
| 2011-12 | 20120327 | CHINA P RP | 73043911 | SEAMLESS CARBON STEEL PIPES(TO SPEC SA 106)SIZE AS PER INVOICE | 422.00 | 82,141 | 3,46,63,649 | PUC |

**Import Data from DGCIS [All Countries PUC]
Apr 2009 to Jun 2012**

| Year | Date | Country | ITC-HS | Item-Des | Quantity (MT) | Price (Rs./MT) | Value (Rs) | PUC/ NPUC |
|---------|----------|----------------|----------|--|---------------|----------------|-------------|--------------|
| 2011-12 | 20120306 | CHINA P RP | 73042990 | CASING PIPES 9-5/8 ,J-55, 40 PPF BTC 497 PIECES | 347.38 | 56,585 | 1,96,56,529 | PUC |
| 2011-12 | 20120310 | CZECH REPUBLIC | 73049000 | CARBON STEEL SEAMLESS LINE PIPES STOCK LOT (OD 21.30 TO OD 273.00 MM) | 303.00 | 29,952 | 90,75,541 | PUC |
| 2011-12 | 20120306 | CHINA P RP | 73042990 | CASING PIPES 5-1/2 ,17 PPF J-55 BUTT 1939 PIECES | 296.98 | 1,13,206 | 3,36,20,436 | PUC |
| 2011-12 | 20120305 | CHINA P RP | 73042990 | TUBING 2-7/8 OD 6.5 PPF L-80 EUE (284.490 MT) (3159 PCS) (INV.NO. MUL/ONGC/736 | 275.17 | 64,104 | 1,76,39,866 | PUC |
| 2011-12 | 20120323 | CHINA P RP | 73049000 | CARBON STEEL SEAMLESS PIPES AS PER ASTM A106/API 5L GRBDN 80 SCH 40 | 275.00 | 54,607 | 1,50,16,872 | PUC |
| 2011-12 | 20120321 | CHINA P RP | 73043919 | CARBON STEEL SEAMLESS TUBES ASTM A 179(33.4 MM X 4 MM X 9-10M) | 259.00 | 51,097 | 1,32,34,066 | PUC |
| 2011-12 | 20120228 | GERMANY | 73043939 | SUPPLY OF CS-NACE LINE PIPE (60.3 X 7.6 X 11700-12700 MM, 440 PCS) (CLG AGAINST | 235.59 | 1,55,315 | 3,65,90,520 | PUC |
| 2011-12 | 20120225 | CHINA P RP | 73043119 | SEAMLESS PIPE DN-80 SCH 80 OD-88.9MM WT-7.62 MM LENGTH 7-11.8 MTR (SEAMLESS | 216.00 | 56,799 | 1,22,68,538 | PUC |
| 2011-12 | 20120309 | SAUDI ARAB | 73049000 | SEAMLESS CARBON STEEL LINE PIPE (OD 219.10MM) AS PER PACKING LIST) | 198.00 | 37,097 | 73,45,270 | PUC |
| 2011-12 | 20120301 | FRANCE | 73049000 | HOT FINISHED SEAMLESS SEAMLESS STEEL TUBES ASME SA210 GR. C, OD 44.45MM X WT 6. | 182.00 | 1,96,459 | 3,57,55,525 | PUC |
| 2011-12 | 20120306 | JAPAN | 73049000 | OIL WELL EQUIPMENT: CASING, 9-5/8 , 40PPF, N80Q, BTC, R3 | 163.69 | 1,91,022 | 3,12,68,054 | PUC |
| 2011-12 | 20120301 | CHINA P RP | 73049000 | SECONDARY CARBON STEEL SEAMLESS PIPES IN MIXED SIZES | 162.00 | 28,877 | 46,77,997 | PUC |
| 2011-12 | 20120307 | CHINA P RP | 73042390 | ERW LINE PIPE 114.30 MMX4.80 MM X-42, 3LPE,LENGTH 10-13METERS, (ERW LINE PIPES) | 160.00 | 78,651 | 1,25,84,221 | PUC |
| 2011-12 | 20120305 | U ARAB EMTS | 73049000 | CARBON STEEL SEAMLESS PIPE STOCK LOT | 157.00 | 31,496 | 49,44,900 | PUC |
| 2011-12 | 20120307 | JAPAN | 73049000 | CARBON STEEL SEAMLESS PIPES STOCK LOT | 155.00 | 31,363 | 48,61,261 | PUC |
| 2011-12 | 20120320 | CHINA P RP | 73043911 | CARBON STEEL SEAMLESS PIPEOD 60.30X8.74XR/L OF5-7 MTRS | 153.00 | 43,675 | 66,82,244 | PUC |
| 2011-12 | 20120307 | CHINA P RP | 73042990 | CASING PIPE 7 26 PPF L-80 BTC (MAT CODE-020003719, ITEM NO-00057) (150.692 MTS | 148.86 | 60,520 | 90,08,641 | PUC |
| 2011-12 | 20120313 | ITALY | 73049000 | COLD DRAWN SEAMLESS STEEL TUBE131,00 X8,00 E355 +SR4000-5800 | 148.73 | 80,756 | 1,20,11,279 | PUC |
| 2011-12 | 20120305 | CHINA P RP | 73049000 | SEAMLESS STEEL TUBE FOR | 146.18 | 64,714 | 94,59,893 | PUC |
| 2011-12 | 20120327 | BELARUS | 73049000 | CARBON STEEL SEAMLESS PIPES | 140.00 | 35,555 | 49,77,696 | PUC |
| 2011-12 | 20120312 | U S A | 73049000 | CARBON STEEL SEAMLESS PIPES (INV NO.SPA/PSECO/025/2012) | 130.00 | 34,970 | 45,46,117 | PUC |
| 2011-12 | 20120224 | CHINA P RP | 73043119 | CARBON STEEL SEAMLESS PIPES (219X18MM) | 127.00 | 34,621 | 43,96,858 | PUC |
| 2011-12 | 20120315 | CHINA P RP | 73043119 | COLD DRAWN SEAMLESS STEEL TUBES 50MM OD X 38MM ID X 5M | 126.00 | 66,666 | 83,99,920 | PUC |
| 2011-12 | 20120306 | ITALY | 73049000 | COLD DRAWN SEAMLESS STEEL TUBE128,00 X9,00 E355 +SR4000-5800 | 124.42 | 79,750 | 99,22,425 | PUC |
| 2011-12 | 20120308 | CHINA P RP | 73043119 | TUBES. OD 63.5MM* THK 5.7MM* LENGTH 8M GRADE SA 210 GR C[1342 PCS 10736 MTRS \$P | 123.00 | 92,019 | 1,13,18,293 | PUC |
| 2011-12 | 20120308 | CHINA P RP | 73043119 | TUBES. OD 63.5MM* THK 5.7MM* LENGTH 8M GRADE SA 210 GR C[1342 PCS 10736 MTRS \$P | 123.00 | 92,019 | 1,13,18,293 | PUC |
| 2011-12 | 20120316 | CHINA P RP | 73049000 | CARBON STEEL SEAMLESS PIPE A 106 B 250 DN | 117.00 | 50,622 | 59,22,826 | PUC |
| 2011-12 | 20120315 | GERMANY | 73049000 | CARBON STEEL SECONDARY DEFECTIVE SEAMLESS PIPE | 111.00 | 30,736 | 34,11,650 | PUC |
| 2011-12 | 20120301 | CHINA P RP | 73043911 | CARBON STEEL SEAMLESS BLACK PIPE2 SCH80 6-7M | 111.00 | 46,562 | 51,68,341 | PUC |
| 2011-12 | 20120306 | U S A | 73049000 | SECONDARY M.S. SEAMLESS STEEL PIPES | 110.00 | 28,124 | 30,93,656 | PUC |
| 2011-12 | 20120316 | U ARAB EMTS | 73049000 | STOCK LOT IRON PIPES | 105.00 | 30,110 | 31,61,600 | PUC |
| 2011-12 | 20120315 | BELGIUM | 73049000 | SECONDARY CARBON SEAMLESS STEEL PIPES | 105.00 | 28,339 | 29,75,602 | PUC |
| 2011-12 | 20120315 | CHINA P RP | 73043119 | CARBON STEEL SEAMLESS PIPES (42.2X4.85X5800MM) | 105.00 | 35,019 | 36,76,960 | PUC |
| 2011-12 | 20120309 | CONGO P REP | 73049000 | SECONDARY CARBON STEEL SEAMLESS PIPE | 104.00 | 27,287 | 28,37,832 | PUC |
| 2011-12 | 20120322 | CHINA P RP | 73049000 | CARBON STEEL SEAMLESS PIPES API SPEC 5L B PSL1/ASTM A106B | 104.00 | 34,853 | 36,24,663 | PUC |
| 2011-12 | 20120228 | SWEDEN | 73045110 | SECONDARY AND DFEECTIVE SEAMLESS STEEL TUBES (ALLOY STEEL) GRADE: 100 CR6 SIZE: | 103.90 | 29,761 | 30,92,167 | PUC |
| 2011-12 | 20120228 | SWEDEN | 73045110 | SECONDARY AND DFEECTIVE SEAMLESS STEEL TUBES (ALLOY STEEL) GRADE: 100 CR6 SIZE: | 101.61 | 37,575 | 38,17,807 | PUC |
| 2011-12 | 20120314 | CHINA P RP | 73041110 | ALLOY STEEL SEAMLESS PIPE 60.45MM X 9.14MM,3.04M LONG GRADE AISI 4130 | 101.00 | 61,369 | 61,98,253 | PUC |
| 2011-12 | 20120305 | CHINA P RP | 73049000 | SECONDARY CARBON STEEL SEAMLESS PIPE | 100.00 | 28,225 | 28,22,500 | PUC |
| 2011-12 | 20120227 | BELGIUM | 73049000 | SECONDARY / DEFECTIVE CARBON STEEL SEAMLESS PIPES | 99.42 | 29,008 | 28,84,019 | PUC |
| 2011-12 | 20120301 | CHINA P RP | 73043119 | CARBON STEEL SEAMLESS TUBES ASTM A 179 (SIZE 30MM X 3MM X 10.5-11.8M) | 99.00 | 54,594 | 54,04,824 | PUC |

**Import Data from DGCIS [All Countries PUC]
Apr 2009 to Jun 2012**

| Year | Date | Country | ITC-HS | Item-Des | Quantity (MT) | Price (Rs./MT) | Value (Rs) | PUC/ NPUC |
|---------|----------|-------------|----------|---|---------------|----------------|-------------|--------------|
| 2011-12 | 20120315 | BELGIUM | 73049000 | SECONDARY / DEFECTIVE CARBON STEEL SEAMLESS PIPES | 97.05 | 28,546 | 27,70,358 | PUC |
| 2011-12 | 20120305 | GERMANY | 73049000 | CARBON STEEL SECONDARY DEFECTIVE SEAMLESS PIPE | 97.00 | 37,390 | 36,26,868 | PUC |
| 2011-12 | 20120315 | CHINA P RP | 73049000 | CARBON STEEL SEAMLESS PIPES | 97.00 | 34,788 | 33,74,388 | PUC |
| 2011-12 | 20120305 | GERMANY | 73049000 | CARBON STEEL SECONDARY DEFECTIVE SEAMLESS PIPE | 96.00 | 30,707 | 29,47,886 | PUC |
| 2011-12 | 20120228 | CHINA P RP | 73043119 | COLD DRAWN SEAMLESS CARBON STEEL TUBE ASTM A179 (SIZE 27 X2.7 X 10000 - 11800 | 95.00 | 56,666 | 53,83,297 | PUC |
| 2011-12 | 20120225 | CHINA P RP | 73049000 | SECONDARY CARBON STEEL SEAMLESS PIPES IN MIXED SIZES | 94.52 | 30,966 | 29,26,860 | PUC |
| 2011-12 | 20120228 | ITALY | 73049000 | COLD DRAWN SEAMLESS STEEL TUBE120,00 X10,00 E355 +SR4000-5800 | 94.22 | 85,993 | 81,02,222 | PUC |
| 2011-12 | 20120321 | CHINA P RP | 73049000 | CS PIPES (SSAW) SIZE : 273.1MM X 6MM SAW | 91.29 | 54,231 | 49,50,647 | PUC |
| 2011-12 | 20120324 | ITALY | 73069090 | SEAMLESS STEEL TUBES FOR HYDRAULIC CYLINDER (RTW0GG012001000) (SIZE: 120 X 100 | 90.42 | 83,119 | 75,15,624 | PUC |
| 2011-12 | 20120307 | CHINA P RP | 73041990 | HOT ROLLED SEAMLESS STEEL PIPES FOR GAS CYLINDER USING RAW MATERIAL FULFILLS TH | 89.00 | 61,882 | 55,07,505 | PUC |
| 2011-12 | 20120316 | CHINA P RP | 73043919 | SEAMLESS STEEL TUBES(EN 10305-1 2010 E235+C)(SIZE 63.5MMX9.35MMX5.1M-5.8M) | 87.00 | 54,922 | 47,78,205 | PUC |
| 2011-12 | 20120221 | U ARAB EMTS | 73049000 | STOCK LOT IRON PIPES | 81.00 | 30,391 | 24,61,684 | PUC |
| 2011-12 | 20120312 | U ARAB EMTS | 73069090 | M S SECONDARY DEFECTIVE SEAMLESS PIPES | 80.00 | 27,603 | 22,08,219 | PUC |
| 2011-12 | 20120224 | CHINA P RP | 73045910 | BEARING STEEL TUBES 6304OR - 52.70X5.90 OTHER STEEL TUBES HAVING OUTER DIAMETE | 79.00 | 75,402 | 59,56,719 | PUC |
| 2011-12 | 20120321 | CHINA P RP | 73041910 | COLD DRAWN SEAMLESS STEE | 79.00 | 56,813 | 44,88,257 | PUC |
| 2011-12 | 20120320 | CHINA P RP | 73043919 | CARBON STEEL SEAMLESS TUBES FULLY KILLED AS PER DIN17175 ST35.8 (OD: 27 MM, W.T | 78.42 | 48,906 | 38,35,209 | PUC |
| 2011-12 | 20120319 | CHINA P RP | 73049000 | SEAMLESS CARBON STEEL PIPES | 77.85 | 35,074 | 27,30,406 | PUC |
| 2011-12 | 20120321 | CHINA P RP | 73043119 | SKIVED & BURNISHED TUBES(160 X 180 X 8857 MM.) | 77.55 | 27,006 | 20,94,200 | PUC |
| 2011-12 | 20120301 | CHINA P RP | 73049000 | COLD DRAWN SEAMLESS STEEL PIPES AS PER ASTM A106/A53/API 5LGR.B. | 77.00 | 36,760 | 28,30,531 | PUC |
| 2011-12 | 20120305 | CHINA P RP | 73042990 | CASING PIPE 7 26 PPF L-80 BTC (76.868 MTS) (171PCS) (INVOICE NO.MUL/ONGC/7413- | 75.92 | 60,517 | 45,94,340 | PUC |
| 2011-12 | 20120306 | CHINA P RP | 73049000 | SEAMLESS CARBON STEEL PIPES ASTM A 106 GRADE-B (38MM O/D X 12MM W/T X 4.377 | 75.00 | 42,484 | 31,86,300 | PUC |
| 2011-12 | 20120314 | KUWAIT | 73049000 | M.S.SECONDARY AND DEFECTIVE SEAMLESS PIPE | 74.00 | 27,461 | 20,32,100 | PUC |
| 2011-12 | 20120301 | CHINA P RP | 73043911 | CARBON STEEL SEAMLESS BLACK PIPE1 1/2 SCH80 6-7M | 69.00 | 46,049 | 31,77,396 | PUC |
| 2011-12 | 20120316 | ITALY | 73043121 | SEAMLESS COLD DRAWN CUT TUBES (USED FOR HYDRAULIC CYLINDER COMPONENT CYLINDER) | 66.10 | 1,13,590 | 75,08,174 | PUC |
| 2011-12 | 20120303 | U S A | 73042390 | OILWELL SUPPLIES = 165 NOS. DRILL PIPE, 5-1/2 IN OD X 0.361IN WALL, 31 FT LONG, | 65.43 | 2,86,059 | 1,87,17,147 | PUC |
| 2011-12 | 20120303 | U S A | 73042390 | 8 NOS DRILLPIPE, 5-1/2 IN OD X 0.361 IN WALL 31 FT LONG GRADE S-135 RANGE 2 21. | 65.02 | 2,86,073 | 1,86,00,451 | PUC |
| 2011-12 | 20120307 | CHINA P RP | 73042390 | SEAMLESS STEEL DRILL PIPES (SIZE:1/2INCHX0.415INCHX24.700LBS,29.0-32.0) | 64.00 | 1,55,305 | 99,39,546 | PUC |
| 2011-12 | 20120314 | ITALY | 73043911 | SEAMLESS PIPES (NACE A106 GR B) SIZE : 10 | 63.92 | 67,567 | 43,18,631 | PUC |
| 2011-12 | 20120322 | CHINA P RP | 73049000 | CARBON STEEL SEAMLESS TUBES ASTM A 179 (57.2 MM O/D X 3.25 MM W/T X 4.052 LENGT | 60.07 | 48,055 | 28,86,459 | PUC |
| 2011-12 | 20120321 | CHINA P RP | 73041990 | SEAMLESS STEEL PIPE API SPEC 5L B PSL1/ASTM A106B(219.1MMX6.35MM) | 58.79 | 1,08,054 | 63,52,578 | PUC |
| 2011-12 | 20120327 | CHINA P RP | 73041920 | SEAMLESS PIPE 7 7-5/8 9-5/8 (106PCS) | 58.00 | 79,113 | 45,88,563 | PUC |
| 2011-12 | 20120313 | ITALY | 73043119 | HYDRAULIC CYLINDERS TUBE SEAMLESS STEEL PIPES(OD 250MM X ID 225MM X 3100MM LON | 57.20 | 66,093 | 37,80,472 | PUC |
| 2011-12 | 20120228 | CHINA P RP | 73043119 | COLD DRAWN SEAMLESS CARBON STEEL TUBE ASTM A179 (SIZE 27 X2.7 X 10000 - 11800 | 57.00 | 57,044 | 32,51,534 | PUC |
| 2011-12 | 20120106 | JAPAN | 73049000 | BEARING QUALITY STEEL TUBES SAE52100 OD62.85MMXWT7.55MM | 56.18 | 1,29,662 | 72,84,295 | PUC |
| 2011-12 | 20120327 | CHINA P RP | 73042990 | CASING PIPE 7 29 PPF L-80 BTC(CASING PIPES) | 55.38 | 59,833 | 33,13,298 | PUC |
| 2011-12 | 20120227 | ITALY | 73049000 | COLD DRAWN SEAMLESS STEEL TUBE-SIZE 150.50X7.75 E355+SR 4000-5800 | 54.37 | 1,08,382 | 58,92,397 | PUC |
| 2011-12 | 20120229 | GERMANY | 73049000 | 18 WT 25.4 PIPE | 54.00 | 87,976 | 47,50,713 | PUC |
| 2011-12 | 20120227 | U K | 73049000 | CARBON STEEL SECONDARY SURPLUS SEAMLESS PIPES | 54.00 | 27,663 | 14,93,805 | PUC |
| 2011-12 | 20120305 | CHINA P RP | 73045110 | CARBON STEEL SEAMLESS MOTHER PIPES (HOT FINISH) AS PER DIN17175 ST35.8 - SIZE: | 53.00 | 53,096 | 28,14,087 | PUC |
| 2011-12 | 20120225 | CHINA P RP | 73049000 | SEAMLESS CARBON STEEL PIPES API SPEC 5L B PSL 1 /ASTM A106 B219.1MMX6.35MM | 53.00 | 44,837 | 23,76,378 | PUC |
| 2011-12 | 20120221 | U ARAB EMTS | 73049000 | STOCK LOT IRON PIPES | 52.00 | 30,658 | 15,94,216 | PUC |

**Import Data from DGCIS [All Countries PUC]
Apr 2009 to Jun 2012**

| Year | Date | Country | ITC-HS | Item-Des | Quantity (MT) | Price (Rs./MT) | Value (Rs) | PUC/ NPUC |
|---------|----------|-------------|----------|---|---------------|----------------|-------------|--------------|
| 2011-12 | 20120227 | U K | 73049000 | CARBON STEEL SECONDARY SURPLUS SEAMLESS PIPES | 52.00 | 27,642 | 14,37,392 | PUC |
| 2011-12 | 20120312 | CHINA P RP | 73041110 | SEAMLESS STEEL PIPE E355 (85* 59* X 1178) | 51.95 | 58,345 | 30,30,775 | PUC |
| 2011-12 | 20120301 | QATAR | 73049000 | SECONDARY CARBON STEEL PIPES SEAMLESS/ WELDED MIXED LOT | 51.00 | 28,030 | 14,29,534 | PUC |
| 2011-12 | 20120301 | SAUDI ARAB | 73049000 | SECONDARY CARBON STEEL PIPES SEAMLESS/WELDED MIXED THICKNESSMIXED LOT | 51.00 | 27,802 | 14,17,879 | PUC |
| 2011-12 | 20120305 | CHINA P RP | 73045110 | CARBON STEEL SEAMLESS MOTHER PIPES (HOT FINISH) AS PER DIN17175 ST35.8 - SIZE: | 51.00 | 55,971 | 28,54,499 | PUC |
| 2011-12 | 20120310 | CHINA P RP | 73043919 | CARBON STEEL SEAMLESS TUBE ASTM A 106 (SIZE 80 X 4 X 7000 -9000) | 51.00 | 47,653 | 24,30,305 | PUC |
| 2011-12 | 20120209 | CHINA P RP | 73049000 | SECONDARY/DEFECTIVE CARBON STEEL SEAMLESS PIPE | 51.00 | 28,435 | 14,50,200 | PUC |
| 2011-12 | 20120324 | CHINA P RP | 73041110 | SEAMLESS STEEL PIPE (E355)(103.5 * 76.5 * 1450) | 50.66 | 56,389 | 28,56,766 | PUC |
| 2011-12 | 20120321 | CHINA P RP | 73049000 | CARBON STEEL SEAMLESS PIPE (38 MM O/D X 12 MM W/T) (USED FOR OIL OR GAS) | 50.37 | 42,484 | 21,39,877 | PUC |
| 2011-12 | 20120309 | CHINA P RP | 73049000 | CARBON STEEL SEAMLESS PIPES (508*32MM) | 50.00 | 46,268 | 23,13,422 | PUC |
| 2011-12 | 20120218 | CHINA P RP | 73049000 | CARBON STEEL SEAMLESS PIPE ASTM 106B 114X8 | 50.00 | 40,272 | 20,13,622 | PUC |
| 2011-12 | 20120322 | CHINA P RP | 73049000 | SECONDARY SECOND CHOICE CARBON STEEL SEAMLESS PIPES | 50.00 | 27,899 | 13,94,952 | PUC |
| 2011-12 | 20120218 | U S A | 73042390 | OILWELL SUPPLIES DRILLPIPE, 5-1/2 IN OD X 0.361 IN WALL 31 FT LONG GRADE S-135 | 49.94 | 4,13,852 | 2,06,67,931 | PUC |
| 2011-12 | 20120315 | CHINA P RP | 73049000 | SEAMLESS STEEL TUBE FOR | 49.70 | 64,714 | 32,16,286 | PUC |
| 2011-12 | 20120322 | U S A | 73049000 | CARBON STEEL PIPES (SECONDARY DEFECTIVE) NON ALLOY | 49.00 | 29,124 | 14,27,078 | PUC |
| 2011-12 | 20120305 | U S A | 73049000 | SECONDARY M.S. SEAMLESS PIPE DIFFERENT SIZE | 49.00 | 28,320 | 13,87,663 | PUC |
| 2011-12 | 20120309 | CHINA P RP | 73049000 | SEAMLESS CARBON STEEL PIPE | 49.00 | 36,632 | 17,94,972 | PUC |
| 2011-12 | 20120314 | CHINA P RP | 73043919 | CARBON STEEL SEAMLESS TUBES TO SAE - 1010 (SIZE 30 X 4.0 X4500 - 5800 MM) | 48.65 | 43,472 | 21,14,956 | PUC |
| 2011-12 | 20120320 | CHINA P RP | 73043119 | CARBON SEAMLESS STEEL TUBES SA334 GR.6 (SIZE: (MM) 25 ODX2.5WT (MIN) X 9000 LG- | 48.60 | 58,758 | 28,55,328 | PUC |
| 2011-12 | 20120313 | GERMANY | 73043119 | COLD DRAWN SEAMLESS CARBON STEEL TUBES ST 37.4 (SIZE : 35.0X 4.5 X10000-12000MM | 48.00 | 2,24,250 | 1,07,63,992 | PUC |
| 2011-12 | 20120301 | SAUDI ARAB | 73049000 | SECONDARY CARBON STEEL PIPES SEAMLESS/WELDED MIXED THICKNESSMIXED LOT | 46.00 | 27,784 | 12,78,045 | PUC |
| 2011-12 | 20120301 | CHINA P RP | 73049000 | CARBON STEEL SEAMLESS PIPES ASTM A106/API 5L GR.B | 45.00 | 36,696 | 16,51,308 | PUC |
| 2011-12 | 20120315 | CHINA P RP | 73049000 | CARBON STEEL PIPES (SECONDARY DEFECTIVE) NON ALLOY | 45.00 | 28,245 | 12,71,042 | PUC |
| 2011-12 | 20120301 | CHINA P RP | 73049000 | SECONDARY SECOND CHOICE CARBON STEEL SEAMLESS/WELDED PIPES | 45.00 | 27,998 | 12,59,903 | PUC |
| 2011-12 | 20120223 | CHINA P RP | 73043919 | CARBON STEEL SEAMLESS MOTHER PIPE(SY2011-1110/PO1186)(SIZE: 25MM X 2.5MM X 1100 | 44.66 | 58,109 | 25,95,149 | PUC |
| 2011-12 | 20120319 | ITALY | 73049000 | COLD DRAWN SEAMLESS STEEL TUBE130,50 X7,75 E355 +SR4000-5800 | 44.54 | 89,844 | 40,02,003 | PUC |
| 2011-12 | 20120314 | U S A | 73049000 | M S PIPE | 44.00 | 32,564 | 14,32,826 | PUC |
| 2011-12 | 20120312 | CHINA P RP | 73043119 | COLD DRAWN SEAMLESS STEEL TUBE 25*16.2*5800MM;24*14.2*5800MM;21*14.2*5800MM;20. | 43.92 | 62,386 | 27,39,862 | PUC |
| 2011-12 | 20120301 | CHINA P RP | 73045120 | SEAMLESS HOT FINISHED CARBON STEEL PIPES ASME SA-106 GR. B SIZE 219.1 X 18.26 | 43.79 | 51,873 | 22,71,643 | PUC |
| 2011-12 | 20120320 | CHINA P RP | 73045110 | BEARING QUALITY STEEL TUBE SAE-52100 AND SUJ-3 (6206 IR) SIZE 41.25 X 6 MM | 43.73 | 85,930 | 37,58,081 | PUC |
| 2011-12 | 20120224 | U ARAB EMTS | 73049000 | M.S DEFECTIVE PIPES | 43.00 | 28,170 | 12,11,313 | PUC |
| 2011-12 | 20120324 | CHINA P RP | 73041110 | SEAMLESS STEEL PIPE (E355)(85 * 59 *1178) | 42.97 | 56,468 | 24,26,204 | PUC |
| 2011-12 | 20120314 | CHINA P RP | 73043139 | PRIME CARBON STEEL SEAMLESS PIPES, GRADE ASTM A106 GR.B/API5L GR.B, SIZE:168.3M | 40.00 | 41,036 | 16,41,433 | PUC |
| 2011-12 | 20120222 | U S A | 73049000 | SECONDARY SECOND CHOICE CARBON STEEL SEAMLESS/WELDED PIPES | 39.00 | 28,290 | 11,03,321 | PUC |
| 2011-12 | 20120315 | CHINA P RP | 73049000 | CARBON STEEL PIPES (SECONDARY DEFECTIVE) NON ALLOY | 37.00 | 28,570 | 10,57,096 | PUC |
| 2011-12 | 20120326 | CHINA P RP | 73041990 | HOT ROLLED SEAMLESS STEEL PIPES FOR GAS CYLINDER USING RAW MATERIAL FULFILLS TH | 36.00 | 70,783 | 25,48,186 | PUC |
| 2011-12 | 20120322 | U ARAB EMTS | 73049000 | M.S DEFECTIVE PIPES | 35.00 | 27,690 | 9,69,156 | PUC |
| 2011-12 | 20120309 | CHINA P RP | 73049000 | PRIME NEW SEAMLESS STEEL TUBES (GRADE 100 CR6) (SIZE:120.00OD MM X 97.30 ID MM) | 35.00 | 77,846 | 27,24,612 | PUC |
| 2011-12 | 20120310 | CHINA P RP | 73049000 | CARBON STEEL PIPES (SECONDARY DEFECTIVE) NON ALLOY | 35.00 | 28,225 | 9,87,887 | PUC |
| 2011-12 | 20120227 | CHINA P RP | 73042390 | HRQ DRILL ROD OF 3MTR.(DTLS. AS PER INV.)200PCS | 34.20 | 1,95,388 | 66,83,049 | PUC |
| 2011-12 | 20120208 | CHINA P RP | 73043119 | COLD DRAWN STEEL TUBE (113 X 6.75 X 5000 MM) | 34.00 | 76,397 | 25,97,501 | PUC |

**Import Data from DGCIS [All Countries PUC]
Apr 2009 to Jun 2012**

| Year | Date | Country | ITC-HS | Item-Des | Quantity (MT) | Price (Rs./MT) | Value (Rs) | PUC/ NPUC |
|---------|----------|-------------|----------|---|---------------|----------------|------------|--------------|
| 2011-12 | 20120306 | CHINA P RP | 73042990 | SEAMLESS STEEL PIPES 6 *SCH40 | 33.00 | 49,370 | 16,29,217 | PUC |
| 2011-12 | 20120307 | JAPAN | 73049000 | CARBON STEEL SEAMLESS PIPES API 5LX60 PSL2 PIPE | 32.00 | 51,798 | 16,57,532 | PUC |
| 2011-12 | 20120305 | CHINA P RP | 73043919 | COLD DRAWN SEAMLESS STEEL TUBES, ST 35, BK(SIZE : 15.88 MM X 1.60 MM X 5100M-58 | 32.00 | 73,032 | 23,37,011 | PUC |
| 2011-12 | 20120319 | ITALY | 73049000 | COLD DRAWN SEAMLESS STEEL TUBE130,50 X7,75 E355 +SR4000-5800 | 31.42 | 1,24,073 | 38,98,965 | PUC |
| 2011-12 | 20120312 | CHINA P RP | 73045110 | STEEL TUBE DIA 4.76, 0.55MM WITH ZINC COATED | 31.42 | 76,967 | 24,18,130 | PUC |
| 2011-12 | 20120320 | CHINA P RP | 73045110 | STEEL TUBE DIA 4.76, 0.55MM WITH ZINC COATED | 31.42 | 76,967 | 24,18,130 | PUC |
| 2011-12 | 20120203 | CHINA P RP | 73042990 | BW LEFT HAND ROD WITH COUPLING 3M LENGTH | 30.67 | 99,695 | 30,57,259 | PUC |
| 2011-12 | 20120302 | FRANCE | 98010013 | HOT FINISHED SEAMLESS CARBON STEEL PIPES(TO SPEC SA 106)SIZE AS PER INVOICE S3 | 30.00 | 83,960 | 25,18,788 | PUC |
| 2011-12 | 20120305 | U ARAB EMTS | 73049000 | M S PIPE | 30.00 | 25,044 | 7,51,334 | PUC |
| 2011-12 | 20120314 | CHINA P RP | 73049000 | ROUND TUBE DIA 177.8 X 12.5 SEAMLESS (75 PCS) | 30.00 | 52,716 | 15,81,472 | PUC |
| 2011-12 | 20120316 | CHINA P RP | 73041990 | SEAMLESS STEEL PIPE OD: 219MM WT: 40MM LENGTH: 4-5.8 | 30.00 | 43,496 | 13,04,891 | PUC |
| 2011-12 | 20120312 | CHINA P RP | 73041110 | SEAMLESS STEEL PIPE E355 (85 * 59* 1178) | 29.96 | 58,649 | 17,57,114 | PUC |
| 2011-12 | 20120306 | CONGO P REP | 73043911 | SECONDARY CARBON STEEL PIPE (DEFECTIVE) | 29.00 | 27,665 | 8,02,289 | PUC |
| 2011-12 | 20120307 | CHINA P RP | 73041990 | HOT ROLLED SEAMLESS STEEL PIPES FOR GAS CYLINDER USING RAW MATERIAL FULFILLS TH | 29.00 | 70,398 | 20,41,539 | PUC |
| 2011-12 | 20120315 | U K | 73049000 | SECONDARY SECOND CHOICE CARBON STEEL SEAMLESS/WELDED PIPES | 28.00 | 28,071 | 7,85,974 | PUC |
| 2011-12 | 20120303 | U ARAB EMTS | 73049000 | M S PIPE | 28.00 | 25,361 | 7,10,121 | PUC |
| 2011-12 | 20120223 | U ARAB EMTS | 73049000 | SECONDARY DEFECTIVE M.S. SEAMLESS PIPE | 27.00 | 27,676 | 7,47,240 | PUC |
| 2011-12 | 20120305 | U ARAB EMTS | 73049000 | SECONDARY SECOND CHOICE CARBON STEEL SEAMLESS PIPE MIXED SIZE MIX LOT | 27.00 | 27,654 | 7,46,659 | PUC |
| 2011-12 | 20120312 | U ARAB EMTS | 73049000 | SECONDARY SECOND CHOICE CARBON STEEL SEAMLESS PIPE MIXED SIZE | 27.00 | 24,211 | 6,53,709 | PUC |
| 2011-12 | 20120315 | CHINA P RP | 73049000 | SECONDARY/DEFECTIVE CARBON STEEL SEAMLESS PIPES | 27.00 | 27,709 | 7,48,154 | PUC |
| 2011-12 | 20120315 | KOREA RP | 73049000 | SECONDARY CARBON STEEL SEAMLESS PIPES | 26.00 | 30,402 | 7,90,463 | PUC |
| 2011-12 | 20120315 | JAPAN | 73049000 | SECONDARY CARBON STEEL SEAMLESS PIPES | 26.00 | 30,047 | 7,81,223 | PUC |
| 2011-12 | 20120220 | U ARAB EMTS | 73049000 | SECONDARY SECOND CHOICE CARBON STEEL SEAMLESS PIPE | 26.00 | 28,920 | 7,51,927 | PUC |
| 2011-12 | 20120301 | SAUDI ARAB | 73049000 | SECONDARY CARBON STEEL PIPES SEAMLESS/WELDED MIXED THICKNESSMIXED LOT | 26.00 | 28,394 | 7,38,246 | PUC |
| 2011-12 | 20120316 | CHINA P RP | 73041110 | SEAMLESS STEEL PIPE (SIZE:ID 140MM,OD 159MM, WT 9.5MM) | 26.00 | 79,150 | 20,57,909 | PUC |
| 2011-12 | 20120308 | CHINA P RP | 73043139 | NON ALLOY STEEL SEAMLESS PIPES API 5L GRADE X52 PSL2219.1MMX15.09MM | 26.00 | 70,122 | 18,23,177 | PUC |
| 2011-12 | 20120305 | CHINA P RP | 73045110 | CARBON STEEL SEAMLESS MOTHER PIPES (HOT FINISH) AS PER ASTM106 GR.B - SIZE: OD | 26.00 | 51,354 | 13,35,211 | PUC |
| 2011-12 | 20120312 | CHINA P RP | 73045110 | FULLY KILLED CARBON STEEL SEAMLESS MOTHER PIPES (HOT FINISH) | 26.00 | 47,825 | 12,43,450 | PUC |
| 2011-12 | 20120303 | CHINA P RP | 73049000 | SEAMLESS PIPE (CARBON STEEL) , OD(MM)-193.7 , WT(MM)-6.35 ,LENGTH(M)-4-5.8,(170 | 26.00 | 44,195 | 11,49,062 | PUC |
| 2011-12 | 20120225 | CHINA P RP | 73049000 | SEAMLESS CARBON STEEL PIPES API SPEC 5L B PSL 1 /ASTM A106 B168.3MMX7.11MM | 26.00 | 42,909 | 11,15,628 | PUC |
| 2011-12 | 20120309 | CHINA P RP | 73041990 | CARBON STEEL SEAMLESS PIPES AS PER ASTM A 106 GR.B,BARE PIPE(SIZE :121*12MM) | 26.00 | 40,919 | 10,63,902 | PUC |
| 2011-12 | 20120302 | CHINA P RP | 73041910 | SEAMLESS STEEL PIPES 219 X 8 ASTM A 106-B/A53-B | 26.00 | 39,366 | 10,23,512 | PUC |
| 2011-12 | 20120307 | CHINA P RP | 73049000 | CARBON STEEL SEAMLESS PIPES ASTM A 106-B | 26.00 | 35,356 | 9,19,247 | PUC |
| 2011-12 | 20120307 | CHINA P RP | 73049000 | CARBON STEEL SEAMLESS PIPES ASTM A 106-B | 26.00 | 34,665 | 9,01,295 | PUC |
| 2011-12 | 20120319 | CHINA P RP | 73049000 | SECONDARY MILD STEEL SEAMLESS PIPES MIXED LENGTHS | 26.00 | 33,031 | 8,58,799 | PUC |
| 2011-12 | 20120314 | CHINA P RP | 73049000 | SECONDARY/DEFECTIVE CARBON STEEL SEAMLESS PIPES | 26.00 | 27,975 | 7,27,361 | PUC |
| 2011-12 | 20120303 | CHINA P RP | 73042990 | CASING PIPE 9-5/8 47PPF L-80 BTC (26.007 MTS) (31 PCS) (INVOICE NO.MUL/ONGC/69 | 25.65 | 57,929 | 14,85,929 | PUC |
| 2011-12 | 20120301 | CHINA P RP | 73045130 | SEAMLESS HOT FINISHED CARBON STEEL PIPES ASME SA-106 GR. B SIZE 273.1 X 15.09 | 25.26 | 51,882 | 13,10,477 | PUC |
| 2011-12 | 20120322 | ITALY | 73043121 | COLD DRAWN SAMLESS CYLINDER TUBES (E 355 + SREN 10305/1) READY FOR HONING MM 17 | 25.20 | 1,33,561 | 33,65,210 | PUC |
| 2011-12 | 20120312 | ROMANIA | 73049000 | SECONDARY SEAMLESS CARBON STEEL PIPES | 25.00 | 39,242 | 9,81,061 | PUC |
| 2011-12 | 20120228 | U ARAB EMTS | 73049000 | SECONDARY SECOND CHOICE CARBON STEEL SEAMLESS PIPE | 25.00 | 28,485 | 7,12,128 | PUC |

**Import Data from DGCIS [All Countries PUC]
Apr 2009 to Jun 2012**

| Year | Date | Country | ITC-HS | Item-Des | Quantity (MT) | Price (Rs./MT) | Value (Rs) | PUC/ NPUC |
|---------|----------|-------------|----------|---|---------------|----------------|------------|--------------|
| 2011-12 | 20120228 | U ARAB EMTS | 73049000 | SECONDARY SECOND CHOICE CARBON STEEL SEAMLESS PIPE | 25.00 | 28,360 | 7,09,001 | PUC |
| 2011-12 | 20120312 | FRANCE | 73049000 | SECONDARY SECOND CHOICE CARBON STEEL SEAMLESS PIPE MIXED SIZE | 25.00 | 24,309 | 6,07,736 | PUC |
| 2011-12 | 20120309 | CHINA P RP | 73043911 | SEAMLESS TUBULARS (ASTM A333 GRADE 6 X52 PSL1) SIZE: 12 DIA (C.O.: ITALY) | 25.00 | 1,71,922 | 42,98,062 | PUC |
| 2011-12 | 20120302 | CHINA P RP | 73042400 | SEAMLESS CARBON STEEL PIPES : 54X5 MM GRADE B | 25.00 | 43,562 | 10,89,040 | PUC |
| 2011-12 | 20120302 | CHINA P RP | 73041990 | CARBON STEEL SEAMLESS PIPES AS PER ASTM A106/API 5L GR.B 6 SCH40 OD168.3 WT 7-1 | 25.00 | 42,807 | 10,70,172 | PUC |
| 2011-12 | 20120209 | CHINA P RP | 73041190 | SEAMLESS PIPES (89 X 11 MM) | 25.00 | 40,860 | 10,21,509 | PUC |
| 2011-12 | 20120302 | CHINA P RP | 73049000 | CARBON STEEL SEAMLESS PIPES API SPEC 5L B PSL1/ASTM A 106 B | 25.00 | 36,526 | 9,13,160 | PUC |
| 2011-12 | 20120312 | CHINA P RP | 73049000 | CARBON STEEL SEAMLESS PIPES ASTM A 106-B | 25.00 | 34,996 | 8,74,891 | PUC |
| 2011-12 | 20120319 | CHINA P RP | 73049000 | SECONDARY MILD STEEL SEAMLESS PIPES MIXED SIZES | 25.00 | 29,733 | 7,43,333 | PUC |
| 2011-12 | 20120228 | GERMANY | 73041910 | HOT FINISHED SEAMLESS LINE LINE PIPES (OD 114.30 X WT 11.10MM, 72 PCS) (CLG AGA | 24.93 | 1,54,794 | 38,58,297 | PUC |
| 2011-12 | 20120308 | CHINA P RP | 73049000 | SEAMLESS TUBE-#Q345B/100X50X8.8&8-10M (158PCS)(FOR CONCRETE MACHINERY) | 24.64 | 62,462 | 15,38,760 | PUC |
| 2011-12 | 20120309 | CHINA P RP | 73043119 | SEAMLESS STEEL TUBES ASTM A 106 GR B OR GB/T 816320 SIZE :127MM X 10MM LENGTH | 24.21 | 40,014 | 9,68,739 | PUC |
| 2011-12 | 20120227 | JAPAN | 73049000 | SECONDARY SEAMLESS CARBON STEEL PIPES | 24.00 | 39,399 | 9,45,571 | PUC |
| 2011-12 | 20120315 | QATAR | 73049000 | SECONDARY DEFECTIVE CARBON STEEL SEAMLESS PIPE | 24.00 | 28,263 | 6,78,315 | PUC |
| 2011-12 | 20120305 | QATAR | 73049000 | SECONDARY CARBON STEEL SEAMLESS PIPES/WELDED MIXED LOT | 24.00 | 27,830 | 6,67,908 | PUC |
| 2011-12 | 20120312 | FRANCE | 73049000 | SECONDARY SECOND CHOICE CARBON STEEL SEAMLESS PIPE MIXED SIZE | 24.00 | 26,570 | 6,37,690 | PUC |
| 2011-12 | 20120312 | CHINA P RP | 73045110 | BEARING QUALITY STEEL TUBE SAE 52100 SZIE 35.9* 4.8 | 23.32 | 72,371 | 16,87,836 | PUC |
| 2011-12 | 20120312 | CHINA P RP | 73045110 | COLD DRAWN READY TO HONE PRECISION TUBE (90X108) | 23.28 | 34,086 | 7,93,445 | PUC |
| 2011-12 | 20120228 | FRANCE | 73049000 | CARBON STEEL SEAMLESS TUBES (SA 210C) | 23.10 | 71,874 | 16,60,289 | PUC |
| 2011-12 | 20120223 | ITALY | 73049000 | SECONDARY CARBON STEEL SEAMLESS/WELDED PIPES | 23.00 | 30,225 | 6,95,167 | PUC |
| 2011-12 | 20120221 | QATAR | 73049000 | SECONDARY CARBON STEEL SEAMLESS PIPES/WELDED MIXED LOT | 23.00 | 29,034 | 6,67,780 | PUC |
| 2011-12 | 20120221 | QATAR | 73049000 | SECONDARY CARBON STEEL SEAMLESS PIPES/WELDED MIXED LOT | 23.00 | 28,008 | 6,44,184 | PUC |
| 2011-12 | 20120308 | U S A | 73069090 | COLD DRAWN SEAMLESS SRA (C-4130 ASTM A519) (132.65 MM ODX94.55 MM ID) (RTMQJNKO | 22.85 | 2,99,426 | 68,41,881 | PUC |
| 2011-12 | 20120308 | ROMANIA | 73043139 | INSIDE HONED TUBE ST52.3 BK+SDIN2391 DIA.115X100H8 | 22.38 | 75,384 | 16,87,254 | PUC |
| 2011-12 | 20120302 | U S A | 73049000 | SECONDARY SECOND CHOICE CARBON STEEL SEAMLESS/WELDED PIPES | 22.00 | 27,921 | 6,14,265 | PUC |
| 2011-12 | 20120224 | CHINA P RP | 73049000 | CARBON STEEL SEAMLESS PIPES AS PER ASTM A106 GR.B/API 5L/A53GR.B | 22.00 | 47,008 | 10,34,170 | PUC |
| 2011-12 | 20120302 | CHINA P RP | 73043119 | CARBON STEEL SEAMLESS PIPES (48.3X7.14X5800MM) | 22.00 | 34,709 | 7,63,596 | PUC |
| 2011-12 | 20120220 | U S A | 73041990 | OIL WELL EQUIPMENT: STEEL PIPE TO API 5L B PSL 1 [37.17 MTRS] | 21.58 | 2,35,027 | 50,70,708 | PUC |
| 2011-12 | 20120203 | KOREA RP | 73049000 | EQUIPMENT AND MATERIALS FOR MATIX FERTILIZER PROJECT:SUPPLYOF SEAMLESS ALLOY PI | 21.30 | 2,65,458 | 56,55,062 | PUC |
| 2011-12 | 20120305 | CHINA P RP | 73045110 | STEEL TUBE DIA 4.76 X 0.60 MM WITH COPPER COATED (FOR REFRIGERATOR) | 21.01 | 66,186 | 13,90,483 | PUC |
| 2011-12 | 20120303 | JAPAN | 73049000 | SECONDARY M.S. SEAMLESS PIPE DIFFERENT SIZE | 21.00 | 27,642 | 5,80,486 | PUC |
| 2011-12 | 20120326 | CHINA P RP | 73043119 | SEAMLESS COLD DRAWN TUBES GRADE: SAE 52100 SIZES 36.80 X 5.05 MM [C 0.95 SI 0.2 | 21.00 | 67,299 | 14,13,274 | PUC |
| 2011-12 | 20120227 | THAILAND | 73043129 | NON ALLOY STEEL SEAMLESS PIPES API 5L GRADE B 194MMX10MM | 20.00 | 55,131 | 11,02,614 | PUC |
| 2011-12 | 20120228 | ITALY | 73049000 | SECONDARY CARBON STEEL SEAMLESS/WELDED PIPES | 20.00 | 29,397 | 5,87,942 | PUC |
| 2011-12 | 20120326 | CHINA P RP | 73043911 | CARBON STEEL SEAMLESS PIPEASTM A106 33.4X6.35X5000-6000 | 20.00 | 52,921 | 10,58,419 | PUC |
| 2011-12 | 20120220 | GERMANY | 73043919 | GSB 318-1 HMDS LANCE JINDAL SOUTH WEST DRAW NO. GSB 12000318 (20PCS) | 19.69 | 43,190 | 8,50,575 | PUC |
| 2011-12 | 20120228 | CHINA P RP | 73043139 | SKIVED & BURNISHED TUBES ST 52 OR P20 BK +S CONDITION ID-220 X OD-245 | 19.13 | 58,054 | 11,10,696 | PUC |
| 2011-12 | 20120314 | CHINA P RP | 73043939 | SEAMLESS CARBON STEEL PIPES - GRADE:API SPEC 5L B PSL 1/ASTM A106 B, SIZE: 88.9 | 19.00 | 43,617 | 8,28,721 | PUC |
| 2011-12 | 20120312 | CHINA P RP | 73045120 | COLD DRAWN READY TO HONE PRECISION TUBE (180X210) | 19.00 | 31,653 | 6,01,411 | PUC |
| 2011-12 | 20120305 | CHINA P RP | 73041990 | SEAMLESS STEEL LINE PIPES 168.3 MM X 14.3 MM (14 NOS) | 18.63 | 1,56,241 | 29,11,494 | PUC |
| 2011-12 | 20120307 | GERMANY | 73044100 | SEAMLESS COLD-DRAWN SINGLE-WALL STEEL TUBES O.D.6.35MM I.D.1.80MM | 18.23 | 2,95,912 | 53,93,315 | PUC |

**Import Data from DGCIS [All Countries PUC]
Apr 2009 to Jun 2012**

| Year | Date | Country | ITC-HS | Item-Des | Quantity (MT) | Price (Rs./MT) | Value (Rs) | PUC/ NPUC |
|---------|----------|-------------|----------|---|---------------|----------------|------------|--------------|
| 2011-12 | 20120312 | FRANCE | 73049000 | SECONDARY SECOND CHOICE CARBON STEEL SEAMLESS PIPE MIXED SIZE | 18.00 | 37,590 | 6,76,618 | PUC |
| 2011-12 | 20120222 | U ARAB EMTS | 73049000 | CARBON STEEL PIPE FITTING MIX SIZE STOCK LOT | 18.00 | 31,072 | 5,59,301 | PUC |
| 2011-12 | 20120322 | U ARAB EMTS | 73049000 | M.S DEFECTIVE PIPES | 18.00 | 27,987 | 5,03,764 | PUC |
| 2011-12 | 20120301 | CHINA P RP | 73043911 | CARBON STEEL SEAMLESS BLACK PIPE1 1/2 SCH40 6-7M | 18.00 | 45,242 | 8,14,359 | PUC |
| 2011-12 | 20120301 | JAPAN | 73049000 | SEAMLESS ALLOY STEEL TUBES JIS G3441 SCM415TK 34.00MM OD X 26.00MM ID X 5M | 17.57 | 1,69,102 | 29,71,295 | PUC |
| 2011-12 | 20120127 | CHINA P RP | 73041910 | PLAIN END SEAMLESS PIPES OF SIZE: 2-7/8 OD {1397.260 MTRS =17.495 MTS (OR) 148 | 17.50 | 56,470 | 9,87,938 | PUC |
| 2011-12 | 20120320 | CHINA P RP | 73043931 | PIPE B-36. 10, ASTM A 106 GR. B, BE, SEAMLESS,IBR, 10.0 INCH, STD SEAMLESS PIPE | 16.36 | 47,429 | 7,75,884 | PUC |
| 2011-12 | 20120229 | CHINA P RP | 73041910 | M.S. PIPES (CORE BIT PIPES) - SIZE: 223*2.5*445, DRAWING: HMI-TB-0004, PART:21 | 16.19 | 75,154 | 12,16,610 | PUC |
| 2011-12 | 20120308 | JAPAN | 73041910 | C.R ALLOY STEEL TUBE FOR BEARINGS- SUJ2ZJC OD 64.70 MM X WT 8.05 MM | 16.00 | 1,18,904 | 19,02,458 | PUC |
| 2011-12 | 20120106 | CHINA P RP | 73043119 | COLD DRAWN STEEL TUBE (113.00X99.5MM) | 16.00 | 83,715 | 13,39,434 | PUC |
| 2011-12 | 20120228 | CHINA P RP | 73049000 | CARBON STEEL SEAMLESS PIPE ASTM A 106 GR B / API 5L GR B SIZE 88.9 X 4.5 | 16.00 | 44,509 | 7,12,137 | PUC |
| 2011-12 | 20120310 | CHINA P RP | 73049000 | CARBON STEEL PIPES (SECONDARY DEFECTIVE) NON ALLOY | 16.00 | 28,189 | 4,51,019 | PUC |
| 2011-12 | 20120313 | ITALY | 73049000 | COLD DRAWN SEAMLESS STEEL TUBES-130.50X7.75 E355SR 4000-5800 | 15.82 | 1,28,620 | 20,34,513 | PUC |
| 2011-12 | 20120301 | CHINA P RP | 73043119 | COLD DRAWN SEAMLESS STEEL TUBE31.2*8.5*5800 | 15.24 | 60,006 | 9,14,608 | PUC |
| 2011-12 | 20120326 | CHINA P RP | 73043119 | COLD DRAWN STEEL TUBE 73X63X560MM | 15.00 | 81,795 | 12,26,922 | PUC |
| 2011-12 | 20120322 | U S A | 73069090 | COLD DRAWN SEAMLESS TUBE (RTMQJNK09521333) (SIZE: 133.35 MMOD X 95.25 MM ID) | 14.07 | 4,71,228 | 66,31,974 | PUC |
| 2011-12 | 20120227 | ROMANIA | 73043911 | SEAMLESS CARBON STEEL TUBES(TO SPEC SA 192)SIZE AS PER INVOICE | 14.00 | 84,405 | 11,81,670 | PUC |
| 2011-12 | 20120229 | CHINA P RP | 73043139 | CDS READY TO HONE TUBE (OD 244.5 MM X ID 190 MM X 4780 MM) QTY 95.60 METER | 14.00 | 96,915 | 13,56,807 | PUC |
| 2011-12 | 20120309 | CHINA P RP | 73049000 | PRIME NEW SEAMLESS STEEL TUBES (GRADE 100 CR6) (SIZE:104.5OD MM X 85.9 ID MM) | 14.00 | 77,037 | 10,78,522 | PUC |
| 2011-12 | 20120301 | CHINA P RP | 73043119 | CARBON STEEL SEAMLESS TUBES (SIZE = 63 MM OD X 49.6 MM ID XLENGTH 5000-6000 MM) | 13.90 | 66,690 | 9,27,257 | PUC |
| 2011-12 | 20120309 | CHINA P RP | 73049000 | SEAMLESS TUBE-#Q345B/160X80X8&8-10M (26 PCS)(FOR CONCRETE MACHINERY) | 13.78 | 64,842 | 8,93,521 | PUC |
| 2011-12 | 20120319 | JAPAN | 73049000 | SEAMLESS ALLOY STEEL TUBES JIS G3441 SCM415TK 32.80MM OD X 24.60MM ID X 5M | 13.72 | 1,68,975 | 23,18,169 | PUC |
| 2011-12 | 20120229 | CHINA P RP | 73043139 | CDS READY TO HONE TUBE (OD 260.35 X ID 226X5225 MM) QTY 15.675 METER | 13.51 | 1,37,556 | 18,58,517 | PUC |
| 2011-12 | 20120305 | PUERTO RICO | 73045110 | BEARING QUALITY STEEL TUBE SAE52100 SIZE : 65.5*7.1 MM | 13.42 | 68,172 | 9,14,800 | PUC |
| 2011-12 | 20120208 | CHINA P RP | 73043129 | COLD DRAWN STEEL TUBE (137 X 6.25 X 5712 MM) | 13.00 | 76,381 | 9,92,956 | PUC |
| 2011-12 | 20120324 | CHINA P RP | 73042400 | SEAMLESS STEEL PIPE 36X4 MMSEAMLESS STEEL PIPE 36X4 MM | 13.00 | 59,100 | 7,68,305 | PUC |
| 2011-12 | 20120313 | CHINA P RP | 73043911 | SEAMLESS TUBULARS (API 5L GRADE X52 PSL2) SIZE: 4 DIA | 12.00 | 1,48,907 | 17,86,881 | PUC |
| 2011-12 | 20120305 | CHINA P RP | 73043919 | SEAMLESS STEEL TUBES(GRADE C-45) (SIZE 31.9 MM+- 0.15MM X 15.50MM +- 0.15MM) | 12.00 | 63,244 | 7,58,922 | PUC |
| 2011-12 | 20120301 | CHINA P RP | 73043119 | HONED TUBE (OD 73MM X ID 63MM X R/L) | 11.68 | 68,030 | 7,94,311 | PUC |
| 2011-12 | 20120308 | CHINA P RP | 73049000 | SEAMLESS TUBE-Q345B/120X60X7&8-10M (20PCS) (FOR CONCRETE MACHINERY) | 11.40 | 61,978 | 7,06,554 | PUC |
| 2011-12 | 20120224 | U ARAB EMTS | 73049000 | M.S DEFECTIVE PIPES | 10.00 | 29,027 | 2,90,270 | PUC |
| 2011-12 | 20120320 | U S A | 73042390 | SHORT DRILL PIPES ACCORDING TO GRADE G-105, (65 JTS) | 9.20 | 1,56,163 | 14,36,228 | PUC |
| 2011-12 | 20120308 | CHINA P RP | 73043119 | NON ALLOY STEEL SEAMLESS PIPES API 5L GRADE B 88.9MMX7.62MM | 9.00 | 1,09,215 | 9,82,933 | PUC |
| 2011-12 | 20120308 | CHINA P RP | 73043129 | NON ALLOY STEEL SEAMLESS PIPES API 5L GRADE X52 PSL2219.1MMX15.09MM | 9.00 | 70,342 | 6,33,077 | PUC |
| 2011-12 | 20120326 | CHINA P RP | 73041990 | HOT ROLLED SEAMLESS STEEL PIPES FOR GAS CYLINDER USING RAW MATERIAL FULFILLS TH | 9.00 | 61,060 | 5,49,538 | PUC |
| 2011-12 | 20120227 | CHINA P RP | 73041110 | SEAMLESS TUBES(L80 TUBING) PROCESS:BORING OF ID TO 2.385- SIZE3.240 ODX17.541 F | 8.15 | 66,860 | 5,44,842 | PUC |
| 2011-12 | 20120307 | CHINA P RP | 73041990 | HOT ROLLED SEAMLESS STEEL PIPES FOR GAS CYLINDER USING RAW MATERIAL FULFILLS TH | 8.00 | 59,088 | 4,72,702 | PUC |
| 2011-12 | 20120316 | CHINA P RP | 73049000 | CARBON STEEL SEAMLESS PIPE A 106 B 200 DN | 8.00 | 52,103 | 4,16,826 | PUC |
| 2011-12 | 20120321 | CHINA P RP | 73043919 | CARBON STEEL SEAMLESS TUBES ASTM A 179(33.4 MM X 4 MM X 9-10M) | 8.00 | 49,183 | 3,93,465 | PUC |
| 2011-12 | 20120301 | CHINA P RP | 73043911 | CARBON STEEL SEAMLESS BLACK PIPE1 1/2 SCH40 6-7M | 8.00 | 47,407 | 3,79,259 | PUC |
| 2011-12 | 20120229 | CHINA P RP | 73043129 | CDS READY TO HONE TUBE (OD 216 X ID 189X4260 MM) QTY. 4.26 METER | 7.70 | 1,22,451 | 9,42,749 | PUC |

**Import Data from DGCIS [All Countries PUC]
Apr 2009 to Jun 2012**

| Year | Date | Country | ITC-HS | Item-Des | Quantity (MT) | Price (Rs./MT) | Value (Rs) | PUC/ NPUC |
|--------------|-----------|------------|----------|--|---------------|----------------|--------------|--------------|
| 2011-12 | 20120324 | CHINA P RP | 73045110 | BEARING QUALITY STEEL TUBE SAE52100 SIZE : 42.4 MM X 6.1 MM | 7.70 | 64,220 | 4,94,430 | PUC |
| 2011-12 | 20120321 | CHINA P RP | 73049000 | LTCS PIPE (CS PIPES) SIZE : 273.05 MM X 12.7 MM SCH XS LTCS | 7.17 | 1,08,546 | 7,78,489 | PUC |
| 2011-12 | 20120302 | CHINA P RP | 73045110 | CS SEAMLESS TUBES - SA 179 - SIZE:OD25MM X 2.5 WT (MIN) MM X LG 6000MM | 7.09 | 85,515 | 6,06,629 | PUC |
| 2011-12 | 20120301 | CHINA P RP | 73043119 | CARBON STEEL SEAMLESS TUBES (SIZE = 114 MM OD X 99.6 MM ID X LENGTH 5000-6000 M | 7.01 | 66,690 | 4,67,364 | PUC |
| 2011-12 | 20120321 | MALAYSIA | 73041990 | MS PIPE CUTTING DEFECTIVE/SECONDARY | 7.00 | 35,473 | 2,48,313 | PUC |
| 2011-12 | 20120326 | CHINA P RP | 73043129 | COLD DRAWN STEEL TUBE 117.50X100X4420MM | 7.00 | 84,213 | 5,89,494 | PUC |
| 2011-12 | 20120301 | CHINA P RP | 73043129 | HYDRAULIC CYLINDER TUBE (SIZE: 210 X 180 MM) | 6.28 | 47,899 | 3,00,704 | PUC |
| 2011-12 | 20120227 | THAILAND | 73043119 | NON ALLOY STEEL SEAMLESS PIPES API 5L GRADE B 88.9MMX7.62MM | 6.00 | 60,826 | 3,64,954 | PUC |
| 2011-12 | 20120106 | CHINA P RP | 73043129 | COLD DRAWN STEEL TUBE (137.00X124.5MM) | 6.00 | 84,953 | 5,09,718 | PUC |
| 2011-12 | 20120229 | CHINA P RP | 73043129 | CDS READY TO HONE TUBE (OD 215 MM X ID 179 MM X4-5.8 MTR)QTY . 64.26 METER | 5.69 | 93,449 | 5,31,723 | PUC |
| 2011-12 | 20120306 | KOREA RP | 73049000 | ASME SA179 LOW FIN TUBE 25.4OD X 2.77 WT (MIN) X 3,650 MML (CARBON STEEL TUBE)(| 5.64 | 1,82,251 | 10,28,719 | PUC |
| 2011-12 | 20120301 | THAILAND | 73069090 | CARBON STEEL PIPE - 9 X 0.6 X 2200 MM | 5.47 | 1,63,439 | 8,94,143 | PUC |
| 2011-12 | 20120301 | CHINA P RP | 73043119 | COLD DRAWN SEAMLESS STEEL TUBE31.2*8.5*5800 | 5.36 | 60,010 | 3,21,535 | PUC |
| 2011-12 | 20120314 | GERMANY | 73045910 | SEAMLESS ALLOY STEEL TUBESIZE AS PER INVOICE | 5.00 | 1,49,187 | 7,45,933 | PUC |
| 2011-12 | 20120322 | U S A | 73049000 | CARBON STEEL PIPES (SECONDARY DEFECTIVE) NON ALLOY | 5.00 | 30,962 | 1,54,811 | PUC |
| 2011-12 | 20120222 | GERMANY | 73049000 | SECONDARY DEFECTIVE CARBON STEEL SEAMLESS PIPE FITTING & FLANGES | 4.00 | 1,20,958 | 4,83,832 | PUC |
| 2011-12 | 20120303 | CHINA P RP | 73049000 | PIN STEEL TUBE (13.30 X 9.00))SCM415H) (FOR CAPTIVE CONSUMPTION) | 4.00 | 2,28,560 | 9,14,240 | PUC |
| 2011-12 | 20120310 | CHINA P RP | 73041910 | HOT FINISHED CARBON STEEL SEAMLESS PIPES GRADE ASME SA 106 GR.B SIZE: 273 * 6.3 | 4.00 | 54,281 | 2,17,125 | PUC |
| 2011-12 | 20120324 | TAIWAN | 98010011 | PIPE,B-36.10,ASTM A 335 GR.P91,BE,SEAMLESS,IBR,4.0 ICH,XXS,ITEM SI. NO. 7, ITEM | 3.20 | 3,24,796 | 10,39,812 | PUC |
| 2011-12 | 20120321 | GERMANY | 73043129 | SEAMLESS STEEL TUBE MW450KV DIA192/131 X 1985 MM | 3.14 | 1,11,694 | 3,50,249 | PUC |
| 2011-12 | 20120228 | CHINA P RP | 73049000 | HOT ROLLER SMLS TUBE E355 EN10297 DIA: 323.9 X 30MM, LENGTH7.7M (MO 0.01 NI 0.0 | 3.00 | 68,272 | 2,04,816 | PUC |
| 2011-12 | 20120301 | CHINA P RP | 73043129 | CARBON STEEL SEAMLESS TUBES (SIZE = 120 MM OD X 99.6 MM ID X LENGTH 5000-6000 M | 2.30 | 66,690 | 1,53,120 | PUC |
| 2011-12 | 20111201 | GERMANY | 73043939 | CYLINDER TUBES SEAMLESS(HP OD-185.00XID-160.00 H8-IN RANDOM LENGTH) 2PCS (17.26 | 2.11 | 1,59,634 | 3,36,987 | PUC |
| 2011-12 | 20120305 | GERMANY | 73043119 | PRECISION TUBES, SMLS 22,00 MM 2,00MM (102.110 M) | 1.86 | 4,37,931 | 8,14,989 | PUC |
| 2011-12 | 20120301 | CHINA P RP | 73043119 | HYDRAULIC CYLINDER TUBE (SIZE: 90 X 80 MM) | 1.81 | 88,389 | 1,60,326 | PUC |
| 2011-12 | 20120319 | JAPAN | 73049000 | SEAMLESS ALLOY STEEL TUBES JIS G3441 SCM415TK 34.00MM OD X 26.00MM ID X 5M | 1.47 | 1,63,318 | 2,39,261 | PUC |
| 2011-12 | 20120312 | GERMANY | 73043119 | SEAMLESS COLD DRAWN LOW-CARBON STEEL TUBES, SIZE 0.500* O.D. * 0.035*, TOL. O.D | 1.24 | 2,62,001 | 3,23,571 | PUC |
| 2011-12 | 20120322 | GERMANY | 73049000 | PIPE - 10X1.5 X 2000, P.NO. 204.00648710 (HYDRO DYNAMIC COUPLING COMPONENT) (QT | 1.16 | 65,394 | 75,595 | PUC |
| 2011-12 | 20120321 | BELGIUM | 73043919 | CARBON STEEL SEAMLESS PIPE CONF. TO SPECN. SA 333 GR. 6 (EN 10204 3.1) | 0.96 | 1,84,401 | 1,77,394 | PUC |
| 2011-12 | 20120309 | SPAIN | 73049000 | DSS SEAMLESS PIPES - 168.3 X 18.3 ALLOY UNS S31803 | 0.68 | 56,073 | 37,972 | PUC |
| 2011-12 | 20120225 | CHINA P RP | 73041110 | BG-C-200-6180 GB/T4436-1995 6060 SEAMLESS TUBE 25X2.5 (N.C.V.) | 0.61 | 1,33,171 | 81,312 | PUC |
| 2011-12 | 20120301 | CHINA P RP | 73043139 | HYDRAULIC CYLINDER TUBE (SIZE: 220 X 200 MM) | 0.57 | 86,459 | 49,271 | PUC |
| 2011-12 | 20120321 | JAPAN | 73069090 | STEEL TUBE (FOR MFG OF AUTO PARTS)(11009CO X1285)(10.0 X0.7X1285MM) | 0.54 | 7,19,359 | 3,91,925 | PUC |
| 2011-12 | 20120312 | U S A | 73043911 | CS NACE SEAMLESS PIPE (A106 GRB) SIZE: 4 (C.O.: GERMANY) | 0.51 | 2,59,284 | 1,32,235 | PUC |
| 2011-12 | 20120320 | CHINA P RP | 73041990 | PIPE B-36. 10, ASTM A 106 GR. B, BE, SEAMLESS,IBR, 10.0 INCH, STD SEAMLESS PIPE | 0.24 | 1,07,767 | 25,989 | PUC |
| 2011-12 | 20120305 | GERMANY | 73043919 | BOILER TUBES, SMLS 42,40MM 2,60 MM (40.670 M) | 0.24 | 3,62,288 | 85,500 | PUC |
| 2011-12 | 20120306 | GERMANY | 73044900 | TUBE,DIMENSION 5,59 X 0,375 MM- CIRCULAR TUBES | 0.20 | 1,06,490 | 21,298 | PUC |
| 2011-12 | 20120328 | CHINA P RP | 73043139 | STEEL TUBE 36*3.25*1000MM (QTY-40 PCS)(USE IN PLANT FOR MAKING ENGINE MOUNT AND | 0.11 | 2,62,257 | 27,537 | PUC |
| 2011-12 | 20120314 | CHINA P RP | 73041110 | ALLOY STEEL SEAMLESS PIPE 60.45MM X 9.14MM,3.04M LONG GRADE AISI 4130 | 0.01 | 30,700 | 307 | PUC |
| Apr-Jun 2012 | 13-Apr-12 | CHINA P RP | 73041910 | 9 5/8 53.5# P110 BTC SMLS PUMP JOINT 9 METERS JOINTS, WITHSPECIAL DRIFT TO 8.5 | 4,370.48 | 8,229 | 3,59,66,147 | PUC |
| Apr-Jun 2012 | 09-Apr-12 | U K | 73042990 | REGULAR SIZE CASING PIPES 9-5/8 , P-110, 47PPF BTC(3273 BDLS = 3273 PCS) (38605. | 2,699.95 | 62,134 | 16,77,59,907 | PUC |

**Import Data from DGCIS [All Countries PUC]
Apr 2009 to Jun 2012**

| Year | Date | Country | ITC-HS | Item-Des | Quantity (MT) | Price (Rs./MT) | Value (Rs) | PUC/ NPUC |
|--------------|-----------|------------|----------|---|---------------|----------------|-------------|--------------|
| Apr-Jun 2012 | 20-Apr-12 | CHINA P RP | 73062919 | CASING USE IN OILWELL DRILLING OPERATION | 1,398.71 | 57,209 | 8,00,19,460 | PUC |
| Apr-Jun 2012 | 09-Apr-12 | CHINA P RP | 73042990 | CASING PIPES 7 , 26 PPF, L-80 BTC, 2588 PCS | 1,160.52 | 62,342 | 7,23,49,909 | PUC |
| Apr-Jun 2012 | 28-Apr-12 | CHINA P RP | 73041910 | PLAIN END SEAMLESS COUPLING STOCK OF SIZE:7 OD (946.892 MTRS= 95.802 MTS (OR) 11 | 917.90 | 90,835 | 8,33,77,800 | PUC |
| Apr-Jun 2012 | 17-Apr-12 | CHINA P RP | 73042390 | EUE PRODUCTION TUBINGS 2-7/8 OD, 6.5PPF, L-80 EUE, 8960 PCS | 822.09 | 63,407 | 5,21,26,692 | PUC |
| Apr-Jun 2012 | 11-Apr-12 | CHINA P RP | 73042990 | REGULAR SIZE CASING PIPES 7 , 26 PPF, L-80 BTC, 1539 PCS | 688.22 | 62,343 | 4,29,05,543 | PUC |
| Apr-Jun 2012 | 30-Apr-12 | CHINA P RP | 98010013 | SEAMLESS CARBON STEEL TUBES (TO SPEC SA210)SIZE AS PER INVOICE S37/01/2012 CIF | 608.00 | 75,744 | 4,60,52,513 | PUC |
| Apr-Jun 2012 | 09-Apr-12 | CHINA P RP | 73042990 | CASING PIPE 9-5/8 Q-125, 53.5 PPF BTC | 596.82 | 91,350 | 5,45,19,441 | PUC |
| Apr-Jun 2012 | 28-Apr-12 | CHINA P RP | 73045910 | SEAMLESS ALLOY STEEL TUBE SIZE AS PER INVOICE | 501.00 | 1,19,999 | 6,01,19,734 | PUC |
| Apr-Jun 2012 | 18-Apr-12 | U S A | 73041910 | TUBING | 500.00 | 59 | 29,669 | PUC |
| Apr-Jun 2012 | 28-Apr-12 | CHINA P RP | 73043939 | HOT FINISHED SEAMLESS STEEL TUBES (37 MN) SIZE: 232MM X 5.7MM | 464.00 | 57,941 | 2,68,84,738 | PUC |
| Apr-Jun 2012 | 17-Apr-12 | CHINA P RP | 73041910 | PLAIN END SEAMLESS PIPES (DRILL PIPE) OF SIZE:5-1/2 OD (9327.794 MTRS = 296.986 | 371.16 | 50,287 | 1,86,64,729 | PUC |
| Apr-Jun 2012 | 30-Apr-12 | CHINA P RP | 98010013 | SEAMLESS CARBON STEEL TUBES (TO SPEC SA 210)SIZE AS PER INVOICE CIF : RS.270787 | 353.00 | 76,710 | 2,70,78,742 | PUC |
| Apr-Jun 2012 | 28-Apr-12 | CHINA P RP | 73042990 | CARBON STEEL SEAMLESS PIPES API 5L / ASTM A 106 GR. B | 342.00 | 32,438 | 1,10,93,919 | PUC |
| Apr-Jun 2012 | 30-Apr-12 | CHINA P RP | 98010013 | SEAMLESS CARBON STEEL TUBES(TO SPEC SA 210)SIZE AS PER INVOICE CIF : RS.2486481 | 326.00 | 76,272 | 2,48,64,811 | PUC |
| Apr-Jun 2012 | 26-Apr-12 | CHINA P RP | 73049000 | MILD STEEL SEAMLESS PIPES ASTM A106 GR.B | 323.00 | 49,382 | 1,59,50,251 | PUC |
| Apr-Jun 2012 | 09-Apr-12 | CHINA P RP | 73069090 | CARBON SEAMLESS STEEL PIPE 134MM X 4.5MM X 6000MM | 319.00 | 53,411 | 1,70,38,197 | PUC |
| Apr-Jun 2012 | 11-Apr-12 | CHINA P RP | 73041910 | CARBON SEAMLESS STEEL MOTHER HOLLOW PIPE | 300.00 | 54,358 | 1,63,07,422 | PUC |
| Apr-Jun 2012 | 16-Apr-12 | CHINA P RP | 73043119 | COLD DRAWN SEAMLESS CARBON STEEL TUBES ST 37.4 (SIZE 35.0 X4.5 (10000-12000MM)) | 260.86 | 53,508 | 1,39,58,013 | PUC |
| Apr-Jun 2012 | 17-Apr-12 | INDONESIA | 73042990 | SMLS STEEL PIPES HF SLOTTED C ACC. TO: API 5CT PSL2 / ISO 11960 PSL2. STEEK: L80 | 253.90 | 85,578 | 2,17,28,416 | PUC |
| Apr-Jun 2012 | 18-Apr-12 | CHINA P RP | 73041910 | PLAIN END SEAMLESS PIPES (CASING PIPE) OF SIZE:5 OD (1114 MTRS = 24.702 MTS (OR | 253.58 | 47,743 | 1,21,06,767 | PUC |
| Apr-Jun 2012 | 18-Apr-12 | ITALY | 73042990 | PIPES | 250.00 | 34 | 8,510 | PUC |
| Apr-Jun 2012 | 28-Apr-12 | CHINA P RP | 73041990 | DEF/ SEAMLESS PIPES IN VARIOUS SIZES | 239.00 | 30,904 | 73,86,120 | PUC |
| Apr-Jun 2012 | 12-Apr-12 | CHINA P RP | 73042400 | MS SEAMLESS PIPE 48.3MM X 5.5MM - 5.36 MTR | 238.34 | 51,701 | 1,23,22,511 | PUC |
| Apr-Jun 2012 | 30-Apr-12 | CHINA P RP | 73043919 | COLD DRAWN SEAMLESS CARBON STEEL TUBE ASTM A 179 (SIZE :25.4 X 2.1 X 1000 - 118 | 229.00 | 53,309 | 1,22,07,697 | PUC |
| Apr-Jun 2012 | 30-Apr-12 | CHINA P RP | 73049000 | CARBON STEEL SEAMLESS PIPE ASTM 106 GR.B/API 5L GR.B | 225.00 | 36,397 | 81,89,268 | PUC |
| Apr-Jun 2012 | 17-Apr-12 | CHINA P RP | 73041910 | PLAIN END SEAMLESS PIPES (DRILL PIPE) OF SIZE:5-1/2 OD (5353.202 MTRS = 195.219 | 213.00 | 57,602 | 1,22,68,962 | PUC |
| Apr-Jun 2012 | 30-Apr-12 | CHINA P RP | 98010013 | SEAMLESS CARBON STEEL TUBES(TO SPEC SA 210)SIZE AS PER INVOICE S37/03/2012 (CIF | 208.00 | 73,103 | 1,52,05,383 | PUC |
| Apr-Jun 2012 | 16-Apr-12 | ITALY | 73043119 | COLD DRAWN SEAMLESS CARBON STEEL TUBES ST 37.4 (SIZE - 48.3X 6.5 (8000-10000 MM)) | 205.45 | 53,509 | 1,09,93,536 | PUC |
| Apr-Jun 2012 | 30-Apr-12 | CHINA P RP | 73049000 | CARBON STEEL SEAMLESS PIPES GRADE SA106 GRB | 192.00 | 44,622 | 85,67,464 | PUC |
| Apr-Jun 2012 | 06-Apr-12 | CHINA P RP | 73045930 | SEAMLESS STEEL GAS CYLINDER TUBE SIZE: 267 MM X 7.5 MM (GRADE: 34CRM04) | 186.00 | 63,941 | 1,18,93,047 | PUC |
| Apr-Jun 2012 | 09-Apr-12 | CHINA P RP | 73043929 | CARBON STEEL SEAMLESS MOTHER PIPES (HOT FINISH) 1 API 5L GRB/ASTM A106 GR .B 168 | 183.00 | 43,788 | 80,13,263 | PUC |
| Apr-Jun 2012 | 07-Apr-12 | U K | 73042990 | 13-3/8 , 9-5/8 , 7 & 5-1/2 REGULAR SIZE CASING PIPES,13-3/8 68 PPF N-80 BTC (| 181.02 | 61,387 | 1,11,12,094 | PUC |
| Apr-Jun 2012 | 05-Apr-12 | CHINA P RP | 73041910 | SEAMLESS STEEL PIPES ASTM A 106 GRB 6 SCH40MM X5.8M(L) | 173.00 | 45,623 | 78,92,853 | PUC |
| Apr-Jun 2012 | 09-Apr-12 | JAPAN | 73042990 | CASING PIPE 7 29 PPF L-80 BTC(CASING PIPES) | 172.13 | 61,851 | 1,06,46,600 | PUC |
| Apr-Jun 2012 | 18-Apr-12 | GERMANY | 73049000 | SEAMLESS P+P HIGH PRESSURE STEEL TUBES (FOR CAPTIVE CONSUMPTION) | 163.05 | 46,729 | 76,19,410 | PUC |
| Apr-Jun 2012 | 30-Apr-12 | U K | 73042990 | SUPPLY OF 13-3/8 ,9-5/8 , 7 & 5-1/2 REGULAR SIZE CASINGPIPE 68 PPF N-80 BTC(67 | 150.87 | 61,366 | 92,58,071 | PUC |
| Apr-Jun 2012 | 27-Apr-12 | CHINA P RP | 73049000 | CARBON STEEL SEAMLESS PIPES AS PER ASTM A 106 GR B / A 53 GR B / API 5L GR B 3 | 149.00 | 44,430 | 66,20,008 | PUC |
| Apr-Jun 2012 | 27-Apr-12 | CHINA P RP | 73045110 | COLD DRAWN ASME SA210 SEAMLESS STEEL TUBES 50.8 X 5 X 9500 MM | 143.82 | 54,962 | 79,04,580 | PUC |
| Apr-Jun 2012 | 11-Apr-12 | CHINA P RP | 73042390 | DRILL PIPES & PUP JOINTS (DRILL PIPE, 5 G-105 GD, R-II 19.5 PPF, 509 PCS) | 139.13 | 1,66,800 | 2,32,07,184 | PUC |
| Apr-Jun 2012 | 09-Apr-12 | CHINA P RP | 73043929 | CARBON STEEL SEAMLESS MOTHER PIPES (HOT FINISHED) API5L GR.B/ASTM A106 GR OD168 | 136.00 | 43,320 | 58,91,483 | PUC |
| Apr-Jun 2012 | 12-Apr-12 | CHINA P RP | 73041910 | PLAIN END SEAMLESS PIPES OF SIZE:3-1/2 OD GRADE:J-55 (10175.14 MTRS = 135.409 MT | 135.41 | 51,007 | 69,06,858 | PUC |

Import Data from DGCIS [All Countries PUC]

Apr 2009 to Jun 2012

| Year | Date | Country | ITC-HS | Item-Des | Quantity (MT) | Price (Rs./MT) | Value (Rs) | PUC/ NPUC |
|--------------|-----------|-------------|----------|--|---------------|----------------|-------------|--------------|
| Apr-Jun 2012 | 25-Apr-12 | CHINA P RP | 73069090 | CARBON SEAMLESS STEEL PIPE 134MM X 4.5MM X 6000MM | 135.00 | 52,762 | 71,22,828 | PUC |
| Apr-Jun 2012 | 27-Apr-12 | KUWAIT | 73049000 | CARBON STEEL PIPES(SECONDARY PRODUCT) | 132.00 | 30,917 | 40,81,018 | PUC |
| Apr-Jun 2012 | 09-Apr-12 | U ARAB EMTS | 73049000 | STOCK LOT IRON PIPES | 131.00 | 31,155 | 40,81,252 | PUC |
| Apr-Jun 2012 | 16-Apr-12 | CHINA P RP | 73041910 | SEAMLESS STEEL PIPES SIZE:88.9X6.75X5900 ASTM A 106-B | 130.00 | 44,394 | 57,71,253 | PUC |
| Apr-Jun 2012 | 21-Apr-12 | CHINA P RP | 73049000 | CARBON SEAMLESS STEEL PIPE (SIZE:4NB X SCH80) (10 PCS) (NI 0.012) | 128.00 | 44,742 | 57,26,918 | PUC |
| Apr-Jun 2012 | 28-Apr-12 | U K | 73049000 | CARBON STEEL SEAMLESS PIPES STOCK LOT | 125.00 | 32,717 | 40,89,660 | PUC |
| Apr-Jun 2012 | 10-Apr-12 | CHINA P RP | 73049000 | OTHER TUBES PIPES ANDHOL | 125.00 | 57,560 | 71,95,003 | PUC |
| Apr-Jun 2012 | 02-Apr-12 | CHINA P RP | 73049000 | SEAMLESS STEEL TUBE FOR | 124.55 | 67,671 | 84,28,423 | PUC |
| Apr-Jun 2012 | 21-Apr-12 | CHINA P RP | 73049000 | SEAMLESS STEEL TUBE FOR | 123.10 | 67,671 | 83,30,300 | PUC |
| Apr-Jun 2012 | 03-Apr-12 | INDONESIA | 73045110 | BEARING QUALITY STEEL TUBE SAE 52100 (BB1103IR) SIZE 46.75 X 34.75MM | 122.82 | 64,882 | 79,68,967 | PUC |
| Apr-Jun 2012 | 16-Apr-12 | CHINA P RP | 73049000 | HOT FINISHED CARBON STEEL SEAMLESS MOTHER PIPE GRADE DIN 17175 ST35.8 (SPECIFICA | 118.63 | 49,930 | 59,23,183 | PUC |
| Apr-Jun 2012 | 09-Apr-12 | CHINA P RP | 73043939 | CARBON STEEL SEAMLESS MOTHER PIPES (HOT FINISH) 1 API 5L GRB/ASTM A106 GR .B 219 | 115.00 | 45,425 | 52,23,884 | PUC |
| Apr-Jun 2012 | 10-Apr-12 | U S A | 73042390 | RE-IMPORT OF(AFTER REPAIRS)5 DRILL PIPES EXPORTED VIDE S/BILL NO 454/11-12 DT 02 | 114.26 | 73,339 | 83,79,439 | PUC |
| Apr-Jun 2012 | 19-Apr-12 | KOREA RP | 73069090 | MS UNUSED RUSTED & PITTED PIPES | 113.00 | 31,182 | 35,23,607 | PUC |
| Apr-Jun 2012 | 17-Apr-12 | U ARAB EMTS | 73049000 | CARBON STEEL SECONDARY DEFECTIVE SEAMLESS PIPES | 112.00 | 29,206 | 32,71,083 | PUC |
| Apr-Jun 2012 | 20-Apr-12 | QATAR | 73042990 | SECONDARY SECOND CHOICE CARBON STEEL PIPES | 110.00 | 29,016 | 31,91,705 | PUC |
| Apr-Jun 2012 | 03-Apr-12 | U S A | 73049000 | M S PIPES | 109.00 | 30,050 | 32,75,454 | PUC |
| Apr-Jun 2012 | 07-Apr-12 | GERMANY | 73049000 | SEAMLESS P+P HIGH PRESSURE STEEL TUBES (FOR CAPTIVE CONSUMPTION) | 108.61 | 42,698 | 46,37,669 | PUC |
| Apr-Jun 2012 | 16-Apr-12 | QATAR | 73062919 | SECONDARY SECOND CHOICE CARBON STEEL PIPES | 108.00 | 29,178 | 31,51,259 | PUC |
| Apr-Jun 2012 | 10-Apr-12 | SPAIN | 73043911 | SEAMLESS CARBON STEEL TUBESIZE AS PER INVOICE | 107.00 | 98,208 | 1,05,08,278 | PUC |
| Apr-Jun 2012 | 07-Apr-12 | GERMANY | 73049000 | SEAMLESS P+P PRECISION STEEL TUBES (FOR CAPTIVE CONSUMPTION) | 104.82 | 95,171 | 99,76,162 | PUC |
| Apr-Jun 2012 | 09-Apr-12 | U S A | 73049000 | SECONDARY CARBON STEEL SEAMLESS PIPES | 104.00 | 28,254 | 29,38,381 | PUC |
| Apr-Jun 2012 | 26-Apr-12 | CHINA P RP | 73049000 | HOT FINISHED SEAMLESS TUBE 34CRMO4 | 102.00 | 71,887 | 73,32,461 | PUC |
| Apr-Jun 2012 | 30-Apr-12 | CHINA P RP | 73049000 | SECONDARY CARBON STEEL SEAMLESS PIPES | 102.00 | 28,899 | 29,47,716 | PUC |
| Apr-Jun 2012 | 20-Apr-12 | CHINA P RP | 73043939 | SEAMLESS PIPES 60X12.5X1 M TO 5.8M API 5L ASTM A 106 | 101.00 | 50,556 | 51,06,151 | PUC |
| Apr-Jun 2012 | 04-Apr-12 | CHINA P RP | 73049000 | MILD STEEL TUBE GRADE Q345A CODE NO A1102010001 SIZE 5900*133*133MM*1228 PC | 100.09 | 55,590 | 55,63,967 | PUC |
| Apr-Jun 2012 | 25-Apr-12 | BELGIUM | 73049000 | SECONDARY CARBON SEAMLESS STEEL PIPES | 99.00 | 29,067 | 28,77,663 | PUC |
| Apr-Jun 2012 | 13-Apr-12 | BELGIUM | 73049000 | SECONDARY CARBON SEAMLESS STEEL PIPES | 99.00 | 29,032 | 28,74,172 | PUC |
| Apr-Jun 2012 | 24-Apr-12 | CHINA P RP | 73049000 | MILD STEEL SEAMLESS PIPES IN MIXED SIZES (ASTM A106/A53/API5L GR.B) | 99.00 | 39,288 | 38,89,527 | PUC |
| Apr-Jun 2012 | 27-Apr-12 | BELARUS | 73049000 | SECONDARY CARBON STEEL SEAMLESS PIPES | 98.00 | 31,474 | 30,84,450 | PUC |
| Apr-Jun 2012 | 17-Apr-12 | U ARAB EMTS | 73049000 | M.S. DEFECTIVE PIPES | 98.00 | 29,241 | 28,65,663 | PUC |
| Apr-Jun 2012 | 05-Apr-12 | CHINA P RP | 73049000 | CARBON STEEL SEAMLESS PIPES API SPEC 5L B PSL1 / ASTM GR. A106 B | 97.00 | 37,365 | 36,24,365 | PUC |
| Apr-Jun 2012 | 25-Apr-12 | CHINA P RP | 73049000 | CARBON STEEL SEAMLESS PIPES | 95.00 | 36,456 | 34,63,367 | PUC |
| Apr-Jun 2012 | 12-Apr-12 | ARGENTINA | 73043911 | SEAMLESS TUBULARS(ASTM A333 GR.6) SIZE: 2 (C.O. ARGENTINA & ITALY) | 93.00 | 1,17,499 | 1,09,27,370 | PUC |
| Apr-Jun 2012 | 23-Apr-12 | CHINA P RP | 73045110 | BEARING QUALITY STEEL TUBE SAE-52100 AND SUJ-3 (TMB6007OR) SIZE 62.7 X 4.9MM | 90.68 | 85,341 | 77,39,102 | PUC |
| Apr-Jun 2012 | 11-Apr-12 | CHINA P RP | 73045110 | BEARING QUALITY STEEL TUBE SAE-52100 AND SUJ-3 (TMB6304OR) SIZE 52.6 X 5.55MM | 90.20 | 68,874 | 62,12,717 | PUC |
| Apr-Jun 2012 | 28-Apr-12 | U S A | 73049000 | CARBON STEEL PIPES (SECONDARY DEFECTIVE) NON ALLOY | 82.00 | 29,415 | 24,12,000 | PUC |
| Apr-Jun 2012 | 12-Apr-12 | CHINA P RP | 73045110 | BEARING QUALITY STEEL TUBE SAE 52100 (BB1103IR) SIZE 46.75 X 34.75MM | 81.34 | 64,710 | 52,63,230 | PUC |
| Apr-Jun 2012 | 12-Apr-12 | CHINA P RP | 73049000 | PARTIAL SHIPMENT OF RECTANGULAR TUBE SEAMLESS SIZE IN MM 140X70X10 (460 PCS) | 81.00 | 54,332 | 44,00,932 | PUC |
| Apr-Jun 2012 | 02-Apr-12 | CHINA P RP | 73049000 | CARBON STEEL SEAMLESS TUBES ASTM A179 (57.2MM O/D X 3.25MM W/T) LENGTH 4052 METE | 80.45 | 47,402 | 38,13,478 | PUC |
| Apr-Jun 2012 | 28-Apr-12 | U K | 73049000 | SECONDARY SECOND CHOICE CARBON STEEL SEAMLESS/WELDED PIPES | 80.00 | 29,032 | 23,22,562 | PUC |

**Import Data from DGCIS [All Countries PUC]
Apr 2009 to Jun 2012**

| Year | Date | Country | ITC-HS | Item-Des | Quantity (MT) | Price (Rs./MT) | Value (Rs) | PUC/ NPUC |
|--------------|-----------|-------------|----------|--|---------------|----------------|-------------|--------------|
| Apr-Jun 2012 | 16-Apr-12 | U ARAB EMTS | 73061929 | M.S .RUSTED & PITTED PIPES | 79.00 | 31,366 | 24,77,937 | PUC |
| Apr-Jun 2012 | 28-Apr-12 | CHINA P RP | 73043921 | SEAMLESS CARBON STEEL PIPES (TO SPEC SA106)SIZE AS PER INVOICE | 78.00 | 65,298 | 50,93,230 | PUC |
| Apr-Jun 2012 | 27-Apr-12 | CHINA P RP | 73049000 | CARBON STEEL SEAMLESS PIPES | 78.00 | 37,940 | 29,59,308 | PUC |
| Apr-Jun 2012 | 21-Apr-12 | CHINA P RP | 73061929 | M.S.RUSTED & PITTED PIPES | 78.00 | 31,272 | 24,39,190 | PUC |
| Apr-Jun 2012 | 16-Apr-12 | QATAR | 73041990 | SECONDARY DEFECTIVE CARBON STEEL SEAMLESS PIPES 24 NB | 77.43 | 29,639 | 22,94,977 | PUC |
| Apr-Jun 2012 | 20-Apr-12 | SPAIN | 73049000 | M.S SEAMLESS PIPES MIX SECOND CHOICE | 77.00 | 29,099 | 22,40,656 | PUC |
| Apr-Jun 2012 | 23-Apr-12 | JAPAN | 73049000 | M.S. SECONDARY CARBON STEEL PIPE FITTING BEND | 77.00 | 28,886 | 22,24,194 | PUC |
| Apr-Jun 2012 | 30-Apr-12 | CHINA P RP | 73041990 | HOT ROLLED SEAMLESS STEEL PIPES FOR GAS CYLINDERS USING RAWMATERIAL FULFILLS THE | 75.00 | 72,734 | 54,55,021 | PUC |
| Apr-Jun 2012 | 02-Apr-12 | CHINA P RP | 73049000 | CARBON STEEL SEAMLESS TUBES ASTM A179 (57.2 MM O/D X3.25MMW/T) LENGTH 4.052 MET | 75.00 | 47,978 | 35,98,351 | PUC |
| Apr-Jun 2012 | 26-Apr-12 | CHINA P RP | 73049000 | CARBON STEEL SEAMLESS PIPES ASTM 106 GR B | 75.00 | 36,535 | 27,40,108 | PUC |
| Apr-Jun 2012 | 11-Apr-12 | GERMANY | 73042990 | SECONDARY CARBON STEEL SEAMLESS PIPES | 74.00 | 35,722 | 26,43,413 | PUC |
| Apr-Jun 2012 | 13-Apr-12 | FRANCE | 73043911 | CARBON STEEL SEAMLESS PIPES (SA106) SIZE: OD 88.9MM X WT 15MM | 71.06 | 84,042 | 59,71,605 | PUC |
| Apr-Jun 2012 | 20-Apr-12 | CHINA P RP | 73043129 | CARBON STEEL SEAMLESS PIPES OD 219.1 (MM) SIZE:8.18 MM X 10-12 M | 70.00 | 53,453 | 37,41,742 | PUC |
| Apr-Jun 2012 | 13-Apr-12 | BELGIUM | 73049000 | SECONDARY ASSORTED CARBON SEAMLESS STEEL PIPE | 68.00 | 30,433 | 20,69,445 | PUC |
| Apr-Jun 2012 | 21-Apr-12 | ROMANIA | 73043911 | PIPE SEAMLESS ASTM A106 B NIBR 450MM SCH XS BEVELLED END ASME B36.10M(47.437M.TO | 67.23 | 1,71,637 | 1,15,39,922 | PUC |
| Apr-Jun 2012 | 24-Apr-12 | U S A | 73049000 | CARBON STEEL SEAMLESS PIPES STOCK LOT | 67.00 | 32,584 | 21,83,120 | PUC |
| Apr-Jun 2012 | 27-Apr-12 | ITALY | 73049000 | COLD DRAWN SEAMLESS STEEL TUBE150,50 X7,75 E355 +SR4000-5800 | 64.27 | 96,417 | 61,97,149 | PUC |
| Apr-Jun 2012 | 06-Apr-12 | CHINA P RP | 73045930 | SEAMLESS STEEL GAS CYLINDER TUBE SIZE: 267 MM X 7.5 MM (GRADE: 34CRM04) | 63.00 | 64,301 | 40,50,951 | PUC |
| Apr-Jun 2012 | 05-Apr-12 | CHINA P RP | 73049000 | CARBON STEEL SEAMLESS PIPES [SIZE: 60.5MM X 3.78MM] | 63.00 | 57,313 | 36,10,745 | PUC |
| Apr-Jun 2012 | 28-Apr-12 | CHINA P RP | 73043119 | STEEL TUBES / PIPES (BOILER QUALITY CARBON STEEL SEAMLESS PIPES) - SIZE.:OD 273. | 63.00 | 53,467 | 33,68,415 | PUC |
| Apr-Jun 2012 | 04-Apr-12 | U S A | 73069090 | SECONDARY /DEFECTIVE MS PIPES PSIC NO.US-IN-012512-66589 DT.25.01.2012 | 62.00 | 28,547 | 17,69,944 | PUC |
| Apr-Jun 2012 | 30-Apr-12 | CHINA P RP | 73045110 | BEARING QUALITY STEEL TUBE SAE 52100 (BB1103OR) SIZE 72.28 X 60.20MM | 61.92 | 65,869 | 40,78,426 | PUC |
| Apr-Jun 2012 | 20-Apr-12 | U ARAB EMTS | 73049000 | CARBON STEEL PIPES (SECONDARY DEFECTIVE) NON ALLOY | 60.00 | 29,274 | 17,56,456 | PUC |
| Apr-Jun 2012 | 24-Apr-12 | CHINA P RP | 73043119 | SEAMLESS CARBON STEEL PIPES CDS FOR DIN 2391 ST52 BKS (SIZE103*10*2940) | 59.00 | 69,256 | 40,86,082 | PUC |
| Apr-Jun 2012 | 06-Apr-12 | CHINA P RP | 73045930 | SEAMLESS STEEL GAS CYLINDER TUBE SIZE: 267 MM X 7.5 MM (GRADE: 34CRM04) | 59.00 | 64,440 | 38,01,951 | PUC |
| Apr-Jun 2012 | 30-Apr-12 | U K | 73042390 | DRILL PIPES & PUP JOINTS,DRILL PIPE,5 19.5PPF S-135,RH IEU(37 BDLS=210 PCS) (19 | 57.83 | 1,76,622 | 1,02,13,868 | PUC |
| Apr-Jun 2012 | 10-Apr-12 | CHINA P RP | 73042390 | DRILL PIPE 5 19.5 PPF S-135 RH IEU, 209 PCS | 57.54 | 1,76,612 | 1,01,62,016 | PUC |
| Apr-Jun 2012 | 20-Apr-12 | CHINA P RP | 73042990 | CARBON STEEL HOT FINISHED GALVANISED SEAMLESS PIPES API5L /A53 GR. B | 56.00 | 54,810 | 30,69,377 | PUC |
| Apr-Jun 2012 | 03-Apr-12 | ITALY | 73049000 | SECONDARY DEFECTIVE M.S. PIPES | 54.00 | 28,612 | 15,45,039 | PUC |
| Apr-Jun 2012 | 12-Apr-12 | ITALY | 73042990 | SEAMLESS CASING PIPES, ACCORDING TO ASTM A 519 T95 TYPE 1 Q&T SIZE:-OD 139.7 MM | 53.91 | 2,44,625 | 1,31,88,467 | PUC |
| Apr-Jun 2012 | 16-Apr-12 | QATAR | 73041990 | SECONDARY DEFECTIVE CARBON STEEL SEAMLESS PIPES 24 NB | 53.89 | 29,640 | 15,97,299 | PUC |
| Apr-Jun 2012 | 25-Apr-12 | FRANCE | 73041990 | PIPING WITH DRAWAL 048.3 X 3.6 | 53.38 | 62,840 | 33,54,211 | PUC |
| Apr-Jun 2012 | 14-Apr-12 | U ARAB EMTS | 73049000 | SECONDARY SECOND CHOICE CARBON STEEL SEAMLESS/WELDED PIPES | 53.00 | 29,192 | 15,47,158 | PUC |
| Apr-Jun 2012 | 30-Apr-12 | U K | 73049000 | SECONDARY SURPLUS CARBON STEEL SEAMLSS PIPES | 53.00 | 28,346 | 15,02,358 | PUC |
| Apr-Jun 2012 | 30-Apr-12 | CHINA P RP | 73069090 | CARBON SEAMLESS STEEL PIPE 1683.MM OD X 17.5MM THK ST52.3 | 53.00 | 51,097 | 27,08,119 | PUC |
| Apr-Jun 2012 | 20-Apr-12 | CHINA P RP | 73049000 | CARBON STEEL SEAMLESS PIPES AS PER ASTM A106 GR.B/API 5L/A53GR.B | 53.00 | 45,472 | 24,10,004 | PUC |
| Apr-Jun 2012 | 28-Apr-12 | KUWAIT | 73042990 | M.S.REJECTED PIPES | 52.00 | 30,676 | 15,95,142 | PUC |
| Apr-Jun 2012 | 09-Apr-12 | CHINA P RP | 73049000 | HOT FINISHED CARBON STEEL SEAMLESS MOTHER PIPE - GRADE DIN 17175 ST35.8 (SIZE-27 | 51.85 | 49,789 | 25,81,576 | PUC |
| Apr-Jun 2012 | 03-Apr-12 | CHINA P RP | 73041190 | CARBON STEEL MOTHER HOLLOW (ROUND SHAPE) PIPE 33.4MMX3.6MMX5-5.8MTR | 51.52 | 43,518 | 22,41,935 | PUC |
| Apr-Jun 2012 | 17-Apr-12 | CHINA P RP | 73041990 | CARBON STEEL SEAMLESS MOTHER PIPES - FULLY KILLED (HOT FINISH) - DIN17175 ST35. | 51.42 | 52,788 | 27,14,228 | PUC |
| Apr-Jun 2012 | 17-Apr-12 | CHINA P RP | 73041990 | CARBON STEEL SEAMLESS MOTHER PIPES - FULLY KILLED (HOT FINISH) - ASTM A334 (SI | 51.10 | 52,692 | 26,92,559 | PUC |

**Import Data from DGCIS [All Countries PUC]
Apr 2009 to Jun 2012**

| Year | Date | Country | ITC-HS | Item-Des | Quantity (MT) | Price (Rs./MT) | Value (Rs) | PUC/ NPUC |
|--------------|-----------|--------------|----------|--|---------------|----------------|-------------|--------------|
| Apr-Jun 2012 | 20-Apr-12 | U ARAB EMTS | 73061929 | M.S.RUSTED & PITTED PIPES | 51.00 | 31,015 | 15,81,755 | PUC |
| Apr-Jun 2012 | 17-Apr-12 | MALAYSIA | 73049000 | SECONDARY SECOND CHOICE CARBON STEEL SEAMLESS WELDED PIPES | 51.00 | 26,858 | 13,69,746 | PUC |
| Apr-Jun 2012 | 21-Apr-12 | CHINA P RP | 73049000 | CARBON SEAMLESS STEEL PIPE (SIZE: 10NB X 30MM) (2 PCS) (NI0.09) | 51.00 | 45,157 | 23,03,003 | PUC |
| Apr-Jun 2012 | 24-Apr-12 | CHINA P RP | 73049000 | MILD STEEL SEAMLESS PIPES API SPEC 5L/ASTM A106/A53 B PSL 1/B | 51.00 | 38,554 | 19,66,244 | PUC |
| Apr-Jun 2012 | 09-Apr-12 | JAPAN | 73049000 | M.S.SECONDARY CARBON STEEL SEAMLESS PIPES | 50.00 | 28,896 | 14,44,807 | PUC |
| Apr-Jun 2012 | 25-Apr-12 | CHINA P RP | 73043919 | CARBON STEEL SEAMLESS TUBES (SIZE 33.4 X 7.5 X 7000 - 9000) | 50.00 | 54,767 | 27,38,344 | PUC |
| Apr-Jun 2012 | 23-Apr-12 | CHINA P RP | 73043919 | CARBON STEEL SEAMLESS TUBES (SIZE : 80 X 4 X 7000 - 9000) | 50.00 | 49,869 | 24,93,454 | PUC |
| Apr-Jun 2012 | 25-Apr-12 | CHINA P RP | 73043939 | PRIME CARBON STEEL SEAMLESS PIPES, GRADE ASTM 106 GR.B/API5L GR.B - SIZE : 273M | 50.00 | 47,097 | 23,54,826 | PUC |
| Apr-Jun 2012 | 23-Apr-12 | CHINA P RP | 73042990 | CARBON STEEL SEAMLESS PIPES API5L / ASTM A 106 GR. B | 50.00 | 45,106 | 22,55,304 | PUC |
| Apr-Jun 2012 | 10-Apr-12 | CHINA P RP | 73049000 | CARBON STEEL SEAMLESS PIPE (38 MM O/D X 7 MM W/T) (USED FOR OIL OR GAS) | 49.90 | 47,637 | 23,77,111 | PUC |
| Apr-Jun 2012 | 11-Apr-12 | CHINA P RP | 73042390 | DRILL PIPE 3-1/2 S GD RH 13.3 PPF RII, 260 PCS | 49.10 | 2,10,172 | 1,03,19,418 | PUC |
| Apr-Jun 2012 | 20-Apr-12 | CHINA P RP | 73043919 | SEAMLESS STEEL PIPES (GRADE 20+A)(SIZE : 33.38MM X 4.05MM X 5100MM-5800MM) | 49.00 | 56,668 | 27,76,738 | PUC |
| Apr-Jun 2012 | 26-Apr-12 | CHINA P RP | 73045930 | SEAMLESS CARBON STEEL PIPE (OD 219.1 X WT 40MM)STD:ASTM A106 GRADE C | 49.00 | 53,083 | 26,01,044 | PUC |
| Apr-Jun 2012 | 17-Apr-12 | GERMANY | 73049000 | CARBON STEEL SECONDARY DEFECTIVE SEAMLESS PIPE | 48.00 | 39,024 | 18,73,158 | PUC |
| Apr-Jun 2012 | 28-Apr-12 | CHINA P RP | 73043911 | SEAMLESS CARBON STEEL PIPES (TO SPEC SA106)SIZE AS PER INVOICE | 48.00 | 64,790 | 31,09,908 | PUC |
| Apr-Jun 2012 | 13-Apr-12 | U ARAB EMTS | 73049000 | OIL WELL EQUIPMENT: PIPE CS SMLS.24 .SCH 40.API 5L/A106 GRB/X42.PSL2.12M [46.50- | 47.49 | 1,22,855 | 58,33,882 | PUC |
| Apr-Jun 2012 | 17-Apr-12 | FRANCE | 73043911 | CARBON STEEL SEAMLESS PIPES (SA106) SIZE: OD 88.9MM X WT 15MM | 46.94 | 84,042 | 39,44,763 | PUC |
| Apr-Jun 2012 | 30-Apr-12 | CHINA P RP | 73043939 | SEAMLESS STEEL PIPE ASTM A 106GRB/GRADE20 - 140MMX8MM | 46.00 | 48,614 | 22,36,265 | PUC |
| Apr-Jun 2012 | 26-Apr-12 | CHINA P RP | 73041110 | CARBON SEAMLESS STEEL TUBES SA 179 SIZE (MM) 38.1 OD X 3.25WT X 8564 LG | 45.94 | 63,934 | 29,37,420 | PUC |
| Apr-Jun 2012 | 12-Apr-12 | CHINA P RP | 73045110 | BEARING QUALITY STEEL TUBE SAE-52100 AND SUJ-3 (TMB6205MOR)SIZE 52.7 X 4.45MM | 45.25 | 74,554 | 33,73,248 | PUC |
| Apr-Jun 2012 | 10-Apr-12 | CHINA P RP | 73049000 | ALLOY STEEL TUBES SIZE: 50.8 * 6.0 * 8500 MM (200 NUMS) ASIA-PTA CERT.NO. 01121 | 44.53 | 1,07,498 | 47,87,111 | PUC |
| Apr-Jun 2012 | 28-Apr-12 | U S A | 73041910 | SEAMLESS STEEL PIPES ASTM A 106 GRB | 44.00 | 33,949 | 14,93,768 | PUC |
| Apr-Jun 2012 | 26-Apr-12 | CHINA P RP | 73049000 | PARTIAL SHIPMENT OF RECTANGULAR TUBE SEAMLESS SIZE IN MM 120X80X10 (465 PCS) | 44.00 | 54,590 | 24,01,960 | PUC |
| Apr-Jun 2012 | 30-Apr-12 | CHINA P RP | 73045110 | BEARING QUALITY STEEL TUBE SAE-52100 AND SUJ-3 (TMB6205MIR)SIZE 34.35 X 5MM | 43.66 | 84,518 | 36,90,231 | PUC |
| Apr-Jun 2012 | 30-Apr-12 | CHINA P RP | 73042390 | DIRLL PIPE, 5 G-105 GD, R-II 19.5 PPF, 159 PCS | 43.44 | 1,66,830 | 72,46,607 | PUC |
| Apr-Jun 2012 | 19-Apr-12 | U K | 73042390 | DRILL PIPES AND PUP JOINTS FOR DRILL PIPE, 5 G-105 GD, R-1119.5 PPF (28 BDLS = | 43.26 | 1,66,835 | 72,17,762 | PUC |
| Apr-Jun 2012 | 28-Apr-12 | U S A | 73041910 | SEAMLESS STEEL PIPES ASTM A 106 GRB | 43.00 | 34,258 | 14,73,080 | PUC |
| Apr-Jun 2012 | 20-Apr-12 | U S A | 73049000 | M S PIPES | 43.00 | 30,148 | 12,96,377 | PUC |
| Apr-Jun 2012 | 03-Apr-12 | CHINA P RP | 73042990 | SEAMLESS STEEL PIPES 60.32*7.91*5000 MM | 42.00 | 57,522 | 24,15,909 | PUC |
| Apr-Jun 2012 | 25-Apr-12 | CHINA P RP | 73049000 | SEAMLESS CARBON STEEL PIPES : 8 X SCH40 X 5-5.8M (USED FOR OIL OR GAS) | 39.95 | 46,949 | 18,75,756 | PUC |
| Apr-Jun 2012 | 25-Apr-12 | CHINA P RP | 73049000 | SEAMLESS CARBON STEEL PIPES : 8 X SCH40 X 5-5.8M (USED FOR OIL OR GAS) | 39.75 | 46,946 | 18,66,201 | PUC |
| Apr-Jun 2012 | 23-Apr-12 | CHINA P RP | 73043129 | SEAMLESS CYLINDER TUBES 225*200 | 39.38 | 44,608 | 17,56,793 | PUC |
| Apr-Jun 2012 | 27-Apr-12 | SOUTH AFRICA | 73049000 | CARBON STEEL SEAMLESS PIPES AS PER ASTM A 106 GR B / A 53 GR B / API 5L GR B 2 | 39.00 | 37,880 | 14,77,328 | PUC |
| Apr-Jun 2012 | 09-Apr-12 | CHINA P RP | 73043939 | CARBON STEEL SEAMLESS MOTHER PIPES (HOT FINISHED API5L GR.B/ASTM A106 GR OD 219 | 39.00 | 45,145 | 17,60,654 | PUC |
| Apr-Jun 2012 | 18-Apr-12 | CHINA P RP | 73045110 | STEEL TUBE DIA 4.76 X 0.60 MM WITH COPPER COATED | 38.99 | 67,833 | 26,45,010 | PUC |
| Apr-Jun 2012 | 11-Apr-12 | CHINA P RP | 73042390 | DRILL PIPE 3-1/2 S GD RH 13.3 PPF RII, 206 PCS | 38.89 | 2,10,159 | 81,72,688 | PUC |
| Apr-Jun 2012 | 30-Apr-12 | U S A | 73069090 | COLD DRAWN SEAMLESS TUBING (RTMZCNK18702446) (SIZE:244.6 MMOD X 186.94 MM ID) | 38.52 | 1,83,432 | 70,65,681 | PUC |
| Apr-Jun 2012 | 30-Apr-12 | CHINA P RP | 73049000 | CARBON STEEL SEAMLESS PIPES GRADE SA106 GRB | 37.00 | 44,561 | 16,48,748 | PUC |
| Apr-Jun 2012 | 10-Apr-12 | GERMANY | 73049000 | STEEL TUBES HOLLOW SECTION COLD FINISHED 200 X 100 X 10MM | 36.84 | 62,190 | 22,91,214 | PUC |
| Apr-Jun 2012 | 30-Apr-12 | JAPAN | 73045920 | HOT FINISHED SEAMLESS ALLOY STEEL PIPES SIZE:127.0X10.0X12000(IMPORT FOR THIRD C | 35.64 | 2,65,225 | 94,52,089 | PUC |
| Apr-Jun 2012 | 11-Apr-12 | CHINA P RP | 73041910 | PLAIN END SEAMLESS PIPES OF SIZE 4-1/2 OD (923.970 MTRS = 32.390 MTS (OR) 89 PC | 32.39 | 54,546 | 17,66,757 | PUC |

**Import Data from DGCIS [All Countries PUC]
Apr 2009 to Jun 2012**

| Year | Date | Country | ITC-HS | Item-Des | Quantity (MT) | Price (Rs./MT) | Value (Rs) | PUC/ NPUC |
|--------------|-----------|-------------|----------|--|---------------|----------------|------------|--------------|
| Apr-Jun 2012 | 27-Apr-12 | EGYPT A RP | 98010011 | CARBON STEEL SCHEDULE PIPE (ASTM A106 STEEL:C) SIZE:OD.114.30MM (462.48MTRS) E.C | 32.27 | 89,925 | 29,01,690 | PUC |
| Apr-Jun 2012 | 09-Apr-12 | KOREA RP | 73043911 | PIPE,HI-LANCE AND PIPE,HL-LANCE : 4 X 3000MM LONG ITEM CODE 201016021040 (36 NO | 31.40 | 2,73,785 | 85,95,762 | PUC |
| Apr-Jun 2012 | 30-Apr-12 | CONGO P REP | 73043911 | SECONDARY/DEFECTIVE SEAMLESS CARBON STEEL PIPE | 31.00 | 29,207 | 9,05,409 | PUC |
| Apr-Jun 2012 | 30-Apr-12 | CHINA P RP | 73041990 | SEAMLESS CARBON STEEL PIPES CONFIRMING TO SPECIFICATION ASTM A106 GRADE-B SIZE: | 30.00 | 51,513 | 15,45,396 | PUC |
| Apr-Jun 2012 | 30-Apr-12 | U S A | 73069090 | COLD DRAWN SEAMLESS TUBING (RTMZCNK14351804) (SIZE:180.34 MM OD X 143.51 X 4.980 | 29.20 | 2,27,181 | 66,34,651 | PUC |
| Apr-Jun 2012 | 24-Apr-12 | CHINA P RP | 73049000 | SEAMLESS STEEL BOOM BRACING TUBE (SIZE: 83*6*8.85M) (CAPTIVE CONSUMPTION) | 29.00 | 98,044 | 28,43,277 | PUC |
| Apr-Jun 2012 | 19-Apr-12 | U K | 73042390 | DRILL PIPES AND PUP JOINTS, DRILL PIPE 5 19.5 PPF S-135 RHIEU (21 BDLS = 103 PC | 28.35 | 1,76,544 | 50,04,793 | PUC |
| Apr-Jun 2012 | 23-Apr-12 | ROMANIA | 98010013 | SEAMLESS CARBON STEEL PIPES TO SPEC SA106 GRC(S37/19/2011/GR6) | 28.00 | 1,32,851 | 37,19,823 | PUC |
| Apr-Jun 2012 | 28-Apr-12 | OMAN | 73069090 | M.S.STEEL PIPE RUSTED & PITTED | 28.00 | 31,645 | 8,86,058 | PUC |
| Apr-Jun 2012 | 23-Apr-12 | U ARAB EMTS | 73049000 | M S PIPE | 28.00 | 30,106 | 8,42,970 | PUC |
| Apr-Jun 2012 | 30-Apr-12 | GERMANY | 73049000 | SECONDARY CARBON STEEL SEAMLESS PIPES | 28.00 | 28,890 | 8,08,910 | PUC |
| Apr-Jun 2012 | 16-Apr-12 | CHINA P RP | 73049000 | CARBON STEEL SEAMLESS PIPES GRADE SAE1045 | 27.94 | 38,110 | 10,64,793 | PUC |
| Apr-Jun 2012 | 17-Apr-12 | FRANCE | 73042390 | DRILL PIPE 30 JOINT NEW 5-1/2 HEAVY WEIGHT DRILL PIPE WITH7 OD X 3-1/2 ID FHD | 27.03 | 1,61,390 | 43,62,385 | PUC |
| Apr-Jun 2012 | 14-Apr-12 | SAUDI ARAB | 73042390 | DRILL PIPE JOINTS 30 JOINTS NEW 5-1/2 HEAVY WEIGHT DRILL PIPE WITH 7 ODX3-1/2 | 27.03 | 1,61,390 | 43,62,385 | PUC |
| Apr-Jun 2012 | 05-Apr-12 | GERMANY | 73043119 | PRIME CDS HOLLOW SEAMLESS TUBES SIZE : OD 26 MM X THK 5 MM X LENGHT 5200 MM) | 27.00 | 52,741 | 14,24,020 | PUC |
| Apr-Jun 2012 | 16-Apr-12 | U ARAB EMTS | 73061929 | M.S. RUSTED & PITTED PIPES | 27.00 | 30,762 | 8,30,562 | PUC |
| Apr-Jun 2012 | 03-Apr-12 | ITALY | 73049000 | SECONDARY CARBON STEEL SEAMLESS PIPES, MIXED SIZES | 27.00 | 29,635 | 8,00,148 | PUC |
| Apr-Jun 2012 | 13-Apr-12 | GERMANY | 73049000 | SECONDARY CARBON STEEL SEAMLESS PIPES | 27.00 | 29,248 | 7,89,706 | PUC |
| Apr-Jun 2012 | 04-Apr-12 | U K | 73049000 | CARBON STEEL SECONEARY SURPLUS SEAMLESS PIPES | 27.00 | 28,463 | 7,68,506 | PUC |
| Apr-Jun 2012 | 26-Apr-12 | CHINA P RP | 73049000 | CARBON SEAMLESS STEEL PIPES OD 89 MM | 27.00 | 49,033 | 13,23,896 | PUC |
| Apr-Jun 2012 | 12-Apr-12 | CHINA P RP | 73049000 | SECONDARY/DEFECTIVE CARBON STEEL SEAMLESS PIPES | 27.00 | 29,541 | 7,97,606 | PUC |
| Apr-Jun 2012 | 12-Apr-12 | ITALY | 73049000 | SECONDARY SEAMLESS CARBON STEEL PIPES | 26.00 | 41,059 | 10,67,538 | PUC |
| Apr-Jun 2012 | 11-Apr-12 | ITALY | 73049000 | SECONDARY SEAMLESS CARBON STEEL PIPES | 26.00 | 40,484 | 10,52,583 | PUC |
| Apr-Jun 2012 | 07-Apr-12 | BELARUS | 73049000 | CARBON STEEL SEAMLESS PIPES | 26.00 | 37,498 | 9,74,956 | PUC |
| Apr-Jun 2012 | 25-Apr-12 | CHINA P RP | 73043129 | NON ALLOY STEEL SEAMLESS PIPES API 5L GRADE X52 PSL2219.1MMX18.26MM | 26.00 | 73,877 | 19,20,795 | PUC |
| Apr-Jun 2012 | 04-Apr-12 | CHINA P RP | 73041990 | CARBON STEEL SEAMLESS MOTHER PIPES (HOT FINISH) - AS PER DIN17175 ST35.8 SIZE: O | 26.00 | 52,916 | 13,75,813 | PUC |
| Apr-Jun 2012 | 13-Apr-12 | CHINA P RP | 73049000 | CARBON STEEL SEAMLESS PIPES [SIZE: 60.3MM X 5.46MM] | 26.00 | 45,270 | 11,77,027 | PUC |
| Apr-Jun 2012 | 05-Apr-12 | CHINA P RP | 73041990 | CARBON STEEL SEAMLESS MOTHER PIPES (HOT FINISH) - FULLY KILLED SIZE: 33.4 X 3.38 | 25.52 | 49,698 | 12,68,479 | PUC |
| Apr-Jun 2012 | 09-Apr-12 | CHINA P RP | 73049000 | HOT FINISHED CARBON STEEL SEAMLESS MOTHER PIPE - GRADE DIN 17175 ST35.8 (SIZE=33 | 25.51 | 49,852 | 12,71,725 | PUC |
| Apr-Jun 2012 | 13-Apr-12 | CHINA P RP | 73043129 | HYDRAULIC CYLINDER TUBE 135*115(FOR CAPTIVE CONSUMPTION) | 25.16 | 75,158 | 18,91,219 | PUC |
| Apr-Jun 2012 | 18-Apr-12 | JAPAN | 73049000 | SECONDARY SEAMLESS CARBON STEEL PIPES | 25.00 | 41,843 | 10,46,066 | PUC |
| Apr-Jun 2012 | 26-Apr-12 | U ARAB EMTS | 73049000 | SECONDARY CARBON STEEL PIPES | 25.00 | 32,099 | 8,02,470 | PUC |
| Apr-Jun 2012 | 10-Apr-12 | GERMANY | 73049000 | SECONDARY /DEFECTIVE M.S SEAMLESS PIPES | 25.00 | 29,084 | 7,27,110 | PUC |
| Apr-Jun 2012 | 24-Apr-12 | CHINA P RP | 73041990 | HOT ROLLED SEAMLESS STEEL PIPES FOR GAS CYLINDER USING RAW MATERIAL FULFILLS THE | 25.00 | 76,828 | 19,20,697 | PUC |
| Apr-Jun 2012 | 30-Apr-12 | CHINA P RP | 73043919 | CARBON STEEL SEAMLESS TUBES ASTM A 106 (SIZE : 33.4 X 3.4X 8000 - 10000) | 25.00 | 54,265 | 13,56,632 | PUC |
| Apr-Jun 2012 | 23-Apr-12 | CHINA P RP | 73049000 | CARBON STEEL SEAMLESS PIPES ASTM GR.A 106-B | 25.00 | 36,968 | 9,24,208 | PUC |
| Apr-Jun 2012 | 16-Apr-12 | CHINA P RP | 73049000 | SECONDARY MILD STEEL SEAMLESS PIPES | 25.00 | 31,385 | 7,84,617 | PUC |
| Apr-Jun 2012 | 02-Apr-12 | CHINA P RP | 73049000 | SEAMLESS STEEL TUBE FOR | 24.58 | 67,465 | 16,58,290 | PUC |
| Apr-Jun 2012 | 27-Apr-12 | CHINA P RP | 73041910 | CARBON STEEL SEAMLESSPIPE(O/DIA:38MM,W/THICK.:12MM,L:4.377M)SPEC. ASTMA 106 GRAD | 24.44 | 44,805 | 10,94,900 | PUC |
| Apr-Jun 2012 | 17-Apr-12 | U ARAB EMTS | 73049000 | CARBON STEEL SEAMLESS PIPE (SIZE : 140*18*4870MM) | 24.00 | 48,725 | 11,69,394 | PUC |
| Apr-Jun 2012 | 25-Apr-12 | CHINA P RP | 73043129 | NON ALLOY STEEL SEAMLESS PIPES API 5L GRADE X52 PSL2245MMX10.5MM | 24.00 | 73,536 | 17,64,854 | PUC |

Import Data from DGCIS [All Countries PUC]

Apr 2009 to Jun 2012

| Year | Date | Country | ITC-HS | Item-Des | Quantity (MT) | Price (Rs./MT) | Value (Rs) | PUC/ NPUC |
|--------------|-----------|-------------|----------|--|---------------|----------------|------------|--------------|
| Apr-Jun 2012 | 24-Apr-12 | CHINA P RP | 73043939 | SEAMLESS TUBE ASTM A 106 GRB 88.9X6.6MM (36 PCS) (MADE OF MS) | 24.00 | 55,654 | 13,35,691 | PUC |
| Apr-Jun 2012 | 09-Apr-12 | CHINA P RP | 73049000 | CARBON STEEL SEAMLESS PIPES ASTM A 106 GR.B | 24.00 | 45,032 | 10,80,779 | PUC |
| Apr-Jun 2012 | 16-Apr-12 | CHINA P RP | 73041910 | SEAMLESS STEEL PIPES(SIZE 89 MM, THICKNESS 7.62 MM) | 24.00 | 43,025 | 10,32,591 | PUC |
| Apr-Jun 2012 | 25-Apr-12 | CHINA P RP | 73041910 | SEAMLESS STEEL PIPES ASTM A 106 GRB 133MMX4.5M(L) | 24.00 | 42,533 | 10,20,784 | PUC |
| Apr-Jun 2012 | 10-Apr-12 | CHINA P RP | 73049000 | SEAMLESS CARBON STEEL PIPES : API SPEC 5L B PSL 1/ ASTM A106 B (114.3 MM X 6.02 | 23.91 | 45,632 | 10,91,158 | PUC |
| Apr-Jun 2012 | 27-Apr-12 | ITALY | 73044900 | COLD DRAWN SEAMLESS TUBE DIN2391 ST52 NBK SIZE 60 OD X 48 ID (+/-0.3) X 5000-580 | 23.42 | 56,422 | 13,21,621 | PUC |
| Apr-Jun 2012 | 13-Apr-12 | CHINA P RP | 73041990 | BEARING QUALITY STEEL TUBE SIZE 81.0*8.5 (2 BUNDLES) | 23.39 | 71,579 | 16,74,009 | PUC |
| Apr-Jun 2012 | 03-Apr-12 | JAPAN | 73049000 | SEAMLESS ALLOY STEEL TUBES JIS G3441 SCM415TK 34.00MM OD X 26.00MM ID X 5M | 23.08 | 1,78,772 | 41,25,339 | PUC |
| Apr-Jun 2012 | 20-Apr-12 | U ARAB EMTS | 73049000 | SECONDARY DEFECTIVE CARBON STEEL SEAMLESS PIPE FITTING & FLANGES | 23.00 | 31,464 | 7,23,662 | PUC |
| Apr-Jun 2012 | 20-Apr-12 | U ARAB EMTS | 73049000 | CARBON STEEL PIPES (SECONDARY DEFECTIVE) NON ALLOY | 23.00 | 29,530 | 6,79,179 | PUC |
| Apr-Jun 2012 | 02-Apr-12 | CHINA P RP | 73041920 | SEAMLESS PIPE 13 9.5/8 212X271X29.5 K-55 | 23.00 | 1,39,867 | 32,16,949 | PUC |
| Apr-Jun 2012 | 26-Apr-12 | CHINA P RP | 73043919 | SEAMLESS STEEL TUBES(SIZE 45MMX7.25MMX5100-5800MM) ST 52.3 BKS | 23.00 | 58,093 | 13,36,147 | PUC |
| Apr-Jun 2012 | 21-Apr-12 | CHINA P RP | 73041910 | COLD DRAWN SEAMLESS STEE | 23.00 | 57,435 | 13,20,995 | PUC |
| Apr-Jun 2012 | 17-Apr-12 | KOREA RP | 73069090 | BEARING SEAMLESS STEEL TUBES - 6301 IR - 20.4X4.8MM (COMPOSITION- C-0.95-1.05,MN | 22.96 | 81,370 | 18,68,255 | PUC |
| Apr-Jun 2012 | 17-Apr-12 | CHINA P RP | 73049000 | SEAMLESS ALLOY STEEL TUBES JIS G3441 SCM415TK 34.00MM OD X 26.00MM ID X 5M | 22.26 | 1,77,407 | 39,48,183 | PUC |
| Apr-Jun 2012 | 28-Apr-12 | U S A | 73041910 | SEAMLESS STEEL PIPES ASTM A 106 GRB | 22.00 | 33,661 | 7,40,538 | PUC |
| Apr-Jun 2012 | 19-Apr-12 | CHINA P RP | 73043119 | TUBES. 44.5MM OD X 4MM THK X LENGTH 10-11.8 M GRADE SA210GR.A1[457 PCS 4961.40 | 21.59 | 47,958 | 10,35,363 | PUC |
| Apr-Jun 2012 | 23-Apr-12 | CHINA P RP | 73041990 | HOT FINISHED CARBON STEEL SEAMLES PIPE (DIM.(MM) 186X100X41) | 21.37 | 53,560 | 11,44,577 | PUC |
| Apr-Jun 2012 | 09-Apr-12 | CHINA P RP | 73042390 | DRILL PIPE, 5 G-105 GD, R-II 19.5 PPF, 78 PCS | 21.33 | 1,66,687 | 35,54,893 | PUC |
| Apr-Jun 2012 | 03-Apr-12 | CHINA P RP | 73049000 | CARBON STEEL SEAMLESS PIPE | 21.00 | 42,910 | 9,01,104 | PUC |
| Apr-Jun 2012 | 24-Apr-12 | GERMANY | 73043129 | A2V00001993206 TUBE HFCHS (5.30 M) (STEEL TUBES RO 203X50) | 20.76 | 1,53,719 | 31,91,211 | PUC |
| Apr-Jun 2012 | 23-Apr-12 | CHINA P RP | 73043119 | COLD DRAWN SEAMLESS STEEL TUBE 31.2*8.5*5800 MM | 20.57 | 62,635 | 12,88,409 | PUC |
| Apr-Jun 2012 | 09-Apr-12 | CHINA P RP | 73049000 | PIN STEEL TUBE SCM415H ,OD12.30MM X ID8.00MM, LENGTH:3000MM-5000MM | 20.00 | 1,45,125 | 29,02,501 | PUC |
| Apr-Jun 2012 | 28-Apr-12 | CHINA P RP | 73049000 | SEAMLESS STEEL TUBES19.7 MM OD X 2.65 MM WT | 20.00 | 89,654 | 17,93,075 | PUC |
| Apr-Jun 2012 | 16-Apr-12 | CHINA P RP | 73043119 | SEAMLESS CARBON STEEL PIPES ASTM A106 GR.B SIZE-273MM X 6.5MM X 5.8M | 20.00 | 45,810 | 9,16,200 | PUC |
| Apr-Jun 2012 | 30-Apr-12 | CHINA P RP | 73043119 | CARBON STEEL SEAMLESS PIPES (273X30X5800MM) | 20.00 | 36,400 | 7,27,994 | PUC |
| Apr-Jun 2012 | 16-Apr-12 | CHINA P RP | 73043139 | SKIVED & BURNISHED TUBES ST 52 OR P20 BK +S CONDITION ID-70X OD-85 | 19.57 | 58,682 | 11,48,526 | PUC |
| Apr-Jun 2012 | 27-Apr-12 | CHINA P RP | 73043139 | SKIVED & BURNISHED TUBES ST 52 OR P20 BK +S CONDITION ID-180 X OD-200 | 19.49 | 60,770 | 11,84,163 | PUC |
| Apr-Jun 2012 | 17-Apr-12 | JAPAN | 73049000 | ALLOY STEEL SEAMLESS STEEL TUBES O.D 54.55MM X W/TH 5.30MM | 19.27 | 1,86,731 | 35,98,941 | PUC |
| Apr-Jun 2012 | 04-Apr-12 | CHINA P RP | 73043121 | SKIVED & BURNISHED TUBES - SIZE: ID 200 X OD 230MM DIAMETER | 19.18 | 82,865 | 15,89,342 | PUC |
| Apr-Jun 2012 | 25-Apr-12 | CHINA P RP | 73043129 | NON ALLOY STEEL SEAMLESS PIPES API 5L GRADE X52 PSL2245MMX10.5MM | 19.00 | 73,391 | 13,94,420 | PUC |
| Apr-Jun 2012 | 26-Apr-12 | CHINA P RP | 73041990 | HIGH PRESSURE SEAMLESS STEEL TUBES (OD267XWT6MM 34CRM04) | 19.00 | 70,810 | 13,45,386 | PUC |
| Apr-Jun 2012 | 04-Apr-12 | CHINA P RP | 73045110 | SEAMLESS STEEL TUBE-GRADE SAE52100/GCR 15-55 X 7MM | 18.92 | 72,722 | 13,75,601 | PUC |
| Apr-Jun 2012 | 16-Apr-12 | U S A | 73049000 | SEAMLESS TUBES (6 BUNDLES CONTAINING 23 PIECES) | 18.45 | 1,45,066 | 26,76,055 | PUC |
| Apr-Jun 2012 | 24-Apr-12 | U S A | 73049000 | SECONDARY SECOND CHOICE CARBON STEEL SEAMLESS/WELDED PIPES | 18.00 | 29,857 | 5,37,431 | PUC |
| Apr-Jun 2012 | 19-Apr-12 | CHINA P RP | 73043919 | SEAMLESS STEEL TUBES (76.2MMX9.54MMX5800MM)EN10305-1,E235+C | 18.00 | 68,950 | 12,41,094 | PUC |
| Apr-Jun 2012 | 06-Apr-12 | CHINA P RP | 73045930 | SEAMLESS STEEL GAS CYLINDER TUBE SIZE: 267 MM X 7.5 MM (GRADE: 34CRM04) | 18.00 | 65,572 | 11,80,297 | PUC |
| Apr-Jun 2012 | 16-Apr-12 | CHINA P RP | 73049000 | CARBON STEEL SEAMLESS PIPES GRADE SAE1045 | 17.97 | 38,110 | 6,84,875 | PUC |
| Apr-Jun 2012 | 30-Apr-12 | KOREA RP | 73069090 | COLD DRAWN STEEL TUBE (105X90X4,650) | 17.12 | 99,304 | 17,00,081 | PUC |
| Apr-Jun 2012 | 17-Apr-12 | U ARAB EMTS | 73049000 | M.S. DEFECTIVE PIPES | 17.00 | 29,965 | 5,09,405 | PUC |
| Apr-Jun 2012 | 18-Apr-12 | U S A | 73069090 | COLD DRAWN SEAMLESS TUBE (SIZE: 146.06 MM OD X 107.95 MM ID) (RTMZJNU10801460) | 16.78 | 4,07,687 | 68,39,625 | PUC |

**Import Data from DGCIS [All Countries PUC]
Apr 2009 to Jun 2012**

| Year | Date | Country | ITC-HS | Item-Des | Quantity (MT) | Price (Rs./MT) | Value (Rs) | PUC/ NPUC |
|--------------|-----------|------------|----------|---|---------------|----------------|------------|--------------|
| Apr-Jun 2012 | 02-Apr-12 | CHINA P RP | 73043919 | SEAMLESS STEEL TUBES (GRADE EN10305-1,2010,E235+C)(SIZE : 82.5 MM X 9.5 MM 3 X 5 | 16.00 | 56,285 | 9,00,557 | PUC |
| Apr-Jun 2012 | 05-Apr-12 | JAPAN | 73049000 | ALLOY STEEL SEAMLESS STEEL TUBES OD 47.55MM X W/TH 5.30MM | 15.81 | 2,30,523 | 36,44,648 | PUC |
| Apr-Jun 2012 | 23-Apr-12 | CHINA P RP | 73045110 | (MS SEAMLESS TUBE) COLD DRAWN READY TO HONE PRECISION TUBE(90X100)(APTA CERT NO: | 15.55 | 67,390 | 10,47,922 | PUC |
| Apr-Jun 2012 | 23-Apr-12 | ITALY | 73041990 | SEAMLESS | 15.00 | 1,71,134 | 25,67,014 | PUC |
| Apr-Jun 2012 | 16-Apr-12 | QATAR | 73062919 | SECONDARY SECOND CHOICE CARBON STEEL PIPES | 15.00 | 29,001 | 4,35,008 | PUC |
| Apr-Jun 2012 | 16-Apr-12 | CHINA P RP | 73043919 | SEAMLESS STEEL TUBES CK 20 (OD 82 MM X ID 69.60 MM X LENGTH 5800 MM) | 15.00 | 65,997 | 9,89,962 | PUC |
| Apr-Jun 2012 | 02-Apr-12 | CHINA P RP | 73043919 | SEAMLESS STEEL PIPES (GRADE - ST52 BK)(SIZE : 38.1MM X 4.7MM X 4000MM) | 15.00 | 62,671 | 9,40,061 | PUC |
| Apr-Jun 2012 | 17-Apr-12 | CHINA P RP | 73043119 | HYDRAULIC CYLINDER TUBE (SIZE: 105 X 90 MM) | 14.92 | 68,849 | 10,27,154 | PUC |
| Apr-Jun 2012 | 11-Apr-12 | CHINA P RP | 73042390 | DRILL PIPE, 5 G-105 GD, R-II 19.5 PPF, 53 PCS | 14.48 | 1,66,916 | 24,16,778 | PUC |
| Apr-Jun 2012 | 03-Apr-12 | GERMANY | 73043919 | SEAMLESS STEEL TUBES OD:6.00 MM ID: 1.6 MM | 14.31 | 3,79,653 | 54,32,670 | PUC |
| Apr-Jun 2012 | 24-Apr-12 | CHINA P RP | 73043919 | SEAMLESS CARBON STEEL TUBES)GRADE DIN2391,ST35.NBK)(SIZE : 16MM X 0.95 MM)(LENGH | 14.00 | 1,23,733 | 17,32,263 | PUC |
| Apr-Jun 2012 | 21-Apr-12 | CHINA P RP | 73045110 | SEAMLESS STEEL TUBE (GRADE SEA1541)ASTM A519(SIZE:88.9X5.5X3100MM)CERT#011211131 | 14.00 | 62,974 | 8,81,635 | PUC |
| Apr-Jun 2012 | 10-Apr-12 | CHINA P RP | 73042390 | DRILL PIPE 5 19.5 PPF S-135 RH IEU, 50 PCS | 13.78 | 1,76,449 | 24,31,920 | PUC |
| Apr-Jun 2012 | 17-Apr-12 | CHINA P RP | 73043129 | HYDRAULIC CYLINDER TUBE (SIZE: 200 X 180 MM) | 13.78 | 55,886 | 7,70,145 | PUC |
| Apr-Jun 2012 | 20-Apr-12 | U S A | 73049000 | OILWELL EQUIPMENT: PIPE CS SMLS .24 .SCH 40 .API 5L/A 106 GRB/X42.PSL2.12M (53. | 13.58 | 1,68,637 | 22,89,417 | PUC |
| Apr-Jun 2012 | 07-Apr-12 | CHINA P RP | 73043919 | SEAMLESS STEEL TUBE(SIZE:21.4MMX2.5MMX5100MM-5800MM) | 13.53 | 53,622 | 7,25,509 | PUC |
| Apr-Jun 2012 | 24-Apr-12 | CHINA P RP | 73043129 | HYDRAULIC CYLINDER TUBE (SIZE: 146 X 125 MM) | 13.16 | 76,074 | 10,01,307 | PUC |
| Apr-Jun 2012 | 10-Apr-12 | CHINA P RP | 73043119 | NON ALLOY STEEL SEAMLESS PIPES API 5L GRADE B 88.9MMX5.49MM | 13.00 | 59,291 | 7,70,781 | PUC |
| Apr-Jun 2012 | 02-Apr-12 | CHINA P RP | 73043911 | CARBON STEEL SEAMLESS PIPE83X5X5000-7000 | 13.00 | 51,542 | 6,70,046 | PUC |
| Apr-Jun 2012 | 27-Apr-12 | CHINA P RP | 73043919 | SEAMLESS STEEL TUBE (SY2011-0206/PO1191)(SIZE : 27.85 MM X 6.2 MM X 4500MM-5200M | 12.85 | 56,606 | 7,27,382 | PUC |
| Apr-Jun 2012 | 07-Apr-12 | JAPAN | 73049000 | COLD DRAWN SEAMLESS TUBE (PIN STEEL) ITEM NO. RGPP102514.20 (+0.08/-0) X 10.5(+/- | 12.85 | 3,24,855 | 41,74,061 | PUC |
| Apr-Jun 2012 | 02-Apr-12 | CHINA P RP | 73066100 | SEAMLESS HOLLOW SECTION (COLD FINISHED)127*228*9.5SEAMLESS HOLLOW SECTION (COL | 12.34 | 45,087 | 5,56,438 | PUC |
| Apr-Jun 2012 | 12-Apr-12 | FRANCE | 73043911 | CARBON STEEL SEAMLESS PIPES (SA106) SIZE: OD 88.9MM X WT 15MM | 12.18 | 84,042 | 10,23,715 | PUC |
| Apr-Jun 2012 | 07-Apr-12 | JAPAN | 73049000 | COLD DRAWN SEAMLESS TUBE (PIN STEEL) ITEM NO. RGPP102919.20 (+0.08/-0) X 11.5(+/- | 11.91 | 3,08,980 | 36,80,266 | PUC |
| Apr-Jun 2012 | 24-Apr-12 | CHINA P RP | 73049000 | SEAMLESS CARBON STEEL PIPE | 11.58 | 59,747 | 6,91,626 | PUC |
| Apr-Jun 2012 | 20-Apr-12 | CHINA P RP | 73042390 | VERMEER D80X100FSI DRILL PIPE 15 EACH [HUNTING BRAND] (100NOS) [DTLS. AS PER I | 11.11 | 2,86,181 | 31,80,331 | PUC |
| Apr-Jun 2012 | 10-Apr-12 | OMAN | 73069090 | SECONDARY AND DEFECTIVE M.S. PIPE | 11.00 | 28,191 | 3,10,096 | PUC |
| Apr-Jun 2012 | 02-Apr-12 | CHINA P RP | 73043911 | CARBON STEEL SEAMLESS PIPE83X5X5000-7000 | 11.00 | 50,296 | 5,53,252 | PUC |
| Apr-Jun 2012 | 21-Apr-12 | KOREA RP | 73049000 | 331148164 TUBE STEEL 70.0 X 10.0 MM S355J2H | 10.64 | 1,75,993 | 18,73,030 | PUC |
| Apr-Jun 2012 | 09-Apr-12 | CHINA P RP | 73049000 | SUPPLY OF ASSORTED PIPES -PIPE,API 5L GR B PSL2,BE,SEAMLESS,(112.59 MTR) | 10.28 | 78,149 | 8,02,979 | PUC |
| Apr-Jun 2012 | 24-Apr-12 | CHINA P RP | 73043919 | SEAMLESS CARBON STEEL TUBES (GRADE DIN2391,ST35,NBK)(SIZE : 10MM X 0.95 MM) (LEN | 10.00 | 1,31,490 | 13,14,895 | PUC |
| Apr-Jun 2012 | 27-Apr-12 | CHINA P RP | 73043919 | SEAMLESS STEEL TUBE (SY2011-0206/PO1191)(SIZE : 27.85 MM X 6.2 MM X 4500MM-5200M | 9.88 | 56,606 | 5,59,263 | PUC |
| Apr-Jun 2012 | 11-Apr-12 | CHINA P RP | 73049000 | HOT FINISHED CARBON STEEL SEAMLESS MOTHER PIPES [140MM X 19.05MM X 8.6M] [9.5 | 9.50 | 62,923 | 5,97,765 | PUC |
| Apr-Jun 2012 | 25-Apr-12 | GERMANY | 73043919 | SEAMLESS COLD-DRAWN SINGLE- WALL STEEL TUBES OD:6.00MM ID:1.60MM (QTY.8736 METRE | 9.10 | 3,05,578 | 27,80,455 | PUC |
| Apr-Jun 2012 | 19-Apr-12 | CHINA P RP | 73049000 | PIN STEEL TUBE SCM415H OD14.30MMXID10.00MM LENGTH:3000MM-5000MM | 9.00 | 1,48,089 | 13,32,805 | PUC |
| Apr-Jun 2012 | 21-Apr-12 | CHINA P RP | 73045110 | SEAMLESS STEEL TUBE (GRADE SEA1541)ASTM A519(SIZE:88.9X5.5X3100MM)CERT#011211131 | 9.00 | 61,093 | 5,49,835 | PUC |
| Apr-Jun 2012 | 10-Apr-12 | CHINA P RP | 73043129 | NON ALLOY STEEL SEAMLESS PIPES API 5L GRADE B 219.1MMX10.31MM | 9.00 | 59,067 | 5,31,603 | PUC |
| Apr-Jun 2012 | 21-Apr-12 | CHINA P RP | 73041990 | SEAMLESS PIPE AS PER API 5L/ASTM A 106 GR.B | 9.00 | 54,598 | 4,91,382 | PUC |
| Apr-Jun 2012 | 18-Apr-12 | CHINA P RP | 73049000 | CARBON STEEL SEAMLESS PIPES ACCORDING TO ASTM A106 GR.B | 9.00 | 51,625 | 4,64,628 | PUC |
| Apr-Jun 2012 | 24-Apr-12 | CHINA P RP | 73043119 | HYDRAULIC CYLINDER TUBE (SIZE: 83 X 70 MM) | 8.86 | 97,305 | 8,61,822 | PUC |
| Apr-Jun 2012 | 17-Apr-12 | GERMANY | 73043911 | SMLS ALLOY STEEL PIPES (DIN 16MO3) SIZE: 273.0 X 8.0MM | 8.16 | 64,288 | 5,24,520 | PUC |

**Import Data from DGCIS [All Countries PUC]
Apr 2009 to Jun 2012**

| Year | Date | Country | ITC-HS | Item-Des | Quantity (MT) | Price (Rs./MT) | Value (Rs) | PUC/ NPUC |
|--------------|-----------|------------|----------|--|---------------|----------------|------------|--------------|
| Apr-Jun 2012 | 07-Apr-12 | CHINA P RP | 73043919 | SEAMLESS STEEL TUBE(SIZE : 26MM X 2.5MM X 5100MM-5800MM) | 8.07 | 53,302 | 4,30,151 | PUC |
| Apr-Jun 2012 | 07-Apr-12 | ROMANIA | 73043911 | SEAMLESS CARBON STEEL TUBES(TO SPEC SA 210)SIZE AS PER INVOICE | 8.00 | 86,717 | 6,93,737 | PUC |
| Apr-Jun 2012 | 17-Apr-12 | TAIWAN | 73042990 | HONED TUBE WITH O.D.HARD CHROME PLATED ST 52 DIA 50MM*60MM*1017MM (22PCS) | 7.45 | 1,74,440 | 12,99,055 | PUC |
| Apr-Jun 2012 | 21-Apr-12 | THAILAND | 73049000 | PIN STEEL TUBE SCM415H , OD19.30MM X ID11.06MM | 7.44 | 3,14,308 | 23,37,821 | PUC |
| Apr-Jun 2012 | 19-Apr-12 | CHINA P RP | 73043129 | SEAMLESS PIPES CARBON STEEL SEAMLESS PIPE 140*12* MM(9.3-9.8METER) GRADE 20#8162 | 7.28 | 45,268 | 3,29,690 | PUC |
| Apr-Jun 2012 | 17-Apr-12 | JAPAN | 73045930 | HOT FINISHED AS PIPES AND TUBES AS SIZE 273.0 OD X 9.27 WTX9000 MM LG.(CERT.NO.1 | 7.24 | 3,04,315 | 22,02,484 | PUC |
| Apr-Jun 2012 | 24-Apr-12 | GERMANY | 73049000 | A2V00001993206 TUBE HFCHS (37.5 M) (STEEL TUBES RO 230X50) | 7.07 | 1,53,320 | 10,83,972 | PUC |
| Apr-Jun 2012 | 07-Apr-12 | ROMANIA | 73043911 | SEAMLESS CARBON STEEL TUBES(TO SPEC SA 210)SIZE AS PER INVOICE | 7.00 | 83,606 | 5,85,245 | PUC |
| Apr-Jun 2012 | 25-Apr-12 | CHINA P RP | 73043119 | NON ALLOY STEEL SEAMLESS PIPES API 5L GRADE B 114.3MMX8.56MM | 7.00 | 58,848 | 4,11,935 | PUC |
| Apr-Jun 2012 | 02-Apr-12 | CHINA P RP | 73043919 | SEAMLESS STEEL TUBES (GRADE EN10305-1,2010,E235+C)(SIZE : 69.85 MM X 6.35MM X 5. | 7.00 | 54,277 | 3,79,939 | PUC |
| Apr-Jun 2012 | 04-Apr-12 | CHINA P RP | 73045120 | (MS SEAMLESS TUBE) COLD DRAWN READY TO HONE PRECISION TUBE)(100X115)(APTA CERTIF | 6.96 | 80,155 | 5,58,007 | PUC |
| Apr-Jun 2012 | 30-Apr-12 | CHINA P RP | 73041190 | SEAMLESS HOLLOW SECTIONS TUBE 127X254X6.5MM | 6.96 | 1,88,806 | 13,13,372 | PUC |
| Apr-Jun 2012 | 23-Apr-12 | GERMANY | 73049000 | R900605241 CYLINDER TUBES SEAMLESS (42.35 MTR) | 6.81 | 1,51,577 | 10,31,783 | PUC |
| Apr-Jun 2012 | 12-Apr-12 | FRANCE | 73041190 | HOLLOW SEAMLESS BARS 20MV6Q2-TOL.+/-10% WE DECLINE 45X12.5MM (Z 45X23X5800) (DE | 6.71 | 1,41,938 | 9,52,685 | PUC |
| Apr-Jun 2012 | 19-Apr-12 | BELGIUM | 73043129 | HP TUBES 2.4 X 6 ST 52 - INJECTEURS HAUTE PRESSION (34806 MTR) 5801 PCS | 6.31 | 6,59,697 | 41,64,005 | PUC |
| Apr-Jun 2012 | 07-Apr-12 | JAPAN | 73049000 | COLD DRAWN SEAMLESS STEEL TUBE ITEM NO. O.D. 13.20MM X I.D.9.00MM GRADE SCM-415H | 6.19 | 3,71,681 | 22,99,965 | PUC |
| Apr-Jun 2012 | 27-Apr-12 | JAPAN | 73049000 | COLD DRAWN SEAMLESS STEEL TUBE (FOR PISTON PIN) GRADE SCM-415H (JIS G 4052) | 6.10 | 3,77,198 | 23,00,531 | PUC |
| Apr-Jun 2012 | 04-Apr-12 | CHINA P RP | 73041990 | SEAMLESS PIPES, LENGTH: 218MM, OUTER DIAMETER: 37MM, INNER DIAMETER: 35MM (FOR C | 6.00 | 1,55,579 | 9,33,476 | PUC |
| Apr-Jun 2012 | 17-Apr-12 | CHINA P RP | 73042390 | PUP JOINT OD 2-7/8 , 10.4 PPF, G-105, EU/LH LENGTH 9FT. | 6.00 | 1,29,356 | 7,76,133 | PUC |
| Apr-Jun 2012 | 02-Apr-12 | CHINA P RP | 73043919 | SEAMLESS STEEL TUBES ,BK,3.5-4.5 METER C-45C - 45 (SIZE 27.85MM X 15.45MM) | 6.00 | 61,397 | 3,68,382 | PUC |
| Apr-Jun 2012 | 16-Apr-12 | GERMANY | 73041190 | CARBON AND ALLOYED STEEL TUBES 44.5X5.4X3250MM FOR PAPER BOARDS INDUSTRY | 6.00 | 3,00,740 | 18,04,082 | PUC |
| Apr-Jun 2012 | 23-Apr-12 | CHINA P RP | 73045120 | (MS SEAMLESS TUBE) COLD DRAWN READY TO HONE PRECISION TUBE(140X160)(APTA CERT NO | 5.81 | 77,506 | 4,50,295 | PUC |
| Apr-Jun 2012 | 17-Apr-12 | JAPAN | 73045920 | HOT FINISHED AS PIPES AND TUBES AS SIZE 219.1 OD X 8.18 WTX11000 MM LG.(CERT.NO. | 5.49 | 3,04,896 | 16,74,099 | PUC |
| Apr-Jun 2012 | 03-Apr-12 | JAPAN | 73049000 | 127PIH031 STKM11A E-C 38.0 X 1.6 X 3500-4000 STEEL TUBE FOR FUEL PUMP (CAPTIV | 5.47 | 2,51,575 | 13,75,610 | PUC |
| Apr-Jun 2012 | 17-Apr-12 | JAPAN | 73049000 | 127PIH032 STKM11A E-C 38.0 X 1.6 X 3500-4000 STEEL TUBE FOR FUEL PUMP (CAPTIVE | 5.45 | 2,51,575 | 13,72,088 | PUC |
| Apr-Jun 2012 | 09-Apr-12 | CHINA P RP | 73045110 | BEARING QUALITY STEEL TUBE SAE52100 SIZE:42.4*6.0MM | 5.32 | 66,950 | 3,55,839 | PUC |
| Apr-Jun 2012 | 26-Apr-12 | CHINA P RP | 73045110 | BEARING QUALITY STEEL TUBE SAE52100 :42.4*6.0MM | 5.31 | 66,950 | 3,55,705 | PUC |
| Apr-Jun 2012 | 19-Apr-12 | CHINA P RP | 73043119 | SEAMLESS PIPE CARBON STEEL SEAMLESS PIPE 60*3* MM(7.5-7.8 METER) GRADE 20#8163 (| 5.05 | 48,244 | 2,43,534 | PUC |
| Apr-Jun 2012 | 07-Apr-12 | THAILAND | 73043911 | SEAMLESS CARBON STEEL TUBES(TO SPEC SA179)SIZE AS PER INVOICE | 5.00 | 1,17,454 | 5,87,269 | PUC |
| Apr-Jun 2012 | 20-Apr-12 | CHINA P RP | 73063090 | CDS TYPE TUBES(SIZE; 74.4 X 57.6 X 5200MM) | 5.00 | 97,466 | 4,87,329 | PUC |
| Apr-Jun 2012 | 16-Apr-12 | CHINA P RP | 73043929 | SEAMLESS STEEL TUBES CK 20 (OD 120 MM X ID 99.60 MM X LENGTH 5800 MM) | 5.00 | 63,618 | 3,18,091 | PUC |
| Apr-Jun 2012 | 02-Apr-12 | CHINA P RP | 73043911 | CARBON STEEL SEAMLESS PIPE83X5X5000-7000 | 5.00 | 47,937 | 2,39,684 | PUC |
| Apr-Jun 2012 | 17-Apr-12 | CHINA P RP | 73049000 | SEAMLESS ALLOY STEEL TUBES JIS G3441 SCM415TK 34.00MM OD X 26.00MM ID X 5M | 4.97 | 1,73,861 | 8,63,221 | PUC |
| Apr-Jun 2012 | 18-Apr-12 | HONG KONG | 73041110 | CARBON STEELTUBES STKM13A SH 190.7X6.0X1470MM FOR DUMP TRUCKINDUSTRY | 4.82 | 3,71,112 | 17,89,742 | PUC |
| Apr-Jun 2012 | 30-Apr-12 | GERMANY | 73043119 | COLD DRAWN SEAMLESS HYDRAULIC AND PNEUMATIC LINE PIPES (ROUND 28X24X2 COO:AUSTRI | 4.56 | 1,37,520 | 6,27,690 | PUC |
| Apr-Jun 2012 | 17-Apr-12 | GERMANY | 73043919 | SEAMLESS P+P HIGH-PRESSURE STEEL TUBES OD:6.350MM ID:1.800MM | 4.41 | 3,63,584 | 16,02,677 | PUC |
| Apr-Jun 2012 | 27-Apr-12 | JAPAN | 73049000 | COLD DRAWN SEAMLESS STEEL TUBE (FOR PISTON PIN) GRADE SCM-415H (JIS G 4052) | 4.04 | 3,77,198 | 15,25,012 | PUC |
| Apr-Jun 2012 | 07-Apr-12 | ITALY | 73069090 | MS PIPE PITTED & RUSTED | 4.00 | 34,373 | 1,37,490 | PUC |
| Apr-Jun 2012 | 19-Apr-12 | CHINA P RP | 73042390 | DRILL PIPE SHORT 5 IEU, RH, G-105, 19.5 PPF T/J OD 6-5/8 ID 3-1/4 NC-50, 1.5M | 4.00 | 1,55,124 | 6,20,495 | PUC |
| Apr-Jun 2012 | 10-Apr-12 | CHINA P RP | 73043911 | SEAMLESS CARBON STEEL TUBESIZE AS PER INVOICE | 4.00 | 1,45,126 | 5,80,505 | PUC |
| Apr-Jun 2012 | 20-Apr-12 | CHINA P RP | 73043119 | CARBON STEEL SEAMLESS PIPES OD 114.3 (MM) SIZE:6.02 MM X 10-12 M | 4.00 | 54,981 | 2,19,925 | PUC |

**Import Data from DGCIS [All Countries PUC]
Apr 2009 to Jun 2012**

| Year | Date | Country | ITC-HS | Item-Des | Quantity (MT) | Price (Rs./MT) | Value (Rs) | PUC/ NPUC |
|--------------|-----------|------------|----------|--|---------------|----------------|------------|--------------|
| Apr-Jun 2012 | 27-Apr-12 | U K | 73049000 | 3 NOS POLY CAST ROLL (PIPES) MATERIAL A27 GRADE N1 (WARRANTY REPLACEMENT CARGO | 3.75 | 1,00,541 | 3,77,029 | PUC |
| Apr-Jun 2012 | 27-Apr-12 | GERMANY | 73043919 | SEAMLESS COLD-DRAWN SINGLE-WALL STEEL TUBES OD:6.00MM ID:1.60MM (QTY.16722 METRE | 3.52 | 3,04,469 | 10,70,512 | PUC |
| Apr-Jun 2012 | 21-Apr-12 | JAPAN | 73049000 | PIN STEEL TUBE -SCM415H- OD22.35MMX12 MM | 3.47 | 3,41,783 | 11,84,620 | PUC |
| Apr-Jun 2012 | 25-Apr-12 | THAILAND | 73069090 | CARBON STEEL PIPE - 9 X 0.6 X 2200MM | 3.42 | 1,70,768 | 5,83,901 | PUC |
| Apr-Jun 2012 | 26-Apr-12 | U S A | 73043939 | R900054072 HOT ROLLED SEAMLESS STEEL TUBES E355 EN10297 SZ:273 X 35 X 1180 MM (| 3.08 | 1,22,708 | 3,78,249 | PUC |
| Apr-Jun 2012 | 26-Apr-12 | JAPAN | 73049000 | COLD DRAWN SEAMLESS STEEL TUBE ITEM NO. O.D. 16.20MM X I.D.11.00MM GRADE SCR-420 | 3.07 | 3,73,932 | 11,46,103 | PUC |
| Apr-Jun 2012 | 27-Apr-12 | CHINA P RP | 73041990 | CARBON STEEL PIPE FITINGS | 3.00 | 84,413 | 2,53,240 | PUC |
| Apr-Jun 2012 | 25-Apr-12 | CHINA P RP | 73043119 | NON ALLOY STEEL SEAMLESS PIPES API 5L GRADE B 114.3MMX8.56MM | 3.00 | 57,875 | 1,73,624 | PUC |
| Apr-Jun 2012 | 20-Apr-12 | JAPAN | 73049000 | COLD DRAWN SEAMLESS STEEL TUBE (FOR PISTON PIN) GRADE SCM-415H (O.D. 13.40MM | 2.95 | 3,42,226 | 10,08,540 | PUC |
| Apr-Jun 2012 | 16-Apr-12 | CHINA P RP | 73049000 | CARBON STEEL SEAMLESS PIPES GRADE SAE1045 | 2.87 | 38,110 | 1,09,376 | PUC |
| Apr-Jun 2012 | 14-Apr-12 | GERMANY | 73043129 | SEAMLESS AND COLD DRAWN LOW-CARBON STEEL TUBING SAE J 403-95 | 2.62 | 91,024 | 2,38,118 | PUC |
| Apr-Jun 2012 | 20-Apr-12 | JAPAN | 73049000 | COLD DRAWN SEAMLESS STEEL TUBE (FOR PISTON PIN) GRADE SCM-415H (O.D. 13.40MM | 2.56 | 3,42,226 | 8,77,125 | PUC |
| Apr-Jun 2012 | 16-Apr-12 | THAILAND | 73043119 | STEEL PIPE -STKM-NB15 (OD 31.8 X 1.60 X 890 (FOR INDUSTRIAL USE) | 2.50 | 1,70,026 | 4,25,066 | PUC |
| Apr-Jun 2012 | 30-Apr-12 | ITALY | 73043911 | SEAMLESS PIPES (UNS S32205) NACE SIZE: 1 | 2.32 | 7,29,525 | 16,90,234 | PUC |
| Apr-Jun 2012 | 30-Apr-12 | GERMANY | 73049000 | SEAMLESS P+P PRECISION STEEL TUBES DIN2391-C 25CRMO4 14,900MM 12,000MM 1,450MM | 2.12 | 3,98,959 | 8,47,389 | PUC |
| Apr-Jun 2012 | 23-Apr-12 | FRANCE | 73049000 | TUBE Z6 CNT18SS HYPERTEMPE DE 12XEP0,8-LG COURANTE T013H1200X080/COURANTE LOT N | 2.00 | 1,77,330 | 3,54,659 | PUC |
| Apr-Jun 2012 | 19-Apr-12 | KOREA RP | 73069090 | MS UNUSED RUSTED & PITTED PIPES | 2.00 | 23,436 | 46,871 | PUC |
| Apr-Jun 2012 | 26-Apr-12 | CHINA P RP | 73041990 | TUBE, 44.5 X 5 (36 NOS) ; TUBE, 44.5 X 5.5 (38 NOS) (RO-OR II -G33-01-3/3) | 2.00 | 8,68,342 | 17,36,683 | PUC |
| Apr-Jun 2012 | 04-Apr-12 | CHINA P RP | 98010011 | PIPE, B 36.10,ASTM A 335 GR.P91, BE SEAMLESS,IBR,0.75 INCH S160 | 1.79 | 4,77,495 | 8,55,669 | PUC |
| Apr-Jun 2012 | 05-Apr-12 | U K | 73043919 | BOILER TUBES, SMLS 33.70 MM 2.60 MM - EN 10216-2 | 1.76 | 3,58,547 | 6,30,325 | PUC |
| Apr-Jun 2012 | 09-Apr-12 | HUNGARY | 73043129 | SEAMLESS AND COLD DRAWN LOW-CARBON STEEL TUBING SAE J 403-95 | 1.60 | 91,024 | 1,45,820 | PUC |
| Apr-Jun 2012 | 30-Apr-12 | GERMANY | 73041910 | SEAMLESS AND COLD DRAWN LOW CARBON STEEL TUBING (SAE J 403-95) (510 KGS) (PO NUM | 1.50 | 1,98,691 | 2,98,036 | PUC |
| Apr-Jun 2012 | 20-Apr-12 | JAPAN | 73049000 | COLD DRAWN SEAMLESS STEEL TUBE (FOR PISTON PIN) GRADE SCM-415H (O.D. 13.40MM | 1.38 | 3,42,226 | 4,72,614 | PUC |
| Apr-Jun 2012 | 04-Apr-12 | CHINA P RP | 73045120 | (MS SEAMLESS TUBE)COLD DRAWN READY TO HONE PRECISION TUBE(140X160X2650MM)(APTA C | 1.27 | 2,82,843 | 3,59,210 | PUC |
| Apr-Jun 2012 | 04-Apr-12 | CHINA P RP | 73045110 | (MS SEAMLESS TUBE) COLD DRAWN READY TO HONE PRECISION TUBE(70X83) (APTA CERTIFIC | 1.24 | 71,208 | 88,226 | PUC |
| Apr-Jun 2012 | 10-Apr-12 | GERMANY | 73043939 | SEAMLESS PIPES SA 106 | 1.20 | 1,56,994 | 1,88,393 | PUC |
| Apr-Jun 2012 | 18-Apr-12 | CHINA P RP | 73041910 | PLAIN END SEAMLESS PIPES (CASING PIPE) OF SIZE:5 OD (1114 MTRS = 24.702 MTS (OR | 1.13 | 1,38,736 | 1,56,772 | PUC |
| Apr-Jun 2012 | 07-Apr-12 | ISRAEL | 73044900 | V4-3-/16-0-SP TUBING | 1.09 | 1,13,159 | 1,23,230 | PUC |
| Apr-Jun 2012 | 23-Apr-12 | GERMANY | 73044100 | 91956094 HP TUBE1/4 INCH 0.35MM DUZE SAPHIT AUTOLINE 0.35MM | 1.00 | 1,50,175 | 1,50,175 | PUC |
| Apr-Jun 2012 | 14-Apr-12 | SINGAPORE | 73042390 | OILWELL EQUIPMENT SLIP, DRILLPIPE 3-1/2 IN 2-3/8 IN SDML | 1.00 | 1,37,038 | 1,37,038 | PUC |
| Apr-Jun 2012 | 11-Apr-12 | CHINA P RP | 73041910 | PLAIN END SEAMLESS PIPES OF SIZE 4-1/2 OD (923.970 MTRS = 32.390 MTS (OR) 89 PC | 1.00 | 2,69,200 | 2,69,200 | PUC |
| Apr-Jun 2012 | 25-Apr-12 | CHINA P RP | 73043919 | CARBON STEEL SEAMLESS TUBES (SIZE 33.4 X 7.5 X 7000 - 9000) | 1.00 | 81,339 | 81,339 | PUC |
| Apr-Jun 2012 | 28-Apr-12 | CHINA P RP | 73043921 | SEAMLESS CARBON STEEL PIPES(TO SPEC SA 106)SIZE AS PER INVOICE | 1.00 | 75,018 | 75,018 | PUC |
| Apr-Jun 2012 | 04-Apr-12 | CHINA P RP | 73045110 | (MS SEAMLESS TUBE) COLD DRAWN READY TO HONE PRECISION TUBE(45X55) (APTA CERTIFI | 1.00 | 54,064 | 54,064 | PUC |
| Apr-Jun 2012 | 26-Apr-12 | CHINA P RP | 73043939 | HYDRAULIC STEEL TUBE (198.5/245.5)(FOR CAPTIVE CONSUMPTION) | 0.92 | 93,353 | 86,165 | PUC |
| Apr-Jun 2012 | 17-Apr-12 | CHINA P RP | 73042390 | PUP JOINT OD 2-7/8 10.4 PPF, G-105, EU/RH LENGTH 12FT. | 0.62 | 27,40,599 | 17,06,360 | PUC |
| Apr-Jun 2012 | 25-Apr-12 | GERMANY | 73043919 | SEAMLESS COLD-DRAWN SINGLE-WALL STEEL TUBES OD:6.00MM ID:1.50MM (QTY.2980.80 M | 0.62 | 3,10,635 | 1,92,594 | PUC |
| Apr-Jun 2012 | 20-Apr-12 | ITALY | 73049000 | STEEL PIPE DIAM. 8 X 1 IN 6 MTRS ROLLS SEAMLESS LESS BLACK POLYTHENE COATED CODE | 0.59 | 7,46,557 | 4,41,962 | PUC |
| Apr-Jun 2012 | 27-Apr-12 | JAPAN | 73041990 | PIPE MATERIAL (OD 50.8*1.0MM*300MM) (AUTOMOBILE PARTS) CAPTIVE CONSUMPTION | 0.56 | 18,15,754 | 10,11,879 | PUC |
| Apr-Jun 2012 | 05-Apr-12 | U K | 73043119 | BOILER TUBES, SMLS 42.40 MM 2.60 MM - EN 10216-2 | 0.49 | 3,55,841 | 1,72,583 | PUC |
| Apr-Jun 2012 | 12-Apr-12 | CHINA P RP | 73045910 | SEAMLESS TUBES FOR MANUFACTURING OF OUTER BEARING RACES 6006OR-55.70X4.51 (OTHE | 0.44 | 1,35,48,979 | 59,41,938 | PUC |

**Import Data from DGCIS [All Countries PUC]
Apr 2009 to Jun 2012**

| Year | Date | Country | ITC-HS | Item-Des | Quantity (MT) | Price (Rs./MT) | Value (Rs) | PUC/ NPUC |
|--------------|-----------|----------------|----------|--|---------------|----------------|--------------|--------------|
| Apr-Jun 2012 | 23-Apr-12 | GERMANY | 73043919 | (ACTUAL USER) SUCTION TUBE 4WG90/94 (4661.221.001)(600 PCS.)(TRANSMISSION PART) | 0.41 | 7,71,472 | 3,17,075 | PUC |
| Apr-Jun 2012 | 05-Apr-12 | IRELAND | 73044900 | DRILLPIPE 076X6.3X6000 - 52-076-101041 (QTY - 05 PCS) | 0.36 | 3,77,767 | 1,35,996 | PUC |
| Apr-Jun 2012 | 27-Apr-12 | ITALY | 73043911 | SEAMLESS PIPES (ASTM A106 GR.B) SIZE: 3 | 0.33 | 17,20,230 | 5,69,396 | PUC |
| Apr-Jun 2012 | 04-Apr-12 | CHINA P RP | 73045910 | (MS SEAMLESS TUBE) HOT ROLLED TUBE(73X48) (APTA CERT NO:0112111302001117 DT:08.0 | 0.32 | 57,948 | 18,379 | PUC |
| Apr-Jun 2012 | 17-Apr-12 | CHINA P RP | 73042390 | PUP JOINT OD 3-1/2 , 13.3 PPF, G-105, EU/LH LENGTH 4FT. | 0.30 | 15,51,237 | 4,65,371 | PUC |
| Apr-Jun 2012 | 17-Apr-12 | CHINA P RP | 73042390 | PUP JOINT OD 3-1/2 , 13.3 PPF, G-105, EU/RH LENGTH 6FT. | 0.30 | 15,51,237 | 4,65,371 | PUC |
| Apr-Jun 2012 | 13-Apr-12 | GERMANY | 73043919 | (ACTUAL USER) SUCTION TUBE 4WG90/94 (4661.221.001)(300 PCS.)(TRANSMISSION PART) | 0.21 | 7,69,655 | 1,58,549 | PUC |
| Apr-Jun 2012 | 19-Apr-12 | ITALY | 73043919 | BOILER TUBES, SMLS - P235GH TC1 EN 10216-2 (6.180 MTR) - EN10204 | 0.20 | 3,59,353 | 73,308 | PUC |
| Apr-Jun 2012 | 03-Apr-12 | GERMANY | 73044900 | 2017733 CIRCULAR TUBES | 0.20 | 2,21,735 | 44,347 | PUC |
| Apr-Jun 2012 | 18-Apr-12 | GERMANY | 73044900 | 1259121 CIRCULAR TUBES | 0.20 | 1,68,740 | 33,748 | PUC |
| Apr-Jun 2012 | 30-Apr-12 | JAPAN | 73049000 | PIPE CS SMLS.2 .SCH 160. API 5L/A106 GRB/X42.PSL2.12MTR/DRL.BE..01-SAMSS-038.SID | 0.12 | 1,52,408 | 18,289 | PUC |
| Apr-Jun 2012 | 09-Apr-12 | GERMANY | 73044900 | 0198390 CIRCULAR TUBES | 0.10 | 3,11,580 | 31,158 | PUC |
| Apr-Jun 2012 | 30-Apr-12 | MALAYSIA | 73049000 | SEC/DEF TITANIUM SEAMLESS PIPE GRADE 2 | 0.10 | 77,910 | 7,791 | PUC |
| Apr-Jun 2012 | 13-Apr-12 | CHINA P RP | 73041990 | BEARING QUALITY STEEL TUBE SIZE 81.0*8.5 (1 BUNDLE) | 0.09 | 72,621 | 6,318 | PUC |
| Apr-Jun 2012 | 21-Apr-12 | FRANCE | 73049000 | MD-06-0002 TUBE IRO 20 | 0.02 | 1,31,300 | 2,626 | PUC |
| Apr-Jun 2012 | 02-Apr-12 | GERMANY | 73043939 | COMPRESSOR SPARE PARTS : PIPE | 0.02 | 4,18,444 | 7,532 | PUC |
| Apr-Jun 2012 | 02-Apr-12 | GERMANY | 73043119 | PIPE ST35 DIN 2391 15X1 (FOR CAPTIVE USE ONLY) | 0.01 | 4,19,360 | 4,490 | PUC |
| Apr-Jun 2012 | 28-Apr-12 | KUWAIT | 73042990 | M.S.REJECTED PIPES | 0.01 | 30,900 | 309 | PUC |
| Apr-Jun 2012 | 25-Apr-12 | JAPAN | 73049000 | TUBE 6219-71-5820 (STEEL TUBE)---FOR CAPTIVE CONUMPTION | 0.003 | 5,05,45,000 | 1,51,635 | PUC |
| Apr-Jun 2012 | 01-May-12 | U K | 73042390 | DRILL PIPES AND PUPJOINTS FOR,DRILL PIPE 5 G-105 GD,R-II19.5 PPF,(129BDL = 745 P | 6,978.00 | 4,990 | 3,48,18,315 | PUC |
| Apr-Jun 2012 | 31-May-12 | CHINA P RP | 73041910 | PLAIN END SEAMLESS PIPES (PRODUCTION TUBING) OF SIZE:3-1/2 OD GRADE:L80 (29398.0 | 1,682.79 | 52,288 | 8,79,88,820 | PUC |
| Apr-Jun 2012 | 16-May-12 | INDONESIA | 73062919 | SMLS STEEL PIPES HF CASING ACC.TO:API 5CT PSL3/ISO 11960 PSL3 STEEL:P110-END:TSH | 1,544.04 | 69,038 | 10,65,97,218 | PUC |
| Apr-Jun 2012 | 09-May-12 | CZECH REPUBLIC | 73049000 | STOCK LOT CARBON STEEL SEAMLESS LINE PIPES | 1,106.00 | 34,892 | 3,85,90,826 | PUC |
| Apr-Jun 2012 | 18-May-12 | CHINA P RP | 73042390 | EUE PRODUCTION TUBINGS 2-7/8 OD 6.5 PPF L-80 EUE, 8225 PCS | 767.40 | 65,378 | 5,01,70,478 | PUC |
| Apr-Jun 2012 | 25-May-12 | CHINA P RP | 73041910 | PLAIN END SEAMLESS COUPLING STOCK OF SIZE 7 OD (604.763 MTRS= 70.55 MTS (OR) 84 | 583.30 | 1,18,528 | 6,91,37,931 | PUC |
| Apr-Jun 2012 | 16-May-12 | CHINA P RP | 73062919 | COUPLINGS FOR 7 32# P110 HUNTING SEAL LOCK HC CASINGS WITH SPECIAL DRIFT TO 6 2 | 463.00 | 1,14,466 | 5,29,97,618 | PUC |
| Apr-Jun 2012 | 10-May-12 | SPAIN | 73049000 | TUBES (SA 179) SIZE: 50,8 X 4,572MM. THK(MIN) X 9674 MM (504177.00 KGS) | 458.91 | 1,16,339 | 5,33,89,935 | PUC |
| Apr-Jun 2012 | 14-May-12 | CHINA P RP | 73041910 | CARBON STEEL SEAMLESS MOTHER PIPES (HOT FINISH) 3 SCH80,OD:88.9(MM), WT:7.62(MM | 445.00 | 51,025 | 2,27,06,008 | PUC |
| Apr-Jun 2012 | 03-May-12 | CHINA P RP | 73041990 | SEAMLESS CARBON STEEL PI | 434.00 | 43,494 | 1,88,76,264 | PUC |
| Apr-Jun 2012 | 24-May-12 | U ARAB EMTS | 73049000 | CARBON STEEL SEAMLESS PIPES STOCK LOT | 413.00 | 33,874 | 1,39,89,834 | PUC |
| Apr-Jun 2012 | 21-May-12 | CHINA P RP | 73041990 | HGNAJPMX00000C0001 HOLLOW FOR GAS CYLNDER SMLS STEEL PIPES (325 PCS) SEAMLESS CY | 393.49 | 54,396 | 2,14,04,219 | PUC |
| Apr-Jun 2012 | 03-May-12 | CHINA P RP | 73049000 | CARBON STEEL SEAMLESS PIPES AS PER ASTM A 106 GR.B/API 5L GR.B | 368.00 | 37,544 | 1,38,16,359 | PUC |
| Apr-Jun 2012 | 01-May-12 | CHINA P RP | 73049000 | SEAMLESS STEEL TUBE FOR | 350.75 | 69,773 | 2,44,73,020 | PUC |
| Apr-Jun 2012 | 01-May-12 | CHINA P RP | 73043911 | SEAMLESS CARBON STEEL PIPES (TO SPEC SA106)SIZE AS PER INVOICE | 308.00 | 67,462 | 2,07,78,168 | PUC |
| Apr-Jun 2012 | 11-May-12 | NETHERLAND | 73049000 | SEAMLESS TUBES ACC. DIN EN 10210 127 X 14.2MM S355J2H | 307.19 | 12,352 | 37,94,506 | PUC |
| Apr-Jun 2012 | 07-May-12 | GERMANY | 73049000 | M.S SEAMLESS STEEL PIPES SECONDARY / DEFECTIVE | 263.73 | 30,071 | 79,30,381 | PUC |
| Apr-Jun 2012 | 17-May-12 | U K | 73042390 | DRILL PIPES & PUP JOINTS 2-7/8 OD EU, G-105, 10.4PPF, T/J4-1/8 , ID 2 , TAPER 18 | 262.82 | 2,70,438 | 7,10,75,148 | PUC |
| Apr-Jun 2012 | 10-May-12 | SAUDI ARAB | 73049000 | CARBON STEEL SECONDARY SEAMLESS PIPES | 256.00 | 31,912 | 81,69,541 | PUC |
| Apr-Jun 2012 | 08-May-12 | GERMANY | 73043119 | CARBON STEEL SEAMLESS PIPES (245X25MM) | 244.00 | 38,469 | 93,86,503 | PUC |
| Apr-Jun 2012 | 05-May-12 | ITALY | 73069090 | SEAMLESS STEEL TUBES FOR HYDRAULIC CYLINDER (OD:120.00MM XID:100.00MM) (RTW0GG01 | 235.58 | 1,21,370 | 2,85,91,986 | PUC |
| Apr-Jun 2012 | 30-May-12 | CHINA P RP | 73043119 | PRIME CDS HOLLOW SEAMLESS TUBES (49.9MM X 5.8MM X 4590) | 228.00 | 56,672 | 1,29,21,134 | PUC |

**Import Data from DGCIS [All Countries PUC]
Apr 2009 to Jun 2012**

| Year | Date | Country | ITC-HS | Item-Des | Quantity (MT) | Price (Rs./MT) | Value (Rs) | PUC/ NPUC |
|--------------|-----------|-------------|----------|--|---------------|----------------|-------------|--------------|
| Apr-Jun 2012 | 23-May-12 | BAHARAIN IS | 73049000 | SECONDARY SEAMLESS CARBON STEEL PIPES | 222.00 | 39,863 | 88,49,483 | PUC |
| Apr-Jun 2012 | 24-May-12 | CHINA P RP | 73049000 | CARBON STEEL SEAMLESS PIPE ASTM 106 GR.B/API 5L GR.B | 217.00 | 38,073 | 82,61,774 | PUC |
| Apr-Jun 2012 | 22-May-12 | CHINA P RP | 73042390 | HEAVY WEIGHT DRILL PIPES (PO NO. 4050007441 DT.03.11.2011)5 OD 50PPF HEAVY WEIGH | 216.06 | 1,95,962 | 4,23,39,165 | PUC |
| Apr-Jun 2012 | 30-May-12 | UKRAINE | 73049000 | SECONDARY CARBON STEEL SEAMLESS PIPES IN MIXED SIZES | 213.00 | 34,559 | 73,61,030 | PUC |
| Apr-Jun 2012 | 15-May-12 | BELGIUM | 73049000 | M S SEAMLESS STEEL PIPES SECONDARY/ DEFECTIVE | 212.45 | 30,071 | 63,88,364 | PUC |
| Apr-Jun 2012 | 18-May-12 | CHINA P RP | 73043119 | COLD DRAWN SEAMLESS STEEL PIPES ASTM A106 GR.B/APL 5L GR.B-SIZE:2-1/2 XSCH40X5.8 | 206.63 | 45,561 | 94,14,427 | PUC |
| Apr-Jun 2012 | 10-May-12 | U S A | 73049000 | SECONDARY SECON D CHOICE CARBON STEEL SEAMLESS/WELDED PIPES | 199.00 | 30,013 | 59,72,519 | PUC |
| Apr-Jun 2012 | 25-May-12 | CHINA P RP | 73045110 | SEAMLESS CARBON STEEL COLD DRAWN TUBES ASME SA210-2010 GR.A1 38.1*4.06*11000 | 194.76 | 59,887 | 1,16,63,642 | PUC |
| Apr-Jun 2012 | 30-May-12 | JAPAN | 73043939 | SEAMLESS CARBON STEEL PIPES - GRADE:API SPEC 5L B PSL 1/ASTM A106 B, SIZE: 168.3 | 188.00 | 49,175 | 92,44,817 | PUC |
| Apr-Jun 2012 | 03-May-12 | CHINA P RP | 73043939 | SEAMLESS STEEL BLACK PIPE AS PER API 5L/ASTM A106/A53 GRADEB 97*9 MM B 5-5.8M | 186.00 | 51,368 | 95,54,511 | PUC |
| Apr-Jun 2012 | 24-May-12 | CHINA P RP | 73041910 | SEAMLESS STEEL PIPES 4 X SCH 80 X 5.8M ASTM A 106 GRB | 184.00 | 44,390 | 81,67,824 | PUC |
| Apr-Jun 2012 | 28-May-12 | SPAIN | 73049000 | SECONDARY DEFECTIVE REJECTED LOW CARBON MILD STEEL SEAMLESSPIPES (SIZE : RANDOM | 168.00 | 31,569 | 53,03,617 | PUC |
| Apr-Jun 2012 | 05-May-12 | GERMANY | 73049000 | SECONDARY CARBON STEEL SEAMLESS PIPE | 167.00 | 29,986 | 50,07,617 | PUC |
| Apr-Jun 2012 | 14-May-12 | INDONESIA | 73042990 | (DRILLING EQUIPMENT) 9 5/8 OD CASING PIPE (SPECIAL DRIFTED WITH 8.5 DRIFT) GRAD | 166.95 | 1,16,252 | 1,94,07,772 | PUC |
| Apr-Jun 2012 | 01-May-12 | GERMANY | 73069090 | BOILER TIBES SMLS | 161.00 | 25,746 | 41,45,049 | PUC |
| Apr-Jun 2012 | 07-May-12 | U ARAB EMTS | 73049000 | OLD & USED IRON PIPES | 160.00 | 29,482 | 47,17,100 | PUC |
| Apr-Jun 2012 | 25-May-12 | CHINA P RP | 73043119 | COLD DRAWN SEAMLESS CARBON STEEL TUBES ST 52.4 (SIZE - 38 X4.5 X 10000-12000MM) | 159.24 | 59,027 | 93,99,264 | PUC |
| Apr-Jun 2012 | 28-May-12 | SPAIN | 73049000 | TUBES (SA 179) SIZE: 50,8 X 4,572MM. THK(MIN) X 9674 MM (166812 KGS) | 157.19 | 1,12,369 | 1,76,63,630 | PUC |
| Apr-Jun 2012 | 23-May-12 | CHINA P RP | 73041910 | PLAIN END SEAMLESS PIPES OF SIZE - 3-1/2 OD (1542.33 MTRS =34.80 MTS/167 PCS) | 153.94 | 1,38,097 | 2,12,57,968 | PUC |
| Apr-Jun 2012 | 08-May-12 | BELGIUM | 73049000 | SECONDARY CARBON SEAMLESS STEEL PIPES | 148.00 | 30,123 | 44,58,220 | PUC |
| Apr-Jun 2012 | 10-May-12 | CHINA P RP | 73049000 | CARBON STEEL SEAMLESS PIPES GRADE API SPEC 5L B PSL1/ASTM A106 B | 148.00 | 37,642 | 55,70,963 | PUC |
| Apr-Jun 2012 | 29-May-12 | CHINA P RP | 73043921 | SEAMLESS CARBON STEEL PIPES(TO SPEC.SA106C) | 147.00 | 71,258 | 1,04,74,892 | PUC |
| Apr-Jun 2012 | 22-May-12 | CHINA P RP | 73042390 | DRILL PIPES & PUP JOINTS 5 G-105, GD, R-II,19.5PPF,(93BDLS = 536PCS) (4999.320M | 145.05 | 1,71,989 | 2,49,47,164 | PUC |
| Apr-Jun 2012 | 10-May-12 | GERMANY | 73043121 | M.S. SEAMLESS PIPES,2ND CHOICE MIX | 139.00 | 36,664 | 50,96,324 | PUC |
| Apr-Jun 2012 | 10-May-12 | BELGIUM | 73049000 | SECONDARY ASSORTED CARBON SEAMLESS STEEL PIPES | 139.00 | 32,596 | 45,30,885 | PUC |
| Apr-Jun 2012 | 25-May-12 | CHINA P RP | 73069090 | CARBON SEAMLESS STEEL PIPE 134MM X 4.5MM X 6000MM | 134.00 | 57,570 | 77,14,382 | PUC |
| Apr-Jun 2012 | 10-May-12 | CHINA P RP | 73069090 | CARBON SEAMLESS STEEL PIPE 134MM X 4.5MM X 6000MM | 134.00 | 54,754 | 73,37,044 | PUC |
| Apr-Jun 2012 | 07-May-12 | CHINA P RP | 73069090 | SECONDARY AND DEFECTIVE RUSTED PITTED PIPE UNUSED | 133.00 | 32,102 | 42,69,586 | PUC |
| Apr-Jun 2012 | 11-May-12 | ITALY | 73049000 | COLD DRAWN SEAMLESS STEEL TUBE118,00 X9,00 E355 +SR4000-5800 | 131.99 | 79,694 | 1,05,19,045 | PUC |
| Apr-Jun 2012 | 28-May-12 | BELGIUM | 73049000 | SECONDARY ASSORTED CARBON SEAMLESS STEEL PIPES | 129.00 | 34,211 | 44,13,209 | PUC |
| Apr-Jun 2012 | 28-May-12 | CHINA P RP | 98010013 | SEAMLESS CARBON STEEL TUBES(S37/39/2011)TOSPEC. | 128.00 | 87,246 | 1,11,67,505 | PUC |
| Apr-Jun 2012 | 01-May-12 | PAKISTAN IR | 73049000 | SEAMLESS STEEL TUBE FOR | 125.00 | 69,773 | 87,21,675 | PUC |
| Apr-Jun 2012 | 19-May-12 | CHINA P RP | 73043119 | COLD DRAWN SEAMLESS STEEL TUBES 50MM OD X 38MM ID X 5.5M | 124.00 | 70,059 | 86,87,266 | PUC |
| Apr-Jun 2012 | 16-May-12 | CHINA P RP | 73043119 | COLD DRAWN SEAMLESS CARBON STEEL TUBES ASTM A-179 (SIZE 30 X 3 X10000 X11800) | 124.00 | 54,485 | 67,56,194 | PUC |
| Apr-Jun 2012 | 31-May-12 | CHINA P RP | 73049000 | MS SEAMLESS PIPE - 48.3MM*5.5MM*5.36MTR | 123.39 | 56,843 | 70,13,754 | PUC |
| Apr-Jun 2012 | 01-May-12 | CHINA P RP | 73043911 | SEAMLESS CARBON STEEL PIPES(TO SPEC SA 106)SIZE AS PER INVOICE | 123.00 | 67,190 | 82,64,349 | PUC |
| Apr-Jun 2012 | 16-May-12 | CHINA P RP | 73049000 | ALLOY STEEL SEAMLESS PIPES GRADE 42 CRMO (OD 114.3 MM) (WT 8.56 MM) (LENGTH- 4.1 | 123.00 | 47,682 | 58,64,884 | PUC |
| Apr-Jun 2012 | 23-May-12 | GERMANY | 73049000 | CARBON STEEL SEAMLESS PIPES | 122.00 | 38,017 | 46,38,077 | PUC |
| Apr-Jun 2012 | 18-May-12 | GERMANY | 73049000 | SEAMLESS P+P PRECISION STEEL TUBES (FOR CAPTIVE CONSUMPTION) | 119.98 | 46,229 | 55,46,541 | PUC |
| Apr-Jun 2012 | 24-May-12 | CHINA P RP | 73045910 | PRIME HOT FINISHED CARBON STEEL SEAMLESS PIPES GR.ASME SA106 GR B SIZE : 219.1* | 118.00 | 48,406 | 57,11,877 | PUC |
| Apr-Jun 2012 | 25-May-12 | CHINA P RP | 73049000 | MILD STEEL SEAMLESS PIPES CONFIRMING TO API 5L GR.B/ASTM A 106 GR.B | 115.00 | 39,607 | 45,54,790 | PUC |

**Import Data from DGCIS [All Countries PUC]
Apr 2009 to Jun 2012**

| Year | Date | Country | ITC-HS | Item-Des | Quantity (MT) | Price (Rs./MT) | Value (Rs) | PUC/ NPUC |
|--------------|-----------|------------|----------|--|---------------|----------------|-------------|--------------|
| Apr-Jun 2012 | 30-May-12 | UKRAINE | 73049000 | SECONDARY CARBON STEEL SEAMLESS PIPES IN MIXED SIZES | 112.00 | 34,437 | 38,56,948 | PUC |
| Apr-Jun 2012 | 01-May-12 | INDONESIA | 73043921 | SEAMLESS CARBON STEEL PIPES (TO SPEC SA106)SIZE AS PER INVOICE | 107.00 | 68,363 | 73,14,832 | PUC |
| Apr-Jun 2012 | 08-May-12 | HONG KONG | 73069090 | SECONDARY AND DEFECTIVE RUSTTED PITTED PIPES UNUSED | 106.00 | 32,345 | 34,28,524 | PUC |
| Apr-Jun 2012 | 28-May-12 | CHINA P RP | 73049000 | SECONDARY MILD STEEL SEAMLESS PIPES MIXED SIZES | 105.00 | 33,898 | 35,59,335 | PUC |
| Apr-Jun 2012 | 10-May-12 | ITALY | 73069090 | SEAMLESS STEEL TUBES FOR HYDRAULIC CYLINDER (OD; 165,0 MM XID: 140.00 MM) (RTW0G | 104.59 | 1,00,771 | 1,05,39,447 | PUC |
| Apr-Jun 2012 | 10-May-12 | CHINA P RP | 73049000 | MILD STEEL SEAMLESS PIPES ASTM A106 GR.B/API 5L GR.B/A53 GR.B | 103.56 | 39,893 | 41,31,399 | PUC |
| Apr-Jun 2012 | 10-May-12 | CHINA P RP | 73042390 | DRILL PIPE 5 19.5 PPF S-135 RH IEU(DRILL PIPES & PUP JOINTS FOR ELIGIBLE PEL/ML | 101.35 | 1,82,129 | 1,84,59,327 | PUC |
| Apr-Jun 2012 | 11-May-12 | CHINA P RP | 73042390 | DRILL PIPE 5 19.5 PPF S-135 RH IEU(DRILL PIPES & PUP JOINTS FOR ELIGIBLE PEL/ML | 101.32 | 1,82,225 | 1,84,63,728 | PUC |
| Apr-Jun 2012 | 22-May-12 | CHINA P RP | 73049000 | CARBON STEEL SEAMLESS PIPES | 101.00 | 37,757 | 38,13,418 | PUC |
| Apr-Jun 2012 | 23-May-12 | SPAIN | 73049000 | A1.1 PIPES 14 THK 51.28 | 100.00 | 62,162 | 62,16,180 | PUC |
| Apr-Jun 2012 | 23-May-12 | CHINA P RP | 73049000 | CARBON STEEL SEAMLESS PIPES ASTM A106 GR.B 273.1MM X 9.27 MM X 5-7 M | 100.00 | 47,462 | 47,46,240 | PUC |
| Apr-Jun 2012 | 22-May-12 | BELGIUM | 73049000 | SECONDARY ASSORTED CARBON SEAMLESS STEEL PIPES | 99.00 | 30,846 | 30,53,803 | PUC |
| Apr-Jun 2012 | 10-May-12 | CHINA P RP | 73042390 | DRILL PIPE 3-1/2 G-105,EU RH 13.3 PPF RH-II(DRILL PIPES& PUP JOINTS FOR ELIGIBL | 98.60 | 2,10,018 | 2,07,06,838 | PUC |
| Apr-Jun 2012 | 22-May-12 | CHINA P RP | 73045910 | SEAMLESS CARBON STEEL PIPES SMLS, 4 ,11.98M, S120,A106,B, BE IBR/539.100 MTRS / | 98.00 | 60,655 | 59,44,148 | PUC |
| Apr-Jun 2012 | 09-May-12 | ITALY | 73049000 | SECONDARY SEAMLESS CARBON STEEL PIPES | 97.00 | 32,772 | 31,78,911 | PUC |
| Apr-Jun 2012 | 15-May-12 | U S A | 73069090 | M.S.STEEL PIPE RUSTED & PITTED | 94.00 | 32,721 | 30,75,760 | PUC |
| Apr-Jun 2012 | 21-May-12 | KUWAIT | 73042990 | M.S.REJECTED PIPES | 94.00 | 31,739 | 29,83,452 | PUC |
| Apr-Jun 2012 | 24-May-12 | ITALY | 73049000 | SECONDARY SEAMLESS CARBON STEEL PIPES | 93.00 | 32,236 | 29,97,924 | PUC |
| Apr-Jun 2012 | 24-May-12 | CHINA P RP | 73069090 | CARBON STEEL PIPES-SEAML | 92.06 | 40,532 | 37,31,287 | PUC |
| Apr-Jun 2012 | 29-May-12 | CHINA P RP | 73043919 | SEAMLESS STEEL PIPES-GR.B-106-A (45*7.3*5100-5800) | 92.00 | 61,259 | 56,35,803 | PUC |
| Apr-Jun 2012 | 28-May-12 | CHINA P RP | 73043929 | CARBON STEEL SEAMLESS PIPES 8 X SCH80(219.1MM X 12.7MM) | 92.00 | 50,354 | 46,32,552 | PUC |
| Apr-Jun 2012 | 24-May-12 | CHINA P RP | 73043119 | SKIVED & BURNISHED TUBES (200X225X5210 MM.) | 91.54 | 24,880 | 22,77,655 | PUC |
| Apr-Jun 2012 | 29-May-12 | U S A | 73049000 | M S PIPES | 87.00 | 32,384 | 28,17,373 | PUC |
| Apr-Jun 2012 | 22-May-12 | CHINA P RP | 73042390 | DRILL PIPE 5 19.5 PPF S-135 RH IEU(SUPPLY OF DRILL PIPES & PUP JOINTS FOR ELIGI | 86.67 | 1,82,110 | 1,57,83,583 | PUC |
| Apr-Jun 2012 | 03-May-12 | CHINA P RP | 73045910 | SEAMLESS TUBES FOR MANUFACTURING OF INNER BEARING RACES 6301IR - 19.70 X 4.40 (| 86.00 | 79,726 | 68,56,407 | PUC |
| Apr-Jun 2012 | 14-May-12 | CHINA P RP | 73049000 | SEAMLESS PIPE OD121MM X 8MM (MO 0.006 NI 0.01) (ALLOY STEEL) | 85.00 | 54,302 | 46,15,670 | PUC |
| Apr-Jun 2012 | 23-May-12 | CHINA P RP | 73042390 | DRILL PIPE 3-1/2 G-105 EU RH 13.3 PPF RH-II(DRILL PIPES & PUP JOINTS FOR ELIGIB | 84.98 | 2,10,116 | 1,78,55,650 | PUC |
| Apr-Jun 2012 | 09-May-12 | SWEDEN | 73049000 | CARBON STEEL SEAMLESS PIPES GR.BS 4360 50E | 84.00 | 37,379 | 31,39,800 | PUC |
| Apr-Jun 2012 | 30-May-12 | CHINA P RP | 73045110 | BEARING QUALITY STEEL TUBE SAE 52100 (6205MOR) SIZE 52.20 X44.32MM | 82.31 | 70,409 | 57,95,677 | PUC |
| Apr-Jun 2012 | 29-May-12 | UKRAINE | 73049000 | CARBON STEEL SEAMLESS PIPES ASTM A106 GR.B OD 219.1X 11.13X 5950-6050 MM | 82.00 | 43,314 | 35,51,735 | PUC |
| Apr-Jun 2012 | 31-May-12 | CHINA P RP | 73045910 | BEARING SEAMLESS STEEL TUBE (6301 IR) (SIZE 20.3X4.65) | 82.00 | 80,188 | 65,75,407 | PUC |
| Apr-Jun 2012 | 16-May-12 | CHINA P RP | 73041910 | CARBON STEEL SEAMLESS TUBES(OD: 57.2MM,W/T:3.25MM,L:4.052M)SPEC. ASTMA 106 GRAD | 81.79 | 48,882 | 39,98,046 | PUC |
| Apr-Jun 2012 | 30-May-12 | UKRAINE | 73049000 | SECONDARY CARBON STEEL SEAMLESS PIPES IN MIXED SIZES | 81.00 | 34,334 | 27,81,094 | PUC |
| Apr-Jun 2012 | 28-May-12 | CHINA P RP | 73049000 | CARBON STEEL SEAMLESS PIPES ASTM A106/API 5L GR.B | 80.00 | 41,496 | 33,19,693 | PUC |
| Apr-Jun 2012 | 22-May-12 | JAPAN | 73049000 | CARBON SEAMLESS STEEL PIPE (SIZE:2.5NB X SCH80) (8 PCS) (MO03 NI 9) | 79.00 | 47,835 | 37,78,968 | PUC |
| Apr-Jun 2012 | 01-May-12 | CHINA P RP | 73043921 | SEAMLESS CARBON STEEL PIPES (TO SPEC SA 106)SIZE AS PER INVOICE | 79.00 | 67,451 | 53,28,613 | PUC |
| Apr-Jun 2012 | 17-May-12 | U K | 73042390 | DRILL PIPES & PUP JOINTS 2-7/8 EU LH 10.4PPF G-105,R-IITOLL JOINT 2-7/8 API IF | 77.21 | 2,70,438 | 2,08,79,381 | PUC |
| Apr-Jun 2012 | 25-May-12 | CHINA P RP | 73049000 | CARBON STEEL SEAMLESS PIPES ASTM A106 API 5L GR.B 48.3 X 3.7 (MIN) X 5800 MM(9 | 77.00 | 46,129 | 35,51,916 | PUC |
| Apr-Jun 2012 | 25-May-12 | CHINA P RP | 73049000 | CARBON STEEL SEAMLESS PIPES AAPI 5L GR.B / ASTM A106 GR.B | 77.00 | 39,377 | 30,32,017 | PUC |
| Apr-Jun 2012 | 23-May-12 | BELGIUM | 73049000 | M.S. SEAMLESS PIPES SECONDARY / DEFECTIVE | 76.99 | 30,071 | 23,15,250 | PUC |
| Apr-Jun 2012 | 10-May-12 | ITALY | 73049000 | SECONDARY SEAMLESS CARBON STEEL PIPES | 76.00 | 32,067 | 24,37,127 | PUC |

**Import Data from DGCIS [All Countries PUC]
Apr 2009 to Jun 2012**

| Year | Date | Country | ITC-HS | Item-Des | Quantity (MT) | Price (Rs./MT) | Value (Rs) | PUC/ NPUC |
|--------------|-----------|-------------|----------|--|---------------|----------------|-------------|--------------|
| Apr-Jun 2012 | 10-May-12 | ITALY | 73049000 | SECONDARY SEAMLESS CARBON STEEL PIPES | 75.00 | 31,730 | 23,79,715 | PUC |
| Apr-Jun 2012 | 09-May-12 | CHINA P RP | 73049000 | CARBON STEEL SEAMLESS PIPES | 75.00 | 40,291 | 30,21,829 | PUC |
| Apr-Jun 2012 | 14-May-12 | CHINA P RP | 73041910 | CARBON STEEL SEAMLESS MOTHER PIPE(HOT FINISH) | 74.00 | 63,195 | 46,76,440 | PUC |
| Apr-Jun 2012 | 30-May-12 | BELGIUM | 73043119 | SEAMLESS CARBON STEEL PIPES (ASTM A-106 GRADE : B) SIZE : 219.1 MM X 8.18 MM (3 | 73.00 | 41,756 | 30,48,161 | PUC |
| Apr-Jun 2012 | 16-May-12 | U K | 73062919 | PIPE, EAMLESS, 5 OD X 3 ID X 1 WT SMLS PIPE 4130 | 70.88 | 59,832 | 42,41,037 | PUC |
| Apr-Jun 2012 | 28-May-12 | CHINA P RP | 73043919 | SEAMLESS STEEL PIPES- 26*2.5*5100-5800 | 67.88 | 61,585 | 41,80,474 | PUC |
| Apr-Jun 2012 | 17-May-12 | CHINA P RP | 73045110 | BEARING QUALITY STEEL TUBE SAE-52100 AND SUJ-3 (TMB6005OR) SIZE 47.7 X 3.9MM | 66.75 | 68,214 | 45,53,014 | PUC |
| Apr-Jun 2012 | 22-May-12 | U S A | 73049000 | CARBON STEEL SEAMLESS PIPES STOCK LOT | 66.00 | 33,580 | 22,16,295 | PUC |
| Apr-Jun 2012 | 29-May-12 | KUWAIT | 73049000 | CARBON STEEL SECONDARY PIPE FITTINGS | 65.00 | 29,454 | 19,14,529 | PUC |
| Apr-Jun 2012 | 16-May-12 | CHINA P RP | 73041910 | COLD DRAW | 65.00 | 64,347 | 41,82,579 | PUC |
| Apr-Jun 2012 | 29-May-12 | CHINA P RP | 73043911 | SEAMLESS CARBON STEEL PIPES(TO SPEC.SA106C) | 63.00 | 71,843 | 45,26,097 | PUC |
| Apr-Jun 2012 | 10-May-12 | ITALY | 73069090 | SEAMLESS STEEL TUBES FOR HYDRAULIC CYLINDER (OD:160.00 MM XID 135.00 MM) (RTW0GG | 62.22 | 1,37,920 | 85,81,946 | PUC |
| Apr-Jun 2012 | 05-May-12 | CHINA P RP | 73043119 | SEAMLESS CARBON STEEL PIPES HFS FOR DIN 1629 ST52 (SIZE 127*10*5400 MM) | 61.00 | 56,453 | 34,43,647 | PUC |
| Apr-Jun 2012 | 22-May-12 | CHINA P RP | 73045920 | SEAMLESS CARBON STEEL PIPES SMLS, 6 ,7M, S40,A106,B, BE /7.000 MTRS /1 PCS | 61.00 | 54,441 | 33,20,905 | PUC |
| Apr-Jun 2012 | 11-May-12 | ITALY | 73069090 | SEAMLESS STEEL TUBES FOR HYDRAULIC CYLINDER (OD:111.13 MM XID:88,00 MM) | 59.17 | 1,84,785 | 1,09,33,970 | PUC |
| Apr-Jun 2012 | 02-May-12 | CHINA P RP | 73042390 | DRILL PIPES (S.O. NO.4050007518) 5 G-105 GD R-II, 19.5 PPF, 212 PCS | 57.94 | 1,75,144 | 1,01,48,718 | PUC |
| Apr-Jun 2012 | 10-May-12 | CHINA P RP | 73069090 | CARBON STEEL PIPES-SEAML | 57.81 | 60,841 | 35,17,328 | PUC |
| Apr-Jun 2012 | 02-May-12 | ITALY | 73043121 | SEAMLESS COLD DRAWN CUT TUBES (USED FOR HYDRAULIC CYLINDER COMPONENT CYLINDER) | 57.78 | 1,20,372 | 69,55,324 | PUC |
| Apr-Jun 2012 | 05-May-12 | CHINA P RP | 73049000 | CARBON STEEL SEAMLESS PIPES | 55.01 | 37,701 | 20,73,819 | PUC |
| Apr-Jun 2012 | 14-May-12 | U ARAB EMTS | 73062919 | SECONDARY SECOND CHOICE CARBON STEEL PIPES | 55.00 | 30,143 | 16,57,883 | PUC |
| Apr-Jun 2012 | 23-May-12 | U S A | 73049000 | CARBON STEEL PIPES (SECONDARY DEFECTIVE) NON ALLOY | 54.00 | 30,331 | 16,37,885 | PUC |
| Apr-Jun 2012 | 04-May-12 | CHINA P RP | 73043119 | PRIME CDS HOLLOW SEAMLESS TUBES: SAE1010: (31.75MM X 6.5MM X 5100MM) | 54.00 | 58,787 | 31,74,498 | PUC |
| Apr-Jun 2012 | 16-May-12 | U K | 73049000 | CARBON STEEL SECONDARY SURPLUS SEAMLESS PIPES | 53.00 | 29,457 | 15,61,197 | PUC |
| Apr-Jun 2012 | 07-May-12 | CHINA P RP | 73049000 | CARBON STEEL SEAMLESS PIPES ASTM A106/API 5L GR.B | 53.00 | 39,270 | 20,81,325 | PUC |
| Apr-Jun 2012 | 14-May-12 | CHINA P RP | 73049000 | CARBON STEEL SECONDARY SEAMLESS PIPE | 53.00 | 29,815 | 15,80,179 | PUC |
| Apr-Jun 2012 | 25-May-12 | CHINA P RP | 73049000 | SEAMLESS STEEL TUBES GB-10 (25.4X2.5X5000-5800) | 52.41 | 61,362 | 32,16,124 | PUC |
| Apr-Jun 2012 | 21-May-12 | U S A | 73049000 | CARBON STEEL PIPES (SECONDARY DEFECTIVE) NON ALLOY | 52.00 | 30,427 | 15,82,215 | PUC |
| Apr-Jun 2012 | 30-May-12 | CHINA P RP | 73043119 | PRIME CDS HOLLOW SEAMLESS TUBES SIZE : OD 69.85 MM X THK 6 MM X LENGTH 5750 MM) | 52.00 | 54,654 | 28,42,011 | PUC |
| Apr-Jun 2012 | 30-May-12 | CHINA P RP | 73043119 | SEAMLESS STEEL PIPES(GRADE 320) SIZE : 50.8 MM X 6.4 MM (295 PCS) | 52.00 | 45,265 | 23,53,795 | PUC |
| Apr-Jun 2012 | 30-May-12 | CHINA P RP | 73049000 | CARBON STEEL SEAMLESS PIPES ASTM A 106 B | 52.00 | 39,363 | 20,46,898 | PUC |
| Apr-Jun 2012 | 15-May-12 | CHINA P RP | 73043119 | CARBON STEEL SEAMLESS PIPE AS PER ASTM A 106 GR.B/API 5L GR.B SIZE:42.2*3.56*34 | 51.98 | 45,931 | 23,87,427 | PUC |
| Apr-Jun 2012 | 28-May-12 | UKRAINE | 73049000 | OLD & USED CARBON STEEL SEAMLESS PIPE8.20 X 10000-12000 MM | 51.00 | 43,116 | 21,98,924 | PUC |
| Apr-Jun 2012 | 15-May-12 | TAIWAN | 73049000 | CARBON STEEL SEAMLESS PIPES CONFIRMING TO ASTM A A 106 GR.B | 51.00 | 39,264 | 20,02,453 | PUC |
| Apr-Jun 2012 | 01-May-12 | CHINA P RP | 73043921 | SEAMLESS CARBON STEEL PIPES(TO SPEC SA 106)SIZE AS PER INVOICE | 51.00 | 67,558 | 34,45,438 | PUC |
| Apr-Jun 2012 | 31-May-12 | CHINA P RP | 73049000 | STEEL SAEMLESS PIPE ASTM A106 GRB(114.3 MM X 8.56 MM X 5850 MM) | 51.00 | 38,687 | 19,73,029 | PUC |
| Apr-Jun 2012 | 15-May-12 | CHINA P RP | 73049000 | CARBON STEEL SEAMLESS PIPES | 51.00 | 37,491 | 19,12,044 | PUC |
| Apr-Jun 2012 | 22-May-12 | KOREA RP | 73041910 | COLD DRAWN SEAMLESS CARBON STEEL TUBE ACCORDING TO DIN 1629ST52-133X4.5MM(186 PC | 50.00 | 43,880 | 21,93,994 | PUC |
| Apr-Jun 2012 | 08-May-12 | CHINA P RP | 73049000 | HOT ROLLED SEAMLESS STEEL PIPES FOR GAS CYLINDER GRADE 34CRMO4 | 50.00 | 74,527 | 37,26,330 | PUC |
| Apr-Jun 2012 | 22-May-12 | CHINA P RP | 73049000 | CARBON STEEL SEAMLESS PIPES OF API 5L/ASTM A106 GR. B | 50.00 | 37,301 | 18,65,072 | PUC |
| Apr-Jun 2012 | 21-May-12 | CHINA P RP | 73041110 | SEAMLESS STEEL PIPES ASTM A106 GRB SIZE:(MM)48.3X3.68X5000 | 50.00 | 32,335 | 16,16,763 | PUC |
| Apr-Jun 2012 | 24-May-12 | CHINA P RP | 73041110 | C.S SEAMLESS TUBE ASTM A-106 GR. B (SIZE : 38 MM X 9 MM)(49.990 MTS) | 49.98 | 50,924 | 25,45,105 | PUC |

**Import Data from DGCIS [All Countries PUC]
Apr 2009 to Jun 2012**

| Year | Date | Country | ITC-HS | Item-Des | Quantity (MT) | Price (Rs./MT) | Value (Rs) | PUC/ NPUC |
|--------------|-----------|--------------|----------|--|---------------|----------------|------------|--------------|
| Apr-Jun 2012 | 30-May-12 | CHINA P RP | 73049000 | SECONDARY DEFECTIVE M S SEAMLESS PIPE | 49.00 | 31,350 | 15,36,167 | PUC |
| Apr-Jun 2012 | 29-May-12 | ITALY | 73049000 | HYDRAULIC CYLINDER TUBE SMLS PIPES | 48.63 | 98,341 | 47,82,303 | PUC |
| Apr-Jun 2012 | 22-May-12 | CHINA P RP | 73042390 | DRILL PIPE 5-1/2 21.90 PPF S-135 R-II RH(DRILL PIPES & PUP JOINTS FOR ELIGIBLE | 48.52 | 1,88,148 | 91,29,366 | PUC |
| Apr-Jun 2012 | 01-May-12 | BELGIUM | 73049000 | SECONDARY CARBON STEEL SEAMLESS PIPES MIXED SIZES | 48.00 | 30,172 | 14,48,246 | PUC |
| Apr-Jun 2012 | 02-May-12 | CHINA P RP | 73049000 | CARBON STEEL SEAMLESS PIPES STOCK LOT | 48.00 | 33,561 | 16,10,905 | PUC |
| Apr-Jun 2012 | 03-May-12 | CHINA P RP | 73049000 | SECONDARY DEFECTIVE MS SEAMLESS PIPE FITTINGS | 48.00 | 32,657 | 15,67,512 | PUC |
| Apr-Jun 2012 | 01-May-12 | CHINA P RP | 73043129 | HYDRAULIC CYLINDER TUBE 156*130(FOR CAPTIVE CONSUMPTION) | 47.51 | 42,381 | 20,13,645 | PUC |
| Apr-Jun 2012 | 23-May-12 | CHINA P RP | 73042390 | EUE PRODUCTION TUBINGS 2-7/8 OD 6.5 PPF L-80 EUE (498 PCS) | 46.31 | 65,375 | 30,27,485 | PUC |
| Apr-Jun 2012 | 18-May-12 | CHINA P RP | 73049000 | COLD DRAWN SEAMLESS STEEL PIPE AS PER ASTM A106/A53/API 5L GR.B. | 46.00 | 39,494 | 18,16,719 | PUC |
| Apr-Jun 2012 | 07-May-12 | CHINA P RP | 73045110 | BEARING QUALITY STEEL TUBE SAE-52100 AND SUJ-3 (TMB6005IR) SIZE 32.2 X 3.95MM | 45.10 | 73,937 | 33,34,268 | PUC |
| Apr-Jun 2012 | 28-May-12 | CHINA P RP | 73043129 | COLD DRAWN STEEL TUBE [117.50X100MM] | 45.00 | 83,773 | 37,69,807 | PUC |
| Apr-Jun 2012 | 25-May-12 | CHINA P RP | 73049000 | CARBON STEEL SEAMLESS PIPES | 45.00 | 39,951 | 17,97,810 | PUC |
| Apr-Jun 2012 | 02-May-12 | CHINA P RP | 73049000 | CARBON STEEL SEAMLESS PIPES SAE1045 | 44.52 | 39,294 | 17,49,172 | PUC |
| Apr-Jun 2012 | 07-May-12 | CHINA P RP | 73041190 | SECONDARY CARBON STEEL SEAMLESS PIPE 133X 4.5 & 42 X 4 | 44.00 | 30,339 | 13,34,897 | PUC |
| Apr-Jun 2012 | 24-May-12 | JAPAN | 73049000 | SEAMLESS ALLOY STEEL TUBES JIS G3441 SCM415TK 32.80MM OD X 24.60MM ID X 5M | 43.58 | 1,78,483 | 77,78,116 | PUC |
| Apr-Jun 2012 | 29-May-12 | U S A | 73049000 | M S PIPES | 43.00 | 32,492 | 13,97,170 | PUC |
| Apr-Jun 2012 | 08-May-12 | GERMANY | 73049000 | SEAMLESS P+P HIGH PRESSURE STEEL TUBES (FOR CAPTIVE CONSUMPTION) | 42.51 | 50,453 | 21,44,644 | PUC |
| Apr-Jun 2012 | 14-May-12 | BELGIUM | 73049000 | CARBON STEEL SECONDARY DEFECTIVE SEAMLESS PIPE | 42.00 | 39,231 | 16,47,707 | PUC |
| Apr-Jun 2012 | 28-May-12 | CHINA P RP | 73049000 | SECONDARY MILD STEEL SEAMLESS PIPES MIXED SIZES | 42.00 | 33,949 | 14,25,874 | PUC |
| Apr-Jun 2012 | 07-May-12 | CHINA P RP | 73043139 | HONED TUBE (OD 114MM X ID 100MM) | 40.19 | 40,834 | 16,41,105 | PUC |
| Apr-Jun 2012 | 31-May-12 | U S A | 73049000 | SECONDARY SEAMLESS CARBON STEEL PIPES | 40.00 | 34,007 | 13,60,299 | PUC |
| Apr-Jun 2012 | 31-May-12 | CHINA P RP | 73049000 | 2 7/8 6.5# J55 EUE PUPJOINT OTHER TUBES | 39.80 | 60,747 | 24,17,614 | PUC |
| Apr-Jun 2012 | 16-May-12 | CHINA P RP | 73041190 | COLD DRAWN SEAMLESS STEEL TUBE ASTM A106B 54*6*5000/5800(94PCS) | 39.63 | 60,506 | 23,97,616 | PUC |
| Apr-Jun 2012 | 03-May-12 | CHINA P RP | 73043919 | SEAMLESS STEEL TUBE (SY2012-0208/PO:1192)(SIZE : 26MM X 5.35MM X 5100MM-5800MM) | 39.55 | 56,068 | 22,17,474 | PUC |
| Apr-Jun 2012 | 11-May-12 | ITALY | 73041990 | SEAMLESS | 39.00 | 1,65,790 | 64,65,829 | PUC |
| Apr-Jun 2012 | 03-May-12 | SOUTH AFRICA | 73069090 | M.S.STEEL PIPE RUSTED & PITTED | 39.00 | 32,767 | 12,77,894 | PUC |
| Apr-Jun 2012 | 21-May-12 | JAPAN | 73049000 | ALLOY STEEL SEAMLESS STEEL TUBES O.D.47.55MM X W/TH 5.30MM | 38.66 | 2,47,962 | 95,87,212 | PUC |
| Apr-Jun 2012 | 31-May-12 | U S A | 73049000 | SECONDARY SEAMLESS CARBON STEEL PIPES | 38.00 | 33,487 | 12,72,490 | PUC |
| Apr-Jun 2012 | 10-May-12 | CHINA P RP | 73041910 | SEAMLESS PIPE COLD DRAWN SEAMLESS STEEL SPHEROID A ANNEALEDTUBE | 37.98 | 67,970 | 25,81,213 | PUC |
| Apr-Jun 2012 | 16-May-12 | CHINA P RP | 73043119 | COLD DRAWN SEAMLESS CARBON STEEL TUBES ASTM A-179 (SIZE 30 X 3 X10000 X11800) | 37.00 | 53,977 | 19,97,163 | PUC |
| Apr-Jun 2012 | 29-May-12 | FRANCE | 73045110 | COLD DRAWN SEAMLESS FERRITIC ALLOY STEEL STRAIGHT HEAT EXCHANGER TUBE ASME SA21 | 35.35 | 2,28,715 | 80,84,380 | PUC |
| Apr-Jun 2012 | 08-May-12 | GERMANY | 73049000 | SEAMLESS P+P HIGH PRESSURE STEEL TUBES (FOR CAPTIVE CONSUMPTION) | 35.19 | 50,452 | 17,75,165 | PUC |
| Apr-Jun 2012 | 14-May-12 | KOREA RP | 73063010 | MILD STEEL TUBE OF IRON DIN-2393 GRADE ST52.3 SIZE: 192.5 O.D X 8.6 W.T X 4,500 | 35.10 | 84,645 | 29,71,054 | PUC |
| Apr-Jun 2012 | 30-May-12 | CHINA P RP | 73049000 | CARBON STEEL SEAMLESS PIPES | 35.00 | 39,857 | 13,95,005 | PUC |
| Apr-Jun 2012 | 26-May-12 | CHINA P RP | 73045110 | CS SEAMLESS TUBES MATERIAL SA 179 SIZE OD25.4MM X 2.5WT (AVG)MM X LG 9000MM | 34.08 | 85,290 | 29,06,343 | PUC |
| Apr-Jun 2012 | 30-May-12 | ITALY | 73049000 | HYDRAULIC CYLINDER TUBE SMLS PIPES | 34.01 | 1,18,018 | 40,14,354 | PUC |
| Apr-Jun 2012 | 16-May-12 | CHINA P RP | 73043119 | COLD DRAWN SEAMLESS CARBON STEEL TUBES ASTM A-179 (SIZE 30 X 3 X10000 X11800) | 34.00 | 54,428 | 18,50,535 | PUC |
| Apr-Jun 2012 | 25-May-12 | CHINA P RP | 73043939 | COLD DRAWN NON ALLOY STEEL SEAMLESS TUBES GRADE AISI 1035 SIZE:60.857X43.83 MM | 33.00 | 81,146 | 26,77,805 | PUC |
| Apr-Jun 2012 | 24-May-12 | CHINA P RP | 73045910 | PRIME HOT FINISHED CARBON STEEL SEAMLESS PIPES GR. ASME SA 106 GR.B SIZE: 88.9 * | 32.00 | 49,632 | 15,88,208 | PUC |
| Apr-Jun 2012 | 29-May-12 | ITALY | 73063010 | MILD STEEL TUBE GRADE ST52.3 DIN-2393 SIZE: 92.22X7.55XLF5820 [QTY 968.00 MTR] | 31.71 | 95,526 | 30,29,133 | PUC |
| Apr-Jun 2012 | 29-May-12 | CHINA P RP | 73045110 | STEEL TUBE DIA 4.76, 0.55MM WITH ZINC COATED | 31.42 | 85,035 | 26,71,612 | PUC |

Import Data from DGCIS [All Countries PUC]

Apr 2009 to Jun 2012

| Year | Date | Country | ITC-HS | Item-Des | Quantity (MT) | Price (Rs./MT) | Value (Rs) | PUC/ NPUC |
|--------------|-----------|------------|----------|--|---------------|----------------|------------|--------------|
| Apr-Jun 2012 | 29-May-12 | CHINA P RP | 73045110 | STEEL TUBE DIA 4.76, 0.55MM WITH ZINC COATED | 31.42 | 85,035 | 26,71,612 | PUC |
| Apr-Jun 2012 | 14-May-12 | CHINA P RP | 73045110 | STEEL TUBE DIA 4.76, 0.55MM WITH ZINC COATED | 31.42 | 80,703 | 25,35,525 | PUC |
| Apr-Jun 2012 | 15-May-12 | CHINA P RP | 73045110 | STEEL TUBE DIA 4.76, 0.55MM WITH ZINC COATED | 31.42 | 80,703 | 25,35,525 | PUC |
| Apr-Jun 2012 | 28-May-12 | CHINA P RP | 73045110 | BEARING QUALITY STEEL TUBE SAE52100- SIZE 28.8* 2.7 | 31.40 | 81,967 | 25,73,756 | PUC |
| Apr-Jun 2012 | 16-May-12 | U S A | 73069090 | COLD DRAWN SEAMLESS TUBE (RTMZGG023950273) (SIZE: 273 MM ODX 239.5MM ID) | 30.50 | 2,35,930 | 71,94,886 | PUC |
| Apr-Jun 2012 | 23-May-12 | U S A | 73049000 | CARBON STEEL PIPES (SECONDARY DEFECTIVE) NON ALLOY | 30.00 | 30,505 | 9,15,151 | PUC |
| Apr-Jun 2012 | 24-May-12 | CHINA P RP | 73045920 | PRIME HOT FINISHED CARBON STEEL SEAMLESS PIPES GR. ASME SA 106 GR.B SIZE: 168.3 | 30.00 | 48,661 | 14,59,829 | PUC |
| Apr-Jun 2012 | 10-May-12 | CHINA P RP | 73045110 | COLD DRAWN SEAMLESS CARBON STEEL TUBE(SIZE:114.30X4.80X2905MM)(CERT#011211130200 | 29.00 | 61,490 | 17,83,220 | PUC |
| Apr-Jun 2012 | 25-May-12 | CHINA P RP | 73045110 | SEAMLESS CARBON STEEL COLD DRAWN TUBES ASME SA210-2010 GR.A1 63.5*3.66*11000 | 28.55 | 60,397 | 17,24,342 | PUC |
| Apr-Jun 2012 | 11-May-12 | CHINA P RP | 73042390 | DRILL PIPE 5 G -105 GD R-II 19.5 PPF(DRILL PIPES AND PUP JOINTS FOR ELIGIBLE PE | 28.38 | 1,72,168 | 48,85,713 | PUC |
| Apr-Jun 2012 | 21-May-12 | CHINA P RP | 73043119 | COLD DRAWN SEAMLESS CARBON STEEL PIPES ASME SA106 GR.B - 21.3 X 3.73 X 5800 MM (| 27.52 | 65,030 | 17,89,789 | PUC |
| Apr-Jun 2012 | 03-May-12 | CHINA P RP | 73043919 | SEAMLESS STEEL TUBE (SY2012-0207/PO:1193)(SIZE : 26.8 MM X 2.95MM X 6100MM) | 27.32 | 58,308 | 15,92,676 | PUC |
| Apr-Jun 2012 | 18-May-12 | SPAIN | 73043911 | CARBON STEEL TUBES (TO SPEC.SA106) | 27.00 | 94,474 | 25,50,802 | PUC |
| Apr-Jun 2012 | 07-May-12 | KUWAIT | 73069090 | SECONDARY AND DEFECTIVE RUSTED PITTED PIPE | 27.00 | 32,093 | 8,66,515 | PUC |
| Apr-Jun 2012 | 31-May-12 | CHINA P RP | 73041110 | SEAMLESS STEEL PIPE (SIZE:ID 200MM,OD220MM, WT10MM) | 27.00 | 86,993 | 23,48,823 | PUC |
| Apr-Jun 2012 | 28-May-12 | CHINA P RP | 73041990 | CARBON STEEL SEAMLESS PIPES ASTM A 106 GR B (127MM X 12MM) | 27.00 | 46,300 | 12,50,100 | PUC |
| Apr-Jun 2012 | 07-May-12 | SINGAPORE | 73049000 | SECONDARY SECOND CHOICE CARBON STEEL SEAMLESS/WELDED PIPES | 26.00 | 29,632 | 7,70,439 | PUC |
| Apr-Jun 2012 | 01-May-12 | CHINA P RP | 73043911 | SEAMLESS CARBON STEEL PIPES (SA106B) SIZE: DN400 X SCH60 (24.82 MTR) | 26.00 | 71,596 | 18,61,505 | PUC |
| Apr-Jun 2012 | 29-May-12 | CHINA P RP | 73043119 | CARBON STEEL SEAMLESS PIPES (102X8.08X5800MM) | 26.00 | 39,884 | 10,36,972 | PUC |
| Apr-Jun 2012 | 25-May-12 | CHINA P RP | 73049000 | CARBON STEEL SEAMLESS PIPE AAPI 5L GR.B/ ASTM A106 GR.B | 26.00 | 39,724 | 10,32,824 | PUC |
| Apr-Jun 2012 | 19-May-12 | CHINA P RP | 73049000 | CARBON STEEL SEAMLESS PIPES AS PER ASTM A 106 GR B 3 INCHESCH 40(88.9 X 5.49 MM | 26.00 | 37,542 | 9,76,084 | PUC |
| Apr-Jun 2012 | 22-May-12 | CHINA P RP | 73049000 | CARBON STEEL SEAMLESS PIPE ASTM A 106 GR.B | 26.00 | 37,361 | 9,71,391 | PUC |
| Apr-Jun 2012 | 22-May-12 | CHINA P RP | 73049000 | SECONDARY SECOND CHOICE CARBON STEEL SEAMLESS PIPE | 26.00 | 30,876 | 8,02,771 | PUC |
| Apr-Jun 2012 | 22-May-12 | U S A | 73069090 | COLD DRAWN SEAMLESS TUBE (RTMZCNK16152140) (SIZE: 214.00MM OD X 161.54MM ID) | 25.88 | 2,72,191 | 70,44,445 | PUC |
| Apr-Jun 2012 | 22-May-12 | CHINA P RP | 73041990 | SEAMLESS STEEL TUBE GRADE SAE52100/GCR15SIZE: 76.00 X 6.50 MM | 25.64 | 65,425 | 16,77,239 | PUC |
| Apr-Jun 2012 | 14-May-12 | CHINA P RP | 73043129 | COLD DRAWN SEAMLESS SKIVED AND BURNISHED TUBE 126MM X ID108.1H8 X 1025MM | 25.19 | 89,751 | 22,60,755 | PUC |
| Apr-Jun 2012 | 25-May-12 | CHINA P RP | 73049000 | HONE TUBE (MADE OF MILD STEEL) OD 114 X ID 100 | 25.12 | 92,820 | 23,31,276 | PUC |
| Apr-Jun 2012 | 09-May-12 | CHINA P RP | 73049000 | SEAMLESS TUBE- Q345B/200X120X8 & 8-10M (8PCS) (FOR CONCRETE MACHINERY) | 25.03 | 67,521 | 16,89,791 | PUC |
| Apr-Jun 2012 | 25-May-12 | THAILAND | 73049000 | CARBON STEEL SEAMLESS PIPES API SPEC 5L B PSL1 / ASTM A106 B | 25.00 | 47,778 | 11,94,441 | PUC |
| Apr-Jun 2012 | 26-May-12 | KOREA RP | 73049000 | CARBON STEEL SEAMLESS PIPES ASTM A 106-B | 25.00 | 39,781 | 9,94,518 | PUC |
| Apr-Jun 2012 | 21-May-12 | JAPAN | 73049000 | SECONDARY SEAMLESS CARBON STEEL PIPES | 25.00 | 38,023 | 9,50,573 | PUC |
| Apr-Jun 2012 | 21-May-12 | JAPAN | 73049000 | SECONDARY SEAMLESS CARBON STEEL PIPES | 25.00 | 37,368 | 9,34,193 | PUC |
| Apr-Jun 2012 | 07-May-12 | KUWAIT | 73049000 | CARBON STEEL PIPES(SECONDARY PRODUCTS) | 25.00 | 31,771 | 7,94,264 | PUC |
| Apr-Jun 2012 | 15-May-12 | KUWAIT | 73049000 | CARBON STEEL PIPES(SECONDARY PRODUCTS) | 25.00 | 31,669 | 7,91,719 | PUC |
| Apr-Jun 2012 | 07-May-12 | KUWAIT | 73049000 | M.S.SECONDARY AND DEFECTIVE SEAMLESS PIPE | 25.00 | 29,534 | 7,38,339 | PUC |
| Apr-Jun 2012 | 28-May-12 | CHINA P RP | 73043911 | CARBON STEEL SEAMLESS PIPE50.8X4.3X10000-12000 | 25.00 | 57,889 | 14,47,219 | PUC |
| Apr-Jun 2012 | 21-May-12 | CHINA P RP | 73049000 | CARBON STEEL SEAMLESS PIPES SA-179 (COLD DRAWN) SIZE 27MM ODX 2.6 MM THK X 10-11 | 25.00 | 54,123 | 13,53,075 | PUC |
| Apr-Jun 2012 | 23-May-12 | CHINA P RP | 73043119 | SEAMLESS STEEL PIPE AS ASTM A106 GR.B /API 5L GR B SIZE - 219MM X 18MM X 7.5 M | 25.00 | 43,011 | 10,75,275 | PUC |
| Apr-Jun 2012 | 30-May-12 | CHINA P RP | 73049000 | CARBON STEEL SEAMLESS PIPES | 25.00 | 40,057 | 10,01,416 | PUC |
| Apr-Jun 2012 | 11-May-12 | CHINA P RP | 73041910 | SECONDARY DEFECTIVE M.S PIPES. | 25.00 | 29,668 | 7,41,707 | PUC |
| Apr-Jun 2012 | 17-May-12 | CHINA P RP | 73043119 | COLD DRAWN PRECISION SEAMLESS STEEL TUBES/PIPES DIN 2391 ST52 BK+ S 63MM OD X | 24.56 | 61,065 | 14,99,451 | PUC |

**Import Data from DGCIS [All Countries PUC]
Apr 2009 to Jun 2012**

| Year | Date | Country | ITC-HS | Item-Des | Quantity (MT) | Price (Rs./MT) | Value (Rs) | PUC/ NPUC |
|--------------|-----------|-----------------|----------|--|---------------|----------------|------------|--------------|
| Apr-Jun 2012 | 15-May-12 | CHINA P RP | 73043119 | CDS SEAMLESS PIPES ASTM A 106 GR B/API 5L GR B BEWELD END AND VARNISH QUOTING S | 24.52 | 45,932 | 11,26,149 | PUC |
| Apr-Jun 2012 | 21-May-12 | CHINA P RP | 73041910 | CARBON STEEL SEAMLESS PIPE(O/D: 32MM, W/T: 7MM,L: 4.2M)SPEC. ASTM 106 GRADE B/ | 24.37 | 49,118 | 11,97,043 | PUC |
| Apr-Jun 2012 | 21-May-12 | U S A | 73069090 | SECONDARY DEFECTIVE CARBON MS PIPES | 24.00 | 28,037 | 6,72,894 | PUC |
| Apr-Jun 2012 | 15-May-12 | CHINA P RP | 73043919 | SEAMLESS STEEL TUBES (GRADE - 106B-A)(SIZE : 33.38MM X 4.5MM X 5100MM-5800MM)) | 24.00 | 59,961 | 14,39,063 | PUC |
| Apr-Jun 2012 | 15-May-12 | CHINA P RP | 73049000 | CARBON STEEL SEAMLESS PIPES API | 24.00 | 50,129 | 12,03,097 | PUC |
| Apr-Jun 2012 | 16-May-12 | CHINA P RP | 73049000 | SEAMLESS PIPES - 159*26 | 24.00 | 44,250 | 10,62,000 | PUC |
| Apr-Jun 2012 | 26-May-12 | CHINA P RP | 73041190 | ASTM A106 GR.B SEAMLESS STEEL PIPE,PAINT,CAP FOR BOTH END,STENCIL (O.D 219.1 M | 24.00 | 44,184 | 10,60,409 | PUC |
| Apr-Jun 2012 | 22-May-12 | CHINA P RP | 73049000 | MILD STEEL SEAMLESS TUBE AS PER ASTM /ASME SA 179 | 24.00 | 38,286 | 9,18,871 | PUC |
| Apr-Jun 2012 | 07-May-12 | CHINA P RP | 73049000 | C.S SEAMLESS PIPE | 23.81 | 48,982 | 11,66,448 | PUC |
| Apr-Jun 2012 | 19-May-12 | CHINA P RP | 73042990 | SEAMLESS STEEL TUBES,ST52 SIZE 114*100*4500-5800MM (MILD STEEL) | 23.28 | 40,621 | 9,45,506 | PUC |
| Apr-Jun 2012 | 23-May-12 | U S A | 73069090 | M.S.STEEL PIPE RUSTED & PITTED | 23.00 | 32,496 | 7,47,399 | PUC |
| Apr-Jun 2012 | 14-May-12 | CHINA P RP | 73043129 | COLD DRAWN STEEL TUBE [130X110MM] | 23.00 | 82,769 | 19,03,686 | PUC |
| Apr-Jun 2012 | 11-May-12 | CHINA P RP | 73043119 | NON ALLOY STEEL SEAMLESS PIPES API 5L GRADE B 114.3MMX8.56MM | 23.00 | 63,338 | 14,56,764 | PUC |
| Apr-Jun 2012 | 15-May-12 | CHINA P RP | 73049000 | CARBON STEEL SEAMLESS PIPE | 23.00 | 43,254 | 9,94,848 | PUC |
| Apr-Jun 2012 | 15-May-12 | CHINA P RP | 73043919 | SEAMLESS STEEL TUBE (SY2012-0326/PO/1205)(GRADE 20#) (SIZE : 33.38MM X 6.35MM X | 22.88 | 56,990 | 13,03,927 | PUC |
| Apr-Jun 2012 | 15-May-12 | CHINA P RP | 73043919 | SEAMLESS STEEL TUBE (SY2012-0206/PO1191)(GRADE ST30AL) (SIZE: 33.38MM X 6.35MM X | 22.59 | 59,706 | 13,48,760 | PUC |
| Apr-Jun 2012 | 07-May-12 | CHINA P RP | 73045110 | BEARING QUALITY STEEL TUBE SAE-52100 (6011IR) SIZE 66.7 X 6.25MM | 22.55 | 68,634 | 15,47,689 | PUC |
| Apr-Jun 2012 | 30-May-12 | ITALY | 73043919 | SEAMLESS STEEL PIPES | 22.41 | 1,49,394 | 33,48,274 | PUC |
| Apr-Jun 2012 | 15-May-12 | CHINA P RP | 73043919 | SEAMLESS STEEL TUBE (SY2012-0207/PO1193)(GRADE 20#) (SIZE : 34MM X 7MM X 5000MM | 22.31 | 55,490 | 12,37,989 | PUC |
| Apr-Jun 2012 | 03-May-12 | U S A | 73049000 | CARBON STEEL SEAMLESS PIPES STOCK LOT | 22.00 | 33,731 | 7,42,076 | PUC |
| Apr-Jun 2012 | 23-May-12 | VIETNAM SOC REP | 73049000 | SECONDARY DEFECTIVE CARBON STEEL SEAMLESS PIPES | 22.00 | 33,153 | 7,29,362 | PUC |
| Apr-Jun 2012 | 15-May-12 | ITALY | 73049000 | SECONDARY SEAMLESS CARBON STEEL PIPES | 22.00 | 31,559 | 6,94,307 | PUC |
| Apr-Jun 2012 | 15-May-12 | CHINA P RP | 73043129 | COLD DRAWN STEEL TUBE [137X124.50 MM] | 22.00 | 82,236 | 18,09,201 | PUC |
| Apr-Jun 2012 | 29-May-12 | CHINA P RP | 73043919 | SEAMLESS STEEL TUBES (53.98MM X 3.25MM X 5100MM-5800MM)(EN 10305-1,E235+C) | 22.00 | 59,185 | 13,02,072 | PUC |
| Apr-Jun 2012 | 18-May-12 | CHINA P RP | 73041910 | CARBON ST | 22.00 | 57,676 | 12,68,882 | PUC |
| Apr-Jun 2012 | 02-May-12 | CHINA P RP | 73043119 | CARBON STEEL SEAMLESS PIPES (73X7.01X5800MM) | 22.00 | 37,238 | 8,19,227 | PUC |
| Apr-Jun 2012 | 11-May-12 | CHINA P RP | 73045910 | SEAMLESS STEEL TUBES SIZE : 28.9*24.1 | 21.43 | 1,17,234 | 25,12,669 | PUC |
| Apr-Jun 2012 | 10-May-12 | CHINA P RP | 73043911 | CS NACE SEAMLESS PIPE (ASTM A106 GR B) SIZE: 10 (C/O-GERMANY)(48.29 MTR) | 21.27 | 1,02,964 | 21,89,941 | PUC |
| Apr-Jun 2012 | 12-May-12 | KUWAIT | 73049000 | SECONDARY SECOND CHOICE CARBON STEEL SEAMLESS/WELDED PIPES | 21.18 | 30,930 | 6,55,091 | PUC |
| Apr-Jun 2012 | 22-May-12 | CHINA P RP | 73049000 | STEEL TUBES 19.7 MMOD X 2.65 MM WT | 21.00 | 90,563 | 19,01,814 | PUC |
| Apr-Jun 2012 | 24-May-12 | CHINA P RP | 98010013 | SEAMLESS CARBON STEEL TUBES TO SPEC SA210 (S37/01/2012/GR6) | 21.00 | 75,038 | 15,75,788 | PUC |
| Apr-Jun 2012 | 02-May-12 | CHINA P RP | 73049000 | COLD DRAWN SEAMLESS STEEL PIPES CONFIRMING TO ASTM A106 GRADE B | 21.00 | 37,113 | 7,79,366 | PUC |
| Apr-Jun 2012 | 03-May-12 | CHINA P RP | 73043119 | SEAMLESS STEEL TUBE 28.2*14.3*5800 MM PART NO. 11058-01 | 20.41 | 65,938 | 13,45,528 | PUC |
| Apr-Jun 2012 | 16-May-12 | CHINA P RP | 73049000 | PIN STEEL TUBE SCM415H OD15.30MMXID10.00MM LENGTH:3000MM-5000MM | 20.00 | 1,59,891 | 31,97,815 | PUC |
| Apr-Jun 2012 | 09-May-12 | CHINA P RP | 73041990 | SEAMLESS CARBON STEEL PIPE 273 X 12 | 20.00 | 49,002 | 9,80,038 | PUC |
| Apr-Jun 2012 | 19-May-12 | CHINA P RP | 73049000 | CARBON STEEL SEAMLESS PIPES AS PER API 5L/ASTM A106 GR.B. | 20.00 | 39,411 | 7,88,217 | PUC |
| Apr-Jun 2012 | 24-May-12 | CHINA P RP | 73041990 | COLD BOX ACCESSORIES - SQUARE TUBE A500 GRADE B, HIGH STRENGTH STEEL, Y -S 46000 P | 19.92 | 74,632 | 14,86,662 | PUC |
| Apr-Jun 2012 | 09-May-12 | CHINA P RP | 73043929 | SKIVED AND BURNISHED TUBE 100X115MM(FOR CAPTIVE CONSUMPTION) | 19.65 | 86,023 | 16,90,172 | PUC |
| Apr-Jun 2012 | 11-May-12 | CHINA P RP | 73043139 | SKIVED & BURNISHED TUBES ST 52 OR P20 BK +S CONDITION ID-75X OD-90 | 19.63 | 61,009 | 11,97,355 | PUC |
| Apr-Jun 2012 | 30-May-12 | CHINA P RP | 73043929 | SKIVED AND BURNISHED TUBE 160X180MM(FOR CAPTIVE CONSUMPTION) | 19.57 | 90,637 | 17,74,120 | PUC |
| Apr-Jun 2012 | 18-May-12 | CHINA P RP | 73041190 | COLD DRAWN SEAMLESS STEEL TUBE 32*4*5000/5800 | 19.56 | 61,177 | 11,96,377 | PUC |

**Import Data from DGCIS [All Countries PUC]
Apr 2009 to Jun 2012**

| Year | Date | Country | ITC-HS | Item-Des | Quantity (MT) | Price (Rs./MT) | Value (Rs) | PUC/ NPUC |
|--------------|-----------|----------------|----------|---|---------------|----------------|------------|--------------|
| Apr-Jun 2012 | 30-May-12 | CHINA P RP | 73043139 | SKIVED & BURNISHED TUBES ST 52 OR P20 BK +S CONDITION ID-150 X OD-170 | 19.25 | 60,693 | 11,68,167 | PUC |
| Apr-Jun 2012 | 02-May-12 | CHINA P RP | 73049000 | CARBON STEEL SEAMLESS PIPES STOCK LOT | 19.00 | 34,465 | 6,54,831 | PUC |
| Apr-Jun 2012 | 10-May-12 | CHINA P RP | 73042990 | C.S.SEAMLESS STEEL TUBE (API 5L/ASTM A106 GR.B/A53) : OD219MM X WT22.23MM(AVG) L | 18.86 | 50,976 | 9,61,356 | PUC |
| Apr-Jun 2012 | 09-May-12 | ITALY | 73043911 | SEAMLESS PIPES - (A790 UNI S32205) NACE SIZE: 2 | 18.16 | 2,05,517 | 37,32,930 | PUC |
| Apr-Jun 2012 | 30-May-12 | U S A | 73041110 | A01432AR8707361 ALUMINIZED EXTRA DEEP DRAWING STEEL TUBE-4 1/2 ODX.073MINX225.0 | 18.14 | 1,02,560 | 18,60,036 | PUC |
| Apr-Jun 2012 | 07-May-12 | KOREA RP | 73063010 | MILD STEEL TUBE OF IRON DIN-2393 GRADE ST 52.3 SIZE: 239.6 O.D X 9.65 W.T. X 4,5 | 18.11 | 96,592 | 17,49,287 | PUC |
| Apr-Jun 2012 | 05-May-12 | U S A | 73043119 | OLD UNUSED PARTLY MANUFACTURED SUBSTANDARD SEAMLESS STEEL, PIPES/RODS SUITABLE T | 18.00 | 64,145 | 11,54,606 | PUC |
| Apr-Jun 2012 | 02-May-12 | CHINA P RP | 73045920 | SEAMLESS ALLOY STEEL PIPE SIZE AS PER INVOICE | 18.00 | 1,28,224 | 23,08,029 | PUC |
| Apr-Jun 2012 | 17-May-12 | CHINA P RP | 73043119 | COLD DRAWN STEEL TUBE (92X80 MM) | 18.00 | 82,895 | 14,92,109 | PUC |
| Apr-Jun 2012 | 25-May-12 | CHINA P RP | 73049000 | SEAMLESS STEEL PIPE 140*18 (CARBON STEEL) | 18.00 | 68,362 | 12,30,518 | PUC |
| Apr-Jun 2012 | 21-May-12 | KOREA RP | 73063010 | MILD STEEL TUBE OF IRON DIN-2393 GRADE ST52.3 SIZE: 215.59 O.D X 9.15 W.T X 5,15 | 17.17 | 87,636 | 15,04,357 | PUC |
| Apr-Jun 2012 | 21-May-12 | CHINA P RP | 73041990 | BEARING QUALITY STEEL TUBE SIZE 48.0*7.0 (2 BUNDLES) | 17.16 | 73,878 | 12,67,892 | PUC |
| Apr-Jun 2012 | 28-May-12 | CHINA P RP | 73043119 | COLD DRAWN STEEL TUBE [105.50X90MM] | 17.00 | 92,224 | 15,67,809 | PUC |
| Apr-Jun 2012 | 15-May-12 | CHINA P RP | 73043919 | SEAMLESS STEEL TUBES (GRADE 1ST52-BK)(SIZE : 65MM X 5.5MM X 54100MM-5800MM)) | 17.00 | 57,389 | 9,75,619 | PUC |
| Apr-Jun 2012 | 18-May-12 | U S A | 73069090 | COLD DRAWN SEAMLESS TUBE (RTMZCNK18702446) (SIZE:244.6MM ODX 186.94MM ID) | 16.57 | 2,09,695 | 34,75,503 | PUC |
| Apr-Jun 2012 | 10-May-12 | JAPAN | 73041910 | ALLOY STEEL TUBE FOR BEARINGS OD64.70MMXWT8.50MM | 16.00 | 1,30,984 | 20,95,751 | PUC |
| Apr-Jun 2012 | 15-May-12 | CHINA P RP | 73043119 | COLD DRAWN STEEL TUBE [82X69.50MM] | 16.00 | 83,345 | 13,33,520 | PUC |
| Apr-Jun 2012 | 29-May-12 | KOREA RP | 73063010 | MILD STEEL TUBE OF IRON DIN-2393 GRADE ST 52.3 SIZE: 239.60 O.D X 9.65 W.T X 5,1 | 15.59 | 91,209 | 14,21,675 | PUC |
| Apr-Jun 2012 | 09-May-12 | CHINA P RP | 73043119 | COLD DRAWN SEAMLESS STEEL TUBE 31.2*8.5*5800 MM | 15.41 | 64,737 | 9,97,281 | PUC |
| Apr-Jun 2012 | 12-May-12 | JAPAN | 73049000 | ALLOY STEEL SEAMLESS STEEL TUBES O.D. 47.55MM X W/TH. 5.30MM | 15.27 | 2,48,953 | 38,02,639 | PUC |
| Apr-Jun 2012 | 09-May-12 | CHINA P RP | 73043129 | STEEL TUBE 124MM*137MM(FOR CAPTIVE CONSUMPTION) | 15.19 | 56,786 | 8,62,725 | PUC |
| Apr-Jun 2012 | 25-May-12 | JAPAN | 73041990 | SEAMLESS | 15.00 | 1,86,323 | 27,94,850 | PUC |
| Apr-Jun 2012 | 09-May-12 | CZECH REPUBLIC | 73049000 | STOCK LOT CARBON STEEL SEAMLESS LINE PIPES | 15.00 | 33,777 | 5,06,656 | PUC |
| Apr-Jun 2012 | 28-May-12 | CHINA P RP | 73043119 | HORN TUBE [105.50X90MM] | 15.00 | 86,539 | 12,98,091 | PUC |
| Apr-Jun 2012 | 17-May-12 | CHINA P RP | 73049000 | CARBON STEEL SEAMLESS PIPES ASTM A106 GR.B | 15.00 | 47,090 | 7,06,352 | PUC |
| Apr-Jun 2012 | 30-May-12 | CHINA P RP | 73049000 | CARBON STEEL SEAMLESS PIPES | 15.00 | 39,739 | 5,96,079 | PUC |
| Apr-Jun 2012 | 18-May-12 | CHINA P RP | 73043139 | CDS (COLD DRAWN SEAMLESS STEEL) TUBE (OD 273 X ID 216 X 5700 MM) NT QTY5.7 MET | 14.48 | 1,33,832 | 19,37,613 | PUC |
| Apr-Jun 2012 | 05-May-12 | CHINA P RP | 73062919 | SEAMLESS TUBE 42 CRMO4 OD 54.5MM,ID 47.5MM (RANDOM LENGTHS) | 14.00 | 1,33,107 | 18,63,502 | PUC |
| Apr-Jun 2012 | 02-May-12 | CHINA P RP | 73041990 | HOT ROLLED SEAMLESS STEEL PIPES FOR GAS CYLINDERS USING RAWMATERIAL FULFILLS THE | 14.00 | 73,957 | 10,35,400 | PUC |
| Apr-Jun 2012 | 29-May-12 | CHINA P RP | 73041910 | STEEL TUBE (PENTAGON) (JIS G3472, STAM 390GA, PO (10.0X89.0X20X1.6X5520 MM) (102 | 13.94 | 83,335 | 11,61,354 | PUC |
| Apr-Jun 2012 | 15-May-12 | SAUDI ARAB | 73049000 | SECONDARY CARBON STEEL SEAMLESS PIPES WELDING MIXED | 13.00 | 3,08,260 | 40,07,375 | PUC |
| Apr-Jun 2012 | 01-May-12 | CHINA P RP | 73043919 | SEAMLESS STEEL TUBE (SY 2012-0207/PO1193)(SIZE : 42.3 MM X 3.7MM X 5800MM) | 12.56 | 52,717 | 6,62,121 | PUC |
| Apr-Jun 2012 | 28-May-12 | ITALY | 73043911 | SEAMLESS PIPES (UNS32205) SIZE:4 | 11.51 | 3,56,525 | 41,02,686 | PUC |
| Apr-Jun 2012 | 09-May-12 | CHINA P RP | 73049000 | SEAMLESS TUBE Q345B /100X50X5.6 & 8-10M (26 PCS)(FOR CONCRETE MACHINERY) | 11.48 | 69,410 | 7,96,753 | PUC |
| Apr-Jun 2012 | 03-May-12 | JAPAN | 73049000 | COLD DRAWN SEAMLESS TUBE (PIN STEEL) ITEM NO. RGPP101917.20 (+0.08/-0) X 12.0(+/- | 11.48 | 3,38,922 | 38,89,811 | PUC |
| Apr-Jun 2012 | 11-May-12 | GABON | 73069090 | SECONDARY AND DEFECTIVE PIPES | 11.00 | 32,338 | 3,55,722 | PUC |
| Apr-Jun 2012 | 14-May-12 | CHINA P RP | 73043119 | COLD DRAWN STEEL TUBE [105.50X90MM] | 11.00 | 1,47,271 | 16,19,986 | PUC |
| Apr-Jun 2012 | 02-May-12 | CHINA P RP | 73041190 | SEAMLESS STEEL BOOM BRACING TUBE 83 X 6 X 11.7M(FOR CAPTIVE CONSUMPTION) | 11.00 | 1,03,234 | 11,35,572 | PUC |
| Apr-Jun 2012 | 16-May-12 | CHINA P RP | 73043119 | COLD DRAWN SEAMLESS CARBON STEEL TUBES ASTM A-179 (SIZE 30 X 3 X10000 X11800) | 11.00 | 52,448 | 5,76,932 | PUC |
| Apr-Jun 2012 | 21-May-12 | ITALY | 73042990 | SEAMLESS PIPES UNS S32205 6 | 10.52 | 1,70,900 | 17,97,283 | PUC |
| Apr-Jun 2012 | 01-May-12 | CHINA P RP | 73043919 | SEAMLESS STEEL TUBE (SY2012-0207/PO1193)(SIZE : 34MM X 7MM X 5000MM X 5800MM) | 10.23 | 56,426 | 5,77,185 | PUC |

Import Data from DGCIS [All Countries PUC]

Apr 2009 to Jun 2012

| Year | Date | Country | ITC-HS | Item-Des | Quantity (MT) | Price (Rs./MT) | Value (Rs) | PUC/ NPUC |
|--------------|-----------|------------|----------|--|---------------|----------------|------------|--------------|
| Apr-Jun 2012 | 03-May-12 | JAPAN | 73049000 | COLD DRAWN SEAMLESS TUBE (PIN STEEL) ITEM NO. RGPP103118.20 (+0.08/-0) X 12.0(+/-) | 10.21 | 3,30,316 | 33,73,514 | PUC |
| Apr-Jun 2012 | 28-May-12 | CHINA P RP | 73043119 | HIGH CARBON CHROMIUM BEARING STEEL TUBE SIZE 29.00 X 22.00 OD 3.50 MM | 10.07 | 73,633 | 7,41,559 | PUC |
| Apr-Jun 2012 | 09-May-12 | CHINA P RP | 73049000 | SEAMLESS TUBE Q345B /160X80X8 & 8-10M (62 PCS)(FOR CONCRETE MACHINERY) | 9.99 | 67,132 | 6,70,310 | PUC |
| Apr-Jun 2012 | 22-May-12 | THAILAND | 73041910 | STEEL TUBE (PENTAGON) JIS G3472,STAM390GA, PO (10.0 X 89 .0X 20 X 1.6 X 5520 MM) | 9.93 | 84,703 | 8,41,104 | PUC |
| Apr-Jun 2012 | 11-May-12 | CHINA P RP | 73043119 | CARBON STEEL ELBOW SEAMLESS PIPE FITTING ELBOW 90DEG. L/R (SIZE : 16 X 8MM) (G | 9.50 | 63,322 | 6,01,559 | PUC |
| Apr-Jun 2012 | 16-May-12 | CHINA P RP | 73049000 | PIN STEEL TUBE SCM415H OD17.30MMXID13.00MM LENGTH:3000MM-5000MM | 9.00 | 1,70,813 | 15,37,320 | PUC |
| Apr-Jun 2012 | 10-May-12 | GERMANY | 73043919 | STEEL TUBES VARIOUS DIMENSIONS (80 PCS) | 8.86 | 41,630 | 3,68,634 | PUC |
| Apr-Jun 2012 | 24-May-12 | GERMANY | 73043129 | SEAMLESS STEEL TUBE MW450KV 897805 DIA 91.5/52X1221 | 8.67 | 2,48,847 | 21,56,262 | PUC |
| Apr-Jun 2012 | 24-May-12 | GERMANY | 73043919 | SEAMLESS STEEL TUBES OD:6.00MM ID:1.5MM (QTY.7320 METRES) | 8.65 | 3,10,942 | 26,90,891 | PUC |
| Apr-Jun 2012 | 17-May-12 | CHINA P RP | 73049000 | SEAMLESS PIPE - 86.00 X 71.50 X 7.25 | 8.57 | 66,989 | 5,73,760 | PUC |
| Apr-Jun 2012 | 25-May-12 | CHINA P RP | 73049000 | 180 X 150 MM (ST45) HONED ROLLER BURNISHED SEAMLESS STEEL TUBES (ODXID) | 8.36 | 45,857 | 3,83,596 | PUC |
| Apr-Jun 2012 | 08-May-12 | GERMANY | 73043119 | SEAMLESS STEEL TUBES STEEL GRADE-C 63,50X7,49 MW-137 PCS | 7.53 | 1,99,364 | 15,01,785 | PUC |
| Apr-Jun 2012 | 29-May-12 | CHINA P RP | 73045110 | BEARING QUALITY STEEL TUBE SAE52100:42.4*6.0MM | 7.29 | 72,735 | 5,30,238 | PUC |
| Apr-Jun 2012 | 18-May-12 | CHINA P RP | 73043129 | CDS (COLD DRAWN SEAMLESS STEEL) TUBE (OD 185 X ID 114 X 1110MM) NT QTY 22.20 MET | 7.12 | 1,13,065 | 8,04,574 | PUC |
| Apr-Jun 2012 | 07-May-12 | JAPAN | 73049000 | PIN STEEL TUBE SCM415H : OD16.30MM X ID11MM | 7.02 | 3,24,855 | 22,80,483 | PUC |
| Apr-Jun 2012 | 25-May-12 | CHINA P RP | 73049000 | CARBON STEEL SEAMLESS PIPES | 7.00 | 36,827 | 2,57,791 | PUC |
| Apr-Jun 2012 | 21-May-12 | CHINA P RP | 73041990 | BEARING QUALITY STEEL TUBE SIZE 64.0*5.0 (3 BUNDLES) | 6.83 | 73,246 | 5,00,419 | PUC |
| Apr-Jun 2012 | 11-May-12 | JAPAN | 73049000 | COLD DRAWN SEAMLESS STEEL TUBE ITEM NO. O.D. 13.20MM X I.D.9.00MM GRADE SCM-415H | 6.57 | 3,89,834 | 25,62,770 | PUC |
| Apr-Jun 2012 | 26-May-12 | CHINA P RP | 73042990 | (MILD STEEL) HONED TUBE OD 90 X ID 75 X LG 840 (NET QTY.83.86 MTR, 27.71 USD | 6.35 | 94,296 | 5,98,404 | PUC |
| Apr-Jun 2012 | 07-May-12 | JAPAN | 73049000 | PINSTEEL TUBE SCM415H : OD20.35MM X 12MM | 6.30 | 3,56,475 | 22,45,790 | PUC |
| Apr-Jun 2012 | 24-May-12 | CHINA P RP | 73042990 | C.S.SEAMLESS STEEL TUBE (API 5L/ASTM A106 GR.B/A53) : OD141.3MM X WT19.05MM (AVG | 6.09 | 50,976 | 3,10,648 | PUC |
| Apr-Jun 2012 | 22-May-12 | CHINA P RP | 73042390 | 2-7/8 SHORT DRILL PIPE EU IF LH 10.4PPF G-105 4MTR(DRILL PIPES & PUP JOINTS FOR | 6.00 | 1,33,415 | 8,00,487 | PUC |
| Apr-Jun 2012 | 22-May-12 | CHINA P RP | 73042390 | 2-7/8 SHORT DRILL PIPE EU IF RH 10.4PPF G-105 4 MTR(DRILL PIPES & PUP JOINTS FO | 6.00 | 1,33,415 | 8,00,487 | PUC |
| Apr-Jun 2012 | 24-May-12 | CHINA P RP | 73049000 | CARBON STEELSEAMLESS MOTHER PIPES (HOT FINISHED)(RDAH2812220)273.05MM OD, 7540 M | 6.00 | 88,573 | 5,31,438 | PUC |
| Apr-Jun 2012 | 02-May-12 | CHINA P RP | 73041990 | HOT ROLLED SEAMLESS STEEL PIPES FOR GAS CYLINDERS USING RAWMATERIAL FULFILLS THE | 6.00 | 69,452 | 4,16,713 | PUC |
| Apr-Jun 2012 | 25-May-12 | CHINA P RP | 73049000 | CARBON STEEL SEAMLESS PIPE | 6.00 | 45,879 | 2,75,274 | PUC |
| Apr-Jun 2012 | 04-May-12 | CHINA P RP | 73045110 | BEARING QUALITY STEEL TUBE SAE52100:42.4*6.0MM | 5.59 | 69,030 | 3,85,670 | PUC |
| Apr-Jun 2012 | 21-May-12 | CHINA P RP | 73045110 | BEARING QUALITY STEEL TUBE SAE52100:42.4*6.0MM | 5.50 | 69,030 | 3,79,596 | PUC |
| Apr-Jun 2012 | 22-May-12 | JAPAN | 73049000 | 127PIH042 STKM11A E-C 38.0 X 1.6 X 3500-4000 STEEL TUBE FOR FUEL PUMP (CAPTIVE | 5.47 | 2,63,851 | 14,42,737 | PUC |
| Apr-Jun 2012 | 08-May-12 | JAPAN | 73049000 | 127PIH041 STKM11A E-C 38.0 X 1.6 X 3500-4000 STEEL TUBE FOR FUEL PUMP (CAPTIVE | 5.46 | 2,63,906 | 14,40,397 | PUC |
| Apr-Jun 2012 | 09-May-12 | CHINA P RP | 73043119 | COLD DRAWN SEAMLESS STEEL TUBE 31.2*8.5*5800 MM | 5.44 | 64,735 | 3,51,836 | PUC |
| Apr-Jun 2012 | 10-May-12 | GERMANY | 73043911 | PIPE EFSW ASTM A691 1.25 CR CLASS 42 GENERAL 20 (500 MM) SCH XS BEVELLED END AS | 5.29 | 2,53,569 | 13,40,366 | PUC |
| Apr-Jun 2012 | 10-May-12 | GERMANY | 73043911 | PIPE EFSW ASTM A691 1.25 CR CLASS 42 GENERAL 20 (500 MM) SCH XS BEVELLED END AS | 5.27 | 2,53,673 | 13,35,842 | PUC |
| Apr-Jun 2012 | 10-May-12 | GERMANY | 73043121 | M.S. SEAMLESS PIPES,2ND CHOICE MIX | 5.00 | 33,450 | 1,67,252 | PUC |
| Apr-Jun 2012 | 28-May-12 | CHINA P RP | 73043129 | HORN TUBE [130X110MM] | 5.00 | 88,069 | 4,40,344 | PUC |
| Apr-Jun 2012 | 24-May-12 | GERMANY | 73043919 | SEAMLESS STEEL TUBES O.D. 6.00 MM I.D. 1.6 MM (21240 METRES) | 4.46 | 3,11,190 | 13,86,350 | PUC |
| Apr-Jun 2012 | 15-May-12 | GERMANY | 73043919 | BOILER TUBES, SMLS 114.30 MM 3.60 MM P235GH TC1 EN 10216-2 (84.710 MTR) | 4.26 | 3,43,124 | 14,60,337 | PUC |
| Apr-Jun 2012 | 09-May-12 | CHINA P RP | 73049000 | SEAMLESS TUBE-#Q345B/100X50X8.8&8-10M (27 PCS) (FOR CONCRETE MACHINERY) | 4.22 | 66,070 | 2,78,816 | PUC |
| Apr-Jun 2012 | 24-May-12 | GERMANY | 73043919 | SEAMLESS STEEL TUBES O.D. 6.00 MM 1.D. 1.8 MM (19849 METRES) | 4.09 | 3,10,758 | 12,69,447 | PUC |
| Apr-Jun 2012 | 07-May-12 | JAPAN | 73041910 | ALLOY STEEL TUBE FOR BEARINGS- SUJ2 JC OD 64.70 MM | 4.00 | 1,44,318 | 5,77,272 | PUC |
| Apr-Jun 2012 | 02-May-12 | CHINA P RP | 73049000 | CARBON STEEL SEAMLESS PIPES STOCK LOT | 4.00 | 37,655 | 1,50,621 | PUC |

Import Data from DGCIS [All Countries PUC]

Apr 2009 to Jun 2012

| Year | Date | Country | ITC-HS | Item-Des | Quantity (MT) | Price (Rs./MT) | Value (Rs) | PUC/ NPUC |
|--------------|-----------|-------------|----------|--|---------------|----------------|------------|--------------|
| Apr-Jun 2012 | 24-May-12 | GERMANY | 73043919 | SEAMLESS STEEL TUBES O.D. 6.00 MM I.D. 1.6 MM (19393.93 METRES) | 3.98 | 3,18,374 | 12,65,856 | PUC |
| Apr-Jun 2012 | 18-May-12 | FRANCE | 73044900 | FOC SEAMLESS TUBE-T00800AD080FI (TUBES FOR MFG AIRCRAFT PARTS)6,40*8,00*0,80MM | 3.81 | 1,24,973 | 4,75,928 | PUC |
| Apr-Jun 2012 | 16-May-12 | GERMANY | 73043919 | SEAMLESS P+P HIGH-PRESSURE STEEL TUBES OD 6.350MM ID 1.800MM | 3.61 | 3,68,191 | 13,28,433 | PUC |
| Apr-Jun 2012 | 15-May-12 | CHINA P RP | 73049000 | 4 LAYER WIRE BRADED HOSE ,5 SIZE*3MTR LENGTH, WORKING PRESSURE 85BAR & BURSTING | 3.50 | 76,364 | 2,67,120 | PUC |
| Apr-Jun 2012 | 17-May-12 | U K | 73042990 | PUP JOINTS, PUP JOINT OD 2-7/8 , 10.4PPF, G-105 EU/RH,LENGTH 6FT | 3.02 | 3,00,173 | 9,06,521 | PUC |
| Apr-Jun 2012 | 17-May-12 | U K | 73042990 | PUP JOINTS, PUP JOINT OD 2-7/8 , 10.4PPF, G-105, EU/LHLENGTH 6FT | 3.00 | 2,66,749 | 8,00,247 | PUC |
| Apr-Jun 2012 | 12-May-12 | JAPAN | 73043911 | SEAMLESS TUBULAR (API 5L GRADE X52) SIZE: OD 4 | 3.00 | 1,75,189 | 5,25,568 | PUC |
| Apr-Jun 2012 | 17-May-12 | NETHERLAND | 73042990 | PIPE SEAMLESS A-106 GR-B SIZE 4 | 3.00 | 75,288 | 2,25,863 | PUC |
| Apr-Jun 2012 | 21-May-12 | U S A | 73049000 | CARBON STEEL PIPES (SECONDARY DEFECTIVE) NON ALLOY | 3.00 | 30,503 | 91,509 | PUC |
| Apr-Jun 2012 | 15-May-12 | CHINA P RP | 73049000 | 5 DP PUP JOINT 5 FEET LONG (OIL FIELD EQUIPMENT-MADE OF CAST IRON) | 3.00 | 53,819 | 1,61,456 | PUC |
| Apr-Jun 2012 | 11-May-12 | CHINA P RP | 73043129 | NON ALLOY STEEL SEAMLESS PIPES API 5L GRADE B 168.3MMX7.11MM | 3.00 | 53,658 | 1,60,975 | PUC |
| Apr-Jun 2012 | 24-May-12 | ISRAEL | 73043919 | SEAMLESS STEEL TUBES O.D. 6.00 MM I.D. 1.6 MM (4800 METRES) | 2.91 | 3,10,737 | 9,04,245 | PUC |
| Apr-Jun 2012 | 31-May-12 | THAILAND | 73069090 | CARBON STEEL PIPE - 9 X 0.6 X 2200 MM | 2.74 | 1,85,369 | 5,07,061 | PUC |
| Apr-Jun 2012 | 28-May-12 | JAPAN | 73049000 | SEAMLESS TUBES SCM415H O.D/16.20X I.D.11.0(MM) (3032.55 MTRS) | 2.64 | 3,70,820 | 9,80,448 | PUC |
| Apr-Jun 2012 | 30-May-12 | NETHERLAND | 73049000 | HOLLOW SECTION 220X220X08 (18 PCS) | 2.45 | 1,01,706 | 2,49,078 | PUC |
| Apr-Jun 2012 | 08-May-12 | GERMANY | 73041910 | SEAMLESS COLD DRAWN STEEL TUBES (500 KGS) PO NUMBER 120811006333-10 (610 SETS)1 | 2.33 | 1,21,270 | 2,82,560 | PUC |
| Apr-Jun 2012 | 08-May-12 | MALAYSIA | 73043119 | COLD DRAWN SEAMLESS HYDRAULIC AND PNEUMATIC LINE PIPES(ROUND28X2X24) (COO :AUSTR | 2.32 | 1,53,871 | 3,57,673 | PUC |
| Apr-Jun 2012 | 24-May-12 | JAPAN | 73049000 | SEAMLESS ALLOY STEEL TUBES JIS G3441 SCM415TK 36.70MM OD X 28.10MM ID X 5M | 2.06 | 1,76,586 | 3,64,473 | PUC |
| Apr-Jun 2012 | 01-May-12 | CHINA P RP | 73049000 | COLD DRAWN SEAMLESS STEE | 2.06 | 68,543 | 1,41,405 | PUC |
| Apr-Jun 2012 | 28-May-12 | JAPAN | 73049000 | COLD DRAWN SEAMLESS STEEL TUBE ITEM NO. O.D. 13.20MM X I.D.9.00MM GRADE SCR-420H | 2.00 | 4,31,951 | 8,65,630 | PUC |
| Apr-Jun 2012 | 10-May-12 | SWEDEN | 73045120 | KANTHAL APM TUBE 128/117X1305 WITH INTERNAL END CAP 803031 [STEEL TUBE] | 2.00 | 4,89,556 | 9,79,111 | PUC |
| Apr-Jun 2012 | 24-May-12 | CHINA P RP | 73049000 | CARBON STEELSEAMLESS MOTHER PIPES (HOT FINISHED) (RDAH2822120)273.05MM OD,7540 M | 2.00 | 88,573 | 1,77,146 | PUC |
| Apr-Jun 2012 | 14-May-12 | SWEDEN | 73049000 | HYDRAULIC TUBE 22MMX1.5MMX6000MM THT-3R60-22-1.5 FL-35-6000(CERT.NO.119/CDEC/36 | 1.91 | 10,13,267 | 19,37,041 | PUC |
| Apr-Jun 2012 | 03-May-12 | U ARAB EMTS | 73069090 | 2 PIPE SMLS BE ASME B36.10 ASTM (IMPORTER IS OPERATOR AND UNDERTAKING IS NOT RE | 1.90 | 3,27,903 | 6,24,254 | PUC |
| Apr-Jun 2012 | 01-May-12 | NETHERLAND | 73043939 | SEAMLESS PIPE P355T1/ST52/WNR.1.0421/S355J2H,LENGTHS SIZE(MM):OD273X WT45 | 1.82 | 2,19,658 | 4,00,216 | PUC |
| Apr-Jun 2012 | 14-May-12 | SWEDEN | 73045120 | KANTHAL APM TUBE 26.67/20.93X1500 WITH INTERNAL END CAP 807212 [APM STEEL TUBE F | 1.50 | 2,14,878 | 3,22,317 | PUC |
| Apr-Jun 2012 | 09-May-12 | CHINA P RP | 73042990 | SUBS & CROSSOVERS (LIFT SUB WITH 4 IF PIN : 6-1/4 OD X 2-1/4 ID LENGTH 36 , 18" | 1.40 | 2,29,872 | 3,21,821 | PUC |
| Apr-Jun 2012 | 03-May-12 | SINGAPORE | 73041990 | (SEAMLESS PIPES) 6 SCH120 168.3 X 14.27 2.100 MM FIX | 1.14 | 4,16,389 | 4,74,151 | PUC |
| Apr-Jun 2012 | 15-May-12 | ITALY | 73043929 | TUBES (COLD DRAWN SMLS CYLINDER TUBES) (E355+SR EN 10305/1, INSIDE H8) (MM 155X | 1.05 | 6,47,988 | 6,80,387 | PUC |
| Apr-Jun 2012 | 28-May-12 | JAPAN | 73049000 | COLD DRAWN SEAMLESS STEEL TUBE ITEM NO. O.D. 16.20MM X I.D.11.00MM GRADE SCR-420 | 1.00 | 3,90,149 | 3,90,539 | PUC |
| Apr-Jun 2012 | 31-May-12 | JAPAN | 73043911 | SEAMLESS TUBULARS (API 5L GRADE X52 PSL-2) SIZE: OD 4 | 1.00 | 1,12,345 | 1,12,345 | PUC |
| Apr-Jun 2012 | 02-May-12 | CHINA P RP | 73042390 | DRILL PIPES (S.O. NO.4050007518) SHORT 5 IEU, RH. G-105, 19.5 PPF T/J OD 6-5/8 | 1.00 | 9,59,658 | 9,59,658 | PUC |
| Apr-Jun 2012 | 15-May-12 | CHINA P RP | 73043939 | SEAMLESS CARBON AND ALLOY STEEL BOILER TUBES, GRADE ASME SA210 A1, SIZE: 57X7X50 | 1.00 | 5,62,043 | 5,62,043 | PUC |
| Apr-Jun 2012 | 15-May-12 | CHINA P RP | 73041110 | 1/4 X 1 - 6 FEET LONG AISI : 416 HOT ROLLED & ANNEALED FLAT | 0.98 | 3,99,102 | 3,92,716 | PUC |
| Apr-Jun 2012 | 22-May-12 | CHINA P RP | 73042400 | 6MM BALL NOSE (CARBIDE STEEL) | 0.95 | 58,785 | 55,846 | PUC |
| Apr-Jun 2012 | 23-May-12 | U S A | 73042390 | GUIDE, STABBING, FOR 5-1/2 IN DRILL PIPE WITH 7-1/4 IN OD TOOL JOINT AND HT-55 C | 0.88 | 2,02,689 | 1,78,772 | PUC |
| Apr-Jun 2012 | 15-May-12 | ITALY | 73043919 | TUBES (COLD DRAWN SMLS CYLINDER TUBES)(E355+SR EN 10305/1, READY FOR HONING) (MM | 0.81 | 1,24,363 | 1,00,983 | PUC |
| Apr-Jun 2012 | 10-May-12 | SPAIN | 73049000 | TUBES (SA 179) SIZE: 50,8 X 4,572MM. THK(MIN) X 9674 MM (831.00 KGS) | 0.76 | 1,16,428 | 88,025 | PUC |
| Apr-Jun 2012 | 15-May-12 | U S A | 73042390 | GUIDE, STABBING, FOR 5-1/2 IN DRILL PIPE WITH 7-1/4 IN OD TOOL JOINT AND HT-55 C | 0.75 | 2,00,941 | 1,50,706 | PUC |
| Apr-Jun 2012 | 15-May-12 | GERMANY | 73044900 | 0198390 CIRCULAR TUBES | 0.71 | 65,317 | 46,375 | PUC |
| Apr-Jun 2012 | 17-May-12 | GERMANY | 73049000 | BOILER TUBES ASTM SMLS 60.30 MM 3.91 | 0.70 | 1,37,238 | 96,297 | PUC |

**Import Data from DGCIS [All Countries PUC]
Apr 2009 to Jun 2012**

| Year | Date | Country | ITC-HS | Item-Des | Quantity (MT) | Price (Rs./MT) | Value (Rs) | PUC/ NPUC |
|--------------|-----------|------------|----------|---|---------------|----------------|--------------|--------------|
| Apr-Jun 2012 | 18-May-12 | CHINA P RP | 73043119 | CDS (COLD DRAWN SEAMLESS STEEL) TUBE (OD 50.8 X ID 31.40 X 1060 MM) NT QTY 6 | 0.65 | 1,01,937 | 65,851 | PUC |
| Apr-Jun 2012 | 18-May-12 | THAILAND | 73041910 | STAM390GA - PENTAGON STEEL TUBE 10X89 X20 X1.6X 548MM | 0.64 | 2,44,436 | 1,56,439 | PUC |
| Apr-Jun 2012 | 21-May-12 | ITALY | 73049000 | HCTFCILEN1030C0002 HYDRAULIC CYLINDERS TUBE SEAMLESS STEEL PIPES | 0.61 | 3,40,541 | 2,07,730 | PUC |
| Apr-Jun 2012 | 24-May-12 | GERMANY | 73043911 | CS NACE SEAMLESS PIPE (A106 GRB) SIZE: 6 (C.O.: JAPAN) | 0.60 | 3,67,657 | 2,20,594 | PUC |
| Apr-Jun 2012 | 18-May-12 | JAPAN | 73049000 | PIPE CS PIPE SMLS SA106 GR.B 1 SCH-160 BE 6M/PCS(1 PCS) | 0.57 | 2,04,620 | 1,16,224 | PUC |
| Apr-Jun 2012 | 09-May-12 | SWEDEN | 73044900 | 52-089-10508617 DRILL PIPE 89X4X4M API 23 (10 PCS) | 0.54 | 5,11,878 | 2,76,414 | PUC |
| Apr-Jun 2012 | 10-May-12 | U K | 73041190 | ALLOY TUBE BS4T45/5T100, T45+SR,1.25 O/D X .080 WALL | 0.42 | 3,17,755 | 1,32,909 | PUC |
| Apr-Jun 2012 | 18-May-12 | GERMANY | 73043119 | SEAMLESS HYDRAULIC TUBES ACC. TO EN 10305-4 E235+N,NORMALIZED BRIGHT(COMP. FOR W | 0.40 | 5,97,905 | 2,40,358 | PUC |
| Apr-Jun 2012 | 21-May-12 | GERMANY | 73043129 | SEAMLESS STEEL TUBES (PO NUMBER 120811006333-12) (440 SETS)1320 MTR | 0.35 | 2,94,529 | 1,01,907 | PUC |
| Apr-Jun 2012 | 22-May-12 | CHINA P RP | 73041910 | 2-3/8 #4.7 PUP JOINT 10 FT EUE PIN X PUP JOINT (WITHOUT COUPLING) ACCORDING TO | 0.34 | 2,51,346 | 85,709 | PUC |
| Apr-Jun 2012 | 25-May-12 | SINGAPORE | 73049000 | HYDRAULIC TUBE ST37.4 22MM OD X 2.0MM X 6M | 0.33 | 14,02,532 | 4,55,823 | PUC |
| Apr-Jun 2012 | 10-May-12 | CHINA P RP | 73045120 | SEAMLESS HONED TUBE(ST52.3,ISO H8,RA:0.2-0.4 MICRON,DIN 2391)(MM170X140X7000)(FO | 0.30 | 5,41,620 | 1,62,486 | PUC |
| Apr-Jun 2012 | 29-May-12 | CHINA P RP | 73043919 | SEAMLESS STEEL PIPES-GR ST35(10#)-A (55.6*5100-5800) | 0.30 | 80,297 | 24,089 | PUC |
| Apr-Jun 2012 | 15-May-12 | CHINA P RP | 73049000 | SPARE PARTS OF WIRE DRAWING MACHINE: TUBE MATERIAL NO.117038-1(@ EUR 167.59 PER | 0.29 | 4,18,769 | 1,19,768 | PUC |
| Apr-Jun 2012 | 17-May-12 | NETHERLAND | 73049000 | SEAMLESS TUBING, OD=31.75 MM X 3.05 MM IN MATERIAL-ASTM-B163 -(34 PCS) | 0.25 | 50,27,028 | 12,66,811 | PUC |
| Apr-Jun 2012 | 19-May-12 | GERMANY | 73043919 | 10459094 PIPE SEAMLESS ROHR NAHTLOS | 0.22 | 1,71,469 | 38,409 | PUC |
| Apr-Jun 2012 | 29-May-12 | GERMANY | 73044900 | 1197959 CIRCULAR TUBES | 0.10 | 2,40,660 | 24,066 | PUC |
| Apr-Jun 2012 | 22-May-12 | CHINA P RP | 73045920 | SEAMLESS CARBON STEEL PIPES SMLS, 6 ,2M, S40,A106,B, BE /2MTRS /1 PC | 0.10 | 30,770 | 3,077 | PUC |
| Apr-Jun 2012 | 02-May-12 | IRELAND | 73044900 | DRILLPIPE 076 X 6.3 X 6000MM - 52-0767-101041 (QTY- 1PCS) | 0.07 | 3,77,764 | 27,199 | PUC |
| Apr-Jun 2012 | 14-May-12 | FRANCE | 73049000 | TUBE-TU-6AX01-M-SIL1-583250 | 0.06 | 7,02,283 | 42,137 | PUC |
| Apr-Jun 2012 | 17-May-12 | GERMANY | 73041190 | PIPE 18 X 2 21505899 | 0.03 | 5,86,292 | 17,588 | PUC |
| Apr-Jun 2012 | 22-May-12 | CHINA P RP | 73045910 | SEAMLESS CARBON STEEL PIPES SMLS, 4 ,2M, S120,A106,B, BE IBR/2 MTRS /1 PC | 0.03 | 1,24,480 | 3,112 | PUC |
| Apr-Jun 2012 | 21-May-12 | KUWAIT | 73042990 | M.S.REJECTED PIPES | 0.01 | 31,900 | 319 | PUC |
| Apr-Jun 2012 | 29-Jun-12 | GERMANY | 73041990 | OIL WELL EQUIPMENT: SEAMLESS LINE PIPES AS PER PO.NO.PLL/PROC/POIN04/PIPES/33802 | 8,408.21 | 56,407 | 47,42,82,868 | PUC |
| Apr-Jun 2012 | 04-Jun-12 | EGYPT A RP | 73069090 | MS PIPES RUSTED AND PITTED. | 2,056.00 | 26,347 | 5,41,69,569 | PUC |
| Apr-Jun 2012 | 04-Jun-12 | EGYPT A RP | 73069090 | MS PIPES RUSTED AND PITTED. | 1,737.00 | 26,353 | 4,57,74,627 | PUC |
| Apr-Jun 2012 | 29-Jun-12 | CHINA P RP | 73062919 | CASING (19807.49 MTRS) USE IN OIL WELL DRILLING OPERATION | 1,385.34 | 62,816 | 8,70,21,401 | PUC |
| Apr-Jun 2012 | 04-Jun-12 | EGYPT A RP | 73069090 | MS PIPES RUSTED AND PITTED. | 1,041.00 | 33,573 | 3,49,49,861 | PUC |
| Apr-Jun 2012 | 11-Jun-12 | CHINA P RP | 73042990 | PUP JOINT 7 26PPF, N-80 BTC | 837.98 | 25,850 | 2,16,62,018 | PUC |
| Apr-Jun 2012 | 12-Jun-12 | CHINA P RP | 73043129 | HYDRAULIC CYLINDER TUBE 180*160(FOR CAPTIVE CONSUMPTION) | 785.00 | 2,286 | 17,94,359 | PUC |
| Apr-Jun 2012 | 14-Jun-12 | ITALY | 73049000 | CARBON STEEL SEAMLESS PIPES SIZE ASTM A106 OD:219.10MM/8.626IN, 200 DN | 614.00 | 90,323 | 5,54,58,465 | PUC |
| Apr-Jun 2012 | 27-Jun-12 | CHINA P RP | 73045930 | SEAMLESS STEEL GAS CYLINDERS TUBE SIZE: 232.0MM X 5.4MM (GRADE: 37MN) | 581.00 | 64,249 | 3,73,28,850 | PUC |
| Apr-Jun 2012 | 11-Jun-12 | CHINA P RP | 73042990 | TUBING 2 7/8 OD, 6.5 PPF, L-80, EUE (580.267 MT) (6275 PCS)(S.O.NO.4050007635) | 580.08 | 74,256 | 4,30,74,563 | PUC |
| Apr-Jun 2012 | 25-Jun-12 | NETHERLAND | 73069090 | MS RUSTED AND PITTED PIPES UNUSED | 507.00 | 34,227 | 1,73,52,976 | PUC |
| Apr-Jun 2012 | 06-Jun-12 | ITALY | 73069090 | SEAMLESS STEEL TUBES FOR HYDRAULIC CYLINDER (RTJ6GHK18892730) (SIZE: OD:273,10 M | 449.97 | 60,819 | 2,73,66,743 | PUC |
| Apr-Jun 2012 | 14-Jun-12 | CHINA P RP | 73042990 | SEAMLESS STEEL CASING IN R3, ACC TO API 5CT 5-1/2 , 17 # STC, K55 | 436.23 | 67,907 | 2,96,23,024 | PUC |
| Apr-Jun 2012 | 23-Jun-12 | ITALY | 73041990 | HGNAJPMX00000C0001 HOLLOW FOR GAS CYLINDER SMLS STEEL PIPES (94 PCS) SEAMLESS CYL | 410.63 | 55,415 | 2,27,55,149 | PUC |
| Apr-Jun 2012 | 25-Jun-12 | U S A | 73045930 | SEAMLESS STEEL GAS CYLINDER TUBE 232.0MM X 5.4 MM | 390.00 | 64,274 | 2,50,66,878 | PUC |
| Apr-Jun 2012 | 21-Jun-12 | ITALY | 73069090 | SEAMLESS STEEL TUBES FOR HYDRAULIC CYLINDER (SIZE: OD: 225,00 MM X ID: 0,01MM) | 388.20 | 64,221 | 2,49,30,722 | PUC |
| Apr-Jun 2012 | 13-Jun-12 | FRANCE | 73049000 | CARBON STEEL SEAMLESS TUBES (SA 210M) SIZE: OD 45MM X MIN. WT 6.9MM (50590.000 M | 354.13 | 76,176 | 2,69,76,048 | PUC |
| Apr-Jun 2012 | 13-Jun-12 | FRANCE | 73049000 | CARBON STEEL SEAMLESS TUBES (SA210M) SIZE: OD 45MM X MIN. WT 6.9MM (50560.000 MT | 353.92 | 76,176 | 2,69,60,051 | PUC |

**Import Data from DGCIS [All Countries PUC]
Apr 2009 to Jun 2012**

| Year | Date | Country | ITC-HS | Item-Des | Quantity (MT) | Price (Rs./MT) | Value (Rs) | PUC/ NPUC |
|--------------|-----------|-------------|----------|--|---------------|----------------|-------------|--------------|
| Apr-Jun 2012 | 11-Jun-12 | CHINA P RP | 73043911 | SEAMLESS STEEL CYLINDER PIPE (37MN) SIZE:232MM X 5.4MM (ALLOY STEEL) | 333.12 | 62,511 | 2,08,23,996 | PUC |
| Apr-Jun 2012 | 13-Jun-12 | FRANCE | 73049000 | CARBON STEEL SEAMLESS TUBES (SA 210) SIZE: OD 45MM X MIN WT. 6.9MM (47000.00 MTR | 329.00 | 76,176 | 2,50,61,756 | PUC |
| Apr-Jun 2012 | 22-Jun-12 | U ARAB EMTS | 73042390 | OILWELL SUPPLIES - DRILL PIPE 5 INCH=16 PCS X 1 BUNDLE=4848KGS (1 BUNDLE) | 305.86 | 78,575 | 2,40,33,230 | PUC |
| Apr-Jun 2012 | 22-Jun-12 | U ARAB EMTS | 73042390 | OILWELL SUPPLIES - DRILL PIPE 5 INCH=7 PCS X 1 BUNDLE=2121KGS (2 BUNDLE) | 305.86 | 78,575 | 2,40,33,230 | PUC |
| Apr-Jun 2012 | 11-Jun-12 | CHINA P RP | 73049000 | CARBON STEEL SEAMLESS PIPE ASTM 106 GR.B/API 5L GR.B | 291.00 | 39,267 | 1,14,26,648 | PUC |
| Apr-Jun 2012 | 12-Jun-12 | CHINA P RP | 73043929 | CARBON STEEL SEAMLESS MOTHER PIPES(HOT FINISH API 5L PSL 1GR. B/ASTM A106 168.3 | 275.00 | 47,730 | 1,31,25,722 | PUC |
| Apr-Jun 2012 | 22-Jun-12 | U ARAB EMTS | 73042390 | OILWELL SUPPLIES - DRILL PIPE 3 1/2 INCH=4 PCS X 1 BUNDLE=912 KGS (1 BUNDLES) | 272.10 | 88,326 | 2,40,33,230 | PUC |
| Apr-Jun 2012 | 22-Jun-12 | U ARAB EMTS | 73042390 | OILWELL SUPPLIES - DRILL PIPE 3 1/2 INCH=4 PCS X 1 BUNDLE=912 KGS (1 BUNDLES) | 272.10 | 88,326 | 2,40,33,230 | PUC |
| Apr-Jun 2012 | 22-Jun-12 | U ARAB EMTS | 73042390 | OILWELL SUPPLIES - DRILL PIPE 3 1/2 INCH=4 PCS X 1 BUNDLE=912 KGS (1 BUNDLES) | 272.10 | 88,326 | 2,40,33,230 | PUC |
| Apr-Jun 2012 | 01-Jun-12 | CHINA P RP | 73042390 | 2 7/8 6.5 # N80 EUE PUP JOINT 5 METERS | 261.92 | 17,011 | 44,55,610 | PUC |
| Apr-Jun 2012 | 26-Jun-12 | CHINA P RP | 73043929 | HOT ROLLED SEAMLESS STEEL TUBE (C-MN) SIZE 232MM X 5.4MM | 253.00 | 65,239 | 1,65,05,350 | PUC |
| Apr-Jun 2012 | 04-Jun-12 | CHINA P RP | 73049000 | SEAMLESS | 250.00 | 71,057 | 1,77,64,125 | PUC |
| Apr-Jun 2012 | 11-Jun-12 | CHINA P RP | 73042990 | 3-1/2 OD, L-80,9.3 PPF, EUE TUBING (248.961 MT) (1872 PCS)(INV.NO. MUL/ONGC/763 | 248.93 | 74,074 | 1,84,38,782 | PUC |
| Apr-Jun 2012 | 04-Jun-12 | CHINA P RP | 73043119 | COLD DRAWN SEAMLESS CARBON STEEL TUBES ST 52.4 SIZE - 30X4.0X 10000-12000MM) | 237.38 | 59,027 | 1,40,11,771 | PUC |
| Apr-Jun 2012 | 09-Jun-12 | CHINA P RP | 73042990 | CARBON STEEL SEAMLESS PIPES API 5L / ASTM A 106 GR. B | 227.00 | 39,305 | 89,22,155 | PUC |
| Apr-Jun 2012 | 11-Jun-12 | CHINA P RP | 73042990 | 3-1/2 OD, L-80,9.3 PPF, EUE TUBING (221.101 MT) (1658 PCS)(INV.NO. MUL/ONGC/763 | 221.07 | 74,076 | 1,63,75,820 | PUC |
| Apr-Jun 2012 | 11-Jun-12 | CHINA P RP | 73042990 | TUBE 2 7/8 L-80 EUE 8.7 PPF TUBING (206.997 MT) (1644 PCS)(INV.NO. MUL/ONGC/763 | 206.92 | 81,758 | 1,69,17,632 | PUC |
| Apr-Jun 2012 | 22-Jun-12 | CHINA P RP | 73042990 | CARBON STEEL SEAMLESS TUBES ASTM A179 (SIZE 30MMX3MMX10.6-11.8M) | 205.00 | 56,769 | 1,16,37,584 | PUC |
| Apr-Jun 2012 | 18-Jun-12 | CHINA P RP | 73049000 | MILD STEEL SEAMLESS PIPES ACCORDING TO ASTM A106/A53/API 5LGR.B | 204.00 | 41,208 | 84,06,382 | PUC |
| Apr-Jun 2012 | 05-Jun-12 | CHINA P RP | 73043119 | COLD DRAWN SEAMLESS CARBON STEEL TUBES ASTM A 179 (SIZE : 30 X 3 X 10000 - 1180 | 200.00 | 57,341 | 1,14,68,259 | PUC |
| Apr-Jun 2012 | 11-Jun-12 | CHINA P RP | 73042990 | TUBING 2-7/8 OD 6.5 PPF L-80 EUE (193.227 MT) (2097 PCS) (S.O.NO.4050007635) (I | 193.29 | 74,256 | 1,43,52,641 | PUC |
| Apr-Jun 2012 | 20-Jun-12 | CHINA P RP | 73041910 | SEAMLESS STEEL PIPE SIZE:273MM X 35MM ASTM A 106 GR. | 179.00 | 48,647 | 87,07,751 | PUC |
| Apr-Jun 2012 | 15-Jun-12 | CHINA P RP | 98010013 | SEAMLESS CARBON STEEL PIPES TO SPEC SA106C | 168.00 | 80,639 | 1,35,47,376 | PUC |
| Apr-Jun 2012 | 21-Jun-12 | CHINA P RP | 73043119 | COLD DRAWN SEAMLESS STEEL TUBES 50MM OD X 38MM ID X 5.5M | 168.00 | 73,290 | 1,23,12,795 | PUC |
| Apr-Jun 2012 | 21-Jun-12 | FRANCE | 73049000 | CARBON STEEL SEAMLESS PIPES STOCK LOT | 160.00 | 35,239 | 56,38,217 | PUC |
| Apr-Jun 2012 | 26-Jun-12 | CHINA P RP | 73061929 | MS RUSTED & PITTED PIPES | 156.00 | 33,871 | 52,83,827 | PUC |
| Apr-Jun 2012 | 22-Jun-12 | CHINA P RP | 73049000 | SEAMLESS | 150.00 | 74,044 | 1,11,06,585 | PUC |
| Apr-Jun 2012 | 30-Jun-12 | CHINA P RP | 73043939 | SEAMLESS STEEL PIPES ACCORDING TO ASTM A 106/API5L/GR.B, SIZE: 3 SCH80 | 150.00 | 50,502 | 75,75,369 | PUC |
| Apr-Jun 2012 | 12-Jun-12 | CHINA P RP | 73043939 | CARBON STEEL SEAMLESS MOTHER PIPES(HOT FINISH) API 5L PSL 1GR. B/ASTM A106 219.1 | 149.00 | 48,583 | 72,38,874 | PUC |
| Apr-Jun 2012 | 01-Jun-12 | CHINA P RP | 73049000 | CARBON SEAMLESS STEEL PIPES STOCKLOT MIX SIZE | 147.00 | 35,413 | 52,05,670 | PUC |
| Apr-Jun 2012 | 11-Jun-12 | CHINA P RP | 73049000 | 7 23# J55 BTC R2 SMLS CASING TWO NO. OF API DRIFTS SUPPLIED ALONG WITH THE CASI | 138.64 | 1,01,399 | 1,40,58,055 | PUC |
| Apr-Jun 2012 | 28-Jun-12 | THAILAND | 73045110 | BEARING QUALITY STEEL TUBE SAE-52100 AND SUJ-3 (TMB6304OR) SIZE 52.6 X5.55 MM | 136.26 | 75,517 | 1,02,89,738 | PUC |
| Apr-Jun 2012 | 26-Jun-12 | FRANCE | 73045110 | SEAMLESS STEEL TUBE (GRADE SEA1541)ASTM A519 (SIZE:92.10X7.15X4045MM)(CERT#01121 | 131.00 | 69,609 | 91,18,843 | PUC |
| Apr-Jun 2012 | 16-Jun-12 | NETHERLAND | 73069090 | MS RUSTED AND PITTED PIPES UNUSED | 131.00 | 33,681 | 44,12,148 | PUC |
| Apr-Jun 2012 | 08-Jun-12 | UKRAINE | 73049000 | SECONDARY CARBON STEEL SEAMLESS PIPES IN MIXED SIZES | 127.00 | 34,200 | 43,43,374 | PUC |
| Apr-Jun 2012 | 28-Jun-12 | CHINA P RP | 73049000 | CARBON STEEL SEAMLESS PIPES ASTM A 106 GR.B/API 5L GR.B | 127.00 | 39,918 | 50,69,570 | PUC |
| Apr-Jun 2012 | 12-Jun-12 | GERMANY | 73042990 | SEAMLESS P+ P HIGH PRESSURE STEEL TUBES (FOR CAPTIVE CONSUMPTION) | 122.02 | 44,349 | 54,11,226 | PUC |
| Apr-Jun 2012 | 14-Jun-12 | CHINA P RP | 73049000 | SEAMLESS | 121.50 | 72,993 | 88,68,613 | PUC |
| Apr-Jun 2012 | 21-Jun-12 | CHINA P RP | 73042390 | TUBING 2 7/8 OD 6.5 PPF, N-80, EUE(SUPPLY OF EUE PRODUCTION TUBINGS AND PUP JOI | 120.84 | 72,324 | 87,39,762 | PUC |
| Apr-Jun 2012 | 16-Jun-12 | NETHERLAND | 73069090 | MS RUSTED AND PITTED PIPES UNUSED | 120.00 | 33,602 | 40,32,293 | PUC |
| Apr-Jun 2012 | 28-Jun-12 | CHINA P RP | 73043119 | COLD DRAWN SEAMLESS CARBON STEEL TUBES ASTM A 106 (SIZE 48.3 X 5.08 X 5000 - 58 | 120.00 | 62,391 | 74,86,886 | PUC |

Import Data from DGCIS [All Countries PUC]

Apr 2009 to Jun 2012

| Year | Date | Country | ITC-HS | Item-Des | Quantity (MT) | Price (Rs./MT) | Value (Rs) | PUC/ NPUC |
|--------------|-----------|-------------|----------|--|---------------|----------------|-------------|--------------|
| Apr-Jun 2012 | 05-Jun-12 | CHINA P RP | 73049000 | M.S SECONDARY / DEFECTIVE SEAMLESS STEEL PIPES | 117.00 | 32,032 | 37,47,760 | PUC |
| Apr-Jun 2012 | 19-Jun-12 | CHINA P RP | 73049000 | HOT FINISHED SEAMLESS STEEL TUBE 34CRMO4 | 115.00 | 78,071 | 89,78,216 | PUC |
| Apr-Jun 2012 | 07-Jun-12 | UKRAINE | 73049000 | SECONDARY CARBON STEEL SEAMLESS PIPES IN MIXED SIZES | 113.00 | 34,478 | 38,96,052 | PUC |
| Apr-Jun 2012 | 27-Jun-12 | CHINA P RP | 73043919 | SEAMLESS STEEL PIPES (SIZE:OD43MMXID29MMX5100MM-5800MM)(EN10305-1 E235+C) | 112.00 | 64,420 | 72,15,069 | PUC |
| Apr-Jun 2012 | 12-Jun-12 | CHINA P RP | 73041910 | CARBON STEEL SEAMLESS PIPES AS PER ASTM106/API5L GRB ODM:168.3XWT:7.11MMXLENGTH | 112.00 | 52,844 | 59,18,568 | PUC |
| Apr-Jun 2012 | 11-Jun-12 | CHINA P RP | 73043119 | STEEL TUBES / PIPES (BOILER QUALITY COLD DRAWN SEAMLESS CARBON STEEL TUBES) SIZE | 109.42 | 32,066 | 35,08,692 | PUC |
| Apr-Jun 2012 | 05-Jun-12 | U S A | 73049000 | M S PIPES | 109.00 | 36,846 | 40,16,229 | PUC |
| Apr-Jun 2012 | 25-Jun-12 | U K | 73049000 | SECONDARY SECOND CHOICE CARBON STEEL SEAMLESS/WELDED PIPES | 106.00 | 31,958 | 33,87,537 | PUC |
| Apr-Jun 2012 | 01-Jun-12 | CHINA P RP | 73049000 | SECONDARY CARBON STEEL SEAMLESS PIPES MIXED SIZES | 106.00 | 31,829 | 33,73,838 | PUC |
| Apr-Jun 2012 | 12-Jun-12 | CHINA P RP | 73069090 | CARBON SEAMLESS STEEL PIPE 134MM X 4.5MM X 6000MM | 105.00 | 57,063 | 59,91,607 | PUC |
| Apr-Jun 2012 | 25-Jun-12 | U K | 73049000 | SECONDARY SECOND CHOICE CARBON STEEL SEAMLESS/WELDED PIPES | 104.00 | 31,985 | 33,26,408 | PUC |
| Apr-Jun 2012 | 05-Jun-12 | CHINA P RP | 73049000 | CARBON STEEL SEAMLESS PIPE ST 52 (SIZE : 134*4.5*5870MM) | 104.00 | 53,373 | 55,50,804 | PUC |
| Apr-Jun 2012 | 04-Jun-12 | SWEDEN | 73045110 | SECONDARY AND DFEECTIVE SEAMLESS STEEL TUBES (ALLOY STEEL) GRADE: 100 CR6 SIZE: | 103.87 | 33,128 | 34,40,801 | PUC |
| Apr-Jun 2012 | 12-Jun-12 | CHINA P RP | 73045910 | SEAMLESS TUBES FOR MANUFACTURING OF INNER RACES 63/22IR - 33.85 X 6.37 OTHER S | 103.21 | 83,172 | 85,83,980 | PUC |
| Apr-Jun 2012 | 16-Jun-12 | KUWAIT | 73069090 | M.S PIPE 4 INCH DIA | 103.00 | 33,849 | 34,86,441 | PUC |
| Apr-Jun 2012 | 22-Jun-12 | CHINA P RP | 73069090 | SECONDARY AND DEFECTIVE RUSTTED PITTED PIPE UNUSED | 103.00 | 34,330 | 35,35,977 | PUC |
| Apr-Jun 2012 | 21-Jun-12 | BELGIUM | 73049000 | M.S SEAMLESS SECONDARY/DEFECTIVE PIPES | 101.31 | 31,902 | 32,32,028 | PUC |
| Apr-Jun 2012 | 27-Jun-12 | CHINA P RP | 73049000 | NON-ALLOY STEEL SEAMLESS PIPES (CARBON STEEL) (SIZE- OD X THK X LENGTH-88.9MM X | 101.00 | 49,280 | 49,77,309 | PUC |
| Apr-Jun 2012 | 09-Jun-12 | CHINA P RP | 73049000 | SEAMLESS | 100.22 | 72,993 | 73,15,328 | PUC |
| Apr-Jun 2012 | 05-Jun-12 | CHINA P RP | 73049000 | HOT ROLLED SEAMLESS STEE | 100.00 | 74,629 | 74,62,891 | PUC |
| Apr-Jun 2012 | 27-Jun-12 | CHINA P RP | 73049000 | CARBON STEEL SEAMLESS PIPES AS PER ASTM A106 GR.B/API 5L GRBDN 40 SCH 40 | 100.00 | 66,315 | 66,31,484 | PUC |
| Apr-Jun 2012 | 28-Jun-12 | CHINA P RP | 73049000 | CARBON STEEL SEAMLESS PIPES | 100.00 | 40,170 | 40,16,973 | PUC |
| Apr-Jun 2012 | 12-Jun-12 | CHINA P RP | 73043119 | COLD DRAWN SEAMLESS CARBON STEEL TUBES ASTM A 179 (SIZE 38.1 X 3.05 X 7000) | 99.00 | 57,264 | 56,69,125 | PUC |
| Apr-Jun 2012 | 25-Jun-12 | CHINA P RP | 73043119 | CARBON STEEL SEAMLESS PIPES (4 XSCH40X5.5-5800MM) | 99.00 | 39,388 | 38,99,415 | PUC |
| Apr-Jun 2012 | 21-Jun-12 | CHINA P RP | 73049000 | CARBON STEEL SEAMLESS PIPES A106 GRADE B | 98.00 | 39,366 | 38,57,835 | PUC |
| Apr-Jun 2012 | 21-Jun-12 | KUWAIT | 73069090 | SECONDARY AND DEFECTIVE RUSTTED PITTED PIPE UNUSED | 97.00 | 33,655 | 32,64,494 | PUC |
| Apr-Jun 2012 | 07-Jun-12 | KUWAIT | 73049000 | C.S. SECONDARY DEFECTIVE SEAMLESS PIPES | 95.00 | 31,561 | 29,98,329 | PUC |
| Apr-Jun 2012 | 04-Jun-12 | CHINA P RP | 73049000 | SECONDARY DEFECTIVE M.S. SEAMLESS PIPE | 94.95 | 31,612 | 30,01,378 | PUC |
| Apr-Jun 2012 | 01-Jun-12 | CHINA P RP | 73042910 | MS PIPES 114X22(5.3MTS)/70X10(6.356MTS)/76X10(6.642)102X18(5.973)/60X10 (16.51MT | 92.61 | 36,265 | 33,58,300 | PUC |
| Apr-Jun 2012 | 19-Jun-12 | CHINA P RP | 73045110 | BEARING QUALITY STEEL TUBE SAE-52100 AND SUJ-3 (TMB6304RDIR) SIZE 30.15 X 5.4MM | 90.67 | 75,928 | 68,84,388 | PUC |
| Apr-Jun 2012 | 12-Jun-12 | CHINA P RP | 73045110 | BEARING QUALITY STEEL TUBE SAE-52100 AND SUJ-3 (TMB6304RDIR) SIZE 30.15 X 5.4MM | 90.46 | 79,585 | 71,98,949 | PUC |
| Apr-Jun 2012 | 05-Jun-12 | CHILE | 73049000 | TUBES (SA789) SIZE: 50.8 OD X 2.413 THK (AVG) X 10368 LG | 87.68 | 4,42,278 | 3,87,78,864 | PUC |
| Apr-Jun 2012 | 19-Jun-12 | U S A | 73049000 | PIPES (SA789M) SIZE: 50.8 OD X 2.413 THK (AVG) X 10368 LG | 87.68 | 4,39,116 | 3,85,01,626 | PUC |
| Apr-Jun 2012 | 20-Jun-12 | KOREA RP | 73063010 | MILD STEEL TUBE GRADE ST 52.3 DIN-2393 SIZE: 170.4 O.D X 8.1 W.T. X 4,500 [QTY 3 | 87.09 | 1,47,446 | 1,28,40,491 | PUC |
| Apr-Jun 2012 | 11-Jun-12 | CHINA P RP | 73042990 | TUBING 2 7/8 OD,6.5 PPF, N-80 EUE (S.O.NO.4050007635) (87.016 MTS) (948 PCS) (IN | 87.07 | 72,301 | 62,95,074 | PUC |
| Apr-Jun 2012 | 22-Jun-12 | CHINA P RP | 73041910 | PLAIN END SEAMLESS COUPLING STOCK OF SIZE : 3-1/2 | 86.20 | 71,339 | 61,49,286 | PUC |
| Apr-Jun 2012 | 14-Jun-12 | CHINA P RP | 73045910 | SEAMLESS TUBES FOR MANUFACTURING OF INNER BEARING RACES SP802135IR-50.40X8.61 | 84.37 | 82,875 | 69,91,873 | PUC |
| Apr-Jun 2012 | 08-Jun-12 | U K | 73049000 | CARBON STEEL SECONDARY SEAMLESS PIPES | 84.00 | 30,410 | 25,54,423 | PUC |
| Apr-Jun 2012 | 30-Jun-12 | CHINA P RP | 73043119 | COLD DRAWN SEAMLESS STEEL TUBES 50MM OD X 38MM ID X 5.5M | 84.00 | 72,286 | 60,72,060 | PUC |
| Apr-Jun 2012 | 16-Jun-12 | CHINA P RP | 98010013 | SEAMLESS CARBON STEEL TUBES TO SPEC SA106 B (S37/01/2012/GR6) | 83.00 | 85,474 | 70,94,313 | PUC |
| Apr-Jun 2012 | 07-Jun-12 | U ARAB EMTS | 73061929 | M.S.RUSTED & PITTED PIPES | 81.00 | 34,107 | 27,62,661 | PUC |

Import Data from DGCIS [All Countries PUC]

Apr 2009 to Jun 2012

| Year | Date | Country | ITC-HS | Item-Des | Quantity (MT) | Price (Rs./MT) | Value (Rs) | PUC/ NPUC |
|--------------|-----------|------------|----------|--|---------------|----------------|------------|--------------|
| Apr-Jun 2012 | 05-Jun-12 | CHINA P RP | 73043119 | SEAMLESS CARBON STEEL PIPES (ASTM A-106 GRADE : B) SIZE : 273.1 MM X 6.35 MM (5 | 81.00 | 51,005 | 41,31,409 | PUC |
| Apr-Jun 2012 | 27-Jun-12 | U K | 73049000 | SECONDARY SURPLUS CARBON STEEL SEAMLESS PIPES | 80.00 | 31,046 | 24,83,676 | PUC |
| Apr-Jun 2012 | 05-Jun-12 | U K | 73049000 | SECONDARY CARBON STEEL SEAMLESS PIPES | 80.00 | 30,789 | 24,63,131 | PUC |
| Apr-Jun 2012 | 14-Jun-12 | CHINA P RP | 73049000 | CARBON STEEL SEAMLESS PIPES | 80.00 | 40,722 | 32,57,766 | PUC |
| Apr-Jun 2012 | 19-Jun-12 | CHINA P RP | 73049000 | CARBON STEEL SEAMLESS PIPES ASTM A106/API 5L GR.B | 79.00 | 40,942 | 32,34,381 | PUC |
| Apr-Jun 2012 | 22-Jun-12 | CHINA P RP | 73045110 | BEARING QUALITY STEEL TUBE SAE-52100 (6303 MIR) SIZE 27.0 X5.3 MM | 78.11 | 71,936 | 56,18,774 | PUC |
| Apr-Jun 2012 | 07-Jun-12 | JAPAN | 73061929 | M.S.RUSTED & PITTED PIPES | 78.00 | 33,774 | 26,34,339 | PUC |
| Apr-Jun 2012 | 01-Jun-12 | CHINA P RP | 73043119 | PRIME CDS HOLLOW SEAMLESS TUBES SIZE : OD 39.9 MM X THK 5.8MM X LENGTH 4780 MM) | 78.00 | 57,936 | 45,18,996 | PUC |
| Apr-Jun 2012 | 26-Jun-12 | CHINA P RP | 73049000 | NON-ALLOY STEEL SEAMLESS PIPES (CARBON STEEL) (SIZE-OD X THKX LENGTH-88.9MM X 7. | 78.00 | 49,484 | 38,59,775 | PUC |
| Apr-Jun 2012 | 04-Jun-12 | SWEDEN | 73045110 | SECONDARY AND DFEECTIVE SEAMLESS STEEL TUBES (ALLOY STEEL) GRADE: 100 CR6 SIZE: | 77.48 | 34,538 | 26,75,805 | PUC |
| Apr-Jun 2012 | 11-Jun-12 | CHINA P RP | 73042990 | TUBING 2-7/8 OD 6.5 PPF L-80 EUE (77.309 MT) (839 PCS) (INV.NO. MUL/ONGC/7635-I | 77.35 | 74,257 | 57,43,541 | PUC |
| Apr-Jun 2012 | 11-Jun-12 | CHINA P RP | 73045910 | SEAMLESS STEEL TUBE - 6000 OR 26.90*20.35MM - SKF3S | 76.50 | 1,22,950 | 94,05,457 | PUC |
| Apr-Jun 2012 | 04-Jun-12 | CHINA P RP | 73049000 | CARBON STEEL SEAMLESS PIPES API SPEC 5L B PSL1/ASTM A 106B | 76.00 | 46,962 | 35,69,131 | PUC |
| Apr-Jun 2012 | 11-Jun-12 | CHINA P RP | 73049000 | CARBON STEEL SEAMLESS PIPE ASTM A 106 GR.B | 76.00 | 40,480 | 30,76,476 | PUC |
| Apr-Jun 2012 | 06-Jun-12 | CHINA P RP | 73043119 | CARBON STEEL SEAMLESS PIPES (152X9X5900MM) | 76.00 | 39,144 | 29,74,973 | PUC |
| Apr-Jun 2012 | 13-Jun-12 | CHINA P RP | 73043929 | CARBON STEEL SEAMLESS PIPES ASTM A106 GRADE-B IN RADOM LENGTH OF 5-7 METERS 6 | 75.00 | 46,193 | 34,64,472 | PUC |
| Apr-Jun 2012 | 29-Jun-12 | CHINA P RP | 73049000 | CARBON STEEL SEAMLESS PIPES | 75.00 | 41,266 | 30,94,987 | PUC |
| Apr-Jun 2012 | 05-Jun-12 | CHINA P RP | 73049000 | CARBON STEEL SEAMLESS PIPES | 75.00 | 39,696 | 29,77,192 | PUC |
| Apr-Jun 2012 | 19-Jun-12 | CHINA P RP | 73043939 | SEAMLESS CARBON STEEL PIPES - GRADE:API SPEC 5L B PSL 1/ASTM A106 B, SIZE: 273.1 | 73.00 | 47,881 | 34,95,325 | PUC |
| Apr-Jun 2012 | 27-Jun-12 | CHINA P RP | 73049000 | CARBON SEAMLESS STEEL PIPES STOCKLOT MIX SIZE | 73.00 | 36,059 | 26,32,332 | PUC |
| Apr-Jun 2012 | 16-Jun-12 | CHINA P RP | 73045110 | BEARING QUALITY STEEL TUBE SAE-52100 AND SUJ-3 (TMB6002IR) SIZE 21 X 3.3MM | 72.14 | 73,243 | 52,84,000 | PUC |
| Apr-Jun 2012 | 27-Jun-12 | CHINA P RP | 73049000 | CARBON SEAMLESS STEEL PIPES STOCKLOT MIX SIZE | 72.00 | 35,900 | 25,84,823 | PUC |
| Apr-Jun 2012 | 06-Jun-12 | MALAYSIA | 73043119 | CARBON STEEL SEAMLESS PIPES (45X10.5MM) | 71.00 | 38,975 | 27,67,242 | PUC |
| Apr-Jun 2012 | 20-Jun-12 | CHINA P RP | 73041990 | HOT ROLLED SEAMLESS STEEL PIPES FOR GAS CYLINDER USING RAW MATERIAL FULFILLS THE | 68.00 | 77,648 | 52,80,041 | PUC |
| Apr-Jun 2012 | 11-Jun-12 | CHINA P RP | 73045110 | BEARING QUALITY STEEL TUBE SAE-52100 AND SUJ-3 (TMB6304OR) SIZE 52.6 X 5.55MM | 67.39 | 79,474 | 53,56,087 | PUC |
| Apr-Jun 2012 | 27-Jun-12 | U S A | 73049000 | CARBON STEEL SECONDARY DEFECTIVE SEAMLESS PIPE | 66.00 | 32,792 | 21,64,282 | PUC |
| Apr-Jun 2012 | 07-Jun-12 | U S A | 73049000 | CARBON STEEL SEAMLESS PIPES STOCK LOT | 64.00 | 35,605 | 22,78,741 | PUC |
| Apr-Jun 2012 | 04-Jun-12 | ITALY | 73049000 | COLD DRAWN SEAMLESS STEEL TUBE116,00 X8,00 E355 +SR4000-5800 | 62.07 | 1,00,189 | 62,18,654 | PUC |
| Apr-Jun 2012 | 08-Jun-12 | THAILAND | 73043121 | SEAMLESS COLD DRAWN CUT TUBES (USED FOR HYDRAULIC CYLINDER COMPONENT CYLINDER) | 60.12 | 1,19,763 | 71,99,901 | PUC |
| Apr-Jun 2012 | 29-Jun-12 | CHINA P RP | 73045910 | BEARING SEAMLESS STEEL TUBE - 6000 OR - 26.9*3.3MM | 60.00 | 76,781 | 46,06,863 | PUC |
| Apr-Jun 2012 | 16-Jun-12 | CHINA P RP | 73043911 | SEAMLESS CERBON STEEL TUBES TO SPEC SA106 C | 59.00 | 68,983 | 40,70,009 | PUC |
| Apr-Jun 2012 | 09-Jun-12 | CHINA P RP | 73045110 | BEARING QUALITY STEEL TUBE SAE-52100 (6011 IR) SIZE 66.8 X 6.4MM | 58.83 | 72,808 | 42,83,140 | PUC |
| Apr-Jun 2012 | 11-Jun-12 | CHINA P RP | 73049000 | CARBON STEEL SEAMLESS PIPES ASTM A 106 GRADE B | 58.00 | 39,223 | 22,74,938 | PUC |
| Apr-Jun 2012 | 11-Jun-12 | CHINA P RP | 73042990 | TUBING 2 7/8 OD 6.5 PPF,N-80,EUE (57.955 MTS)(629 PCS) (S.O.NO.4050007635) (INVO | 57.96 | 72,306 | 41,91,192 | PUC |
| Apr-Jun 2012 | 18-Jun-12 | FRANCE | 73049000 | CARBON STEEL SEAMLESS TUBES (SA 210M) SIZE: OD 45MM X MIN. WT 6.9MM (8280.000 MT | 57.96 | 76,176 | 44,15,135 | PUC |
| Apr-Jun 2012 | 09-Jun-12 | CHINA P RP | 73045110 | BEARING QUALITY STEEL TUBE SAE 52100 (6204OR) SIZE 47.19 X 39.60MM | 57.91 | 72,786 | 42,15,350 | PUC |
| Apr-Jun 2012 | 29-Jun-12 | CHINA P RP | 73045110 | STEEL TUBE DIA 4.76 X 0.65 MM WITH COPPER COATED | 57.69 | 77,525 | 44,72,277 | PUC |
| Apr-Jun 2012 | 09-Jun-12 | INDONESIA | 73045110 | BEARING QUALITY STEEL TUBE SAE-52100 AND SUJ-3 (TMB6205MOR)SIZE 52.7 X 4.45MM | 57.38 | 96,886 | 55,58,951 | PUC |
| Apr-Jun 2012 | 15-Jun-12 | CHINA P RP | 73041910 | SEAMLESS PIPE, COLD DRAWN SEAMLESS STEEL, SPHEROID S ANNEALED TUBE - (36.20 X 2 | 57.34 | 73,433 | 42,10,926 | PUC |
| Apr-Jun 2012 | 19-Jun-12 | CHINA P RP | 73045910 | PRIME HOT FINISHED CARBON STEEL SEAMLESS PIPES GR.ASME SA106 GR B SIZE : 219.1* | 57.00 | 55,229 | 31,48,040 | PUC |
| Apr-Jun 2012 | 26-Jun-12 | CHINA P RP | 73049000 | CARBON STEEL SEAMLESS PIPES STOCK LOT | 56.00 | 36,047 | 20,18,609 | PUC |

Import Data from DGCIS [All Countries PUC]

Apr 2009 to Jun 2012

| Year | Date | Country | ITC-HS | Item-Des | Quantity (MT) | Price (Rs./MT) | Value (Rs) | PUC/ NPUC |
|--------------|-----------|-------------|----------|--|---------------|----------------|-------------|--------------|
| Apr-Jun 2012 | 13-Jun-12 | CHINA P RP | 73042990 | 3-1/2 OD L-80 9.3 PPF EUE TUBING (S.O.NO.4050007635) (55.151 MTS) (420 PCS) (IN | 55.15 | 74,075 | 40,84,963 | PUC |
| Apr-Jun 2012 | 30-Jun-12 | BAHARAIN IS | 73049000 | CARBON STEEL PIPES(SECONDARY PRODUCTS) | 55.00 | 35,217 | 19,36,927 | PUC |
| Apr-Jun 2012 | 04-Jun-12 | U ARAB EMTS | 73049000 | M.S SECONDARY & DEFECTIVE SEAMLESS PIPES | 55.00 | 31,620 | 17,39,078 | PUC |
| Apr-Jun 2012 | 27-Jun-12 | ITALY | 73043121 | SEAMLESS COLD DRAWN CUT TUBES (USED FOR HYDRAULIC CYLINDER COMPONENT CYLINDER) | 54.65 | 1,25,002 | 68,30,719 | PUC |
| Apr-Jun 2012 | 26-Jun-12 | CHINA P RP | 73041990 | SEAMLESS STEEL PIPES ASTM A 106-B/A53-B (159 X 30 MM) | 54.00 | 38,986 | 21,05,259 | PUC |
| Apr-Jun 2012 | 11-Jun-12 | CHINA P RP | 73042990 | TUBING 2 7/8 OD 6.5 PPF, N-80, EUE (S.O.NO.4050007635) (53.098 MTS) (574 PCS)(| 53.11 | 72,304 | 38,39,971 | PUC |
| Apr-Jun 2012 | 07-Jun-12 | CHINA P RP | 73041990 | HOT ROLLED SEAMLESS STEEL PIPES FOR GAS CYLINDER USING RAW MATERIAL FULFILLS THE | 53.00 | 79,651 | 42,21,486 | PUC |
| Apr-Jun 2012 | 22-Jun-12 | CHINA P RP | 73041910 | SEAMLESS STEEL PIPE S355J2H, EN10210 (133MM X 4.5MM) | 53.00 | 46,492 | 24,64,050 | PUC |
| Apr-Jun 2012 | 13-Jun-12 | CHINA P RP | 73049000 | CARBON STEEL SEAMLESS PIPES ASTM A 106-B | 53.00 | 39,401 | 20,88,230 | PUC |
| Apr-Jun 2012 | 13-Jun-12 | CHINA P RP | 73041990 | CARBON STEEL SEAMLESS MOTHER PIPES (HOT FINISH) AS PER DIN17175 ST35.8 - SIZE: O | 52.64 | 58,328 | 30,70,535 | PUC |
| Apr-Jun 2012 | 26-Jun-12 | CHINA P RP | 73069090 | M S PIPE-26.7MM X 1.4MM X 5800M | 52.19 | 52,621 | 27,46,180 | PUC |
| Apr-Jun 2012 | 29-Jun-12 | CHINA P RP | 73049000 | SEAMLESS HOT ROLLED QUALITY STEEL PIPE (SIZE:219.1 X 40) GRADE P22 (14 PCS) | 51.40 | 1,19,895 | 61,63,059 | PUC |
| Apr-Jun 2012 | 30-Jun-12 | CHINA P RP | 73041190 | CARBON STEEL MOTHER HOLLOW (ROUND SHAPE) PIPE 33.4MMX3.38MMX5-5.8 MTR | 51.15 | 47,616 | 24,35,593 | PUC |
| Apr-Jun 2012 | 30-Jun-12 | KOREA RP | 73063010 | MILD STEEL TUBE OF IRON DIN 2393C BKS GRADE ST52-3 SIZE 192.5 O.D X 8.6 W.T X 5 | 51.08 | 91,389 | 46,68,534 | PUC |
| Apr-Jun 2012 | 07-Jun-12 | U ARAB EMTS | 73061929 | M.S.RUSTED & PITTED PIPES | 51.00 | 33,934 | 17,30,652 | PUC |
| Apr-Jun 2012 | 12-Jun-12 | CHINA P RP | 73043119 | COLD DRAWN SEAMLESS CARBON STEEL TUBES ASTM A 179 (SIZE 33.4 X 4 10000 - 11800 | 51.00 | 57,222 | 29,18,339 | PUC |
| Apr-Jun 2012 | 15-Jun-12 | CHINA P RP | 73043119 | PRIME CDS HOLLOW SEAMLESS TUBES SIZE : OD 69.85 MM X THK 6 MM X LENGTH 5750 MM) | 51.00 | 54,524 | 27,80,747 | PUC |
| Apr-Jun 2012 | 11-Jun-12 | CHINA P RP | 73049000 | CARBON STEEL SEAMLESS PIPES API SPEC 5L B PSL1/ASTM A106 B | 51.00 | 48,879 | 24,92,842 | PUC |
| Apr-Jun 2012 | 09-Jun-12 | CHINA P RP | 73049000 | SEAMLESS | 50.00 | 70,549 | 35,27,425 | PUC |
| Apr-Jun 2012 | 16-Jun-12 | CHINA P RP | 73043919 | SEAMLESS STEEL TUBES(SIZE: 33.40MMX6.35MMX5100MM-5800MM)(EN 10305-1,E235+C) | 50.00 | 61,572 | 30,78,598 | PUC |
| Apr-Jun 2012 | 12-Jun-12 | CHINA P RP | 73049000 | CARBON STEEL SEAMLESS PIPE | 50.00 | 38,172 | 19,08,599 | PUC |
| Apr-Jun 2012 | 08-Jun-12 | CHINA P RP | 73045110 | COLD DRAWN CARBON STEEL SEAMLESS TUBES GR. SA210A1 OD 57.15*MM6.35*LG 11500 MM | 49.42 | 87,767 | 43,37,724 | PUC |
| Apr-Jun 2012 | 08-Jun-12 | CHINA P RP | 73041910 | CARBON STEEL SEAMLESS PIPE(O/D: 38MM, W/T: 12MM,L: 4.377M)SPEC. ASTM A 106 GRADE | 49.34 | 48,329 | 23,84,577 | PUC |
| Apr-Jun 2012 | 04-Jun-12 | BELGIUM | 73049000 | MS SEAMLESS STEEL PIPES DEFECTIVE | 49.00 | 31,651 | 15,50,912 | PUC |
| Apr-Jun 2012 | 12-Jun-12 | CHINA P RP | 73049000 | COLD DRAWN ANNEALEDSEAMLESS STEEL TUBES, LENGTH5 TO 5.8 MTR (20) 32.00 MM X 7.00 | 49.00 | 56,779 | 27,82,156 | PUC |
| Apr-Jun 2012 | 19-Jun-12 | CHINA P RP | 73045930 | PRIME HOT FINISHED CARBON STEEL SEAMLESS PIPES GR. ASME SA106 GR.B SIZE: 273 *2 | 49.00 | 50,924 | 24,95,269 | PUC |
| Apr-Jun 2012 | 12-Jun-12 | CHINA P RP | 73049000 | CARBON STEEL SEAMLESS PIPES | 49.00 | 42,358 | 20,75,538 | PUC |
| Apr-Jun 2012 | 06-Jun-12 | CHINA P RP | 73043119 | CARBON STEEL SEAMLESS PIPES (60X11MM) | 49.00 | 38,224 | 18,72,988 | PUC |
| Apr-Jun 2012 | 13-Jun-12 | CHINA P RP | 73049000 | CARBON STEEL SEAMLESS PIPES STOCK LOT | 49.00 | 35,262 | 17,27,839 | PUC |
| Apr-Jun 2012 | 11-Jun-12 | CHINA P RP | 73049000 | SECONDARY MILD STEEL SEAMLESS PIPES IN MIXED SIZES | 49.00 | 34,305 | 16,80,940 | PUC |
| Apr-Jun 2012 | 08-Jun-12 | KUWAIT | 73049000 | CARBON STEEL PIPES(SECONDARY PRODUCTS) | 48.00 | 33,396 | 16,03,019 | PUC |
| Apr-Jun 2012 | 08-Jun-12 | CHINA P RP | 73049000 | MS SECONDARY SEAMLESS TUBE | 48.00 | 31,745 | 15,23,747 | PUC |
| Apr-Jun 2012 | 18-Jun-12 | GERMANY | 73049000 | SEAMLESS STEEL TUBES (82.500X6.000X8850.00MM) | 47.70 | 99,690 | 47,55,347 | PUC |
| Apr-Jun 2012 | 19-Jun-12 | CHINA P RP | 73049000 | ALLOY STEEL PIPES : OD 16*3 | 47.56 | 1,00,131 | 47,62,042 | PUC |
| Apr-Jun 2012 | 07-Jun-12 | KUWAIT | 73049000 | C.S. SECONDARY DEFECTIVE SEAMLESS PIPES | 47.00 | 31,475 | 14,79,348 | PUC |
| Apr-Jun 2012 | 19-Jun-12 | CHINA P RP | 73041990 | HOT FINISHED CARBON STEEL SEAMLESS MOTHER PIPE GRADE DIN 17175 ST35.8 (SPECIFICA | 46.42 | 55,550 | 25,78,820 | PUC |
| Apr-Jun 2012 | 29-Jun-12 | BELGIUM | 73042990 | M.S.REJECTED PIPES | 46.00 | 33,961 | 15,62,211 | PUC |
| Apr-Jun 2012 | 06-Jun-12 | CHINA P RP | 73069090 | BEARING SEAMLESS STEEL TUBES - 6203OR - 40.8X4.41MM (COMPOSITION-C-0.95-1.05,MN- | 44.85 | 75,802 | 33,99,560 | PUC |
| Apr-Jun 2012 | 15-Jun-12 | KUWAIT | 73049000 | CARBON STEEL PIPES(SECONDARY PRODUCT) | 44.00 | 33,227 | 14,61,970 | PUC |
| Apr-Jun 2012 | 25-Jun-12 | GERMANY | 73043911 | PIPES (SA789) SIZE: 50.8 OD X 2.413 THK (AVG) X 10368 LG | 43.84 | 4,45,440 | 1,95,28,052 | PUC |
| Apr-Jun 2012 | 26-Jun-12 | U S A | 73049000 | PIPES (SA789M) SIZE: 50.8 OD X 2.413 THK (AVG) X 10368 LG | 43.84 | 4,45,440 | 1,95,28,052 | PUC |

Import Data from DGCIS [All Countries PUC]

Apr 2009 to Jun 2012

| Year | Date | Country | ITC-HS | Item-Des | Quantity (MT) | Price (Rs./MT) | Value (Rs) | PUC/ NPUC |
|--------------|-----------|-------------|----------|--|---------------|----------------|-------------|--------------|
| Apr-Jun 2012 | 05-Jun-12 | U S A | 73049000 | TUBES (SA 789) SIZE: 50.8 OD X 2.413 THK.(AVG) X 10368 LG | 43.84 | 4,42,278 | 1,93,89,432 | PUC |
| Apr-Jun 2012 | 14-Jun-12 | U S A | 73049000 | PIPES (SA789M) SIZE: 50.8 OD X 2.413 THK (AVG) X 10368 LG | 43.84 | 4,39,116 | 1,92,50,813 | PUC |
| Apr-Jun 2012 | 19-Jun-12 | JAPAN | 73049000 | SEAMLESS ALLOY STEEL TUBES JIS G3441 SCM415TK 32.8MM OD X 24.6MM ID X 5M | 43.62 | 1,87,292 | 81,70,043 | PUC |
| Apr-Jun 2012 | 29-Jun-12 | CHINA P RP | 73045120 | ALLOY STEEL SEAMLESS PIPES GRADE-P22 (C-0.10%, MN-0.45%, CR-2.25%, NI-0.05%, CU- | 43.00 | 91,292 | 39,25,574 | PUC |
| Apr-Jun 2012 | 08-Jun-12 | CHINA P RP | 73045110 | STEEL TUBE DIA 4.76 X 0.65 MM WITH COPPER COATED | 42.56 | 70,178 | 29,86,713 | PUC |
| Apr-Jun 2012 | 12-Jun-12 | CHINA P RP | 73045110 | BEARING QUALITY STEEL TUBE SAE 52100 (6205MOR) SIZE 52.20 X44.32MM | 42.30 | 75,968 | 32,13,213 | PUC |
| Apr-Jun 2012 | 04-Jun-12 | CHINA P RP | 73042990 | SEAMLESS STEEL PIPES 60.32*7.91*5000MM | 42.00 | 63,036 | 26,47,529 | PUC |
| Apr-Jun 2012 | 25-Jun-12 | CHINA P RP | 73041190 | SEAMLESS PIPES (95 X 20) | 42.00 | 56,863 | 23,88,256 | PUC |
| Apr-Jun 2012 | 08-Jun-12 | ITALY | 73063010 | MILD STEEL TUBE DOM GRADE ST52.3 SIZE: 092.22 X 077.12X5830MM [QTY 1329.24 MTR] | 41.10 | 1,86,836 | 76,78,590 | PUC |
| Apr-Jun 2012 | 14-Jun-12 | CHINA P RP | 73043119 | COLD DRAWN SEAMLESS STEEL TUBES 50MM OD X 38MM ID X 5.5M | 41.00 | 72,865 | 29,87,469 | PUC |
| Apr-Jun 2012 | 30-Jun-12 | ITALY | 73049000 | COLD DRAWN SEAMLESS STEEL TUBE130.50X7.75 E355 +4000-5800 | 40.74 | 1,04,411 | 42,53,910 | PUC |
| Apr-Jun 2012 | 21-Jun-12 | CHINA P RP | 73045110 | STEEL TUBE DIA 4.76 X 0.65 MM WITH COPPER COATED | 39.25 | 70,718 | 27,75,707 | PUC |
| Apr-Jun 2012 | 29-Jun-12 | CHINA P RP | 73049000 | CARBON STEEL SEAMLESS PIPES (SA 106) | 38.72 | 1,30,087 | 50,37,499 | PUC |
| Apr-Jun 2012 | 04-Jun-12 | CHINA P RP | 73049000 | CARBON STEEL SEAMLESS PIPES | 38.00 | 39,472 | 14,99,921 | PUC |
| Apr-Jun 2012 | 25-Jun-12 | CHINA P RP | 73043119 | SEAMLESS COLDDRAWN HONED TUBE ID40 X OD50 | 37.00 | 92,965 | 34,39,692 | PUC |
| Apr-Jun 2012 | 19-Jun-12 | CHINA P RP | 73045920 | PRIME HOT FINISHED CARBON STEEL SEAMLESS PIPES GR.ASME SA106 GR B SIZE : 168.3* | 37.00 | 51,199 | 18,94,379 | PUC |
| Apr-Jun 2012 | 12-Jun-12 | CHINA P RP | 73043119 | SEAMLESS CARBON STEEL PIPES -GRADE SA106 GRB SIZE 273.0*28.58 MM 212.81 MTRS 35 | 36.66 | 1,04,991 | 38,48,875 | PUC |
| Apr-Jun 2012 | 25-Jun-12 | CHINA P RP | 73049000 | PIPING AND ACCESSORIES | 34.03 | 8,28,068 | 2,81,75,000 | PUC |
| Apr-Jun 2012 | 14-Jun-12 | CHINA P RP | 73041910 | SEAMLESS STEEL PIPES (ASTM A106 GR.B) OD:168 MM X 7.11 MM X 5300-5800 (22 PCS) | 34.00 | 55,671 | 18,92,803 | PUC |
| Apr-Jun 2012 | 25-Jun-12 | CHINA P RP | 73049000 | CARBON STEEL SEAMLESS PIPES ASTM A 106 GR B | 32.00 | 40,213 | 12,86,814 | PUC |
| Apr-Jun 2012 | 19-Jun-12 | CHINA P RP | 73045110 | STEEL TUBE DIA 4.76, 0.55MM WITH ZINC COATED | 31.42 | 84,427 | 26,52,512 | PUC |
| Apr-Jun 2012 | 20-Jun-12 | CHINA P RP | 73041990 | HOT ROLLED SEAMLESS STEEL PIPES FOR GAS CYLINDER USING RAW MATERIAL FULFILLS THE | 31.00 | 77,864 | 24,13,799 | PUC |
| Apr-Jun 2012 | 03-Jun-12 | CHINA P RP | 73043119 | SEAMLESS COLD DRAWN TUBES GRADE SAE52100 SIZE 30.75*3.57 MM (C 1.01,SI 0.25,MN | 31.00 | 72,546 | 22,48,938 | PUC |
| Apr-Jun 2012 | 20-Jun-12 | HONG KONG | 73045110 | BEARING QUALITY STEEL TUBE SAE 52100 SIZE 38.6 * 4.0 | 29.67 | 79,714 | 23,64,963 | PUC |
| Apr-Jun 2012 | 19-Jun-12 | U S A | 73043919 | SEAMLESS LOW CARBON STEEL UOP HIGH FLUX TUBES CONF.TO SPECN.SA179 SIZE(MM) : 19. | 29.03 | 11,03,692 | 3,20,34,662 | PUC |
| Apr-Jun 2012 | 22-Jun-12 | ITALY | 73063010 | MILD STEEL TUBE GRADE ST52.3 DIN-2393 SIZE: 92.22 X 7.55 X LF5820 [QTY 1796.00 M | 28.49 | 96,696 | 27,54,868 | PUC |
| Apr-Jun 2012 | 30-Jun-12 | CHINA P RP | 73041110 | SEAMLESS STEEL TUBE , SIZE 34 X 4 MM | 28.41 | 73,194 | 20,79,508 | PUC |
| Apr-Jun 2012 | 08-Jun-12 | UKRAINE | 73049000 | SECONDARY CARBON STEEL SEAMLESS PIPES IN MIXED SIZES | 28.00 | 34,117 | 9,55,287 | PUC |
| Apr-Jun 2012 | 21-Jun-12 | CHINA P RP | 73049000 | CARBON STEEL SEAMLESS PIPES ASTM A 106 GR.B | 28.00 | 38,714 | 10,83,998 | PUC |
| Apr-Jun 2012 | 12-Jun-12 | CHINA P RP | 73049000 | SECONDARY/DEFECTIVE CARBON STEEL SEAMLESS PIPES | 28.00 | 31,088 | 8,70,452 | PUC |
| Apr-Jun 2012 | 09-Jun-12 | CHINA P RP | 73045110 | BEARING QUALITY STEEL TUBE SAE 52100 (6205MOR) SIZE 52.20 X44.32MM | 27.44 | 72,508 | 19,89,609 | PUC |
| Apr-Jun 2012 | 08-Jun-12 | U ARAB EMTS | 73049000 | CONDUIT PIPES 50MM 25MM & 20MM | 27.01 | 59,661 | 16,11,197 | PUC |
| Apr-Jun 2012 | 22-Jun-12 | U ARAB EMTS | 73061929 | M.S.RUSTED & PITTED PIPES | 27.00 | 34,444 | 9,29,978 | PUC |
| Apr-Jun 2012 | 19-Jun-12 | JAPAN | 73049000 | SECONDARY SECOND CHOICE CARBON STEEL SEAMLESS PIPE | 27.00 | 34,210 | 9,23,677 | PUC |
| Apr-Jun 2012 | 26-Jun-12 | GERMANY | 73061929 | M.S. RUSTED & PITTED PIPES | 27.00 | 33,324 | 8,99,738 | PUC |
| Apr-Jun 2012 | 11-Jun-12 | U K | 73049000 | SECONDARY/DEFECTIVE PLASTIC COATED MIXED TUBES | 27.00 | 32,117 | 8,67,151 | PUC |
| Apr-Jun 2012 | 13-Jun-12 | U S A | 73049000 | SECONDARY CARBON STEEL SEAMLESS PIPES | 27.00 | 30,413 | 8,21,153 | PUC |
| Apr-Jun 2012 | 20-Jun-12 | CHINA P RP | 73045110 | COLD ROLLED (PILGER) SEAMLESS CARBON STEEL TUBE(SIZE:88.90X5.50X6100MM)(CERT#011 | 27.00 | 59,983 | 16,19,529 | PUC |
| Apr-Jun 2012 | 26-Jun-12 | CHINA P RP | 73049000 | CARBON STEEL SEAMLESS PIPES STOCK LOT | 27.00 | 36,166 | 9,76,494 | PUC |
| Apr-Jun 2012 | 14-Jun-12 | CHINA P RP | 73049000 | SECONDARY MILD STEEL SEAMLESS PIPES MIXED LENGTHS | 27.00 | 34,824 | 9,40,250 | PUC |
| Apr-Jun 2012 | 12-Jun-12 | CHINA P RP | 73049000 | SECONDARY/DEFECTIVE CARBON STEEL SEAMLESS PIPES | 27.00 | 31,959 | 8,62,905 | PUC |

**Import Data from DGCIS [All Countries PUC]
Apr 2009 to Jun 2012**

| Year | Date | Country | ITC-HS | Item-Des | Quantity (MT) | Price (Rs./MT) | Value (Rs) | PUC/ NPUC |
|--------------|-----------|-------------|----------|--|---------------|----------------|------------|--------------|
| Apr-Jun 2012 | 04-Jun-12 | SAUDI ARAB | 73049000 | M.S.CARBON STEEL SEAMLESS PIPES | 26.00 | 40,002 | 10,40,043 | PUC |
| Apr-Jun 2012 | 21-Jun-12 | UKRAINE | 73049000 | SECONDARY CARBON STEEL SEAMLESS PIPES IN MIXED SIZES | 26.00 | 34,061 | 8,85,589 | PUC |
| Apr-Jun 2012 | 14-Jun-12 | U K | 73049000 | SECONDARY CARBON STEEL SEAMLESS PIPES | 26.00 | 31,179 | 8,10,649 | PUC |
| Apr-Jun 2012 | 14-Jun-12 | CHINA P RP | 73043939 | SEAMLESS TUBE ASTM A 106 GRB 88.9X6.0MM (32 PCS) MADE OF MS | 26.00 | 58,946 | 15,32,601 | PUC |
| Apr-Jun 2012 | 25-Jun-12 | CHINA P RP | 73049000 | CARBON STEEL SEAMLESS PIPES A 106 GRADE-B | 26.00 | 49,857 | 12,96,275 | PUC |
| Apr-Jun 2012 | 26-Jun-12 | CHINA P RP | 73049000 | CARBON STEEL SEAMLESS PIPES | 26.00 | 39,481 | 10,26,503 | PUC |
| Apr-Jun 2012 | 04-Jun-12 | CHINA P RP | 73049000 | SECONDARY/DEFECTIVE CARBON STEEL SEAMLESS PIPES | 26.00 | 31,970 | 8,31,231 | PUC |
| Apr-Jun 2012 | 19-Jun-12 | CHINA P RP | 73041990 | HOT FINISHED CARBON STEEL SEAMLESS MOTHER PIPE GRADE DIN 17175 ST35.8 (SPECIFIC | 25.80 | 55,550 | 14,33,190 | PUC |
| Apr-Jun 2012 | 07-Jun-12 | CHINA P RP | 73045120 | 73 X 48 COLD DRAWN READY TO HONE PRECISION TUBE (APTA0112111302002175) | 25.62 | 77,957 | 19,96,925 | PUC |
| Apr-Jun 2012 | 12-Jun-12 | CHINA P RP | 73043139 | HONED TUBE (OD 92 MM X ID 80 MM) | 25.57 | 60,061 | 15,36,004 | PUC |
| Apr-Jun 2012 | 01-Jun-12 | SWEDEN | 73045110 | SECONDARY AND DFEECTIVE SEAMLESS STEEL TUBES (ALLOY STEEL) GRADE: 100 CR6 SIZE: | 25.49 | 35,243 | 8,98,157 | PUC |
| Apr-Jun 2012 | 30-Jun-12 | CHINA P RP | 73041190 | SEAMLESS STEEL MS TUBE 140MMX4MM+-0.25X5-7 MTR LONG | 25.30 | 47,719 | 12,07,299 | PUC |
| Apr-Jun 2012 | 01-Jun-12 | KUWAIT | 73049000 | CARBON STEEL PIPES(SECONDARY PRODUCTS) | 25.00 | 34,325 | 8,58,115 | PUC |
| Apr-Jun 2012 | 19-Jun-12 | U ARAB EMTS | 73049000 | SECONDARY SECOND CHOICE CARBON STEEL SEAMLESS/WELDED PIPES | 25.00 | 30,867 | 7,71,664 | PUC |
| Apr-Jun 2012 | 05-Jun-12 | CHINA P RP | 73041990 | HOT ROLLED SEAMLESS STEEL PIPES FOR GAS CYLINDER USING RAW MATERIAL FULFILLS THE | 25.00 | 83,466 | 20,86,660 | PUC |
| Apr-Jun 2012 | 04-Jun-12 | CHINA P RP | 73049000 | CARBON STEEL SEAMLESS PIPES SA-179 (COLD DRAWN) 27MM OD X 2.6 MM THK X 10-11.8 M | 25.00 | 57,028 | 14,25,698 | PUC |
| Apr-Jun 2012 | 11-Jun-12 | CHINA P RP | 73049000 | CARBON STEEL SEAMLESS PIPES AS PER ASTM A106 GR.B/API 5L/A53GR.B | 25.00 | 50,135 | 12,53,372 | PUC |
| Apr-Jun 2012 | 13-Jun-12 | CHINA P RP | 73049000 | CARBON STEEL SEAMLESS PIPES ASTM A106 API 5L GR.B 8 INCHES SCH80 (219.1 MM X | 25.00 | 48,558 | 12,13,949 | PUC |
| Apr-Jun 2012 | 07-Jun-12 | CHINA P RP | 73041910 | SEAMLESS STEEL PIPE SIZE: 40 X 8.5 MM | 25.00 | 48,197 | 12,04,925 | PUC |
| Apr-Jun 2012 | 20-Jun-12 | CHINA P RP | 73063090 | MS SEAMLESS PIPE 80*48MM | 25.00 | 47,773 | 11,94,325 | PUC |
| Apr-Jun 2012 | 29-Jun-12 | JAPAN | 73049000 | SECONDARY SEAMLESS CARBON STEEL PIPES | 24.00 | 35,187 | 8,44,477 | PUC |
| Apr-Jun 2012 | 07-Jun-12 | KUWAIT | 73049000 | C.S. SECONDARY DEFECTIVE SEAMLESS PIPE FITTING | 24.00 | 35,074 | 8,41,777 | PUC |
| Apr-Jun 2012 | 07-Jun-12 | KUWAIT | 73049000 | C. S. SECONDARY DEFECTIVE SEAMLESS PIPE FITTING | 24.00 | 34,314 | 8,23,528 | PUC |
| Apr-Jun 2012 | 19-Jun-12 | CHINA P RP | 73049000 | CARBON SEAMLESS STEEL PIPE (SIZE:24 XSTD) (2 PCS) (MO 05,NI 10) | 24.00 | 54,635 | 13,11,246 | PUC |
| Apr-Jun 2012 | 29-Jun-12 | CHINA P RP | 73043129 | HYDRAULIC CYLINDER TUBE (110*95 (PI NO.HT013-120517)(FOR CAPTIVE CONSUMPTION) | 23.02 | 83,285 | 19,17,513 | PUC |
| Apr-Jun 2012 | 08-Jun-12 | SPAIN | 73049000 | A1-1-PIPES 14 THK 51.28 | 23.00 | 95,334 | 21,92,692 | PUC |
| Apr-Jun 2012 | 08-Jun-12 | CHINA P RP | 73041990 | BEARING QUALITY STEEL TUBE SIZE 36.7*6.0 (3 BUNDLES) | 22.77 | 76,844 | 17,50,044 | PUC |
| Apr-Jun 2012 | 19-Jun-12 | CHINA P RP | 73043119 | SEAMLESS STEEL TUBE 28.2*14.3*5800 MM,32*22.1*5800MM & 20*8.6*5800MM PART NO. 11 | 22.51 | 69,227 | 15,58,091 | PUC |
| Apr-Jun 2012 | 11-Jun-12 | CHINA P RP | 73043119 | SKIVED & BURNISHED TUBES (ID-125MM. X OD-140MM.) | 22.45 | 87,434 | 19,62,809 | PUC |
| Apr-Jun 2012 | 16-Jun-12 | CHINA P RP | 73045110 | BEARING QUALITY STEEL TUBE SAE-52100 (BB1103IR) SIZE 47.2 X 6.45MM | 22.40 | 70,590 | 15,81,367 | PUC |
| Apr-Jun 2012 | 23-Jun-12 | CHINA P RP | 73042990 | SEAMLESS STEEL PIPE (OD: 14.3 ID: 9) | 22.40 | 65,939 | 14,77,097 | PUC |
| Apr-Jun 2012 | 19-Jun-12 | CHINA P RP | 73043939 | SAE52100 SEAMLESS PIPE 43.4 X 6.4 (MADE OF MS) | 22.39 | 73,680 | 16,49,464 | PUC |
| Apr-Jun 2012 | 07-Jun-12 | KUWAIT | 73049000 | C.S. SECONDARY DEFECTIVE SEAMLESS PIPE FITTING | 22.00 | 35,148 | 7,73,264 | PUC |
| Apr-Jun 2012 | 19-Jun-12 | CHINA P RP | 73045920 | PRIME HOT FINISHED CARBON STEEL SEAMLESS PIPES GR. ASME SA106 GR.B SIZE: 219.1 | 22.00 | 51,279 | 11,28,147 | PUC |
| Apr-Jun 2012 | 23-Jun-12 | CHINA P RP | 73042990 | CARBON STEEL SEAMLESS PIPES API 5L / ASTM A 106 GR. B | 22.00 | 51,050 | 11,23,102 | PUC |
| Apr-Jun 2012 | 21-Jun-12 | CHINA P RP | 73042990 | CARBON STEEL SEAMLESS PIPES API 5L / ASTM A 106 GR. B | 22.00 | 39,795 | 8,75,500 | PUC |
| Apr-Jun 2012 | 12-Jun-12 | CHINA P RP | 73043919 | COLD DRAWN SEAMLESS STEEL TUBES, STRESS RELIEVED DIN2391112MM*6.5MM (FOR CAPTIV | 21.60 | 65,352 | 14,11,832 | PUC |
| Apr-Jun 2012 | 25-Jun-12 | JAPAN | 73049000 | SECONDARY/DEFECTIVE CARBON STEEL SEAMLESS PIPE | 21.00 | 33,155 | 6,96,253 | PUC |
| Apr-Jun 2012 | 07-Jun-12 | CHINA P RP | 73041990 | HOT ROLLED SEAMLESS STEEL PIPES FOR GAS CYLINDER USING RAW MATERIAL FULFILLS THE | 21.00 | 77,531 | 16,28,152 | PUC |
| Apr-Jun 2012 | 14-Jun-12 | ITALY | 73063010 | MILD STEEL TUBE GRADE ST52.3 DIN-2393 SIZE: 92.22X7.55XLF5820 [QTY 1330.00 MTR] | 20.90 | 93,046 | 19,44,664 | PUC |
| Apr-Jun 2012 | 26-Jun-12 | CHINA P RP | 73043119 | COLD DRAWN SEAMLESS STEEL TUBE 18.5 * 12.1* 5800 MM | 20.60 | 70,196 | 14,46,046 | PUC |

Import Data from DGCIS [All Countries PUC]

Apr 2009 to Jun 2012

| Year | Date | Country | ITC-HS | Item-Des | Quantity (MT) | Price (Rs./MT) | Value (Rs) | PUC/ NPUC |
|--------------|-----------|------------|----------|---|---------------|----------------|------------|--------------|
| Apr-Jun 2012 | 12-Jun-12 | CHINA P RP | 73043919 | COLD DRAWN SEAMLESS STEEL TUBES, STRESS RELIEVED DIN2391112MM*6.5MM (FOR CAPTIV | 20.23 | 72,574 | 14,68,400 | PUC |
| Apr-Jun 2012 | 27-Jun-12 | ITALY | 73049000 | SECONDARY SEAMLESS CARBON STEEL PIPES | 20.00 | 33,916 | 6,78,316 | PUC |
| Apr-Jun 2012 | 13-Jun-12 | CHINA P RP | 73043919 | SEAMLESS STEEL TUBES (SIZE : 114.30MM X 6.35MM X 5800MM)(EN10305-1 2010 E235+C) | 20.00 | 66,104 | 13,22,082 | PUC |
| Apr-Jun 2012 | 04-Jun-12 | CHINA P RP | 73049000 | CARBON STEEL SEAMLESS PIPES API SPEC 5L B PSL1/ASTM A106 B | 20.00 | 41,588 | 8,31,760 | PUC |
| Apr-Jun 2012 | 06-Jun-12 | CHINA P RP | 73045110 | SAE52100 SEAMLESS PIPE : SIZE:85X8, 60X9, 69X7.75 (OTH DTLSAS PER INV & P.LIST) | 19.80 | 74,620 | 14,77,697 | PUC |
| Apr-Jun 2012 | 16-Jun-12 | CHINA P RP | 73043929 | SKIVED AND BURNISHED TUBE 90MMX105MM(FOR CAPTIVE CONSUMPTION) | 19.69 | 89,992 | 17,71,934 | PUC |
| Apr-Jun 2012 | 30-Jun-12 | CHINA P RP | 73043119 | SKIVED & BURNISHED TUBES(ID-125MM. X OD-140MM.) | 19.30 | 90,670 | 17,50,118 | PUC |
| Apr-Jun 2012 | 05-Jun-12 | GERMANY | 73042990 | SEAMLESS P+P PRECISION STEEL TUBES (FOR CAPTIVE CONSUMPTION) | 19.26 | 61,909 | 11,92,298 | PUC |
| Apr-Jun 2012 | 11-Jun-12 | CHINA P RP | 73042990 | TUBING 2 7/8 OD,6.5 PPF, N-80,EUE (19.252 MTS) (209 PCS) (S.O.NO.4050007635)(INV | 19.26 | 72,306 | 13,92,385 | PUC |
| Apr-Jun 2012 | 01-Jun-12 | CHINA P RP | 73041910 | COLD DRAW | 19.19 | 72,175 | 13,85,192 | PUC |
| Apr-Jun 2012 | 07-Jun-12 | KUWAIT | 73049000 | C. S. SECONDARY DEFECTIVE SEAMLESS PIPE FITTING | 19.00 | 35,171 | 6,68,257 | PUC |
| Apr-Jun 2012 | 16-Jun-12 | CHINA P RP | 73045110 | BEARING QUALITY STEEL TUBE SAE-52100 AND SUJ-3 (TMB6304RDIR) SIZE 30.15 X 5.4MM | 18.45 | 96,557 | 17,81,382 | PUC |
| Apr-Jun 2012 | 12-Jun-12 | ITALY | 73049000 | COLD DRAWN SEAMLESS STEEL TUBE126,00 X8,00 E355 +SR4000-5800 | 18.33 | 1,10,344 | 20,22,382 | PUC |
| Apr-Jun 2012 | 22-Jun-12 | KOREA RP | 73063010 | MILD STEEL TUBE OF IRON DIN-2393 GRADE ST52.3 SIZE: 192.5 O.DX8.6W.TX5,120QTY 3 | 17.98 | 91,229 | 16,40,118 | PUC |
| Apr-Jun 2012 | 07-Jun-12 | KOREA RP | 73063010 | MILD STEEL TUBE OF IRON DIN-2393C BKS GRADE ST52-3 SIZE 192.5O.D. X 8.6 W.T. X 5 | 17.97 | 89,185 | 16,02,826 | PUC |
| Apr-Jun 2012 | 20-Jun-12 | GERMANY | 73042990 | SEAMLESS P+P PRECISION STEEL TUBES (FOR CAPTIVE CONSUMPTION) | 17.75 | 60,403 | 10,72,252 | PUC |
| Apr-Jun 2012 | 30-Jun-12 | CHINA P RP | 73043919 | COLD DRAWN SEAMLESS STEEL TUBES, STRESS RELIEVED DIN2391RTS125-137 137MM*124MM | 17.75 | 60,562 | 10,74,709 | PUC |
| Apr-Jun 2012 | 07-Jun-12 | KUWAIT | 73049000 | C. S. SECONDARY DEFECTIVE SEAMLESS PIPE FITTINGS | 17.00 | 33,558 | 5,70,480 | PUC |
| Apr-Jun 2012 | 12-Jun-12 | CHINA P RP | 73043129 | NON ALLOY STEEL SEAMLESS PIPES API 5L GRADE B 141.3MMX9.53MM | 17.00 | 61,264 | 10,41,492 | PUC |
| Apr-Jun 2012 | 13-Jun-12 | CHINA P RP | 73042990 | NW CASING PIPE 3 MTR LENGTH [O.D. 88.9 & I.D. 76.2][MILD STEEL] | 16.68 | 1,03,200 | 17,21,383 | PUC |
| Apr-Jun 2012 | 27-Jun-12 | ITALY | 73049000 | MECHANICAL TUBE SMLS STEEL PIPES | 16.03 | 1,52,061 | 24,38,071 | PUC |
| Apr-Jun 2012 | 15-Jun-12 | GERMANY | 73041910 | ALLOY STEEL TUBE FOR BEARINGS SUJ2Z JC OD64.70MMXWT8.50MM | 16.00 | 1,40,199 | 22,43,182 | PUC |
| Apr-Jun 2012 | 15-Jun-12 | CHINA P RP | 73043119 | SEAMLESS STEEL TUBES 20 LENGTH 5000-5800MM SIZE20.0MM X 4.40MM BK | 16.00 | 64,481 | 10,31,703 | PUC |
| Apr-Jun 2012 | 29-Jun-12 | U K | 73061919 | (UT.NOT REQUIRED AS IMPORTER IS OPERATOR) PIPE, 4IN, SMLS, BE, ASME B 36.10, AST | 15.52 | 76,125 | 11,81,180 | PUC |
| Apr-Jun 2012 | 20-Jun-12 | AUSTRIA | 73043939 | EXTENSION CASING 76,1X5,6 L=3000MM WITH 6 INJECTION HOLE PER TUBE/50CM/90(FOR RO | 15.40 | 1,42,045 | 21,87,277 | PUC |
| Apr-Jun 2012 | 26-Jun-12 | CHINA P RP | 73043129 | NON ALLOY STEEL SEAMLESS PIPES API 5L GRADE X52 PSL2168.3MMX13.5MM | 15.00 | 81,732 | 12,25,976 | PUC |
| Apr-Jun 2012 | 09-Jun-12 | CHINA P RP | 73043911 | CARBON STEEL SEAMLESS PIPE50.8X4.3X10000-12000 | 15.00 | 55,164 | 8,27,458 | PUC |
| Apr-Jun 2012 | 26-Jun-12 | CHINA P RP | 73049000 | CARBON STEEL SEAMLESS PIPES STOCK LOT | 15.00 | 36,591 | 5,48,868 | PUC |
| Apr-Jun 2012 | 12-Jun-12 | JAPAN | 73049000 | ALLOY STEEL SEAMLESS STEEL TUBES O.D.47.55MM X W/TH. 5.30MM | 14.48 | 2,88,569 | 41,79,792 | PUC |
| Apr-Jun 2012 | 20-Jun-12 | CHINA P RP | 73049000 | COLD DRAWN SEAMLESS STEEL TUBES - PIN STEEL TUBE SCM415H OD17.30 X ID 12.50MM | 14.00 | 1,45,322 | 20,34,506 | PUC |
| Apr-Jun 2012 | 16-Jun-12 | CHINA P RP | 98010013 | SEAMLESS CARBON STEEL PIPES TO SPEC SA106 C (S37/01/2012/GR6) | 14.00 | 68,873 | 9,64,221 | PUC |
| Apr-Jun 2012 | 26-Jun-12 | CHINA P RP | 73045120 | COLD DRAWN READY TO HONE PRECISION SEAMLESS TUBE (190.00X15.00X5000MM ST52.3) | 13.29 | 1,04,247 | 13,85,448 | PUC |
| Apr-Jun 2012 | 07-Jun-12 | KUWAIT | 73049000 | C. S. SECONDARY DEFECTIVE SEAMLESS PIPE FITTINGS | 13.00 | 34,259 | 4,45,367 | PUC |
| Apr-Jun 2012 | 15-Jun-12 | CHINA P RP | 73043119 | COLD DRAWN STEEL TUBE (82 X 70 MM) | 13.00 | 86,142 | 11,19,848 | PUC |
| Apr-Jun 2012 | 25-Jun-12 | CHINA P RP | 73042990 | CARBON STEEL SEAMLESS TUBES TO ASTM A106 / API 5L GR .B (SIZE 21.3 MM OD X 7.47 | 13.00 | 59,128 | 7,68,658 | PUC |
| Apr-Jun 2012 | 01-Jun-12 | JAPAN | 73049000 | COLD DRAWN SEAMLESS TUBE (PIN STEEL) ITEM NO. RGPP102818.20 (+0.08/-0) X 11.0(+/- | 12.94 | 3,59,468 | 46,52,600 | PUC |
| Apr-Jun 2012 | 05-Jun-12 | CHINA P RP | 73041990 | STEEL TUBES OF Q195 GRADE OF 15X30X1.2 (FURNITURE PARTS) | 12.56 | 40,284 | 5,05,847 | PUC |
| Apr-Jun 2012 | 01-Jun-12 | JAPAN | 73049000 | COLD DRAWN SEAMLESS TUBE (PIN STEEL) ITEM NO. RGPP101816.20 (+0.08/-0) X11.0 (| 12.48 | 3,48,889 | 43,53,086 | PUC |
| Apr-Jun 2012 | 15-Jun-12 | CHINA P RP | 73043129 | COLD DRAWN STEEL TUBE (137 X 125 MM) | 12.00 | 86,196 | 10,34,347 | PUC |
| Apr-Jun 2012 | 12-Jun-12 | CHINA P RP | 73043919 | SEAMLESS STEEL TUBES(SY2012-0228/PO1198)(CHINA GRADE 45#)(SIZE : 26MM X 3.8MM X | 11.79 | 57,027 | 6,72,343 | PUC |
| Apr-Jun 2012 | 16-Jun-12 | CHINA P RP | 73043919 | SEAMLESS STEEL TUBES (GRADE A106 GR.B)(SIZE : 34MM X 7.2MM X 5100MM - 5800MM) | 11.49 | 57,497 | 6,60,524 | PUC |

Import Data from DGCIS [All Countries PUC]

Apr 2009 to Jun 2012

| Year | Date | Country | ITC-HS | Item-Des | Quantity (MT) | Price (Rs./MT) | Value (Rs) | PUC/ NPUC |
|--------------|-----------|------------|----------|--|---------------|----------------|-------------|--------------|
| Apr-Jun 2012 | 16-Jun-12 | CHINA P RP | 73043919 | SEAMLESS STEEL TUBES (GRADE A106 GR.B)(SIZE : 34MM X 7.2MM X 5100MM - 5800MM) | 11.28 | 57,478 | 6,48,472 | PUC |
| Apr-Jun 2012 | 08-Jun-12 | CHINA P RP | 73045110 | STEEL TUBE GRADE SAE 52100 SIZED: OD 39.1 + 0.10 * ID 29.00- 0.10 (C 1.02 SI 0.1 | 11.00 | 76,582 | 8,42,407 | PUC |
| Apr-Jun 2012 | 26-Jun-12 | CHINA P RP | 73043119 | NON ALLOY STEEL SEAMLESS PIPES API 5L GRADE B 114.3MMX12.5MM | 11.00 | 65,683 | 7,22,517 | PUC |
| Apr-Jun 2012 | 12-Jun-12 | CHINA P RP | 73043919 | SEAMLESS STEEL TUBES (SY2012-0228/PO1198)(CHINA GRADE 45#) (SIZE:26MM X 5.35MM X | 10.60 | 57,027 | 6,04,481 | PUC |
| Apr-Jun 2012 | 11-Jun-12 | JAPAN | 73049000 | PINSTEEL TUBE (OD19.30MM X 11.6MM)SCM415H | 10.54 | 3,48,432 | 36,70,735 | PUC |
| Apr-Jun 2012 | 26-Jun-12 | CHINA P RP | 73042390 | 4 1/2 OD SEAMLESS CASING PIPE,API 5 CT,N 80 GRADE RANGE III, BTC CONNECTION COMP | 10.23 | 65,362 | 6,68,452 | PUC |
| Apr-Jun 2012 | 04-Jun-12 | CHINA P RP | 73049000 | CARBON STEEL SEAMLESS PIPES ASTM 106 GR.B/API 5L GR.B | 10.00 | 3,94,332 | 39,43,323 | PUC |
| Apr-Jun 2012 | 05-Jun-12 | CHINA P RP | 73049000 | PUP JOINT (API 5CT TUBING)3-1/2 9.3 # EUE PIN*BOX5FT P110 | 9.95 | 93,961 | 9,34,533 | PUC |
| Apr-Jun 2012 | 22-Jun-12 | FRANCE | 73049000 | TUBE Z6CNT18 SS HYPERTREMPE DE 28XEP1-LG LOT NO.112986 T013H2800X100/COURANTE, S | 9.95 | 1,19,268 | 11,86,122 | PUC |
| Apr-Jun 2012 | 11-Jun-12 | CHINA P RP | 73042390 | DRILL PIPE 3-1/2 S GD RH 13.3 PPF RII, 52 PCS | 9.82 | 2,26,457 | 22,22,914 | PUC |
| Apr-Jun 2012 | 16-Jun-12 | CHINA P RP | 73045110 | ALUMINIUM TUBE 7.94*0.9MM | 9.80 | 1,72,145 | 16,86,679 | PUC |
| Apr-Jun 2012 | 12-Jun-12 | GERMANY | 73043911 | SEAMLESS PIPES (A106 GR.B,CS) SIZE: 1 (C.O.: GERMANY) | 9.68 | 4,37,903 | 42,39,737 | PUC |
| Apr-Jun 2012 | 25-Jun-12 | ITALY | 73043119 | C/S PIPES SPCH SEAMLESS SA 106M/SA 106/A 106 GR.B WITH SIZERANGING FROM 15 NB TO | 9.65 | 1,82,303 | 17,59,767 | PUC |
| Apr-Jun 2012 | 27-Jun-12 | ROMANIA | 73042910 | OIL WELL EQUIPMENT: 5 -18# L80 TSH 511 TUBING PUP JOINT X 10 FT LONG [SR.NO:PJ2 | 9.06 | 5,58,055 | 50,56,969 | PUC |
| Apr-Jun 2012 | 07-Jun-12 | KUWAIT | 73049000 | C. S. SECONDARY DEFECTIVE SEAMLESS PIPE FITTINGS | 9.00 | 33,487 | 3,01,387 | PUC |
| Apr-Jun 2012 | 07-Jun-12 | KUWAIT | 73049000 | C. S. SECONDARY DEFECTIVE SEAMLESS PIPE FITTING | 9.00 | 32,860 | 2,95,741 | PUC |
| Apr-Jun 2012 | 15-Jun-12 | CHINA P RP | 73043931 | SEAMLESS CARBON STEEL PIPES TO SPEC SA106 GRC | 9.00 | 88,559 | 7,97,028 | PUC |
| Apr-Jun 2012 | 03-Jun-12 | CHINA P RP | 73043119 | SEAMLESS COLD DRAWN TUBES GRADE SAE52100 SIZE 38.85*4.75 MM (C 1.01,SI 0.25,MN | 9.00 | 73,784 | 6,64,052 | PUC |
| Apr-Jun 2012 | 12-Jun-12 | CHINA P RP | 73043119 | NON ALLOY STEEL SEAMLESS PIPES API 5L GRADE B 60.3MMX8.74MM | 9.00 | 64,986 | 5,84,878 | PUC |
| Apr-Jun 2012 | 08-Jun-12 | JAPAN | 73049000 | 8080647--- PIPE MADE OF STEEL | 8.85 | 1,13,116 | 10,00,966 | PUC |
| Apr-Jun 2012 | 15-Jun-12 | CHINA P RP | 73043119 | COLD DRAWN STEEL TUBE (82 X 70 MM) | 8.00 | 89,156 | 7,13,249 | PUC |
| Apr-Jun 2012 | 25-Jun-12 | CHINA P RP | 73042990 | CARBON STEEL SEAMLESS TUBES TO ASTM A106 / API 5L GR .B (SIZE 21.3 MM OD X 3.73 | 8.00 | 59,892 | 4,79,132 | PUC |
| Apr-Jun 2012 | 08-Jun-12 | JAPAN | 73045920 | HOT FINISHED SEAMLESS C/A STEEL PIPES ASTM/ASME A/SA106MB, PLAIN ENDS 219.1X40.0 | 7.01 | 1,07,908 | 7,56,650 | PUC |
| Apr-Jun 2012 | 07-Jun-12 | KUWAIT | 73049000 | C. S. SECONDARY DEFECTIVE SEAMLESS PIPE FITTING | 7.00 | 35,461 | 2,48,229 | PUC |
| Apr-Jun 2012 | 15-Jun-12 | CHINA P RP | 73043129 | COLD DRAWN STEEL TUBE (137 X 125 MM) | 7.00 | 88,440 | 6,19,078 | PUC |
| Apr-Jun 2012 | 16-Jun-12 | CHINA P RP | 73043921 | SEAMLESS CARBON STEEL PIPES TO SPEC SA106 C | 7.00 | 75,675 | 5,29,725 | PUC |
| Apr-Jun 2012 | 04-Jun-12 | CHINA P RP | 73049000 | ROUND STEEL SHEET (50MN2V) (1600MM DIA X 7.0MM THICK X 50MMBORE HOLE) (HARDENED, | 6.90 | 1,10,603 | 7,63,158 | PUC |
| Apr-Jun 2012 | 07-Jun-12 | MALAYSIA | 73043121 | SEAMLESS STEEL TUBE- MW450KV 575018 - DIA - 233/191X1605 | 6.70 | 3,80,364 | 25,47,897 | PUC |
| Apr-Jun 2012 | 29-Jun-12 | ITALY | 73043911 | SEAMLESS PIPES (A106 GR B) SIZE: 6 | 6.66 | 3,74,352 | 24,92,045 | PUC |
| Apr-Jun 2012 | 05-Jun-12 | JAPAN | 73049000 | COLD DRAWN SEAMLESS STEEL TUBE ITEM NO. O.D. 13.20MM X I.D.9.00MM GRADE SCM-415H | 6.14 | 4,14,534 | 25,43,578 | PUC |
| Apr-Jun 2012 | 26-Jun-12 | JAPAN | 73049000 | COLD DRAWN SEAMLESS STEEL TUBE ITEM NO. O.D. 13.20MM X I.D.9.00MM GRADE SCM-415H | 6.13 | 4,27,627 | 26,22,210 | PUC |
| Apr-Jun 2012 | 11-Jun-12 | JAPAN | 73049000 | PINSTEEL TUBE (OD20.35 MMX ID12MM) SCM415H | 5.81 | 3,69,122 | 21,43,862 | PUC |
| Apr-Jun 2012 | 05-Jun-12 | GERMANY | 73043119 | SEAMLESS COLD DRAWN SINGLE WALL STEEL TUBES | 5.80 | 3,33,618 | 19,34,315 | PUC |
| Apr-Jun 2012 | 15-Jun-12 | CHINA P RP | 73043119 | SEAMLESS ALLOY STEEL PIPES -GRADE P91 SIZE 168.3X14.27X6-6.1 M 103.4 MTRS 17 PCS | 5.61 | 2,69,362 | 15,09,776 | PUC |
| Apr-Jun 2012 | 13-Jun-12 | CHINA P RP | 73042390 | 53 PCS DRILL PIPE,2-3/8 IN OD 6.65 LBS/FT GRADE S- QTY 53 JTS . | 5.60 | 7,11,054 | 39,79,770 | PUC |
| Apr-Jun 2012 | 18-Jun-12 | CHINA P RP | 73045110 | BEARING QUALITY STEEL TUBE SAE52100:42.4*5.95MM | 5.56 | 72,215 | 4,01,226 | PUC |
| Apr-Jun 2012 | 22-Jun-12 | JAPAN | 73049000 | STKM11A E-C 38.0 X 1.6 X 3500-4000 STEEL TUBE FOR FUEL PUMP (CAPTIVE CONSUMPTI | 5.47 | 2,89,410 | 15,83,649 | PUC |
| Apr-Jun 2012 | 08-Jun-12 | CHINA P RP | 73069090 | SEAMLESS STEEL TUBE (SIZE-28*2MM) | 5.17 | 94,381 | 4,88,329 | PUC |
| Apr-Jun 2012 | 16-Jun-12 | U S A | 73049000 | HEXROD END (Q22766) (BB00000415) (1320 NUM) | 5.01 | 3,07,173 | 15,39,243 | PUC |
| Apr-Jun 2012 | 26-Jun-12 | CHINA P RP | 73049000 | COLD DRAWN SEAMLESS PIN STEEL TUBE SCM415H OD17.30MMXID12.00MM LENTH:3000MM-5000 | 5.00 | 1,43,732 | 7,18,662 | PUC |
| Apr-Jun 2012 | 20-Jun-12 | CANADA | 73044100 | SEAMLESS STEEL TUBING 1/4 AVG DOX0.35 AVG WALL : 6.35 MMAVG ODX89MM AVG WALL | 4.86 | 22,03,654 | 1,07,14,167 | PUC |

Import Data from DGCIS [All Countries PUC]

Apr 2009 to Jun 2012

| Year | Date | Country | ITC-HS | Item-Des | Quantity (MT) | Price (Rs./MT) | Value (Rs) | PUC/ NPUC |
|--------------|-----------|----------------|----------|--|---------------|----------------|------------|--------------|
| Apr-Jun 2012 | 06-Jun-12 | CHINA P RP | 73041190 | COLD FINISHED SEAMLESS HOLLOW SECTION 38.1X38.1X5.00MM | 4.59 | 1,15,553 | 5,29,818 | PUC |
| Apr-Jun 2012 | 25-Jun-12 | GERMANY | 73043919 | SEAMLESS P+P HIGH-PRESSURE STEEL TUBES OD: 6.350 MM ID : 1.800 MM [QTY 19768.60 | 4.54 | 3,74,398 | 17,00,890 | PUC |
| Apr-Jun 2012 | 25-Jun-12 | ITALY | 73043121 | COLD DRAWN SEAMLESS CYLINDER STEEL TUBES E 355 + SR EN 10305/1 READY FOR HONING | 4.50 | 1,41,007 | 6,35,096 | PUC |
| Apr-Jun 2012 | 04-Jun-12 | JAPAN | 73049000 | COLD DRAWN SEAMLESS STEEL TUBE (FOR PISTON PIN) GRADE SCM-415H (JIS G 4052) | 4.12 | 4,20,686 | 17,33,226 | PUC |
| Apr-Jun 2012 | 19-Jun-12 | CHINA P RP | 73041990 | HOT FINISHED CARBON STEEL SEAMLESS MOTHER PIPE GRADE DIN 17175 ST35.8 (SPECIFICA | 4.09 | 55,545 | 2,27,011 | PUC |
| Apr-Jun 2012 | 04-Jun-12 | JAPAN | 73049000 | COLD DRAWN SEAMLESS STEEL TUBE (FOR PISTON PIN) GRADE SCM-415H (O.D. 13.40MM | 4.01 | 3,81,682 | 15,29,781 | PUC |
| Apr-Jun 2012 | 26-Jun-12 | GERMANY | 73043129 | SEAMLESS STEEL TUBES (PO NO 120811006333 14) (1335 SETS)1092 KGS | 4.01 | 78,684 | 3,15,128 | PUC |
| Apr-Jun 2012 | 01-Jun-12 | JAPAN | 73041190 | ALLOY STEEL TUBE FOR BEARINGS - SUJ2Z RR 35.75 X 6.00 MM | 4.00 | 1,55,671 | 6,22,682 | PUC |
| Apr-Jun 2012 | 04-Jun-12 | CZECH REPUBLIC | 73049000 | SEAMLESS ALLOY PIPES (LOT 1) | 4.00 | 1,37,000 | 5,47,998 | PUC |
| Apr-Jun 2012 | 06-Jun-12 | FRANCE | 73049000 | HOT FINISHED SEAMLESS STEEL PIPES ASME SA 106 GR.C OD33.4MMX WT 9.09 MM X | 4.00 | 99,263 | 3,97,053 | PUC |
| Apr-Jun 2012 | 19-Jun-12 | ITALY | 73043939 | SEAMLESS TUBULARS(API 5L | 3.75 | 3,96,528 | 14,88,722 | PUC |
| Apr-Jun 2012 | 26-Jun-12 | CHINA P RP | 73045110 | COLD DRAWN READY TO HONE PRECISION SEAMLESS TUBE (95.00X7.50X5000MM ST52.3) | 3.73 | 1,04,247 | 3,88,843 | PUC |
| Apr-Jun 2012 | 22-Jun-12 | ROMANIA | 73049000 | OIL WELL EQUIPMENT: 2-7/8 OD 6.4# P-110 TSH511 TUBUNG PUPJOINTS X 10FT LONG SR | 3.63 | 12,53,826 | 45,49,306 | PUC |
| Apr-Jun 2012 | 06-Jun-12 | JAPAN | 73049000 | COLD DRAWN SEAMLESS STEEL TUBE ITEM NO. O.D. 17.20MM X I.D.12.00MM GRADE SCR-420 | 3.51 | 4,14,083 | 14,55,089 | PUC |
| Apr-Jun 2012 | 07-Jun-12 | FRANCE | 73049000 | PIPES - CARBON STEEL PIPE (SA 106) SIZE: OD 273 MM X WT 49.5MM | 3.28 | 1,19,428 | 3,91,147 | PUC |
| Apr-Jun 2012 | 08-Jun-12 | FRANCE | 73043129 | R900054072 CARBON STEEL TUBES SEAMLESS ACC. TO EN10210-1 SIN 273.00X32.00 IN RA | 3.20 | 2,11,248 | 6,75,359 | PUC |
| Apr-Jun 2012 | 06-Jun-12 | JAPAN | 73049000 | COLD DRAWN SEAMLESS STEEL TUBE (FOR PISTON PIN) GRADE SCM-415H (JIS G 4052) | 3.19 | 4,20,686 | 13,39,885 | PUC |
| Apr-Jun 2012 | 06-Jun-12 | CHINA P RP | 73043929 | CDS (COLD DRAWN SEAMLESS STEEL) TUBE (OD 146 X ID 95 X4454 MM) NT QTY 22.27 MTR | 3.14 | 1,21,112 | 3,80,291 | PUC |
| Apr-Jun 2012 | 23-Jun-12 | GERMANY | 73041110 | BOILER TUBES,ASTM,SMIS 60,30 MM 3,91MM P265GH GRADE B X42 X42 SCH STD API 5L ASM | 3.09 | 1,27,445 | 3,93,805 | PUC |
| Apr-Jun 2012 | 25-Jun-12 | ITALY | 73043119 | C/S PIPES SPCH SEAMLESS 24 , SCH 40. API 5L/A106/A53 GRB/X42.12 MTR/DRL. BE DETL | 3.00 | 1,90,835 | 5,73,269 | PUC |
| Apr-Jun 2012 | 23-Jun-12 | CHINA P RP | 73042990 | SUBS & CROSS OVERS (LIFT SUB WITH 3-1/2 IF PIN: 4 3/4 OD X2 ID LENGTH:36 , 18 | 3.00 | 2,44,138 | 7,32,413 | PUC |
| Apr-Jun 2012 | 26-Jun-12 | CHINA P RP | 73041990 | SECONDARY COLD AIR DUCT MADE OF MS STEEL SHEETS (EQUIPMENTS/AUXILIARIES FOR STE | 2.77 | 1,30,867 | 3,62,764 | PUC |
| Apr-Jun 2012 | 04-Jun-12 | JAPAN | 73049000 | COLD DRAWN SEAMLESS STEEL TUBE (FOR PISTON PIN) GRADE SCM-415H (O.D. 13.40MM | 2.75 | 3,81,682 | 10,48,099 | PUC |
| Apr-Jun 2012 | 02-Jun-12 | CHINA P RP | 73049000 | SEAMLESS STEEL PIPE API SPEC 5L B PSL1/ASTM A106 B168.3MMX7.11MM | 2.69 | 59,128 | 1,58,817 | PUC |
| Apr-Jun 2012 | 04-Jun-12 | GERMANY | 73049000 | STEEL TUBE 15CDVS / 1.7734.5 / 98 - 118 H-BAR SIZE 127 MM OD * 85 MM ID * 600 MM | 2.11 | 12,06,633 | 25,44,490 | PUC |
| Apr-Jun 2012 | 16-Jun-12 | SWEDEN | 73041190 | SEAMLESS PIPE IN SANDVIK GRADE SAF2507 ASTM 790 | 2.04 | 2,39,404 | 4,88,385 | PUC |
| Apr-Jun 2012 | 27-Jun-12 | CHINA P RP | 73043119 | PRIME CDS HOLLOW SEAMLESS TUBES (25.4MM X 2.4MM X 4760) | 2.00 | 63,262 | 1,26,524 | PUC |
| Apr-Jun 2012 | 04-Jun-12 | NETHERLAND | 73049000 | 331148297 TUBE STEEL 21.3 X 5 MM S355J2H | 1.94 | 5,57,990 | 10,82,632 | PUC |
| Apr-Jun 2012 | 19-Jun-12 | KOREA RP | 73044900 | COLD DRAWN STEEL BAR G 4805 JIS SUJ2, DIA : 7.40 MM X 3001MM | 1.93 | 96,102 | 1,85,284 | PUC |
| Apr-Jun 2012 | 11-Jun-12 | CHINA P RP | 73043119 | STEEL TUBES / PIPES (BOILER QUALITY COLD DRAWN SEAMLESS CARBON STEEL TUBES) SIZE | 1.84 | 1,36,568 | 2,51,695 | PUC |
| Apr-Jun 2012 | 05-Jun-12 | CHINA P RP | 73049000 | CARBON STEELSEAMLESS MOTHER PIPES (HOT FINISHED) DRILL TUBE127 MM OD,7050 MM LE | 1.80 | 1,70,356 | 3,06,641 | PUC |
| Apr-Jun 2012 | 06-Jun-12 | CHINA P RP | 73045130 | SEAMLESS PIPES GR.SS309 SIZE(MM):OD 273X20 THK | 1.50 | 2,10,658 | 3,15,558 | PUC |
| Apr-Jun 2012 | 11-Jun-12 | CZECH REPUBLIC | 73043911 | PIPES - SEAMLESS PIPE (P235TR2/EN 10216) SIZE : 42.4 X 2.6MM (C/O.: GERMANY) | 1.49 | 7,26,606 | 10,85,127 | PUC |
| Apr-Jun 2012 | 05-Jun-12 | CHINA P RP | 73044900 | ST52 HONED TUBE (109/140*5200) (1 PCS) | 1.47 | 1,03,586 | 1,51,960 | PUC |
| Apr-Jun 2012 | 27-Jun-12 | SPAIN | 73049000 | SMLS STEEL ALLOY PIPE (ASTM A333 GR.3)(219.10MM ODX18.26MM WT X8 SCH 120 CUT LENGT | 1.43 | 8,09,470 | 11,59,970 | PUC |
| Apr-Jun 2012 | 06-Jun-12 | CHINA P RP | 73045120 | SEAMLESS PIPES GR.SS309 SIZE(MM):OD 219X16 THK | 0.96 | 2,51,372 | 2,41,704 | PUC |
| Apr-Jun 2012 | 06-Jun-12 | JAPAN | 73049000 | COLD DRAWN SEAMLESS STEEL TUBE (FOR PISTON PIN) GRADE SCM-415H (JIS G 4052) | 0.93 | 4,20,686 | 3,90,817 | PUC |
| Apr-Jun 2012 | 27-Jun-12 | FRANCE | 73049000 | SEAMLESS TUBE GRADE Z6 CNT 18.10 36.32*38.10*0.89MM DMD 27645 T03810AD089CJ(TUBE | 0.91 | 16,23,458 | 14,73,581 | PUC |
| Apr-Jun 2012 | 05-Jun-12 | GERMANY | 73049000 | GRE PIPE 300 NB ORE GLASS 3 3.5M/L | 0.86 | 1,04,276 | 89,260 | PUC |
| Apr-Jun 2012 | 14-Jun-12 | CHINA P RP | 73049000 | SEAMLESS STEEL TUBE - 1 LOT | 0.85 | 1,74,231 | 1,48,096 | PUC |
| Apr-Jun 2012 | 19-Jun-12 | U S A | 73041990 | ALUMINIZED STEEL TUBING 4 OD X .058MIN X 72.875 ALUM. EDDS C-1006 OR 1008 T1-2 | 0.80 | 1,23,392 | 99,207 | PUC |

**Import Data from DGCIS [All Countries PUC]
Apr 2009 to Jun 2012**

| Year | Date | Country | ITC-HS | Item-Des | Quantity (MT) | Price (Rs./MT) | Value (Rs) | PUC/ NPUC |
|--------------|-----------|-------------|----------|--|---------------|----------------|------------|--------------|
| Apr-Jun 2012 | 07-Jun-12 | CHINA P RP | 73049000 | IRON PIPE (DIA INNER - 24CM, OUTER - 25CM, L - 2.5M) | 0.80 | 53,153 | 42,522 | PUC |
| Apr-Jun 2012 | 06-Jun-12 | CHINA P RP | 73045920 | SEAMLESS PIPES GR.SS309 SIZE(MM):OD 194X14 THK | 0.75 | 3,10,491 | 2,31,633 | PUC |
| Apr-Jun 2012 | 13-Jun-12 | U K | 73041190 | 025 SCH80S SMLS PIPE A790 S31803 | 0.70 | 2,88,373 | 2,01,861 | PUC |
| Apr-Jun 2012 | 05-Jun-12 | CHINA P RP | 73049000 | CARBON STEELSEAMLESS MOTHER PIPES (HOT FINISHED) DRILL TUBE127 MM OD,7050 MM LEN | 0.70 | 1,70,356 | 1,19,249 | PUC |
| Apr-Jun 2012 | 15-Jun-12 | GERMANY | 73041910 | CS SEAMLESS PIPES (PIPE A333 GR6 SMLS PE ASME B36.10M) | 0.69 | 5,03,124 | 3,45,143 | PUC |
| Apr-Jun 2012 | 26-Jun-12 | GERMANY | 73044900 | 1197959 CIRCULAR TUBES | 0.68 | 2,35,197 | 1,60,875 | PUC |
| Apr-Jun 2012 | 19-Jun-12 | JAPAN | 73043911 | CS SEAMLESS PIPES (API 5L GR.B X42) SIZE: 06 | 0.60 | 1,56,513 | 93,908 | PUC |
| Apr-Jun 2012 | 05-Jun-12 | U K | 73049000 | SEAMLESS CARBON STEEL TUBES 15.88MM OD X 2.77MM X 1829MM | 0.58 | 12,53,021 | 7,21,740 | PUC |
| Apr-Jun 2012 | 04-Jun-12 | NETHERLAND | 73049000 | 331148296 TUBE STEEL 30 X 2MM; HYDRAULIC STEEL GRADE | 0.55 | 4,51,214 | 2,48,098 | PUC |
| Apr-Jun 2012 | 13-Jun-12 | TAIWAN | 73049000 | HONED TUBE STKM 13C [80MM 95MM 5300MM] | 0.55 | 1,94,883 | 1,06,406 | PUC |
| Apr-Jun 2012 | 18-Jun-12 | KOREA RP | 73042990 | SEAMLESS PIPE 90-10 CUNI 10 X 4.5MM WT | 0.47 | 95,16,395 | 44,62,498 | PUC |
| Apr-Jun 2012 | 12-Jun-12 | GERMANY | 73044900 | 1259601 CIRCULAR TUBES | 0.45 | 78,036 | 34,882 | PUC |
| Apr-Jun 2012 | 05-Jun-12 | JAPAN | 73043129 | PRECISION STEEL TUBES ST52-2 (I-DIA3.0*O-DIA 6.35*THICK1.675MM (GOODS FOR CAPTIV | 0.43 | 13,68,619 | 5,85,769 | PUC |
| Apr-Jun 2012 | 26-Jun-12 | GERMANY | 73043139 | 00345480 CONNECTING CABLE 8X0,14 MM2 COLOUR:BLACK CABLE COATING : PTFE LEAD ISOL | 0.41 | 2,84,157 | 1,17,357 | PUC |
| Apr-Jun 2012 | 12-Jun-12 | GERMANY | 73043919 | (ACTUAL USER) SUCTION TUBE 4WG90/94 (4661.221.001)(600 PCS.)(TRANSMISSION PART) | 0.41 | 7,82,151 | 3,21,464 | PUC |
| Apr-Jun 2012 | 05-Jun-12 | TAIWAN | 73043119 | HONED TUBE ST 52 100MMX125MMX1140MM(SEAMLESS TUBES) | 0.40 | 1,50,033 | 60,013 | PUC |
| Apr-Jun 2012 | 21-Jun-12 | GERMANY | 73042390 | SPARE PARTS FOR GRINDING MILL JOBSITE LUMSHNONG CLAIM020 10252502 PIPE,PART NO 1 | 0.39 | 7,53,865 | 2,90,992 | PUC |
| Apr-Jun 2012 | 08-Jun-12 | CHINA P RP | 73041910 | M.S. PIPES (CORE BIT PIPES) - SIZE: 170*2.5*445, DRAWING: HMI-TB-0003, PART:216 | 0.35 | 4,73,286 | 1,65,650 | PUC |
| Apr-Jun 2012 | 25-Jun-12 | GERMANY | 73041190 | TUBE 19,05 MM X 1,65 MM-SEAMLESS-1.4404 FINETRON (1100042662 CA5405) (36 MTR) | 0.33 | 14,90,568 | 4,90,397 | PUC |
| Apr-Jun 2012 | 13-Jun-12 | FRANCE | 73042400 | STEEL TUBE 50 X7.5 MM -(P.ONO:7941F1050 DT.28.9.2011) | 0.28 | 57,48,140 | 16,27,231 | PUC |
| Apr-Jun 2012 | 14-Jun-12 | INDONESIA | 73042990 | 3-1/2 OD. L-80.9.3 PPF EUE TUBING (0.267 MT) (2 PCS) (INV.NO. MUL/ONGC/7635-IN- | 0.26 | 75,283 | 19,794 | PUC |
| Apr-Jun 2012 | 07-Jun-12 | GERMANY | 73049000 | HOT FINISHIED SEAMLESS STEEL TUBES EN 10216-2.2002 | 0.20 | 2,01,145 | 40,229 | PUC |
| Apr-Jun 2012 | 07-Jun-12 | GERMANY | 73049000 | PIPE (SEAMLESS) OTHER PIPES MADE OF STEEL | 0.20 | 1,19,515 | 23,903 | PUC |
| Apr-Jun 2012 | 25-Jun-12 | CHINA P RP | 73041990 | MC TUBE | 0.20 | 1,71,860 | 34,372 | PUC |
| Apr-Jun 2012 | 22-Jun-12 | CHINA P RP | 73041910 | PLAIN END SEAMLESS COUPLING STOCK OF SIZE : 2-7/8 OD | 0.18 | 2,67,202 | 49,041 | PUC |
| Apr-Jun 2012 | 13-Jun-12 | U ARAB EMTS | 73042200 | PIPE,3IN,SMLS, BE ASME B 36.19,SCH 80 - 1098073 (IMPORTER ISOPERATOR AND UNDERTA | 0.09 | 9,90,644 | 90,819 | PUC |
| Apr-Jun 2012 | 15-Jun-12 | GERMANY | 73042990 | 2 SCH 160 SMLS PIPE GR3 ASTM A333 DIM ANSI B36.10(SEAMLESS PIPE OF STEEL) SIZ | 0.09 | 8,45,608 | 75,206 | PUC |
| Apr-Jun 2012 | 08-Jun-12 | U S A | 73042990 | 5.75 X 6.385-TUBE-C93700 LENGHT:68 SPECIFICATION: ASTM B505-10 ALLOY C93700 (1 | 0.08 | 28,40,747 | 2,35,782 | PUC |
| Apr-Jun 2012 | 23-Jun-12 | GERMANY | 73049000 | VGMD 982-120-060 GAL. STEEL TUBING (COMPONENTS FOR CENTRALIZED LUBRICATION SYSTE | 0.08 | 1,16,718 | 9,104 | PUC |
| Apr-Jun 2012 | 15-Jun-12 | U S A | 73041990 | 05-151-06.000-04.250 TUBE, 6.00 OD X 4.25 ID ; 80-55-06 | 0.07 | 6,48,319 | 46,679 | PUC |
| Apr-Jun 2012 | 06-Jun-12 | GERMANY | 73049000 | BOILER TUBES ASTM SMLS 26.7 X 2,87MM IN R/L 5-7M | 0.03 | 1,61,329 | 5,444 | PUC |
| Apr-Jun 2012 | 06-Jun-12 | GERMANY | 73049000 | 0011428 SEAMLESS STELL TUBE 060,3X2,9-ST 35.8.8/1 | 0.02 | 1,71,554 | 2,818 | PUC |
| Apr-Jun 2012 | 06-Jun-12 | HONG KONG | 73049000 | VGMD WV-RO4X0.7VERZI STEEL TUBING (COMPONENTS FOR CENTRALIZED LUBRICATION SYSTE | 0.02 | 1,23,800 | 1,857 | PUC |
| Apr-Jun 2012 | 11-Jun-12 | SLOVENIA | 73049000 | STEEL TUBE - 4MM (PARTS FOR PLANO MILLER) | 0.01 | 3,77,300 | 3,773 | PUC |
| Apr-Jun 2012 | 18-Jun-12 | FRANCE | 73041110 | MD-06-0002 TUBE IRO 20 | 0.01 | 1,83,400 | 1,834 | PUC |
| Apr-Jun 2012 | 29-Jun-12 | BELGIUM | 73042990 | M.S.REJECTED PIPES | 0.01 | 33,800 | 338 | PUC |
| Apr-Jun 2012 | 18-Jun-12 | AUSTRIA | 73041190 | PRECISION STEEL TUBE SEAMLESS | 0.004 | 39,250 | 157 | PUC |
| Apr-Jun 2012 | 30-Jun-12 | GERMANY | 73043119 | DRILL TUBE (2 PC @ 316.37 EUR) | 0.003 | 2,93,24,333 | 87,973 | PUC |
| Apr-Jun 2012 | 08-Jun-12 | CHINA P RP | 73041910 | CLAMP BLOCK TUBE VF48208 (PO NO 1205 003) (4 PCS) | 0.002 | 24,000 | 48 | PUC |

List of known Chinese Producers / Exporters

| Sr | Name | Address |
|-----------|---|---|
| 1 | Pangang Group Chengdu Steel & Vanadium Company Limited, China | No. 268 Tuanjie South Rd., Qingbaijiang Dist.ist. 610303 Chengdu, Sichuan China |
| 2 | Xigang Seamless Steel Pipe Company Limited | 124 Tangnan Road, Wuxi City, Jiangsu Province. China, |
| 3 | Yantai Lubao Steel Pipe Co. Ltd. | No.185,Xingfu Middle Road, Yantai, China Postcode: 264002 |
| 4 | Tubos | Barrio de Sagarribai, 201470 Amurrio (Alava), Spain |

List of known Indian Importers / Users/ User Associations:

| Sr | Name | Address |
|----|---|--|
| 1 | Bharat Heavy Electricals Ltd. | BHEL House, Siri Fort, New Delhi - 110049, India |
| 2 | Indian Sugar and General Engineering corporation (ISGEC), Yamunanagar, Haryana | Radaur Road ISGEC 135001 Yamuna Nagar India |
| 3 | Walchandnagar Industries Ltd. | 3 Walchand Terraces, Tardeo Road, Mumbai - 400 034, Maharashtra, INDIA |
| 4 | Evergreen Seamless Tubes Private Ltd. | Wagholi Street, Pune, India |
| 5 | Metal & Stainless Steel Merchant's Association, Mumbai | 63, Jamnadas Building, 10th Khetwadi Lane, Opera House, Mumbai - 400004 |
| 6 | Maruti Koatsu Cylinders Ltd., Mumbai | 307, Swastik Chamber, 3rd Floor, C S T Road, Chembur, Chembur Mumbai, Maharashtra 400071 |
| 7 | PTC Alliance Precision Products (Asia) Pvt. Ltd., Chennai | 77 Chamiers Road Raja Annamalaipuram Chennai 600 028 India |
| 8 | Ratnadeep Metal & Tubes Ltd. Mehsana | Survey No. 1015/2, Village Rajpur, Mehsana Highway, Tal. Kadi Pin: 382715 |
| 9 | Tamilnadu Boilers and Components Manufacturers' and Users Association, Tiruchirapalli | d-99 developed plots estate thuvakudy trichirapalli, tamil nadu 620015, tamil nadu |
| 10 | ONGC | Tel Bhavan, Dehradun 248003, India |



ENFORCEMENT OF TRADE AGREEMENTS

Canada

[Home](#) > [Anti-dumping and countervailing](#) > [Re-investigations](#)

Notice of Conclusion of Reinvestigation

Certain Seamless Steel Casing and Oil Country Tubular Goods

Subsidy case number: 4218-23

Subsidy file number: CV/122

Subsidy case number:4218-27

Subsidy file number: CV/125

Ottawa, November 7, 2011

The Canada Border Services Agency (CBSA) has today concluded a re-investigation to update the amounts of subsidy, pursuant to the *Special Import Measures Act* (SIMA), in respect of certain seamless steel casing and certain oil country tubular goods originating in or exported from the People's Republic of China (China).

The re-investigation was initiated on June 9, 2011, as part of the ongoing enforcement of the Canadian International Trade Tribunal's findings of material injury respecting:

- a. certain seamless carbon or alloy steel oil and gas well casing originating in or exported from China issued on March 10, 2008 in Inquiry No. NQ-2007-001; and
- b. certain oil country tubular goods (OCTG) originating in or exported from China issued on March 23, 2010 in Inquiry No. NQ-2009-004.

The goods subject to the Tribunal's findings and the applicable ten-digit Harmonized System classification numbers are described in the attached appendix.

At the initiation of the re-investigation, the CBSA sent questionnaires to exporters in China and to the Government of China to request information regarding subsidies received by exporters during the period of re-investigation. Notwithstanding the fact that the Government of China did not submit sufficient information to enable the determination of the amount of subsidy in accordance with subsection 30.4(1) of SIMA, exporters that provided sufficient information to the CBSA have been issued a specific amount of subsidy determined under the ministerial specifications in accordance with subsection 30.4(2) of SIMA. The following amounts of subsidy calculated for each cooperative exporter below will apply to importations of subject goods released from the CBSA on or after November 7, 2011.

| Exporter | Amount of Subsidy RMB/MT) |
|--|---------------------------|
| Faray Petroleum Steel Pipe Co., Ltd. | 223.41 |
| Hengyang Group | 24.32 |
| HG Tubulars, Ltd | 162.32 |
| Huludao City Steel Pipe Industrial Co., Ltd. | 170.77 |

| | |
|--|--------|
| Jiangsu Changbao Precision Steel Tube Co., Ltd. | 24.25 |
| Jiangsu Changbao Steel Tube Co., Ltd. | 65.30 |
| Jiangsu Chengde Steel Share Tube Co., Ltd. | 54.51 |
| Jiangsu Valin-Xigang Special Steel Co. Ltd. | 42.05 |
| Shandong Molong Petroleum Machinery Co., Ltd. | 137.82 |
| Shengli Oil Field Freet Petroleum Equipment Co., Ltd. / Freet Petroleum Equipment Co., Ltd. of Shengli Oil Field the Thermal Recovery Equipment, Zibo Branch | 85.52 |
| Shengli Oil Field Freet Petroleum Steel Pipe Co., Ltd. | 4.13 |
| Shengli Oilfield Shengji Petroleum Equipment Co., Ltd. | 204.92 |
| Tianjin Pipe (Group) Corporation | 97.05 |
| Tianjin Seamless Pipe Plant | 252.51 |
| Tianjin Tiangang Special Petroleum Pipe Manufacture Co. Ltd. | 53.97 |

For exporters that did not provide sufficient information to the CBSA to enable the determination of the amount of subsidy, countervailing duty will be assessed at a rate of 3,381 RMB per metric tonne in the case of certain seamless steel casing and at a rate of 4,070 RMB per metric tonne in the case of certain oil country tubular goods.

All amounts of subsidy previously in place will expire on November 7, 2011.

Although the CBSA did not initiate a re-investigation of the normal values, it should be noted that the following exporters qualify for normal values, for exports of subject goods from the CBSA on or after November 7, 2011, determined using the Pipe Logix methodology set out in the ministerial specifications in accordance with section 29 of SIMA.

| Exporter |
|---|
| Dalipal Pipe Company |
| Faray Petroleum Steel Pipe Co., Ltd. |
| Hengyang Group |
| HG Tubulars, Ltd. |
| Huludao City Steel Pipe Industrial Co., Ltd. |
| Jiangsu Changbao Precision Steel Tube Co., Ltd. |
| Jiangsu Changbao Steel Tube Co., Ltd. |
| Jiangsu Chengde Steel Share Tube Co., Ltd. |
| Jiangsu Valin-Xigang Special Steel Co. Ltd. |

| |
|--|
| Shandong Molong Petroleum Machinery Co., Ltd. |
| Shengli Oil Field Freet Petroleum Equipment Co., Ltd. / Freet Petroleum Equipment Co., Ltd. of Shengli Oil Field the Thermal Recovery Equipment, Zibo Branch |
| Shengli Oil Field Freet Petroleum Steel Pipe Co., Ltd. |
| Shengli Oilfield Shengji Petroleum Equipment Co., Ltd. |
| Tianjin Pipe (Group) Corporation |
| Tianjin Seamless Pipe Plant |
| Tianjin Tiangang Special Petroleum Pipe Manufacture Co. Ltd. |
| Wuxi Seamless Oil Pipe Co., Ltd. |

Normal values for imports of subject goods from all exporters other than those listed above will be determined in accordance with the ministerial specifications by advancing the export price by 91% in the case of certain seamless steel casing and by 166.9% in the case of certain oil country tubular goods.

Case arguments were received from counsel representing the Government of China as well as from various exporters in China. A reply submission was received from counsel representing a Canadian producer. The case arguments submitted on behalf of the Government of China pertained to its cooperative status with respect to the re-investigation, the CBSA's treatment of state owned enterprises (SOE) as public bodies, and the issue of double counting when anti-dumping and countervailing duties are applied simultaneously. The case arguments submitted on behalf of the exporters pertained primarily to how the amount of subsidy received during the period of re-investigation should be calculated. The reply submission submitted on behalf of the Canadian producer pertained to all of the issues raised above. The information submitted in the case arguments and in the reply submission were given due consideration by the CBSA.

With respect to the public bodies issue, the standard used by the CBSA for treating SOEs as public bodies was set out by the *Dispute Settlement Body in Korea – Commercial Vessels*, where an entity was considered to be a public body if it was controlled by the government, and majority government ownership was a sufficient indicator of such control. This was the standard that was widely accepted and applied at the time of the CBSA's investigations and final determinations in respect of certain oil country tubular goods and certain seamless steel casing. When these determinations were made, the Appellate Body report on DS379 had not yet been issued.

Since the Appellate Body's decision in DS379, the CBSA is considering the possible implications of the decision on the treatment of SOEs. The CBSA was not in a position to make changes to its practices in this matter at the initiation of the current re-investigation.

With respect to the double counting issue, the CBSA is in the process of assessing any possible implications of the Appellate Body decision in DS379, but is, at this time, not in a position to make any further comments.

Where a producer or exporter becomes aware that there have been substantial changes to domestic prices, market conditions or costs associated with production and sales of subject goods, the CBSA should be advised in order that normal values and/or amounts of subsidy can be reviewed, and updated if required, to reflect current conditions. Similarly, the

amount of export charges to be deducted from the export price may also need revision to reflect current conditions. Where changes have occurred and the CBSA has not been advised in a timely manner, the extent of these changes could warrant retroactive assessments of anti-dumping and/or countervailing duty.

Importers are reminded that it is their responsibility to calculate and declare their anti-dumping and/or countervailing duty liability. If importers are using the services of a customs broker to clear importations, the brokerage firm should be advised that the goods are subject to anti-dumping and/or countervailing duty measures and be provided with sufficient information necessary to clear the shipments. In order to determine their anti-dumping and/or countervailing duty liability, importers should contact their suppliers who can provide information on normal values and/or amounts of subsidy (where applicable). Under limited circumstances, the CBSA may make this information available to importers. Please refer to Memorandum D14-1-2, *Disclosure of Normal Values, Export Prices, and Amounts of Subsidy established under the Special Import Measures Act to Importers*, for more information. The *Customs Act* applies, with any modifications that the circumstances require, with respect to the accounting and payment of anti-dumping and/or countervailing duties. As such, failure to pay duties within the prescribed time will result in the application of the interest provisions of the Act.

Should the importer disagree with the determination made on any importation of goods, a request for re-determination may be filed with the Director General, Anti-dumping and Countervailing Directorate, Ottawa, ON, K1A 0L8. Such a request must be received within 90 days from the making of the determination, in the form and manner outlined in Memorandum D14-1-3, *Procedures for Making a Request for a Re-determination (an Appeal) of Goods Under the Special Import Measures Act*.

Any questions concerning the above should be directed to:

Mail:

SIMA Registry and Disclosure Unit
Anti-dumping and Countervailing Directorate
Canada Border Services Agency
100 Metcalfe Street, 11th Floor
Ottawa, Ontario K1A 0L8
CANADA

Telephone:

Simon Duval 613-948-6464
Sanjivan Sandhu 613-946-4857

Fax:

613-948-4844

E-mail:

simaregistry-depotlmsi@cbsa-asfc.gc.ca

Website:

<http://www.cbsa-asfc.gc.ca/sima-lmsi/menu-eng.html>

APPENDIX

Seamless Casing

Product Definition

Seamless carbon or alloy steel oil and gas well casing, whether plain end, bevelled, threaded or threaded and coupled, heat-treated or non-heat-treated, meeting American Petroleum Institute (API) specification 5CT, with an outside diameter not exceeding 11.75 inches (298.5 mm), in all grades, including proprietary grades, originating in or exported from the People's Republic of China.

The subject goods are normally classified under the following Harmonized System classification numbers:

7304.29.00.11
7304.29.00.19
7304.29.00.21
7304.29.00.29

Oil Country Tubular Goods (OCTG)

Product Definition

Oil country tubular goods made of carbon or alloy steel, welded or seamless, heat-treated or not heat-treated, regardless of end finish, having an outside diameter from 2 7/8 inches (60.3 mm to 339.7 mm), meeting or supplied to meet American Petroleum Institute specification 5CT or equivalent standard, in all grades, excluding drill pipe and excluding seamless casing up to 11 3/4 inches (298.5 mm) in outside diameter, originating in or exported from the People's Republic of China

Excluding:

- a. Pup-joints, welded or seamless, heat-treated or not heat-treated, in lengths of up to 3.66m (12 feet); and
- b. Coupling stock.

Additional Product Information

The product definition includes certain casing and tubing products for use in the production of oil country tubular goods (green tubes) and non-prime and secondary pipes (limited service products).

The subject goods are normally classified under the following Harmonized System classification numbers:

| | |
|---------------|---------------|
| 7304.29.00.31 | 7304.59.10.00 |
| 7304.29.00.39 | 7306.29.10.11 |
| 7304.29.00.51 | 7306.29.10.19 |
| 7304.29.00.59 | 7306.29.10.21 |
| 7304.29.00.61 | 7306.29.10.29 |
| 7304.29.00.69 | 7306.29.10.31 |
| 7304.29.00.71 | 7306.29.10.39 |

7304.29.00.79

7306.29.10.41

7306.29.90.49

7304.39.10.00

7306.29.10.49

Date Modified: 2011-11-16

COUNCIL REGULATION (EC) No 926/2009

of 24 September 2009

imposing a definitive anti-dumping duty and collecting definitively the provisional duty imposed on imports of certain seamless pipes and tubes of iron or steel originating in the People's Republic of China

THE COUNCIL OF THE EUROPEAN UNION,

Having regard to the Treaty establishing the European Community,

Having regard to Council Regulation (EC) No 384/96 of 22 December 1995 on protection against dumped imports from countries not members of the European Community⁽¹⁾ (the basic Regulation) and in particular Articles 9 and 10 thereof,

Having regard to the proposal submitted by the Commission after consulting the Advisory Committee,

Whereas:

A. PROCEDURE

1. Provisional measures

- (1) On 9 July 2008, the Commission published a notice⁽²⁾ initiating an anti-dumping proceeding on imports into the Community of certain seamless pipes and tubes of iron or steel originating in the People's Republic of China (the PRC). On 8 April 2009, the Commission, by Regulation (EC) No 289/2009⁽³⁾ (the provisional Regulation) imposed a provisional anti-dumping duty on imports of certain seamless pipes and tubes of iron or steel originating in the PRC.
- (2) The proceeding was initiated following a complaint lodged by the Defence Committee of the Seamless Steel Tube Industry of the European Union (the complainant) on behalf of producers representing a major proportion, in this case more than 50 %, of the total Community production of certain seamless pipes and tubes of iron or steel.
- (3) As set out in recital 13 of the provisional Regulation, the investigation of dumping and injury covered the period from 1 July 2007 to 30 June 2008 ('investigation period'

or 'IP'). The examination of trends relevant for the assessment of injury covered the period from 1 January 2005 to the end of the IP (period considered).

2. Subsequent procedure

- (4) Subsequent to the disclosure of the essential facts and considerations on the basis of which it was decided to impose provisional anti-dumping measures (provisional disclosure), several interested parties made written submissions making their views known on the provisional findings. The parties who so requested were also granted the opportunity to be heard.
- (5) The Commission continued to seek and verify all information it deemed necessary for its definitive findings. In particular, the Commission sent an additional questionnaire to the sampled Community producers to collect further information concerning the market developments and the evolution of the main injury indicators after the end of the IP. Additional verification visits were carried out after the imposition of the provisional measures at the premises of the following producers of certain seamless pipes and tubes in the EU:
 - Vallourec & Mannesmann Deutschland GmbH, Düsseldorf, Germany,
 - Vallourec & Mannesmann France, Boulogne-Billancourt, France,
 - Tenaris-Dalmine SpA, Dalmine, Italy,
 - Tubos Reunidos SA, Amurrio, Spain,
 - Productos Tubulares SA, Valle de Trapaga, Spain,

— in addition, a verification visit was carried out at the premises of the complainant at Boulogne-Billancourt, France.

⁽¹⁾ OJ L 56, 6.3.1996, p. 1.

⁽²⁾ OJ C 174, 9.7.2008, p. 7.

⁽³⁾ OJ L 94, 8.4.2009, p. 48.

(6) The Commission also conducted a further desk analysis of the questionnaire replies of all four sampled exporting producers, including in particular the verification of the transaction listing provided by the following exporters:

— Hubei Xinyegang Steel Co., Ltd,

— Hengyang Valin Steel Tube Co., Ltd,

— Shandong Luxing Steel Pipe Co. Ltd,

— Tianjin Pipe International Economic & Trading Corporation.

(7) All parties were informed of the essential facts and considerations on the basis of which it was intended to recommend the imposition of a definitive anti-dumping duty on imports of certain seamless pipes and tubes of iron or steel originating in the PRC and the definitive collection of the amounts secured by way of the provisional duty (final disclosure). They were also granted a period within which they could make representations subsequent to this disclosure.

(8) The oral and written comments submitted by the interested parties were considered and, where appropriate, the findings were modified accordingly.

3. Sampling

(9) In the absence of any comments concerning the sampling of exporting producers in the PRC and of Community producers, the provisional findings in recitals 11 to 12 of the provisional Regulation are hereby confirmed.

B. PRODUCT CONCERNED AND LIKE PRODUCT

(10) The product concerned is certain seamless pipes and tubes, of iron or steel, of circular cross section, of an external diameter not exceeding 406,4 mm with a

Carbon Equivalent Value (CEV) not exceeding 0,86 according to the International Institute of Welding (IIW) formula and chemical analysis⁽¹⁾, originating in the PRC (the product concerned) and currently falling within CN codes ex 7304 19 10, ex 7304 19 30, ex 7304 23 00, ex 7304 29 10, ex 7304 29 30, ex 7304 31 20, ex 7304 31 80, ex 7304 39 10, ex 7304 39 52, ex 7304 39 58, ex 7304 39 92, ex 7304 39 93, ex 7304 51 81, ex 7304 51 89, ex 7304 59 10, ex 7304 59 92 and ex 7304 59 93⁽²⁾.

(11) After the publication of the provisional Regulation, a clerical mistake was found in the numbering of the Technical Report mentioned in the footnote of recital 14 of the provisional Regulation for the determination of the Carbon Equivalent Value (CEV). The correct reference is Technical Report, 1967, IIW doc. IX-555-67 published by the International Institute of Welding (IIW).

(12) After provisional disclosure, the China Iron and Steel Association (CISA) claimed that the CN codes covering the product concerned were also covering a number of other products which would fall outside the scope of the investigation such as products with an outside diameter exceeding 406,4 mm or with a CEV exceeding 0,86 and, as a consequence, the import figures used in the investigation would be overstated. In this respect, it has to be noted that products with an outside diameter exceeding 406,4 mm or with a CEV exceeding 0,86 according to the IIW formula and chemical analysis are not concerned by these proceedings. Furthermore, no evidence was found at any of the sampled exporting producers that these products are produced in the PRC in significant quantities. Therefore, it has been concluded that there is no credible evidence regarding the import of any significant quantities of such Chinese products into the EC.

(13) Following the final disclosure, CISA reiterated the claim that oil country tubular goods (OCTG) should be excluded from the definition of the product concerned and pointed out that other countries, including the USA, treat OCTG as belonging to a separate market for the purpose of anti-dumping investigations. Similar claims were also made by the Chinese government (Mofcom).

⁽¹⁾ The CEV shall be determined in accordance with Technical Report, 1967, IIW doc. IX-555-67, published by the International Institute of Welding (IIW).

⁽²⁾ As defined in Commission Regulation (EC) No 1031/2008 of 19 September 2008 amending Annex I to Council Regulation (EEC) No 2658/87 on the tariff and statistical nomenclature and on the Common Customs Tariff (OJ L 291, 31.10.2008, p. 1). The product coverage is determined in combining the product description in Article 1(1) and the product description of the corresponding CN codes taken together.

(14) The abovementioned claims have been analysed in detail and it has been found that the different types of seamless pipes and tubes, including OCTG, included in the product definition share the same basic physical, chemical and technical characteristics, which means that they belong to the same product category. The fact that these different product types differ to a certain extent in their characteristics, cost and selling prices is normal. Moreover, the fact that other investigating authorities carry out investigations into OCTG only may well be due to the particularities of such investigations, i.e. the scope of the underlying complaint. Indeed, it was found that the US authorities did not have to investigate whether OCTG share the same basic characteristics as other seamless pipes and tubes. Furthermore, the Community industry provided evidence of the interchangeability between plain-end OCTG and other products subject to the investigation.

(15) It was also argued that in defining the product concerned undue importance was given to elements such as the wall thickness, external diameter, and CEV threshold, whilst no proper attention had been paid to technical properties such as high pressure and high corrosion resistance and to the existence of special American Petroleum Institute (API) standards for OCTG.

(16) First of all, it must be noted that since the wall thickness is not used in the definition of the scope of the investigation, the external diameter and the CEV threshold remain the most appropriate elements to identify the product concerned. The external diameter is also an element used in distinguishing the product for statistical and customs purposes. As regards the CEV threshold, it defines the level at which a product can be welded and the threshold is set at 0,86 in order to separate products which can easily be welded from those which can not. Secondly, information provided by the Community industry shows that OCTG, as other types of tubes, may have both high and low corrosion/pressure resistance. Thus neither the corrosion nor the pressure resistance could be used as a criterion in defining the product concerned. Thirdly, the special API standards exist as regards OCTG and line pipes because they are used in the petroleum sector. However, tubes used in other sectors are also subject to similar standards, although issued by other organisations (e.g. ASTM). As a result, the fact that standards are issued by one or the other organisation cannot be an element to define the product scope of an anti-dumping investigation. In conclusion, neither CISA nor Mofcom has submitted valid alternative elements to better define the product scope, nor have they ever proposed criteria that would be more appropriate to define the product concerned,

apart from the high corrosion/pressure resistance mentioned above. In addition, neither party proposed a different CEV level as a more appropriate threshold. Therefore, the claims on the definition of the product concerned are rejected.

(17) In view of the above, it is definitively concluded that the product concerned incorporates, inter alia, OCTG used for drilling, casing and tubing in the oil industry, and recitals 14 to 19 of the provisional Regulation are hereby definitively confirmed.

C. DUMPING

1. Market economy treatment (MET)

(18) In the absence of any comments, the content of recitals 20 to 27 of the provisional Regulation concerning MET findings is hereby definitively confirmed.

2. Individual treatment (IT)

(19) Further to provisional disclosure, the complainant claimed that one exporting producer provisionally granted IT should not have received IT, as among other things, it was allegedly majority state owned.

(20) Further investigation showed that the Chinese state did (indirectly) have some stake in the said company, but during the IP the state was a minority shareholder. However, the shareholding changed significantly at the end of 2008 (post-IP) when the Chinese state acquired more shares of the holding company and the state thus became a majority shareholder. Consequently, the Commission considered that the exporting producer in question would not fulfil the requirements of Article 9(5) of the basic Regulation and should not be granted IT.

(21) Following the final disclosure, the said company reiterated its argument that the increased shareholding of the Chinese state occurred after the IP. Moreover, the company argued that the increase in shareholding was clearly and solely intended to provide financial support to the holding company because of the financial crisis. In particular, the said company claimed that the increased shareholding had no impact on the management structure, the composition of the Board of Directors and the commercial activities. It also claimed that the change in shareholding had no effect on the company's decisions regarding export activities that remain to be made independently from the state. The company also submitted that no evidence has been shown that in this case state influence would be such as to permit circumvention of measures if the company would be given an individual rate of duty.

(22) In order to be granted IT, exporting producers must demonstrate that they fulfil all the criteria enumerated in Article 9(5) of the basic Regulation. One of these criteria is that the majority of shares belong to private persons. However, as regards the said company, this criterion has not been met since the end of 2008.

(23) Consequently, despite the fact that the change of ownership happened only after the IP (but still before the conclusion of the investigation) and considering the prospective nature of the findings with regard to IT, it is concluded that this company should not be granted IT, as it did not fulfil the requirements of Article 9(5) of the basic Regulation.

(24) In the absence of any other comments concerning IT, the content of recitals 28 to 32 of the provisional Regulation, other than those concerning the company mentioned in recitals 19 to 23 above, is hereby definitively confirmed.

3. Normal value

3.1. Analogue country

(25) Following the provisional disclosure, three parties submitted that the USA was not an appropriate analogue country since the market conditions in the USA and in the PRC are significantly different. It was also submitted that the normal value calculation was based on the data of only one producer, related to a producer in the Community, and thus were not representative.

(26) It is noted that the basic Regulation requires that the analogue country be selected in a not unreasonable manner. The parties mentioned above failed to provide substantiated evidence that the choice of the USA was unreasonable. In particular, they did not question the competitiveness of the US market, the lack of which for example could have an impact on the level of prices established. It is also noted that none of the parties in question suggested any alternative choice for the analogue country.

(27) In view of the above, it is definitively concluded that the USA is an appropriate analogue country and recitals 33 to 38 of the provisional Regulation are hereby confirmed.

3.2. Determination of normal value

(28) In the absence of any comments concerning the determination of normal value, the provisional findings in recitals 39 to 44 of the provisional Regulation are hereby confirmed.

4. Export Price

(29) In the absence of any comments concerning the determination of export price, the content of recital 45 of the provisional Regulation is hereby confirmed.

5. Comparison

(30) Following provisional disclosure, one exporting producer pointed out that the simplification applied to the product control number (in order to increase the level of comparability between the product concerned and the like product from the analogue country) resulted in an unfair comparison as it treated several types of the seamless pipes and tubes as one product category. Following this comment, it was decided that a different regrouping of the product control numbers that would allow for a similar level of comparability can be applied — namely with regard to pipe diameter and wall thickness.

(31) Following provisional disclosure, Chinese export prices at ex-works level have been revised downwards in order to take into account all transport costs. At the same time, normal value was revised upwards due to some corrections concerning allowances for transport and discounts.

(32) In the absence of any other comments in respect of comparison, the content of recitals 46 and 47 of the provisional Regulation is hereby confirmed.

6. Dumping margin

(33) In the absence of any comments concerning the dumping margin calculation, and subject to the changes mentioned at recitals 30 and 31, the content of recitals 48 to 51 of the provisional Regulation is hereby confirmed.

(34) The amount of dumping finally determined, expressed as a percentage of the cif net free-at-Community-frontier price, before duty, is as follows:

| Company | Definitive dumping margin |
|------------------------------------|---------------------------|
| Shandong Luxing Steel Pipe Co. Ltd | 64,8 % |
| Other cooperating companies | 48,6 % |
| Residual | 73,1 % |

D. INJURY**1. Community production, Community industry and Community consumption**

(35) CISA claimed that, according to information released by a specialised agency (Steel Business Briefing), there were at least 40 Community producers in 2007 of the like product in the EU-27 with a production of around 5,8 million tonnes and this would contradict the relevant data contained in the provisional Regulation. CISA also claimed that, according to information released by the World Steel Association, Community consumption was of around 4,6 million tonnes in 2007, i.e. far higher than what was reported in recital 57 of the provisional Regulation. A Chinese exporting producer also made similar claims.

(36) The examination of the information provided showed that the figures reported refer to all seamless pipes and tubes and not to the like product as defined in the provisional Regulation and in recitals 10 to 17 above, and include other products such as large pipes and tubes (i.e. with a diameter exceeding 406,4 mm) and stainless steel pipes and tubes. This explains the discrepancy between the information mentioned in recital 35 above and that contained in the provisional Regulation. It should also be noted that names and locations of all known Community producers of the product concerned were contained in the non-confidential version of the complaint. If CISA had considered that there were any other producers of the product concerned in the EU, it should have provided in due course sufficient evidence to identify them, so that any such company would also have been considered.

(37) The claims mentioned above are therefore dismissed and the content of recitals 53 to 58 of the provisional Regulation is hereby confirmed.

2. Imports from the country concerned**(a) Volume, market share of the imports concerned and import prices**

(38) Following comments submitted by CISA, it is clarified that recital 60 of the provisional Regulation should be intended as meaning that the OCTG and power generation market segments each represented less than 5 % of total imports from the PRC. In the absence of any claims or other comments, recitals 59 to 63 of the provisional Regulation are hereby confirmed.

(b) Price undercutting

(39) An exporting producer, three Community producers and the complainant submitted comments relating to the calculation of the undercutting and injury margins. These comments were analysed and, where appropriate, the calculations were amended.

(40) One exporting producer claimed that the adjustments made to compare on a fair basis the prices of the Chinese imports and the prices of the corresponding product types sold by the Community industry were not adequate, since they did not include an amount for the selling, general and administrative expenses (SG&A) and profit of an independent importer. On the contrary, the complainant claimed that the level of these adjustments was excessively high. As for the claim of the exporting producer, it was found that often Chinese exporting producers and Community producers were selling to the same customers. Thus, a further adjustment to import prices was not justified. After examination of the evidence provided, it was concluded that the claims should be dismissed and the two parties were informed of the reasons therefor.

(41) The complainant claimed that the calculation of the differences in level of trade was incorrect since Chinese exporting producers also directly sold to users and that for such sales no level of trade adjustment is warranted. This claim was found to be correct for some Chinese exporting producers and the level of trade adjustment was accordingly revised. Furthermore, the exporting producer mentioned in recital 40 above argued that, because of significant differences in sales volumes between its own imports and the sales of the Community industry, the difference in level of trade should not be established by simply comparing the respective percentage of sales to users and suggested another formula for the calculation of the revised level of trade adjustment. However, the suggested formula was not considered appropriate since it would distort the result. Therefore, the claim was rejected.

(42) On the basis of the above, the methodology described in recital 64 of the provisional Regulation is hereby confirmed and the undercutting margin calculated as explained in recital 65 of the provisional Regulation is established at 29 %.

3. Situation of the Community industry

(43) CISA claimed that a number of sampled Community producers had not submitted completed replies, so that the representativeness of the sample would be impaired because of the low level of cooperation. It should be pointed out that, apart from the company indicated at point (ii) of recital 66 of the provisional Regulation, which only submitted partial information, all other companies in the sample have provided by the definitive stage of the investigation all the information requested. Even when excluding the sole company that had only provided partial information, the representativeness of the sample would in any case remain at about 60 % of the total Community production. The claim was therefore rejected.

- (44) CISA also claimed that, contrary to what is stated in recital 86 of the provisional Regulation, one major Community producer group had made, after the IP, substantial investments in expanding its production capacity for tubes in the nuclear power sector. This information was verified and it was found that the abovementioned investments were made in order to increase the production capacity for other products (stainless steel or welded pipes and tubes) than the like product. The claim was therefore rejected.
- (45) CISA and a Chinese exporting producer claimed that recital 87 of the provisional Regulation was incorrect in saying that the Community industry was still recovering from the past effect of dumping since there were at least three Romanian companies supporting the complaint, which were until mid 2006 themselves subject to anti-dumping measures. However, the statements in recital 87 clearly refer to the Community industry considered as a whole and not to individual companies. It is therefore normal that the situation of individual companies may differ one from another, without the general finding for the Community industry being put in question. The claim was therefore rejected.
- (46) In the absence of any other claims or comments, recitals 66 to 87 of the provisional Regulation are hereby confirmed.

4. Conclusion on injury

- (47) Mofcom, CISA and two Chinese exporting producers claimed that the Community industry was not in a vulnerable state at the end of the investigation period, particularly in view of its recent high levels of profit. The reasons why the Community industry was considered to be in a vulnerable situation at the end of the IP are detailed in recital 89 of the provisional Regulation. It was recognised therein that the injury suffered during the IP was not material, but it was also explained that, given the important share of dumped imports in the Community market, the Community industry was exposed to the injurious effects of such dumped imports, in case of significant changes in the overall market situation. In this respect, it should be borne in mind that the Community industry could benefit only partially from the substantial increase in consumption and that its market share had declined by five percentage points during the period considered, as indicated in recital 88 of the provisional Regulation. Moreover, the fact that an industry experiences good levels of profit during an exceptionally favourable period of very high market demand does not necessarily imply that it is structurally in a solid economic and financial situation, particularly if during previous periods the same industry was posting extremely low profits or even losses. As already mentioned in recital 86 of the provisional Regulation, the past poor economic performance caused by the existence of dumping practices had made it

impossible to maintain the level of investments appropriate to ensure the viability of the Community industry in the long term in such a highly capital intensive manufacturing sector. Finally, the EC market was again characterised at the end of the IP by the presence of a significant proportion of very low-priced dumped imports. This market situation was potentially very dangerous since already in past years, at times when the level of demand was at normal levels, a similar market situation (which was analysed in Council Regulation (EC) No 954/2006 ⁽¹⁾) had caused significant injury to the Community industry. The claim is therefore rejected.

- (48) One Chinese exporting producer also claimed that recital 89 of the provisional Regulation did not show that the change in market situations referred to therein was 'clearly foreseen and imminent', as requested by the WTO Anti-dumping Agreement (ADA). A change in the market situation was foreseeable because consumption cannot normally remain at exceptionally high levels for a long period. The analysis carried out in recitals 90 to 126 of the provisional Regulation shows a clear deterioration which in fact took place over a certain period of time. The fact that a certain period of time is necessary for a number of elements and indicators to evolve from positive to negative values is not inconsistent with the fact that, in the light of existing trends, such negative effects are already clearly foreseeable. At the end of the IP, the threat of injury was clearly foreseeable, and the starting of the negative trends which would lead to an injurious picture was imminent, since a certain slow down in demand had already taken place in the last months of the IP. The claim was therefore rejected.
- (49) In the absence of any other claim or comments, the conclusion on injury laid down in recitals 88 and 89 of the provisional Regulation is confirmed.

E. THREAT OF INJURY

1. Likely developments of Community consumption, imports from the country concerned and the situation of the Community industry after the investigation period

1.1. Analysis carried out after provisional measures

- (50) As mentioned in recital 5 above, an additional questionnaire was sent to sampled Community producers and to the complainant in order to obtain further information on the market developments and the evolution of the main injury indicators until March 2009. Latest import data available from Eurostat have also been carefully analysed. For the sake of completeness the figures relating to the period between the end of the IP and March 2009 (the post-IP period) are reported below. Since these figures relate to a period of 9 months only, no index is given for volumes.

⁽¹⁾ OJ L 175, 29.6.2006, p. 4.

- (51) After the IP, the Community consumption started to decrease substantially and at a faster pace than what was indicated in recital 91 of the provisional Regulation. In fact, the Community market has already contracted by almost 30 % ⁽¹⁾ in the period between the end of the IP and March 2009.

| | 2005 | 2006 | 2007 | IP | Post-IP period |
|-----------------------|-----------|-----------|-----------|-----------|----------------|
| Community Consumption | 2 565 285 | 2 706 560 | 3 150 729 | 3 172 866 | 1 720 968 |

- (52) At the same time, imports from the PRC also decreased significantly but, given the steeper decrease of Community consumption, the market share of these imports has increased to around 18 %. The prices of Chinese imports increased in line with what was indicated in recital 98 of the provisional Regulation.

| PRC | 2005 | 2006 | 2007 | IP | Post-IP period |
|---------------------------|--------|---------|---------|---------|----------------|
| Imports Volume | 26 396 | 136 850 | 470 413 | 542 840 | 306 866 |
| Market Share | 1,0 % | 5,1 % | 14,9 % | 17,1 % | 17,8 % |
| <i>Index (2005 = 100)</i> | 100 | 491 | 1 451 | 1 663 | 1 733 |
| Export Price | 766,48 | 699,90 | 699,10 | 715,09 | 966,63 |
| <i>Index (2005 = 100)</i> | 100 | 91 | 91 | 93 | 138 |

- (53) In the same period, the production of the Community industry decreased significantly, so that the capacity utilisation of the sampled companies dropped to 60 % in March 2009. Sales of the Community industry on the Community market decreased substantially and in line with the decrease of Community consumption, so that the market share of the Community industry remained stable. As for prices, after having increased in the second half of 2008, they decreased in the first quarter of 2009, though remaining at values higher than during the IP.

| Sampled Community producers | 2005 | 2006 | 2007 | IP | Post-IP period |
|-----------------------------|-----------|-----------|-----------|-----------|----------------|
| Production | 2 022 596 | 2 197 964 | 2 213 956 | 2 158 096 | 1 477 198 |
| Capacity | 2 451 187 | 2 469 365 | 2 446 462 | 2 398 283 | 1 889 180 |
| Capacity Utilisation | 83 % | 89 % | 90 % | 90 % | 78 % |
| <i>Index (2005 = 100)</i> | 100 | 108 | 110 | 109 | 88 |

| Community Industry | 2005 | 2006 | 2007 | IP | Post-IP period |
|---------------------------|-----------|-----------|-----------|-----------|----------------|
| EC sales Volume | 1 766 197 | 1 907 126 | 2 061 033 | 2 017 525 | 1 093 175 |
| Market Share | 68,8 % | 70,5 % | 65,4 % | 63,6 % | 63,5 % |
| <i>Index (2005 = 100)</i> | 100 | 102 | 95 | 92 | 90 |

⁽¹⁾ On the basis of a comparison carried out between monthly average volumes.

| Sampled Community Producers | 2005 | 2006 | 2007 | IP | Post-IP period |
|-----------------------------|------|-------|-------|-------|----------------|
| EC Sales Price | 983 | 1 047 | 1 188 | 1 192 | 1 415 |
| <i>Index (2005 = 100)</i> | 100 | 106 | 121 | 121 | 135 |

- (54) Finally, the profitability of the Community industry has decreased substantially and at a quicker pace than indicated in recital 110 of the provisional Regulation, so that it was negative (– 0,8 %) in the first quarter of 2009.

| Sampled Community Producers | 2005 | 2006 | 2007 | IP | Post-IP period |
|-----------------------------|--------|--------|--------|--------|----------------|
| Profitability | 12,1 % | 17,3 % | 17,9 % | 15,4 % | 3,5 % |
| <i>Index (2005 = 100)</i> | 100 | 143 | 147 | 127 | 20 |

- (55) In conclusion, the information additionally collected and verified at the definitive stage of the investigation confirms the analysis carried out in recitals 90 to 112 of the provisional Regulation.

1.2. Comments submitted by parties

- (56) One exporting producer claimed that the investigation of injury, contrary to that of dumping, had been extended beyond the IP, by basing the analysis also on information and data for the period after June 2008.
- (57) It is first of all recalled that the IP and the period considered are the basis on which the assessment of threat of injury was made in the provisional Regulation. However, in a threat of injury case, the injury found in the investigation period cannot — by definition — be material, otherwise that investigation would qualify as an investigation based on actual material injury. The investigating authority therefore needs to ascertain whether, although the injury was not material during the IP, the factors referred to in Article 3(9) of the basic Regulation lead to the conclusion that there is a threat of material injury. Therefore, the investigating authority is entitled to verify that the events taking place after the end of the IP do confirm the findings of threat of injury reached at the provisional stage.
- (58) Mofcom, CISA and one Chinese exporting producer considered that the source of the information used was not made clear in recital 91 of the provisional Regulation and that the forecasts and other information submitted by Community producers or the complainant and referred to in recitals 99, 101 and 108 of the provisional Regulation were not from an objective source of information. Mofcom also claimed that, by using such

information, the investigating authority had not displayed the 'special care' requested by the WTO ADA in threat of injury investigations.

- (59) It is confirmed that the detailed evidence relating to the various sources of the public information mentioned in recital 91 of the provisional Regulation was made available in the files open to consultation by interested parties well before the publication of the provisional Regulation. As for the forecasts and other information submitted by the Community industry, these were verified and were taken into account only when, and to the extent that, such information was considered reliable and accurate. The fact that the information submitted had been verified was already specifically mentioned in recital 100 of the provisional Regulation, and additional verification visits were carried out after the imposition of provisional measures, as indicated in recital 5 above.
- (60) The claims referred to in recitals 56 and 58 above are therefore rejected.
- (61) CISA claimed that in assessing the developments of the Chinese imports after the IP, account should have been taken not of the actual imports but of the level of orders intake, since actual imports take place normally after 3 to 4 months from the order. Given the time lag, any variation in the level of the EC market demand would be reflected in the actual imports only some months afterwards and this would explain why Chinese imports were still high in November and December 2008, notwithstanding the fact that the level of the demand in the EU market had already started to decrease. Similar comments were also made by a Chinese exporting producer.

(62) Actual imports are usually taken as the basis to assess the volumes and average prices of imports from a given country. Information relating to order intakes may be taken into account in order to support other information, but can rarely be backed up by sufficiently verifiable evidence. In any case, the analysis of the claim has showed that Community consumption had already started to decrease during the third quarter of 2008. Thus, this fact should have already been reflected, in case of a 3 to 4-month gap, in the level of the Chinese imports for the fourth quarter of 2008, which was instead relatively high. Moreover, should the above-mentioned 3 to 4-month gap be considered, the strong decrease in Chinese imports taking place in the first quarter of 2009 could be in anticipation of anti-dumping measures rather than due to the slowdown in demand. In fact, importers might have been less and less willing to place orders for goods which might have arrived at a moment when anti-dumping measures could possibly have already been imposed. In conclusion, it is considered that an analysis based on order intakes rather than on actual imports would have only added elements of uncertainty to the investigation without leading to any significantly different conclusion. Therefore, the claim made by CISA in this respect is rejected.

(63) Mofcom, CISA and a Chinese exporting producer claimed that, according to various press releases and/or financial statements published by a number of Community producers groups, 2008 remained a strong year in terms of their performance and this would therefore contradict the findings of threat of injury contained in the provisional Regulation, in particular recital 110 thereof.

(64) In examining this claim it was found that the information CISA was referring to did not specifically relate to the European entities involved in the production of the product concerned. As already mentioned in recital 44 above, a major group of companies is composed of various entities often manufacturing very different products. The general financial information relating to a company group as such may therefore not be representative of the economic situation relating to the specific entities producing the like product and selling it in the Community market. Finally, it is recalled that the information relating to the companies manufacturing the like product used during the investigation had been duly verified. The claim is therefore rejected.

(65) In the absence of any other claim specifically concerning recitals 90 to 112 of the provisional Regulation, the findings contained therein are confirmed.

2. Threat of injury

2.1. Development of volumes of dumped imports

(66) CISA claimed that the increase in Chinese imports mentioned in recital 114 of the provisional Regulation was the consequence of an increase in demand in the EU market. Similar comments were also submitted by Mofcom and a Chinese exporting producer. CISA also rejected the assessment that the development of Chinese imports could be the result of a market penetration strategy and underlined that, since Chinese exports were made by a large number of Chinese producers, it was impossible to think of them as elaborating a coordinated strategy.

(67) If it were true that the development of Chinese imports was correlated to the increase in demand in the EC market as claimed by CISA, the market share of such imports would have remained substantially stable, and would not have increased from 1 % to 17 % during the period considered. The substantial increase in the market share of the Chinese imports and its completely different evolution from the evolution of the market shares of the Community industry and any other import source, clearly point to the fact that other elements have underpinned the increase in Chinese imports. This conclusion is further supported by the fact that Chinese imports have consistently taken place at very low dumped prices, as it had been explained in recitals 63 to 65 of the provisional Regulation. Moreover, there is no need for exporters to coordinate a strategy in order to converge towards a similar behaviour. Once it becomes clear that to penetrate a market a certain very low level of prices is successful, a convergence towards such successful market strategy would probably take place without any need for exporters to coordinate. Therefore, the claims in recital 66 above are rejected and the findings in recital 114 of the provisional Regulation are confirmed.

(68) CISA also claimed that, contrary to the assessment made in recitals 115 and 116 of the provisional Regulation, imports from the PRC decreased significantly in the period after the IP. It is indeed true that, as indicated in recital 52 above, imports from the PRC decreased significantly during the post-IP period. However, the wording of recital 116 of the provisional Regulation makes it clear that what matters is not the absolute volume of such imports, but their relative importance in relation to consumption, in other words, their market share in the total Community market. As also indicated in recital 52 above, notwithstanding their decrease in absolute volume, Chinese imports of the product concerned have slightly increased their market share during the post-IP period. Therefore, considering the fact that (i) the assessment at the basis of the reasoning in recitals 115 and 116 of the provisional Regulation was made on the most recent reliable information concerning imports available at the time

of the provisional findings, i.e. imports data for November and December 2008, (ii) this data was coherent with the evolution of the Chinese imports until that moment, and (iii) the reasoning was based on relative and not absolute volumes, it is concluded that the assessment in recitals 115 and 116 of the provisional Regulation is not in contradiction with the findings mentioned in recital 52 above. It is in any case worth noting that, for the reasons mentioned in recital 134 of the provisional Regulation, the level of Chinese imports might be considered as an element of threat of injury even in the case that volumes would start to decrease proportionally more than the decrease in consumption, since the presence itself of substantial volumes of low-priced Chinese goods in a context of decreasing consumption will exert an important downward pressure on the general level of prices in the market. In any case, no single factor mentioned in Article 3(9) of the basic Regulation can necessarily give decisive guidance on the existence of a threat of injury. Rather, all the factors must be considered in their totality. The claim is therefore rejected and the findings in recital 115 of the provisional Regulation are confirmed.

to the EC for the period considered. As for the supposed reversal of the increasing trend in exports to the EC as regards the total Chinese exports of the product concerned in 2008, CISA failed to submit any decisive supporting evidence of its claim. In this respect, it should be noted that the data resulting from Chinese statistics clearly refer to a product scope significantly different from the product concerned; this clearly appears from the fact that exports to Europe, as shown in these statistics, are not only much more than the imports registered in Eurostat for the product concerned, but their evolution also shows a completely different trend. The evidence provided could therefore not be accepted. As for the projected actions by the Chinese government to stimulate internal demand, the evidence submitted cannot alter the analysis since the effects on demand cannot be established reliably. Moreover, it is unclear for most of the projects mentioned that they will be completed. Finally, some large pipeline projects referred to by CISA seem to be projects built with large welded pipes and not with the seamless pipes that are the subject of the present proceeding. The claims in recital 69 above are therefore rejected.

2.2. Availability of free capacity of the exporters

(69) CISA claimed that the analysis in recital 118 of the provisional Regulation was based on data from the sampled exporters, which were the most export-oriented companies, so that their data would not reflect correctly the overall situation concerning exports from the PRC. Instead, it is claimed that the share of Chinese exports to the EC out of the total Chinese exports indicated in recital 119 of the provisional Regulation changed trend in 2008, decreasing from 15 % to 11 %. Finally, the analysis in recitals 117 to 119 of the provisional Regulation ignored the evolution in demand for the Chinese domestic market, which was forecast to absorb a significant part of the output generated by the existing overcapacity. In this respect, reference was made to a number of projects and plans by the Chinese government to sustain internal demand. Mofcom also claimed that the development of the demand in the Chinese domestic market had not been examined in the provisional Regulation.

(70) The findings relating to the sampled companies in recital 118 of the provisional Regulation are clearly confirmed by the trends in the general export data referred to in recital 119 of the provisional Regulation, which showed an even more significant increase in the trend of exports

(71) CISA also considered that the re-direction scenario indicated in recital 119 of the provisional Regulation was misplaced because the Chinese exports to the USA would mainly consist of products (OCTG) not widely imported in the EC. CISA also claimed that prices to the EC were not necessarily lower than in other countries but, on the contrary, the EC has been an attractive market for Chinese exports so far. As regards this claim, it must be stated that the analysis carried out in recital 119 of the provisional Regulation was based on statistical data which does not contain detailed reference to specific product types. In any case, it should be noted that the production equipment necessary to manufacture the product concerned can, to a very large extent, be used for the production of various product types of seamless pipes and tubes. Therefore, even if a specific type of tube like OCTG is not extensively imported in the EC, this fact is not relevant for the consideration of potentially available free capacities since the equipment used for manufacturing this type of tube can easily be switched to produce other types of the product concerned, which are imported in much more substantial quantities into the EC market. Therefore, the claims in recital 66 above are rejected and the findings in recitals 117 to 119 of the provisional Regulation are confirmed.

2.3. *Prices of the imports from the PRC*

- (72) CISA claimed that, after the IP, prices of Chinese imports have increased substantially whilst prices of the Community industry have not followed the same trend, so that the undercutting existing during the IP would have been substantially reduced or even eliminated in the period after the IP.
- (73) As already indicated in recitals 98 and 122 of the provisional Regulation, it is confirmed that after the IP the prices of imports from various sources, including from the PRC, increased substantially, as did the prices of the Community industry. An analysis of the price lists of Community industry after the IP and of the prices of comparable products imported from the PRC has been carried out, and has shown that there has been a parallelism in price movements. In conclusion, no evidence was found to support the allegation that the undercutting found during the IP would have been substantially reduced or even be eliminated. The findings in recitals 120 to 123 of the provisional Regulation are therefore confirmed.

2.4. *Level of inventories*

- (74) In the absence of any comments on this point, the findings in recital 124 of the provisional Regulation are hereby confirmed.

2.5. *Other elements*

- (75) CISA claimed that the possible intervention of the Chinese government referred to in recital 125 of the provisional Regulation was pure conjecture. However, the investigation has shown that the individual treatment granted to one Chinese exporting producer at the provisional stage had to be withdrawn subsequently, as indicated in recitals 19 to 23 above, because of the increased level of state intervention, which was prompted by the worsening economic situation after the IP. This fact clearly supports the finding in recital 125 of the provisional Regulation and the claim is therefore rejected.

2.6. *Conclusions*

- (76) It is first of all noted that the finding of threat of injury has been made after taking into consideration, inter alia, the totality of the various factors referred to in Article 3(5) and 3(9) of the basic Regulation.
- (77) CISA claimed that the findings in the provisional Regulation had not complied with the standards required by the WTO for this type of investigation, i.e., that the findings should be supported by evidence and not be the result of allegation, conjecture or remote possibility;

that the projections and assumptions should show a high degree of likelihood; and that alternative explanations in arriving to a given conclusion should be examined.

- (78) The provisional Regulation indicates clearly on which basis the findings relating to the various elements of the investigation have been established. This was supported by the evidence indicated, such as: statistical data sourced from Eurostat, questionnaire replies by cooperating companies, information on non-sampled companies provided by the complainant, information contained in submissions made by interested parties, other information found on the Internet in the course of the investigation. All this information, where non-confidential, has been open to consultation by interested parties.
- (79) The elements relating to the threat of injury examination have been considered separately and in detail in the provisional Regulation and the degree of materialisation of the assumptions and forecasts made at the provisional stage was re-examined and verified — to the extent possible — at the definitive stage of the investigation, as set out in the findings in this Regulation. No facts, evidence or indication was found that would contradict the findings contained in the provisional Regulation. Therefore, the projections and assumptions contained in the provisional Regulation were not conjectures or allegations, but the result of a thorough analysis of the situation.
- (80) As for the alternative explanations and interpretations referred to in recital 78 above, including those presented by interested parties in their submissions, they have been duly examined during the investigation and addressed in this Regulation as well as in the provisional Regulation.
- (81) In conclusion, the examination of the facts taking place after the end of the IP as well as the analysis of the comments and observations made by the interested parties on the provisional Regulation and on the disclosure of the final findings have not revealed any evidence that would put in doubt the conclusion that the threat of material injury existed as of the end of the IP. Therefore, the claim made by CISA in recital 77 above is rejected and the findings in recital 126 of the provisional Regulation are hereby confirmed.

F. CAUSATION

1. *Effect of the dumped imports*

- (82) In the absence of any specific comments, recitals 128 to 135 of the provisional Regulation are hereby confirmed.

2. Effect of other factors

(a) Import and export activity of the Community industry

- (83) CISA claimed that the fact that Community industry imported the product concerned from the PRC and other countries demonstrated they did not have the capacity to meet the demand in the Community market. This was because the Community industry had not invested in new production capacity and concentrated heavily on the higher value segments of the market. In this respect, it should be recalled that it was explained in recital 136 of the provisional Regulation that such imports were estimated to be less than 2 % of the total imports from the PRC, and no evidence was provided to prove that this amount was higher.
- (84) CISA also questioned the exact reasons why the company group mentioned in recital 138 of the provisional Regulation had to carry out the mentioned imports. The issue was further examined and it is confirmed that for reasons of cost efficiency, the production of certain product types had been carried out by other non-European entities of the group. As already mentioned in recital 138 of the provisional Regulation however, it was verified that such imports had not been at prices undercutting the Community price for the same product types.
- (85) CISA finally pointed to an apparent inconsistency between the relatively positive estimation of the Community industry concerning their future export sales and the general economic trends for third country markets, which were instead forecasted to decline. In this respect, it is to be noted that the analysis of the export activity of the Community industry does not have any effect on the determinations relating to injury or threat of injury, which exclusively concern the activity of the Community industry for the like product in the EC market. If some of the Community producers have optimistic views about their export activities this may only have resulted in the overstatement of their forecasted general economic performance but not in their performance in the domestic market, which is kept separate in the analysis.
- (86) Therefore, the claims referred to in recitals 83 to 85 above are rejected and the findings contained in recitals 136 to 141 of the provisional Regulation are hereby confirmed.

(b) Imports from third countries

- (87) Moreover, CISA claimed that it is not sufficient to examine the average price of imports from other non-EU third countries, but that the exact nature of these products should also be considered. It is confirmed that a detailed analysis has been carried out in all instances where sufficiently detailed information on prices was made available by importers. Unfortunately, trade

statistics are not very detailed and, given the relatively low cooperation of importers in this investigation, little detailed information was available on prices on a product-by-product basis for imports from other countries. However, no substantiated information which would point to a conclusion different from what was indicated in recitals 142 to 145 of the provisional Regulation was provided by any party, so that the findings contained in those recitals of the provisional Regulation are hereby confirmed.

(c) Competition from other Community producers

- (88) In the absence of any specific comments on this point, recital 146 of the provisional Regulation is hereby confirmed.

(d) Cost of Production/Raw Material Costs

- (89) CISA claimed that the Community industry had modified its product mix in order to concentrate on product types having a higher selling price, in order to contain the effects of an increase in cost of production. This would show that the Community industry had sufficient means to reflect any increase in costs by increasing selling prices, contrary to what was indicated in recital 149 of the provisional Regulation.
- (90) There is no doubt that the Community industry has over time tried to maximise profit by reflecting increases in costs by increasing selling prices. This is however not a never-ending process, and there is a moment when such adjustments are no longer possible given the competition existing in the market. In a market where similar goods are sold at substantially lower prices, the margin to operate such mark up becomes smaller the higher the market share of such low priced goods is. The comments made by CISA therefore do not contradict the findings in recitals 147 to 149 of the provisional Regulation which are therefore confirmed.

(e) Shrinking of the Community market of seamless pipes and tubes due to economic downturn

- (91) Mofcom, CISA and a Chinese exporting producer claimed that the global economic downturn is at the basis of the economic problems suffered by the Community industry and concluded that it has broken the causal link between Chinese imports and any alleged injury or threat of injury. In this respect, it should be noted that CISA itself has recognised that the market consumption prevailing between 2005 and the IP was at exceptional levels and that the decrease in demand experienced after the IP may — to a very large extent — just be attributed to the market for this product coming back to its normal conditions. It is not clear therefore whether the global economic downturn can be considered as a cause of injury, since the information available only shows that the level of EC market consumption in the post-IP period

has come back to levels already considered as normal in the past. This would also suggest that it was the existence of exceptional levels of Community consumption during the period considered that had allowed the Community industry not to suffer material injury despite the significant market share and the substantial undercutting of dumped Chinese imports. In any case, recital 150 of the provisional Regulation does not exclude the possibility that the general economic downturn may have played a role in the injurious situation of the Community industry after the IP. However, it cannot be argued that the Community industry has only been negatively affected by the effects of the general economic crisis and that the dumped imports had no effect, when it is clear that the latter held a very substantial market share and significantly undercut the Community industry's prices. The claim that the economic downturn has broken the causal link referred to in recitals 128 to 135 of the provisional Regulation is therefore rejected, while the issue that the changed economic environment in comparison to the IP may have an effect on the determination of the level of the measures is addressed in recital 104 below.

- (92) The claims were, therefore, rejected and recital 150 of the provisional Regulation is hereby confirmed.

(f) **Other factors**

- (93) CISA commented that some Community producers have concluded framework contracts with customers at pre-agreed prices so that for them prices would have remained stable. At the same time they would have concluded similar fixed price agreements with suppliers of iron ore and other major inputs so that they would not be able to profit from the very sharp decrease in costs that these raw materials have been experiencing since immediately after the IP.
- (94) It is first of all noted that the fixed price agreements with customers were a practice that was limited in terms of the number of contracts and, given the periods covered, it cannot be considered as having had significant effects. This conclusion is confirmed by the fact that Community industry prices also have increased substantially. As for the fixed price agreements concerning major raw materials, this appears to be a worldwide spread practice which should therefore not put the Community producers at either an advantage or a disadvantage in respect of any other producer of the like product in the world market. Therefore, this cannot be

seen as a cause for breaking the causal link either. The claims in recital 93 above are therefore rejected.

3. Conclusion on causation

- (95) In the absence of any further comments on this point, recitals 151 to 153 of the provisional Regulation are hereby confirmed.

G. COMMUNITY INTEREST

1. Interest of the Community industry

- (96) The complainant, as well as a number of Community producers reiterated that the existence of anti-dumping measures was an essential element for them to continue as a going concern, given the injurious dumping practised. In the absence of any further comment, recital 155 of the provisional Regulation is hereby confirmed.

2. Interest of the other Community producers

- (97) In the absence of any specific comment on this point, recital 156 of the provisional Regulation is hereby confirmed.

3. Interest of unrelated importers in the Community

- (98) A user of the product concerned, which is also an importer, came forward to point out that the CN codes of the product it was importing had not been mentioned in the notice of initiation and it only became aware that the investigation was also covering these product types after the imposition of provisional measures. It claimed that it had to pay unforeseen anti-dumping duties for that reason. This importer was informed that the Notice of initiation contained a clear description of the product under investigation and that the CN codes were mentioned therein for information only. The correct customs classification of the product concerned is indeed one of the elements under investigation and it is therefore perfectly possible that the CN codes mentioned in the provisional Regulation differ to a certain extent from those indicated in the notice of initiation of the proceeding.
- (99) In the absence of any further comments on this point recital 157 of the provisional Regulation is hereby confirmed.

4. Interest of users

- (100) The user mentioned in recital 98 above also claimed that, should definitive measures be imposed on the product concerned, this would create serious problems of supply for its company, given the fact that EC producers are reluctant to supply it. This claim was examined and it was found that the problems encountered by this party in sourcing the product from Community producers related to past periods when, in the context of very high market demand, the supply of very limited quantities of such products was not considered as economically viable by certain Community producers. However, in periods of normal market demand this constraint should disappear, particularly when considering the fact that other users or importers of the same types of products may increase the level of Community demand for such products, given the imposition of measures. On the basis of these considerations, and also of the fact that the uses in question only represented a very limited fraction of the total consumption of the product concerned, it is concluded that the availability of sources of supply should not be an issue for the product concerned.
- (101) One other user, who is buying the like product exclusively from the Community industry, reiterated its support for the imposition of measures. No other users came forward to comment on the provisional findings. In the absence of any further comment, recital 158 of the provisional Regulation is hereby confirmed.

5. Conclusion on Community interest

- (102) In the absence of any specific comment, recital 159 of the provisional Regulation is definitively confirmed.

H. DEFINITIVE MEASURES

1. Injury elimination level

- (103) The complainant and a number of Community producers part of the Community industry claimed that the 3 % profit margin provisionally used for the calculation of the injury elimination level referred to in recitals 161 to 163 of the provisional Regulation was excessively low, when considering that this is a capital intensive industry with high fixed costs, and that the average profit margins achieved by the Community industry during the period considered were well above 3 %.
- (104) It is recognised that the like product requires a highly capital intensive production. However it is considered that the current market situation is not such as to allow for the making of a clear assessment about the

capacity utilisation rates for the near future and in particular for the years during which the measures will be in force, and this may have an impact on the determination of the margin of profit which should normally be achieved in a given market in the absence of dumping practices. Under these circumstances, and considering the fact that there is always the possibility for the Community industry to request a review of the measures in case of a change in circumstances, it was concluded that the moderate 3 % profit margin established at the provisional stage and in a previous investigation concerning the same product should be maintained. It is however noted that, should the market circumstances change significantly, such a 3 % profit margin may need to be revised.

- (105) The methodology for the calculation of the injury elimination level indicated in recitals 164 and 165 of the provisional Regulation was applied, subject to the small adjustment referred to in recital 41 above. The countrywide injury elimination level was calculated as the weighted average of the injury margins found for the most representative product types sold by an exporting producer not granted IT.
- (106) The injury margins thus established were lower than the dumping margins found.

2. Definitive measures

- (107) In view of the conclusions reached with regard to dumping, injury, causation and Community interest, and in accordance with Article 9(4) of the basic Regulation, it is considered that a definitive anti-dumping duty should be imposed on imports of the product concerned originating in the PRC at the level of the lowest of the dumping and injury margins found, in accordance with the lesser duty rule, which is in all cases the injury margin.
- (108) On the basis of the above, the definitive duties should be as follows:

| Exporting producer | Anti-dumping duty |
|-------------------------------------|-------------------|
| Shandong Luxing Steel Pipe Co., Ltd | 17,7 % |
| Other cooperating companies | 27,2 % |
| All other companies | 39,2 % |

(109) The individual company anti-dumping duty rates specified in this Regulation were established on the basis of the findings of the present investigation. Therefore, they reflect the situation found during that investigation with respect to these companies. These duty rates (as opposed to the countrywide duty applicable to 'all other companies') are thus exclusively applicable to imports of products originating in the country concerned and produced by the companies and thus by the specific legal entities mentioned. Imported products produced by any other company not specifically mentioned in the operative part of this Regulation with its name and address, including entities related to those specifically mentioned, cannot benefit from these rates and shall be subject to the duty rate applicable to 'all other companies'.

(110) Any claim requesting the application of an individual company anti-dumping duty rate (e.g. following a change in the name of the entity or following the setting up of new production or sales entities) should be addressed to the Commission⁽¹⁾ forthwith with all relevant information, in particular any modification in the company's activities linked to production, domestic and export sales associated with, for example, that name change or that change in the production and sales entities. If appropriate, the Regulation will then be amended accordingly by updating the list of companies benefiting from individual duty rates.

(111) All parties were informed of the essential facts and considerations on the basis of which it was intended to recommend the imposition of definitive anti-dumping duties. They were also granted a period within which they could make representations subsequent to this disclosure. The comments submitted by the parties were duly considered and, where appropriate, the findings have been modified accordingly.

(112) In order to ensure equal treatment between any new exporters and the cooperating companies not included in the sample, mentioned in the Annex to this Regulation, provision should be made for the weighted average duty imposed on the latter companies to be applied to any new exporters which would otherwise be entitled to a review pursuant to Article 11(4) of the basic Regulation as Article 11(4) does not apply where sampling has been used.

3. Undertakings

(113) Following the disclosure of the essential facts and considerations on the basis of which it was intended to

recommend the imposition of a definitive anti-dumping duty, a number of non-sampled exporting producers in the PRC indicated their wish to offer a price undertaking in accordance with Article 8(1) of the basic Regulation. However, despite the fact that all necessary conditions were explained, no formal undertaking offer was submitted within the time limit set for this purpose by Article 8(2) of the basic Regulation and no extension of this time limit was requested. Under these circumstances, it is not necessary to further consider the issue of undertakings in the framework of this investigation.

I. DEFINITIVE COLLECTION OF THE PROVISIONAL DUTY

(114) Since the investigation has shown that the threat of injury was imminent at the end of the IP as indicated in recital 126 of the provisional Regulation, taking into account the findings in recital 50 to 55 above which confirm a negative evolution of several injury indicators after the IP, and in view of the magnitude of the dumping margin found, it is concluded that injury would have occurred in the absence of provisional measures. It is therefore considered necessary that the amounts secured by way of provisional anti-dumping duty imposed by the provisional Regulation be definitively collected,

HAS ADOPTED THIS REGULATION:

Article 1

1. A definitive anti-dumping duty is hereby imposed on imports of seamless pipes and tubes, of iron or steel, of circular cross section, of an external diameter not exceeding 406,4 mm with a Carbon Equivalent Value (CEV) not exceeding 0,86 according to the International Institute of Welding (IIW) formula and chemical analysis⁽²⁾, currently falling within CN codes ex 7304 19 10, ex 7304 19 30, ex 7304 23 00, ex 7304 29 10, ex 7304 29 30, ex 7304 31 20, ex 7304 31 80, ex 7304 39 10, ex 7304 39 52, ex 7304 39 58, ex 7304 39 92, ex 7304 39 93, ex 7304 51 81, ex 7304 51 89, ex 7304 59 10, ex 7304 59 92 and ex 7304 59 93⁽³⁾ (TARIC codes 7304 19 10 20, 7304 19 30 20, 7304 23 00 20, 7304 29 10 20, 7304 29 30 20, 7304 31 20 20, 7304 31 80 30, 7304 39 10 10, 7304 39 52 20, 7304 39 58 30, 7304 39 92 30, 7304 39 93 20, 7304 51 81 20, 7304 51 89 30, 7304 59 10 10, 7304 59 92 30 and 7304 59 93 20) and originating in the People's Republic of China.

⁽²⁾ The CEV shall be determined in accordance with Technical Report, 1967, IIW doc. IX-555-67, published by the International Institute of Welding (IIW).

⁽³⁾ As defined in Commission Regulation (EC) No 1031/2008 of 19 September 2008 amending Annex I to Council Regulation (EEC) No 2658/87 on the tariff and statistical nomenclature and on the Common Customs Tariff (OJ L 291, 31.10.2008, p. 1). The product coverage is determined in combining the product description in Article 1(1) and the product description of the corresponding CN codes taken together.

⁽¹⁾ European Commission, Directorate-General for Trade, Directorate H, Office N105 04/092, 1049 Brussels, BELGIUM.

2. The rate of the definitive anti-dumping duty applicable to the net, free-at-Community-frontier price, before duty, of the products described in paragraph 1 and produced by the companies below shall be as follows:

| Company | Anti-Dumping duty (%) | TARIC Additional Code |
|---|-----------------------|-----------------------|
| Shandong Luxing Steel Pipe Co., Ltd, Qingzhou City, PRC | 17,7 | A949 |
| Other cooperating companies listed in the Annex | 27,2 | A950 |
| All other companies | 39,2 | A999 |

3. Unless otherwise specified, the provisions in force concerning customs duties shall apply.

Article 2

The amounts secured by way of provisional anti-dumping duty pursuant to Commission Regulation (EC) No 289/2009 on imports of certain seamless pipes and tubes of iron or steel originating in the People's Republic of China shall be definitively collected at the rate of the provisional duty.

This Regulation shall be binding in its entirety and directly applicable in all Member States.

Done at Brussels, 24 September 2009.

Article 3

Where any new exporting producer in the People's Republic of China provides sufficient evidence to the Commission that:

- it did not export to the Community the product described in Article 1(1) during the investigation period (1 July 2007 to 30 June 2008),
- it is not related to any of the exporters or producers in the People's Republic of China which are subject to the measures imposed by this Regulation,
- it has actually exported to the Community the product concerned after the investigation period on which the measures are based, or it has entered into an irrevocable contractual obligation to export a significant quantity to the Community,

the Council, acting by simple majority on a proposal submitted by the Commission after consulting the Advisory Committee, may amend Article 1(2) by adding the new exporting producer to the cooperating companies not included in the sample and thus subject to the weighted average duty rate of 27,2 %.

Article 4

This Regulation shall enter into force on the day following its publication in the *Official Journal of the European Union*.

For the Council
The President
M. OLOFSSON

ANNEX

List of cooperating producers referred to in Article 1(2) under TARIC additional code A950

| Company Name | City |
|--|--------------|
| Handan Precise Seamless Steel Pipes Co., Ltd | Handan |
| Hengyang Valin MPM Co., Ltd | Hengyang |
| Hengyang Valin Steel Tube Co., Ltd | Hengyang |
| Hubei Xinyegang Steel Co., Ltd | Huangshi |
| Jiangsu Huacheng Industry Group Co., Ltd | Zhangjiagang |
| Jiangyin City Seamless Steel Tube Factory | Jiangyin |
| Jiangyin Metal Tube Making Factory | Jiangyin |
| Pangang Group Chengdu Iron & Steel Co., Ltd | Chengdu |
| Shenyang Xinda Co., Ltd | Shenyang |
| Suzhou Seamless Steel Tube Works | Suzhou |
| Tianjin Pipe (Group) Corporation (TPCO) | Tianjin |
| Wuxi Dexin Steel Tube Co., Ltd | Wuxi |
| Wuxi Dongwu Pipe Industry Co., Ltd | Wuxi |
| Wuxi Seamless Oil Pipe Co., Ltd | Wuxi |
| Zhangjiagang City Yiyang Pipe Producing Co., Ltd | Zhangjiagang |
| Zhangjiagang Yichen Steel Tube Co., Ltd | Zhangjiagang |

REGULATIONS

COUNCIL IMPLEMENTING REGULATION (EU) No 1331/2011

of 14 December 2011

imposing a definitive anti-dumping duty and collecting definitively the provisional duty imposed on imports of certain seamless pipes and tubes of stainless steel originating in the People's Republic of China

THE COUNCIL OF THE EUROPEAN UNION,

Having regard to the Treaty on the Functioning of the European Union,

Having regard to Council Regulation (EC) No 1225/2009 of 30 November 2009 on protection against dumped imports from countries not members of the European Community⁽¹⁾ (the basic Regulation) and in particular Article 9 thereof,

Having regard to the proposal submitted by the European Commission (the Commission) after having consulted the Advisory Committee,

Whereas:

A. PROVISIONAL MEASURES

- (1) The Commission, by Regulation (EU) No 627/2011⁽²⁾ (the provisional Regulation) imposed a provisional anti-dumping duty on imports of certain seamless pipes and tubes of stainless steel originating in the People's Republic of China (PRC).
- (2) The proceeding was initiated as a result of a complaint lodged on 16 August 2010 (the complaint) by the Defence Committee of the Seamless Stainless Steel Tubes Industry of the European Union (the Defence Committee) on behalf of two groups of Union producers (the complainants) representing a major proportion, in this case more than 50 % of the total Union production of certain seamless pipes and tubes of stainless steel.
- (3) It is recalled that, as set out in recital 14 of the provisional Regulation, the investigation of dumping and injury covered the period from 1 July 2009 to 30 June 2010 ('the investigation period' or 'IP'). The examination

of trends relevant for the assessment of injury covered the period from 1 January 2006 to the end of the IP (the period considered).

B. SUBSEQUENT PROCEDURE

- (4) Subsequent to the disclosure of the essential facts and considerations on the basis of which it was decided to impose provisional measures (provisional disclosure), several interested parties made written submissions making known their views on the provisional findings. The parties who so requested were granted the opportunity to be heard. The Commission continued to seek information it deemed necessary for its definitive findings.

Individual examination

- (5) With regard to the three claims for individual examination, it has been definitively decided that they could not be granted as they would render the investigation unduly burdensome and would prevent the completion of the investigation in good time. As stated in recital 6 of the provisional Regulation, the Commission had selected a representative sample, covering 25 % of the total imports recorded in Eurostat during the IP and over 38 % of the total volume of the cooperating exporters in the IP. As indicated in recital 13 of the provisional Regulation, two of the three sampled exporting producers constitute large groups. The size of the groups amounted to a particular burden for the present investigation in terms of both the investigative effort as well as analysis. In these circumstances, it was not possible to accommodate the claims for individual examination from additional exporting producers.

C. PRODUCT CONCERNED AND LIKE PRODUCT

1. Product concerned

- (6) It is recalled that, as set out in recital 15 of the provisional Regulation, the product concerned is seamless pipes and tubes of stainless steel (excluding such pipes and tubes with attached fittings suitable for conducting gases or liquids for use in civil aircraft), originating in the PRC, currently falling within CN codes 7304 11 00, 7304 22 00, 7304 24 00, ex 7304 41 00, 7304 49 10, ex 7304 49 93, ex 7304 49 95, ex 7304 49 99 and ex 7304 90 00 (the product concerned).

⁽¹⁾ OJ L 343, 22.12.2009, p. 51.

⁽²⁾ OJ L 169, 29.6.2011, p. 1.

- (7) In the absence of any comment with regard to the product concerned following provisional disclosure, recitals 15 to 19 of the provisional Regulation are hereby confirmed.

2. Like product

- (8) In the absence of any comment, recital 20 of the provisional Regulation is hereby confirmed.

D. DUMPING

1. Market economy treatment

- (9) Following provisional disclosure, some parties contested some of the findings related to the MET determination as set out in recitals 21 to 43 of the provisional Regulation.

- (10) One party claimed that the Commission did not disclose the price difference of raw materials between the EU and the PRC market. In this respect, it has to be noted that both the MET disclosure, as well as the provisional Regulation, disclose the nominal price difference between the EU, USA and PRC prices of raw materials. As stated in recital 27 of the provisional Regulation, this difference, on average and depending on the steel grade, amounts to around 30 %. As far the sources of information that formed the basis for this comparison are concerned, the Commission used data available from cooperating Union producers and exporting producers in the PRC. These data have been cross-checked with some publicly available sources ⁽¹⁾.

- (11) It was further claimed that the Commission conducted no comparison of prices of iron ore imported into the PRC and international market prices. A related claim was that no data have been provided concerning the impact of iron ore on the cost of the raw material (billet, ingot, round bars) purchased by the producers of the product concerned. The reference to iron ore in recital 28 of the provisional Regulation was made in the context of comparative advantage to analyse a possible explanation for the low prices of billets, ingots and round bars in the PRC. Iron ore as well as nickel and chromium are main cost drivers in the production of stainless steel billets, ingots and round bars. But, due to the fact that the prices of iron ore, nickel and chromium are in general based on international market prices, their impact on the price difference between EU and PRC billets, ingots and round bars and finally on stainless seamless pipes and tubes can only be limited. Therefore, the findings that led

to the rejection of criterion 1 of the MET claim were not based on iron ore prices but on the price difference between the raw materials, i.e. billets, ingots and round bars, directly used in the production of the product concerned; this price difference combined with the established State interference (export tax and no VAT refund) led to the conclusion that it has not been shown that criterion 1 for granting MET was fulfilled.

- (12) One party reiterated on several occasions the same claim related to the procedural aspects of MET determination. The claim related to consultations with the Advisory Committee of Member States, namely the information transmitted to that committee in the course of the current investigation. The issue has been explained in two letters sent to the party and it was subject to several exchanges with the Hearing Officer. In this respect it has to be noted that pursuant to Article 19(5) of the basic Regulation exchanges of information relating to consultations made with the Advisory Committee of Member States shall not be divulged except as specifically provided for in the basic Regulation. Consequently, the provisions in force do not allow granting parties any access to the exchanges between the Commission and the Member States.

- (13) The same party made certain claims related mainly to the issue of distortions on the market of raw materials. It was claimed that the stainless steel billets purchased on the PRC domestic market accounted for a portion only of the purchases of raw materials during the IP. In this regard, it is noted first and foremost that Article 2(7)(c) of the basic Regulation does not establish any threshold with regard to the proportion of raw materials purchases that would have to be affected by distortions. Article 2(7)(c) of the basic Regulation stipulates that costs of major inputs have to substantially reflect market values. Most importantly, however, the Commission explained that the distortions on the raw material market in the PRC concerned the main raw materials used in the production of seamless stainless steel pipes and tubes and not only billets. The main raw materials used in the production of seamless stainless steel pipes and tubes are stainless steel billets, ingots and round bars which represent more than 50 % of the cost of production of the product concerned. Those raw materials collectively fall under HS Code 7218 10 (ingots and other primary forms of stainless steel). They are all subject to a 15 % export tax and are not subject to any refund of the 17 % VAT when exported. It is in this regard that distortions have been established leading to the conclusion that criterion 1 of the MET evaluation was not met by any of the sampled PRC exporting producers. For the company concerned, the raw materials used for the production of the product concerned purchased on the PRC domestic market

⁽¹⁾ Inter alia, www.meps.co.uk

account for a substantial part — around 30 % of purchases. It should be noted in addition that another major part is imported from related companies.

When focussing specifically on purchases from unrelated suppliers, even 56 % have been purchased domestically. Consequently, contrary to the party's claim, there was no misrepresentation of facts as far as the MET determination was concerned, neither in the communication with that party nor in the consultation process with the Advisory Committee, which was informed about all the arguments submitted. Consequently, the claim has to be rejected.

- (14) One company claimed that the decision to deny MET should be individual and company specific whereas in the present case the institutions extended the general findings at the country level to individual producers. This argument cannot be accepted; indeed the analysis made by the institutions has been made individually for each sampled producer. It is true that the institutions have reached the same conclusion for the three of them but this is due to the fact that there is State interference in the decision-making process of each of them, as explained in the provisional Regulation.
- (15) Having regard to the above, the finding that all MET claims should be denied, as established in recitals 21 to 43 of the provisional Regulation, is hereby confirmed.

2. Normal value

(a) *Analogue country*

- (16) One party claimed that the USA should have been used as an analogue country. In this respect it has to be noted that the grounds for the decision not to use USA as an analogue country have been thoroughly laid down in recitals 46 to 48 of the provisional Regulation. In view of the fact that the party did not substantiate its claim and did not provide any additional arguments which could alter the findings with regard to the USA as a possible analogue country, the claim has to be rejected.
- (17) At the same time it has to be stressed that the Commission continued efforts to obtain cooperation from an appropriate analogue country. Further to efforts referred to in recital 47 of the provisional Regulation the Commission contacted producers in Brazil, Canada, Malaysia, Mexico, South Africa, South Korea, Taiwan and Ukraine. Altogether 46 companies have been contacted, but no cooperation could be obtained.
- (18) Having regard to the above, the provisional conclusion that the normal value should be based on prices actually

paid or payable in the Union for the like product, duly adjusted if necessary to include a reasonable profit, as set out in recital 51 of the provisional Regulation, is hereby confirmed.

(b) *Determination of normal value*

- (19) As detailed in recitals 49 to 51 of the provisional Regulation the normal value is based on prices actually paid or payable in the Union for the like product, duly adjusted if necessary to include a reasonable profit, of the closest resembling product types having the same diameter, steel grade and product type (e.g. cold or hot drawn).
- (20) Parties' comments relating to prices actually paid or payable in the Union and well as those concerning adjustments (such as level of trade and quality perception) have been addressed in recitals 45 and 46 below.
- (21) One company claimed that the normal value could be constructed on the basis of import prices of the stainless steel hollows into the US from the EU or into the EU by the Union producers. This claim has not been further substantiated. The company presented no arguments with regard to how such construction would be better suited for the determination of the normal value than the method used in the provisional Regulation. In particular it has not been substantiated why it would be more suitable to construct normal value on the basis of prices of hollows rather than basing it on prices of the Union industry for the like product.
- (22) Furthermore, it has not been substantiated why the EU exports to the US should be considered. This alternative appears not suitable in particular in view of the fact that all cooperating US producers rely on imports from their EU parent companies as already mentioned in recital 48 of the provisional Regulation. Further, the high processing cost in the USA as stated in recital 48 of the provisional Regulation — the very reason why USA has been considered inappropriate as an analogue country — would make the method suggested not suitable.
- (23) As far as exports from the US to the EU are concerned, this question has been dealt with explicitly in recital 49 of the provisional Regulation. It was considered that the US export prices would be tainted by the high production costs and that the volumes of such exports were very limited.

- (24) The same company proposed to construct the normal value on the basis of the actual import prices of the stainless steel hollows by Union producers. However, the EU producer importing hollows from India into the EU, as mentioned in the complaint, does not cooperate in the current investigation. Neither do any of the sampled Union producers import hollows from any country outside the EU. Therefore, the proposed methodology cannot be used.
- (25) Having regard to the above, the determination of normal value as set out in recitals 49 to 51 of the provisional Regulation is hereby confirmed.

3. Export price

- (26) One party reiterated its claim that the date of order rather than the date of invoicing should be considered as being the date of sale to ensure a fair comparison. This claim has been made with reference to Article 2(10)(j) of the basic Regulation. As already explained to the party concerned during the hearing with the Hearing Officer held on 11 March 2011, the provision in question specifically refers to currency conversions, i.e. exchange rates applicable when the price comparison requires a conversion of currencies. Consequently, the reference to the dates of purchase orders concerns currency conversions in the framework of fair comparison between export price and normal value and does not relate to the turnover and the volume of export sales to the EU during the IP.
- (27) In all cases the product concerned was exported to independent customers in the Union and, therefore, the export price was established in accordance with Article 2(8) of the basic Regulation, namely on the basis of export prices actually paid or payable. Therefore, recital 52 of the provisional Regulation is hereby confirmed.

4. Comparison

- (28) As stated in recital 20 above, the parties' comments relating to the prices actually paid or payable in the Union as well as those concerning adjustments (such as level of trade and quality perception) have been addressed in recitals 45 and 46 below.
- (29) One party contested the method of comparing the export price and normal value based on three specific parameters (diameter, steel grade and product type (e.g. cold or hot drawn)). The party claimed that comparisons should have been conducted at the level of greater detail, i.e. taking into other parameters as well, notably wall thickness, length and testing.
- (30) The Commission services indeed collected information in relation to a number of parameters including the length, wall thickness and testing.

- (31) According to Article 2(11) of the basic Regulation, the dumping margin is normally established on the basis of a comparison of weighted average normal value with a weighted average of prices of all export transactions. Article 2(11) of the basic Regulation requires that dumping calculations should be based on 'all export transactions to the Community' but they should be 'subject to the relevant provisions governing fair comparison'. The company referred to the so-called product control number and the parameters contained therein. In this regard, it has to be noted that the product control number is a tool used in the investigation in order to structure and organise the substantial amounts of very detailed data submitted by the companies. It is an aid to conduct a more detailed analysis of different product characteristics within the category of the product concerned and the like product. The comparison was based on the most pertinent characteristics in order to ensure a fair comparison.
- (32) Following the company's claim, the Commission explained in a letter that the wall thickness of a pipe was proportionally linked to its weight and was thus indirectly covered by the comparison. Other characteristics, such as testing, have minor effects on the comparison. For example, nearly all products concerned are subject to standard test applications.
- (33) It has to be stressed that, contrary to that party's claims, the Commission did not disregard any information. However, it is not uncommon that certain parameters used in the product control number have a lesser weight and that specific parameters more than others form a better basis for fair comparison. No pipes have been disregarded from the comparison on the basis of physical differences or for any other reasons nor have any new product types been created. On the contrary, all sales were included in the comparison, regardless of the diameter or length of the pipe.
- (34) The company further submitted that the approach used by the Commission prevented it from making a claim for adjustments for physical characteristics. This claim, again, has been based on the fact that the Commission conducted the comparison on the basis of three parameters and not more and has already been addressed above in recitals 31 et seq.
- (35) As far as the procedural angle of the issue of comparison is concerned, also raised by the same party, it has to be noted that the company had full opportunity to comment on the calculations performed in its individual case. Full details of those calculations have been disclosed on the day of publication of the provisional Regulation. The company commented on the issue of parameters

used in comparison in a letter of 11 July 2011 requesting further clarifications. A reply has been provided by the Commission services on 19 July 2011. The company then reiterated its arguments in a letter of 29 July 2011. While the company disagreed with the basis for comparison, it repeatedly claimed that parameters like wall thickness, length or testing had an impact on prices. As stated above, the Commission acknowledges that those parameters had some impact on prices. However, it was found more appropriate, that the calculations should be based on three most important parameters as this leads to the highest level of matching and at the same time to the possibility to find matching sales for all export transactions.

- (36) The company claimed that it was prevented from presenting claims for adjustment. This argument has to be rejected. The opportunities to present claims existed throughout the course of the proceeding, not least at the time of disclosure of provisional findings when the company became fully aware of all the details of the calculations.
- (37) One party claimed that applying production costs of smaller diameters to the larger ones did not reflect the actual costs, because the costs for larger diameter were much higher. However, the party did not provide any alternative nor did it substantiate its claim. Consequently, in view of the fact that no alternative method has been presented, the method used is considered to be the most reasonable.
- (38) One company claimed that the number of adjustments (the fact that the Commission used three parameters and not more, the quality perception and level of trade adjustments) suggest that the products of the Union producers are hardly comparable to the imported PRC products. In this regard it is noted that the mere fact that the institutions perform adjustments is an inherent part of any dumping calculation. Those adjustments are foreseen in the basic Regulation and therefore as such do not call into question the comparability between product concerned and the like product. In fact the high matching ratio confirms that the product concerned and the like product are fully comparable.
- (39) Having regard to the above, the findings in recitals 53 and 54 of the provisional Regulation are hereby confirmed.

5. Dumping margins

- (40) One party claimed that due to a high fluctuation of the nickel price, the dumping margin should have been calculated on a quarterly basis. In this respect it is

noted that in the present case the comparison between export price and normal value is not a comparison between prices and costs, but only between weighted average sales prices (normal value was established on the basis of the sales prices of EU industry). Furthermore, the increase in nickel prices was an increase in world market prices and therefore was not an isolated PRC phenomenon. The increase affected at most 3 months of the IP, while the sales of the product concerned took place throughout the full IP. Furthermore, changes in raw material prices must be considered as a normal part of the business operations. The increasing nickel prices should be affecting both the Union and PRC producers equally, as nickel is quoted on the London Metal Exchange. Any differences would be due to the distortion on raw material prices in the PRC and should therefore not be taken into account in the calculation. Consequently, the claim has to be rejected and comparison based on the annual average PRC export prices with annual average EU prices, duly adjusted to include a reasonable profit margin. This claim was therefore rejected.

- (41) One PRC producer made a substantiated claim that the computation of adjustments in its individual dumping calculation was inaccurate. The Commission accepted this claim and performed a new calculation, which resulted in a dumping margin of 83,7 %. Apart from this change the findings in recitals 55 to 61 of the provisional Regulation are hereby confirmed. The revised dumping margins are as follows:

| | Definitive dumping margins |
|--|----------------------------|
| Changshu Walsin Specialty Steel, Co. Ltd, Haiyu | 83,7 % |
| Shanghai Jinchang Stainless Steel Tube Manufacturing, Co. Ltd, Situan | 62,6 % |
| Wenzhou Jiangnan Steel Pipe Manufacturing, Co. Ltd, Yongzhong | 67,1 % |
| Sample weighted average for the cooperating exporting producers not included in the sample and listed in Annex I | 71,5 % |
| All other companies | 83,7 % |

E. INJURY

1. Union industry

- (42) With regard to the definition of the Union industry and the representativity of the sample of Union producers, no claims have been received following provisional disclosure. Therefore, recitals 62 and 63 of the provisional Regulation are hereby confirmed.

2. Union consumption

- (43) In respect of the Union consumption, no claims have been received. Therefore, recitals 64 to 66 of the provisional Regulation are hereby confirmed.

3. Imports from the country concerned

- (44) Concerning the provisional findings relating to volume, market share and price evolution of dumped imports, no claims have been submitted by the interested parties. Therefore, recitals 67 to 69 of the provisional Regulation are hereby confirmed.

Price undercutting

- (45) With regard to the calculation of price undercutting by imports from the PRC, both the PRC exporting producers and the Union industry requested further information concerning the method of determining certain adjustments (such as post importation costs, level of trade and market perception of quality) that had been applied in the calculation. The Commission accommodated these requests by disclosing how those adjustments were determined while at the same time ensuring compliance with the rules of confidentiality.

- (46) Following the comments of a PRC producer, a minor correction was made in the calculation of price undercutting, as in the provisional calculation the level of trade adjustment included also a part of post importation costs which had at the same time been covered by a separate adjustment for all post importation costs. The correction resulted in a change of less than one percentage point in the undercutting margins and injury elimination level (for the revision of the injury elimination level see recitals 82 and 83 below) in comparison to the provisional stage.

- (47) Apart from the changes mentioned above and in the absence of any comments, recitals 70 and 71 of the provisional Regulation are hereby confirmed.

4. Economic situation of the Union industry

- (48) Following provisional disclosure, some PRC exporting producers claimed that certain indicators should be excluded from the injury analysis. Notably, they stated that production and capacity utilisation fell at the same rate as did Union consumption, alleging that for this reason those indicators should not be considered as factors in the material injury analysis. A similar claim

was made with regard to the drop in Union sales which allegedly occurred also at a rate comparable to the reduction of consumption.

- (49) In this context it should first be noted that according to Article 3(5) of the basic Regulation, 'all economic factors and indices having a bearing on the state of the industry' should be examined in an injury analysis. As regards the potential effects of any other factors than dumped imports that may have contributed to the injury, those are addressed under Chapter F. Causation, in particular under the point concerning the effects of any other factors (see recitals 59 to 69 below).

- (50) In the absence of any other comments, recitals 72 to 89 of the provisional Regulation are hereby confirmed.

5. Conclusion on injury

- (51) In the absence of any other comments, recitals 90 to 92 of the provisional Regulation are hereby confirmed.

F. CAUSATION

1. Effects of the dumped imports and of the economic downturn

- (52) Some parties reiterated their claims submitted during the provisional stage that a substantial part of the material injury experienced by the Union industry should be attributed to factors other than dumped imports.

- (53) In this context, following the provisional disclosure, some PRC exporting producers alleged in particular that a substantial part of the loss of sales volume and market share was due to falling demand resulting from the economic crisis rather than to dumped imports from the PRC. They further alleged that the comparable decrease in the prices of PRC imports and of the Union industry during the period considered (by 9 % and 8 %, respectively) also indicated that the falling prices of the Union industry was purely due to the reduced market demand rather than to the effect of dumped imports.

- (54) Firstly, it should be noted that it is recognised in recitals 103 to 106 of the provisional Regulation that the economic downturn and the resulting contraction in demand had a negative effect on the state of the Union industry and that, as such, may have contributed to the injury suffered by the Union industry. However, this does not diminish the injurious effect of the low priced and dumped PRC imports which have considerably increased their share in the Union market during the period considered.

- (55) As explained in recitals 104 and 105 of the provisional Regulation, the effect of dumped imports is actually much more detrimental in a period of falling demand than during years of rapid growth. PRC imports appear to have continuously undercut the Union prices throughout the period considered. In addition, in the IP the price undercutting was in the range of between 21 % and 32 %, and PRC imports represented more than 18 % of the Union market share, as a result of a substantial gain of 7,9 percentage points over the period considered. Therefore, while PRC imports exerted an evident price pressure that prevented the Union industry from setting cost-covering (not to mention profitable prices), at the same time the increased volume and market share of those imports also made it impossible for the Union industry to aim at higher volumes of production, capacity utilisation and sales, particularly with regard to more commodity-type products mainly sold via distributors.
- (56) Secondly, drawing conclusions solely based on selected injury indicators such as sales volume and market share, or sales prices only, would distort the analysis in this case. For instance, the losses in sales volume and market share were combined, inter alia, with severe profitability deterioration and were due, to a large extent, to the price pressure from the dumped imports. As concerns specifically the question of market share, the Union industry lost 3,6 percentage points to the PRC imports during the period considered. Finally, again in view of the rate of undercutting and the increase of PRC imports in both relative and absolute terms, by no means can be concluded that the reduction of the prices of Union producers was unrelated to the price levels of the dumped imports.
- (57) In the light of the above, the causal link between dumped imports and the material injury found is herewith confirmed on the basis of the combined existence of substantial volume and price pressure exerted by the PRC imports on the Union industry.
- (58) In the absence of any other comments, recitals 94 to 96 of the provisional Regulation are hereby confirmed.
- 2. Effects of any other factors**
- (59) With regard to the effect of other third country imports to the Union, some PRC exporting producers claimed that 1,0 of the 3,6 percentage points of market share loss of the Union industry should have been attributed to imports from Japan and India. However, as a matter of fact the PRC imports gained market share at the expenses of both other imports and the Union industry. The increase of PRC market share of 7,9 percentage points can be divided into the 3,6 percentage points loss of Union industry market share and the 4,3 percentage points loss of market share of other imports.
- (60) The same PRC exporting producers stated that the average prices of imports of some selected other third countries, notably Ukraine, India and the USA, had also seriously decreased which could have caused injury to the Union industry. In this regard it is noted, however, that overall, the average price of imports from all countries other than the PRC have actually increased by 34 % during the period considered. As already stated in recital 100 of the provisional Regulation, the average import price from the USA had largely exceeded the prices on the Union market. As also emphasised in that same recital, the market share of imports from Ukraine lessened while the American and Indian market shares remained basically stable. Nevertheless, on the basis of Eurostat data on those imports, it cannot be concluded that imports from other third countries would have played a significant role in the deterioration of the state of the Union industry, thereby breaking the causal link established between the dumped PRC imports and the injury.
- (61) In the absence of any other comments regarding the findings set out in recitals 97 to 102 of the provisional Regulation, those findings are hereby confirmed.
- (62) As concerns the effect of the economic downturn, the reasons why the economic downturn cannot be considered an element to break the causal link are analysed in recitals 52 to 58 above. As none of the submitted comments indicated the opposite, the findings set out in recitals 103 to 106 of the provisional Regulation are hereby maintained.
- (63) As for the export performance of the Union industry, in the absence of any comments regarding the findings in recitals 107 and 108 of the provisional Regulation, those findings are hereby confirmed.
- (64) A number of PRC exporting producers claimed that the 18 % increase in the unit cost of production described in recital 109 of the provisional Regulation played an important role in the deterioration of the profitability of the Union industry rather than dumped imports, and requested a more detailed analysis of the effect of that unit cost increase.

(65) The Commission examined the issue and found that the increase in the unit cost of production can be attributed to: higher manufacturing costs as a result of higher raw material prices, as well as to fixed costs such as direct labour, depreciation, manufacturing overheads and SG&A costs, and also to the rapid drop in production.

(66) Given that the raw material cost fluctuation is to a large extent covered by the price setting mechanism of the Union industry — the so-called ‘alloy surcharge’ mechanism directly links prices to the quotation of the most important raw materials such as nickel, molybdenum and chromium — its impact on the profitability is unlikely to be significant. However, the other elements, related to the insufficient production and sales volumes, had a direct effect on the profitability levels. As the production and sales volumes of the Union industry would have been significantly higher in the absence of dumped imports, it cannot be concluded that the increase in the unit cost of production in itself is a major factor leading to the injury rather than dumped imports, as it is inextricably linked to the augmented volume of dumped imports.

(67) Some PRC exporting producers also submitted that the Union industry’s failure to restructure despite the falling consumption may have been an important factor leading to the injury established.

(68) In this respect it should first be noted that the Union industry had to cope with not only the effect of falling consumption in itself but with the impact of dumped imports in a period of falling consumption. Nonetheless, the investigation has shown that the Union industry (i) maintained its production capacity in the expectation of the temporary nature of the crisis and of a forthcoming recovery, and cannot be expected to adapt capacity because of the increasing volumes of PRC imports made at abnormally low, dumped prices, (ii) continuously developed its product mix with a focus on higher value specialised products where PRC competition is less prominent and (iii) reduced its workforce by 8 % and cut the average labour cost per employee by 2 % in the period considered (if these reductions are viewed only in the crisis period, i.e. between 2008 and the IP, they amount to as much as 19 and 11 percentage points, respectively). All these elements show that the Union industry was very active in taking measures in an attempt to respond to the negative effects deriving from the injury suffered. However, the above steps proved to be insufficient to counteract the injurious effects of dumped imports in a period of weak demand.

(69) In the absence of any other comments, recitals 109 and 110 of the provisional Regulation are hereby confirmed.

3. Conclusion on causation

(70) None of the arguments submitted by the interested parties demonstrates that the impact of factors other than dumped imports from the PRC is such as to break the causal link between the dumped imports and the material injury established. In the light of the foregoing it is concluded that the dumped imports from the PRC caused material injury to the Union industry within the meaning of Article 3(6) of the basic Regulation.

(71) Therefore the conclusions on causation in the provisional Regulation, as summarised in the recitals 111 to 113 thereof, are hereby confirmed.

G. UNION INTEREST

(72) In view of parties’ comments, the Commission continued its analysis pertaining to the Union interest.

1. Interest of the Union industry

(73) Regarding the interest of the Union industry, no further comments or information was received. Therefore the findings in recitals 116 to 120 of the provisional Regulation are hereby confirmed.

2. Interest of unrelated importers in the Union

(74) In the absence of any comments on this point, recitals 121 to 123 of the provisional Regulation are hereby confirmed.

3. Interest of the users

(75) After the imposition of provisional measures, a user company that had not cooperated submitted comments with regard to the Union interest. Notably, the user argued that the impact of the anti-dumping measures will be significant on the company. It stated that stainless steel tubes are a critical component for several downstream products including those manufactured by that user (e.g. heat exchangers), and that there was also an additional concern of security of supply in view of the delays the company had experienced in respect of certain deliveries made by Union producers.

(76) However, given that this user only purchases 5 % of their stainless steel pipes and tubes from China, the possible impact on this company would appear limited, both in terms of costs and security of supply.

- (77) As concerns the alleged cost impact in particular, the company failed to substantiate this claim with actual data. Furthermore, it is recalled that, as set out in recitals 124 and 125 of the provisional Regulation, the cost impact on the sole fully cooperating user was considered to be insignificant, both with regard to the whole company and to its division using stainless steel tubes.
- (78) As regards the issue of security of supply raised by the user, it should be recalled that there is a large number of third countries other than the PRC that continue to import stainless steel tubes into the Union. In addition, as the Union industry remains the most important supplier of the product, their continued existence is critical also for the user industry.
- (79) Although at provisional stage it was also considered that the anti-dumping measures may have a more serious impact on those users that use substantial quantities of stainless steel tubes imported from the PRC for manufacturing their downstream products (see recital 126 of the provisional Regulation), in view of the lack of any substantiated claim or any new information following provisional disclosure, it can be concluded that the essential benefits of the Union industry from the imposition of anti-dumping measures appear to outweigh the expected negative impacts on such users. Therefore the findings with regard to the interest of users as laid down in recitals 124 to 130 of the provisional Regulation are hereby confirmed.

4. Conclusion on Union interest

- (80) On the basis of the above, it is definitively concluded that on balance, no compelling reasons exist against the imposition of definitive anti-dumping duties on imports of the product concerned originating in the PRC. Therefore the conclusions in recitals 131 and 132 of the provisional Regulation are hereby confirmed.

H. DEFINITIVE MEASURES

1. Injury elimination level

- (81) The complainants argued that the 5 % target profit, as established at the provisional stage, was excessively low and it reiterated the view that a level of 12 % would be justified, in view of the fact that the industry at hand is capital intensive and necessitates permanent technical improvements and innovation updates, consequently substantial investments. The complainants argued that such a profitability level would be needed to generate sufficient return on capital and allow for those investments. However, the above claim was not convincingly substantiated by actual figures. Therefore it is concluded that the 5 % profit margin established at the provisional stage should be maintained.

- (82) As regards the determination of the injury elimination level, as already stated in recital 45 above, the small correction with regard to the adjustment for the level of trade that affected the calculation of price undercutting was also applied in the calculation of the injury elimination level.
- (83) The above change led to a minor revision of the injury elimination level. As a result, the injury elimination level is in the range between 48,3 % and 71,9 %, as shown in the table below:

| Company/companies | Injury elimination level |
|--|--------------------------|
| Changshu Walsin Specialty Steel, Co. Ltd, Haiyu | 71,9 % |
| Shanghai Jinchang Stainless Steel Tube Manufacturing, Co. Ltd, Situan | 48,3 % |
| Wenzhou Jiangnan Steel Pipe Manufacturing, Co. Ltd, Yongzhong | 48,6 % |
| Sample weighted average for the cooperating exporting producers not included in the sample and listed in Annex I | 56,9 % |
| All other companies | 71,9 % |

- (84) One PRC exporting producer claimed that due to the injury caused by the economic crisis, the injury margin should be based on price undercutting rather than price underselling, claiming that this method had been followed in a number of anti-dumping proceedings⁽¹⁾. However, in all the investigations cited by the exporting producer, there were particular reasons regarding the industry or the economic sector (such as the threat of creating a monopoly, a substantial capacity

⁽¹⁾ Commission Regulation (EC) No 2376/94 of 27 September 1994 imposing a provisional anti-dumping duty on imports of colour television receivers originating in Malaysia, the People's Republic of China, the Republic of Korea, Singapore and Thailand (OJ L 255, 1.10.1994, p. 50). Commission Regulation (EEC) No 129/91 of 11 January 1991 imposing a provisional anti-dumping duty on imports of small-screen colour television receivers originating in Hong Kong and the People's Republic of China (OJ L 14, 19.1.1991, p. 31). Commission Decision 91/392/EEC of 21 June 1991 accepting undertakings given in connection with the anti-dumping proceeding concerning imports of certain asbestos cement pipes originating in Turkey, and terminating the investigation (OJ L 209, 31.7.1991, p. 37). Commission Regulation (EEC) No 2686/92 of 16 September 1992 imposing a provisional anti-dumping duty on imports of certain types of electronic microcircuits known as DRAMs (dynamic random access memories) originating in the Republic of Korea (OJ L 272, 17.9.1992, p. 13) and Council Regulation (EC) No 1331/2007 of 13 November 2007 imposing a definitive anti-dumping duty on imports of dicyandiamide originating in the People's Republic of China (OJ L 296, 15.11.2007, p. 1).

increase of the Union industry in a mature market, the long-term absence of profits of the industry on a global scale) which supported the exceptional application of this particular methodology. In the current investigation this is not the case, as the economic crisis affected the global economy as such, and can therefore not be considered to be specific to the industry producing seamless pipes and tubes of stainless steel.

2. Definitive measures

- (85) In view of the conclusions reached with regard to dumping, injury, causation and Union interest, and in accordance with Article 9(4) of the basic Regulation, a definitive anti-dumping duty should be imposed on the product concerned at the level of the lower of the dumping and injury margins found, in accordance with the lesser duty rule. In this case, as the injury elimination levels are lower than the dumping margins established, the definitive measures should be based on the injury elimination levels.
- (86) On the basis of the above, the duty rates, expressed as a percentage of the CIF Union frontier price, duty unpaid, are:

| Company/companies | Definitive anti-dumping duty rate |
|--|-----------------------------------|
| Changshu Walsin Specialty Steel, Co. Ltd, Haiyu | 71,9 % |
| Shanghai Jinchang Stainless Steel Tube Manufacturing, Co. Ltd, Situan | 48,3 % |
| Wenzhou Jiangnan Steel Pipe Manufacturing, Co. Ltd, Yongzhong | 48,6 % |
| Sample weighted average for the cooperating exporting producers not included in the sample and listed in Annex I | 56,9 % |
| All other companies | 71,9 % |

- (87) The individual company anti-dumping duty rates specified in this Regulation were established on the basis of the findings of the present investigation. Therefore, they reflect the situation found during that investigation with respect to the companies concerned. These duty rates (as opposed to the country-wide duty applicable to 'all other companies') are thus exclusively applicable to imports of products originating in the PRC and produced by the companies and thus by the specific legal entities mentioned. Imported products produced by any other company not specifically mentioned in the operative part of this Regulation with its name and address, including entities related to those specifically

mentioned, cannot benefit from these rates and shall be subject to the duty rate applicable to 'all other companies'.

- (88) In order to minimise the risks of circumvention due to the high difference in the duty rates, it is considered that special measures are needed in this case to ensure the proper application of the anti-dumping duties. These special measures include the presentation to the Customs authorities of the Member States of a valid commercial invoice, which shall conform to the requirements set out in Annex II to this Regulation. Imports not accompanied by such an invoice shall be made subject to the residual anti-dumping duty applicable to all other exporters.
- (89) Should the exports by one of the companies benefiting from lower individual duty rates increase significantly in volume after the imposition of the measures concerned, such an increase in volume could be considered as constituting in itself a change in the pattern of trade due to the imposition of measures within the meaning of Article 13(1) of the basic Regulation. In such circumstances and provided the conditions are met, an anti-circumvention investigation may be initiated. This investigation may, *inter alia*, examine the need for the removal of individual duty rate(s) and the consequent imposition of a country-wide duty.
- (90) Any claim requesting the application of an individual company anti-dumping duty rate (e.g. following a change in the name of the entity or following the setting up of new production or sales entities) should be addressed to the Commission ⁽¹⁾ forthwith with all relevant information, in particular any modification in the company's activities linked to production, domestic and export sales associated with, for example, that name change or that change in the production and sales entities. If appropriate, the Regulation will then be accordingly amended by updating the list of companies benefiting from individual duty rates.
- (91) All parties were informed of the essential facts and considerations on the basis of which it was intended to recommend the imposition of a definitive anti-dumping duty on imports of certain seamless pipes and tubes of stainless steel originating in the PRC. They were also granted a period of time within which they could make representations subsequent to the final disclosure.
- (92) The comments submitted by the interested parties were duly considered. None of the comments was such as to alter the findings of the investigation.

⁽¹⁾ European Commission, Directorate-General for Trade, Directorate H, Office N105 04/092, 1049 Bruxelles/Brussel, BELGIQUE/BELGIË.

- (93) In order to ensure a proper enforcement of the anti-dumping duty, the country-wide duty level should not only apply to the non-cooperating exporting producers but also to those producers which did not have any exports to the Union during the IP.
- (94) In order to ensure equal treatment between any new exporters and the cooperating companies not included in the sample, mentioned in Annex I to this Regulation, provision should be made for the weighted average duty imposed on the latter companies to be applied to any new exporters which would otherwise be entitled to a review pursuant to Article 11(4) of the basic Regulation as that Article does not apply where sampling has been used.

3. Definitive collection of provisional duties

- (95) In view of the magnitude of the dumping margins found and given the level of the injury caused to the Union industry (the definitive duty imposed by this Regulation having been set at a level higher than the provisional duty imposed by the provisional Regulation), it is considered necessary that the amounts secured by way of the provisional anti-dumping duty imposed by the provisional Regulation should be definitively collected,

HAS ADOPTED THIS REGULATION:

Article 1

1. A definitive anti-dumping duty is hereby imposed on imports of seamless pipes and tubes of stainless steel (excluding such pipes and tubes with attached fittings suitable for conducting gases or liquids for use in civil aircraft), currently falling within CN codes 7304 11 00, 7304 22 00, 7304 24 00, ex 7304 41 00, 7304 49 10, ex 7304 49 93, ex 7304 49 95, ex 7304 49 99 and ex 7304 90 00 (TARIC codes 7304 41 00 90, 7304 49 93 90, 7304 49 95 90, 7304 49 99 90 and 7304 90 00 91), and originating in the People's Republic of China (PRC).

2. The rate of the definitive anti-dumping duty applicable to the net, free-at-Union-frontier price, before duty, of the product described in paragraph 1 and manufactured by the companies listed below shall be as follows:

| Company/companies | Definitive anti-dumping duty rate | TARIC additional code |
|---|-----------------------------------|-----------------------|
| Changshu Walsin Specialty Steel, Co. Ltd, Haiyu | 71,9 % | B120 |
| Shanghai Jinchang Stainless Steel Tube Manufacturing, Co. Ltd, Situan | 48,3 % | B118 |
| Wenzhou Jiangnan Steel Pipe Manufacturing, Co. Ltd, Yongzhong | 48,6 % | B119 |

| Company/companies | Definitive anti-dumping duty rate | TARIC additional code |
|-----------------------------|-----------------------------------|-----------------------|
| Companies listed in Annex I | 56,9 % | |
| All other companies | 71,9 % | B999 |

3. The application of the individual duty rates specified for the companies mentioned in paragraph 2 shall be conditional upon presentation to the customs authorities of the Member States of a valid commercial invoice, which shall conform to the requirements set out in Annex II. If no such invoice is presented, the duty applicable to all other companies shall apply.

4. Unless otherwise specified, the provisions in force concerning customs duties shall apply.

Article 2

The amounts secured by way of provisional anti-dumping duties pursuant to Regulation (EU) No 627/2011 on imports of seamless pipes and tubes of stainless steel (excluding such pipes and tubes with attached fittings suitable for conducting gases or liquids for use in civil aircraft), currently falling within CN codes 7304 11 00, 7304 22 00, 7304 24 00, ex 7304 41 00, 7304 49 10, ex 7304 49 93, ex 7304 49 95, ex 7304 49 99 and ex 7304 90 00 and originating in the PRC, shall be definitively collected.

Article 3

Where any new exporting producer in the PRC provides sufficient evidence to the Commission that:

- it did not export to the Union the product described in Article 1(1) during the investigation period (1 July 2009 to 30 June 2010),
- it is not related to any of the exporters or producers in the PRC which are subject to the measures imposed by this Regulation,
- it has actually exported to the Union the product concerned after the investigation period on which the measures are based, or it has entered into an irrevocable contractual obligation to export a significant quantity to the Union,

the Council, acting by simple majority on a proposal submitted by the Commission after consulting the Advisory Committee, may amend Article 1(2) by adding the new exporting producer to the cooperating companies not included in the sample and thus subject to the weighted average duty rate of 56,9 %.

Article 4

This Regulation shall enter into force on the day following its publication in the *Official Journal of the European Union*.

This Regulation shall be binding in its entirety and directly applicable in all Member States.

Done at Geneva, on 14 December 2011.

For the Council

The President

M. NOGAJ

ANNEX I

PRC COOPERATING EXPORTING PRODUCERS NOT SAMPLED

| Name | TARIC additional code |
|---|-----------------------|
| Baofeng Steel Group, Co. Ltd, Lishui, | B236 |
| Changzhou City Lianyi Special Stainless Steel Tube, Co. Ltd, Changzhou, | B237 |
| Huadi Steel Group, Co. Ltd, Wenzhou, | B238 |
| Huzhou Fengtai Stainless Steel Pipes, Co. Ltd, Huzhou, | B239 |
| Huzhou Gaolin Stainless Steel Tube Manufacture, Co. Ltd, Huzhou, | B240 |
| Huzhou Zhongli Stainless Steel Pipe, Co. Ltd, Huzhou, | B241 |
| Jiangsu Wujin Stainless Steel Pipe Group, Co. Ltd, Beijing, | B242 |
| Jiangyin Huachang Stainless Steel Pipe, Co. Ltd, Jiangyin | B243 |
| Lixue Group, Co. Ltd, Ruian, | B244 |
| Shanghai Crystal Palace Pipe, Co. Ltd, Shanghai, | B245 |
| Shanghai Baoluo Stainless Steel Tube, Co. Ltd, Shanghai, | B246 |
| Shanghai Shangshang Stainless Steel Pipe, Co. Ltd, Shanghai, | B247 |
| Shanghai Tianbao Stainless Steel, Co. Ltd, Shanghai, | B248 |
| Shanghai Tianyang Steel Tube, Co. Ltd, Shanghai, | B249 |
| Wenzhou Xindeda Stainless Steel Material, Co. Ltd, Wenzhou, | B250 |
| Wenzhou Baorui Steel, Co. Ltd, Wenzhou, | B251 |
| Zhejiang Conform Stainless Steel Tube, Co. Ltd, Jixing, | B252 |
| Zhejiang Easter Steel Pipe, Co. Ltd, Jiaxing, | B253 |
| Zhejiang Five — Star Steel Tube Manufacturing, Co. Ltd, Wenzhou, | B254 |
| Zhejiang Guobang Steel, Co. Ltd, Lishui, | B255 |
| Zhejiang Hengyuan Steel, Co. Ltd, Lishui, | B256 |
| Zhejiang Jiashang Stainless Steel, Co. Ltd, Jiaxing City, | B257 |
| Zhejiang Jinxin Stainless Steel Manufacture, Co. Ltd, Xiping Town, | B258 |
| Zhejiang Jiuli Hi-Tech Metals, Co. Ltd, Huzhou, | B259 |
| Zhejiang Kanglong Steel, Co. Ltd, Lishui, | B260 |
| Zhejiang Qiangli Stainless Steel Manufacture, Co. Ltd, Xiping Town, | B261 |
| Zhejiang Tianbao Industrial, Co. Ltd, Wenzhou, | B262 |
| Zhejiang Tsingshan Steel Pipe, Co. Ltd, Lishui, | B263 |
| Zhejiang Yida Special Steel, Co. Ltd, Xiping Town. | B264 |

ANNEX II

A declaration signed by an official of the entity issuing the commercial invoice, in the following format, must appear on the valid commercial invoice referred to in Article 1(3):

- (1) the name and function of the official of the entity issuing the commercial invoice;
- (2) the following declaration:

'I, the undersigned, certify that the (volume) of seamless pipes and tubes of stainless steel sold for export to the European Union covered by this invoice was manufactured by (company name and registered seat) (TARIC additional code) in the People's Republic of China. I declare that the information provided in this invoice is complete and correct.

Date and signature'

effective on the date of publication of the ITC's notice of final determination in the **Federal Register**, and to require a cash deposit for each entry of subject merchandise in an amount equal to the net countervailable subsidy rates listed below. See section 706(a)(3) of the Act. The all others rate applies to all producers and exporters of subject merchandise not specifically listed.

| Exporter/Manufacturer | Net subsidy rate |
|---|------------------|
| Tianjin Pipe (Group) Corp., Tianjin Pipe Iron Manufacturing Co., Ltd., Tianguan Yuantong Pipe Product Co., Ltd., Tianjin Pipe International Economic and Trading Co., Ltd., and TPCO Charging Development Co., Ltd. | 13.66 |
| Hengyang Steel Tube Group Int'l Trading, Inc., Hengyang Valin Steel Tube Co., Ltd., Hengyang Valin MPM Tube Co., Ltd., Xigang Seamless Steel Tube Co., Ltd., Wuxi Seamless Special Pipe Co., Ltd., Wuxi Resources Steel Making Co., Ltd., Jiangsu Xigang Group Co., Ltd., Hunan Valin Xiangtan Iron & Steel Co., Ltd., Wuxi Sifang Steel Tube Co., Ltd., Hunan Valin Steel Co., Ltd., Hunan Valin Iron & Steel Group Co., Ltd. | 56.67 |
| All Others | 35.17 |

Termination of the Suspension of Liquidation

As a result of our affirmative critical circumstances finding on Hengyang and all companies other than TPCO, CBP suspended liquidation and collected cash deposits or bonds on all entries by these companies made 90 days prior to our affirmative *Preliminary Determination*. Entries for TPCO were suspended and cash deposits or bonds were collected as of March 1, 2010 (*i.e.*, the date of publication of our *Preliminary Determination*).

The Department will instruct CBP to terminate the suspension of liquidation for entries of seamless pipe from the PRC, entered or withdrawn from warehouse, for consumption prior to the

of seamless pipe from the PRC made on or after June 29, 2010, and prior to the date of publication of the ITC's final determination in the **Federal Register** are not liable for the assessment of countervailing duties because of the Department's discontinuation, effective June 29, 2010, of the suspension of liquidation.

publication of the ITC's notice of final determination. The Department will also instruct CBP to refund any cash deposits made and release any bonds with respect to entries of seamless pipe entered, or withdrawn from warehouse, for consumption on or after December 1, 2009 (*i.e.*, 90 days prior to the date of publication of the *Preliminary Determination*), but before the date of publication of the ITC's final determination in the **Federal Register**.

This notice constitutes the countervailing duty order with respect to seamless pipe from the PRC, pursuant to section 706(a) of the Act. Interested parties may contact the Department's Central Records Unit, Room 7046 of the main Commerce Building, for copies of an updated list of countervailing duty orders currently in effect.

This order is issued and published in accordance with section 706(a) of the Act, 19 CFR 351.224(e) and 19 CFR 351.211(b).

Dated: November 5, 2010
Edward C. Yang,
Acting Deputy Assistant Secretary for Import Administration.

[FR Doc. 2010-28402 Filed 11-9-10; 8:45 am]
BILLING CODE 3510-DS-P

DEPARTMENT OF COMMERCE

International Trade Administration

[A-570-956]

Certain Seamless Carbon and Alloy Steel Standard, Line, and Pressure Pipe From the People's Republic of China: Amended Final Determination of Sales at Less Than Fair Value and Antidumping Duty Order

AGENCY: Import Administration, International Trade Administration, Department of Commerce

DATES: *Effective Date:* November 10, 2010.

SUMMARY: Based on affirmative final determinations by the Department of Commerce (the "Department") and the International Trade Commission ("ITC"), the Department is issuing an antidumping duty order on certain seamless carbon and alloy steel standard, line, and pressure pipe ("seamless pipe") from the People's Republic of China ("PRC"). In addition, the Department is amending its final determination to correct certain ministerial errors.

FOR FURTHER INFORMATION CONTACT: Magd Zalok or Brandon Farlander, AD/CVD Operations, Office 4, Import Administration, International Trade Administration, U.S. Department of

Commerce, 14th Street and Constitution Avenue, NW., Washington, DC 20230; telephone: (202) 482-4162 or (202) 482-0182, respectively.

SUPPLEMENTARY INFORMATION:

Background

In accordance with sections 735(d) and 777(i)(1) of the Tariff Act of 1930, as amended ("Act"), on September 21, 2010, the Department published the final determination of sales at less than fair value in the antidumping duty investigation of seamless pipe from the PRC. See *Certain Seamless Carbon and Alloy Steel Standard, Line, and Pressure Pipe from the People's Republic of China: Final Determination of Sales at Less Than Fair Value and Critical Circumstances, in Part*, 75 FR 57449 (September 21, 2010) ("*Final Determination*"). On November 4, 2010, the ITC notified the Department of its affirmative determination of threat of material injury to a U.S. industry, and its negative determination of critical circumstances. See *Certain Seamless Carbon and Alloy Steel Standard, Line, and Pressure Pipe from China*, USITC Investigation Nos. 701-TA-469 and 731-TA-1168 (Final), USITC Publication 4190, (November 2010).

Scope of the Order

The merchandise covered by this order is certain seamless carbon and alloy steel (other than stainless steel) pipes and redraw hollows, less than or equal to 16 inches (406.4 mm) in outside diameter, regardless of wall-thickness, manufacturing process (*e.g.*, hot-finished or cold-drawn), end finish (*e.g.*, plain end, beveled end, upset end, threaded, or threaded and coupled), or surface finish (*e.g.*, bare, lacquered or coated). Redraw hollows are any unfinished carbon or alloy steel (other than stainless steel) pipe or "hollow profiles" suitable for cold finishing operations, such as cold drawing, to meet the American Society for Testing and Materials ("ASTM") or American Petroleum Institute ("API") specifications referenced below, or comparable specifications. Specifically included within the scope are seamless carbon and alloy steel (other than stainless steel) standard, line, and pressure pipes produced to the ASTM A-53, ASTM A-106, ASTM A-333, ASTM A-334, ASTM A-589, ASTM A-795, ASTM A-1024, and the API 5L specifications, or comparable specifications, and meeting the physical parameters described above, regardless of application, with the exception of the exclusion discussed below.

Specifically excluded from the scope of the order are: (1) All pipes meeting

aerospace, hydraulic, and bearing tubing specifications; (2) all pipes meeting the chemical requirements of ASTM A-335, whether finished or unfinished; and (3) unattached couplings. Also excluded from the scope of the order are all mechanical, boiler, condenser and heat exchange tubing, except when such products conform to the dimensional requirements, *i.e.*, outside diameter and wall thickness of ASTM A-53, ASTM A-106 or API 5L specifications.

The merchandise covered by the order is currently classified in the Harmonized Tariff Schedule of the United States (“HTSUS”) under item numbers: 7304.19.1020, 7304.19.1030, 7304.19.1045, 7304.19.1060, 7304.19.5020, 7304.19.5050, 7304.31.6050, 7304.39.0016, 7304.39.0020, 7304.39.0024, 7304.39.0028, 7304.39.0032, 7304.39.0036, 7304.39.0040, 7304.39.0044, 7304.39.0048, 7304.39.0052, 7304.39.0056, 7304.39.0062, 7304.39.0068, 7304.39.0072, 7304.51.5005, 7304.51.5060, 7304.59.6000, 7304.59.8010, 7304.59.8015, 7304.59.8020, 7304.59.8025, 7304.59.8030, 7304.59.8035, 7304.59.8040, 7304.59.8045, 7304.59.8050, 7304.59.8055, 7304.59.8060, 7304.59.8065, and 7304.59.8070.

Although the HTSUS subheadings are provided for convenience and customs purposes, our written description of the merchandise subject to this scope is dispositive.

Amendment to the Final Determination

On September 21, 2010, the Department published its affirmative final determination in this proceeding. See *Final Determination*. On September

21, 2010, United States Steel Corporation (“U.S. Steel”), a petitioner in the investigation, and Tianjin Pipe (Group) Corporation and Tianjin Pipe International Economic and Trading Corporation (collectively “TPCO”), a respondent in the investigation, submitted timely ministerial error allegations and requested, pursuant to 19 CFR 351.224, that the Department correct the alleged ministerial errors in the dumping margin calculations. On September 27, 2010, U.S. Steel, TPCO and Hengyang Steel Tube Group Int’l Trading Inc., Hengyang Valin Steel Tube Co., Ltd. and Hengyang Valin MPM Tube Co., Ltd. (collectively “Hengyang”), the other mandatory respondent in this investigation, filed rebuttal comments. No other interested party submitted ministerial error allegations or rebuttal comments.

After analyzing all interested party comments and rebuttals, we have determined, in accordance with section 735(e) of the Act and 19 CFR 351.224(e), that we made the following ministerial errors in our calculations for the *Final Determination* with respect to TPCO and Hengyang:

- For TPCO, we unintentionally adjusted the denominator used to calculate the ratio for market-economy purchases (“MEP”) of steel scrap, thereby resulting in an incorrect ratio for the MEP of steel scrap.
- For TPCO, we unintentionally calculated the percentage reduction to TPCO’s reported by-product offset by dividing the quantity of further processed steel scrap by the quantity of steel scrap reintroduced into production, rather than the quantity of steel scrap generated by TPCO during the period of investigation.

- For one of the three financial statements used to calculate the financial ratios for TPCO and Hengyang, we unintentionally: (1) Classified an amount for dividend income as selling, general and administrative expenses (“SG&A”) and interest, instead of excluding the dividend income from our calculation; and (2) excluded a financial expense amount, rather than including it in the SG&A and interest expense category.

For a detailed discussion of the ministerial errors alleged by U.S. Steel and the respondent, as well as the Department’s analysis, see the Memorandum to Susan H. Kuhbach, Acting Deputy Assistant Secretary for Antidumping and Countervailing Duty Operations, “Ministerial Error Memorandum, Amended Final Determination of Sales at Less Than Fair Value: Certain Seamless Carbon and Alloy Steel Standard, Line, and Pressure Pipe from the People’s Republic of China,” dated October 15, 2010 (“Ministerial Error Memorandum”).

Also, in the *Final Determination* we determined that a number of companies in addition to the mandatory respondents qualified for a separate rate. See *Final Determination* at 57452. Since the cash deposit rate for the separate rate respondents is based on the average of the margins for the mandatory respondents, and the margins for TPCO and Hengyang changed as a result of the aforementioned ministerial errors, in the amended final determination, we have revised the calculation of the dumping margin for the separate rate respondents as well. See Ministerial Error Memorandum. The amended weighted average dumping margins are as follows:

| Exporter | Producer | Weighted-Average margin percent |
|---|--|---------------------------------|
| Tianjin Pipe International Economic and Trading Corporation | Tianjin Pipe (Group) Corporation | 50.01 |
| Hengyang Steel Tube Group Int’l Trading Inc | Hengyang Valin Steel Tube Ltd., and Hengyang Valin MPM Tube Co., Ltd. | 82.24 |
| Xigang Seamless Steel Tube Co., Ltd | Xigang Seamless Steel Tube Co., Ltd., and Wuxi Seamless Special Pipe Co., Ltd. | 66.13 |
| Jiangyin City Changjiang Steel Pipe Co., Ltd | Jiangyin City Changjiang Steel Pipe Co., Ltd | 66.13 |
| Pangang Group Chengdu Iron & Steel Co., Ltd | Pangang Group Chengdu Iron & Steel Co., Ltd | 66.13 |
| Yangzhou Lontrin Steel Tube Co., Ltd | Yangzhou Lontrin Steel Tube Co., Ltd | 66.13 |
| Yangzhou Chengde Steel Tube Co., Ltd | Yangzhou Chengde Steel Tube Co., Ltd | 66.13 |
| PRC-wide Entity | | 98.74 |

Antidumping Duty Order

On November 4, 2010, in accordance with section 735(d) of the Act, the ITC notified the Department of its final determination in this investigation. In its final determination in this investigation, the ITC found that a U.S.

industry is threatened with material injury by reason of imports of seamless pipe from the PRC. According to section 736(b)(2) of the Act, duties shall be assessed on subject merchandise entered, or withdrawn from warehouse, for consumption on or after the date of

publication of the ITC’s notice of final determination if that determination is based on the threat of material injury and is not accompanied by a finding that injury would have resulted without the imposition of suspension of liquidation of entries since the

Department's preliminary determination. In addition, section 736(b)(2) of the Act requires U.S. Customs and Border Protection ("CBP") to refund any cash deposits or bonds of estimated antidumping duties posted since the preliminary antidumping determination if the ITC's final determination is threat-based. Therefore, in accordance with section 736(b)(2) of the Act and our practice, we will instruct CBP to terminate the suspension of liquidation and refund any cash deposits made and release any bonds posted for estimated antidumping duties for entries of seamless pipe from the PRC entered, or withdrawn from warehouse, for consumption on or after April 28, 2010, the date on which the Department published its *Preliminary Determination*, but before the date of publication of the ITC's final determination in the **Federal Register**. For exports from Hengyang and the PRC-wide entity, we will instruct CBP to lift suspension, release any bond or other security, and refund any cash deposit made to secure the payment of antidumping duties with respect to entries of the merchandise entered, or withdrawn from warehouse, for consumption on or after January 28, 2010 (*i.e.*, 90 days prior to the date of publication of the preliminary determination in the **Federal Register**), through April 27, 2010. Further, we will instruct CBP to continue to suspend liquidation of subject merchandise entered, or withdrawn from warehouse, for consumption on or after the date of publication of the ITC's notice of final determination. The instructions suspending liquidation will remain in effect until further notice.

In accordance with section 736(a)(3) of the Act, we will instruct CBP to require cash deposits of estimated antidumping duties. In its final determination in the companion countervailing duty ("CVD") investigation, the Department found that TPCO's and Hengyang's merchandise benefited from export subsidies.¹ Additionally, because the Department found that TPCO and Hengyang, the companies that it investigated in the CVD case, benefited from export subsidies, all other exporters have benefited from export subsidies based upon the results determined for TPCO and Hengyang. Therefore, we will instruct CBP to require an antidumping duty cash deposit equal to the weighted-

average amount by which the normal value exceeds the U.S. price for TPCO and Hengyang, as indicated in the table above, minus the amount determined to constitute an export subsidy for each company. For the separate-rate companies, we will instruct CBP to adjust the dumping margin by the amount of export subsidies included in the All Others rate from the *CVD Final*. Accordingly, as of the date of publication of the ITC's final affirmative injury determination, CBP will require, at the same time as importers would normally deposit estimated duties on this subject merchandise, a cash deposit equal to the estimated weighted-average antidumping duty margins discussed above, minus the amount determined to constitute an export subsidy. See section 735(c)(1) of the Act. The "PRC-wide" rate applies to all exporters of subject merchandise not specifically listed.

Additionally, in accordance with section 736 of the Act, the Department will also direct CBP to assess antidumping duties on all unliquidated entries of seamless pipe from the PRC entered, or withdrawn from warehouse, for consumption on or after the date on which the ITC published its notice of final determination of threat of material injury in the **Federal Register**.

This notice constitutes the antidumping duty order with respect to seamless pipe from the PRC pursuant to section 736(a) of the Act. Interested parties may contact the Department's Central Records Unit, Room 7043 of the main Commerce building, for copies of an updated list of antidumping duty orders currently in effect.

This order is published in accordance with section 736(a) of the Act and 19 CFR 351.211.

Edward C. Yang,

Acting Deputy Assistant Secretary for Import Administration.

[FR Doc. 2010-28410 Filed 11-9-10; 8:45 am]

BILLING CODE 3510-DS-P

DEPARTMENT OF COMMERCE

International Trade Administration

Initiation of Antidumping and Countervailing Duty Administrative Reviews; Correction

AGENCY: Import Administration, International Trade Administration, Department of Commerce.

SUMMARY: The Department of Commerce ("the Department") published a notice in the **Federal Register** on October 28, 2010, concerning the initiation of administrative reviews of various

antidumping and countervailing duty orders and findings with September anniversary dates. The document contained incorrect information in both the Antidumping and Countervailing Duty Proceedings table.

DATES: *Effective Date:* November 10, 2010.

FOR FURTHER INFORMATION CONTACT: Sheila E. Forbes, Office of AD/CVD Operations, Customs Unit, Import Administration, International Trade Administration, U.S. Department of Commerce, 14th Street and Constitution Avenue, NW., Washington, DC 20230, telephone: (202) 482-4697.

Background

In the **Federal Register** of October 28, 2010, 75 FR 66349, under the tables entitled "Antidumping Duty Proceedings and Countervailing Duty Proceedings," we note that the Department inadvertently listed the exporter names: Asia Pacific CIS (Wuxi) Co., Ltd., Asia Pacific CIS (Thailand) Co., Ltd., Hengtong Hardware Manufacturing (Huizhou) Co., Ltd., Taiwan Rail Company, and King Shan Wire Co., Ltd. under case numbers A-570-941 and C-570-942. For reasons explained in footnote #'s 5 & 6 in the October 28, 2010 **Federal Register** notice, the Department retracts its initiation of an administrative review of the antidumping duty order and the countervailing duty order with respect to the above referenced company names for case numbers A-570-941 and C-570-942 for the period of review 09/01/09 through 08/31/10.

Dated: November 4, 2010.

Susan H. Kubbach,

Acting Deputy Assistant Secretary for Antidumping and Countervailing Duty Operations.

[FR Doc. 2010-28408 Filed 11-9-10; 8:45 am]

BILLING CODE 3510-DS-P

DEPARTMENT OF COMMERCE

National Oceanic and Atmospheric Administration

RIN 0648-XA026

Caribbean Fishery Management Council; Public Meeting

AGENCY: National Marine Fisheries Service (NMFS), National Oceanic and Atmospheric Administration (NOAA), Commerce.

ACTION: Notice of public meetings.

SUMMARY: The Catch Share Panel of the Caribbean Fishery Management Council will hold a public meeting to discuss

¹ See *Certain Seamless Carbon and Alloy Steel Standard, Line, and Pressure Pipe from the People's Republic of China: Final Affirmative Countervailing Duty Determination, Final Affirmative Critical Circumstances Determination*, 75 FR 57444 (September 21, 2010) ("*CVD Final*").

Technology Pilot Program, which permits patent applications pertaining to environmental quality, energy conservation, development of renewable energy resources, and greenhouse gas emission reduction to be advanced out of turn for examination and reviewed earlier (accorded special status). The program is designed to promote the development of green technologies. Initially, participation was limited to applications filed before December 8, 2009. The USPTO is hereby expanding the eligibility for the pilot program to include applications filed on or after December 8, 2009. The program is also being extended until December 31, 2011. These changes will permit more applications to qualify for the program, thereby allowing more inventions related to green technologies to be advanced out of turn for examination and reviewed earlier.

DATES: *Effective Date:* November 10, 2010.

Duration: The Green Technology Pilot Program will run until December 31, 2011, except that the USPTO will accept only the first 3,000 grantable petitions to make special under the Green Technology Pilot Program in unexamined applications irrespective of the filing date of the application.

FOR FURTHER INFORMATION CONTACT: Pinchus M. Laufer and Joni Y. Chang, Senior Legal Advisors, Office of Patent Legal Administration, Office of the Associate Commissioner for Patent Examination Policy, by telephone at 571-272-7726 or 571-272-7720; or by mail addressed to: Mail Stop Comments Patents, Commissioner for Patents, P.O. Box 1450, Alexandria, VA 22313-1450.

SUPPLEMENTARY INFORMATION: The USPTO published a notice for the implementation of the Green Technology Pilot Program on December 8, 2009. *See Pilot Program for Green Technologies Including Greenhouse Gas Reduction*, 74 FR 64666 (December 8, 2009), 1349 *Off. Gaz. Pat. Office* 362 (December 29, 2009) (*Green Technology Notice*). The pilot program is designed to promote the development of green technologies. The *Green Technology Notice* indicated that an applicant may have an application advanced out of turn and reviewed earlier (accorded special status) for examination, if the application pertained to green technologies including greenhouse gas reduction (applications pertaining to environmental quality, energy conservation, development of renewable energy resources or greenhouse gas emission reduction) and met other requirements specified in the *Green Technology Notice*. The USPTO

published a notice eliminating the classification requirement of the Green Technology Pilot Program on May 21, 2010. *See Elimination of the Classification Requirement in the Green Technology Pilot Program*, 75 FR 28554 (May 10, 2010), 1355 *Off. Gaz. Pat. Office* 188 (June 15, 2010).

The *Green Technology Notice* required *inter alia* that an application be filed before December 8, 2009, the date of the original notice, to participate in the program. The *Green Technology Notice* also established that the program would run for twelve months from December 8, 2009. The USPTO is hereby expanding the eligibility for the pilot program to include unexamined non-reissue non-provisional utility applications filed on or after December 8, 2009. The USPTO is also extending the pilot program through December 31, 2011. Specifically, the Green Technology Pilot Program will run until 3,000 petitions have been granted (as set forth in the *Green Technology Notice*) or until December 31, 2011, whichever occurs earlier. Accordingly, if fewer than 3,000 grantable petitions are received, the pilot program will end on December 31, 2011. These changes will permit more applications to qualify for the pilot program, thereby allowing more inventions related to green technologies to be advanced out of turn for examination and reviewed earlier. Information concerning the number of petitions that have been filed and granted under the Green Technology Pilot Program is available on the USPTO's Internet Web site at http://www.uspto.gov/patents/init_events/green_tech.jsp. The USPTO may again extend the pilot program (with or without modifications) depending on the feedback from the participants and the effectiveness of the pilot program.

Applicants whose petitions were dismissed or denied solely on the basis that their applications were not filed before December 8, 2009, may file a renewed petition. If the renewed petition is filed within one month of the publication date of this notice, it will be given priority as of the date applicant filed the initial petition.

Dated: October 15, 2010.

David J. Kappos,

Under Secretary of Commerce for Intellectual Property and Director of the United States Patent and Trademark Office.

[FR Doc. 2010-28394 Filed 11-9-10; 8:45 am]

BILLING CODE 3510-16-P

DEPARTMENT OF COMMERCE

International Trade Administration

[C-570-957]

Certain Seamless Carbon and Alloy Steel Standard, Line, and Pressure Pipe From the People's Republic of China: Amended Final Affirmative Countervailing Duty Determination and Countervailing Duty Order

AGENCY: Import Administration, International Trade Administration, Department of Commerce.

SUMMARY: Based on affirmative final determinations by the Department of Commerce ("the Department") and the International Trade Commission ("ITC"), the Department is issuing a countervailing duty order on certain seamless carbon and alloy steel standard, line, and pressure pipe ("seamless pipe") from the People's Republic of China ("PRC"). Also, as explained in this notice, the Department is amending its final determination to correct certain ministerial errors.

DATES: *Effective Date:* November 10, 2010.

FOR FURTHER INFORMATION CONTACT: Shane Subler, Joseph Shuler, and Matthew Jordan, AD/CVD Operations, Office 1, Import Administration, International Trade Administration, U.S. Department of Commerce, 14th Street and Constitution Avenue, NW, Washington, DC 20230; *telephone:* (202) 482-0189, (202) 482-1293, and (202) 482-1540, respectively.

Background

On September 21, 2010, the Department published its final determination that countervailable subsidies are being provided to producers and exporters of seamless pipe from the PRC. *See Certain Seamless Carbon and Alloy Steel Standard, Line, and Pressure Pipe from the People's Republic of China: Final Affirmative Countervailing Duty Determination, Final Affirmative Critical Circumstances Determination*, 75 FR 57444 (September 21, 2010) ("*Final Determination*").

On November 4, 2010, the ITC notified the Department of its final determination pursuant to sections 705(b)(1)(A)(ii) and 705(d) of the Tariff Act of 1930, as amended ("the Act"), that an industry in the United States is threatened with material injury by reason of subsidized imports of subject merchandise from the PRC. The ITC also determined that critical circumstances do not exist. *See Certain Seamless Carbon and Alloy Steel Standard, Line,*

and Pressure Pipe from China, USITC Investigation Nos. 701-TA-469 and 731-TA-1168, USITC Publication 4190 (November 2010).

Scope of the Order

The scope of this order consists of certain seamless carbon and alloy steel (other than stainless steel) pipes and redraw hollows, less than or equal to 16 inches (406.4 mm) in outside diameter, regardless of wall-thickness, manufacturing process (e.g., hot-finished or cold-drawn), end finish (e.g., plain end, beveled end, upset end, threaded, or threaded and coupled), or surface finish (e.g., bare, lacquered or coated). Redraw hollows are any unfinished carbon or alloy steel (other than stainless steel) pipe or "hollow profiles" suitable for cold finishing operations, such as cold drawing, to meet the American Society for Testing and Materials ("ASTM") or American Petroleum Institute ("API") specifications referenced below, or comparable specifications. Specifically included within the scope are seamless carbon and alloy steel (other than stainless steel) standard, line, and pressure pipes produced to the ASTM A-53, ASTM A-106, ASTM A-333, ASTM A-334, ASTM A-589, ASTM A-795, ASTM A-1024, and the API 5L specifications, or comparable specifications, and meeting the physical parameters described above, regardless of application, with the exception of the exclusion discussed below.

Specifically excluded from the scope of the order are: (1) All pipes meeting aerospace, hydraulic, and bearing tubing specifications; (2) all pipes meeting the chemical requirements of ASTM A-335, whether finished or unfinished; and (3) unattached couplings. Also excluded from the scope of the order are all mechanical, boiler, condenser and heat exchange tubing, except when such products conform to the dimensional requirements, *i.e.*, outside diameter and wall thickness of ASTM A-53, ASTM A-106 or API 5L specifications.

The merchandise covered by the order is currently classified in the Harmonized Tariff Schedule of the United States ("HTSUS") under item numbers: 7304.19.1020, 7304.19.1030, 7304.19.1045, 7304.19.1060, 7304.19.5020, 7304.19.5050, 7304.31.6050, 7304.39.0016, 7304.39.0020, 7304.39.0024, 7304.39.0028, 7304.39.0032, 7304.39.0036, 7304.39.0040, 7304.39.0044, 7304.39.0048, 7304.39.0052, 7304.39.0056, 7304.39.0062, 7304.39.0068, 7304.39.0072, 7304.51.5005, 7304.51.5060, 7304.59.6000,

7304.59.8010, 7304.59.8015, 7304.59.8020, 7304.59.8025, 7304.59.8030, 7304.59.8035, 7304.59.8040, 7304.59.8045, 7304.59.8050, 7304.59.8055, 7304.59.8060, 7304.59.8065, and 7304.59.8070.

Although the HTSUS subheadings are provided for convenience and customs purposes, our written description of the merchandise subject to this scope is dispositive.

Amendment to the Final Determination

On September 27, 2010, a petitioner in this case, United States Steel Corporation ("U.S. Steel"), filed timely allegations that the Department made two ministerial errors in its *Final Determination*. In summary, U.S. Steel alleged that the Department made errors in the summary rate table for respondent Hengyang¹ and made errors in the calculation of the electricity subsidy rate for Hengyang. No interested party filed a rebuttal to U.S. Steel's allegations.

After analyzing the allegations, we have determined, in accordance with 19 CFR 351.224(e), that we made the two alleged ministerial errors in our calculations. *See generally* Memorandum to Susan Kuhbach, Director, Office 1, AD/CVD Operations, from Matthew Jordan, International Trade Compliance Analyst, AD/CVD Operations, Office 1, "Countervailing Duty Investigation: Certain Seamless Carbon and Alloy Steel Standard, Line, and Pressure Pipe ("Seamless Pipe") from the People's Republic of China ("PRC"): Ministerial Errors for Final Determination" (October 14, 2010).

Our corrected calculation to the "Provision of Electricity for Less Than Adequate Remuneration Program" found an *ad valorem* subsidy rate of 5.46 percent for Hengyang. The previously calculated rate had been 4.22 percent *ad valorem*. As a result of the corrections, Hengyang's total countervailing duty rate changed from 53.65 percent to 56.67 percent. The countervailing duty rate for the other respondent in the seamless pipe investigation, TPCO,² did not change. As a result of the correction to Hengyang's rate, the countervailing duty rate for all others changed from 33.66 percent to 35.17 percent. In accordance with 19 CFR 351.224(e), we are

¹ For the complete list of companies that "Hengyang" comprises, please see the "Suspension of Liquidation" section, below.

² For the complete list of companies that "TPCO" comprises, please see the "Suspension of Liquidation" section, below.

amending the *Final Determination* to reflect these changes.

Countervailing Duty Order

According to section 706(b)(2) of the Act, duties shall be assessed on subject merchandise entered, or withdrawn from warehouse, for consumption on or after the date of publication of the ITC's notice of final determination if that determination is based upon the threat of material injury. Section 706(b)(1) of the Act states, "{i}f the Commission, in its final determination under section 705(b), finds material injury or threat of material injury which, but for the suspension of liquidation under section 703(d)(2), would have led to a finding of material injury, then entries of the merchandise subject to the countervailing duty order, the liquidation of which has been suspended under section 703(d)(2), shall be subject to the imposition of countervailing duties under section 701(a)." In addition, section 706(b)(2) of the Act requires U.S. Customs and Border Protection ("CBP") to refund any cash deposits or bonds of estimated countervailing duties posted before the date of publication of the ITC's final affirmative determination, if the ITC's final determination is based on threat other than the threat described in section 706(b)(1) of the Act. Because the ITC's final determination in this case is based on the threat of material injury and is not accompanied by a finding that injury would have resulted but for the imposition of suspension of liquidation of entries since the Department's *Preliminary Determination*³ was published in the **Federal Register**, section 706(b)(2) of the Act is applicable.

As a result of the ITC's determination and in accordance with section 706(a)(1) of the Act, the Department will direct CBP to assess, upon further instruction by the Department, countervailing duties equal to the amount of the net countervailable subsidy for all relevant entries of seamless pipe from the PRC. In accordance with section 706 of the Act, the Department will direct CBP to reinstitute suspension of liquidation,⁴

³ *See Certain Seamless Carbon and Alloy Steel Standard, Line, and Pressure Pipe From the People's Republic of China: Preliminary Affirmative Countervailing Duty Determination, Preliminary Affirmative Critical Circumstances Determination*, 75 FR 9163 (March 1, 2010) ("*Preliminary Determination*").

⁴ The Department instructed CBP to discontinue the suspension of liquidation on June 29, 2010, in accordance with section 703(d) of the Act. Section 703(d) states that the suspension of liquidation pursuant to a preliminary determination may not remain in effect for more than four months. Entries

effective on the date of publication of the ITC's notice of final determination in the **Federal Register**, and to require a cash deposit for each entry of subject merchandise in an amount equal to the net countervailable subsidy rates listed below. See section 706(a)(3) of the Act. The all others rate applies to all producers and exporters of subject merchandise not specifically listed.

| Exporter/Manufacturer | Net subsidy rate |
|---|------------------|
| Tianjin Pipe (Group) Corp., Tianjin Pipe Iron Manufacturing Co., Ltd., Tianguan Yuantong Pipe Product Co., Ltd., Tianjin Pipe International Economic and Trading Co., Ltd., and TPCO Charging Development Co., Ltd. | 13.66 |
| Hengyang Steel Tube Group Int'l Trading, Inc., Hengyang Valin Steel Tube Co., Ltd., Hengyang Valin MPM Tube Co., Ltd., Xigang Seamless Steel Tube Co., Ltd., Wuxi Seamless Special Pipe Co., Ltd., Wuxi Resources Steel Making Co., Ltd., Jiangsu Xigang Group Co., Ltd., Hunan Valin Xiangtan Iron & Steel Co., Ltd., Wuxi Sifang Steel Tube Co., Ltd., Hunan Valin Steel Co., Ltd., Hunan Valin Iron & Steel Group Co., Ltd. | 56.67 |
| All Others | 35.17 |

Termination of the Suspension of Liquidation

As a result of our affirmative critical circumstances finding on Hengyang and all companies other than TPCO, CBP suspended liquidation and collected cash deposits or bonds on all entries by these companies made 90 days prior to our affirmative *Preliminary Determination*. Entries for TPCO were suspended and cash deposits or bonds were collected as of March 1, 2010 (*i.e.*, the date of publication of our *Preliminary Determination*).

The Department will instruct CBP to terminate the suspension of liquidation for entries of seamless pipe from the PRC, entered or withdrawn from warehouse, for consumption prior to the

of seamless pipe from the PRC made on or after June 29, 2010, and prior to the date of publication of the ITC's final determination in the **Federal Register** are not liable for the assessment of countervailing duties because of the Department's discontinuation, effective June 29, 2010, of the suspension of liquidation.

publication of the ITC's notice of final determination. The Department will also instruct CBP to refund any cash deposits made and release any bonds with respect to entries of seamless pipe entered, or withdrawn from warehouse, for consumption on or after December 1, 2009 (*i.e.*, 90 days prior to the date of publication of the *Preliminary Determination*), but before the date of publication of the ITC's final determination in the **Federal Register**.

This notice constitutes the countervailing duty order with respect to seamless pipe from the PRC, pursuant to section 706(a) of the Act. Interested parties may contact the Department's Central Records Unit, Room 7046 of the main Commerce Building, for copies of an updated list of countervailing duty orders currently in effect.

This order is issued and published in accordance with section 706(a) of the Act, 19 CFR 351.224(e) and 19 CFR 351.211(b).

Dated: November 5, 2010
Edward C. Yang,
Acting Deputy Assistant Secretary for Import Administration.

[FR Doc. 2010-28402 Filed 11-9-10; 8:45 am]
BILLING CODE 3510-DS-P

DEPARTMENT OF COMMERCE

International Trade Administration

[A-570-956]

Certain Seamless Carbon and Alloy Steel Standard, Line, and Pressure Pipe From the People's Republic of China: Amended Final Determination of Sales at Less Than Fair Value and Antidumping Duty Order

AGENCY: Import Administration, International Trade Administration, Department of Commerce

DATES: *Effective Date:* November 10, 2010.

SUMMARY: Based on affirmative final determinations by the Department of Commerce (the "Department") and the International Trade Commission ("ITC"), the Department is issuing an antidumping duty order on certain seamless carbon and alloy steel standard, line, and pressure pipe ("seamless pipe") from the People's Republic of China ("PRC"). In addition, the Department is amending its final determination to correct certain ministerial errors.

FOR FURTHER INFORMATION CONTACT: Magd Zalok or Brandon Farlander, AD/CVD Operations, Office 4, Import Administration, International Trade Administration, U.S. Department of

Commerce, 14th Street and Constitution Avenue, NW., Washington, DC 20230; telephone: (202) 482-4162 or (202) 482-0182, respectively.

SUPPLEMENTARY INFORMATION:

Background

In accordance with sections 735(d) and 777(i)(1) of the Tariff Act of 1930, as amended ("Act"), on September 21, 2010, the Department published the final determination of sales at less than fair value in the antidumping duty investigation of seamless pipe from the PRC. See *Certain Seamless Carbon and Alloy Steel Standard, Line, and Pressure Pipe from the People's Republic of China: Final Determination of Sales at Less Than Fair Value and Critical Circumstances, in Part*, 75 FR 57449 (September 21, 2010) ("*Final Determination*"). On November 4, 2010, the ITC notified the Department of its affirmative determination of threat of material injury to a U.S. industry, and its negative determination of critical circumstances. See *Certain Seamless Carbon and Alloy Steel Standard, Line, and Pressure Pipe from China*, USITC Investigation Nos. 701-TA-469 and 731-TA-1168 (Final), USITC Publication 4190, (November 2010).

Scope of the Order

The merchandise covered by this order is certain seamless carbon and alloy steel (other than stainless steel) pipes and redraw hollows, less than or equal to 16 inches (406.4 mm) in outside diameter, regardless of wall-thickness, manufacturing process (*e.g.*, hot-finished or cold-drawn), end finish (*e.g.*, plain end, beveled end, upset end, threaded, or threaded and coupled), or surface finish (*e.g.*, bare, lacquered or coated). Redraw hollows are any unfinished carbon or alloy steel (other than stainless steel) pipe or "hollow profiles" suitable for cold finishing operations, such as cold drawing, to meet the American Society for Testing and Materials ("ASTM") or American Petroleum Institute ("API") specifications referenced below, or comparable specifications. Specifically included within the scope are seamless carbon and alloy steel (other than stainless steel) standard, line, and pressure pipes produced to the ASTM A-53, ASTM A-106, ASTM A-333, ASTM A-334, ASTM A-589, ASTM A-795, ASTM A-1024, and the API 5L specifications, or comparable specifications, and meeting the physical parameters described above, regardless of application, with the exception of the exclusion discussed below.

Specifically excluded from the scope of the order are: (1) All pipes meeting

Tubular Goods from China (Investigation No. 731-TA-1159 (Final), USITC Publication 4152 (May 2010)). In addition, the Department is amending its final determination as a result of ministerial errors.

FOR FURTHER INFORMATION CONTACT: Paul Stolz or Eugene Degnan, AD/CVD Operations, Office 8, Import Administration, International Trade Administration, U.S. Department of Commerce, 14th Street and Constitution Avenue, NW., Washington, DC 20230; telephone: (202) 482-4474 or (202) 482-0414, respectively.

SUPPLEMENTARY INFORMATION: In accordance with sections 735(d) and 777(i)(1) of the Tariff Act of 1930, as amended, (“Act”), the Department published the final determination of sales at less than fair value in the antidumping investigation of OCTG from the PRC. *See Certain Oil Country Tubular Goods from the People’s Republic of China: Final Determination of Sales at Less Than Fair Value, Affirmative Final Determination of Critical Circumstances and Final Determination of Targeted Dumping*, 75 FR 20335 (April 19, 2010) (“*Final Determination*”).

Amendment to the Final Determination

On April 19, 2010, the Department published its affirmative final determination in this proceeding. *See Final Determination*. On April 21, 2010, Tianjin Pipe (Group) Corporation (“TPCO”), a mandatory respondent, and Petitioners¹ submitted ministerial error allegations and requested, pursuant to 19 CFR 351.224, that the Department correct the alleged ministerial errors in the calculation of TPCO’s dumping margin. Petitioners submitted rebuttal comments on April 26, 2010. TPCO submitted rebuttal comments on April 23, 2010 and on April 27, 2010.² No other interested party submitted

ministerial error allegations or rebuttal comments.

After analyzing all interested party comments and rebuttals, we have determined, in accordance with section 735(e) of the Act and 19 CFR 351.224(e), that we made ministerial errors in our calculations for the *Final Determination* with respect to TPCO. For a detailed discussion of these ministerial errors, as well as the Department’s analysis of the errors and allegations, *see* the Memorandum to the File, “Ministerial Error Memorandum, Certain Oil Country Tubular Goods from the People’s Republic of China, Final Determination of Sales at Less Than Fair Value,” dated May 18, 2010.

Additionally, in the *Final Determination*, we determined that numerous companies qualified for a separate rate. *See Final Determination*. Because the only other mandatory respondent in this investigation, Jiangsu Changbao Steel Tube Co., Ltd. and Jiangsu Changbao Precision Tube Co., Ltd. (collectively “Changbao”), was determined to be part of the PRC-wide entity in the *Final Determination*, the cash deposit rate for these separate-rate companies is based on the calculated rate of the sole remaining mandatory respondent: TPCO. *See id.*; *see also Final Determination* and accompanying “Issues and Decision Memorandum for the Antidumping Duty Investigation of Certain Oil Country Tubular Goods from the People’s Republic of China”, at Comment 30. Therefore, because the margin for TPCO has changed since the *Final Determination*, the separate rate has changed as well. It is now 32.07 percent. *See* Memorandum to the File, “Investigation of Certain Oil Country Tubular Goods from the People’s Republic of China: Amended Final Determination Analysis Memorandum, Tianjin Pipe (Group) Corporation,” dated May 18, 2010. The amended weighted-average dumping margins are as follows:

DEPARTMENT OF COMMERCE

International Trade Administration

[A-570-943]

Certain Oil Country Tubular Goods From the People’s Republic of China: Amended Final Determination of Sales at Less Than Fair Value and Antidumping Duty Order

AGENCY: Import Administration, International Trade Administration, Department of Commerce.

DATES: *Effective Date:* May 21, 2010.

SUMMARY: Based on affirmative final determinations by the Department of Commerce (the “Department”) and the International Trade Commission (“ITC”), the Department is issuing an antidumping duty order on certain oil country tubular goods (“OCTG”) from the People’s Republic of China (“PRC”). On May 14, 2010 the ITC notified the Department of its affirmative determination of threat of material injury to a U.S. industry, and its negative determination of critical circumstances. *See Certain Oil Country*

| Exporter | Producer | Weighted-average margin percent |
|---|--|---------------------------------|
| Tianjin Pipe International Economic and Trading Corporation | Tianjin Pipe (Group) Corporation | 32.07 |
| Angang Group Hong Kong Co., Ltd | Angang Steel Co. Ltd | 32.07 |
| Angang Steel Co., Ltd., and Angang Group International Trade Corporation. | Angang Steel Co. Ltd | 32.07 |
| Anhui Tianda Oil Pipe Co., Ltd | Anhui Tianda Oil Pipe Co., Ltd | 32.07 |
| Anshan Zhongyou Tipo Pipe & Tubing Co., Ltd | Anshan Zhongyou Tipo Pipe & Tubing Co., Ltd | 32.07 |
| Baotou Steel International Economic and Trading Co., Ltd | Seamless Tube Mill of Inner Mongolia Baotou Steel Union Co., Ltd. ³ . | 32.07 |
| Benxi Northern Steel Pipes Co., Ltd | Benxi Northern Steel Pipes Co., Ltd | 32.07 |

¹ United States Steel Corporation, Maverick Tube Corporation, TMK IPSCO, V&M Star L.P., Wheatland Tube Corp., Evraz Rocky Mountain Steel, and United Steel, Paper and Forestry, Rubber,

Manufacturing, Energy, Allied Industrial and Service Workers International Union, AFL-CIO-CLC are the petitioners (collectively “Petitioners”) in this investigation.

² This second set of rebuttal comments was submitted by TPCO in response to Petitioners’ rebuttal comments submitted on April 23, 2010.

| Exporter | Producer | Weighted-average margin percent |
|--|---|---------------------------------|
| Chengdu Wanghui Petroleum Pipe Co. Ltd | Chengdu Wanghui Petroleum Pipe Co. Ltd | 32.07 |
| Dalipal Pipe Company | Dalipal Pipe Company | 32.07 |
| Faray Petroleum Steel Pipe Co. Ltd | Faray Petroleum Steel Pipe Co. Ltd | 32.07 |
| Freet Petroleum Equipment Co., Ltd. of Shengli Oil Field, The Thermal Recovery Equipment, Zibo Branch. | Freet Petroleum Equipment Co., Ltd. of Shengli Oil Field, The Thermal Recovery Equipment, Zibo Branch. | 32.07 |
| Hengyang Steel Tube Group International Trading, Inc | Hengyang Valin MPM Tube Co., Ltd.; Hengyang Valin Steel Tube Co., Ltd. | 32.07 |
| Huludao Steel Pipe Industrial Co., Ltd./Huludao City Steel Pipe Industrial Co., Ltd. | Huludao Steel Pipe Industrial Co., Ltd./Huludao City Steel Pipe Industrial Co., Ltd. | 32.07 |
| Jiangsu Chengde Steel Tube Share Co., Ltd | Jiangsu Chengde Steel Tube Share Co., Ltd | 32.07 |
| Jiangyin City Changjiang Steel Pipe Co., Ltd | Jiangyin City Changjiang Steel Pipe Co., Ltd | 32.07 |
| Pangang Group Beihai Steel Pipe Corporation | Pangang Group Beihai Steel Pipe Corporation | 32.07 |
| Pangang Group Chengdu Iron & Steel | Pangang Group Chengdu Iron & Steel | 32.07 |
| Qingdao Bonded Logistics Park Products International Trading Co., Ltd. | Shengli Oilfield Highland Petroleum Equipment Co., Ltd.; | 32.07 |
| | Shandong Continental Petroleum Equipment Co., Ltd.; Aofei Tele Dongying Import & Export Co., Ltd.; Highgrade Tubular Manufacturing (Tianjin) Co., Ltd.; Cangzhou City Baohai Petroleum Material Co., Ltd. | 32.07 |
| Qiqihaer Haoying Iron and Steel Co., Ltd. of Northeast Special Steel Group. | Qiqihaer Haoying Iron and Steel Co., Ltd. of Northeast Special Steel Group. | 32.07 |
| Shandong Dongbao Steel Pipe Co., Ltd | Shandong Dongbao Steel Pipe Co., Ltd | 32.07 |
| ShanDong HuaBao Steel Pipe Co., Ltd | ShanDong HuaBao Steel Pipe Co., Ltd | 32.07 |
| Shandong Molong Petroleum Machinery Co., Ltd | Shandong Molong Petroleum Machinery Co., Ltd | 32.07 |
| Shanghai Metals & Minerals Import & Export Corp./Shanghai Minmetals Materials & Products Corp. | Jiangsu Changbao Steel Pipe Co., Ltd.; | 32.07 |
| | Huludao Steel Pipe Industrial Co., Ltd.; Northeast Special Steel Group Qiqihaer Haoying Steel and Iron Co., Ltd.; Beijing Youlu Co., Ltd. | |
| Shanghai Zhongyou Tipo Steel Pipe Co., Ltd | Shanghai Zhongyou Tipo Steel Pipe Co., Ltd | 32.07 |
| Shengli Oil Field Freet Petroleum Equipment Co., Ltd | Freet Petroleum Equipment Co., Ltd. of Shengli Oil Field, The Thermal Recovery Equipment, Zibo Branch.; Faray Petroleum Steel Pipe Co., Ltd.; Shengli Oil Field Freet Petroleum Steel Pipe Co., Ltd. | 32.07 |
| Shengli Oil Field Freet Petroleum Steel Pipe Co., Ltd | Freet Petroleum Equipment Co., Ltd. of Shengli Oil Field, The Thermal Recovery Equipment, Zibo Branch.; Anhui Tianda Oil Pipe Co., Ltd; Wuxi Fastube Dingyuan Precision Steel Pipe Co., Ltd. | 32.07 |
| Shengli Oilfield Highland Petroleum Equipment Co., Ltd | Tianjin Pipe Group Corp.; | 32.07 |
| | Goods & Materials Supply Dept. of Shengli Oilfield SinoPEC; Dagang Oilfield Group New Century Machinery Co. Ltd.; Tianjin Seamless Steel Pipe Plant; Baoshan Iron & Steel Co. Ltd. | |
| Shengli Oilfield Shengji Petroleum Equipment Co., Ltd | Shengli Oilfield Shengji Petroleum Equipment Co., Ltd | 32.07 |
| Tianjin Xingyuda Import and Export Co., Ltd. & Hong Kong Gallant Group Limited. | Tianjin Lifengyuanda Steel Group Co., Ltd | 32.07 |
| Tianjin Seamless Steel Pipe Plant | Tianjin Seamless Steel Pipe Plant | 32.07 |
| Tianjin Tiangang Special Petroleum Pipe Manufacturer Co., Ltd. | Tianjin Tiangang Special Petroleum Pipe Manufacturer Co., Ltd. | 32.07 |
| Wuxi Baoda Petroleum Special Pipe Manufacturing Co., Ltd | Wuxi Baoda Petroleum Special Pipe Manufacturing Co., Ltd | 32.07 |
| Wuxi Seamless Oil Pipe Co., Ltd | Wuxi Seamless Oil Pipe Co., Ltd | 32.07 |
| Wuxi Sp. Steel Tube Manufacturing Co., Ltd | Wuxi Precese Special Steel Co., Ltd | 32.07 |
| Wuxi Zhenda Special Steel Tube Manufacturing Co., Ltd | Huai'an Zhenda Steel Tube Manufacturing Co., Ltd | 32.07 |
| Xigang Seamless Steel Tube Co., Ltd | Xigang Seamless Steel Tube Co., Ltd.; | 32.07 |
| | Wuxi Seamless Special Pipe Co., Ltd. | |
| Yangzhou Lontrin Steel Tube Co., Ltd | Yangzhou Lontrin Steel Tube Co., Ltd | 32.07 |
| Zhejiang Jianli Co., Ltd. & Zhejiang Jianli Steel Tube Co., Ltd | Zhejiang Jianli Co., Ltd.; | 32.07 |
| | Zhejiang Jianli Steel Tube Co., Ltd. | |
| PRC-wide Entity* | | 99.14 |

* Includes: Jiangsu Changbao Steel Tube Co., Ltd. and Jiangsu Changbao Precision Tube Co., Ltd. and Shengli Oil Field Freet Import & Export Trade Co., Ltd.

Antidumping Duty Order

On May 14, 2010, in accordance with section 735(d) of the Act, the ITC

³In *Certain Oil Country Tubular Goods From the People's Republic of China: Notice of Preliminary*

Determination of Sales at Less Than Fair Value, Affirmative Preliminary Determination of Critical Circumstances and Postponement of Final Determination, 74 FR 59117 (November 17, 2009) and *Certain Oil Country Tubular Goods From the People's Republic of China: Notice of Amended Preliminary Determination of Sales at Less Than*

notified the Department of its final determination in this investigation. In its determination, the ITC found a threat

Fair Value, 74 FR 69065 (December 30, 2009), we inadvertently identified the producer as Baotou Steel International Economic and Trading Co., Ltd.

of material injury. According to section 736(b)(2) of the Act, duties shall be assessed on subject merchandise entered, or withdrawn from warehouse, for consumption on or after the date of publication of the ITC's notice of final determination if that determination is based on the threat of material injury and is not accompanied by a finding that injury would have resulted without the imposition of suspension of liquidation of entries since the Department's preliminary determination. In addition, section 736(b)(2) of the Act requires U.S. Customs and Border Protection ("CBP") to refund any cash deposits or bonds of estimated antidumping duties posted since the preliminary antidumping determination if the ITC's final determination is threat-based. Therefore, in accordance with section 733(d) of the Act and our practice, we will instruct CBP to terminate the suspension of liquidation and to liquidate, without regard to antidumping duties, unliquidated entries of OCTG from the PRC entered, or withdrawn from warehouse, for consumption on or after November 17, 2009, and before the date of publication of the ITC's final determination in the **Federal Register**. Suspension of liquidation will continue after this date. See the Suspension of Liquidation section below. In addition, with regard to the ITC's negative critical circumstances determination, and regarding to exports from the PRC-wide entity, we will also instruct CBP to lift suspension, release any bond or other security, and refund any cash deposit made to secure the payment of antidumping duties with respect to entries of the merchandise entered, or withdrawn from warehouse, for consumption on or after August 19, 2009⁴ (*i.e.*, 90 days prior to the date of publication of the preliminary determination in the **Federal Register**), through November 16, 2009.

Scope of the Order

The scope of this order consists of certain OCTG, which are hollow steel products of circular cross-section, including oil well casing and tubing, of iron (other than cast iron) or steel (both carbon and alloy), whether seamless or welded, regardless of end finish (*e.g.*, whether or not plain end, threaded, or threaded and coupled) whether or not conforming to American Petroleum Institute ("API") or non-API specifications, whether finished (including limited service OCTG products) or unfinished (including

green tubes and limited service OCTG products), whether or not thread protectors are attached. The scope of the order also covers OCTG coupling stock. Excluded from the scope of the order are casing or tubing containing 10.5 percent or more by weight of chromium; drill pipe; unattached couplings; and unattached thread protectors.

The merchandise covered by the order is currently classified in the Harmonized Tariff Schedule of the United States ("HTSUS") under item numbers: 7304.29.10.10, 7304.29.10.20, 7304.29.10.30, 7304.29.10.40, 7304.29.10.50, 7304.29.10.60, 7304.29.10.80, 7304.29.20.10, 7304.29.20.20, 7304.29.20.30, 7304.29.20.40, 7304.29.20.50, 7304.29.20.60, 7304.29.20.80, 7304.29.31.10, 7304.29.31.20, 7304.29.31.30, 7304.29.31.40, 7304.29.31.50, 7304.29.31.60, 7304.29.31.80, 7304.29.41.10, 7304.29.41.20, 7304.29.41.30, 7304.29.41.40, 7304.29.41.50, 7304.29.41.60, 7304.29.41.80, 7304.29.50.15, 7304.29.50.30, 7304.29.50.45, 7304.29.50.60, 7304.29.50.75, 7304.29.61.15, 7304.29.61.30, 7304.29.61.45, 7304.29.61.60, 7304.29.61.75, 7305.20.20.00, 7305.20.40.00, 7305.20.60.00, 7305.20.80.00, 7306.29.10.30, 7306.29.10.90, 7306.29.20.00, 7306.29.31.00, 7306.29.41.00, 7306.29.60.10, 7306.29.60.50, 7306.29.81.10, and 7306.29.81.50.

The OCTG coupling stock covered by the order may also enter under the following HTSUS item numbers:

7304.39.00.24, 7304.39.00.28, 7304.39.00.32, 7304.39.00.36, 7304.39.00.40, 7304.39.00.44, 7304.39.00.48, 7304.39.00.52, 7304.39.00.56, 7304.39.00.62, 7304.39.00.68, 7304.39.00.72, 7304.39.00.76, 7304.39.00.80, 7304.59.60.00, 7304.59.80.15, 7304.59.80.20, 7304.59.80.25, 7304.59.80.30, 7304.59.80.35, 7304.59.80.40, 7304.59.80.45, 7304.59.80.50, 7304.59.80.55, 7304.59.80.60, 7304.59.80.65, 7304.59.80.70, and 7304.59.80.80.

The HTSUS subheadings are provided for convenience and customs purposes only; the written description of the scope of the order is dispositive.

Continuation of Suspension of Liquidation

In accordance with section 735(c)(1)(B) of the Act, we will instruct CBP to suspend liquidation on all entries of subject merchandise from the PRC. We will also instruct CBP to require cash deposits equal to the

estimated amount by which the normal value exceeds the U.S. price as indicated in the chart above. These instructions suspending liquidation will remain in effect until further notice.

Additionally, in the *Final Determination*, the Department noted that in *Certain Oil Country Tubular Goods From the People's Republic of China: Amended Final Affirmative Countervailing Duty Determination and Countervailing Duty Order*, 75 FR 3203 (January 20, 2010) ("*CVD Final*") the Department determined that the products under investigation, exported and produced by TPCO, benefitted from an export subsidy. Therefore, we will instruct CBP to require an antidumping cash deposit or posting of a bond equal to the weighted-average amount by which the normal value exceeds the U.S. price for TPCO, as indicated above, minus the amount determined to constitute an export subsidy.

Further, for the two separate-rate companies in this investigation that also participated as mandatory respondents in the CVD investigation (*i.e.*, Wuxi Seamless Oil Pipe Co., Ltd., and Zhejiang Jianli Co., Ltd. & Zhejiang Jianli Steel Tube Co., Ltd.), because it was determined in the *CVD Final* that these companies did not benefit from any export subsidy, we will not make an adjustment to the antidumping duty rate of these companies for purposes of cash deposits.

For the remaining separate-rate companies, we will instruct CBP to adjust the dumping margin by the amount of export subsidies included in the All Others rate from the *CVD Final*.

Accordingly, effective on the date of publication of the ITC's final affirmative injury determination, CBP will require, at the same time as importers would normally deposit estimated duties on this subject merchandise, a cash deposit equal to the estimated weighted-average antidumping duty margins as discussed above. See section 735(c)(3) of the Act. The "PRC-wide" rate applies to all exporters of subject merchandise not specifically listed.

In accordance with section 736 of the Act, the Department will also direct CBP to assess antidumping duties on all unliquidated entries of OCTG from the PRC entered, or withdrawn from warehouse, for consumption on or after the date on which the ITC published its notice of final determination of threat of material injury in the **Federal Register**.

This notice constitutes the antidumping duty order with respect to OCTG from the PRC pursuant to section 736(a) of the Act. Interested parties may contact the Department's Central Records Unit, Room 1117 of the main

⁴ This date was incorrectly identified as "April 19, 2009" in the *Final Determination*.

Commerce building, for copies of an updated list of antidumping duty orders currently in effect.

This order is published in accordance with section 736(a) of the Act and 19 CFR 351.211.

Dated: May 19, 2010.

Ronald K. Lorentzen,

Deputy Assistant Secretary for Import Administration.

[FR Doc. 2010-12370 Filed 5-20-10; 8:45 am]

BILLING CODE 3510-DS-P

DEPARTMENT OF COMMERCE**International Trade Administration**

[C-570-944]

**Certain Oil Country Tubular Goods
From the People's Republic of China:
Amended Final Affirmative
Countervailing Duty Determination and
Countervailing Duty Order**

AGENCY: Import Administration,
International Trade Administration,
Department of Commerce.

SUMMARY: Based on affirmative final determinations by the Department of Commerce ("the Department") and the International Trade Commission ("ITC"), the Department is issuing a countervailing duty order on certain oil country tubular goods ("OCTG") from the People's Republic of China ("PRC"). Also, as explained in this notice, the Department is amending its final determination to correct certain ministerial errors.

DATES: *Effective Date:* January 20, 2010.

FOR FURTHER INFORMATION CONTACT: David Neubacher or Shane Subler, AD/CVD Operations, Office 1, Import Administration, International Trade Administration, U.S. Department of Commerce, 14th Street and Constitution Avenue, NW., Washington, DC 20230; telephone: (202) 482-5823 and (202) 482-0189, respectively.

Background

The Department published its final determination on December 7, 2009. *See Certain Oil Country Tubular Goods From the People's Republic of China: Final Affirmative Countervailing Duty Determination, Final Negative Critical Circumstances Determination*, 74 FR 64045 (December 7, 2009) ("*Final Determination*").

On January 13, 2010, the ITC notified the Department of its final determination pursuant to sections 705(b)(1)(A)(ii) and 705(d) of the Tariff Act of 1930, as amended ("the Act"), that an industry in the United States is threatened with material injury by reason of subsidized imports of subject merchandise from the PRC. *See Certain Oil Country Tubular Goods from China*, USITC Investigation No. 701-TA-463 (Final), USITC Publication 4124 (January 2010). Pursuant to section 706(a) of the Act, the Department is publishing a countervailing duty order on the subject merchandise.

Scope of the Order

The scope of this order consists of certain oil country tubular goods ("OCTG"), which are hollow steel

products of circular cross-section, including oil well casing and tubing, of iron (other than cast iron) or steel (both carbon and alloy), whether seamless or welded, regardless of end finish (e.g., whether or not plain end, threaded, or threaded and coupled) whether or not conforming to American Petroleum Institute ("API") or non-API specifications, whether finished (including limited service OCTG products) or unfinished (including green tubes and limited service OCTG products), whether or not thread protectors are attached. The scope of the order also covers OCTG coupling stock. Excluded from the scope of the order are: casing or tubing containing 10.5 percent or more by weight of chromium; drill pipe; unattached couplings; and unattached thread protectors.

The merchandise subject to this order is currently classified in the Harmonized Tariff Schedule of the United States ("HTSUS") under item numbers: 7304.29.10.10, 7304.29.10.20, 7304.29.10.30, 7304.29.10.40, 7304.29.10.50, 7304.29.10.60, 7304.29.10.80, 7304.29.20.10, 7304.29.20.20, 7304.29.20.30, 7304.29.20.40, 7304.29.20.50, 7304.29.20.60, 7304.29.20.80, 7304.29.31.10, 7304.29.31.20, 7304.29.31.30, 7304.29.31.40, 7304.29.31.50, 7304.29.31.60, 7304.29.31.80, 7304.29.41.10, 7304.29.41.20, 7304.29.41.30, 7304.29.41.40, 7304.29.41.50, 7304.29.41.60, 7304.29.41.80, 7304.29.50.15, 7304.29.50.30, 7304.29.50.45, 7304.29.50.60, 7304.29.50.75, 7304.29.61.15, 7304.29.61.30, 7304.29.61.45, 7304.29.61.60, 7304.29.61.75, 7305.20.20.00, 7305.20.40.00, 7305.20.60.00, 7305.20.80.00, 7306.29.10.30, 7306.29.10.90, 7306.29.20.00, 7306.29.31.00, 7306.29.41.00, 7306.29.60.10, 7306.29.60.50, 7306.29.81.10, and 7306.29.81.50.

The OCTG coupling stock covered by the order may also enter under the following HTSUS item numbers:

7304.39.00.24, 7304.39.00.28, 7304.39.00.32, 7304.39.00.36, 7304.39.00.40, 7304.39.00.44, 7304.39.00.48, 7304.39.00.52, 7304.39.00.56, 7304.39.00.62, 7304.39.00.68, 7304.39.00.72, 7304.39.00.76, 7304.39.00.80, 7304.59.60.00, 7304.59.80.15, 7304.59.80.20, 7304.59.80.25, 7304.59.80.30, 7304.59.80.35, 7304.59.80.40, 7304.59.80.45, 7304.59.80.50, 7304.59.80.55, 7304.59.80.60, 7304.59.80.65, 7304.59.80.70, and 7304.59.80.80.

The HTSUS subheadings are provided for convenience and customs purposes only. The written description of the scope of this order is dispositive.

Amendment to the Final Determination

On December 14, 2009, petitioners United States Steel Corporation ("U.S. Steel") and TMK IPSCO *et al.*¹ (collectively, "Petitioners")² filed timely allegations that the Department made three ministerial errors in its *Final Determination*. No interested party filed a rebuttal to Petitioners' allegations.

After analyzing the allegations, we have determined, in accordance with 19 CFR 351.224(e), that we made these three ministerial errors in the calculations.³ We have also corrected an additional ministerial error.

In summary, U.S. Steel alleged that the Department made errors in the calculation of the electricity subsidy rate for Wuxi Seamless Oil Pipe Co., Ltd. ("WSP") and applied incorrect benchmark interest and inflation rates to certain WSP loans in the policy lending program calculation. TMK IPSCO *et al.* alleged that the Department omitted the electricity subsidy rate from Jiangsu Changbao Steel Tube Co., Ltd.'s ("Changbao") overall subsidy rate. We agree with Petitioners that these errors constitute ministerial errors. Also, we identified a ministerial error in the benefit calculation for the policy lending program for Tianjin Pipe (Group) Co. ("TPCO"). We are correcting these errors with this notice. See Ministerial Error Allegations Memo at pages 2–3.

As a result of these corrections, WSP's countervailing duty rate changed from 14.61 percent to 14.95 percent, Changbao's rate changed from 11.98 percent to 12.46 percent, and TPCO's rate changed from 10.36 percent to 10.49 percent. The countervailing duty rate for Zhejiang Jianli Enterprise Co., Ltd. is unchanged. The countervailing duty rate for all others changed from 13.20 percent to 13.41 percent. In accordance with 19 CFR 351.224(e), we are amending the *Final Determination* to reflect these changes.

¹ TMK IPSCO, V&M Star L.P., Wheatland Tube Corp., Evraz Rocky Mountain Steel, and The United Steelworkers.

² Maverick Tube Corporation is also a petitioner in this investigation, but the company did not file any ministerial error allegations.

³ See generally Memorandum to Susan Kuhbach, Director, Office 1, AD/CVD Operations, from Nancy Decker, Program Manager, Office 1, "Countervailing Duty Investigation: Certain Oil Country Tubular Goods from the People's Republic of China: Ministerial Errors for Final Determination" (December 28, 2009) ("Ministerial Error Allegations Memo").

Countervailing Duty Order

In accordance with section 706(a)(1) of the Act, the Department will direct U.S. Customs and Border Protection ("CBP") to assess, upon further instruction by the Department, countervailing duties equal to the amount of the net countervailable subsidy for all relevant entries of OCTG from the PRC.

According to section 706(b)(2) of the Act, duties shall be assessed on subject merchandise entered, or withdrawn from warehouse, for consumption on or after the date of publication of the ITC's notice of final determination if that determination is based upon the threat of material injury. Section 706(b)(1) of the Act states, "If the Commission, in its final determination under section 705(b), finds material injury or threat of material injury which, but for the suspension of liquidation under section 703(d)(2), would have led to a finding of material injury, then entries of the merchandise subject to the countervailing duty order, the liquidation of which has been suspended under section 703(d)(2), shall be subject to the imposition of countervailing duties under section 701(a)." In addition, section 706(b)(2) of the Act requires CBP to refund any cash deposits or bonds of estimated countervailing duties posted since the Department's preliminary countervailing duty determination, if the ITC's final determination is threat-based. Because the ITC's final determination in this case is based on the threat of material injury and is not accompanied by a finding that injury would have resulted but for the imposition of suspension of liquidation of entries since the Department's *Preliminary Determination*⁴ was published in the **Federal Register**, section 706(b)(2) of the Act is applicable.

Therefore, the Department will direct CBP to reinstitute suspension of liquidation,⁵ and to assess, upon further

⁴ See *Certain Oil Country Tubular Goods From the People's Republic of China: Preliminary Affirmative Countervailing Duty Determination, Preliminary Negative Critical Circumstances Determination*, 74 FR 47210 (September 15, 2009) ("*Preliminary Determination*").

⁵ The Department instructed CBP to discontinue the suspension of liquidation on January 13, 2010, in accordance with section 703(a) of the Act. Section 703(d) states that the suspension of liquidation pursuant to a preliminary determination may not remain in effect for more than four months. Entries of OCTG from the PRC made on or after January 13, 2010, and prior to the date of publication of the ITC's final determination in the **Federal Register** are not liable for the assessment of countervailing duties because of the Department's discontinuation, effective January 13, 2010, of the suspension of liquidation.

instruction from the Department, countervailing duties on all unliquidated entries of OCTG from the PRC entered, or withdrawn from warehouse, for consumption on or after the date of publication of the ITC's

notice of final determination of threat of material injury in the **Federal Register**.

Cash Deposit Requirements

Effective on the date of publication of the ITC's notice of final determination in the **Federal Register**, CBP will require, at the same time as importers

would normally deposit estimated duties, cash deposits for the subject merchandise equal to the net subsidy rates listed below. See section 706(a)(3) of the Act. The all-others rate applies to all producers and exporters of subject merchandise not specifically listed.

| Exporter/manufacturer | Net subsidy rate (percent) |
|--|----------------------------|
| Jiangsu Changbao Steel Tube Co. and Jiangsu Changbao Precision Steel Tube Co., Ltd. | 12.46 |
| Tianjin Pipe (Group) Co., Tianjin Pipe Iron Manufacturing Co., Ltd., Tianguan Yuantong Pipe Product Co., Ltd., Tianjin Pipe International Economic and Trading Co., Ltd., and TPCO Charging Development Co., Ltd. | 10.49 |
| Wuxi Seamless Pipe Co, Ltd., Jiangsu Fanli Steel Pipe Co, Ltd., Tuoketuo County Mengfeng Special Steel Co., Ltd. | 14.95 |
| Zhejiang Jianli Enterprise Co., Ltd., Zhejiang Jianli Steel Tube Co., Ltd., Zhuji Jiansheng Machinery Co., Ltd., and Zhejiang Jianli Industry Group Co., Ltd. | 15.78 |
| All Others | 13.41 |

Termination of the Suspension of Liquidation

The Department will also instruct CBP to terminate the suspension of liquidation for entries of OCTG from the PRC entered, or withdrawn from warehouse, for consumption prior to the publication of the ITC's notice of final determination. The Department will also instruct CBP to refund any cash deposits made and release any bonds posted between September 15, 2009 (*i.e.*, the date of publication of the Department's *Preliminary Determination*) and the date of publication of the ITC's final determination in the **Federal Register**.

This notice constitutes the countervailing duty order with respect to OCTG from the PRC, pursuant to section 706(a) of the Act. Interested parties may contact the Department's Central Records Unit, Room 1117 of the main Commerce Building, for copies of an updated list of countervailing duty orders currently in effect.

This order is issued and published in accordance with section 706(a) of the Act and 19 CFR 351.211(b).

Dated: January 15, 2010.

Ronald K. Lorentzen,

Deputy Assistant Secretary for Import Administration.

[FR Doc. 2010-1056 Filed 1-19-10; 8:45 am]

BILLING CODE 3510-DS-P

INJURY STATEMENT

| S. No. | Particulars | 2009-2010 | | 2010-2011 | | 2011-2012 | | 2012-2013(Q-1) | | 2012-2013 (Annualised) | |
|--------|---|-----------|-----------------|-----------|-----------------|-----------|-----------------|----------------|-----------------|------------------------|-----------------|
| | | Qty. (MT) | Value (Rs.Lacs) | Qty. (MT) | Value (Rs.Lacs) | Qty. (MT) | Value (Rs. Lac) | Qty. (MT) | Value (Rs.Lacs) | Qty. (MT) | Value (Rs.Lacs) |
| 1 | Installed Capacity (Applicants) | 3,75,000 | | 6,85,000 | | 6,85,000 | | 1,71,250 | | 6,85,000 | |
| 2 | Installed Capacity (Supporter) | 3,50,000 | | 3,50,000 | | 3,66,667 | | 1,37,500 | | 5,50,000 | |
| 3 | Installed capacity (Total Domestic Industry) | 7,25,000 | | 10,35,000 | | 10,51,667 | | 3,08,750 | | 12,35,000 | |
| 4 | Production (Applicants) | 2,24,216 | | 2,83,619 | | 3,18,968 | | 73,273 | | 2,93,091 | |
| 5 | Production (Supporter) | 1,41,804 | | 1,69,506 | | 1,80,213 | | 37,541 | | 1,50,164 | |
| 6 | Production (Total Domestic Industry) | 3,66,020 | | 4,53,125 | | 4,99,182 | | 1,10,814 | | 4,43,254 | |
| 7 | Capacity utilization (Applicants) | 60% | | 41% | | 47% | | 43% | | 43% | |
| 8 | Capacity utilization (Supporter) | 41% | | 48% | | 49% | | 27% | | 27% | |
| 9 | Capacity utilization (Total Domestic Industry) | 50% | | 44% | | 47% | | 36% | | 36% | |
| 10 | Domestic sales (Applicant) | 1,97,946 | 100 | 2,26,507 | 102 | 2,52,090 | 121 | 55,019 | 28 | 2,20,075 | 111 |
| 11 | Domestic Sales (Supporter) | 97,724 | 100 | 86,758 | 101 | 79,212 | 96 | 16,232 | 20 | 64,927 | 80 |
| 12 | Domestic Sales (Total Domestic Industry) | 2,95,670 | 100 | 3,13,264 | 102 | 331303 | 114 | 71251 | 26 | 285002 | 103 |
| 13 | Domestic Selling Price (Rs./MT) | | 100 | | 89 | | 95 | | 100 | | 100 |
| 14 | Export Sales (Applicants) | 1,18,861 | | 1,13,437 | | 1,47,735 | | 36,693 | | 1,46,772 | |
| 15 | Export Sales (Supporter) | 46,614 | | 75,914 | | 1,03,057 | | 19,185 | | 76,740 | |
| 16 | Export sales (Total Domestic Industry) | 1,65,475 | | 1,89,351 | | 2,50,793 | | 55,878 | | 2,23,512 | |
| 17 | Inventory (Applicants) | 5,690 | | 8,805 | | 9,584 | | 16,247 | | 16,247 | |
| 18 | Inventory (Supporter) | 6,013 | | 12,845 | | 11,009 | | 6,792 | | 6,792 | |
| 19 | Inventory (Total Domestic Industry) | 11,703 | | 21,650 | | 20,593 | | 23,039 | | 23,039 | |
| 20 | Cost of sales - Domestic | | 100 | | 118 | | 132 | | 41 | | 165 |
| 21 | Cost of sales - Domestic (Rs./MT) | | 100 | | 107 | | 117 | | 117 | | 117 |
| 22 | Profit / Loss - Domestic | | 100 | | 76 | | 102 | | 6 | | 23 |
| 23 | Profit / Loss - Domestic (Rs./MT) | | 100 | | 25 | | 15 | | 37 | | 37 |
| 24 | Employment (Applicants) No of dir. Emp (Avg on roll) | 2,246 | | 2,388 | | 2,567 | | 2,716 | | 2,716 | |
| 25 | Employment (Supporter) No of dir. Emp (Avg on roll) | 1,612 | | 1,622 | | 1,813 | | 2,071 | | 2,168 | |
| 26 | Employment (Total Domestic Industry) No of dir. Emp (Avg on roll) | 3,858 | | 4,010 | | 4,380 | | 4,787 | | 4,884 | |
| 27 | Demand | | | | | | | | | | |
| | Import | 3,67,008 | | 4,22,661 | | 4,98,949 | | 1,77,033 | | 4,68,134 | |
| | Applicant Domestic Sales | 1,97,946 | | 2,26,507 | | 2,52,090 | | 55,019 | | 2,20,075 | |
| | Supporter Domestic Sales | 97,724 | | 86,758 | | 79,212 | | 16,232 | | 64,927 | |
| | Total Domestic Industry | 2,95,670 | | 3,13,264 | | 3,31,303 | | 71,251 | | 2,85,002 | |
| | Other Domestic Producers | 7,099 | | 14,262 | | 14,262 | | 3,565 | | 14,262 | |
| | Total Assessed Demand | 6,69,777 | | 7,50,187 | | 8,44,513 | | 2,51,849 | | 7,67,398 | |
| 28 | Market Share in Demand | | | | | | | | | | |
| | Import | 54.80 | | 56.34 | | 59.08 | | 70.29 | | 61.00 | |
| | Applicant Domestic Sales | 29.55 | | 30.19 | | 29.85 | | 21.85 | | 28.68 | |
| | Supporter Domestic Sales | 14.59 | | 11.56 | | 9.38 | | 6.45 | | 8.46 | |
| | Total Domestic Industry | 44.14 | | 41.76 | | 39.23 | | 28.29 | | 37.14 | |
| | Other Domestic Producers | 1.06 | | 1.90 | | 1.69 | | 1.42 | | 1.86 | |

* - For the purposes of the present Petition, the Production, Sales Volume, Installed Capacity, Export Sales, Inventory, Employment, Demand and the Market Share of the Applicants and the Supporter has been consolidated for Total Domestic Industry. As regards the other parameters is concerned, only the Applicants Domestic Selling Price, Cost of Sales and Profit and Loss has been considered.

Proprietary Business Sensitive Confidential Information that is not available in the public domain and is not amenable to summarization, the disclosure of which is harmful to the interests of the Company is claimed as Confidential

To,
ISMT LTD
Pune

Date: 26 July'12

Sub: Price reduction letter

Dear Shashank,

Thanks for the receipt of your below mail.

While scrutinizing your offer, we found that you have quoted the price for 203.2mm OD pipes as Rs. [REDACTED]/Kg. which is on higher side.

You are requested to kindly accept our counter offer as Rs. [REDACTED]/Kg. to enable us to place an order on you.

Regarding [REDACTED], your prices are on very much higher side and as such we are unable to ask for even counter offer.

Hope you will do the needful ASAP.

Thanks and regards

Proprietary Business Sensitive Confidential Information that is not available in the public domain and is not amenable to summarization, the disclosure of which is harmful to the interests of the Company is claimed as Confidential

SUMMARY OF LOST TENDERS

(Annexure – 12)

| TENDER NO | BUYER | BID OPENING DATE | ITEM | SIZE | GRADE | QTY (MT) | EXPORTER | CHINESE MILLS | |
|-------------|-------|------------------|----------------------------------|--------|-------|--------------|-------------------|---|-------------------|
| ZNCRC 10001 | ONGC | 4-Jan-11 | Seamless Casing Pipes | 244.48 | P-110 | 560 | MERTEX | BAOSHAN IRON & STEEL CO.LTD PANGANG CHENGDU SEAMLESS TUBE CO. LTD HENGYANG VALIN STEEL TUBE CO. LTD | |
| | | | | 244.48 | P-110 | 9430 | MERTEX | | |
| | | | | 244.48 | L-80 | 1340 | MERTEX | | |
| | | | | 244.48 | N-80 | 14450 | MERTEX | | |
| | | | | 244.48 | J-55 | 2170 | MERTEX | | |
| | | | | 177.8 | P-110 | 690 | MERTEX | | |
| | | | | 139.7 | P-110 | 2235 | MERTEX | | |
| | | | | | | 30875 | | | |
| ZNTKC 10001 | ONGC | 28-Apr-11 | Seamless Tubing | 73 | N-80 | 1600 | MERTEX | BAOSHAN IRON & STEEL CO. LTD HENGYANG VALIN STEEL TUBE CO. LTD | |
| | | | | 73 | L-80 | 6965 | MERTEX | | |
| | | | | 73 | P-110 | 597 | MERTEX | | |
| | | | | | | | 9162 | | |
| ZNCRC 10005 | ONGC | 19-Jul-11 | Seamless Casing Pipes | 244.8 | J-55 | 4235 | MERTEX | BAOSHAN IRON & STEEL CO.LTD PANGANG CHENGDU SEAMLESS TUBE CO. LTD HENGYANG VALIN STEEL TUBE CO. LTD | |
| | | | | 177.8 | L-80 | 9550 | MERTEX | | |
| | | | | | 139.7 | J-55 | 1210 | | MERTEX |
| | | | | | 139.7 | L-80 | 3190 | | MERTEX |
| | | | | | 139.7 | N-80 | 1950 | | MERTEX |
| | | | | | | | | | 20135 |
| ZNLKC 11001 | ONGC | 4-Jan-12 | Seamless Line Pipe- 3 LPE Coated | 114.3 | X-46 | 6715 | CLASSIC OIL FIELD | ANGANG STEEL CO. LTD , YANGZHOU LONTRIN STEEL TUBE CO LTD | |
| | | | | | 60.3 | X-46 | 1165 | | CLASSIC OIL FIELD |
| | | | | | 88.9 | X-46 | 520 | | CLASSIC OIL FIELD |
| | | | | | | 8400 | | | |
| SDG 9924 | OIL | 28-Apr-11 | Seamless Line Pipes | 114.3 | X-46 | 1875 | DIRECT | SHANGDONG KERUI PETROLEUM EQUIPMENT CO LTD | |
| SDG 1368 | OIL | | Seamless Line Pipes | 114.3 | X-46 | 1415 | ITECO | HENGYANG VALIN | |
| ZNTKC 11002 | ONGC | 30-Dec-11 | | 88.9 | P-110 | 675 | MERTEX | BAOSHAN IRON & STEEL CO. LTD | |
| | | | | 88.9 | L-80 | 395 | OCTL | WUXI SEAMLESS OIL PIPE CO, SHANDONG MOLONG PETROLEUM MACHINERY CO. LTD, JIANGSU CHANGBAO STEEL TUBE CO. LTD | |
| | | | | 88.9 | L-80 | 2163 | PT SERVOTECH | HENGYANG VALIN | |
| | | | | | | 3233 | | | |

| TENDER NO | BUYER | BID OPENING DATE | ITEM | SIZE (OD) | SIZE (WT) | GRADE | QTY (MT) | LOST TO |
|-----------------|-------------------|------------------|----------------|-----------|-----------|----------------|---------------|--|
| 9520011 E | BHEL, TRICHY | Sep 29, 2012 | Seamless Tubes | 60.3 | 5.5 | SA210 GR A1 | 100 | Lost to Changde, Lontrin and Hangyang on 02.11.12 |
| | | | | 51.0 | 4.4 | | 60 | |
| | | | | 48.3 | 4.0 | | 25 | |
| | | | | 48.3 | 6.9 | | 60 | |
| | | | | 60.3 | 4.0 | | 120 | |
| | | | | 82.5 | 4.4 | | 60 | |
| | | | | 76.1 | 4.4 | | 50 | |
| | | | | 70.0 | 4.4 | | 30 | |
| | | | 63.5 | 4.4 | 30 | | | |
| | | | | | | 535 | | |
| | | | Seamless Tubes | 88.9 | 6.3 | SA 106 Gr.B | 25 | |
| | | | | | | | 25 | |
| | | | Seamless Tubes | 76.1 | 5.6 | SA 192 | 50 | |
| | | | | 57 | 4.5 | | 100 | |
| | | | | 76.1 | 4.5 | | 100 | |
| | | | | | | 250 | | |
| | | | Seamless Tubes | 54 | 7.5 | SA210 GR C | 95 | |
| | | | | 88.9 | 12.5 | | 60 | |
| | | | | 88.9 | 11.13 | | 35 | |
| | | | | 60.3 | 8 | | 205 | |
| | | | | 54 | 8.5 | | 310 | |
| | | | | 60.3 | 6.7 | | 450 | |
| | | | | 127 | 12.5 | | 40 | |
| | | | | 70 | 6.7 | | 30 | |
| | | | | 70 | 9 | | 40 | |
| | | | | 60.3 | 8.5 | | 1350 | |
| | | | | 76.1 | 8.8 | | 25 | |
| | | | | 70 | 9 | | 25 | |
| 70 | 8.5 | 125 | | | | | | |
| | | | 2790 | | | | | |
| F/F219/1/6378K1 | BHEL, HARIDWAR | Mar 24, 2012 | Seamless Tubes | 13.5 | 1.8 | SA210 GR A1 | 1.3638 | Mumbai Traders who supplies Chinese Tubes |
| | | | | 76.1 | 4 | | 3.7353 | |
| | | | | 76.1 | 4.5 | | 4.1731 | |
| | | | | 76.1 | 10 | | 1.7122 | |
| | | | | 21.3 | 2.3 | | 18.112 | |
| | | | | 21.3 | 3.6 | | 0.8253 | |
| | | | | 22 | 3.5 | | 6.709 | |
| | | | | 33.7 | 2.6 | | 3.1418 | |
| | | | | 42.4 | 3.2 | | 1.6247 | |
| | | | | 48.3 | 3.2 | | 10.468 | |
| | | | | 60.3 | 5.54 | | 1.5717 | |
| | | | | 60.3 | 8 | | 1.0838 | |
| | | | | | | | | |
| | | | Seamless Tubes | 88.9 | 10 | SA 106 Gr.B | 9.7323 | |
| | | | | 139.7 | 25 | | 31.834 | |
| | | | | 168.3 | 4.78 | | 0.5785 | |
| | | | | 168.3 | 30 | | 16.377 | |
| | | | | 88.9 | 4 | | 21.783 | |
| | | | | 219.1 | 22.2 | | 21.567 | |
| | | | | 108 | 16 | | 1.8157 | |
| | | | | 114.3 | 6.02 | | 4.8243 | |
| | | | | 159 | 10 | | 7.3517 | |
| | | | | 159 | 20 | | 342.91 | |
| | | | | 168.3 | 7.11 | | 8.482 | |
| | | | | 168.3 | 21.95 | | 51.512 | |
| | | | | 168.3 | 25 | | 8.838 | |
| | | | | 193.7 | 5.4 | | 10.034 | |
| | | | | 114.3 | 17.5 | | 20.895 | |
| | | | 558.54 | | | | | |
| F/F219/2/0896K1 | BHEL, HARIDWAR | May 21, 2012 | Seamless Tubes | 88.9 | 6.3 | SA 106 Gr.B | 20.54 | Mumbai Traders who supplies Chinese Tubes |
| | | | | 114.3 | 12.5 | | 47.089 | |
| | | | | 168.3 | 16 | | 180.35 | |
| | | | | 219.1 | 16 | | 160.34 | |
| | | | | | | | 408.31 | |

Date: 20.09.2012

Smt. Indrani Dutt Majumder,
The Director General (Safeguards)
Bhai Vir Singh Sahitya Sadan: 2nd Floor,
Bhai Vir Singh Marg,
Gole Market,
New Delhi-110 001

Dear Madam:

Re: Imports of Certain Tubes, Pipes and Hollow Profiles, Seamless of iron, alloy or non-alloy steel (other than cast iron and stainless steel) including Line pipe of a kind used for oil and gas pipelines and Casing, tubing and drill pipe, of a kind used in drilling for oil or gas, whether hot finished or cold drawn or cold rolled, of an external diameter not exceeding 273.1 mm (O.D) with the tolerances as specified under relevant standards.

We are filing a petition for imposition of safeguard duty on the imports of Tubes, Pipes and Hollow Profiles, Seamless of iron, alloy or non-alloy steel (other than cast iron and stainless steel) including Line pipe of a kind used for oil and gas pipelines and Casing, tubing and drill pipe, of a kind used in drilling for oil or gas, whether hot finished or cold drawn or cold rolled, of an external diameter not exceeding 273.1 mm (O.D) with the tolerances as specified under relevant standards, (hereinafter referred to as "the subject goods" / "product under consideration") but excluding:

1. Seamless alloy-steel pipes, tubes and hollow profiles of specifications of ASTM A213/ASME SA 213 and ASTM A335/ASME SA 335 or equivalent BIS/DIN/BS/EN or any other equivalent specifications
2. Non-API and Patented Premium Joints / Premium Connections / Premium Threaded Tubes & Pipes of grades Q-125, 13CR, L-80, P110, C-90, C-95, T-90 & T-95 approved by ONGC.
3. All 13 Chromium (13CR) Grade Tubes and Pipes not included in (2) above and
4. Drill Collars

We have provided all necessary and relevant information in the enclosed Petition and remain willing to provide any further information that you may require. Further, we invite and request the representatives of your office to conduct the verification at our premises at the earliest.



In view of the increased imports of the subject goods into India and serious injury and threat of serious injury faced by the Domestic Industry, we request you to kindly initiate the investigation and recommend the imposition of duty, so that the legitimate interests of the Indian Industry are protected.

We have appointed the following person/firm/company in India to represent us in the said matter

Economic Laws Practice
1502, Dalamal Towers
Nariman Point
Mumbai - 4000 21

M/s Economic Laws Practice is authorized, inter-alia, for the following:

1. To receive communications from the Director General of Safeguards.
2. To make submissions on our behalf.
3. To appear for and on our behalf

Having made due enquiry, we hereby certify that the information contained in the Petition is true, complete and correct to the best of our knowledge and belief, on the basis of the record available and generally maintained by the company, and nothing material has been concealed or misrepresented.

Sincerely,



Sallil Taneja
Chief Executive Officer

Date: 20.09.2012

Smt. Indrani Dutt Majumder,
The Director General (Safeguards)
Bhai Vir Singh Sahitya Sadan: 2nd Floor,
Bhai Vir Singh Marg,
Gole Market,
New Delhi-110 001

Dear Madam:

Re: Imports of Certain Tubes, Pipes and Hollow Profiles, Seamless of iron, alloy or non-alloy steel (other than cast iron and stainless steel) including Line pipe of a kind used for oil and gas pipelines and Casing, tubing and drill pipe, of a kind used in drilling for oil or gas, whether hot finished or cold drawn or cold rolled, of an external diameter not exceeding 273.1 mm (O.D) with the tolerances as specified under relevant standards.

We are filing a petition for imposition of safeguard duty on the imports of Tubes, Pipes and Hollow Profiles, Seamless of iron, alloy or non-alloy steel (other than cast iron and stainless steel) including Line pipe of a kind used for oil and gas pipelines and Casing, tubing and drill pipe, of a kind used in drilling for oil or gas, whether hot finished or cold drawn or cold rolled, of an external diameter not exceeding 273.1 mm (O.D) with the tolerances as specified under relevant standards, (hereinafter referred to as "the subject goods" / "product under consideration") but excluding:

1. Seamless alloy-steel pipes, tubes and hollow profiles of specifications of ASTM A213/ASME SA 213 and ASTM A335/ ASME SA 335 or equivalent BIS/DIN/BS/EN or any other equivalent specifications
2. Non-API and Patented Premium Joints / Premium Connections / Premium Threaded Tubes & Pipes of grades Q-125, 13CR, L-80, P110, C-90, C-95, T-90 & T-95 approved by ONGC.
3. All 13-Chromium (13CR) Grade Tubes and Pipes not included in (2) above and
4. Drill Collars

We have provided all necessary and relevant information in the enclosed Petition and remain willing to provide any further information that you may require. Further, we invite and request the representatives of your office to conduct the verification at our premises at the earliest.

In view of the increased imports of the subject goods into India and serious injury and threat of serious injury faced by the Domestic Industry, we request you to kindly initiate the investigation and recommend the imposition of duty, so that the legitimate interests of the Indian Industry are protected.

We have appointed the following person/firm/company in India to represent us in the said matter



Contd.../2

Economic Laws Practice
1502, Dalamal Towers
Nariman Point
Mumbai - 4000 21

M/s Economic Laws Practice is authorized, inter-alia, for the following:

1. To receive communications from the Director General of Safeguards.
2. To make submissions on our behalf.
3. To appear for and on our behalf

Having made due enquiry, we hereby certify that the information contained in the Petition is true, complete and correct to the best of our knowledge and belief, on the basis of the record available and generally maintained by the company, and nothing material has been concealed or misrepresented.

Thanking you

Yours faithfully

JINDAL SAW LIMITED

DHEERAN TILWANI
AUTHORISED SIGNATORY





MAHARASHTRA SEAMLESS LIMITED

MUMBAI OFFICE : 402, SARJAN PLAZA, 100 DR. ANNIE BESANT ROAD, WORLI, MUMBAI - 400 018.
TEL : 2490 2570 / 72 / 74 / 76 / 78 • FAX : 2492 5473
E-mail : mslnum@msnl.net.in

Date: 20.09.2012

Smt. Indrani Dutt Majumder,
The Director General (Safeguards)
Bhai Vir Singh Sahitya Sadan: 2nd Floor,
Bhai Vir Singh Marg,
Gole Market,
New Delhi-110 001

Dear Madam:

Re: Imports of Certain Tubes, Pipes and Hollow Profiles, Seamless of iron, alloy or non-alloy steel (other than cast iron and stainless steel) including Line pipe of a kind used for oil and gas pipelines and Casing, tubing and drill pipe, of a kind used in drilling for oil or gas, whether hot finished or cold drawn or cold rolled, of an external diameter not exceeding 273.1 mm (O.D) with the tolerances as specified under relevant standards.

A Petition has been filed by ISMT Ltd and Jindal SAW Ltd. for the imposition of transitional safeguard duty on the imports into India of Tubes, Pipes and Hollow Profiles, Seamless of iron, alloy or non-alloy steel (other than cast iron and stainless steel) including Line pipe of a kind used for oil and gas pipelines and Casing, tubing and drill pipe, of a kind used in drilling for oil or gas, whether hot finished or cold drawn or cold rolled, of an external diameter not exceeding 273.1 mm (O.D) with the tolerances as specified under relevant standards, (hereinafter referred to as "the subject goods" / "product under consideration") but excluding:

1. Seamless alloy-steel pipes, tubes and hollow profiles of specifications of ASTM A213/ASME SA 213 and ASTM A335/ ASME SA 335 or equivalent BIS/DIN/BS/EN or any other equivalent specifications
2. Non-API and Patented Premium Joints / Premium Connections / Premium Threaded Tubes & Pipes of grades Q-125, 13CR, L-80, P110, C-90, C-95, T-90 & T-95 approved by ONGC.
3. All 13 Chromium (13CR) Grade Tubes and Pipes not included in (2) above and
4. Drill Collars

Contd. To Page 2. ...

JINDAL
S. P. JINDAL GROUP

REGD. OFFICE & WORKS : PIPE NAGAR, VILLAGE SUKELI, N. H. 17, B.K.G. ROAD, TAL. ROHA, DIST. RAIGAD, MAHARASHTRA - 402 126 (INDIA)
TEL : 02194-238511, 238512, 238516, 238567, 238570 FAX : 02194-238513 E-MAIL : seamless@sancharyaLn

HEAD OFFICE : PLOT NO. 30, INSTITUTIONAL SECTOR - 44, GURGAON - 122 001.
TEL : 0124-2574325 / 26 • FAX : 0124-2574327 • E-MAIL : contact@mahaseam.com • Website : www.jindal.com

KOLKATA OFFICE : SURHSAGAR APARTMENTS, FLAT NO. 8A & B, 8TH FLOOR, 2/5, SARAT BOSE ROAD, KOLKATA - 700020
TEL : 033-24559982, 24540053, 24540056 FAX : 033-24742290 E-MAIL : mail@cal.vsnl.net.in

CHENNAI OFFICE : 3A, ROYAL COURT, 41, VENKATANARAYAN ROAD, T. NAGAR, CHENNAI - 600 017,
TEL : 044-24340231, 24328747 • FAX : (044) 24347990

(2)

We hereby express our support to the said petition and request you to kindly initiate the investigation and recommend the imposition of duty, in order to safeguard the Industry.

The details of the Product under Consideration manufactured by our Company are as under:

| S. No. | Particulars | 2009-10 | | 2010-11 | | 2011-12 | | 2012-13(Q1) | |
|--------|----------------------|-----------|--------------------|-----------|--------------------|------------|--------------------|-------------|--------------------|
| | | Qty. (MT) | Value Rs. In lacks | Qty. (MT) | Value Rs. In lacks | Qty. (MT) | Value Rs. In lacks | Qty. (MT) | Value Rs. In lacks |
| 1 | Installed capacity | 3,50,000 | | 3,50,000 | | 3,66,666.7 | | 1,37,500 | |
| 2 | Production (Total) | 1,41,804 | | 1,60,506 | | 1,80,213 | | 37,541 | |
| 3 | Capacity utilization | 40.52 | | 48.43 | | 49.15 | | 27.30 | |
| 4 | Domestic sales | 97,724 | | 86,758 | | 79,212 | | 16,232 | |
| 5 | Export sales | 46,614 | | 76,914 | | 1,03,057 | | 19,185 | |
| 6 | Inventory | 6,013 | | 12,845 | | 10,792 | | 12,208 | |

In case the Hon'ble Director General of Safeguards requires any additional information as regards our support, we remain available to co-operate and provide the same to your office.

Thanking you.

Sincerely,

For Maharashtra Seamless Limited

S. K. SINGHAL
(President)

STATEMENT OF PRICE UNDER-CUTTING

| | Unit | 2009-2010 | 2010-2011 | 2011-12 | 2012-13 (Annualised) |
|-----------------------|--------|-----------|-----------|----------|-------------------------|
| Total Imports | MT | 1,55,247 | 1,94,363 | 2,70,746 | 4,09,310 |
| Import Price (Rs./MT) | Rs./MT | 52,032 | 48,253 | 57,042 | 57,843 |
| Basic Customs Duty | % | 10 | 10 | 10 | 10 |
| Landed Price | Rs./MT | 57,808 | 51,334 | 55,347 | 51,357 |
| Net Sales Realisation | Rs./MT | **** | **** | **** | **** |
| Price Under-cutting | Rs./MT | **** | **** | **** | **** |
| Price Under-cutting | % | **** | **** | **** | **** |
| Price Under-Cutting | % | 20-30 | 20-30 | 20-30 | 30-40 |

**** - Business Sensitive Information which is not amenable to summarisation and is not available in the public domain, has been claimed as Confidential.
Information has been provided in the indexed form to the extent possible

Annexure 16 – Cost of Production

Business Proprietary Sensitive information relating to the Costs of the Applicants which is not available in the public domain and is not amenable to summarisation has been requested to be kept as confidential.

Annexure 17 – Restructuring Plan

Business Proprietary Sensitive information relating to the Costs of the Applicants which is not available in the public domain and is not amenable to summarisation has been requested to be kept as confidential.